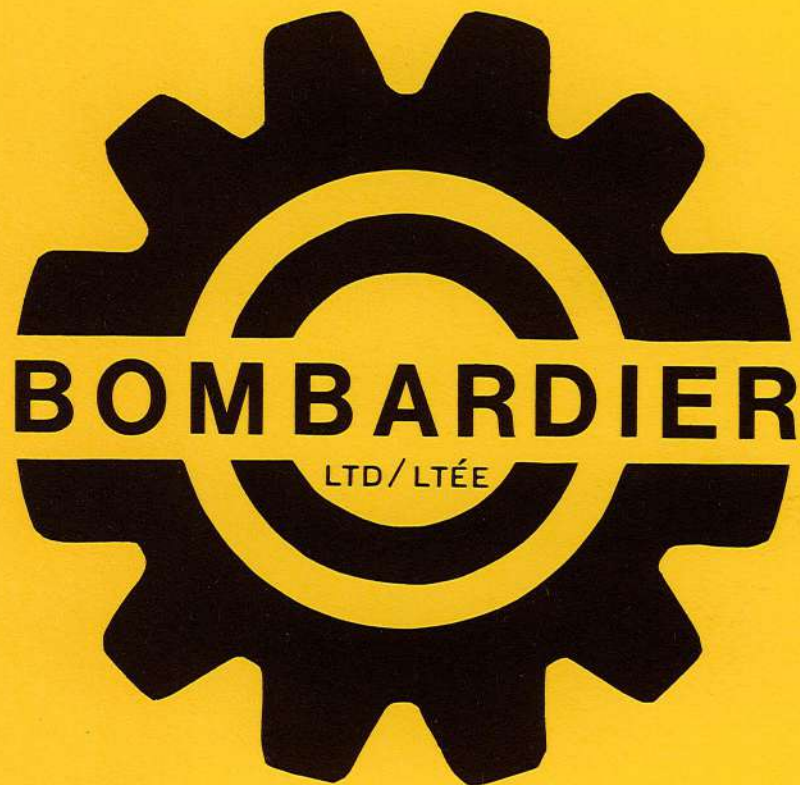


MANUEL
ski-doo
MANUAL



PARTS CATALOG / CATALOGUE DE PIÈCES

1971

VALCOURT QUEBEC CANADA

GENERAL INFORMATION PARTS CATALOGUE

ILLUSTRATIONS

The illustrations figuring in this parts catalogue show the typical construction of the different assemblies and, in all cases, may not reproduce the full detail or exact shape of the parts shown, however, they represent parts which have the same or a similar function.

BOMBARDIER Ltd./Ltée

SYMBOLS USED IN THIS PARTS CATALOGUE
AR - in the "Quantity" column means "Use as required".

ILLUSTRATIONS

Les illustrations qui figurent dans ce catalogue de pièces montrent la construction typique des ensembles variés et dans tous les cas peuvent ne pas indiquer la forme exacte, ou le détail de la pièce voulue; cependant, elles ont pour but d'identifier des pièces qui ont la même fonction ou une fonction similaire -

INFORMATION GÉNÉRALE CATALOGUE/PIÈCES



SECTION 1

1-1 TRACK & SUSPENSION

- TRACK
- DRIVE AXLE
- WHEEL
- SUSPENSION
- SLIDE

1-2 TRANSMISSION

- DRIVE PULLEY
- DRIVE BELT
- DRIVEN PULLEY
- BRAKE
- PULLEY GUARD

1-3 CHAIN CASE OR GEAR BOX

1-4 SKI

- SKI
- RUNNER SHOE
- LEAF SPRING

1-5 STEERING

- UPPER COLUMN
- STEERING BRACKET
- HANDLE BAR
- HANDLE
- HAND HANDLE
- TIE ROD
- SKI LEG

SECTION 2

2-1 ENGINE

- SUPPORT
- EXHAUST

2-2 ENGINE ROTAX

- ENGINE
- EXHAUST

2-3 FUEL

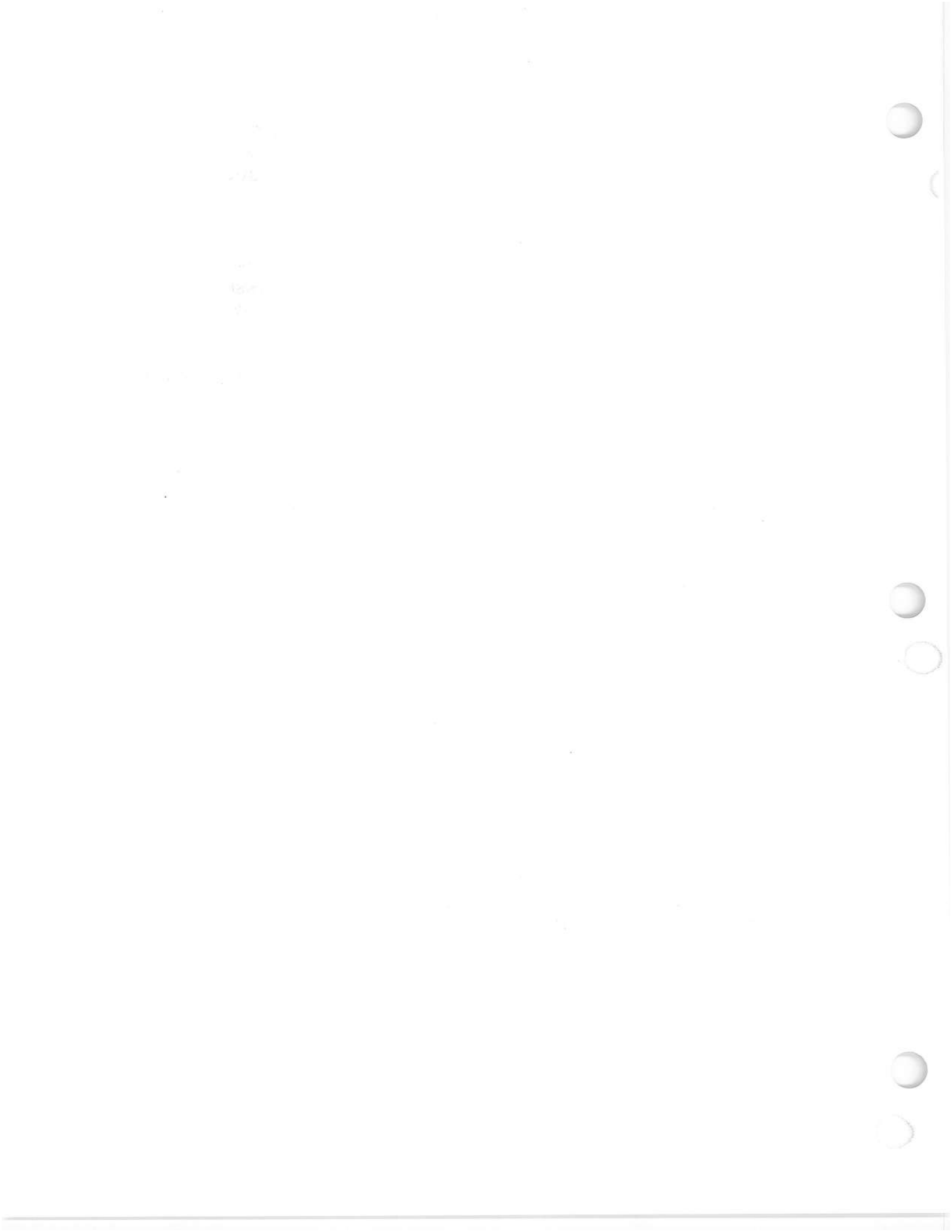
- TANK
- AIR INTAKE

2-4 CARBURATOR



SECTION 3	[3-1 ELECTRICAL	[HARNESS SWITCHES LIGHT (BULB) TERMINALS
		3-2 LAMP HOUSING	[HEAD LAMP MECHANISM TAIL LAMP
		3-3 ROTAX	[MAGNETO GENERATOR STARTER
SECTION 4	[4-1 FRAME	[FRONT BUMPER REAR BUMPER SEAT BACKREST
		4-2 HOOD	[CAB DASH PANEL CONSOLE
SECTION 5	[5-1 SKI-BOOSE	[MK I [SKI MK II FRAME BODY
		5-2 ASSEMBLY	[CARRY BOOSE
		5-3 ACCESSORIES	[ACCESSORIES
		5-4 TOOLS & GASKET SET	[DRIVE SPROCKET
SECTION 6		6-1 MISCELLANEOUS		





SECTION 1

1-1 TRACK & SUSPENSION

1-2 TRANSMISSION

1-3 CHAIN CASE OR GEAR BOX

1-4 SKI

1-5 STEERING



Handwritten notes on the left margin, including the number '10' and some illegible text.

10/10/10

10/10/10

10/10/10

10/10/10

10/10/10

10/10/10

10/10/10

10/10/10

10/10/10

10/10/10

10/10/10



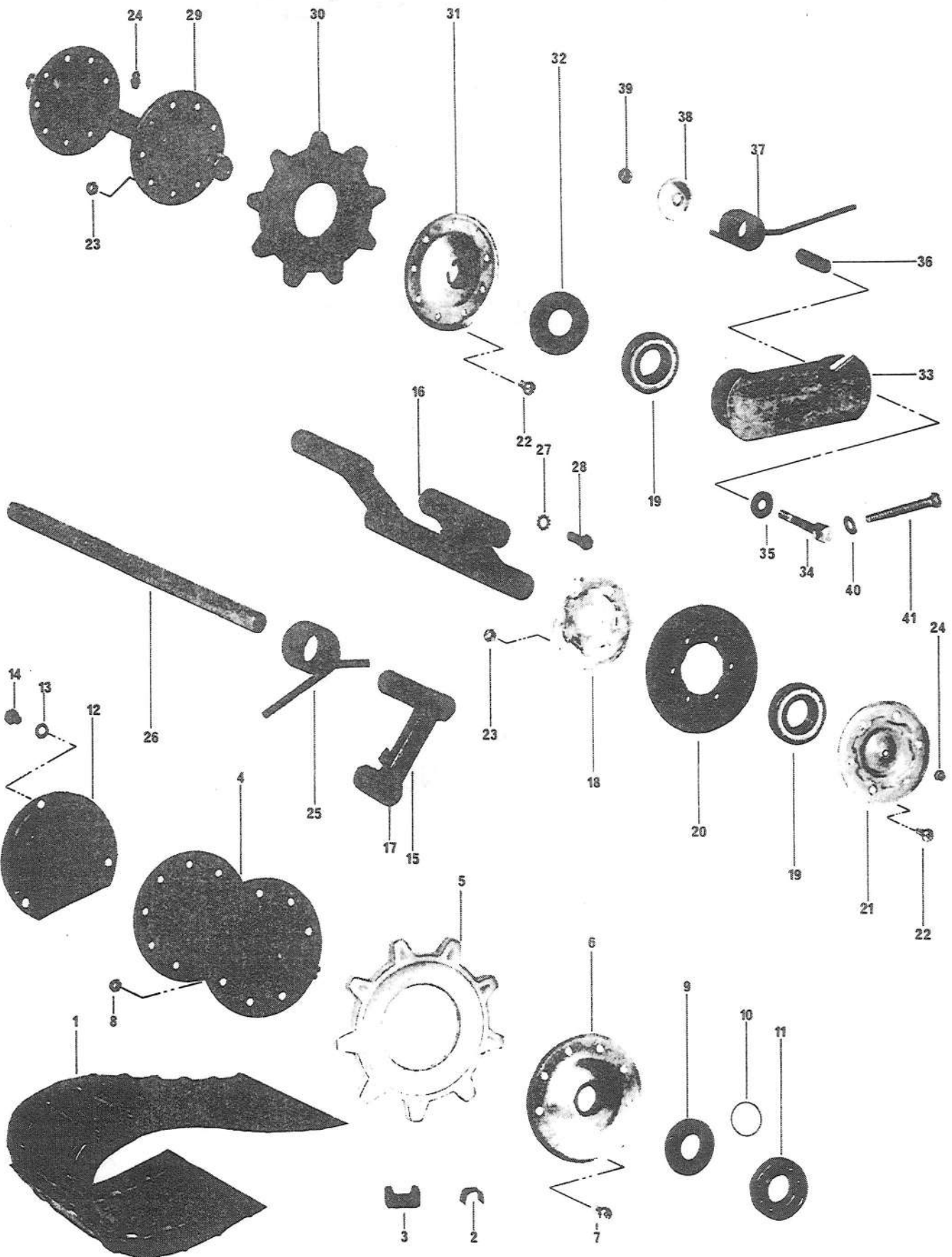
TRACK & SUSPENSION

SECTION 1-1

TRACK
DRIVE AXLE
WHEEL
SUSPENSION
SLIDE



SUSPENSION (ELAN)

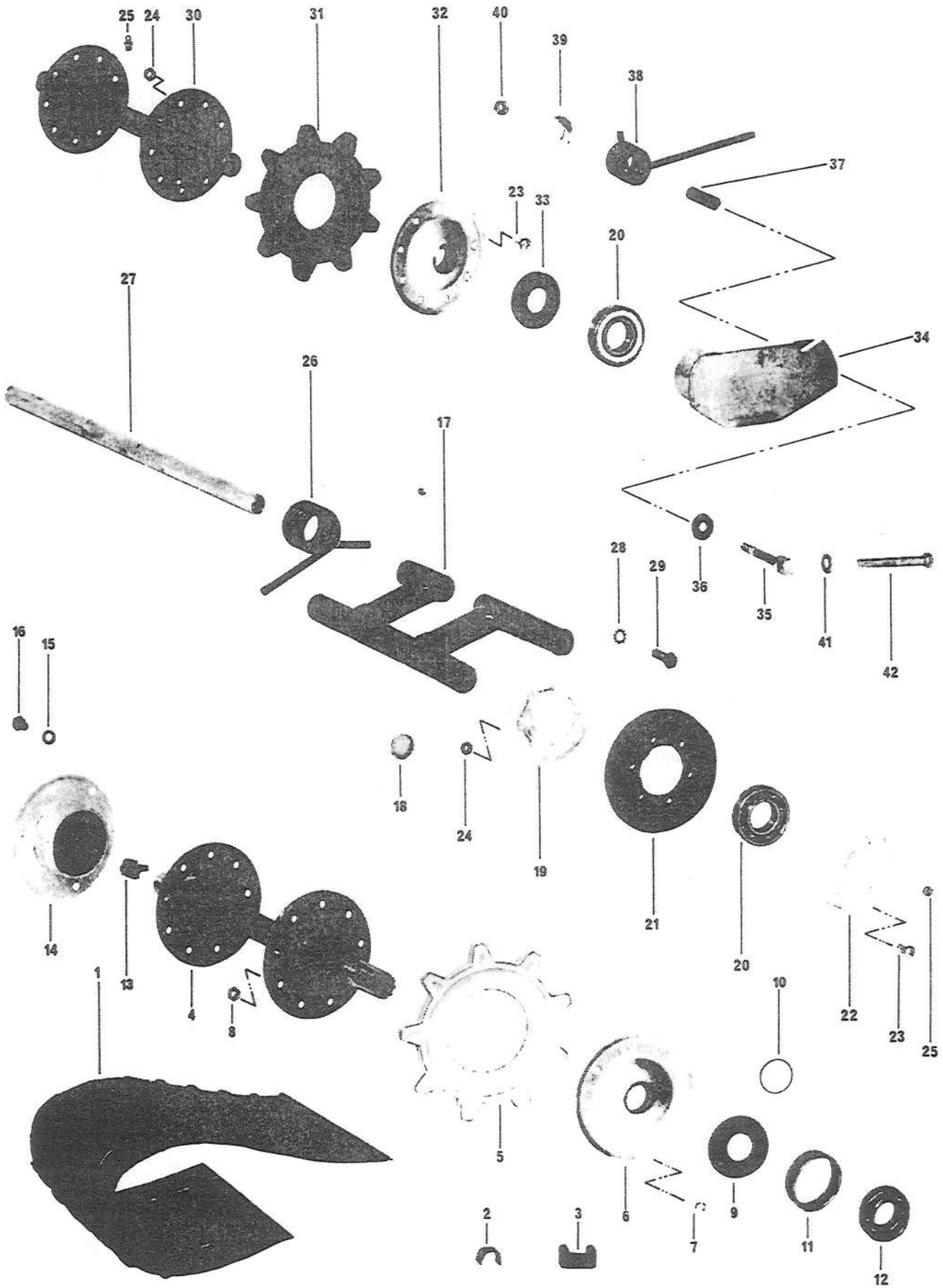


SUSPENSION (ELAN)

1971

ITEM NO.	PART NO.	DESCRIPTION	QUANTITY	
			250	250E
1	570 0013	Track W/Insert	1	1
2	570 0003	Track Insert	AR	AR
3	529 0003	Insert Block (Tool)	AR	AR
4	501 0035	Drive Axle	1	1
5	414 0001	Sprocket	2	2
6	501 0036	Mobile Flange	2	2
7	320 9102	Screw	18	18
8	386 6119	Nut	18	18
9	581 1017	Seal W/Spring	2	2
10	414 0153	Spring For Seal	2	2
11	405 4002	Bearing	2	2
12	501 0032	End Bearing Housing	1	1
13	392 0019	Washer	3	3
14	300 0001	Screw	3	3
15	502 0024	Center Wheel Support	2	2
15	502 0028	Center Wheel Support	1	1
16	502 0025	Side Wheel Support	3	3
17	502 0011	Cap	12	12
18	502 0015	Inner Flange	10	10
19	405 4002	Bearing (Wheel & Rear Hub)	12	12
20	570 0205	Wheel Tire	8	8
20	570 0207	Wheel Tire	2	2
21	502 0016	Outer Flange	10	10
22	320 9062	Screw (Wheel & Rear Hub)	78	78
23	386 6013	Nut (Wheel & Rear Hub)	78	78
24	408 2001	Grease Fitting (Wheel & Rear Hub)	11	11
25	502 0027	Spring 9/32" Dia.	3	3
26	502 0008	Cross Shaft	3	3
27	399 8001	Lock Washer	6	6
28	309 8036	Screw	6	6
29	503 0073	Rear Hub	1	1
30	570 0101	Sprocket	2	2
31	501 0036	Mobile Flange	2	2
32	570 0301	Seal	2	2
33	503 0068	R.H. Link Plate	1	1
33	503 0069	L.H. Link Plate	1	1
34	503 0028	Adjuster Eye Bolt	2	2
35	503 0044	Hardened Washer	2	2
36	503 0029	Adjuster Sleeve	2	2
37	414 0670	R.H. Spring	1	1
37	414 0671	L.H. Spring	1	1
38	503 0016	Retainer Washer	2	2
39	389 8037	Nut	2	2
40	399 9007	Washer	2	2
41	309 8027	Screw	2	2

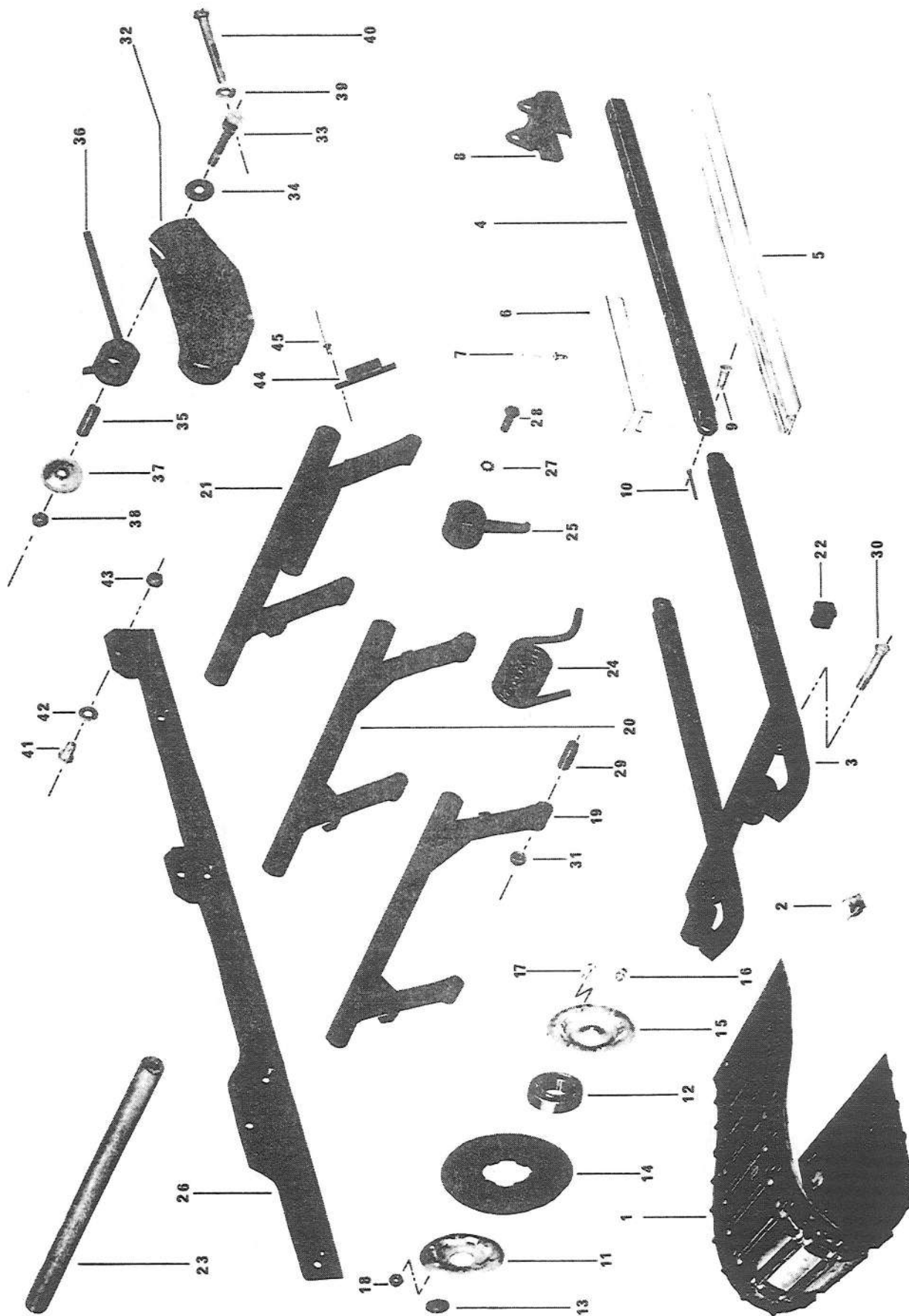




ITEM NO.	PART NO.	DESCRIPTION	QUANTITY					
			300	335	335E	399	TNT 292	TNT 340
1	570 0006	Track W/Insert	1	1	1	1	1	1
2	570 0003	Track Insert	AR	AR	AR	AR	AR	AR
3	529 0003	Insert Block (Tool)	AR	AR	AR	AR	AR	AR
4	501 0035	Drive Axle	1	1	1			
4	501 0037	Drive Axle				1		
4	501 0038	Drive Axle					1	1
5	414 0001	Sprocket	2	2	2	2	2	2
6	501 0036	Mobile Flange	2	2	2	2	2	2
7	320 9102	Screw	18	18	18	18	18	18
8	386 6019	Nut	18	18	18	18	18	18
9	581 1017	Seal W/Spring	2	2	2	2	2	2
10	414 0153	Spring For Seal	2	2	2	2	2	2
11	501 0015	Spacer				1		
12	405 4002	Bearing	2	2	2	2	2	2
13	572 0101	Drive Insert					1	1
14	501 0032	End Bearing Housing	1	1	1	1		
14	501 0034	End Bearing Housing					1	1
15	392 0019	Washer	3	3	3	3	3	3
16	300 0000	Screw	3	3	3	3	3	3
17	502 0002	Wheel Support	6	6	6	6	6	6
18	502 0011	Cap	12	12	12	12	12	12
19	502 0015	Inner Flange	12	12	12	12	12	12
20	405 4002	Bearing (Wheel & Rear Hub)	14	14	14	14	14	14
21	570 0205	Wheel Tire (With Rib)	12	12	12	12	12	12
22	502 0016	Outer Flange	12	12	12	12	12	12
23	320 9062	Screw (Wheel & Rear Hub)	90	90	90	90	90	90
24	386 6013	Nut (Wheel & Rear Hub)	90	90	90	90	90	90
25	408 2001	Grease Fitting (wheel & rear hub)	13	13	13	13	13	13
26	502 0026	Spring (Front) 1/4" Dia.	4	4	4	4	4	4
26	502 0027	Spring (Rear) 9/32" Dia.	2	2	2	2	2	2
27	502 0008	Cross Shaft	3	3	3	3	3	3
28	399 8001	Washer	6	6	6	6	6	6
29	309 8036	Screw	6	6	6	6	6	6
30	503 0073	Rear Hub	1	1	1	1	1	1
31	570 0101	Sprocket	2	2	2	2		
31	414 0327	Sprocket					2	2
32	501 0036	Mobile Flange	2	2	2	2	2	2
33	570 0301	Seal	2	2	2	2	2	2
34	503 0071	R.H. Link Plate	1	1	1	1	1	1
34	503 0072	L.H. Link Plate	1	1	1	1	1	1
35	503 0074	Adjuster Eye Bolt	2	2	2	2	2	2
36	503 0079	Hardened Washer	2	2	2	2	2	2
37	503 0075	Adjuster Sleeve	2	2	2	2	2	2
38	503 0088	R.H. Spring	1	1	1	1	1	1
38	503 0089	L.H. Spring	1	1	1	1	1	1
39	503 0076	Retainer Washer	2	2	2	2	2	2
40	389 8036	Nut	2	2	2	2	2	2
41	399 9006	Washer	2	2	2	2	2	2
42	309 8037	Screw	2	2	2	2	2	2



SUSPENSION SLIDING (T'NT 15'')

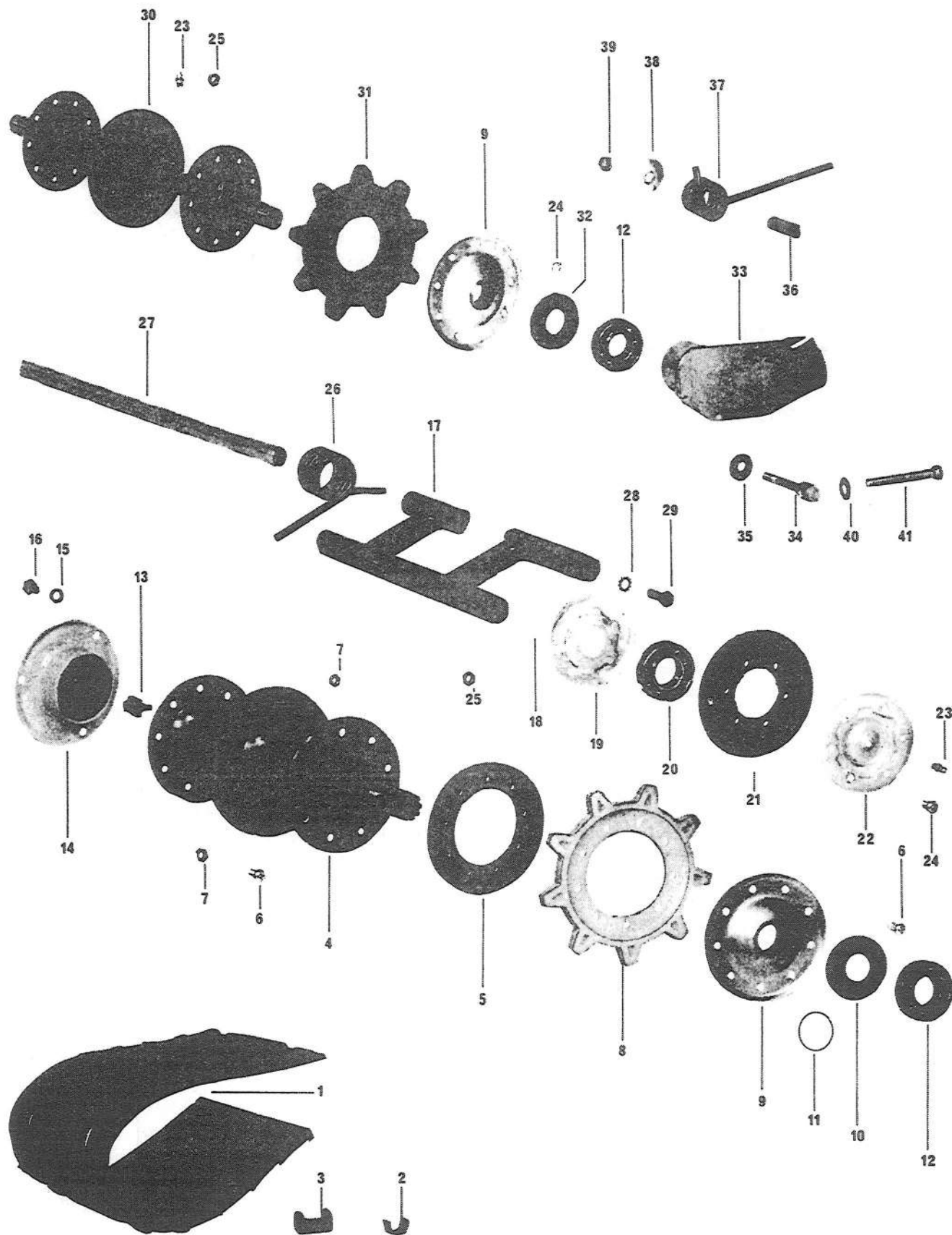


SUSPENSION SLIDING (T'NT 15")

1971

ITEM NO.	PART NO.	DESCRIPTION	QUANTITY	
			292	340
1	570 0010	Track W/Insert	1	1
2	570 0106	Track Insert	AR	AR
3	503 0057	Runner Tube (Front)	1	1
4	503 0059	Runner Tube (Rear)	2	2
5	560 3003	Slider Shoe	4	4
6	560 3002	Sliding Pad	6	6
7	390 4022	Rivet	44	44
8	503 0055	Slider	6	6
9	414 0340	Clevis Pin	2	2
10	371 0011	Cotter Pin	2	2
11	502 0015	Inner Flange	4	4
12	405 4002	Bearing	4	4
13	502 0011	Cap	4	4
14	570 0206	Wheel Tire	4	4
15	502 0016	Outer Flange	4	4
16	408 2001	Grease Fitting	4	4
17	320 1062	Screw	24	24
18	387 3013	Nut	24	24
19	503 0085	Cross Support (Front)	1	1
20	503 0086	Cross Support (Center)	2	2
21	503 0092	Cross Support (Rear)	1	1
22	570 1728	End Cap	2	2
23	503 0087	Cross Shaft	4	4
24	414 0680	R.H. Front Spring	1	1
24	414 0681	L.H. Front Spring	1	1
25	414 0682	R.H. Spring	3	3
25	414 0683	L.H. Spring	3	3
26	503 0083	R.H. Side Member	1	1
26	503 0084	L.H. Side Member	1	1
27	399 8001	Washer	8	8
28	309 8036	Screw	8	8
29	503 0054	Sleeve	8	8
30	300 1047	Screw	8	8
31	389 8037	Nut	8	8
32	503 0071	R.H. Link Plate	1	1
32	503 0072	L.H. Link Plate	1	1
33	503 0074	Adjuster Eye Bolt	2	2
34	503 0079	Hardened Washer	2	2
35	503 0077	Adjuster Sleeve	2	2
36	503 0090	R.H. Spring	1	1
36	503 0091	L.H. Spring	1	1
37	503 0076	Retainer Washer	2	2
38	389 8036	Nut	2	2
39	399 9006	Washer	2	2
40	309 8037	Screw	2	2
41	300 1041	Screw	6	6
42	399 9007	Washer	6	6
43	386 6022	Nut	6	6
44	570 0305	Stop Bonding	2	2
45	390 4025	Rivet	4	4

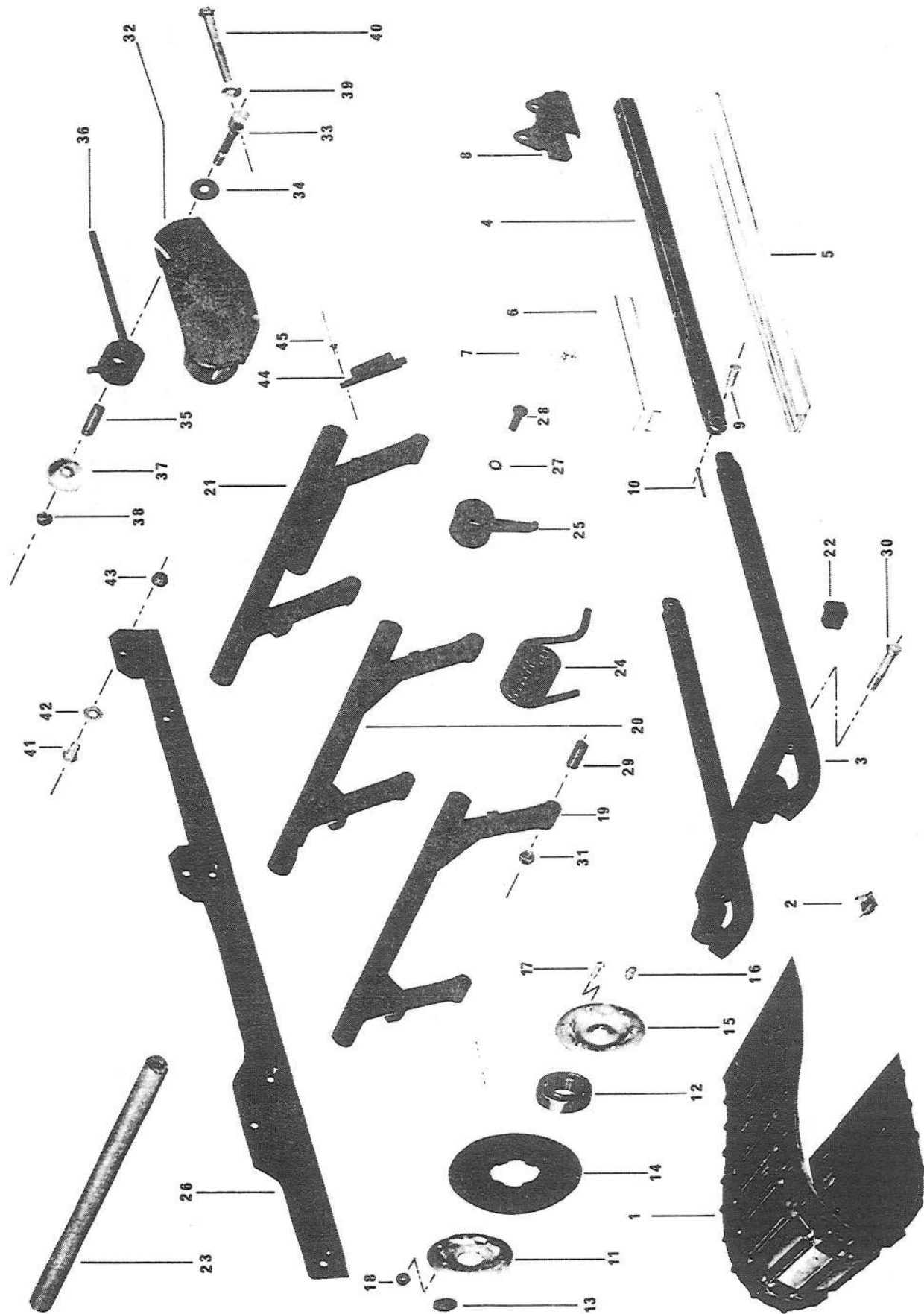




ITEM NO.	PART NO.	DESCRIPTION	QUANTITY						
			S 335	N 399	N 399E	N 640E	T'NT 440	T'NT 640	T'NT 775
1	570 0007	Track W/Insert	1	1	1	1	1	1	1
2	570 0003	Track Insert	AR	AR	AR	AR	AR	AR	AR
3	529 0003	Insert Block (Tool)	AR	AR	AR	AR	AR	AR	AR
3	501 0039	Drive Axle W/Idler	1	1	1				
4	501 0042	Drive Axle W/Idler					1		
4	501 0041	Drive Axle W/Idler				1		1	1
5	570 0304	Idler (Drive axle & rear hub)	2	2	2	2	2	2	2
6	320 4062	Screw (Idler & Drive Axle)	36	36	36	36	36	36	36
7	386 6013	Nut (Idler & Drive Axle)	36	36	36	36	36	36	36
8	414 0001	Sprocket	2	2	2	2	2	2	2
9	501 0036	Mobile Flange (D-Axle & rear hub)	4	4	4	4	4	4	4
10	581 1017	Seal W/Spring	2	2	2	2	2	2	2
11	414 0153	Spring For Seal	2	2	2	2	2	2	2
12	405 4002	Bearing (D-Axle & R-Hub)	4	4	4	4	4	4	4
13	572 0101	Drive Insert				1	1	1	1
14	501 0032	End Bearing Housing	1	1	1				
14	501 0034	End Bearing Housing				1	1	1	1
15	392 0019	Washer	3	3	3	3	3	3	3
16	300 0000	Screw	3	3	3	3	3	3	3
17	502 0021	Wheel Support	6	6	6	6	6	6	6
18	502 0011	Cap	12	12	12	12	12	12	12
19	502 0015	Inner Flange	12	12	12	12	12	12	12
20	405 4002	Bearing	12	12	12	12	12	12	12
21	570 0205	Wheel Tire	12	12	12				
21	570 0206	Wheel Tire W/Cotton				12	12	12	12
22	502 0016	Outer Flange	12	12	12	12	12	12	12
23	408 2001	Grease Fitting (Wheel & rear hub)	13	13	13	13	13	13	13
24	320 1062	Screw (Wheel & R- Hub)	90	90	90	90	90	90	90
25	387 3013	Nut (Wheel & R-Hub)	90	90	90	90	90	90	90
26	502 0026	Spring (Front) 1/4 Dia	4	4	4	4	4	4	4
26	502 0027	Spring (Rear) 9/32 Dia	2	2	2	2	2	2	2
27	502 0014	Cross Shaft	3	3	3	3	3	3	3
28	399 8001	Tooth Lock Washer	6	6	6	6	6	6	6
29	309 8036	Screw	6	6	6	6	6	6	6
30	503 0078	Rear Hub	1	1	1	1	1	1	1
31	570 0101	Sprocket	2	2	2				
31	414 0327	Sprocket				2	2	2	2
32	570 0301	Seal	2	2	2	2	2	2	2
33	503 0071	R.H. Link Plate	1	1	1	1	1	1	1
33	503 0072	L.H. Link Plate	1	1	1	1	1	1	1
34	503 0074	Adjuster Eye Bolt	2	2	2	2	2	2	2
35	503 0079	Hardened Washer	2	2	2	2	2	2	2
36	503 0075	Adjuster Sleeve	2	2	2	2	2	2	2
37	503 0088	R.H. Spring	1	1	1	1	1	1	1
37	503 0089	L.H. Spring	1	1	1	1	1	1	1
38	503 0076	Retainer Washer	2	2	2	2	2	2	2
39	389 8037	Nut	2	2	2	2	2	2	2
40	399 9006	Washer	2	2	2	2	2	2	2
41	309 8037	Screw	2	2	2	2	2	2	2



SUSPENSION SLIDING (T'NT 18")



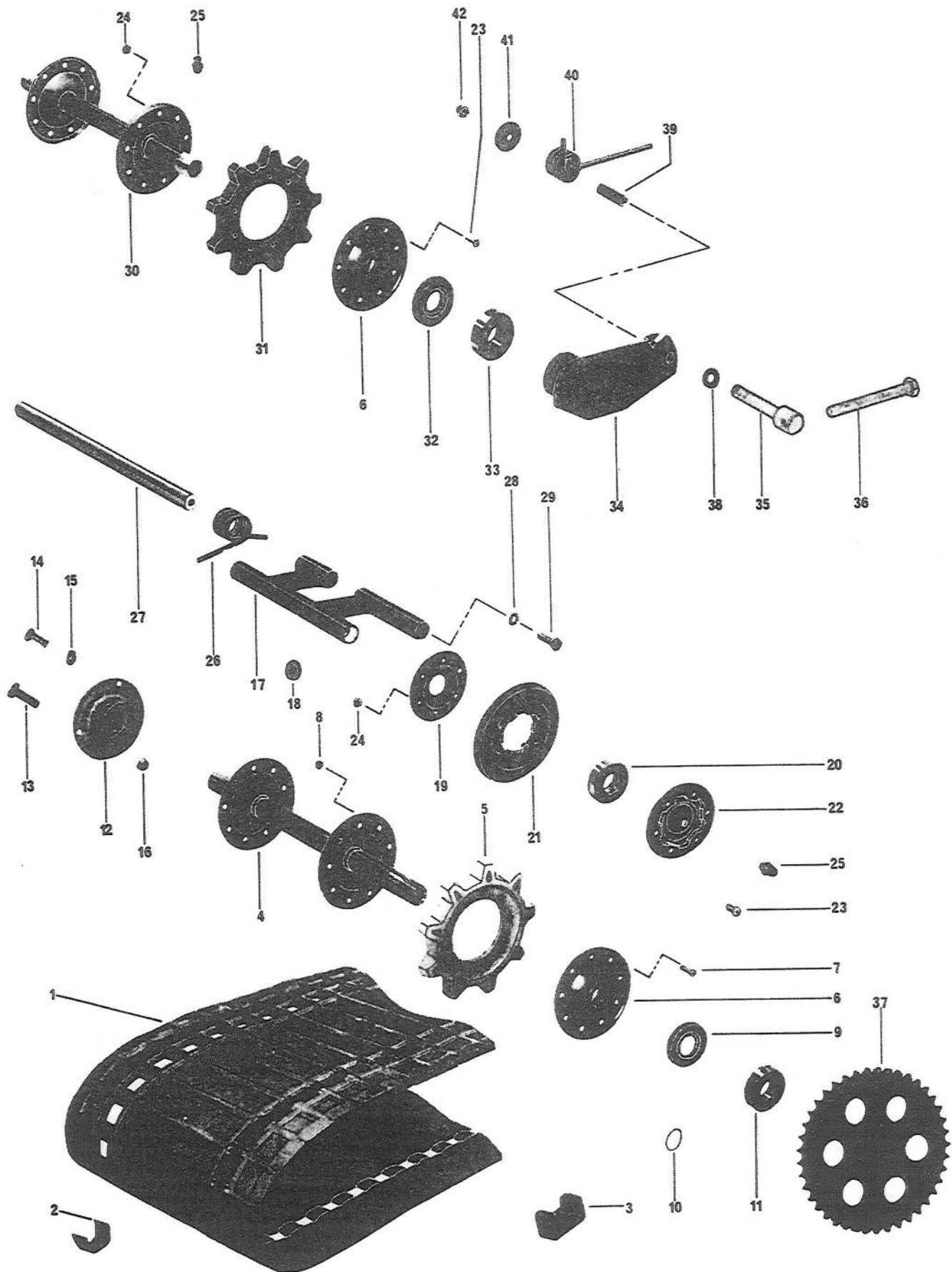
SUSPENSION SLIDING (T'NT 18")

1971

ITEM NO.	PART NO.	DESCRIPTION	QUANTITY		
			440	640	775
1	570 0009	Track W/Insert	1	1	1
2	570 0106	Track Insert	ARR	AR	AR
3	503 0065	Runner Tube (Front)	1	1	1
4	503 0059	Runner Tube (Rear)	2	2	2
5	560 3003	Slider Shoe	4	4	4
6	560 3002	Sliding Pad	6	6	6
7	390 4022	Rivet	44	44	44
8	503 0055	Slider	6	6	6
9	414 0340	Clevis Pin	2	2	2
10	371 0011	Cotter Pin	2	2	2
11	502 0015	Inner Flange	4	4	4
12	405 4002	Bearing	4	4	4
13	502 0011	Cap	4	4	4
14	570 0206	Wheel Tire	4	4	4
15	502 0016	Outer Flange	4	4	4
16	408 2001	Grease Fitting	4	4	4
17	320 1062	Screw	24	24	24
18	387 3013	Nut	24	24	24
19	503 0080	Cross Support (Front)	1	1	1
20	503 0081	Cross Support (Center)	2	2	2
21	503 0093	Cross Support (Rear)	1	1	1
22	570 1728	End Cap	2	2	2
23	503 0082	Cross Shaft	4	4	4
24	414 0680	R.H. Front Spring	1	1	1
24	414 0681	L.H. Front Spring	1	1	1
25	414 0682	R.H. Spring	3	3	3
25	414 0683	L.H. Spring	3	3	3
26	503 0083	R.H. Side Member	1	1	1
26	503 0084	L.H. Side Member	1	1	1
27	399 8001	Washer	8	8	8
28	309 8036	Screw	8	8	8
29	503 0054	Sleeve	8	8	8
30	300 1047	Screw	8	8	8
31	389 8037	Nut	8	8	8
32	503 0071	R.H. Link Plate	1	1	1
32	503 0072	L.H. Link Plate	1	1	1
33	503 0074	Adjuster Eye Bolt	2	2	2
34	503 0079	Hardened Washer	2	2	2
35	503 0077	Adjuster Sleeve	2	2	2
36	503 0090	R.H. Spring	1	1	1
36	503 0091	L.H. Spring	1	1	1
37	503 0076	Retainer Washer	2	2	2
38	389 8037	Nut	2	2	2
39	399 9006	Washer	2	2	2
40	309 8037	Screw	2	2	2
41	300 1041	Screw	6	6	6
42	399 9007	Washer	6	6	6
43	386 6022	Nut	6	6	6
44	570 0305	Stop Bonding	2	2	2
45	390 4025	Rivet	4	4	4



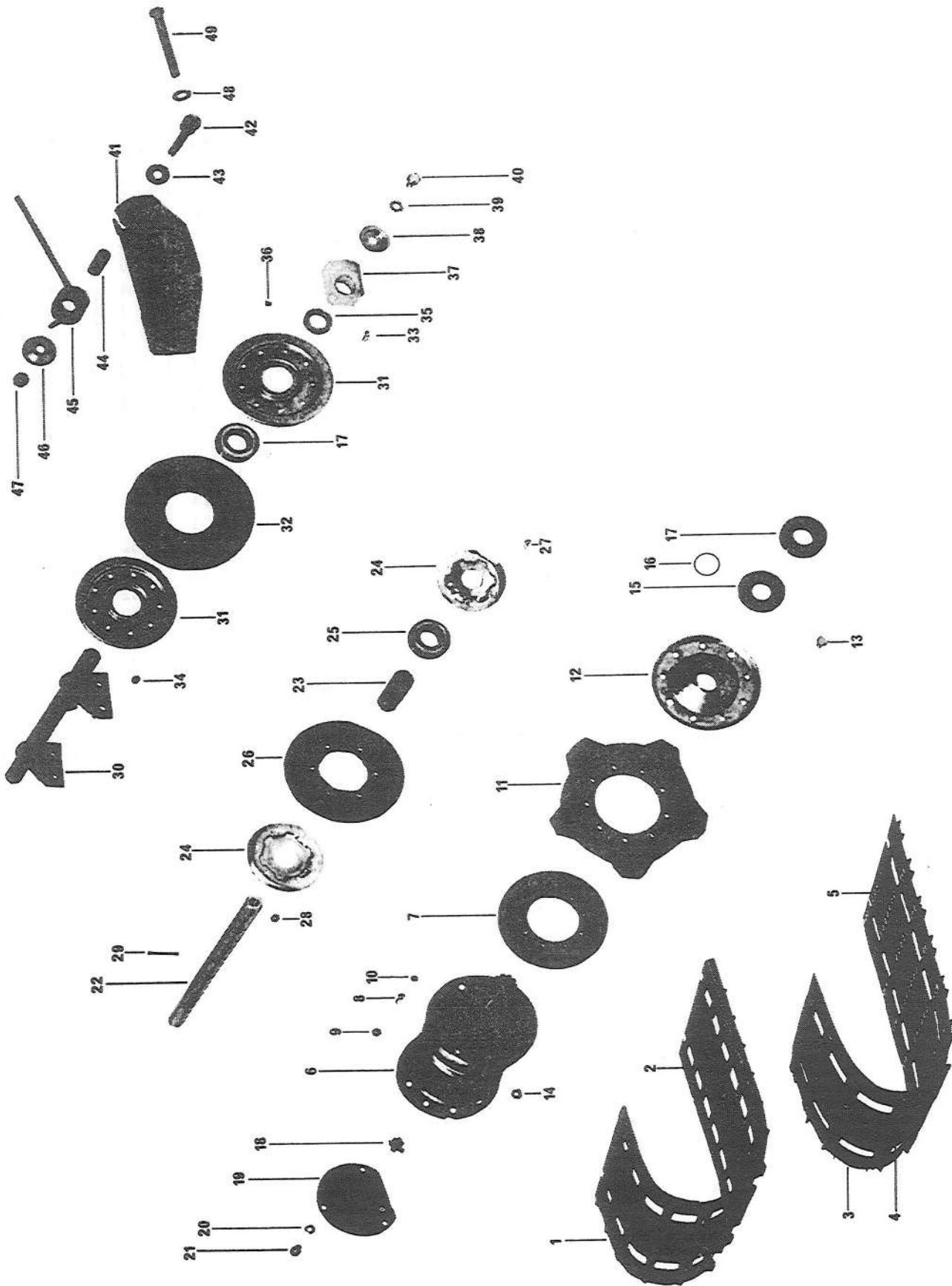
SUSPENSION (VALMONT - ALPINE)



ITEM NO.	PART NO.	DESCRIPTION	QUANTITY					
			V 399R	V 399ER	V 640ER	A 399R	A 399ER	A 640ER
1	570 0006	Track Ass'y	2	2	2			
1	570 0014	Track Ass'y				2	2	2
2	570 0003	Insert (Track)	AR	AR	AR	AR	AR	AR
3	529 0003	Insert Block (Tool)	AR	AR	AR	AR	AR	AR
4	501 0043	Drive Axle	2	2	2	2	2	2
5	414 0001	Sprocket	4	4	4	4	4	4
6	501 0036	Mobile Flange	8	8	8	8	8	8
7	320 1102	Screw	36	36	36	36	36	36
8	387 2019	Nut	36	36	36	36	36	36
9	581 1017	Seal (With Spring)	4	4	4	4	4	4
10	414 0153	Spring For Seal	4	4	4	4	4	4
11	405 4002	Bearing	4	4	4	4	4	4
12	501 0059	End Bearing Housing	2	2	2	2	2	2
13	300 1001	Screw	2	2	2	2	2	2
14	300 1000	Screw	4	4	4	4	4	4
15	399 8007	Washer	4	4	4	4	4	4
16	386 6019	Nut	2	2	2	2	2	2
17	502 0002	Wheel Support	12	12	12	16	16	16
18	502 0011	Cap	24	24	24	32	32	32
19	502 0015	Inner Flange	24	24	24	32	32	32
20	405 4002	Bearing	24	24	24	32	32	32
21	570 0205	Tire (W/Rib)	24	24	24	32	32	32
22	502 0016	Outer Flange	24	24	24	32	32	32
23	320 1062	Screw (Wheel & Rear Hub)	180	180	180	228	228	228
24	387 3013	Nut (Wheel & Rear Hub)	180	180	180	228	228	228
25	408 2001	Grease Fitting	26	26	26	34	34	34
26	502 0026	Spring 1/4" Dia.	12	12	12	16	16	16
27	502 0008	Cross Shaft	6	6	6	8	8	8
28	399 8001	Washer	12	12	12	16	16	16
29	309 8036	Screw	12	12	12	16	16	16
30	503 0073	Rear Hub	2	2	2	2	2	2
31	570 0101	Sprocket	4	4		4	4	
31	414 0327	Sprocket			4			4
32	570 0301	Seal	4	4	4	4	4	4
33	405 4002	Bearing	4	4	4	4	4	4
34	503 0071	R.H. Link Plate	2	2	2	2	2	2
34	503 0072	L.H. Link Plate	2	2	2	2	2	2
35	503 0074	Adjuster Eye Bolt	4	4	4	4	4	4
36	309 8037	Screw	4	4	4	4	4	4
37	504 0014	Sprocket 39 Teeth	1	1		1	1	
37	504 0099	Sprocket 29 Teeth			1			1
38	503 0079	Hardened Washer	4	4	4	4	4	4
39	503 0075	Adjuster Sleeve	4	4	4	4	4	4
40	503 0090	R.H. Spring	2	2	2	2	2	2
40	503 0091	L.H. Spring	2	2	2	2	2	2
41	503 0076	Retainer Washer	4	4	4	4	4	4
42	389 8036	Nut	4	4	4	4	4	4
	504 0039	Spacer	4	4	4	4	4	4



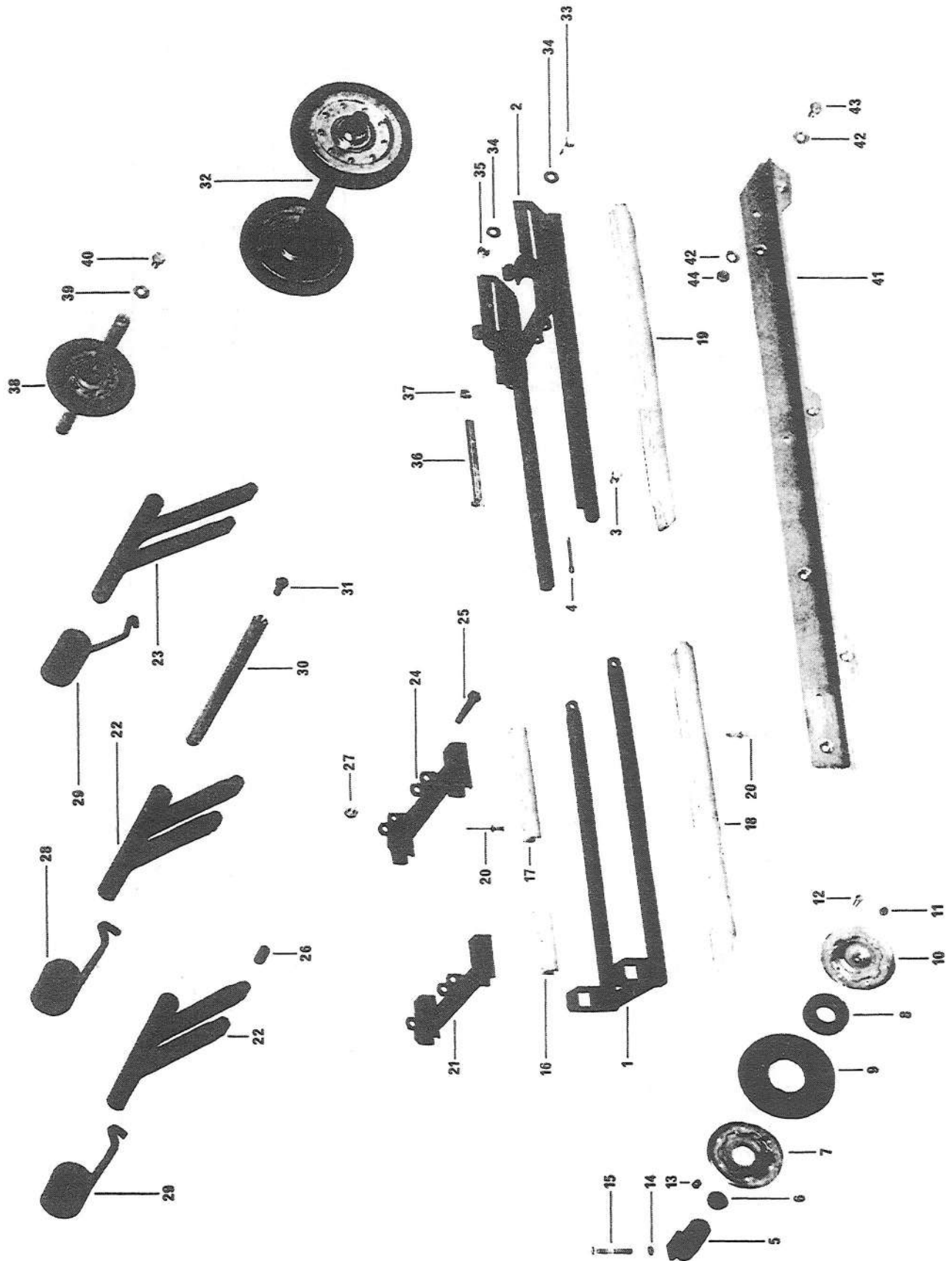
SUSPENSION (BLIZZARD 15" - 16-1/2")



ITEM NO.	PART NO.	DESCRIPTION	QUANTITY					
			291	336	397	437	636	797
1	570 0015	Rubber Track	1	1	1	1		
1	570 0026	Rubber Track					1	1
2	570 0108	Track Cleat	AR	AR	AR	AR	AR	AR
3	570 0024	Steel Track	1	1	1	1		
3	570 0025	Steel Track					1	1
4	501 0044	Cross Link	AR	AR	AR	AR		
4	501 0050	Cross Link					AR	AR
5	390 4023	Rivet	AR	AR	AR	AR	AR	AR
6	501 0045	Drive Axle	1	1	1	1		
6	501 0051	Drive Axle (Steel Track)					1	1
6	501 0052	Drive Axle					1	1
7	570 0306	Idler	2	2	2	2		
7	570 0308	Idler					2	2
7	570 0309	Idler (Steel Track)					2	2
8	320 1063	Screw	18	18	18	18	18	18
9	386 6013	Nut	18	18	18	18	18	18
10	365 2020	Screw	2	2	2	2	2	2
11	570 0112	Sprocket 7T (Rubber Track)	2	2	2	2		
11	570 0115	Sprocket 9T (Rubber Track)					2	2
11	570 0113	Sprocket 5T (Steel Track)	2	2	2	2		
11	570 0021	Sprocket 6T (Steel Track)					2	2
12	501 0058	Mobile Flange	2	2	2	2		
12	501 0053	Mobile Flange					2	2
13	300 1001	Screw	18	18	18	18	18	18
14	387 2019	Nut	18	18	18	18	18	18
15	581 1017	Seal W/Spring	2	2	2	2	2	2
16	414 0153	Spring For Seal	2	2	2	2	2	2
17	405 4004	Bearing (Drive Axle & Rear Hub)	4	4	4	4	4	4
18	572 0101	Speedo Drive Insert	1	1	1	1	1	1
19	501 0034	End Bearing Housing	1	1	1	1	1	1
20	392 0019	Washer	3	3	3	3	3	3
21	300 1002	Screw	3	3	3	3	3	3
22	503 0127	Cross Shaft	1	1	1	1		
22	503 0138	Cross Shaft					1	1
23	503 0128	Tube	1	1	1	1	1	1
24	502 0015	Flange	2	2	2	2	2	2
25	405 4005	Bearing	1	1	1	1	1	1
26	570 0208	Wheel Tire	1	1	1	1	1	1
27	320 9062	Screw	6	6	6	6	6	6
28	387 3013	Nut	6	6	6	6	6	6
29	371 0033	Cotter Pin	2	2	2	2	2	2
30	503 0116	Rear Hub	1	1	1	1		
30	503 0137	Rear Hub					1	1
31	503 0118	Flange	4	4	4	4	4	4
32	570 0308	Idler	2	2	2	2	2	2
33	320 1063	Screw	18	18	18	18	18	18
34	386 6013	Nut	18	18	18	18	18	18
35	503 0095	Collar	2	2	2	2	2	2
36	365 2003	Screw	2	2	2	2	2	2
37	503 0120	Sliding Block	2	2	2	2	2	2
38	503 0119	End Washer	2	2	2	2	2	2
39	399 9051	Star Washer	2	2	2	2	2	2
40	300 1043	Screw	2	2	2	2	2	2
41	503 0122	R.H. Link Plate	1	1	1	1	1	1
41	503 0123	L.H. Link Plate	1	1	1	1	1	1
42	503 0074	Adjuster Eye Bolt	2	2	2	2	2	2
43	503 0079	Hardened Washer	2	2	2	2	2	2
44	503 0075	Adjuster Sleeve	2	2	2	2	2	2
45	503 0125	R.H. Spring	1	1	1	1	1	1
45	503 0126	L.H. Spring	1	1	1	1	1	1
46	503 0076	Retainer Washer	2	2	2	2	2	2
47	386 6024	Nut	2	2	2	2	2	2
48	399 9006	Washer	2	2	2	2	2	2
49	309 8037	Screw	2	2	2	2	2	2



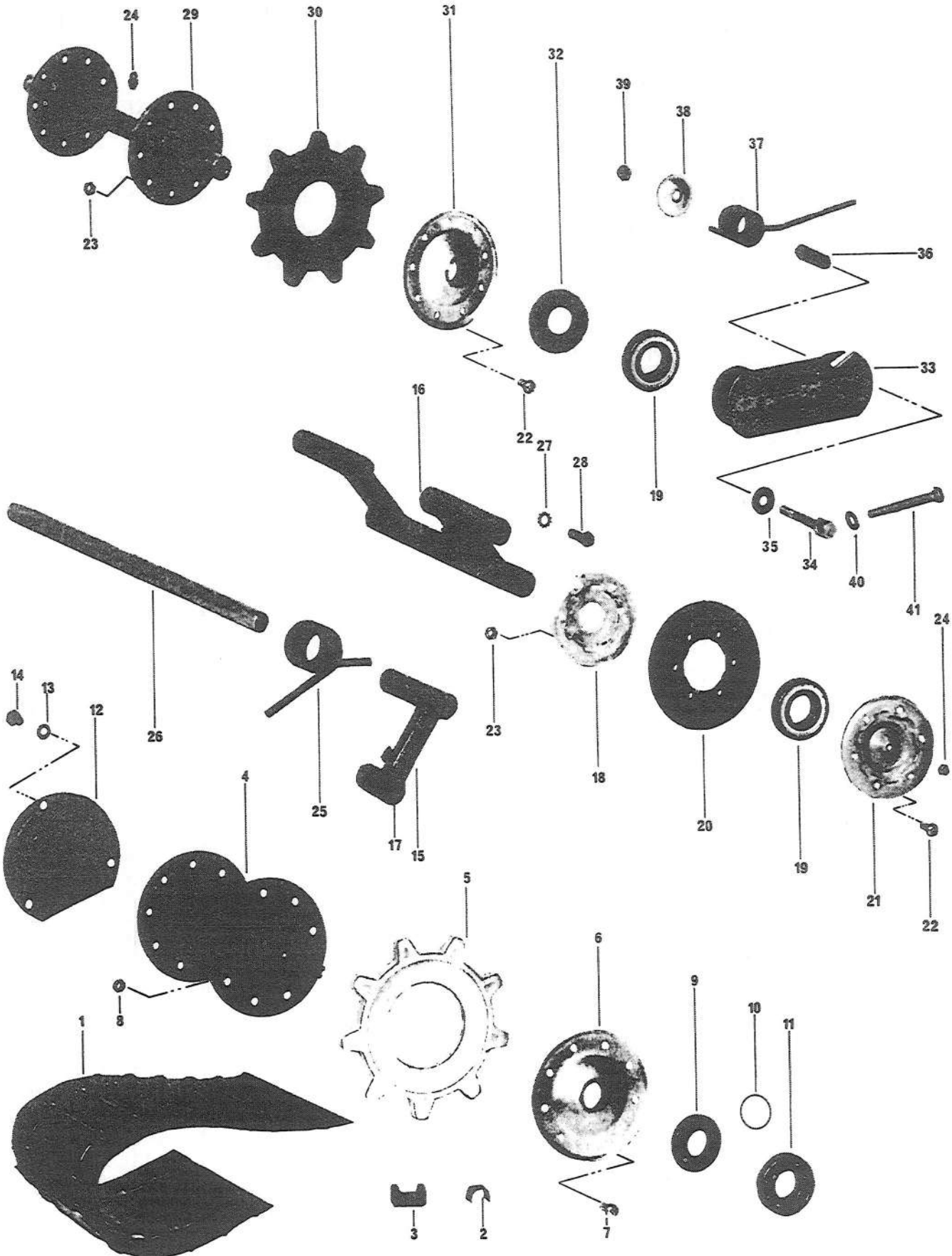
SUSPENSION SLIDING (BLIZZARD 15" - 16-1/2")



ITEM NO.	PART NO.	DESCRIPTION	QUANTITY					
			291	336	397	437	636	797
1	503 0096	Front Runner Tube	1	1	1	1		
1	503 0130	Front Runner Tube					1	1
2	503 0102	Rear Runner Tube	1	1	1	1		
2	503 0131	Rear Runner Tube					1	1
3	414 0340	Clevis Pin	2	2	2	2	2	2
4	371 0011	Cotter Pin	2	2	2	2	2	2
5	503 0101	Tube	2	2	2	2	2	2
6	502 0011	Cap	2	2	2	2	2	2
7	502 0015	Inner Flange	2	2	2	2	2	2
8	405 4002	Bearing	2	2	2	2	2	2
9	570 0208	Wheel Tire	2	2	2	2	2	2
10	502 0016	Outer Flange	2	2	2	2	2	2
11	408 2001	Grease Fitting	2	2	2	2	2	2
12	320 1062	Screw	12	12	12	12	12	12
13	387 3013	Nut	12	12	12	12	12	12
14	392 0019	Washer	4	4	4	4	4	4
15	300 1006	Screw	4	4	4	4	4	4
16	560 3004	Front Sliding Pad	2	2	2	2	2	2
17	560 3002	Sliding Pad	2	2	2	2	2	2
18	560 3005	Front Slider Shoe	2	2	2	2	2	2
19	560 3006	Rear Slider Shoe	2	2	2	2		
19	560 3007	Rear Slider Shoe					2	2
20	390 4022	Rivet	34	34	34	34	34	34
21	503 0105	Cross Tube	1	1	1	1		
21	503 0133	Cross Tube					1	1
22	503 0104	Front Cross Support	2	2	2	2		
22	503 0132	Front Cross Support					2	2
23	503 0109	Rear Cross Support	1	1	1	1		
23	503 0135	Rear Cross Support					1	1
24	503 0129	Slider	1	1	1	1		
24	503 0134	Slider					1	1
25	300 1048	Screw	6	6	6	6	6	6
26	503 0054	Sleeve	6	6	6	6	6	6
27	389 8037	Nut	6	6	6	6	6	6
28	414 0859	R.H. Center Spring	1	1	1	1	1	1
28	414 0860	L.H. Center Spring	1	1	1	1	1	1
29	414 0857	R.H. Front & Rear Spring	2	2	2	2	2	2
29	414 0858	L.H. Front & Rear Spring	2	2	2	2	2	2
30	503 0112	Cross Shaft	3	3	3	3		
30	503 0136	Cross Shaft					3	3
31	365 1004	Screw	6	6	6	6	6	6
32	581 0329	Rear Hub Ass'y	1	1	1	1		
32	581 0336	Rear Hub Ass'y					1	1
33	300 0044	Screw	4	4	4	4	4	4
34	391 0023	Washer	8	8	8	8	8	8
35	380 7022	Nut	4	4	4	4	4	4
36	309 8046	Screw	2	2	2	2	2	2
37	386 6024	Nut	2	2	2	2	2	2
38	580 0350	Cross Shaft Ass'y	1	1	1	1		
38	580 0374	Cross Shaft Ass'y					1	1
39	399 9007	Washer	2	2	2	2	2	2
40	300 1041	Screw	2	2	2	2	2	2
41	503 0113	R.H. Side Member	1	1	1	1	1	1
41	503 0114	L.H. Side Member	1	1	1	1	1	1
42	399 9007	Washer	12	12	12	12	12	12
43	300 1041	Screw	6	6	6	6	6	6
44	386 7003	Nut	6	6	6	6	6	6



SUSPENSION (BLIZZARD 246)



ITEM NO.	PART NO.	DESCRIPTION	QUANTITY
			246
1	570 0013	Track W/Insert	1
2	570 0003	Track Insert	AR
3	529 0003	Insert Block (Tool)	AR
4	501 0035	Drive Axle	1
5	414 0001	Sprocket	2
6	501 0036	Mobile Flange	2
7	320 9102	Screw	18
8	386 6119	Nut	18
9	581 1017	Seal W/Spring	2
10	414 0153	Spring For Seal	2
11	405 4002	Bearing	2
12	501 0032	End Bearing Housing	1
13	392 0019	Washer	3
14	300 0001	Screw	3
15	502 0024	Center Wheel Support	2
15	502 0028	Center Wheel Support	1
16	502 0025	Side Wheel Support	3
17	502 0011	Cap	12
18	502 0015	Inner Flange	10
19	405 4002	Bearing (Wheel & Rear Hub)	12
20	570 0205	Wheel Tire	8
20	570 0207	Wheel Tire	2
21	502 0016	Outer Flange	10
22	320 1062	Screw (Wheel & Rear Hub)	78
23	387 3013	Nut (Wheel & Rear Hub)	78
24	408 2001	Grease Fitting (Wheel & Rear Hub)	11
25	502 0027	Spring 9/32" Dia.	3
26	502 0008	Cross Shaft	3
27	399 8001	Lock Washer	6
28	309 8036	Screw	6
29	503 0073	Rear Hub	1
30	570 0101	Sprocket	2
31	501 0036	Mobile Flange	2
32	570 0301	Seal	2
33	503 0068	R.H. Link Plate	1
33	503 0069	L.H. Link Plate	1
34	503 0028	Adjuster Eye Bolt	2
35	503 0044	Hardened Washer	2
36	503 0029	Adjuster Sleeve	2
37	414 0670	R.H. Spring	1
37	414 0671	L.H. Spring	1
38	503 0016	Retainer Washer	2
39	389 8037	Nut	2
40	399 9007	Washer	2
41	309 8027	Screw	2



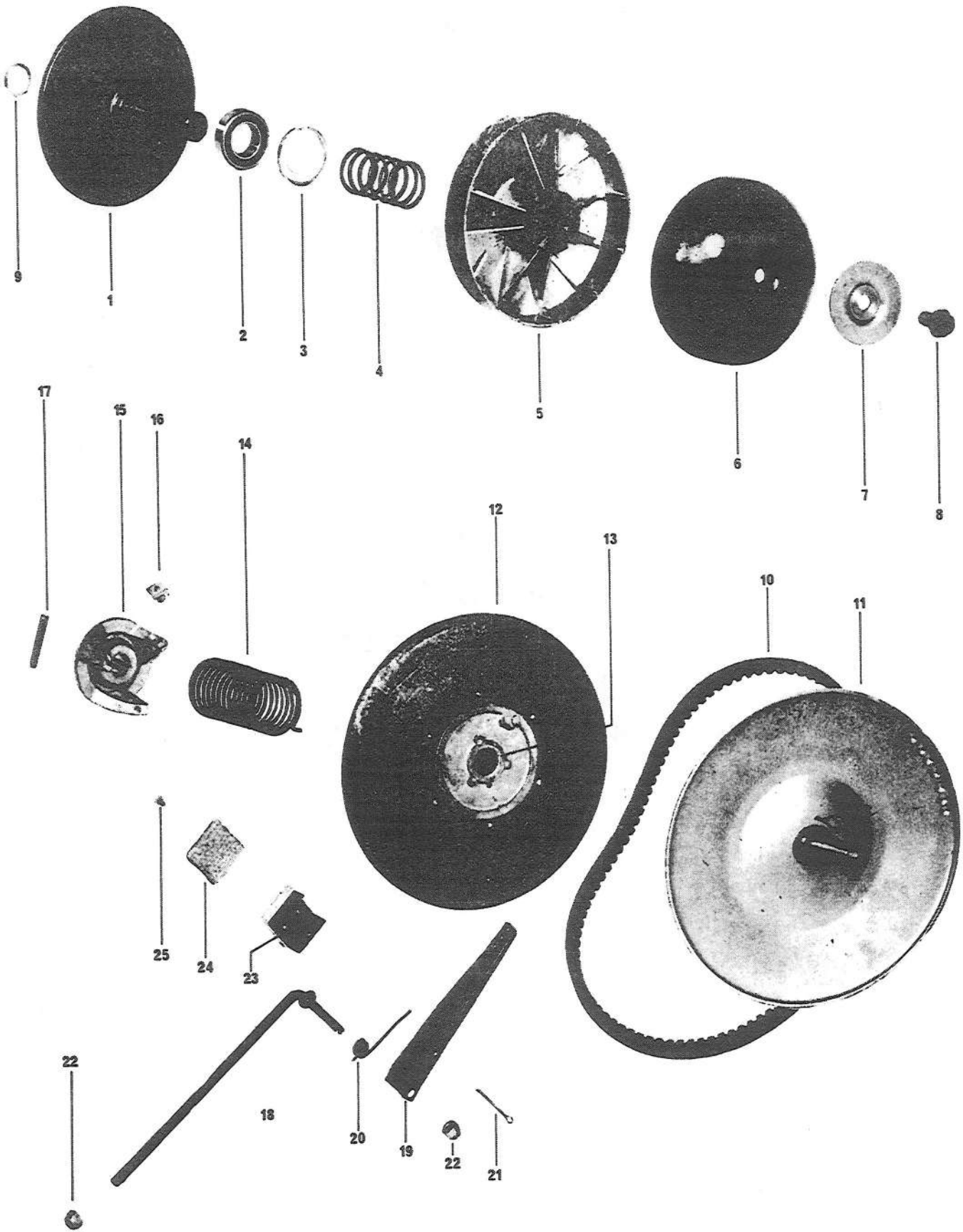


TRANSMISSION

SECTION 1-2

DRIVE PULLEY
DRIVE BELT
DRIVEN PULLEY
BRAKE
PULLEY GUARD

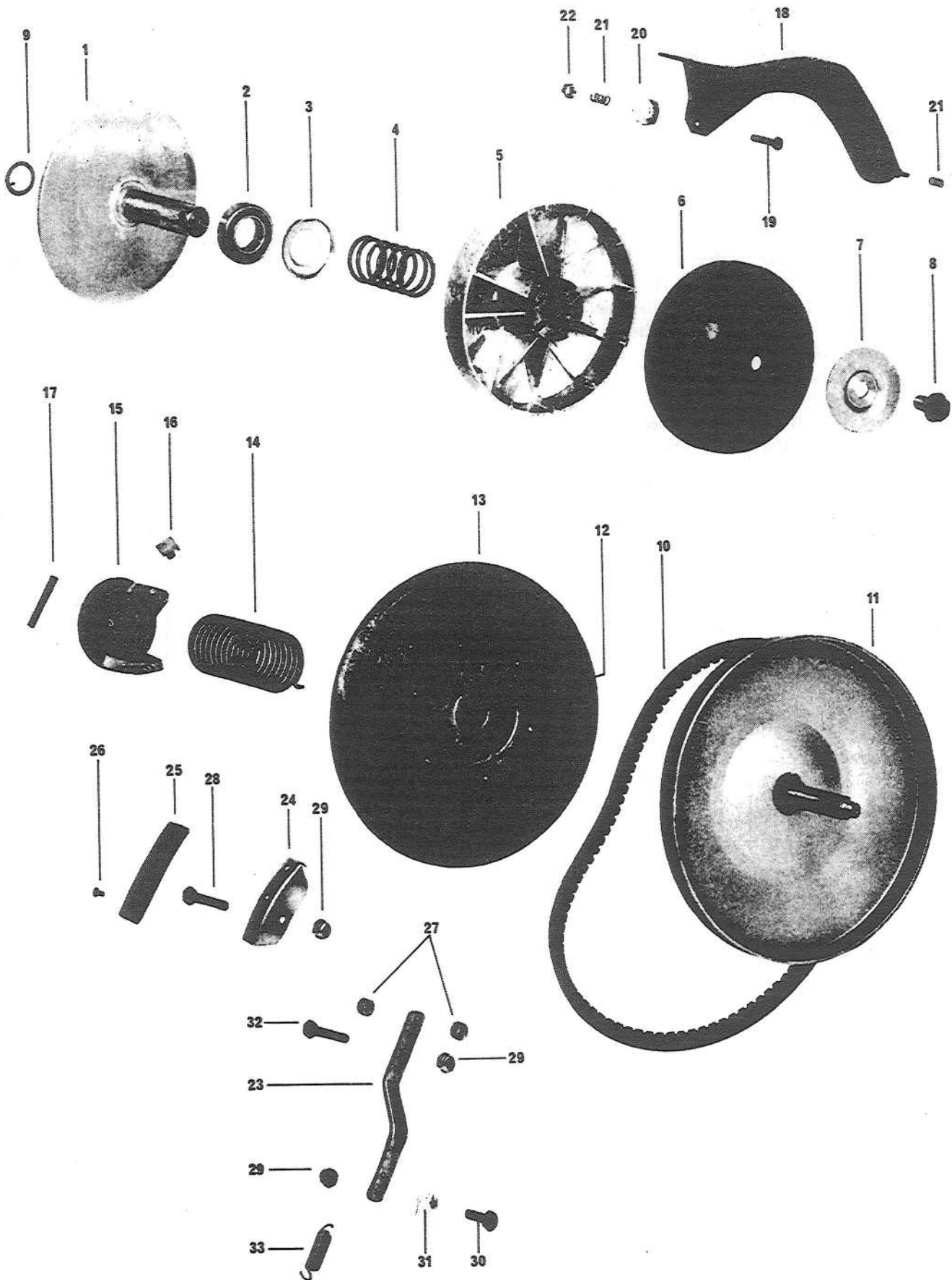




ITEM NO.	PART NO.	DESCRIPTION	QUANTITY	
			250	250E
1	504 2064	Inner Half	1	1
2	405 4005	Bearing	1	1
3	504 2013	Spring Seat	1	1
4	414 0013	Spring	1	1
5	504 2068	Outer Half	1	1
6	582 1024	Cent. Governor	1	1
7	504 2072	Governor Washer	1	1
8	309 8010	Special Screw	1	1
9	504 1009	Shim	AR	AR
10	570 0411	Drive Belt	1	1
11	504 1059	Fixed Pulley Half	1	1
12	504 1060	Sliding Pulley Half	1	1
13	405 6002	Bushing	1	1
14	414 0125	Spring	1	1
15	560 4001	Outer Cam	1	1
16	414 0126	Cam Slider Shoe	3	3
17	372 1123	Roll Pin	1	1
18	504 0111	Hinge Rod	1	1
19	507 0029	Handle Plate	1	1
20	414 0081	Spring	1	1
21	371 0035	Cotter Pin	1	1
22	386 6022	Nut	2	2
23	581 1018	Swivel Plate	1	1
24	507 0006	Lining	1	1
25	390 5001	Rivet	2	2



TRANSMISSION (OLYMPIQUE - T'NT 15'')



TRANSMISSION (OLYMPIQUE - T'NT 15")

1971

ITEM NO.	PART NO.	DESCRIPTION	QUANTITY						
			300	335	335E	399	399E	T'NT 292	T'NT 340
1	504 2075	Inner Half	1			1	1		
1	504 2074	Inner Half		1	1			1	
1	504 2074	Inner Half							1
2	405 4005	Bearing	1			1	1		
2	405 4008	Bearing		1	1			1	1
3	504 2013	Spring Seat	1			1	1		
3	504 0094	Spring Seat		1	1			1	1
4	414 0013	Spring	1	1	1	1	1	1	1
5	504 2068	Outer Half	1			1	1		
5	504 2069	Outer Half		1	1			1	1
6	582 1024	Centrifugal Governor	1			1	1		
6	582 1025	Centrifugal Governor		1	1			1	1
7	504 2072	Governor Washer	1	1	1	1	1	1	1
8	309 8010	Special Screw	1	1	1	1	1	1	1
9	504 1009	Shim	AR			AR	AR		
9	504 1057	Shim		AR	AR			AR	AR
10	570 0411	Drive Belt	1	1	1	1	1	1	1
11	504 1062	Fixed Pulley Half	1	1	1	1	1	1	1
12	405 6002	Bushing	1	1	1	1	1	1	1
13	504 1061	Siding Pulley Half	1	1	1	1	1	1	1
14	414 0125	Spring	1	1	1	1	1	1	1
15	560 4001	Outer Cam	1	1	1	1	1	1	1
16	414 0126	Cam Slider Shoe	3	3	3	3	3	3	3
17	372 1123	Roll Pin	1	1	1	1	1	1	1
18	572 1722	Pulley Guard	1	1				1	
18	561 7022	Pulley Guard			1				
18	561 7023	Pulley Guard				1	1		
18	561 7024	Pulley Guard							1
19	300 0004	Screw	1	1	1	1	1	1	1
20	517 0180	Retainer Washer	1	1	1	1	1	1	1
21	414 0616	Spring	2	2	2	2	2	2	2
22	387 2019	Nut	1	1	1	1	1	1	1
23	507 0050	Brake Lever	1	1	1	1	1	1	1
24	507 0037	Shoe	1	1	1	1	1	1	1
25	507 0038	Lining	1	1	1	1	1	1	1
26	390 5001	Rivet	3	3	3	3	3	3	3
27	507 0051	Lug Spacer	2	2	2	2	2	2	2
28	309 8020	Screw	1	1	1	1	1	1	1
29	386 6019	Nut	3	3	3	3	3	3	3
30	309 8038	Screw	1	1	1	1	1	1	1
31	507 0047	Cable Lock Bracket	1	1	1	1	1	1	1
32	300 1001	Screw	1	1	1	1	1	1	1
33	414 0497	Spring	1	1	1	1	1	1	1

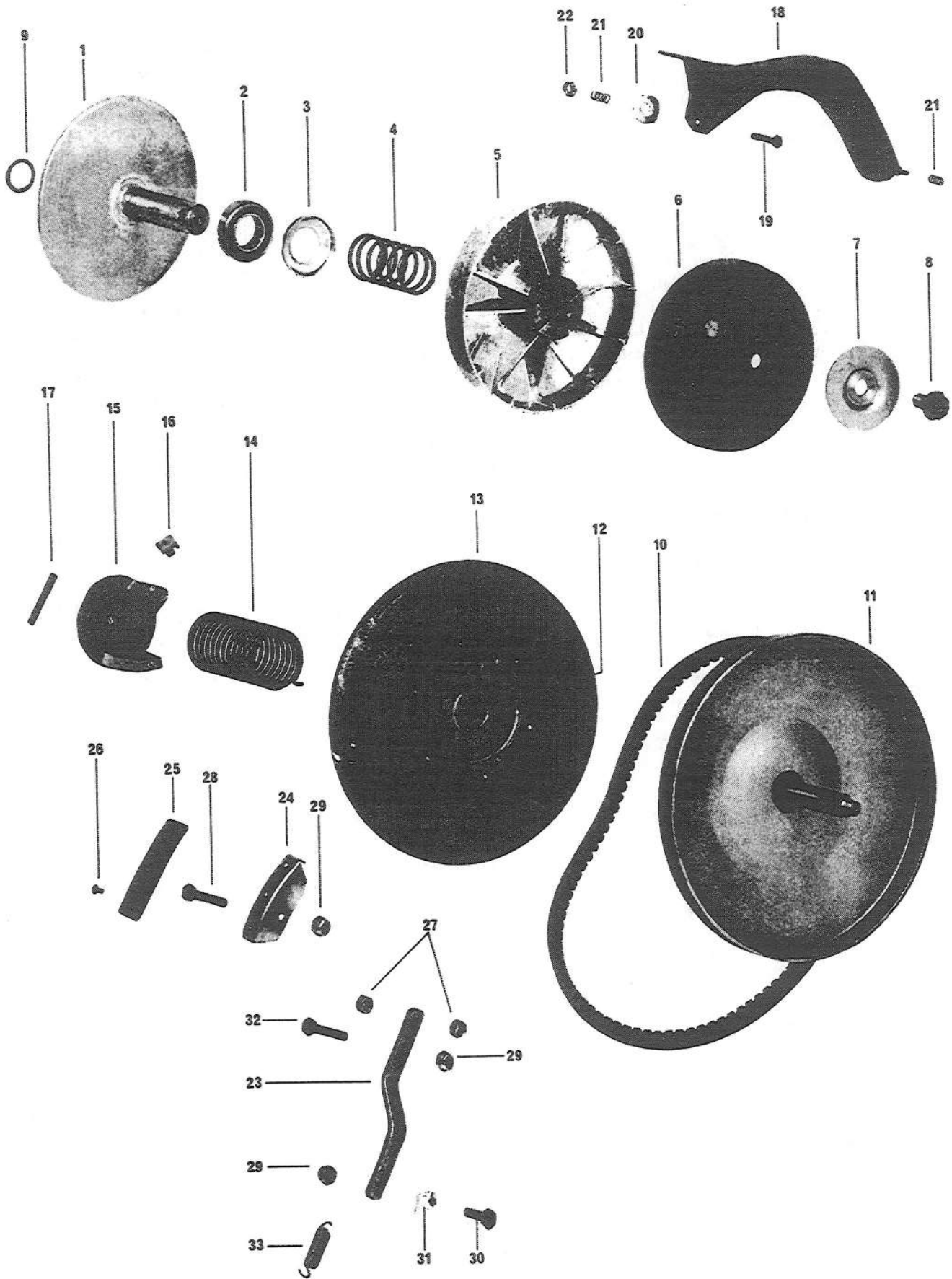


Cat. No. 480 1016.



March 1970.

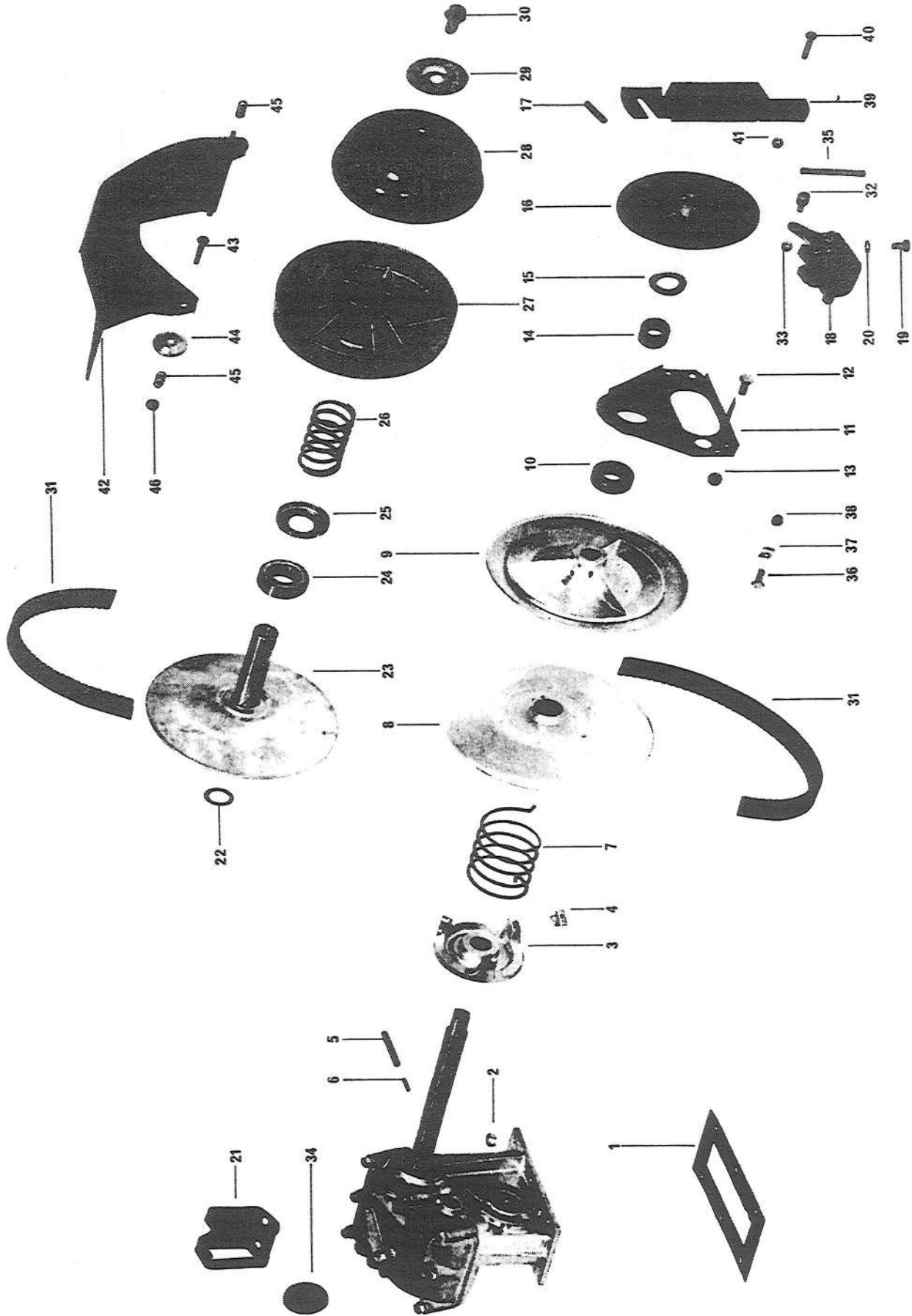
SECTION 1-2 - PAGE 5



ITEM NO.	PART NO.	DESCRIPTION	QUANTITY						
			S 335	N 399	N 399E	N 640E	T'NT 440	T'NT 640	T'NT 775
1	504 2074	Inner Half	1			1	1		
1	504 2075	Inner Half		1	1				
1	504 2067	Inner Half						1	1
2	405 4008	Bearing	1			1	1	1	1
2	405 4605	Bearing		1	1				
3	504 0094	Spring Seat	1			1	1	1	1
3	504 2013	Spring Seat		1	1				
4	414 0013	Spring	1	1	1	1	1	1	1
5	504 2069	Outer Half	1			1	1	1	1
5	504 2068	Outer Half		1	1				
6	582 1025	Centrifugal Governor	1						
6	582 1024	Centrifugal Governor		1	1				
6	582 0108	Centrifugal Governor				1			
6	582 0211	Centrifugal Governor					1		
6	582 0210	Centrifugal Governor						1	1
7	504 2072	Governor Washer	1	1	1	1	1	1	1
8	329 8010	Special Screw	1	1	1	1	1	1	1
9	504 1057	Shim	AR			AR		AR	AR
9	504 1009	Shim		AR	AR		AR		
10	570 0411	Drive Belt	1	1	1		1		
10	570 0414	Drive Belt				1		1	1
11	504 1062	Fixed Pulley	1	1	1		1		
11	504 1063	Fixed Pulley				1		1	1
12	405 6002	Bushing	1	1	1		1		
12	405 8003	Bushing				1		1	1
13	504 1061	Sliding Pulley	1	1	1		1		
13	504 1064	Sliding Pulley				1		1	1
14	414 0125	Spring	1	1	1		1		
14	414 0138	Spring				1		1	1
15	560 4001	Outer Cam	1	1	1		1		
15	560 4010	Outer Cam				1		1	1
16	414 0126	Cam Slider Shoe	3	3	3	3	3	3	3
17	372 1123	Roll Pin	1	1	1		1		
17	372 1124	Roll Pin				1		1	1
18	572 1722	Pulley Guard	1	1	1		1		
18	561 7023	Pulley Guard				1		1	1
19	300 0004	Screw	1	1	1	1	1	1	1
20	512 0180	Retainer Washer	1	1	1	1	1	1	1
21	414 0616	Spring	2	2	2	2	2	2	2
22	387 2016	Nut	1	1	1	1	1	1	1
23	507 0050	Brake Lever	1	1	1	1	1	1	1
24	507 0037	Shoe	1	1	1	1	1	1	1
25	507 0038	Lining	1	1	1	1	1	1	1
26	390 5001	Rivet	3	3	3	3	3	3	3
27	507 0051	Lug Spacer	2	2	2	2	2	2	2
28	309 8020	Screw	1	1	1	1	1	1	1
29	386 6019	Nut	3	3	3	3	3	3	3
30	309 8038	Screw	1	1	1	1	1	1	1
31	507 0047	Cable Lock Bracket	1	1	1	1	1	1	1
32	300 1001	Screw	1	1	1	1	1	1	1
33	414 0497	Spring	1	1	1	1	1	1	1



TRANSMISSION (VALMONT - ALPINE)



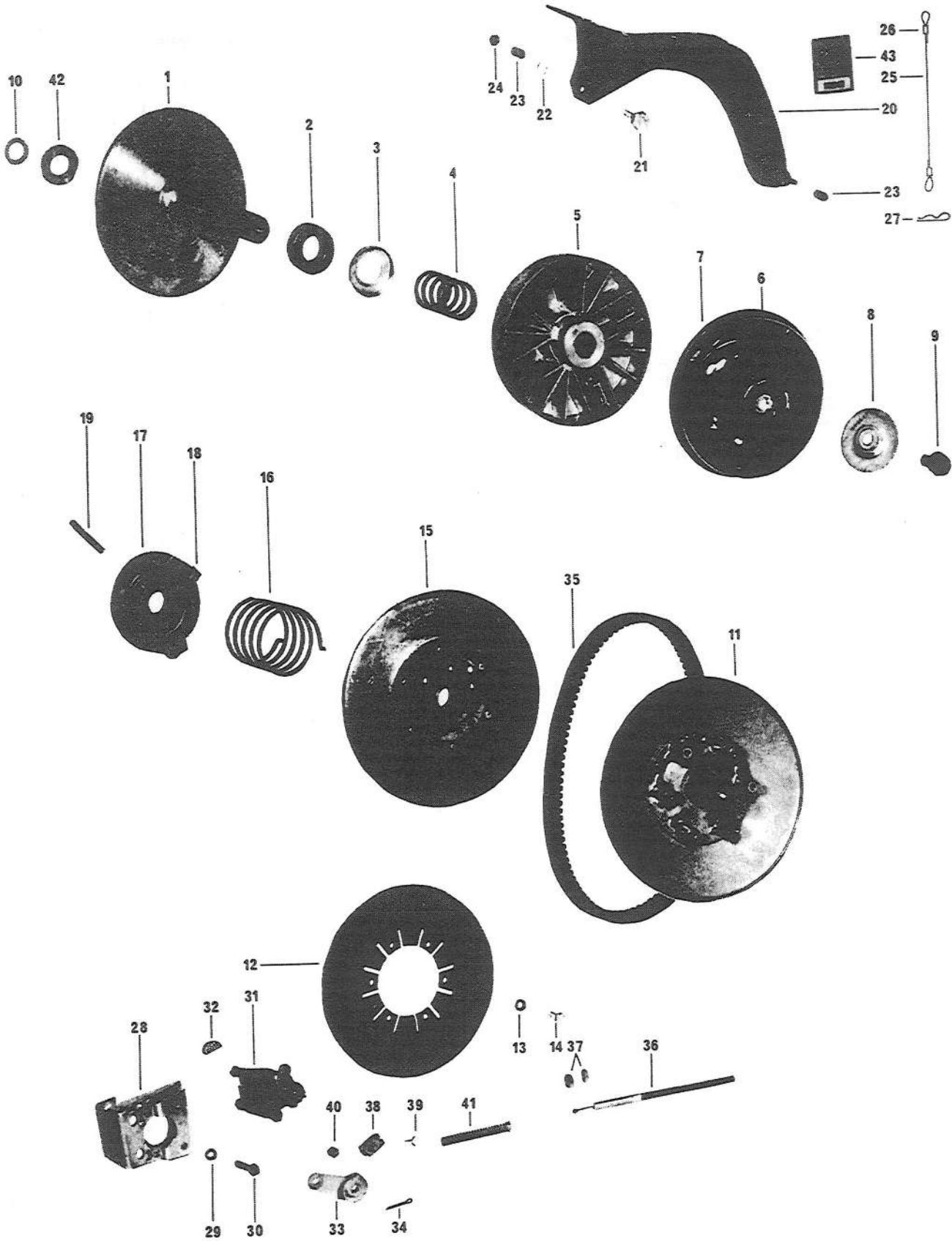
TRANSMISSION (VALMONT - ALPINE)

1971

ITEM NO.	PART NO.	DESCRIPTION	QUANTITY					
			V 399R	V 399ER	V 640ER	A 399R	A 399ER	A 640ER
1	504 1052	Gasket	1	1	1	1	1	1
2	389 8037	Nut	6	6	6	6	6	6
3	504 1035	Outer Cam	1	1	1	1	1	1
4	414 0126	Cam Slider Shoe	3	3	3	3	3	3
5	372 1124	Roll Pin	2	2	2	2	2	2
6	372 1060	Roll Pin	4	4	4	4	4	4
7	560 1001	Release Spring	1	1	1	1	1	1
8	504 1044	Sliding Pulley Half	1	1	1	1	1	1
9	504 1043	Fixed Pulley Half	1	1	1	1	1	1
10	405 4004	Bearing	1	1	1	1	1	1
11	504 0135	Support	1	1	1	1	1	1
12	300 1041	Screw	2	2	2	2	2	2
13	386 7001	Nut	2	2	2	2	2	2
14	504 0136	Spacer	1	1	1	1	1	1
15	417 0008	Spring Washer	1	1	1	1	1	1
16	507 0053	Disk	1	1	1	1	1	1
17	372 1122	Roll Pin	1	1	1	1	1	1
18	414 0789	Disk Brack Unit	1	1	1	1	1	1
19	300 5040	Screw	2	2	2	2	2	2
20	394 0022	Washer	2	2	2	2	2	2
21	506 0109	Steering Bracket	1	1	1	1	1	1
22	504 1009	Shim	AR	AR	AR	AR	AR	AR
23	504 2075	Inner Half	1	1		1	1	
23	504 2074	Inner Half			1			1
24	405 4005	Bearing	1	1		1	1	
24	405 4008	Bearing			1			1
25	504 2013	Spring Seat	1	1		1	1	
25	504 0094	Spring Seat			1			1
26	414 0013	Spring	1	1	1	1	1	1
27	504 2068	Outer Half	1	1		1	1	
27	504 2069	Outer Half			1			1
28	582 3009	Centrifugal Governor	1	1		1	1	
28	582 0108	Centrifugal Governor			1			1
29	504 2072	Governor Washer	1	1	1	1	1	1
30	309 8010	Special Cap Screw	1	1	1	1	1	1
31	570 0411	Drive Belt	1	1		1	1	
31	570 0414	Drive Belt			1			1
32	507 0027	Brake Level Ferrule	1	1	1	1	1	1
33	386 6019	Nut	1	1	1	1	1	1
34	570 1737	Rubber Cover	1	1	1	1	1	1
35	414 0755	Spring	1	1	1	1	1	1
36	300 1001	Screw	1	1	1	1	1	1
37	507 0047	Cable Lock Bracket	1	1	1	1	1	1
38	386 6019	Nut	1	1	1	1	1	1
39	517 0303	Pulley Guard Holder	1	1	1	1	1	1
40	300 0004	Screw	1	1	1	1	1	1
41	386 6019	Nut	1	1	1	1	1	1
42	572 1722	Pulley Guard	1	1	1	1	1	1
43	300 0004	Screw	1	1	1	1	1	1
44	517 0180	Retainer Washer	1	1	1	1	1	1
45	414 0616	Spring	2	2	2	2	2	2
46	387 2019	Nut	1	1	1	1	1	1



TRANSMISSION (BLIZZARD 15 - 16-1/2")



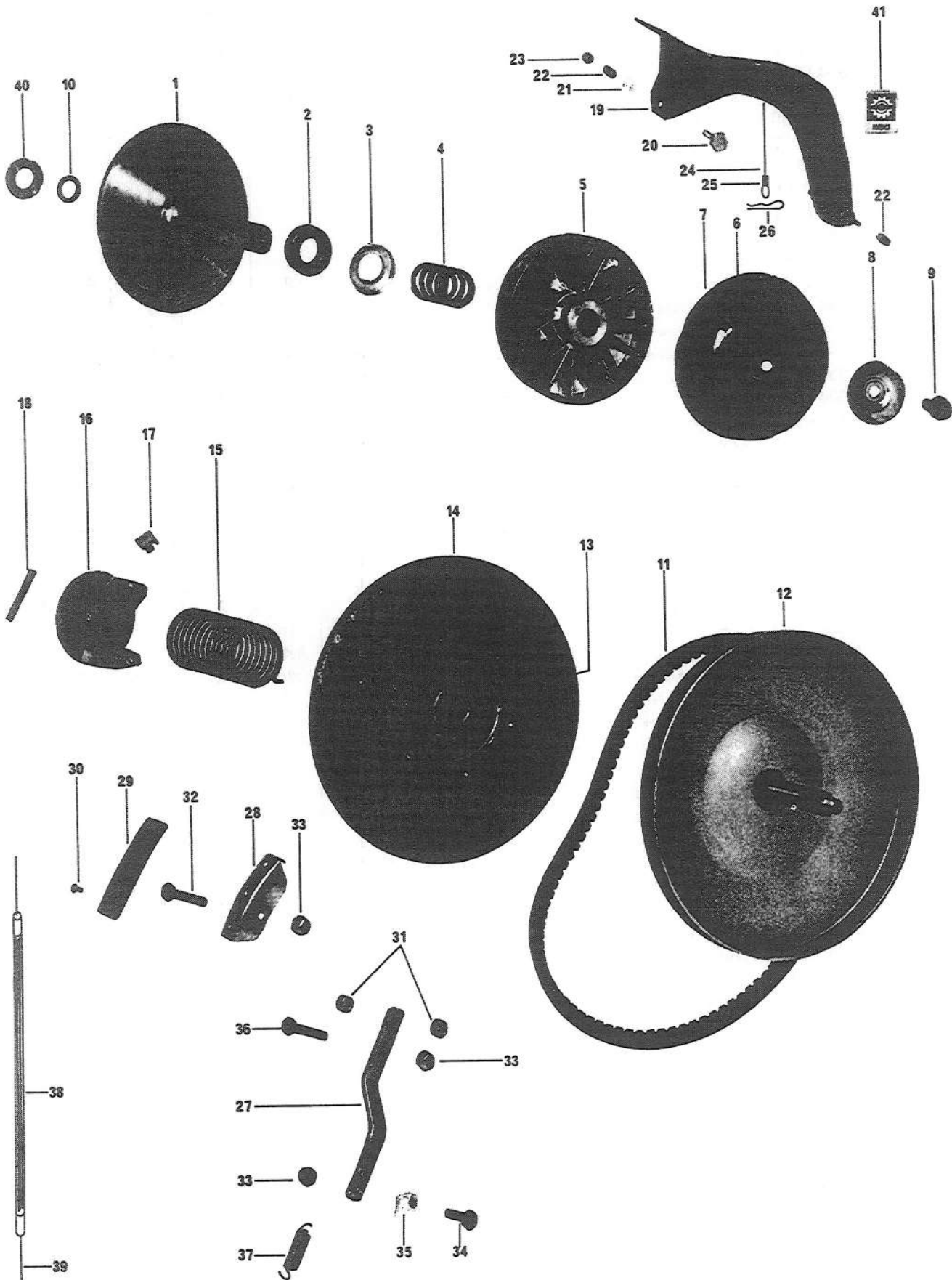
TRANSMISSION (BLIZZARD 15" - 16-1/2")

1971

ITEM NO.	PART NO.	DESCRIPTION	QUANTITY					
			291	336	397	437	636	797
1	504 2076	Inner Half	1	1	1	1	1	1
2	405 4008	Bearing	1	1	1	1	1	1
3	504 0094	Spring Seat	1	1	1	1	1	1
4	504 2087	Spring	1	1	1	1		
4	504 2088	Spring					1	1
5	504 2077	Outer Half	1	1	1	1	1	1
6	504 2095	Governor Guard	1	1	1	1	1	1
7	582 0306	Cent. Governor	1	1	1	1		
7	582 0307	Cent. Governor					1	1
8	504 2072	Washer	1	1	1	1	1	1
9	309 8032	Screw	1	1	1	1	1	1
10	504 1009	Shim	AR	AR	AR	AR	AR	AR
11	504 1067	Fixed Pulley	1	1	1	1	1	1
12	504 1068	Disk Brake	1	1	1	1	1	1
13	392 0019	Lock Washer	6	6	6	6	6	6
14	300 4003	Screw	6	6	6	6	6	6
15	504 1070	Sliding Pulley	1	1	1	1	1	1
16	414 0138	Release Spring	1	1	1	1	1	1
17	504 1071	Outer Cam Ass'y	1	1	1	1	1	1
18	414 0126	Cam Slider Shoe	3	3	3	3	3	3
19	372 1124	Roll Pin	1	1	1	1	1	1
20	561 7057	Pulley Guard	1	1				
20	561 7053	Pulley Guard			1	1	1	1
21	369 0006	Screw	1	1	1	1	1	1
22	399 9015	Washer	1	1	1	1	1	1
23	414 0616	Spring	2	2	2	2	2	2
24	386 6019	Nut	1	1	1	1	1	1
25	414 0574	Steel Wire (Mult 12")	AR	AR	AR	AR	AR	AR
26	4090012	Parallel Connector	2	2	2	2	2	2
27	414 0849	Hair Pin Cotter	1	1	1	1	1	1
28	507 0052	Caliper Bracket	1	1	1	1	1	1
29	392 0019	Washer	2	2	2	2	2	2
30	300 5003	Screw	2	2	2	2	2	2
31	414 0763	Disk Brake Unit	1	1	1	1	1	1
32	414 0958	Puck 5/16	1	1	1	1	1	1
32	414 0959	Puck 1/2	1	1	1	1	1	1
33	507 0054	Caliper Arm	1	1	1	1	1	1
34	371 8002	Cotter Pin	1	1	1	1	1	1
35	414 0820	Drive Belt	1	1	1	1	1	1
36	414 0895	Brake Cable & Housing	1	1	1	1	1	1
37	385 8022	Nut	2	2	2	2	2	2
38	414 0903	Retaining Bracket	1	1	1	1	1	1
39	300 1002	Screw	1	1	1	1	1	1
40	386 6119	Nut	1	1	1	1	1	1
41	414 0904	Spring	1	1	1	1	1	1
42	512 0108	Spacer	1	1				
43	414 0621	Bombardier Crest	1					
43	414 0622	Bombardier Crest		1				
43	414 0613	Bombardier Crest			1			
43	414 0702	Bombardier Crest				1		
43	414 0654	Bombardier Crest					1	
43	414 0900	Bombardier Crest						1



TRANSMISSION (BLIZZARD 246)

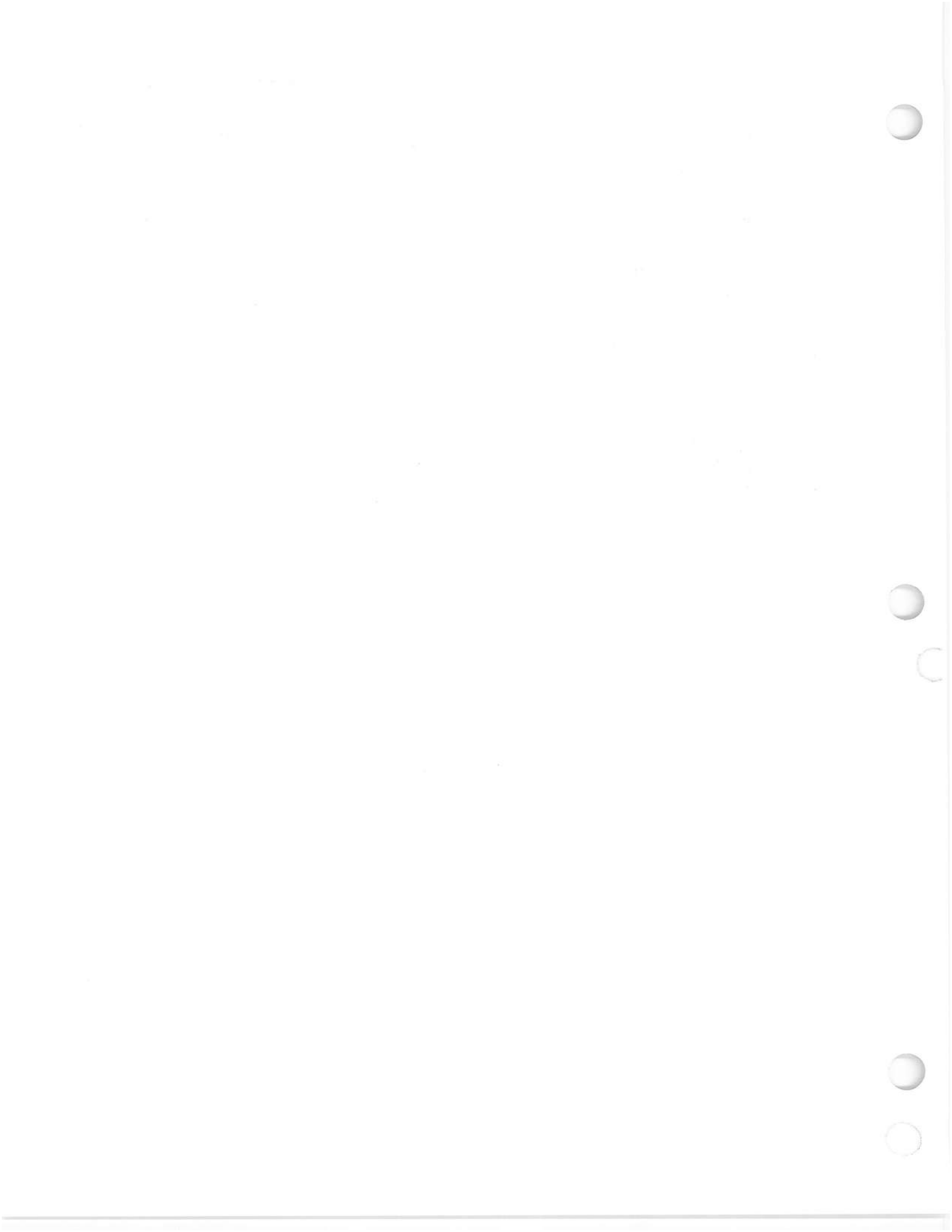


TRANSMISSION (BLIZZARD 246)

1971

ITEM NO.	PART NO.	DESCRIPTION	QUANTITY
			246
1	504 2076	Inner Half	1
2	405 4008	Bearing	1
3	504 0094	Spring Seat	1
4	504 2087	Spring	1
5	504 2077	Outer Half	1
6	504 2095	Governor Guard	1
7	582 0306	Cent. Governor	1
8	504 2072	Washer	1
9	309 8032	Screw	1
10	504 1009	Shim	AR
11	414 0820	Drive Belt	1
12	504 1062	Fixed Pulley	1
13	405 6002	Bushing	1
14	504 1061	Sliding Pulley	1
15	414 0125	Release Spring	1
16	560 4001	Outer Cam	1
17	414 0126	Cam Slider Shoe	3
18	372 1123	Roll Pin	1
19	561 7053	Pulley Guard	1
20	369 0006	Screw	1
21	399 9015	Washer	1
22	414 0616	Spring	2
23	386 6019	Nut	1
24	414 0574	Steel Wire	AR
25	409 0012	Parallel Connector	2
26	414 0849	Hair Pin Cotter	1
27	507 0050	Brake Lever	1
28	507 0037	Shoe	1
29	507 0038	Lining	1
30	390 5001	Rivet	3
31	507 0051	Lug Spacer	2
32	309 8020	Screw	1
33	386 6019	Nut	3
34	309 8038	Screw	1
35	507 0047	Cable Lock Brkt	1
36	300 1001	Screw	1
37	414 0497	Spring	1
38	414 0748	Brake Cable	1
39	414 0358	Cable Housing	1
40	512 0108	Spacer	1
41	414 0579	Bombardier Crest	1



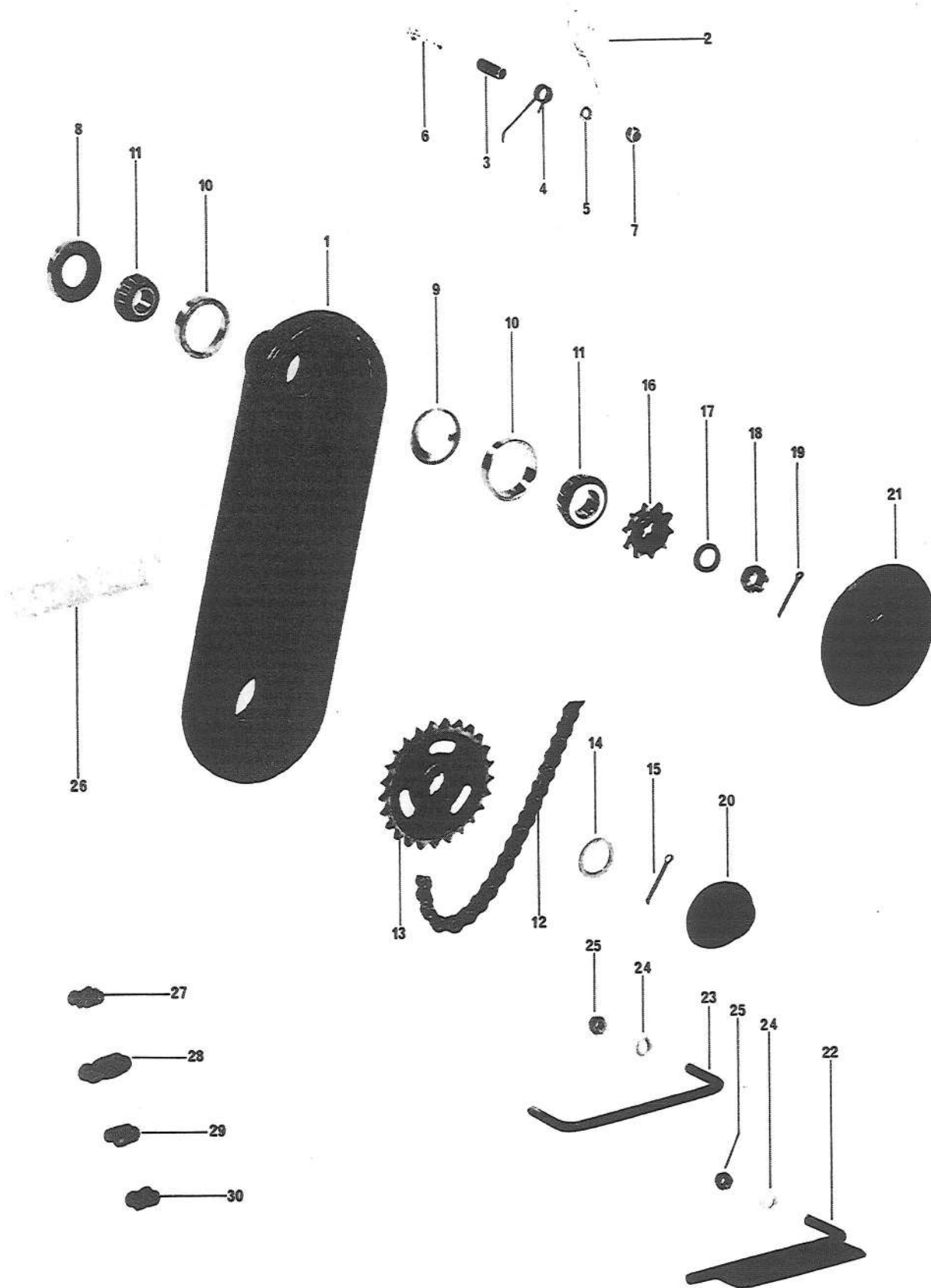


CHAIN CASE

SECTION 1-3



CHAIN CASE (ELAN)



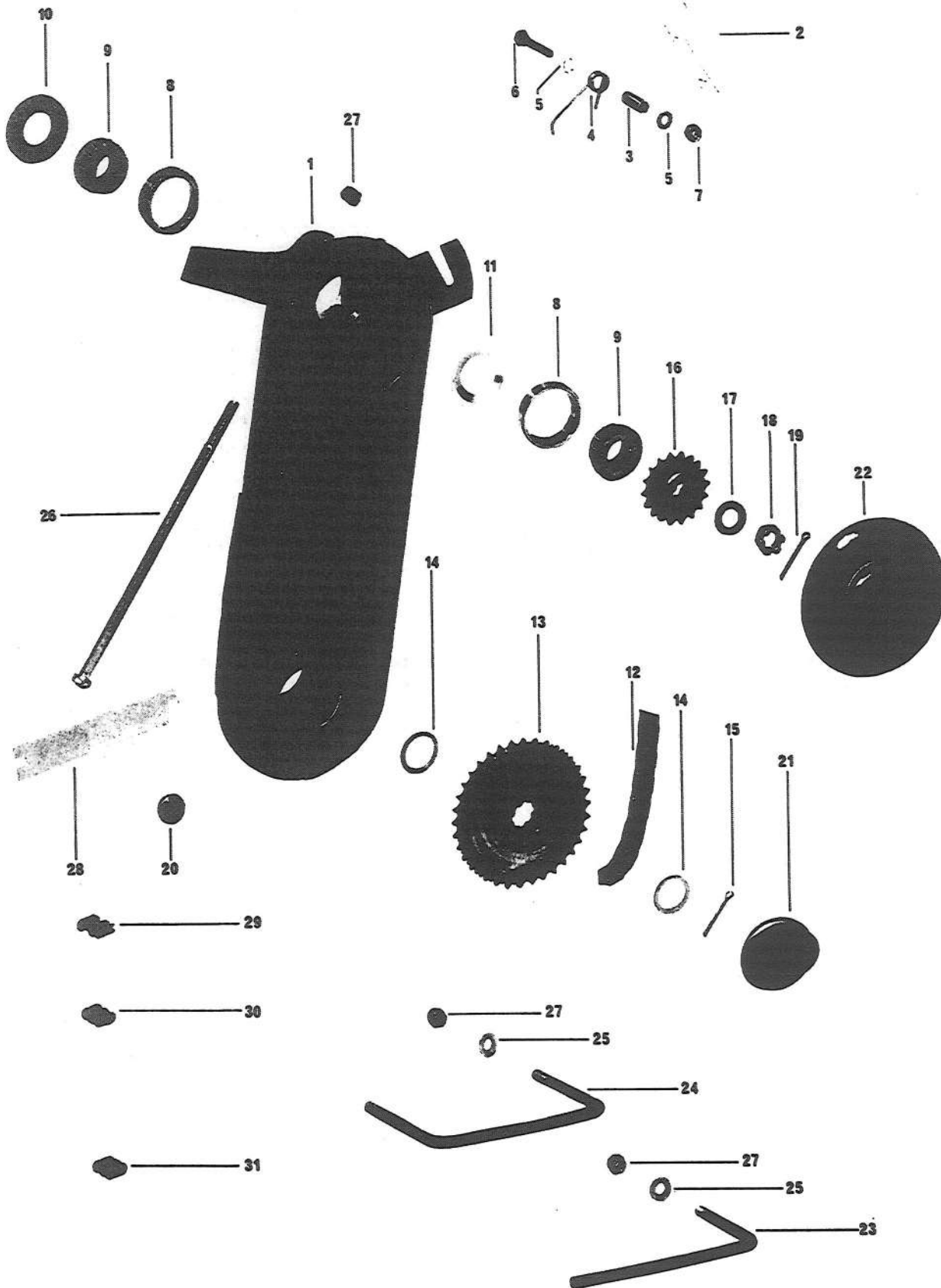
CHAIN CASE (ELAN)

1971

ITEM NO.	PART NO.	DESCRIPTION	QUANTITY	
			250	250E
1	504 0113	Chain Case	1	1
2	560 4009	Chain Tensioner	1	1
3	504 0114	Bushing	1	1
4	414 0545	Spring	1	1
5	402 0064	Washer (Fibre)	2	2
6	300 1005	Screw	1	1
7	386 6019	Nut	1	1
8	406 3001	Oil Seal	2	2
9	504 0046	Oil Retainer Ring	1	1
10	405 0002	Bearing Cup	2	2
11	405 0001	Bearing Cone	2	2
12	412 1015	Driving Chain	1	1
13	504 0013	Sprocket 25 Teeth, 1" Shaft, 1/2" Pitch, 10 Splines	1	1
14	504 0039	Spacer	2	2
15	371 0013	Cotter Pin	1	1
16	504 0008	Sprocket 10 Teeth, 3/4" Shaft 1/2" Pitch 8 Splines	1	1
17	504 0015	Shaft Washer	1	1
18	381 2028	Nut	1	1
19	371 0011	Cotter Pin	1	1
20	570 0413	Access Plug	1	1
21	570 0403	Inspection Cover	1	1
22	504 0143	Bracket	1	1
23	504 0025	"U" Clamp	1	1
24	399 9007	Washer	2	2
25	386 6022	Nut	3	3
26	504 0020	Shim	AR	AR
27	412 6001	Connecting Link Single 1/2", Pitch Single	AR	AR
28	412 6002	Cranked Link Double, 1/2" Pitch Single	AR	AR
29	412 6004	Cranked Link Single 1/2" Pitch Single	AR	AR
30	412 6010	Inner Link 1/2" Pitch Single	AR	AR



CHAIN CASE (OLYMPIQUE - T'NT 15")



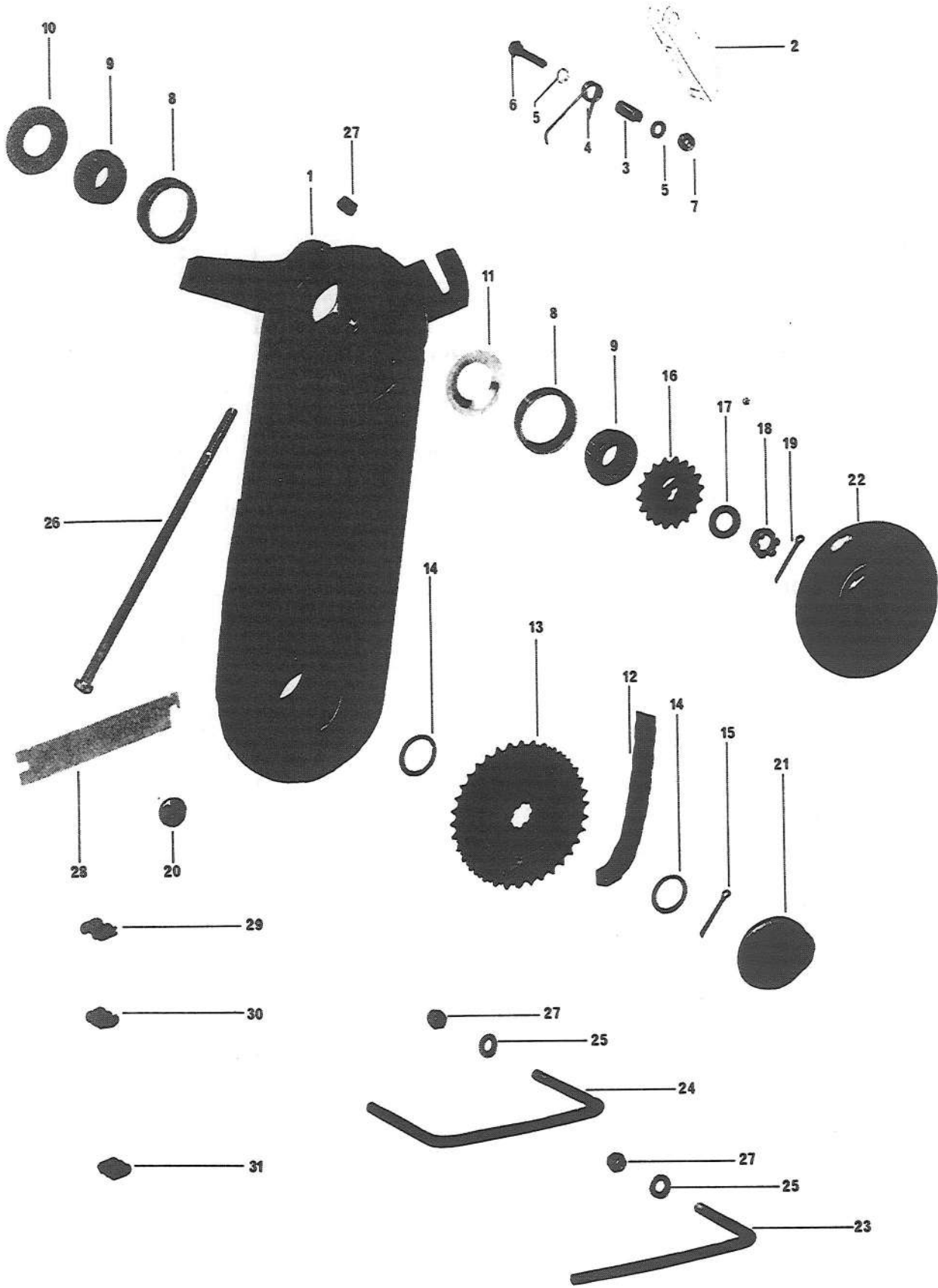
CHAIN CASE (OLYMPIQUE - T'NT 15")

1971

ITEM NO.	PART NO.	DESCRIPTION	QUANTITY					
			300	335	335E	399	TNT 292	TNT 340
1	504 0112	Chain Case	1	1	1		1	1
1	504 0115	Chain Case				1		
2	572 0402	Chain Tensioner	2	2	2	2	2	2
3	504 0104	Bushing	2	2	2	2	2	2
4	414 0545	Spring	2	2	2	2	2	2
5	402 0064	Washer (Fibre)	4	4	4	4	4	4
6	300 1006	Screw	2	2	2	2	2	2
7	386 6019	Nut	2	2	2	2	2	2
10	406 3001	Oil Seal	1	1	1	1	1	1
11	504 0046	Oil Retainer Ring	1	1	1	1	1	1
8	405 0002	Bearing Cup	2	2	2	2	2	2
9	405 0001	Bearing Cone	2	2	2	2	2	2
12	412 1007	Driving Chain	1	1	1	1	1	1
13	504 0045	Sprocket 34 Teeth Double 1" Shaft, 3/8" Pitch, 10 Splines.		1	1	1	1	1
13	504 0129	Sprocket 35 Teeth Double, 1" Shaft, 3/8" Pitch, 10 Splines.	1					
14	504 0039	Spacer	2	2	2	2	2	2
15	371 0013	Cotter Pin	1	1	1	1	1	1
16	504 0044	Sprocket 15 Teeth Double, 3/4" Shaft, 3/8" Pitch, 8 Splines.	1	1	1		1	
16	504 0061	Sprocket 16 Teeth Double 3/4" Shaft, 3/8" Pitch, 8 Splines.				1		1
17	504 0015	Shaft Washer	1	1	1	1	1	1
18	381 2028	Nut	1	1	1	1	1	1
19	371 0011	Cotter Pin	1	1	1	1	1	1
20	570 0406	Plug	1	1	1	1	1	1
21	570 0413	Access Plug	1	1	1	1	1	1
22	570 0403	Inspection Cover	1	1	1	1	1	1
23	504 0087	Bracket	1	1	1		1	1
23	504 0086	Bracket				1		
24	504 0042	"U" Clamp	1	1	1		1	1
24	504 0047	"U" Clamp				1		
25	391 0023	Washer	3	3	3	3	3	3
26	309 8039	Special Screw	1	1	1	1	1	1
27	386 6022	Nut	4	4	4	4	4	4
28	504 0020	Shim	AR	AR	AR	AR	AR	AR
29	412 6007	Connecting Link Single 3/8" Pitch Double	AR	AR	AR	AR	AR	AR
30	412 6008	Cranked Link Single 3/8" Pitch Double	AR	AR	AR	AR	AR	AR
31	412 6012	Inner Link 3/8" Pitch Double	AR	AR	AR	AR	AR	AR



CHAIN CASE (NORDIC - T'NT 18')



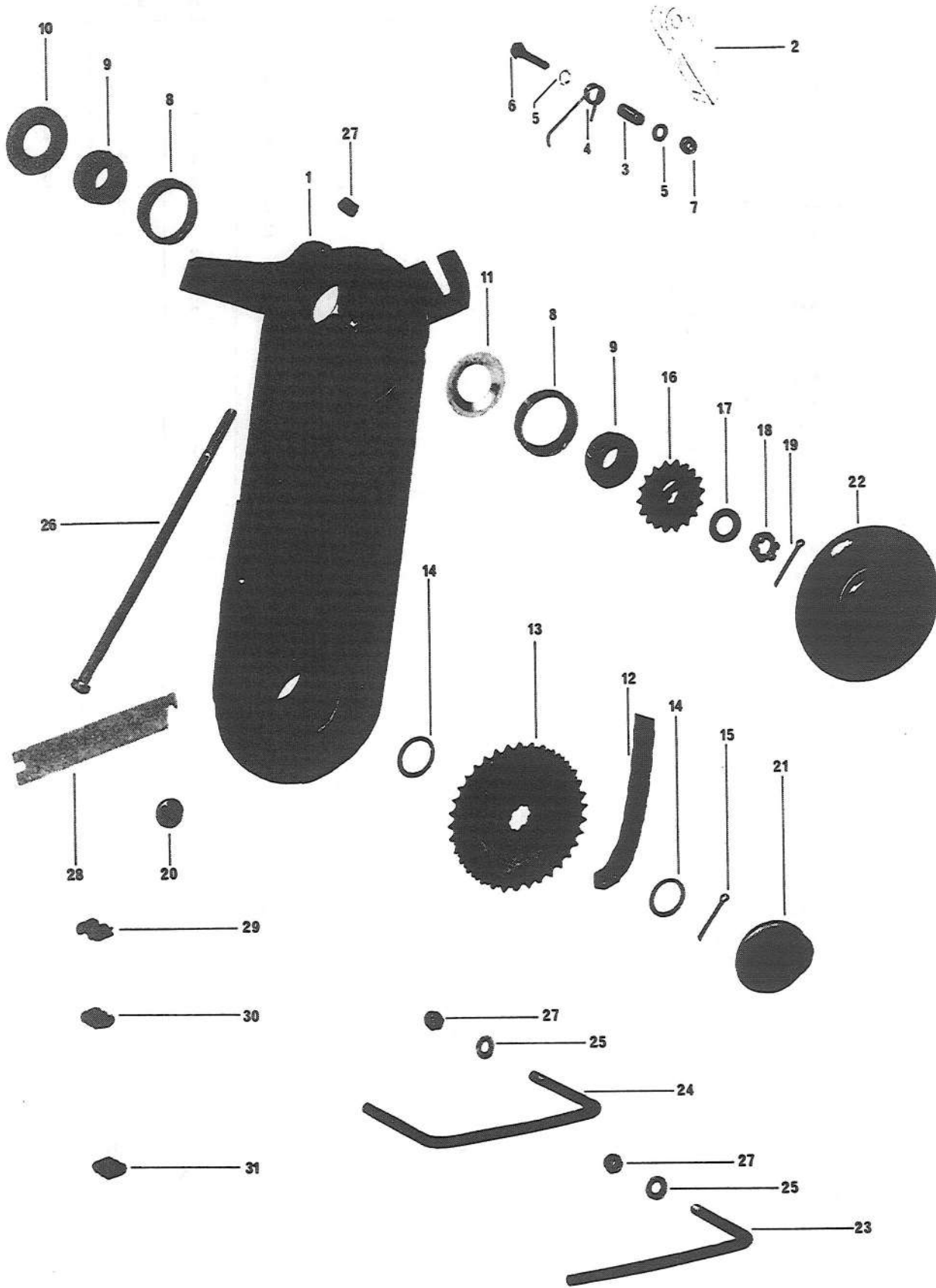
CHAIN CASE (NORDIC - T'NT 18'')

1971

ITEM NO.	PART NO.	DESCRIPTION	QUANTITY					
			399	399E	640E	T'NT 440	T'NT 640	T'NT 775
1	504 0112	Chain Case	1	1		1		
1	504 0116	Chain Case			1		1	1
2	572 0402	Chain Tensioner	2	2	2	2	2	2
3	504 0104	Bushing	2	2	2	2	2	2
4	414 0545	Spring	2	2	2	2	2	2
5	402 0064	Washer (Fibre)	4	4	4	4	4	4
6	300 1006	Screw	2	2	2	2	2	2
7	386 6019	Nut	2	2	2	2	2	2
8	405 0002	Bearing Cup	2	2		2		
8	405 0003	Bearing Cup			2		2	2
9	405 0001	Bearing Cone	2	2		2		
9	405 0004	Bearing Cone			2		2	2
10	406 3001	Oil Seal	1	1		1		
10	406 3003	Oil Seal			1		1	1
11	504 0046	Oil Retainer Ring	1	1		1		
11	504 0058	Oil Retainer Ring			1		1	1
12	412 1007	Driving Chain	1	1		1		
12	412 1010	Driving Chain			1		1	
12	412 1012	Driving Chain						1
13	504 0045	Sprocket 34 Teeth Double 1" Shaft, 3/8" 10 Splines	1	1	1	1	1	1
14	504 0039	Spacer	2	2	2	2	2	2
15	371 0013	Cotter Pin	1	1	1	1	1	1
16	504 0061	Sprocket 16 Teeth Double 3/4" Shaft, 3/8" Pitch 8 Splines	1	1		1		
16	504 0083	Sprocket 20 Teeth Double 1" Shaft, 3/8" Pitch 15 Splines			1		1	
16	504 0059	Sprocket 22 Teeth Double 1" Shaft, 3/8" Pitch 15 Splines						1
17	504 0015	Shaft Washer	1	1		1		
17	417 0009	Shaft Washer			1		1	1
18	381 2028	Nut	1	1		1		
18	389 8024	Nut			1		1	1
19	371 0011	Cotter Pin	1	1		1		
19	371 0032	Cotter Pin			1		1	1
20	570 0406	Plug	1	1	1	1	1	1
21	570 0413	Access Plug	1	1	1	1	1	1
22	570 0403	Inspection Cover	1	1	1	1	1	1
23	504 0087	Bracket	1	1		1		
23	504 0088	Bracket			1		1	1
24	504 0042	"U" Clamp	1	1		1		
24	504 2038	"U" Clamp			1		1	1
25	391 0023	Washer	3	3	3	3	3	3
26	309 8030	Special Screw	1	1	1	1	1	1
27	386 6022	Nut	4	4	4	4	4	4
28	504 0020	Shim	AR	AR	AR	AR	AR	AR
29	412 6007	Connecting Link Single 3/8" Pitch Double	AR	AR	AR	AR	AR	AR
30	412 6008	Cranked Link Single 3/8" Pitch Double	AR	AR	AR	AR	AR	AR
31	412 6012	Inner Link 3/8" Pitch Double	AR	AR	AR	AR	AR	AR



CHAIN CASE (NORDIC - T'NT 18")



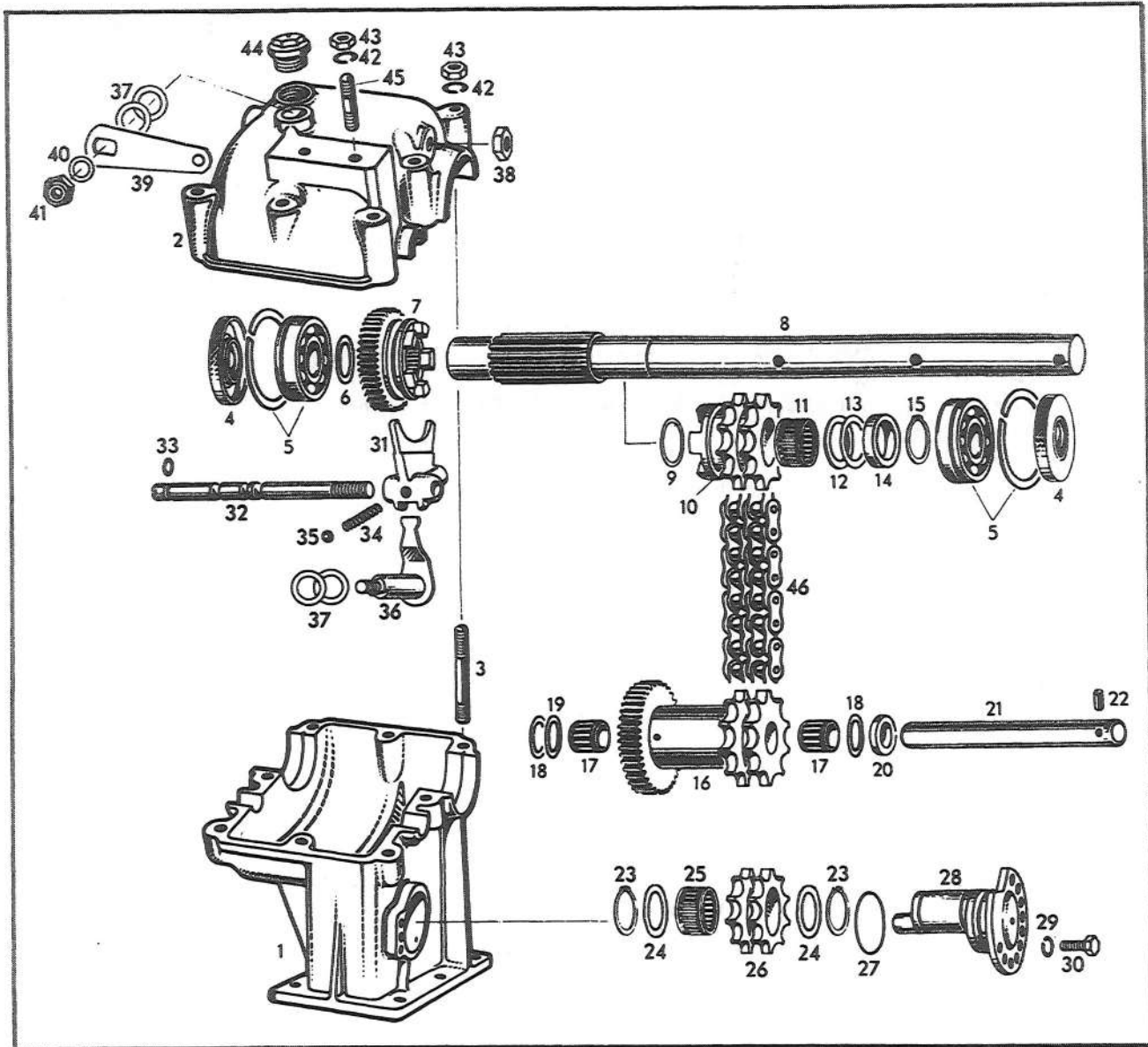
CHAIN CASE (SKANDIC)

1971

ITEM NO.	PART NO.	DESCRIPTION	QUANTITY
			335
1	504 0112	Chain Case	1
2	572 0402	Chain Tensioner	2
3	504 0104	Bushing	2
4	414 0545	Spring	2
5	402 0064	Washer (Fibre)	4
6	300 1006	Screw	2
7	386 6019	Nut	2
8	405 0002	Bearing Cup	2
9	405 0001	Bearing Cone	2
10	406 3001	Oil Seal	1
11	504 0046	Oil Retainer Ring	1
12	412 1013	Driving Chain	1
13	504 0130	Sprocket 33 Teeth Double, 1" Shaft, 3/8" Pitch, 10 Splines	1
14	504 0039	Spacer	2
15	371 0013	Cotter Pin	1
16	504 0102	Sprocket 12 Teeth Double, 3/4" Shaft, 3/8" Pitch, 8 Splines	1
17	504 0015	Shaft Washer	1
18	381 2028	Nut	1
19	371 0011	Cotter Pin	1
20	570 0406	Plug	1
21	570 0413	Access Plug	1
22	570 0403	Inspection Cover	1
23	504 0087	Bracket	1
24	504 0042	"U" Clamp	1
25	391 0023	Flat Washer	3
26	309 8030	Special Screw	1
27	386 6022	Nut	4
28	504 0020	Shim	AR
29	412 6007	Connecting Link Single, 3/8" Pitch Double	AR
30	412 6008	Cranked Link Single, 3/8" Pitch Double	AR
31	412 6012	Inner Link 3/8" Pitch Double	AR



GEAR BOX (VALMONT - ALPINE)



ITEM NO.	PART NO.	DESCRIPTION	QUANTITY	
			V	A
1-2-3	417 1051	Housing Ass'y	1	1
3	417 1006	Stud M8 x 52	8	8
4	417 1007	Oil Seal	2	2
5	405 4006	Ball Bearing With Groove Ring	2	2
6	402 1025	Shim 0,5MM	1	1
7	417 1008	Sliding Gear 31t	1	1
8	417 1009	Drive Shaft	1	1
9	417 1010	Washer 1MM	1	1
10	417 1011	Shift Sprocket 13t	1	1
11	417 1012	Needle Cage	1	1
12	402 1026	Shim 1,0MM	1	1
13	402 1023	Shim 0,2MM	AR	AR
	402 1024	Shim 0,3MM	AR	AR



GEAR-BOX (VALMONT - ALPINE)

1971

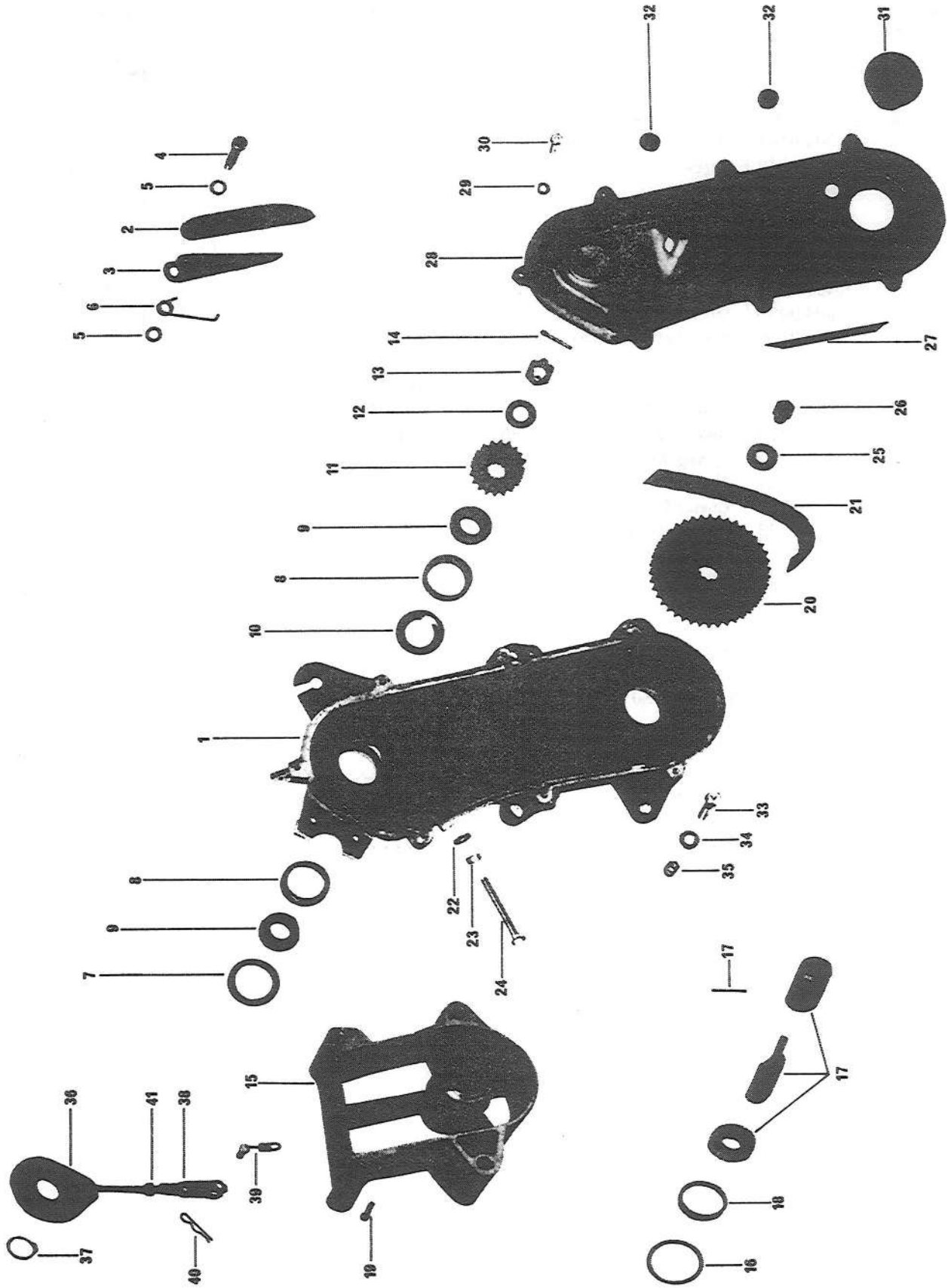
ITEM NO.	PART NO.	DESCRIPTION	QUANTITY	
			V	A
	402 1025	Shim 0,5MM	AR	
	402 1026	Shim 1,0MM	AR	
	402 1126	Shim 0,1MM	AR	
14	417 1013	Distance Sleeve 5,3MM.....	1	
15	417 1014	Circlip	1	
16	417 1015	Layshaft Gear Ass'y 34 and 13t	1	
17	417 1016	Needle Cage	2	
18	402 6016	Shim 1,0MM	2	
19	417 1035	Shim 0,3MM	AR	
	417 1036	Shim 0,5MM	AR	
	402 6016	Shim 1,0MM	AR	
	417 1037	Shim 0,15MM.....	AR	
20	417 1017	Distance Sleeve 7,5MM.....	1	
21	417 1018	Lay Axle	1	
22	417 1019	Dowel Tube	1	
23	417 1052	Circlip	2	
24	417 1044	Washer 1,5MM	2	
25	417 1046	Needle Cage	1	
26	417 1047	Tensioner Sprocket 14t	1	
27	417 1045	O-Ring	1	
28	417 1048	Tensioner Axle Ass'y	1	
29	402 0015	Lock Washer 6	1	
30	402 5011	Hex Screw M6 x 15.....	1	
31	417 1024	Gear Change Fork	1	
32	417 1025	Index Rod	1	
33	417 1026	O-Ring	1	
34	417 1027	Index Spring	1	
35	417 1028	Ball 1/4 Dia	1	
36	417 1029	Gear Change Shaft Ass'y.....	1	
37	417 1030	Shim 0,3MM	AR	
	417 1031	Shim 0,5MM	AR	
38	265 6001	Hex Nut M10	1	
39	417 1033	Gear Change Lever	1	
40	402 0031	Washer 8,4	1	
41	402 2106	Lock Nut M8	1	
42	402 0016	Lock Washer 8	10	
43	402 0018	Hex Nut M8	10	
44	417 1034	Vent Plug M18 x 1,5	1	
45	402 2003	Stud M8 x 18.....	2	
46	412 1016	Double Roller Chain 1/2 x 5/16", 68 Links For Alpine 640 & Valmont 640 ..	1	
46	412 1017	Double Roller Chain 1/2 x 5 /16", 74 Links For Alpine 401 and Valmont 401	1	



ITEM NO.	PART NO.	DESCRIPTION	QUANTITY			
			291	336	397	437
1	504 0158	Chain Case	1	1	1	1
2	572 0403	Chain Tensioner	1	1	1	1
3	504 0161	Reinforcement bracket	1	1	1	1
4	303 1048	Screw	1	1	1	1
5	504 0166	Spacer	2	2	2	2
6	414 0545	Spring	1	1	1	1
7	406 3003	Oil Seal	1	1	1	1
8	405 0003	Bearing Cup	2	2	2	2
9	405 0004	Bearing Cone	2	2	2	2
10	504 0058	Oil Retainer Ring	1	1	1	1
11	504 0139	Sprocket 18.T Triple 1" Shaft 3/8" Pitch 15 Splines	1	1		
11	504 0138	Sprocket 17.T Triple 1" Shaft 3/8" Pitch 15 Splines	1			
11	504 0140	Sprocket 19.T Triple 1" Shaft 3/8" Pitch 15 Splines	1	1	1	1
11	504 0118	Sprocket 20.T Triple 1" Shaft 3/8" Pitch 15 Splines		1	1	1
11	504 0119	Sprocket 21.T Triple 1" Shaft 3/8" Pitch 15 Splines			1	1
12	417 0009	Spring Washer	1	1	1	1
13	389 8024	Nut	1	1	1	1
14	371 0032	Cotter Pin	1	1	1	1
15	504 0142	Sprocket 40.T Triple 7/8" Shaft 3/8" Pitch 10 Splines	1	1	1	1
16	412 1018	Driving Chain	1	1	1	1
17	399 9048	Washer	1	1	1	1
18	380 9022	Nut	1	1	1	1
19	300 5050	Screw	1	1	1	1
20	399 9050	Washer	1	1	1	1
21	300 0150	Screw	1	1	1	1
22	406 0004	O'Ring Seal	1	1	1	1
23	504 0159	Cover	1	1	1	1
24	399 9049	Washer	7	7	7	7
25	300 5003	Screw	7	7	7	7
26	570 0413	Access Plug	1	1	1	1
27	570 0406	Chain Case Plug	2	2	2	2
28	300 1085	Screw	3	3	3	3
29	300 1086	Screw	1	1	1	1
30	399 9027	Washer	7	7	7	7
31	386 6024	Nut	4	4	4	4



CHAIN CASE (BLIZZARD 16-1/2")



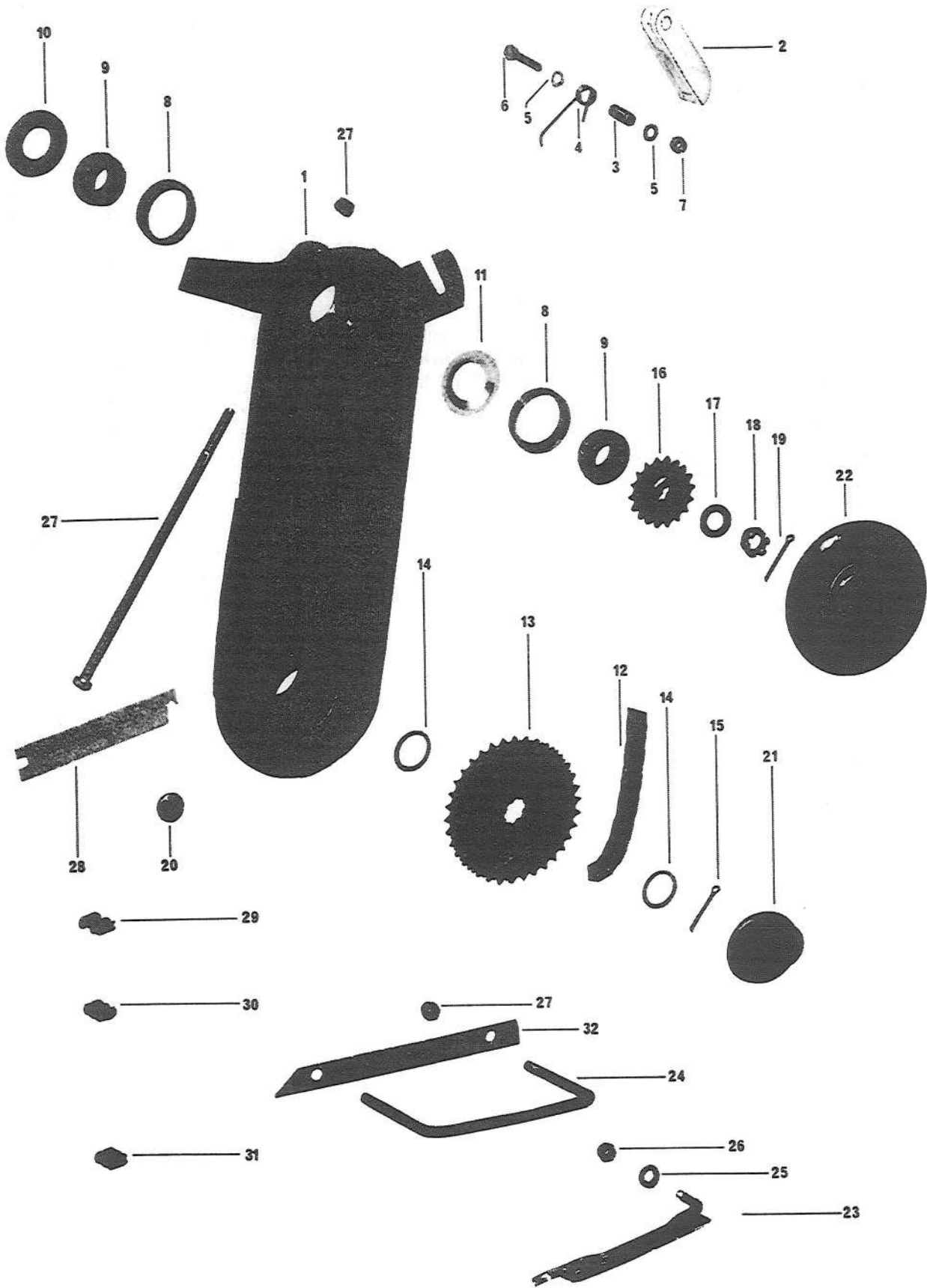
CHAIN CASE (BLIZZARD 16-1/2")

1971

ITEM NO.	PART NO.	DESCRIPTION	QUANTITY	
			636	797
1	504 0158	Chain Case	1	1
2	572 0403	Chain Tensioner	1	1
3	504 0161	Reinforcement Bracket	1	1
4	303 1048	Screw	1	1
5	504 0166	Spacer	2	2
6	414 0545	Spring	1	1
7	406 3003	Oil Seal	1	1
8	405 0003	Bearing Cup	2	2
9	405 0004	Bearing Cone	2	2
10	504 0058	Oil Retainer Ring	1	1
11	504 0119	Sprocket 21 T Triple 1" Shaft 3/8" Pitch 15 Splines	1	
11	504 0118	Sprocket 20 T Triple 1" Shaft 3/8" Pitch 15 Splines	1	
11	504 0120	Sprocket 22 T Triple 1" Shaft 3/8" Pitch 15 Splines	1	1
11	504 0121	Sprocket 23 T Triple 1" Shaft 3/8" Pitch 15 Splines		1
11	504 0122	Sprocket 24 T Triple 1" Shaft 3/8" Pitch 15 Splines		1
12	417 0009	Spring Washer	1	1
13	389 8024	Nut	1	1
14	371 0032	Cotter Pin	1	1
15	504 0168	Spacer (Chain Case)	1	1
16	406 0005	O-Ring Seal	1	1
17	581 0335	Shaft Ass'y	1	1
18	504 0169	Spacer	1	1
19	303 9003	Screw	2	2
20	504 0142	Sprocket 40T Triple 7/8" Shaft 3/8" Pitch 10 Splines	1	1
21	412 1019	Chain	1	1
22	399 9048	Washer	1	1
23	380 9022	Nut	1	1
24	300 5050	Screw	1	1
25	399 9050	Washer	1	1
26	300 0150	Screw	1	1
27	406 0004	O'Ring Seal	1	1
28	504 0159	Cover	1	1
29	399 9049	Washer	7	7
30	300 5003	Bolt	7	7
31	570 0413	Access Plug	1	1
32	570 0406	Chain Case Plug	2	2
33	300 9100	Screw	4	4
34	399 9027	Washer	7	7
35	386 6024	Nut	4	4
36	504 1072	Driven Pulley Support	1	1
37	414 0948	Snap Ring	1	1
38	114 0062	Clevis	1	1
39	517 0367	Retainer Wire Ass'y	1	1
40	414 0322	Hair Pin Cotter	1	1
41	380 7022	Nut	1	1



CHAIN CASE (BLIZZARD 246)



ITEM NO.	PART NO.	DESCRIPTION	QUANTITY
			246
1	504 0112	Chain Case	1
2	572 0402	Chain Tensioner	2
3	504 0104	Bushing	2
4	414 0545	Spring	2
5	402 0064	Washer (Fibre)	4
6	300 1006	Screw	2
7	386 6019	Nut	2
8	405 0002	Bearing Cup	2
9	405 0001	Bearing Cone	2
10	406 3001	Oil Seal	1
11	504 0046	Oil Retainer Ring	1
12	412 1007	Driving Chain	1
13	504 0129	Sprocket 35T Double 1" Shaft 3/8" Pitch 10 Splines	1
14	504 0039	Spacer	2
15	371 0013	Cotter Pin	1
16	504 0044	Sprocket 15T Double 3/4" Shaft 3/8" Pitch 8 Splines	1
17	504 0015	Shaft Washer	1
18	381 2028	Nut	1
19	371 0011	Cotter Pin	1
20	570 0406	Plug	1
21	570 0413	Access Plug	1
22	570 0403	Inspection Cover	1
23	504 0175	Chain Case Bracket	1
24	504 0042	"U" Clamp	1
25	399 9007	Flat Washer	1
26	386 6022	Nut	4
27	309 8039	Special Screw	1
28	504 0020	Shim	AR
29	412 6007	Connecting Link Single 3/8" Pitch Double	AR
30	412 6008	Cranked Link Single 3/8" Pitch Double	AR
31	412 6012	Inner Link 3/8" Pitch Double	AR
32	504 0176	Spacer	1





SKI

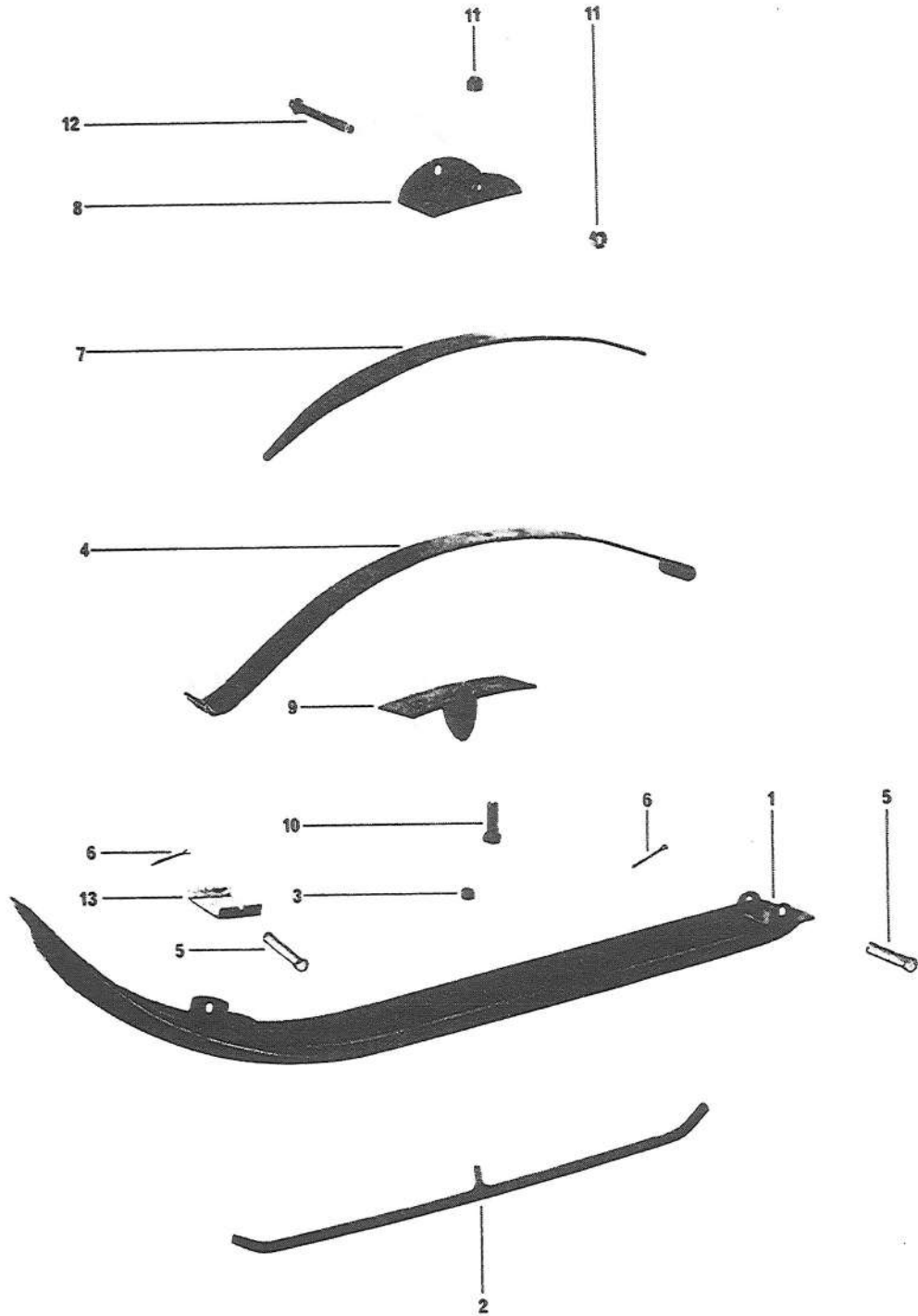
SECTION 1-4

SKI
RUNNER SHOE
LEAF SPRING



1971

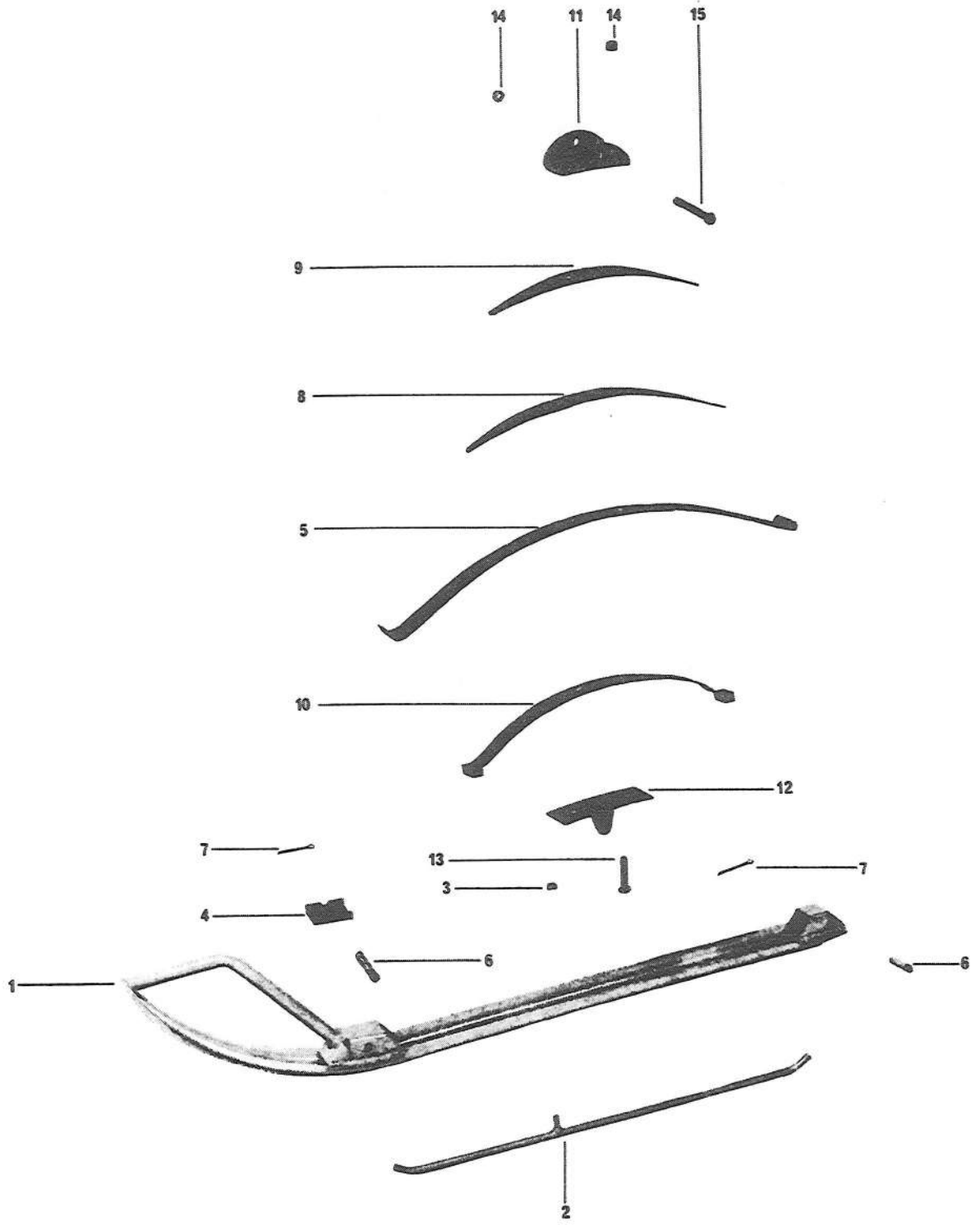
SKI (ELAN)



ITEM NO.	PART NO.	DESCRIPTION	QUANTITY	
			250	250E
1	505 0058	Ski	2	2
2	505 0059	Runner Shoe	2	2
3	387 2019	Nut	2	2
4	505 0060	Main Leaf Spring	2	2
5	414 0604	Retainer Pin	4	4
6	371 0011	Cotter Pin	4	4
7	505 0068	Auxiliary Leaf Spring	2	2
8	505 0037	Spring Coupler	2	2
9	570 0502	Rebound Leaf	2	2
10	300 8083	Screw	4	4
11	389 8036	Nut	6	6
12	309 8035	Screw	2	2
13	505 0064	Spring Slider Cushion	2	2

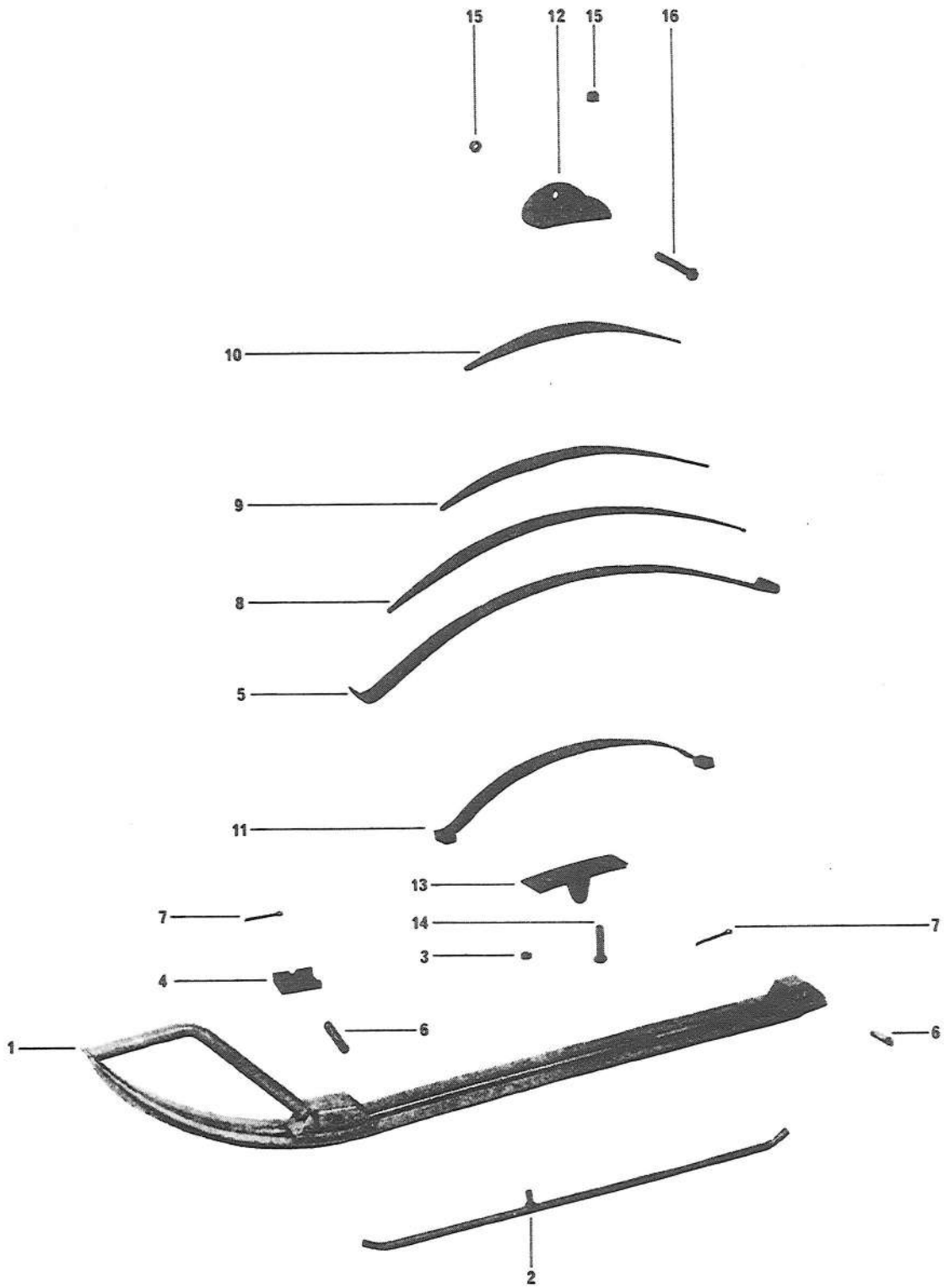


SKI (OLYMPIQUE - T'NT 15'')



ITEM NO.	PART NO.	DESCRIPTION	QUANTITY						
			300	335	335E	399	399E	T'NT 292	T'NT 340
1	505 0061	Ski	2	2	2	2	2	2	2
2	505 0046	Runner Shoe	2	2	2	2	2	2	2
3	387 2022	Nut	2	2	2	2	2	2	2
4	505 0033	Spring Slider Cushion	2	2	2	2	2	2	2
5	505 0090	Main Leaf Spring	2	2	2	2	2	2	2
6	414 0665	Retainer Pin	4	4	4	4	4	4	4
7	371 0011	Cotter Pin	4	4	4	4	4	4	4
8	505 0013	Auxiliary Leaf Spring	2	2	2	2	2	2	2
9	505 0015	Auxiliary Leaf Spring	2	2	2	2	2	2	2
10	505 0054	Over Load Leaf Spring						2	2
11	505 0045	Spring Coupler	2	2	2	2	2	2	2
12	570 0502	Rebound Leaf	2	2	2	2	2		
13	300 8084	Screw	4	4	4	4	4	4	4
14	389 8036	Nut	6	6	6	6	6	6	6
15	309 8035	Screw	2	2	2	2	2	2	2

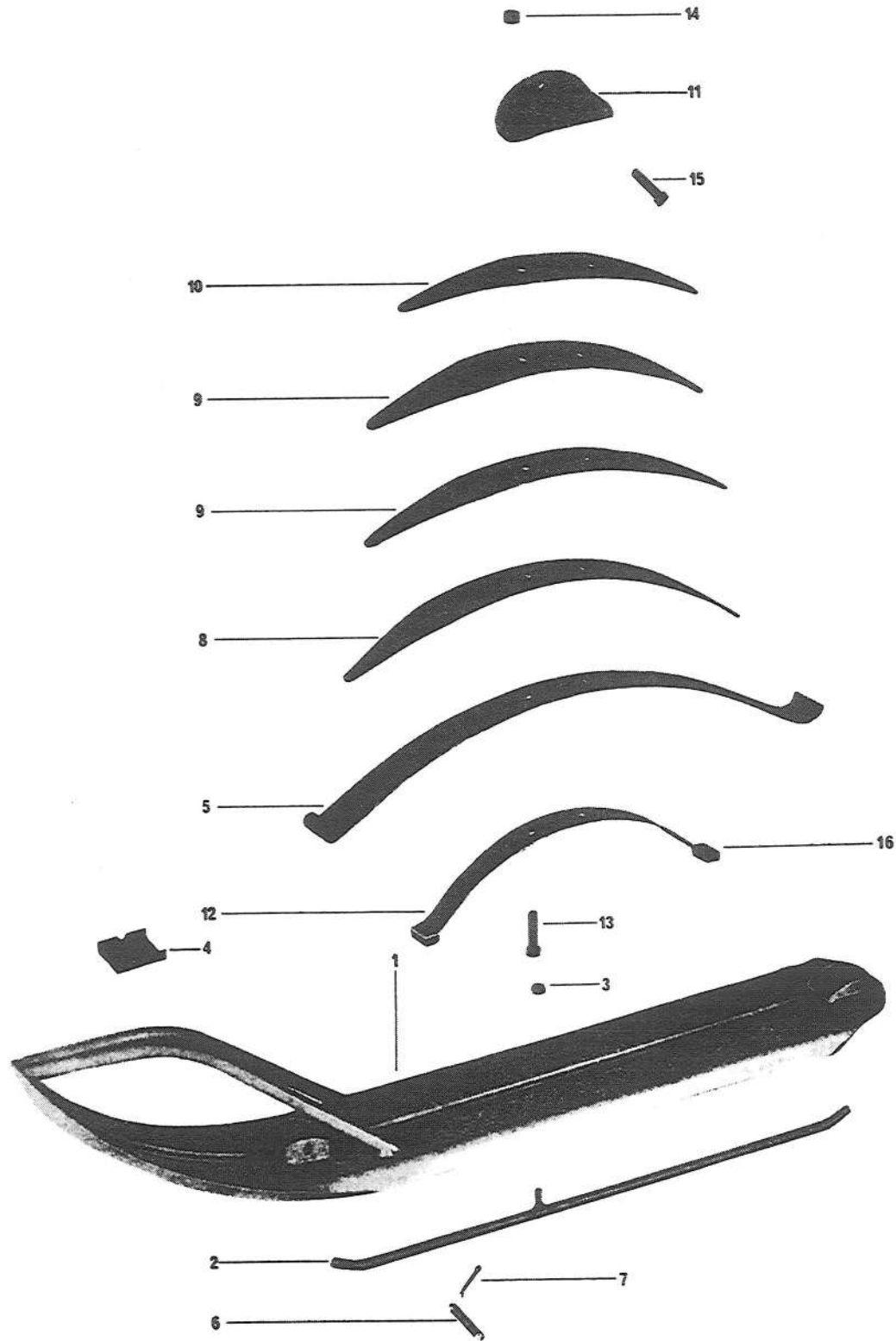




ITEM NO.	PART NO.	DESCRIPTION	QUANTITY						
			S 335	N 399	N 399E	N 640E	T'NT 440	T'NT 640	T'NT 775
1	505 0061	Ski	2	2	2	2	2	2	2
2	505 0046	Runner Shoe	2	2	2	2	2	2	2
3	387 2022	Nut	2	2	2	2	2	2	2
4	505 0033	Spring Slider Cushion	2	2	2	2	2	2	2
5	505 0091	Main Leaf Spring	2	2	2	2			
5	505 0090	Main Leaf Spring					2	2	2
6	414 0665	Retainer Pin	4	4	4	4	4	4	4
7	371 0011	Cotter Pin	4	4	4	4	4	4	4
8	505 0014	Auxiliary Spring	2	2	2	2	2	2	2
9	505 0013	Auxiliary Spring	2	2	2	2	2	2	2
10	505 0015	Auxiliary Spring	2	2	2	2	2	2	2
11	505 0054	Overload Leaf Spring					2	2	2
12	505 0045	Spring Coupler	2	2	2	2	2	2	2
13	570 0502	Rebound Leaf	2	2	2	2			
14	300 8085	Screw	4	4	4	4	4	4	4
15	389 8036	Nut	6	6	6	6	6	6	6
16	309 8035	Screw	2	2	2	2	2	2	2



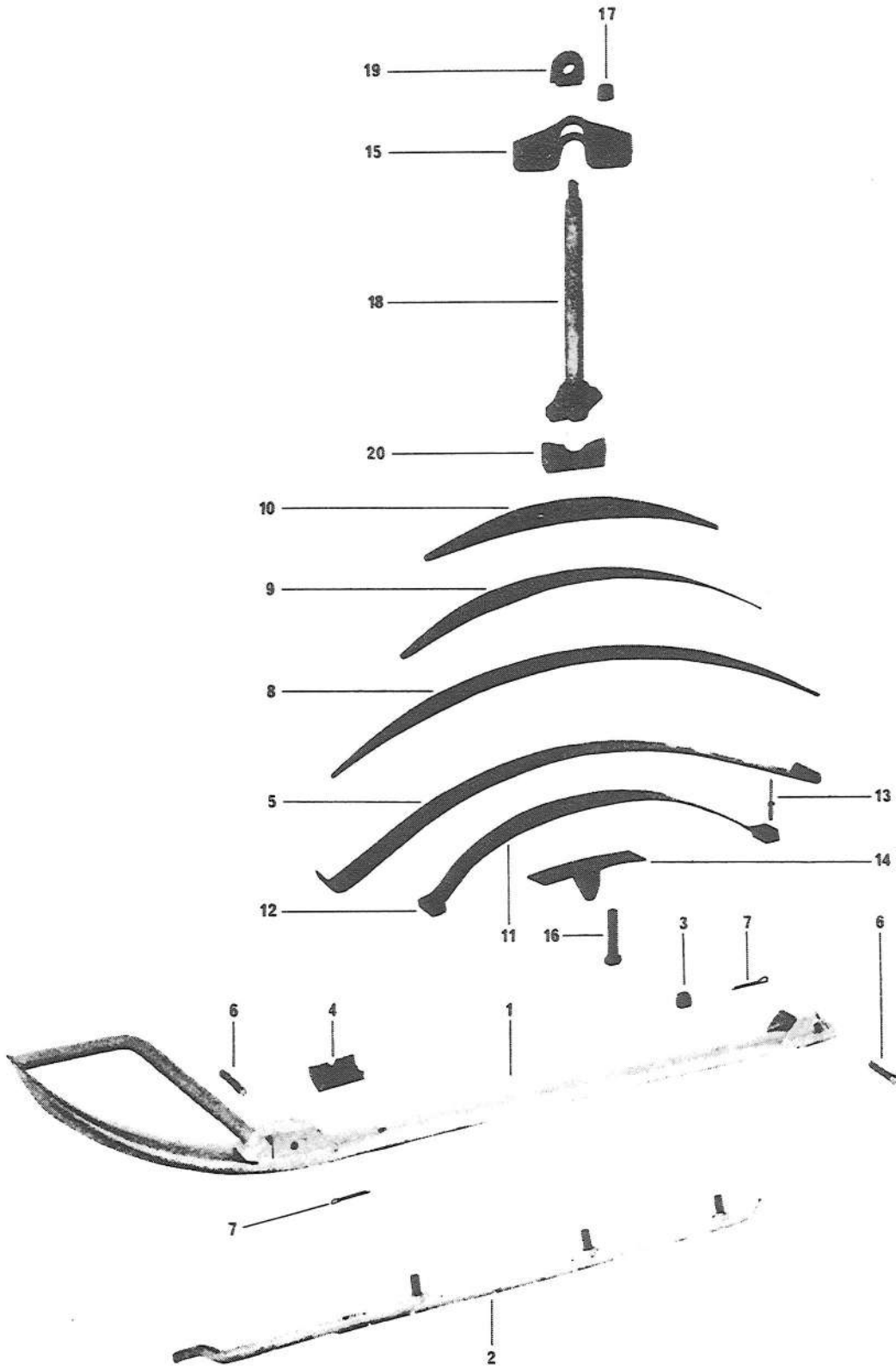
SKI (VALMONT - ALPINE)



ITEM NO.	PART NO.	DESCRIPTION	QUANTITY					
			V 399R	V 399ER	V 640ER	A 399R	A 399ER	A 640ER
1	505 0065	Ski	1	1	1	1	1	1
2	505 0046	Runner Shoe	1	1	1	1	1	1
3	387 2022	Nut	1	1	1	1	1	1
4	505 0033	Spring Slider Cushion	1	1	1	1	1	1
5	505 0091	Main Leaf Spring	1	1	1	1	1	1
6	505 0034	Retainer Pin	2	2	2	2	2	2
7	371 0011	Cotter Pin	2	2	2	2	2	2
8	505 0014	Auxiliary Spring	1	1	2	1	1	2
9	505 0013	Auxiliary Spring	2	2	1	2	2	1
10	505 0015	Auxiliary Leaf Spring	1	1	1	1	1	1
11	505 0053	Spring Coupler	1	1	1	1	1	1
12	505 0054	Overload Leaf Spring	1	1	1	1	1	1
13	300 8085	Screw	2	2	2	2	2	2
14	389 8036	Nut	3	3	3	3	3	3
15	309 8033	Screw	1	1	1	1	1	1
16	570 0505	Cushion	2	2	2	2	2	2
	390 4025	Rivet	4	4	4	4	4	4



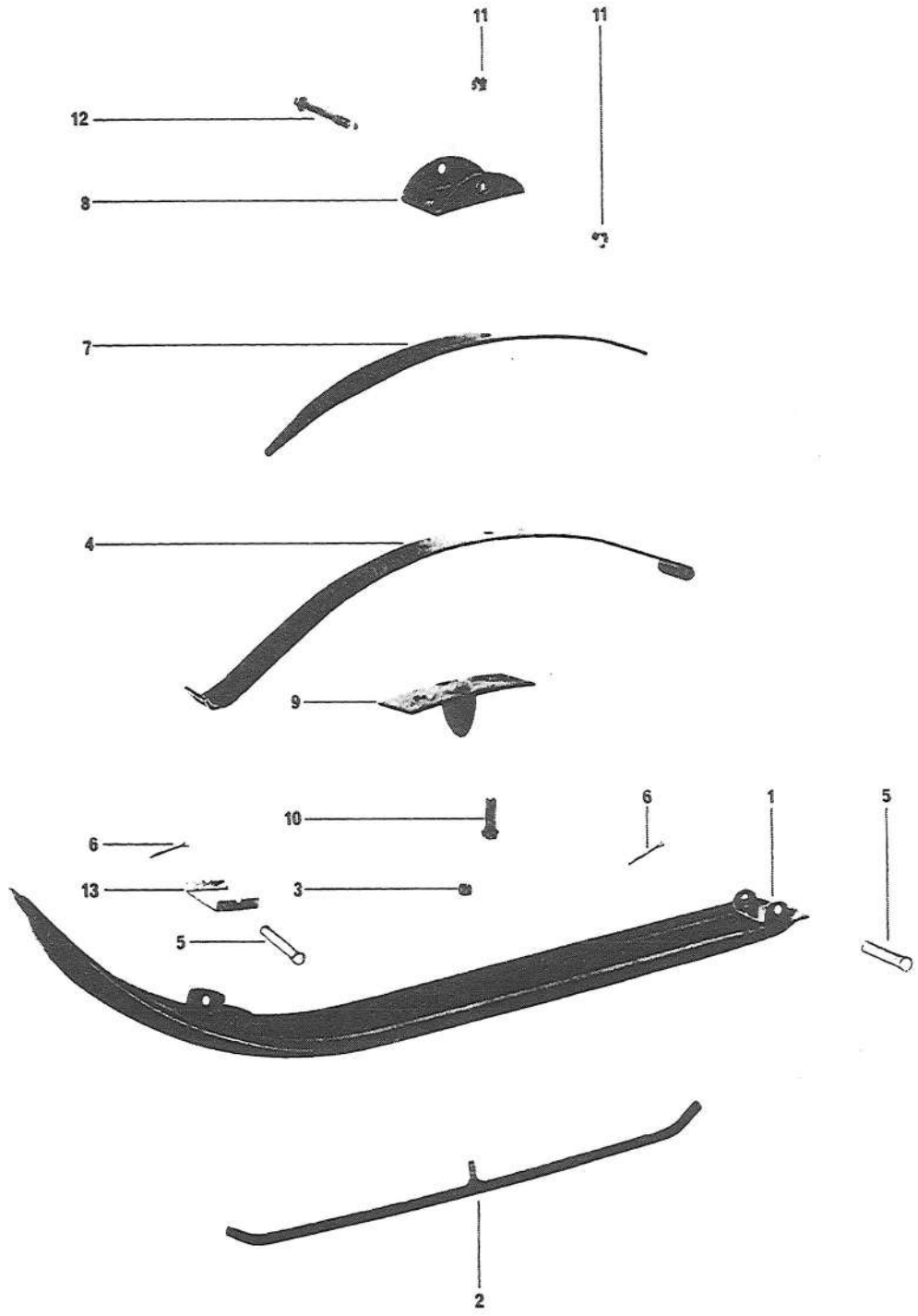
SKI (BLIZZARD 15" - 16-1/2")



ITEM NO.	PART NO.	DESCRIPTION	QUANTITY					
			291	336	397	437	636	797
1	505 0067	Ski	2	2	2	2	2	2
2	560 5001	Runner Shoe	2	2	2	2	2	2
3	387 2024	Nut	6	6	6	6	6	6
4	505 0033	Spring Slider Cushion	2	2	2	2	2	2
5	505 0016	Main Leaf Spring	2	2	2	2	2	2
6	414 0665	Retainer Pin	4	4	4	4	4	4
7	371 0011	Cotter Pin	4	4	4	4	4	4
8	505 0014	Auxiliary Leaf Spring	2	2	2	2	2	2
9	505 0013	Auxiliary Leaf Spring	2	2	2	2	2	2
10	505 0015	Auxiliary Leaf Spring	2	2	2	2	2	2
11	505 0082	Overload Leaf Spring	2	2	2	2	2	2
12	570 0505	Cushion	4	4	4	4	4	4
13	390 4025	Rivet	8	8	8	8	8	8
14	570 0502	Rebound Leaf	2	2	2	2	2	2
15	505 0086	Spring Coupler	2	2	2	2	2	2
16	300 8085	Screw	2	2	2	2	2	2
17	389 8036	Nut	2	2	2	2	2	2
18	506 0163	R.H. Ski Leg	1	1	1	1	1	1
18	506 0164	L.H. Ski Leg	1	1	1	1	1	1
19	572 0501	Bushing	4	4	4	4	4	4
20	570 0606	Stabilizer	2	2	2	2	2	2



SKI (BLIZZARD 246)



ITEM NO.	PART NO.	DESCRIPTION	QUANTITY
			246
1	505 0058	Ski	2
2	505 0059	Runner Shoe	2
3	387 2019	Nut	2
4	505 0060	Main Leaf Spring	2
5	414 0604	Retainer Pin	4
6	371 0011	Cotter Pin	4
7	505 0068	Auxiliary Leaf Spring	2
8	505 0037	Spring Coupler	2
9	570 0502	Rebound Leaf	2
10	300 8083	Screw	4
11	389 8036	Nut	6
12	309 8035	Screw	2
13	505 0064	Spring Slider Cushion	2





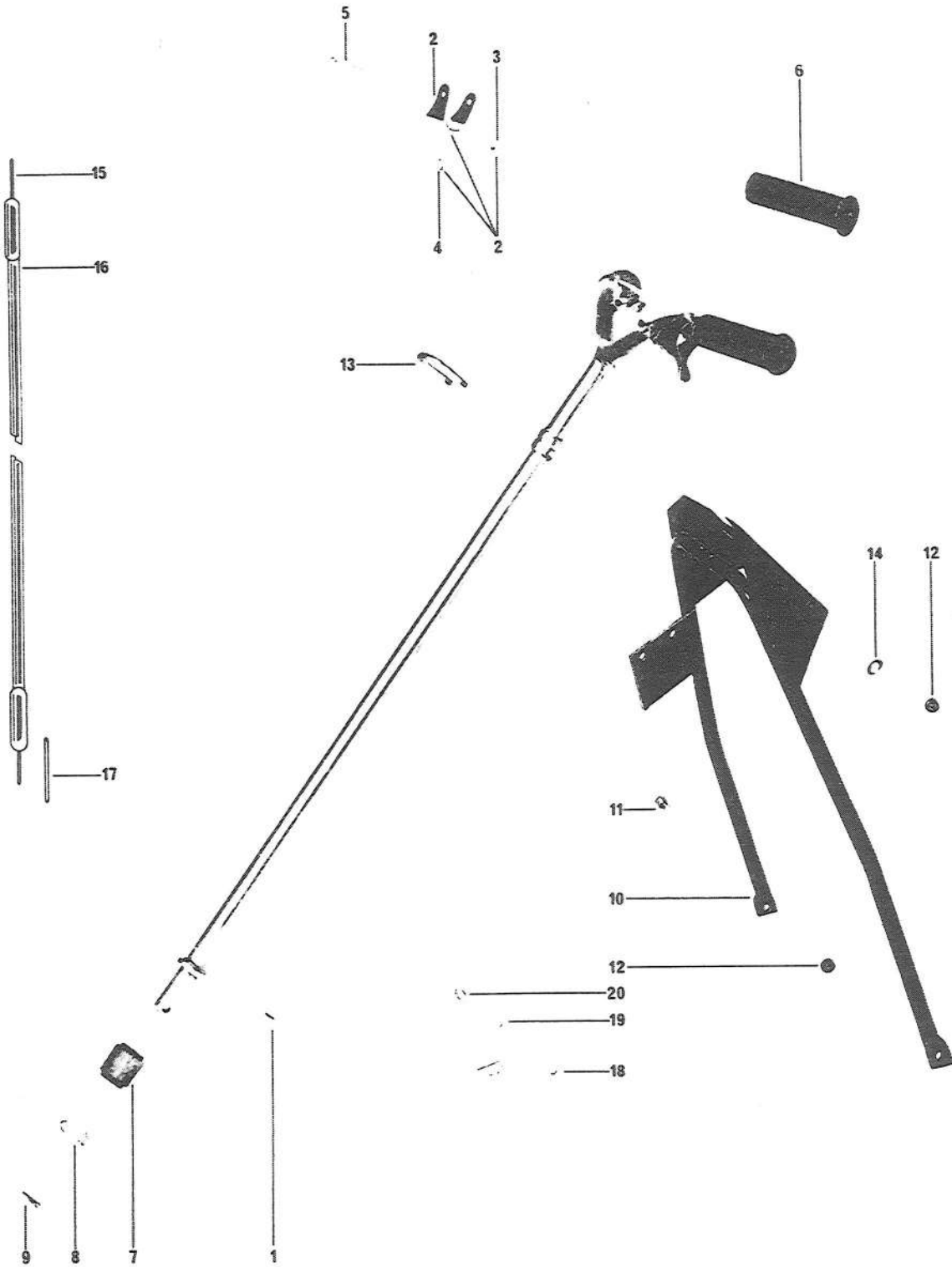
STEERING

SECTION 1-5

UPPER COLUMN
STEERING BRACKET
HANDLE BAR
HANDLE
HAND HANDLE
TIE ROD
SKI LEG



STEERING (ELAN)



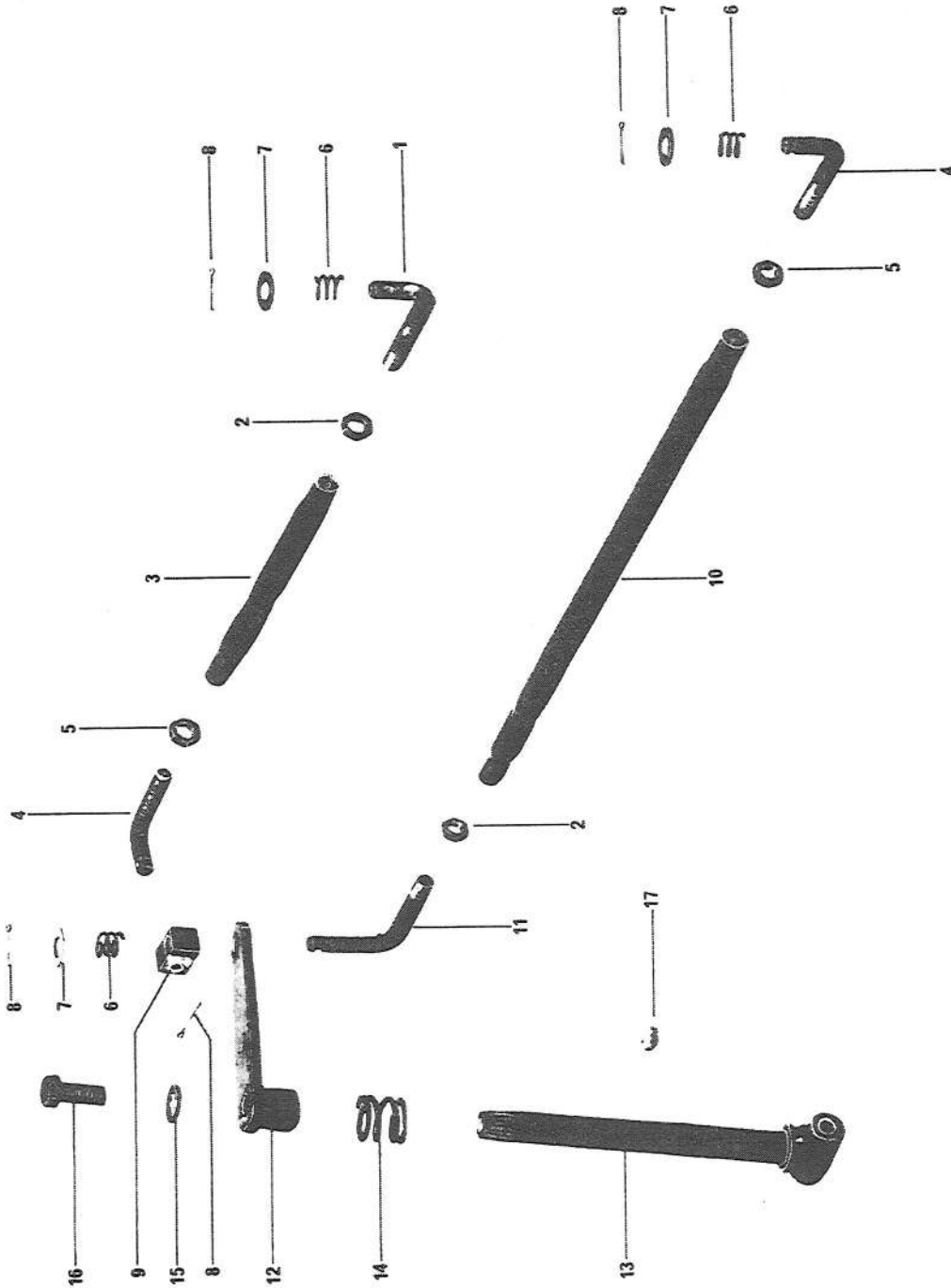
STEERING (ELAN)

1971

ITEM NO.	PART NO.	DESCRIPTION	QUANTITY	
			250	250E
1	506 0122	Handle Bar	1	1
2	581 1036	Control Handle Assembly	2	2
2	506 0041	Hand Handle	2	2
3	506 0073	Cable Slug Retainer	2	2
4	390 5006	Rivet	2	2
5	390 9001	Rivet	2	2
6	572 1704	Grip	2	2
7	580 1154	Steering Bushing	1	1
8	506 0120	Washer	1	1
9	372 1122	Roll Pin	1	1
10	506 0119	Upper Column	1	
10	506 0137	Upper Column		1
11	300 1001	Screw	2	2
12	386 6019	Nut	4	4
13	414 0591	"U" Clamp	1	1
14	399 9015	Washer	2	2
15	414 0277	Brake Cable	1	1
15	414 0264	Throttle Cable	1	1
16	414 0263	Cable Housing	2	2
17	414 0452	Cable Protector	1	1
18	510 0022	Cable Retainer	2	2
19	392 0019	Washer	2	2
20	300 5000	Screw	2	2



TIE ROD (ELAN)



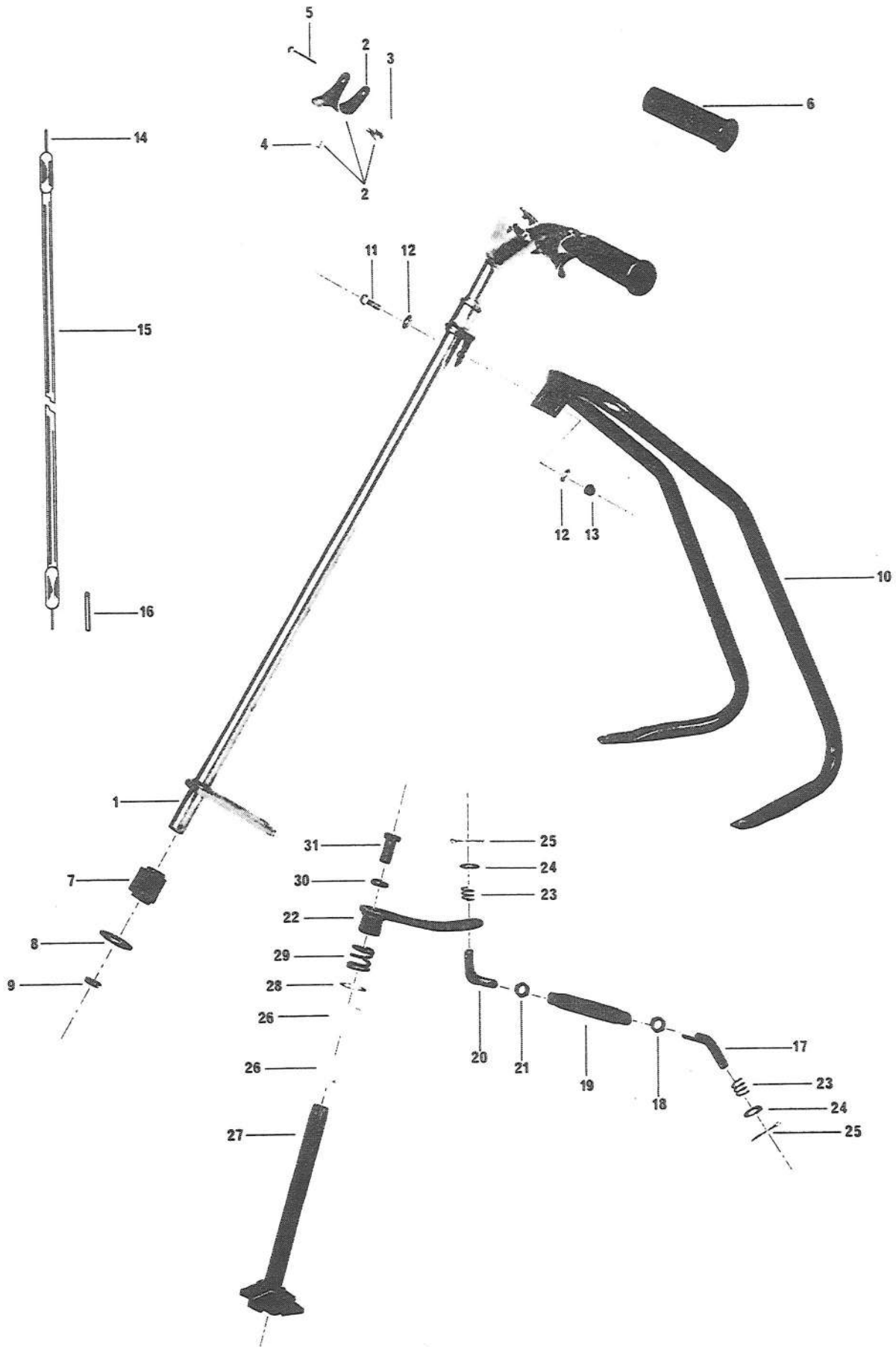
TIE ROD (ELAN)

1971

ITEM NO.	PART NO.	DESCRIPTION	QUANTITY	
			250	250E
1	506 0044	Center Tie Rod End	1	1
2	389 8016	Jam Nut L.H.	2	2
3	506 0043	Upper Tie Rod	1	1
4	506 0017	Tie Rod End L.H.	2	2
5	389 8015	Jam Nut R.H.	2	2
6	414 0364	Spring	3	3
7	391 0025	Washer	3	3
8	371 0031	Cotter Pin	4	4
9	506 0023	Tie Rod Swivel	1	1
10	506 0022	Lower Tie Rod	1	1
11	506 0018	Tie Rod End R.H.	1	1
12	506 0121	Steering Arm	2	2
13	506 0123	Ski Leg	2	2
14	414 0127	Spring	2	2
15	399 8019	Washer	2	2
16	300 8123	Screw	2	2
17	408 2001	Grease Fitting	2	2



STEERING (OLYMPIQUE - T'NT 15'')

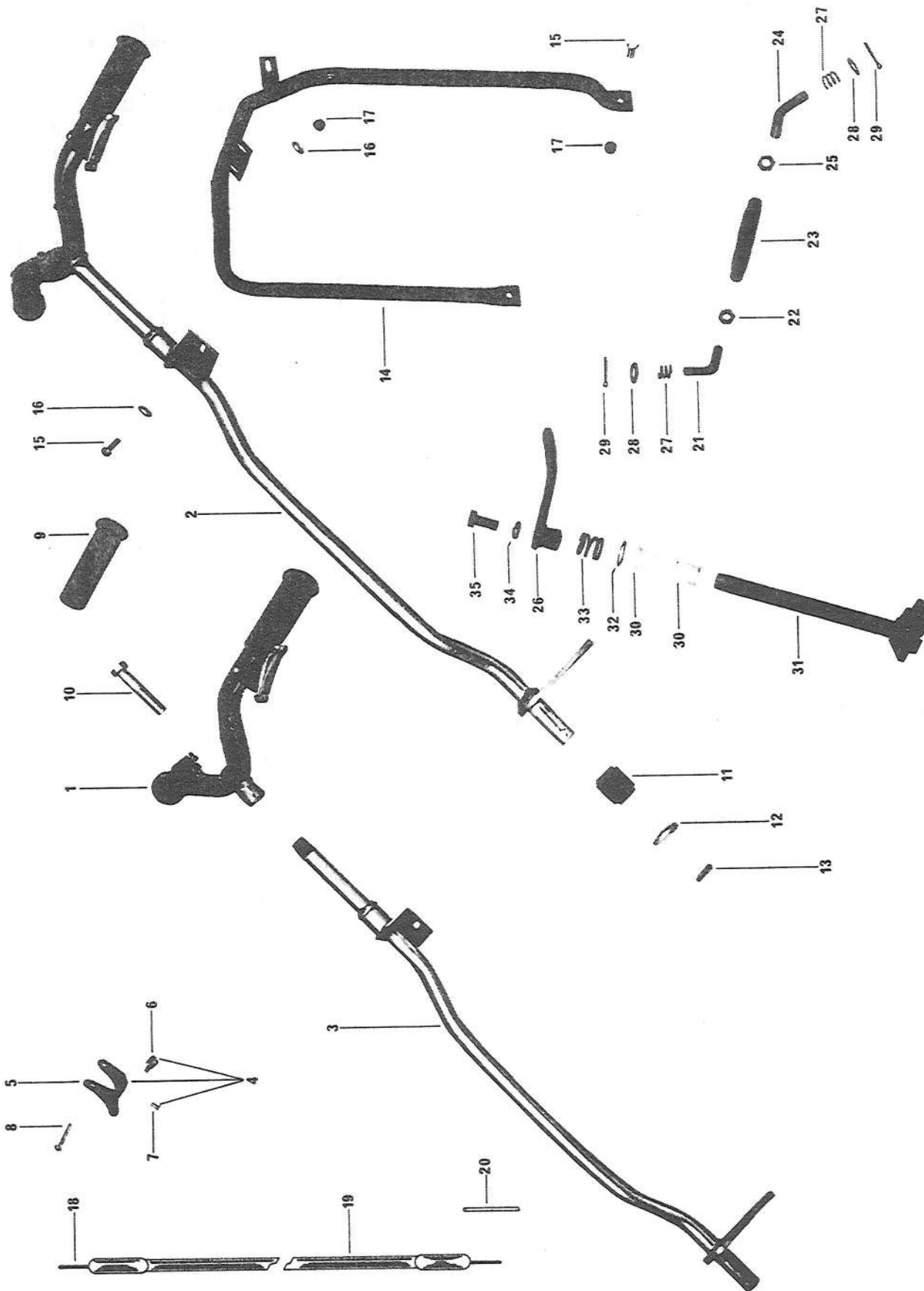


STEERING (OLYMPIQUE - T'NT 15")

1971

ITEM NO.	PART NO.	DESCRIPTION	QUANTITY						
			300	335	335E	399	399E	T'NT 292	T'NT 340
1	506 0127	Handle Bar	1	1	1	1	1		
1	506 0128	Handle Bar						1	1
2	581 1036	Control Handle Assembly	2	2	2	2	2	2	2
2	506 0041	Hand Handle	2	2	2	2	2	2	2
3	506 0073	Cable Slug Retainer	2	2	2	2	2	2	2
4	390 5006	Rivet	2	2	2	2	2	2	2
5	390 9001	Rivet	2	2	2	2	2	2	2
6	572 1704	Grip	2	2	2	2	2	2	2
7	580 1154	Steering Bushing	1	1	1	1	1	1	1
8	391 0036	Washer	1	1	1	1	1	1	1
9	372 1122	Roll Pin	1	1	1	1	1	1	1
10	506 0130	Upper Column	1	1	1				
10	506 0138	Upper Column				1	1		
10	506 0129	Upper Column						1	1
11	300 1001	Screw	2	2	2	2	2	4	4
12	399 9015	Washer	4	4	4	4	4	4	4
13	386 6019	Nut	2	2	2	2	2	4	4
14	414 0641	Brake Cable	1	1	1	1	1	1	1
14	414 0261	Throttle Cable	1	1	1			1	1
14	414 0314	Throttle Cable				1	1		
15	414 0640	Brake Housing	1	1	1	1	1	1	1
15	414 0263	Throttle Housing	1	1	1			1	1
15	414 0288	Throttle Housing				1	1		
16	414 0452	Cable Protector	1	1	1	1	1	1	1
17	506 0044	Center Tie Rod End	2	2	2	2	2	2	2
18	389 8016	Jam Nut L.H.	2	2	2	2	2	2	2
19	506 0043	Tie Rod	2	2	2	2	2	2	2
20	506 0017	Tie Rod End L.H.	2	2	2	2	2	2	2
21	389 8015	Jam Nut R.H.	2	2	2	2	2	2	2
22	506 0126	Steering Arm	2	2	2	2	2	2	2
23	414 0364	Spring	4	4	4	4	4	4	4
24	391 0025	Washer	4	4	4	4	4	4	4
25	371 0031	Cotter Pin	4	4	4	4	4	4	4
26	572 0601	Bushing	4	4	4	4	4	4	4
27	506 0124	R.H. Ski Leg	1	1	1	1	1	1	1
27	506 0125	L.H. Ski Leg	1	1	1	1	1	1	1
28	504 1009	Shim	2	2	2	2	2	2	2
29	414 0127	Spring	2	2	2	2	2	2	2
30	399 8019	Washer	2	2	2	2	2	2	2
31	300 8123	Screw	2	2	2	2	2	2	2

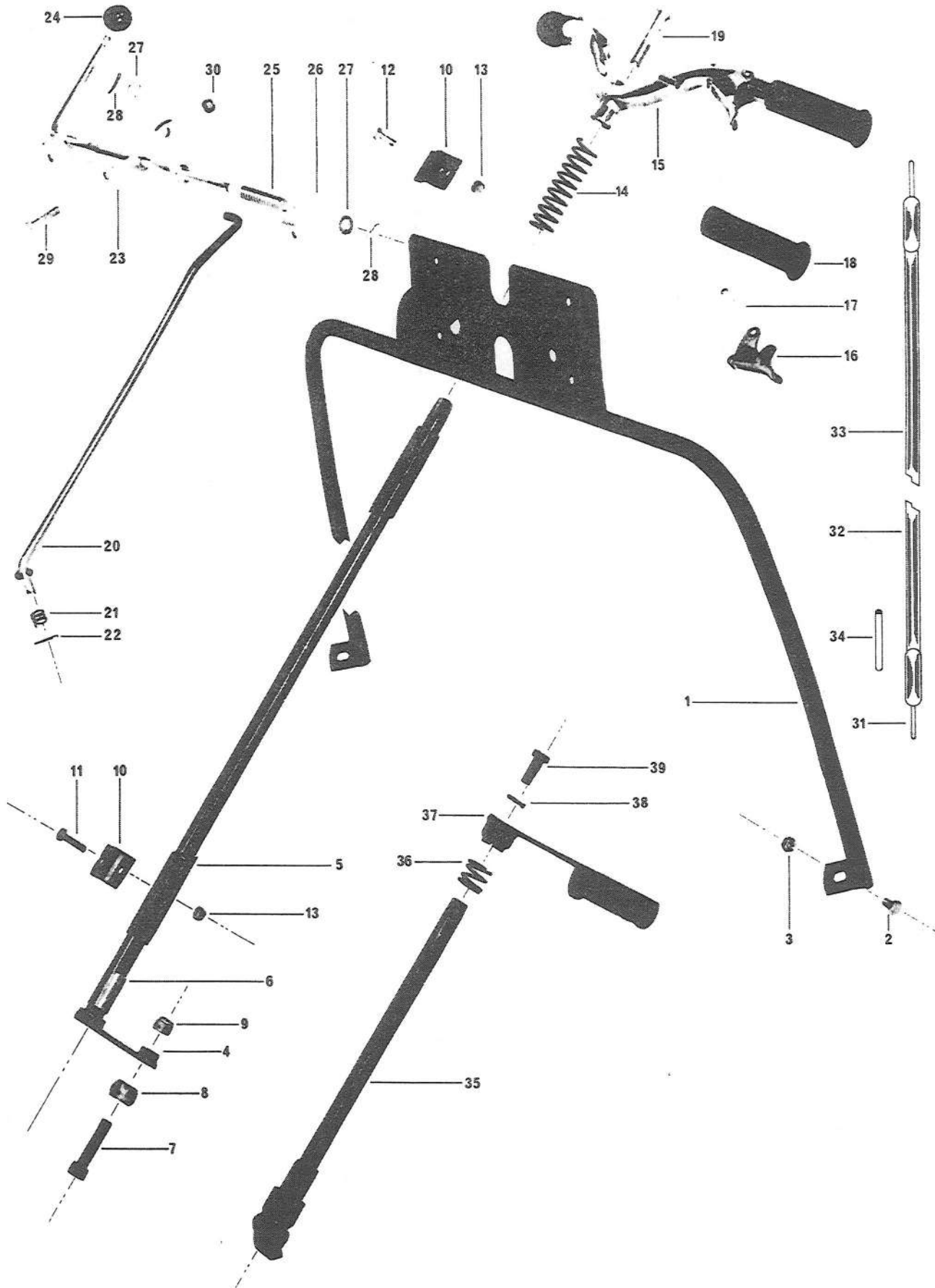




ITEM NO.	PART NO.	DESCRIPTION	QUANTITY						
			S 335	N 399	N 399E	N 640E	T'NT 440	T'NT 640	T'NT 775
1	506 0110	Handle	1	1	1	1			
2	506 0131	Handle Bar					1	1	1
3	506 0133	Handle Bar	1	1	1				
3	506 0135	Handle Bar				1			
4	581 1036	Control Handle Assembly	2	2	2	2	2	2	2
5	506 0041	Hand Handle	2	2	2	2	2	2	2
6	506 0073	Cable Slug Retainer	2	2	2	2	2	2	2
7	390 5006	Rivet	2	2	2	2	2	2	2
8	390 9001	Rivet	2	2	2	2	2	2	2
9	572 1704	Grip	2	2	2	2	2	2	2
10	300 3128	Screw	1	1	1	1			
11	580 1154	Steering Bushing	1	1	1	1	1	1	1
12	391 0036	Washer	1	1	1	1	1	1	1
13	372 1122	Roll Pin	1	1	1	1	1	1	1
14	506 0136	Upper Column	1						
14	506 0132	Upper Column		1	1				
14	506 0134	Upper Column				1	1	1	1
15	300 1001	Screw	4	4	4	4	4	4	4
16	390 9015	Washer	4	4	4	4	4	4	4
17	386 6019	Nut	4	4	4	4	4	4	4
18	414 0641	Brake Cable	1	1	1	1	1	1	1
18	414 0261	Throttle Cable		1	1				
18	414 0314	Throttle Cable				1	1	1	
18	414 0277	Throttle Cable							1
18	414 0264	Throttle Cable	1						1
19	414 0640	Brake Housing	1	1	1	1	1	1	1
19	414 0263	Throttle Housing	1						
19	414 0288	Throttle Housing		1	1	1	1	1	1
19	414 0313	Throttle Housing				1	1	1	
19	414 0275	Throttle Housing							1
20	414 0452	Cable Protector	1	1	1	1	1	1	1
21	506 0044	Center Tie Rod End	2	2	2	2	2	2	2
22	389 8016	Jam Nut L.H.	2	2	2	2	2	2	2
23	506 0058	Tie Rod	2	2	2	2	2	2	2
24	506 0017	Tie Rod End L.H.	2	2	2	2	2	2	2
25	389 8015	Jam Nut R.H.	2	2	2	2	2	2	2
26	506 0140	Steering Arm	2	2	2	2	2	2	2
27	414 0364	Spring	4	4	4	4	4	4	4
28	391 0025	Washer	4	4	4	4	4	4	4
29	371 0031	Cotter Pin	4	4	4	4	4	4	4
30	572 0601	Bushing	4	4	4	4	4	4	4
31	506 0124	R.H. Ski Leg	1	1	1	1	1	1	1
31	506 0125	L.H. Ski Leg	1	1	1	1	1	1	1
32	504 1009	Shim	2	2	2	2	2	2	2
33	414 0127	Spring	2	2	2	2	2	2	2
34	399 8019	Washer	2	2	2	2	2	2	2
35	300 8123	Screw	2	2	2	2	2	2	2



STEERING (VALMONT - ALPINE)



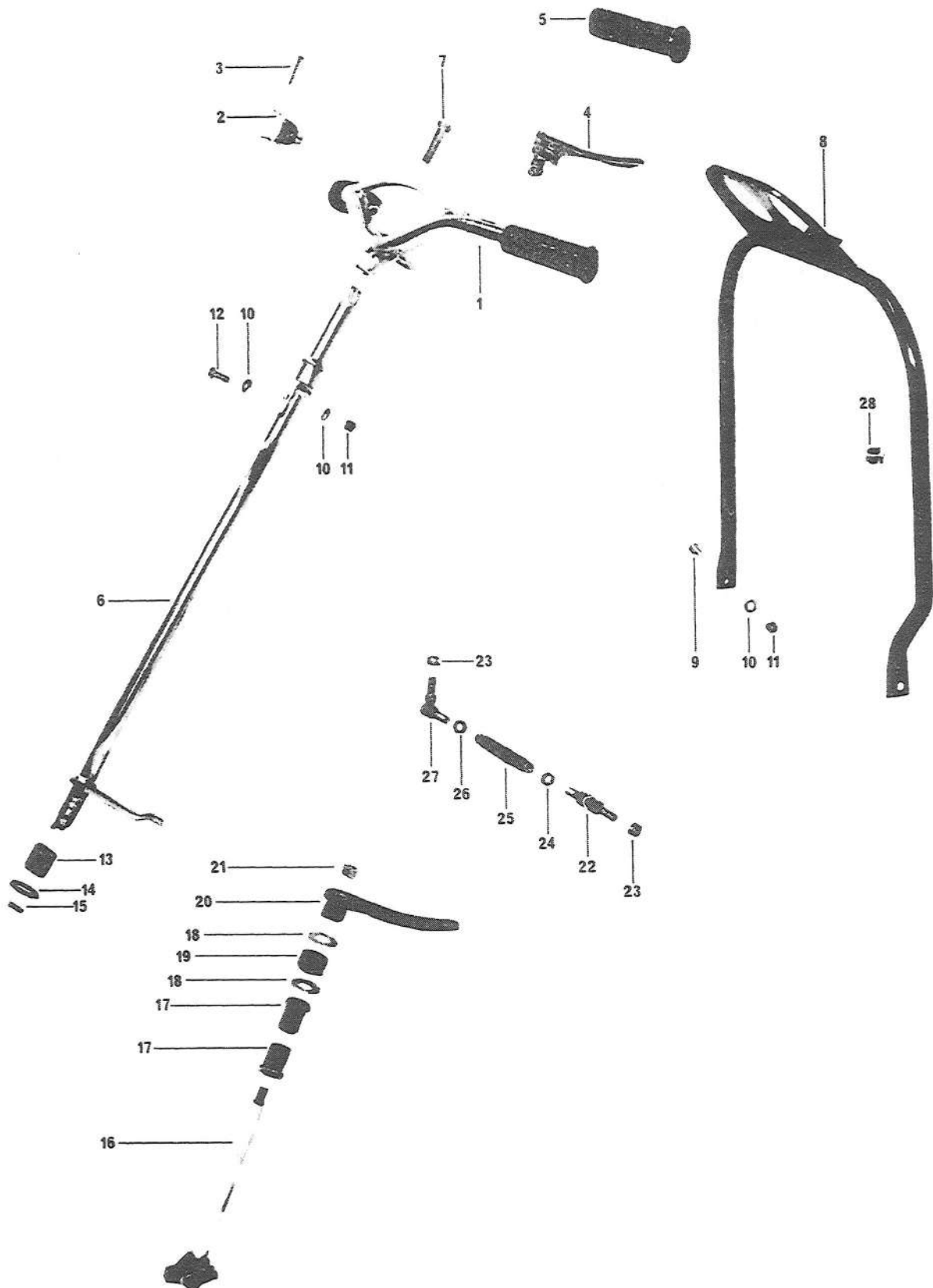
STEERING (VALMONT - ALPINE)

1971

ITEM NO.	PART NO.	DESCRIPTION	QUANTITY					
			V 399R	V 399ER	V 640ER	A 399R	A 399ER	A 640ER
1	506 0141	Upper Column	1	1	1	1	1	1
2	300 1040	Screw	2	2	2	2	2	2
3	387 2022	Nut	2	2	2	2	2	2
4	506 0142	Steering Shaft	1	1	1	1	1	1
5	506 0084	Steering Column	1	1	1	1	1	1
6	506 0029	Bushing	2	2	2	2	2	2
7	303 0126	Cap Screw	1	1	1	1	1	1
8	506 0091	Ball Bushing	1	1	1	1	1	1
9	386 6026	Nut	1	1	1	1	1	1
10	506 0085	Retainer Plate	2	2	2	2	2	2
11	300 1001	Screw	2	2	2	2	2	2
12	300 0003	Screw	2	2	2	2	2	2
13	386 6019	Nut	4	4	4	4	4	4
14	414 0747	Spring	1	1	1	1	1	1
15	506 0110	Handle	1	1	1	1	1	1
16	581 1036	Control Handle Ass'y	2	2	2	2	2	2
17	390 9001	Rivet	2	2	2	2	2	2
18	572 1704	Handle Grip	2	2	2	2	2	2
19	300 3128	Screw	1	1	1	1	1	1
20	504 0134	Transmission Rod	1	1	1	1	1	1
21	414 0364	Spring	1	1	1	1	1	1
22	371 8002	Cotter Pin	1	1	1	1	1	1
23	504 0132	Transmission Lever	1	1	1	1	1	1
24	414 0750	Ball	1	1	1	1	1	1
25	414 0751	Spring	1	1	1	1	1	1
26	504 0133	Bracket	1	1	1	1	1	1
27	399 9007	Washer	2	2	2	2	2	2
28	371 0011	Cotter Pin	2	2	2	2	2	2
29	300 1004	Screw	3	3	3	3	3	3
30	386 6019	Nut	3	3	3	3	3	3
31	414 0748	Brake Cable	1	1	1	1	1	1
31	414 0277	Throttle Cable	1	1	1	1	1	1
32	414 0749	Brake Housing	1	1	1	1	1	1
33	414 0313	Throttle Housing	1	1		1	1	
33	414 0275	Throttle Housing			1			1
34	414 0452	Cable Protector	1	1	1	1	1	1
35	506 0144	Ski Leg	1	1	1	1	1	1
36	414 0127	Spring	1	1	1	1	1	1
37	506 0143	Arm Plate	1	1	1	1	1	1
38	392 0026	Washer	1	1	1	1	1	1
39	300 8123	Screw	1	1	1	1	1	1



STEERING (BLIZZARD 15" - 16-1/2")



STEERING (BLIZZARD 15" - 16-1/2")

1971

ITEM NO.	PART NO.	DESCRIPTION	QUANTITY					
			291	336	397	437	636	797
1	506 0147	Handle	1	1	1	1	1	1
2	581 1036	Throttle Handle	1	1	1	1	1	1
3	390 9001	Rivet	1	1	1	1	1	1
4	414 0913	Brake Handle	1	1	1	1	1	1
5	572 1704	Handle Grip	2	2	2	2	2	2
6	506 0146	Handle Bar	1	1				
6	506 0176	Handle Bar			1	1		
6	506 0167	Handle Bar					1	1
7	300 3126	Screw	1	1	1	1	1	1
8	506 0145	Upper Column	1	1	1	1		
8	506 0165	Upper Column					1	1
9	300 1001	Screw	1	1	1	1	1	1
10	399 9015	Washer	5	5	5	5	5	5
11	386 6019	Nut	3	3	3	3	3	3
12	300 1001	Screw	2	2	2	2	2	2
13	580 1154	Steering Bushing	1	1	1	1	1	1
14	391 0036	Washer	1	1	1	1	1	1
15	372 1122	Roll Pin	1	1	1	1	1	1
16	506 0163	R.H. Ski Leg	1	1	1	1	1	1
16	506 0164	L.H. Ski Leg	1	1	1	1	1	1
17	572 0601	Bushing	4	4	4	4	4	4
18	506 0150	Washer	4	4	4	4	4	4
19	570 0605	Rubber Spacer	2	2	2	2	2	2
20	506 0126	Steering Arm	2	2	2	2	2	2
21	386 6026	Nut	2	2	2	2	2	2
22	414 0845	Tie Rod End	2	2	2	2	2	2
23	389 8036	Nut	4	4	4	4	4	4
24	389 8015	Jam Nut R.H.	2	2	2	2	2	2
25	506 0043	Tie Rod	2	2	2	2		
25	506 0058	Tie Rod					2	2
26	389 8016	Jam Nut	2	2	2	2	2	2
27	414 0846	Tie Rod End L.H.	2	2	2	2	2	2
28	414 0554	Clip	6	6	6	6	6	6



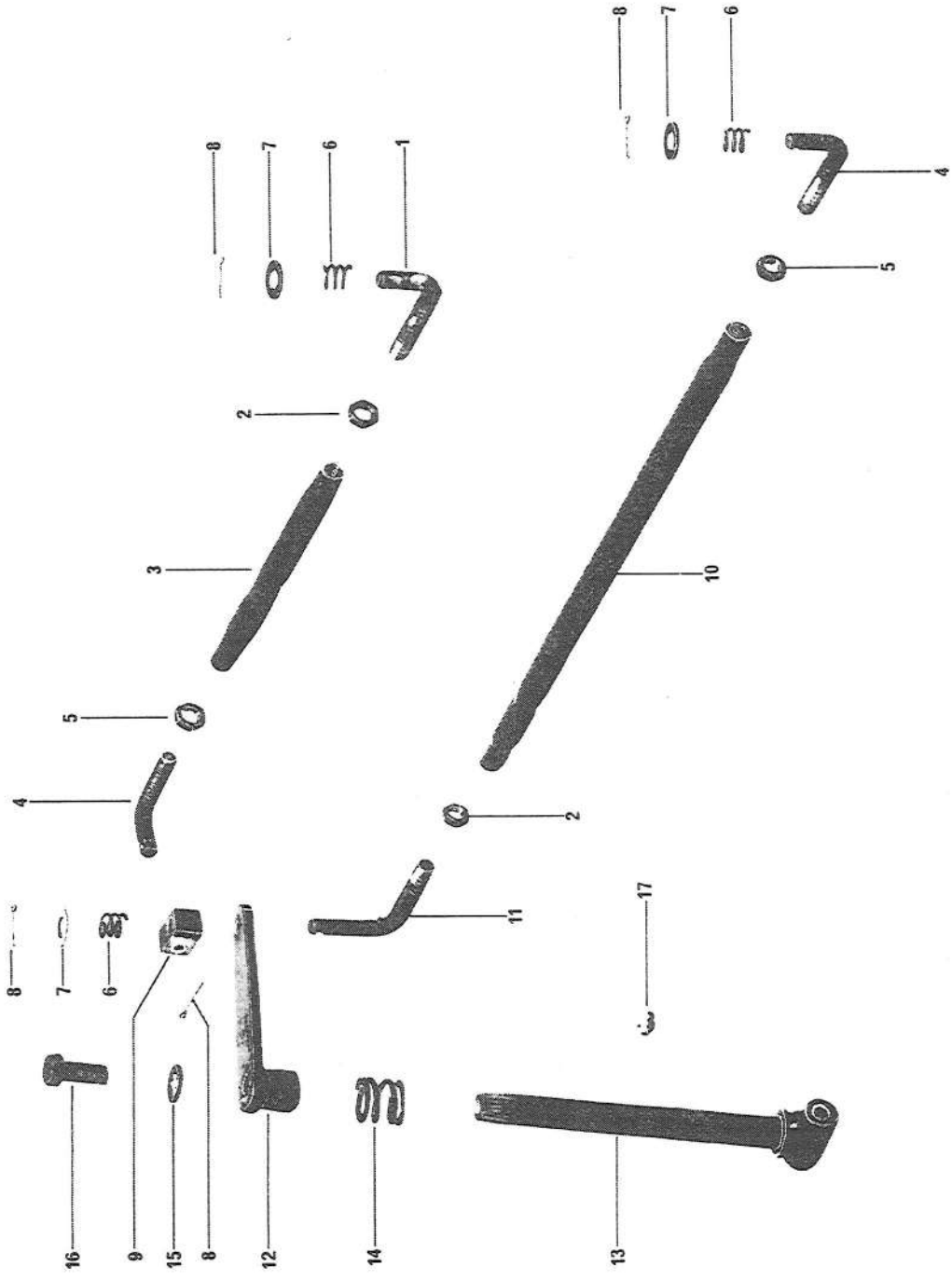
STEERING (BLIZZARD 246)



ITEM NO.	PART NO.	DESCRIPTION	QUANTITY
			246
1	506 0181	Handle Bar	1
2	581 1036	Control Handle Assembly	2
3	390 9004	Rivet	2
4	572 1704	Grip	2
5	580 1154	Steering Bushing	1
6	391 0036	Washer	1
7	372 1122	Roll Pin	1
8	506 0180	Upper Column	1
9	300 1001	Screw	2
10	386 6019	Nut	2
11	414 0591	"U" Clamp	1
12	399 9015	Washer	2
13	386 6019	Nut	2



TIE ROD (BLIZZARD 246)



ITEM NO.	PART NO.	DESCRIPTION	QUANTITY
			246
1	506 0044	Center Tie Rod End	1
2	389 8016	Jam Nut L.H.	2
3	506 0043	Upper Tie Rod	1
4	506 0017	Tie Rod End L.H.	2
5	389 8015	Jam Nut R.H.	2
6	414 0364	Spring	3
7	391 0025	Washer	3
8	371 0031	Cotter Pin	4
9	506 0023	Tie Rod Swivel	1
10	506 0022	Lower Tie Rod	1
11	506 0018	Tie Rod End R.H.	1
12	506 0121	Steering Arm	2
13	506 0123	Ski Leg	2
14	414 0127	Spring	2
15	399 8019	Washer	2
16	300 8123	Screw	2
17	408 2001	Grease Fitting	2





SECTION 2

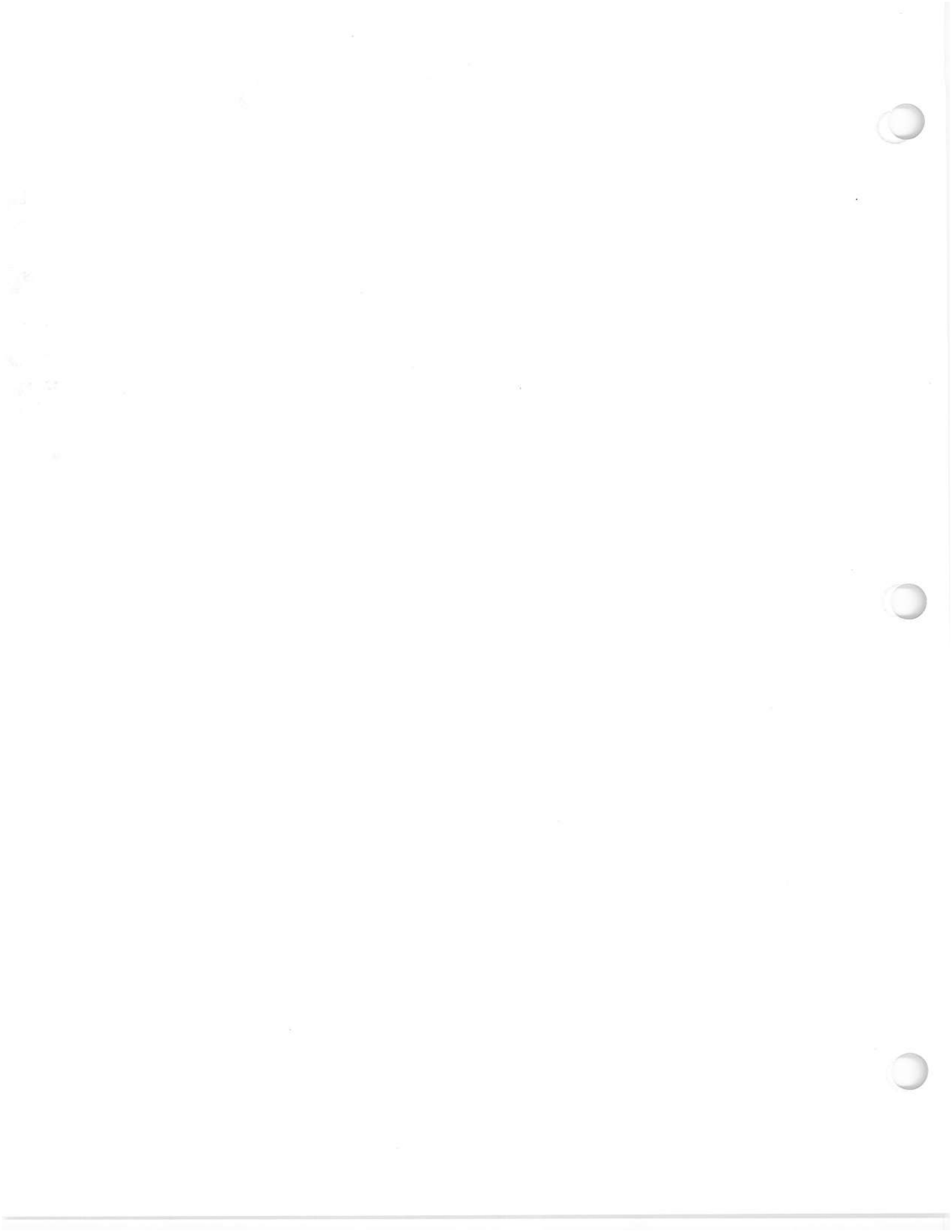
2-1 ENGINE

2-2 ENGINE ROTAX

2-3 FUEL

2-4 CARBURATOR





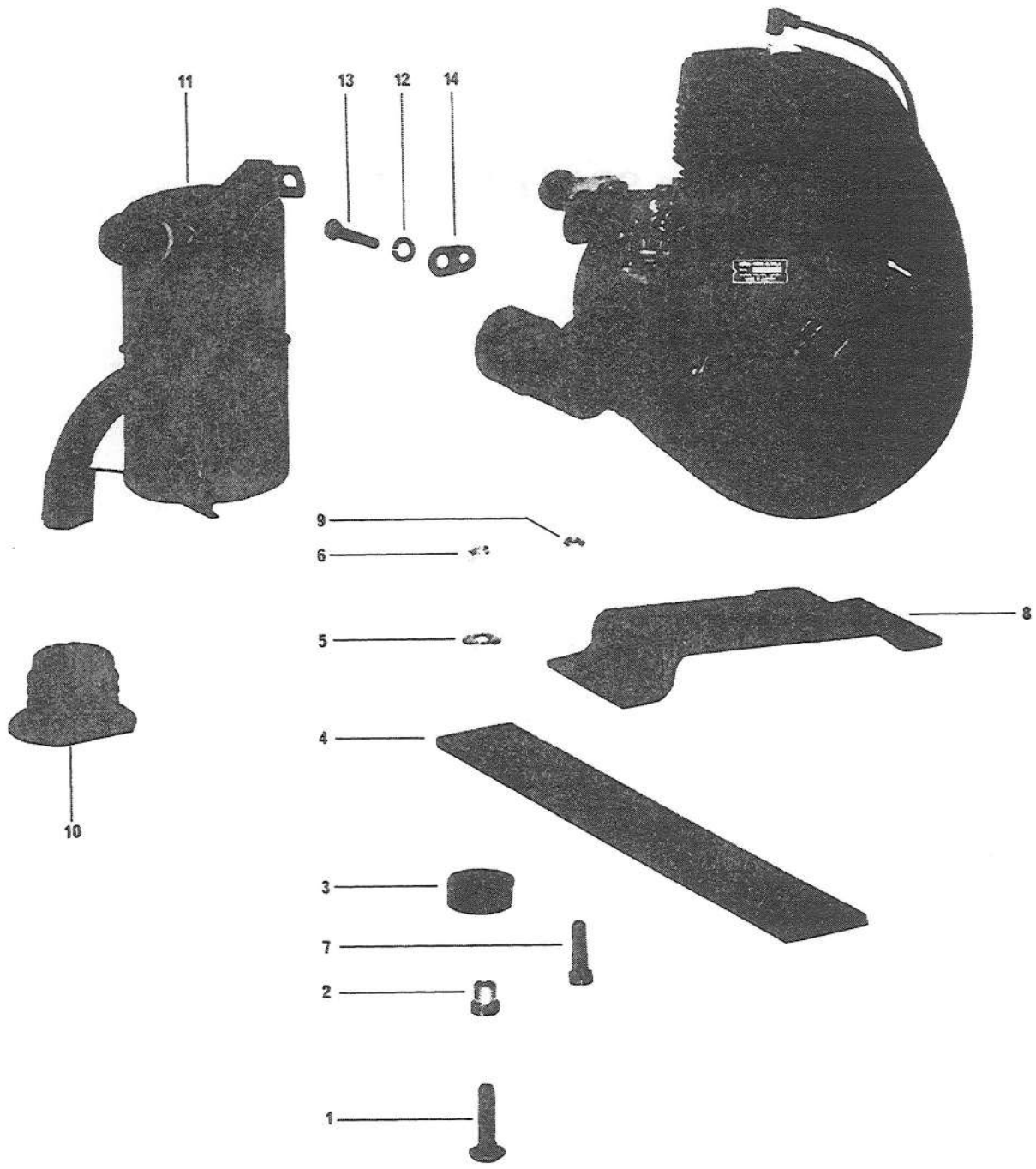
ENGINE

SECTION 2-1

SUPPORT EXHAUST

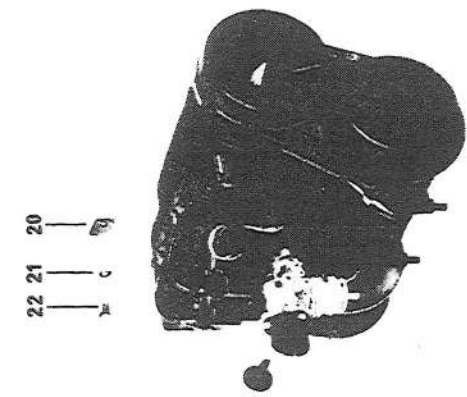
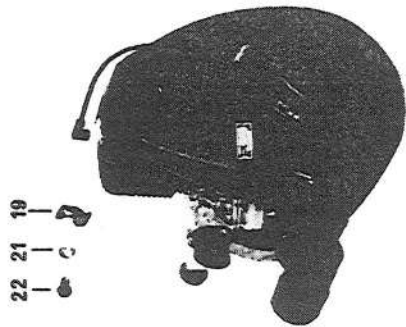
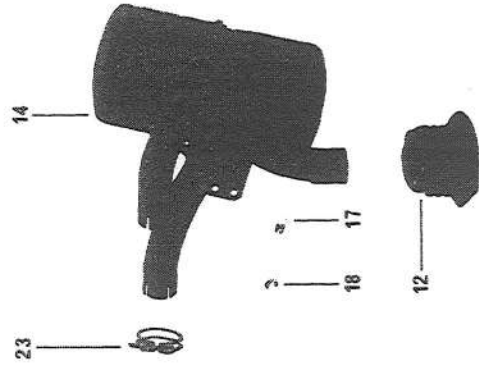
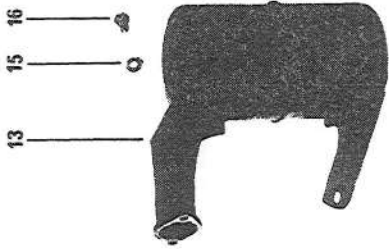
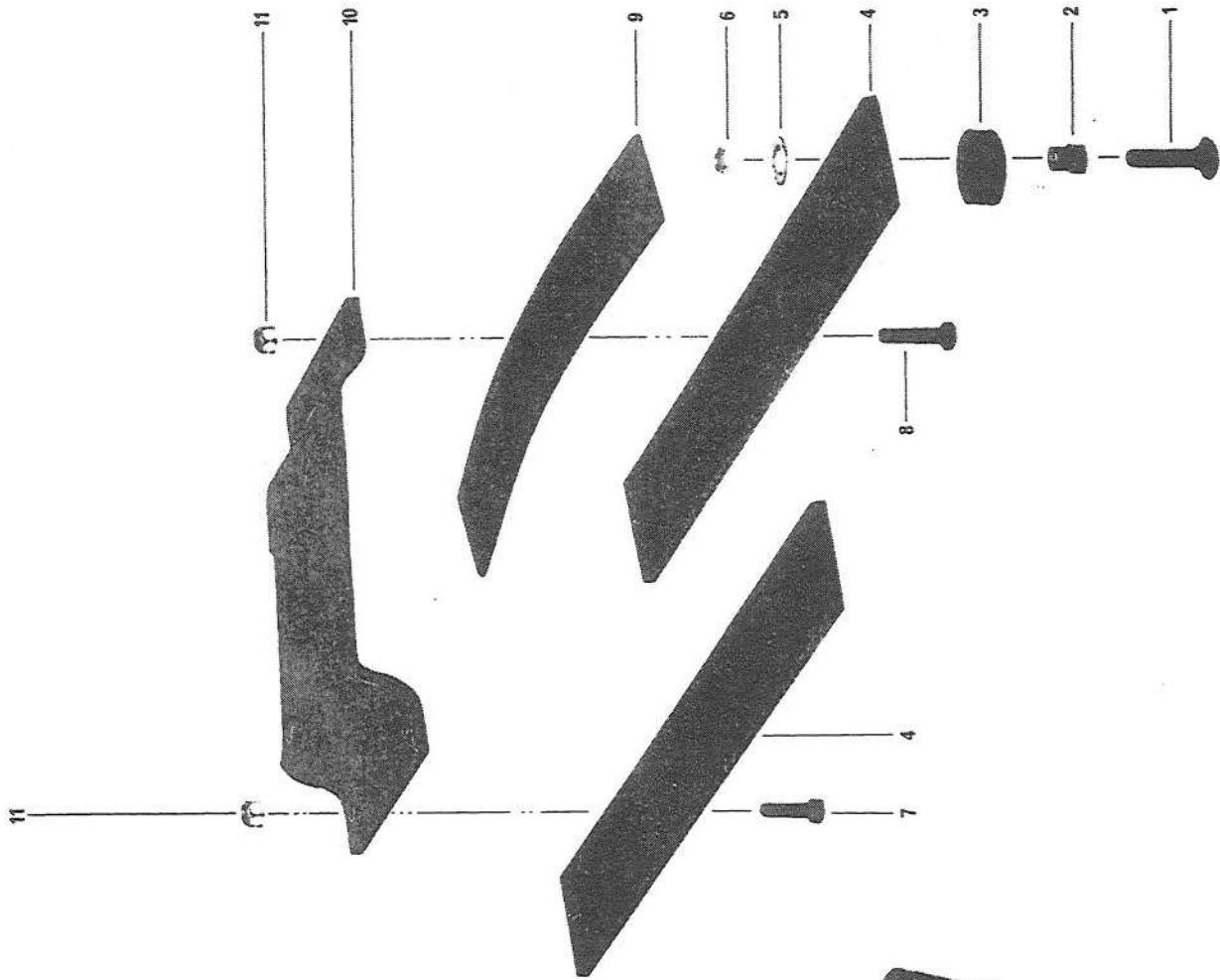


ENGINE (ELAN)



ITEM NO.	PART NO.	DESCRIPTION	QUANTITY	
			250	250E
1	360 8007	Carriage Bolt	4	4
2	512 0011	Threaded Spacer Bushing	4	4
3	570 1202	Insulator Rubber	4	4
4	512 0012	Engine Support	2	2
5	399 9006	Washer	4	4
6	389 8036	Nut	4	4
7	309 8012	Screw W/Knurling	4	4
8	512 0095	Engine Bracket	1	1
9	389 8037	Nut	4	4
10	570 1406	Exhaust Grommet	1	1
11	402 2249	Muffler	1	1
12	402 0031	Washer	1	1
13	402 2001	Screw	1	1
14	414 0727	Link	1	1



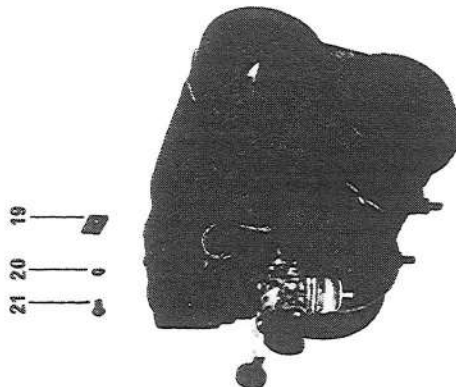
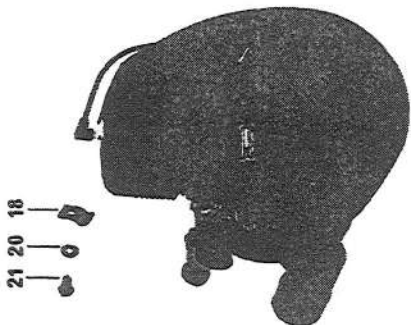
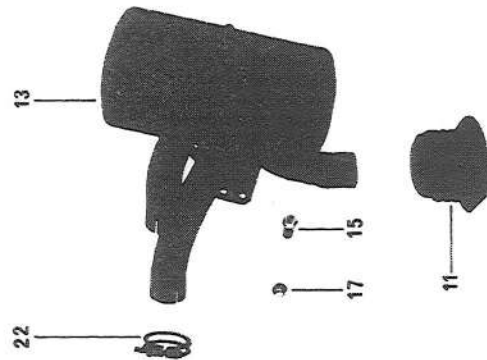
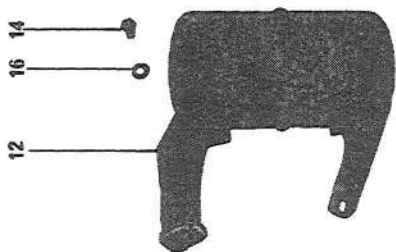
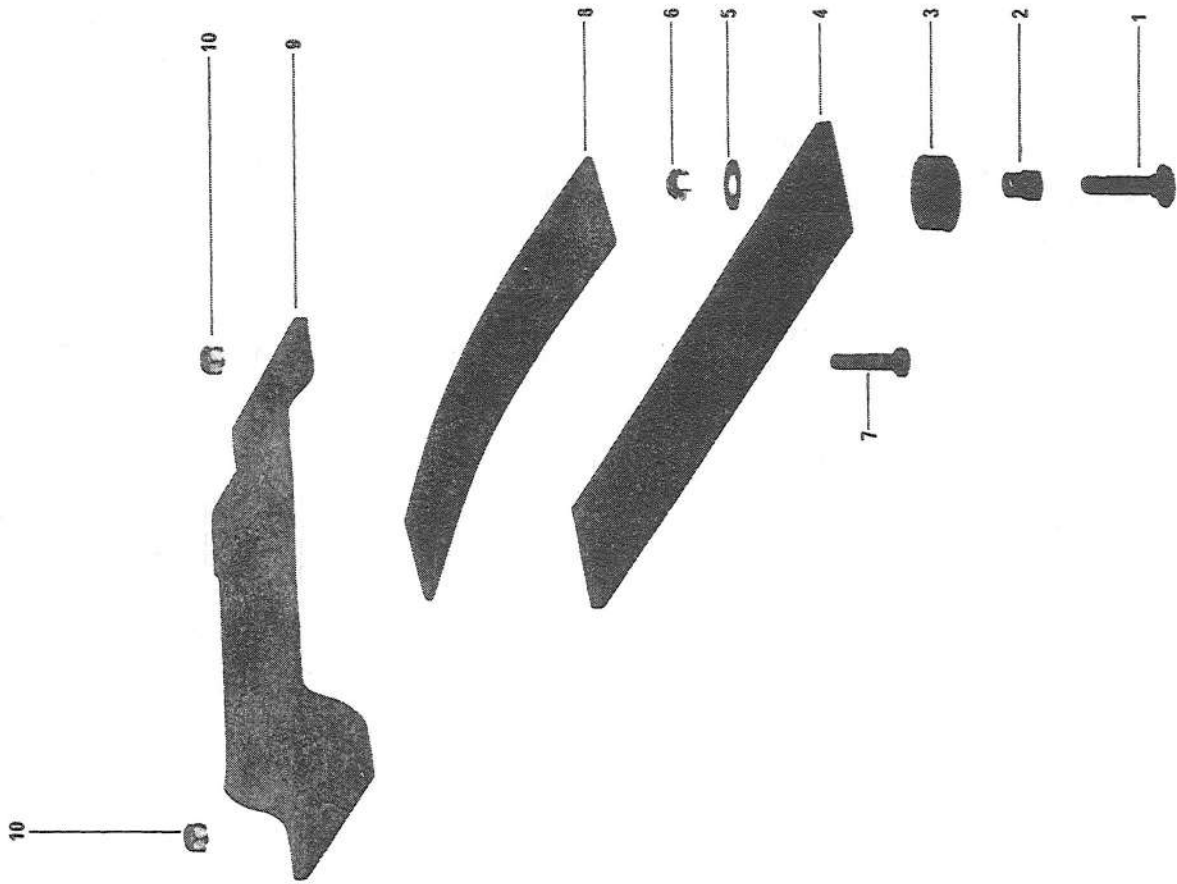


ENGINE (OLYMPIQUE - T'NT 15")

1971

ITEM NO.	PART NO.	DESCRIPTION	QUANTITY						
			300	335	335E	399	399E	T'NT 292	T'NT 340
1	360 8010	Carriage Bolt	4	4	4	4	4	4	4
2	512 0011	Threaded Spacer Bushing	4	4	4	4	4	4	4
3	570 1202	Insulator Rubber	4	4	4	4	4	4	4
4	512 0012	Engine Support	2	2	2			2	2
4	512 0046	Engine Support				2	2		
5	399 9006	Washer	4	4	4	4	4	4	4
6	389 8036	Nut	4	4	4	4	4	4	4
7	309 8012	Screw W/Knurling 1" L.	2	2	2			2	2
8	309 8025	Screw W/Knurling 1-3/16" L.	2	2	2	4	4	2	2
9	512 0050	Engine Leaf Spring	1	1	1			1	1
9	512 0047	Engine Leaf Spring				2	2		
10	512 0017	Engine Bracket	1	1	1			1	1
10	512 0032	Engine Bracket				1	1		
11	389 8037	Nut	4	4	4	4	4	4	4
12	570 1406	Exhaust Grommet	1	1	1	1	1	1	1
13	402 2119	Muffler	1	1	1			1	
13	402 2198	Muffler							1
14	402 2248	Muffler				1	1		
15	402 0031	Washer	1	1	1			1	1
16	402 2001	Screw	1	1	1			1	1
17	300 1001	Screw				2	2		
18	386 6019	Nut				2	2		
19	507 0028	Clip	1	1	1				
20	512 0064	Bracket				1	1		
21	399 8007	Washer	1	1	1	1	1	1	1
22	300 5000	Screw	1	1	1	1	1	1	1
23	402 2166	Clamp				2	2		
23	402 2167	Clamp				1	1		





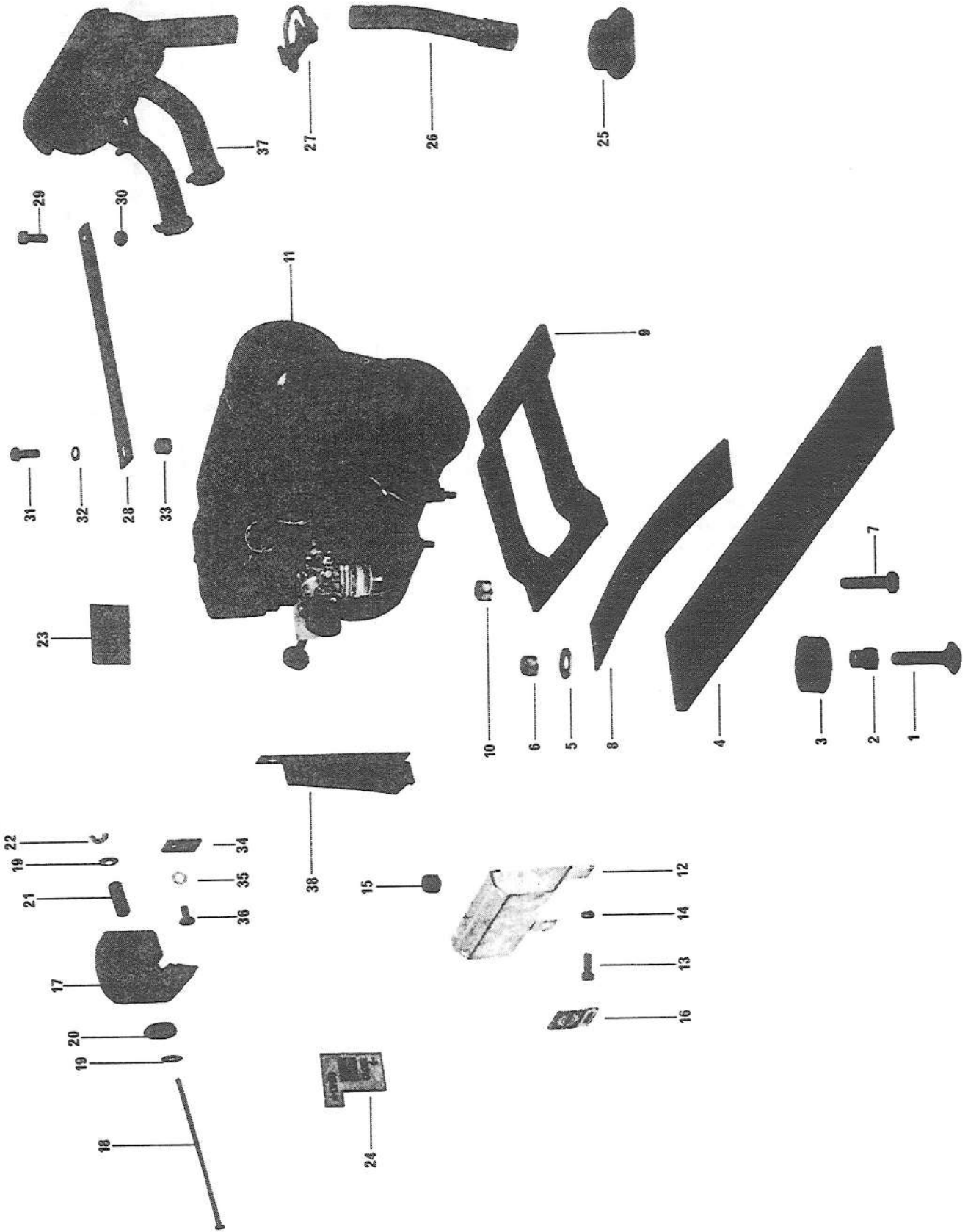
ENGINE (SKANDIC - NORDIC - T'NT 18")

1971

ITEM NO.	PART NO.	DESCRIPTION	QUANTITY						
			S 335	N 399	N 399E	N 640E	T'NT 440	T'NT 640	T'NT 775
1	360 8010	Carriage Bolt	4	4	4	4	4	4	4
2	512 0011	Threaded Spacer Bushing	4	4	4	4	4	4	4
3	570 1202	Insulator Rubber	4	4	4	4	4	4	4
4	512 0089	Engine Support	2						
4	512 0031	Engine Support		2	2		2		
4	512 0053	Engine Support				2		2	2
5	399 7006	Washer	4	4	4	4	4	4	4
6	389 8036	Nut	4	4	4	4	4	4	4
7	309 8025	Screw W/Knurling	4	4	4	6	4	6	6
8	512 0089	Engine Leaf Spring	2						
8	512 0045	Engine Leaf Spring		2	2		2		
8	512 0054	Engine Leaf Spring				2		2	2
9	512 0017	Engine Bracket	1						
9	512 0032	Engine Bracket		1	1				
9	512 0099	Engine Bracket					1		
9	512 0037	Engine Bracket				1		1	1
10	389 8037	Nut	4	4	4	6	4	4	6
11	570 1406	Exhaust Grommet	1	1	1				
11	570 1404	Exhaust Grommet					1		
11	570 1407	Exhaust Grommet				1		1	1
12	402 2255	Muffler	1						
13	402 2246	Muffler		1	1				
13	402 2194	Muffler				1			
13	402 2327	Muffler					1		
13	402 2284	Muffler						1	1
14	402 2001	Screw	1						
15	300 1001	Screw		2	2	2	2	2	2
16	402 0031	Washer	1						
17	387 2019	Nut		2	2	2	2	2	2
18	507 0028	Clip	1						
19	512 0064	Bracket		1	1	1			
20	399 8007	Washer	1	1	1	1			
21	300 5001	Screw	1	1	1	1			
22	402 2166	Clamp		2	2				
22	402 2167	Clamp		1	1				
22	414 0222	Clamp				3	3	3	3



ENGINE (VALMONT - ALPINE)

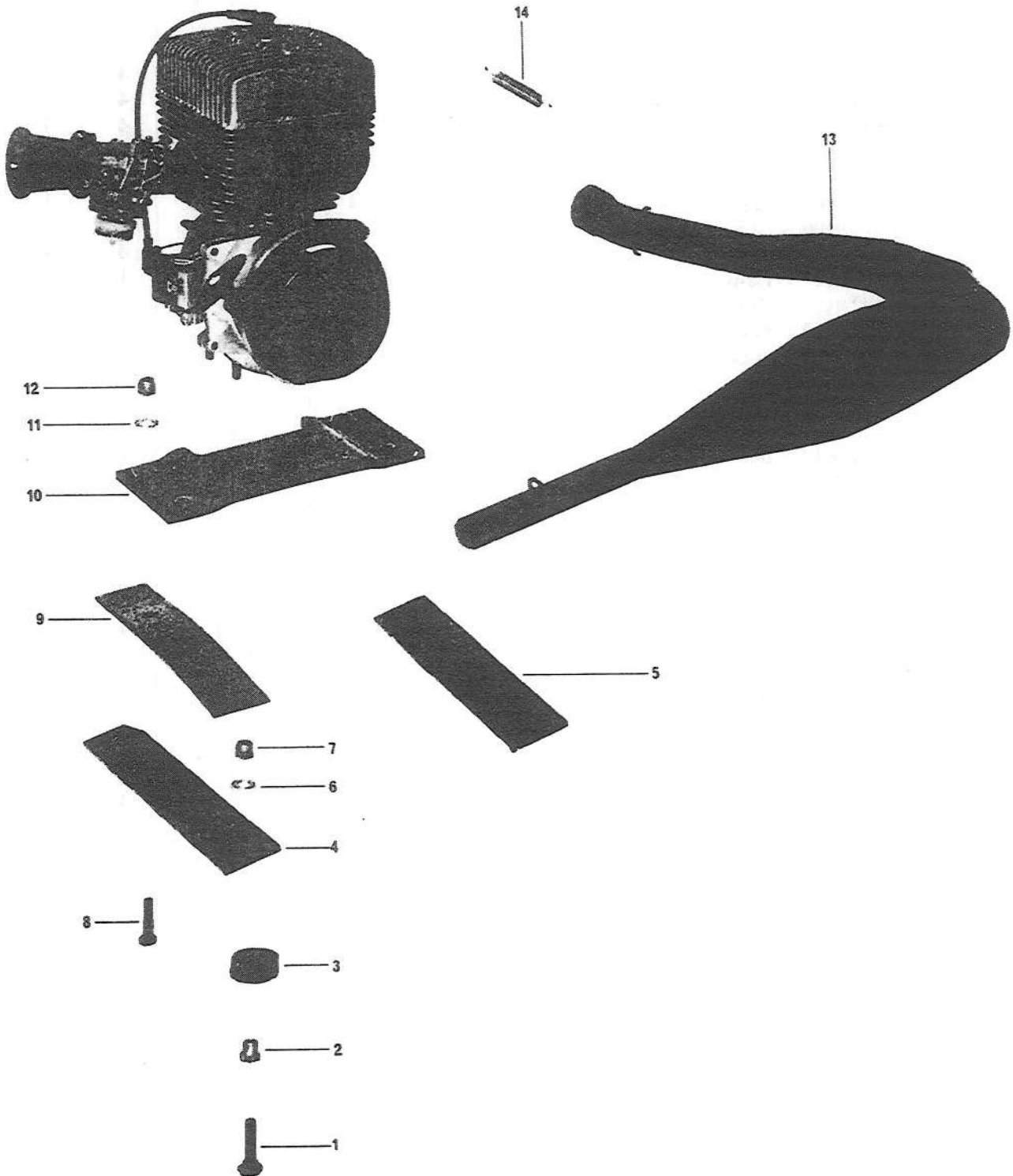


ENGINE (VALMONT - ALPINE)

1971

ITEM NO.	PART NO.	DESCRIPTION	QUANTITY					
			V 399R	V 399ER	V 640ER	A 399R	A 399ER	A 640ER
1	360 8010	Carriage Bolt	4	4	4	4	4	4
2	512 0011	Threaded Bushing	4	4	4	4	4	4
3	570 1202	Insulator Rubber	4	4	4	4	4	4
4	512 0069	Engine Support	2	2		2	2	
4	512 0056	Engine Support			2			2
5	399 9006	Washer	4	4	4	4	4	4
6	389 8036	Nut	4	4	4	4	4	4
7	309 8025	Screw w/Knurling	4	4	6	4	4	6
8	512 0070	Engine Leaf Spring	2	2		2	2	
8	512 0057	Engine Leaf Spring			2			2
9	512 0068	Engine Bracket	1	1		1	1	
9	512 0100	Engine Bracket			1			1
10	389 8037	Nut	4	4	6	4	4	6
11	402 0181	Plastic Cover	1	1		1	1	
11	402 0187	Plastic Cover			1			1
12	512 0059	Engine Console				1	1	
12	512 0051	Engine Console						1
13	303 9003	Screw				4	4	4
14	399 9015	Washer				4	4	4
15	570 1503	Grommet				7	7	7
16	414 0613	Bombardier Crest				1		
16	414 0648	Bombardier Crest					1	
16	414 0643	Bombardier Crest						1
17	414 0537	Air Deflector				1	1	
18	300 0034	Screw				1	1	
19	399 9015	Washer				2	2	
20	570 1711	Rubber Washer				1	1	
21	517 0276	Bushing				1	1	
22	386 1019	Wing Nut				1	1	
23	414 0741	Sticker				1	1	1
24	414 0504	Ventilation Label			1			1
25	570 1404	Exhaust Grommet	1	1	1	1	1	1
26	514 0037	Exhaust Pipe	1	1	1	1	1	1
27	414 0222	Clamp	1	1	4	1	1	4
28	512 0097	Muffler Bracket	1	1		1	1	
28	512 0098	Muffler Bracket			1			1
29	300 0041	Screw	1	1	1	1	1	1
30	389 8037	Nut	1	1	1	1	1	1
31	300 4043	Screw	1	1	1	1	1	1
32	392 0022	Washer	1	1	1	1	1	1
33	512 0090	Spacer	1	1	1	1	1	1
	400 3104	Engine	1	1		1	1	
	400 7011	Engine			1			1
34	512 0064	Bracket	1	1	1			
35	399 8007	Washer	1	1	1			
36	300 5000	Screw	1	1	1			
37	402 2290	Muffler	1	1		1	1	
37	402 2288	Muffler			1			1
38	512 0085	Engine Protector					1	
38	512 0086	Engine Protector						1



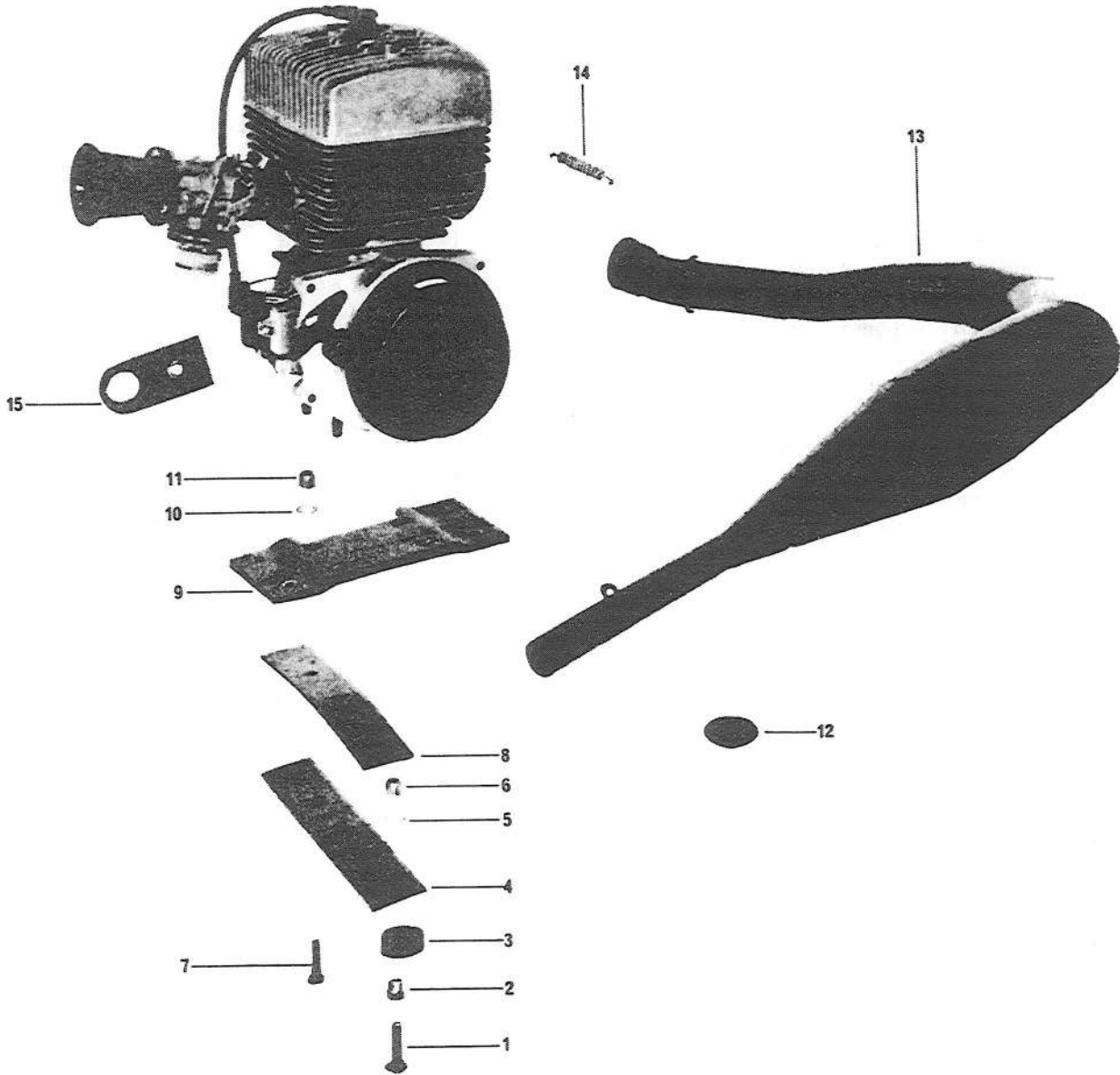


ENGINE (BLIZZARD 15 - 16-1/2")

1971

ITEM NO.	PART NO.	DESCRIPTION	QUANTITY					
			291	336	397	437	636	797
1	360 8010	Carriage Bolt	4	4	4	4	4	4
2	512 0011	Threaded Spacer Bushing	4	4	4	4	4	4
3	570 1202	Insulator Rubber	4	4	4	4	4	4
4	372 0056	Engine Support	1	1	1	1		
5	561 2002	Engine Support	1	1	1	1		
6	399 9006	Washer	4	4	4	4	4	4
7	386 6024	Nut	4	4	4	4	4	4
8	309 8012	Screw W/Knurling	4	4	6	6		
9	512 0050	Leaf Spring	2	2				
9	512 0057	Leaf Spring			2	2		
10	512 0101	Engine Bracket	1	1				
10	512 0102	Engine Bracket			1	1		
10	512 0105	Engine Bracket					1	1
11	399 9007	Washer	4	4	6	6		
12	389 8037	Nut	4	4	6	6		
13	496 0014	Tuned Exhaust	1	1				
13	496 0015	Tuned Exhaust R.H. Cyl.			1	1		
13	496 0016	Tuned Exhaust L.H. Cyl.			1	1		
13	496 0017	Tuned Exhaust Center Cyl.					1	
13	496 0019	Tuned Exhaust R.H. Cyl.					1	
13	496 0020	Tuned Exhaust L.H. Cyl.					1	
13	496 0018	Tuned Exhaust Center Cyl.						1
13	496 0021	Tuned Exhaust R.H. Cyl.						1
13	496 0022	Tuned Exhaust L.H. Cyl.						1
14	414 0863	Spring	4	4	6	6	9	9
14	414 0862	Spring			2	2		





ITEM NO.	PART NO.	DESCRIPTION	QUANTITY
			246
1	360 8007	Carriage Bolt	4
2	512 0011	Threaded Spacer Bushing	4
3	570 1202	Insulator Rubber	4
4	512 0012	Engine Support	2
5	399 9006	Washer	4
6	386 6024	Nut	4
7	309 8025	Screw W/Knurling	4
8	512 0057	Engine Leaf Spring	2
9	512 0111	Engine Bracket	1
10	399 9007	Washer	4
11	389 8037	Nut	4
12	570 1405	Exhaust Grommet	1
13	496 0058	Tuned Exhaust	1
14	414 0863	Spring	3
15	512 0112	Shorting Button Bracket	1





ENGINE ROTAX 71

SECTION 2-2

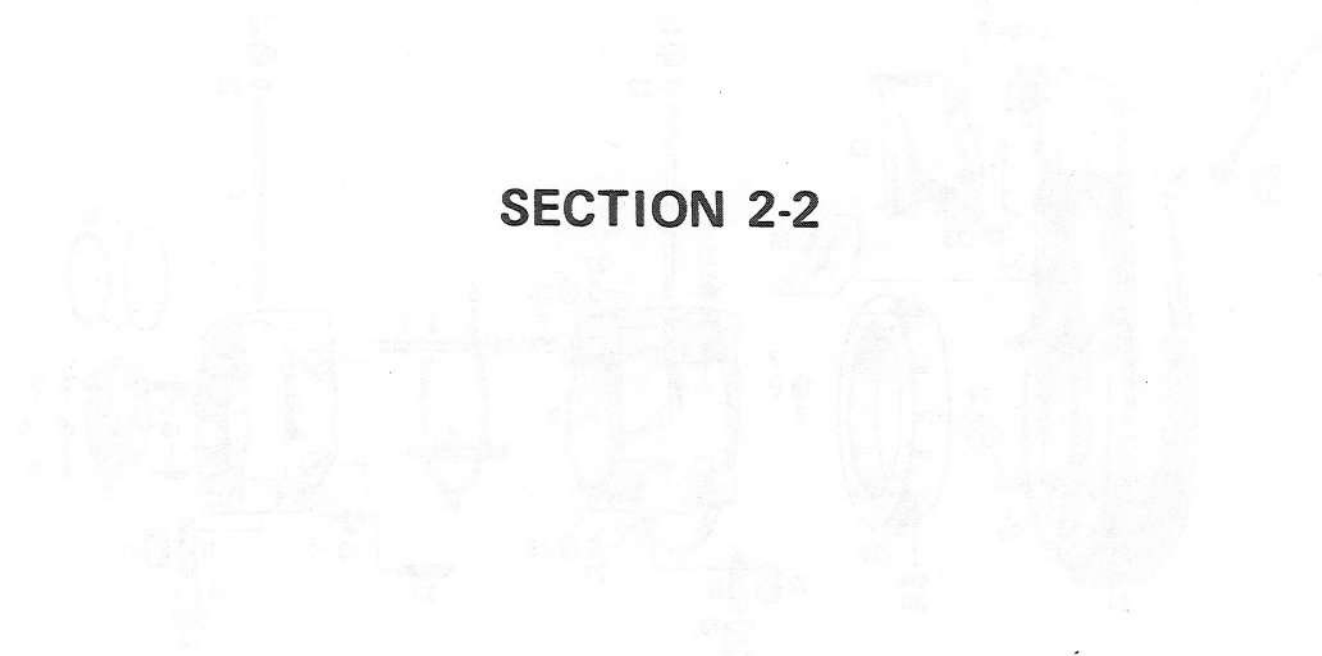
TYPE	MODEL
247	FOR ELAN 250 - 250E
292	FOR T'NT 292
302	FOR OLYMPIQUE 300
337	FOR OLYMPIQUE 335 - 335E
337	FOR SKANDIC 335
342	FOR T'NT 340





ENGINE ROTAX

SECTION 2-2



ENGINE EXHAUST

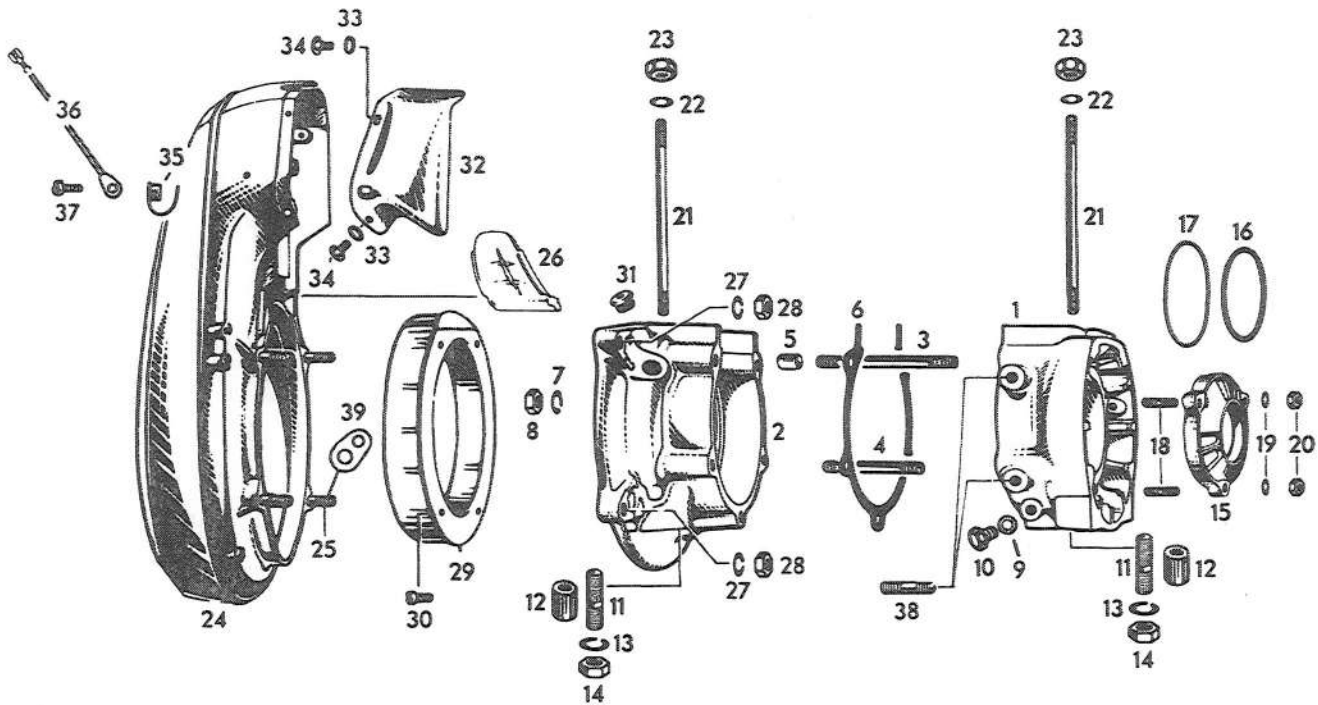
Part No.	Description	QTY	Part No.	Description	QTY
1000000	Exhaust manifold	1	1000000	Exhaust manifold	1
1000001	Exhaust pipe	1	1000001	Exhaust pipe	1
1000002	Exhaust gasket	1	1000002	Exhaust gasket	1
1000003	Exhaust nut	1	1000003	Exhaust nut	1
1000004	Exhaust washer	1	1000004	Exhaust washer	1
1000005	Exhaust flange	1	1000005	Exhaust flange	1
1000006	Exhaust bracket	1	1000006	Exhaust bracket	1
1000007	Exhaust support	1	1000007	Exhaust support	1
1000008	Exhaust hanger	1	1000008	Exhaust hanger	1
1000009	Exhaust clamp	1	1000009	Exhaust clamp	1
1000010	Exhaust seal	1	1000010	Exhaust seal	1
1000011	Exhaust cap	1	1000011	Exhaust cap	1
1000012	Exhaust plug	1	1000012	Exhaust plug	1
1000013	Exhaust pin	1	1000013	Exhaust pin	1
1000014	Exhaust screw	1	1000014	Exhaust screw	1
1000015	Exhaust bolt	1	1000015	Exhaust bolt	1
1000016	Exhaust nut	1	1000016	Exhaust nut	1
1000017	Exhaust washer	1	1000017	Exhaust washer	1
1000018	Exhaust flange	1	1000018	Exhaust flange	1
1000019	Exhaust bracket	1	1000019	Exhaust bracket	1
1000020	Exhaust support	1	1000020	Exhaust support	1
1000021	Exhaust hanger	1	1000021	Exhaust hanger	1
1000022	Exhaust clamp	1	1000022	Exhaust clamp	1
1000023	Exhaust seal	1	1000023	Exhaust seal	1
1000024	Exhaust cap	1	1000024	Exhaust cap	1
1000025	Exhaust plug	1	1000025	Exhaust plug	1
1000026	Exhaust pin	1	1000026	Exhaust pin	1
1000027	Exhaust screw	1	1000027	Exhaust screw	1
1000028	Exhaust bolt	1	1000028	Exhaust bolt	1
1000029	Exhaust nut	1	1000029	Exhaust nut	1
1000030	Exhaust washer	1	1000030	Exhaust washer	1
1000031	Exhaust flange	1	1000031	Exhaust flange	1
1000032	Exhaust bracket	1	1000032	Exhaust bracket	1
1000033	Exhaust support	1	1000033	Exhaust support	1
1000034	Exhaust hanger	1	1000034	Exhaust hanger	1
1000035	Exhaust clamp	1	1000035	Exhaust clamp	1
1000036	Exhaust seal	1	1000036	Exhaust seal	1
1000037	Exhaust cap	1	1000037	Exhaust cap	1
1000038	Exhaust plug	1	1000038	Exhaust plug	1
1000039	Exhaust pin	1	1000039	Exhaust pin	1
1000040	Exhaust screw	1	1000040	Exhaust screw	1
1000041	Exhaust bolt	1	1000041	Exhaust bolt	1
1000042	Exhaust nut	1	1000042	Exhaust nut	1
1000043	Exhaust washer	1	1000043	Exhaust washer	1
1000044	Exhaust flange	1	1000044	Exhaust flange	1
1000045	Exhaust bracket	1	1000045	Exhaust bracket	1
1000046	Exhaust support	1	1000046	Exhaust support	1
1000047	Exhaust hanger	1	1000047	Exhaust hanger	1
1000048	Exhaust clamp	1	1000048	Exhaust clamp	1
1000049	Exhaust seal	1	1000049	Exhaust seal	1
1000050	Exhaust cap	1	1000050	Exhaust cap	1
1000051	Exhaust plug	1	1000051	Exhaust plug	1
1000052	Exhaust pin	1	1000052	Exhaust pin	1
1000053	Exhaust screw	1	1000053	Exhaust screw	1
1000054	Exhaust bolt	1	1000054	Exhaust bolt	1
1000055	Exhaust nut	1	1000055	Exhaust nut	1
1000056	Exhaust washer	1	1000056	Exhaust washer	1
1000057	Exhaust flange	1	1000057	Exhaust flange	1
1000058	Exhaust bracket	1	1000058	Exhaust bracket	1
1000059	Exhaust support	1	1000059	Exhaust support	1
1000060	Exhaust hanger	1	1000060	Exhaust hanger	1
1000061	Exhaust clamp	1	1000061	Exhaust clamp	1
1000062	Exhaust seal	1	1000062	Exhaust seal	1
1000063	Exhaust cap	1	1000063	Exhaust cap	1
1000064	Exhaust plug	1	1000064	Exhaust plug	1
1000065	Exhaust pin	1	1000065	Exhaust pin	1
1000066	Exhaust screw	1	1000066	Exhaust screw	1
1000067	Exhaust bolt	1	1000067	Exhaust bolt	1
1000068	Exhaust nut	1	1000068	Exhaust nut	1
1000069	Exhaust washer	1	1000069	Exhaust washer	1
1000070	Exhaust flange	1	1000070	Exhaust flange	1
1000071	Exhaust bracket	1	1000071	Exhaust bracket	1
1000072	Exhaust support	1	1000072	Exhaust support	1
1000073	Exhaust hanger	1	1000073	Exhaust hanger	1
1000074	Exhaust clamp	1	1000074	Exhaust clamp	1
1000075	Exhaust seal	1	1000075	Exhaust seal	1
1000076	Exhaust cap	1	1000076	Exhaust cap	1
1000077	Exhaust plug	1	1000077	Exhaust plug	1
1000078	Exhaust pin	1	1000078	Exhaust pin	1
1000079	Exhaust screw	1	1000079	Exhaust screw	1
1000080	Exhaust bolt	1	1000080	Exhaust bolt	1
1000081	Exhaust nut	1	1000081	Exhaust nut	1
1000082	Exhaust washer	1	1000082	Exhaust washer	1
1000083	Exhaust flange	1	1000083	Exhaust flange	1
1000084	Exhaust bracket	1	1000084	Exhaust bracket	1
1000085	Exhaust support	1	1000085	Exhaust support	1
1000086	Exhaust hanger	1	1000086	Exhaust hanger	1
1000087	Exhaust clamp	1	1000087	Exhaust clamp	1
1000088	Exhaust seal	1	1000088	Exhaust seal	1
1000089	Exhaust cap	1	1000089	Exhaust cap	1
1000090	Exhaust plug	1	1000090	Exhaust plug	1
1000091	Exhaust pin	1	1000091	Exhaust pin	1
1000092	Exhaust screw	1	1000092	Exhaust screw	1
1000093	Exhaust bolt	1	1000093	Exhaust bolt	1
1000094	Exhaust nut	1	1000094	Exhaust nut	1
1000095	Exhaust washer	1	1000095	Exhaust washer	1
1000096	Exhaust flange	1	1000096	Exhaust flange	1
1000097	Exhaust bracket	1	1000097	Exhaust bracket	1
1000098	Exhaust support	1	1000098	Exhaust support	1
1000099	Exhaust hanger	1	1000099	Exhaust hanger	1
1000100	Exhaust clamp	1	1000100	Exhaust clamp	1



CRANKCASE, FAN COWL

247 FOR ELAN 200
292 FOR T'NT 292

302 FOR OLYMPIQUE 300
337 FOR OLYMPIQUE 335 SKANDIC
342 FOR T'NT 340



ITEM NO.	PART NO.	DESCRIPTION	QUANTITY				
			247	292	302	337	342
1-2-3-4-5	402 0201	Crankcase Ass'y Manual Engine	1				
1-2-3-4-5	402 0217	Crankcase Ass'y Electric Engine	1				
1-2-3-4-5	402 0221	Crankcase Ass'y Manual Engine		1		1	1
1-2-3-4-5	402 0222	Crankcase Ass'y Electric Engine				1	
1-2-3-4-5	402 0166	Crankcase Ass'y			1		
3	402 0007	Stud M8x56	2	2	2	2	2
4	402 0009	Stud M8x46	3	3	3	3	3
5	402 1015	Dowel Tube 10 ϕ x 15	2	2	2	2	2
6	402 0014	Gasket Crankcase	1	1	1	1	1
7	402 0016	Lock Washer 8	5	5	5	5	5
8	402 0018	Hex. Nut M8	5	5	5	5	5
9	402 0019	Sealing Ring	1	1	1	1	1
10	402 0020	Hex. Screw M8x9	1	1	1	1	1
11	402 0023	Stud M10x42, Engine Base	4	4	4	4	4
12	402 0091	Distance Sleeve	4	4	4	4	4
13	402 0025	Lock Washer 10	4	4	4	4	4
14	402 0026	Hex. Nut M10	4	4	4	4	4
15-16-17	402 0207	Bearing Cover W. O-Ring		1		1	1
16	402 0112	O-Ring		1		1	1
17	402 0208	O-Ring		1		1	1
18	402 0047	Stud M6x18		3		3	3
19	402 0015	Lock Washer 6		3		3	3
20	402 2053	Hex. Nut M6		3		3	3
21	402 0076	Stud M8 Cylinder	4	4	4	4	4
22	402 0031	Washer 8.4	4	4	4	4	4
23	402 0018	Hex. Nut M8	4	4	4	4	4



CRANKCASE FAN COWL

1971

247 FOR ELAN 250

302 FOR OLYMPIQUE 300

292 FOR T'NT 292

337 FOR OLYMPIQUE 335 SKANDIC

342 FOR T'NT 340

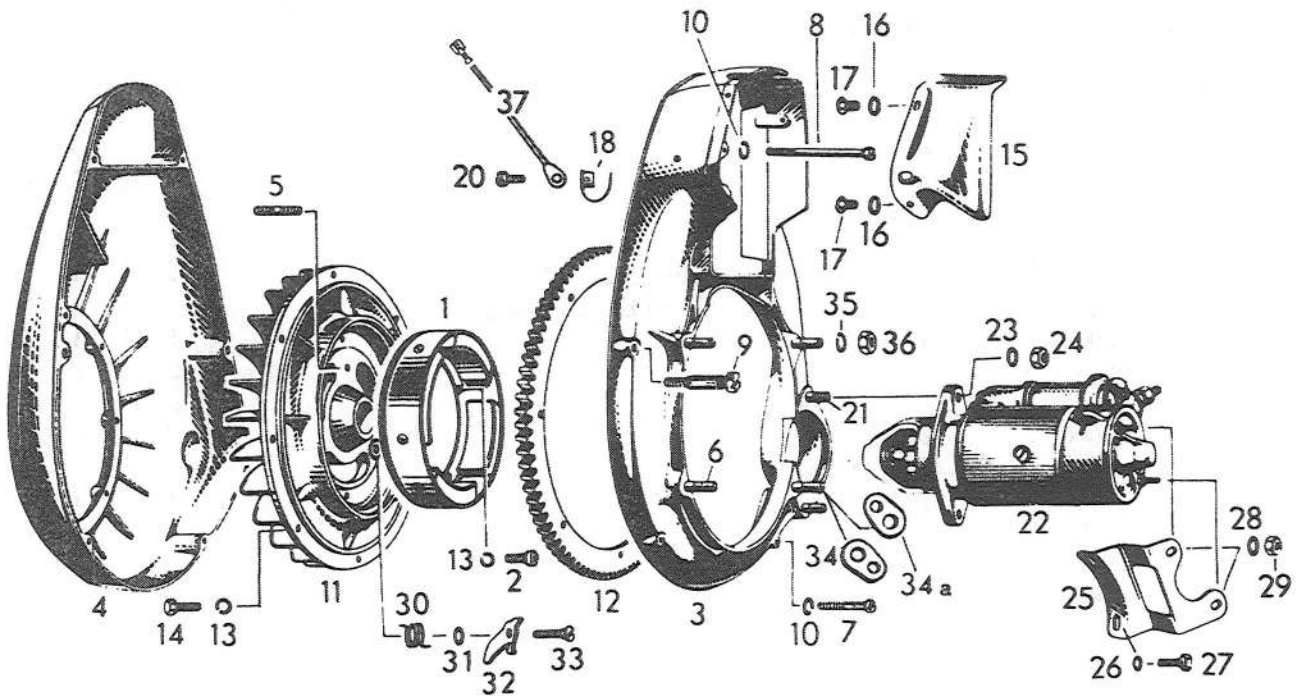
ITEM NO.	PART NO.	DESCRIPTION	QUANTITY				
			247	292	302	337	342
24-25	402 0219	Fan Cowl Ass'y	1				
24-25-26	402 0137	Fan Cowl Ass'y		1	1	1	1
25	402 2002	Stud M8 x 25	4	4	4	4	4
26	402 0100	Plastic Baffle		1	1	1	1
27	402 0016	Lock Washer 8	4	4	4	4	4
28	402 0018	Hex Nut M8	4	4	4	4	4
29	402 0141	Labyrinth Ring	1	1	1	1	1
30	402 0040	Cyl. Screw M6 x 10	4	4	4	4	4
31	402 0028	Cable Grommet (Ignition Cable) Manual Engine .	1	1	1	1	1
31	402 4157	Cable Grommet (Ignition Cable) Electric Engine .	1			1	
32	402 0094	Air Deflector		1	1	1	
33	402 3037	Spring Washer B5		2	2	2	
34	402 5045	Flat Headed Screw H5 x 8		2	2	2	
35	402 0061	Cable Clamp	1	1	1	1	1
36	402 0216	Mass Cable, Yellow 295mm	1				
36	402 0213	Mass Cable, Yellow 265mm		1	1	1	1
37	402 0057	Cyl. Screw M3 x 16	1	1	1	1	1
38	402 0212	Stud M8 x 13, Electric Engine				2	
39	402 0214	Spring Bracket	1		1	1	



ELECTRIC STARTER, FAN COWL, FAN

247 FOR ELAN 250E

337 FOR OLYMPIQUE 335E



ITEM NO.	PART NO.	DESCRIPTION	QUANTITY	
			247	337
1	402 4167	Magneto Ring	1	1
2	402 2208	Cyl. Screw w/int. Hex. M6 x 14	4	4
3-4-6-10	402 0143	Fan Cowl Ass'y	1	1
3	402 0144	Fan Cowl	1	1
4	402 0099	Cover Fan Cowl	1	1
5	402 4089	Stud M6 x 15, Starting Puller	2	2
6	402 2002	Stud M8 x 25	4	4
7	402 0069	Cyl. Screw M6x28	3	3
8	402 0145	Cyl. Screw M6 x 73	1	1
9	402 0070	Hex. Fit. Bolt M6	2	2
10	402 0015	Lock Washer 6	4	4
11	402 0102	Fan Ass'y	1	1
12	402 4011	Gear Wheel 101T	1	1
13	402 0015	Lock Washer 6, Gear Wheel	8	8
	402 0015	Lock Washer 6, Magneto Ring	4	4
14	402 5011	Hex. Screw M6 x 15	8	8
15	402 0094	Air Deflector	1	1
16	402 3037	Spring Washer B5	2	2
17	402 5045	Flat Headed Screw M5 x 8	2	2
18	402 0061	Cable Clamp	1	1
20	402 0057	Cyl. Screw M3 x 16	1	1
21	402 2003	Stud M8 x 18	2	2
22	402 4005	Electric Starter Ass'y	1	1
23	402 0016	Lock Washer 8	2	2



ELECTRIC STARTER FAN COWL, FAN

1971

247 FOR ELAN 250E

337 FOR OLYMPIQUE 335E

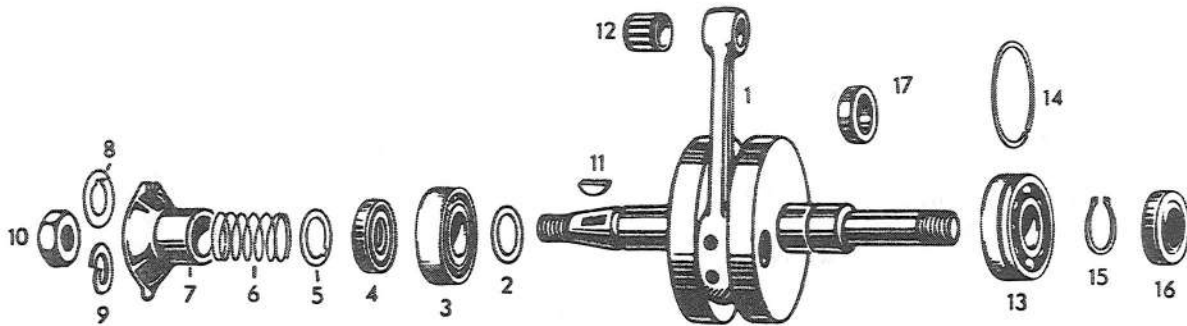
ITEM NO.	PART NO.	DESCRIPTION	QUANTITY	
			247	337
24	402 2041	Hex. Nut M8	2	2
25	402 0103	Starter Bracket	1	1
26	402 0104	Washer 6.2	2	2
27	402 5012	Hex Screw M6 x 16, Starter Bracket	2	2
28	402 4022	Washer 5.3	2	2
29	402 0105	Lock Nut M5	2	2
30	402 4096	Spring Centrifugal Weight	1	1
31	402 7001	Washer 6.2	1	1
32	402 0146	Centrifugal Weight	1	1
33	402 4094	Bearing Screw M6	1	1
34	402 0214	Spring Bracket	1	
34a	402 0214	Spring Bracket		1
35	402 0016	Lock Washer, 8	4	4
36	402 0018	Hex. Nut M8	4	4
37	402 0213	Mass Cable Ass'y Yellow 265mm	1	1



CRANKSHAFT BEARINGS

247 FOR ELAN 250
292 FOR T'NT 292

302 FOR OLYMPIQUE 300
337 FOR OLYMPIQUE 335 SKANDIC



ITEM NO.	PART NO.	DESCRIPTION	QUANTITY				
			247	292	302	337	342
1	402 1030	Crankshaft Ass'y	1				
1	402 1261	Crankshaft Ass'y			1		
1	402 1275	Crankshaft Ass'y		1			
1	402 1276	Crankshaft Ass'y				1	1
2	402 1023	Shim 0.2mm	AR		AR		
	402 1024	Shim 0.3mm	AR		AR		
	402 1025	Shim 0.5mm	AR		AR		
	402 1026	Shim 1.0mm	AR	AR	AR	AR	AR
	402 1126	Shim 0.1mm	AR		AR		
3	402 1257	Roller Bearing Nu305		1		1	1
3	402 1005	Deep Groove Ball Bearing 6305	2		2		
4	402 1002	Oil Seal	2		2		
4	402 1260	Oil Seal		1		1	1
5	402 1035	Washer Cam Spring	1	1	1	1	1
6	402 1036	Spring, Breaker Cam	1	1	1	1	1
7	402 1127	Breaker Cam	1	1	1	1	1
8	402 1040	Lock Washer, Engine W/Out Electric Starter	1	1	1	1	1
9	402 1095	Lock Washer, Engine with Electric Starter	1			1	
10	402 1043	Hex. Nut M18 x 1.5	1	1	1	1	1
11	402 1010	Woodruff Key 5 x 6.5	1	1	1	1	1
12	402 1033	Needle Cage	1	1	1	1	1
13-14	402 1263	Ball Bearing 6306		1		1	1
14	402 1105	Groove Ring		1		1	1
15	402 1041	Lock Ring		1		1	1
16	402 1003	Oil Seal		1		1	1
17	402 1012	Distance Sleeve	1				



THE CANADIAN PATENT OFFICE
LE BUREAU CANADIEN DES BREVETS
DEPARTMENT OF TRADE AND COMMERCE
LE BUREAU CANADIEN DU COMMERCE
ET DE L'INDUSTRIE



NO.	DESCRIPTION	UNIT	QTY.
1
2
3
4
5
6
7
8
9
10
11
12
13
14
15
16
17
18
19
20
21
22
23
24
25
26
27
28
29
30
31
32
33
34
35
36
37
38
39
40
41
42
43
44
45
46
47
48
49
50

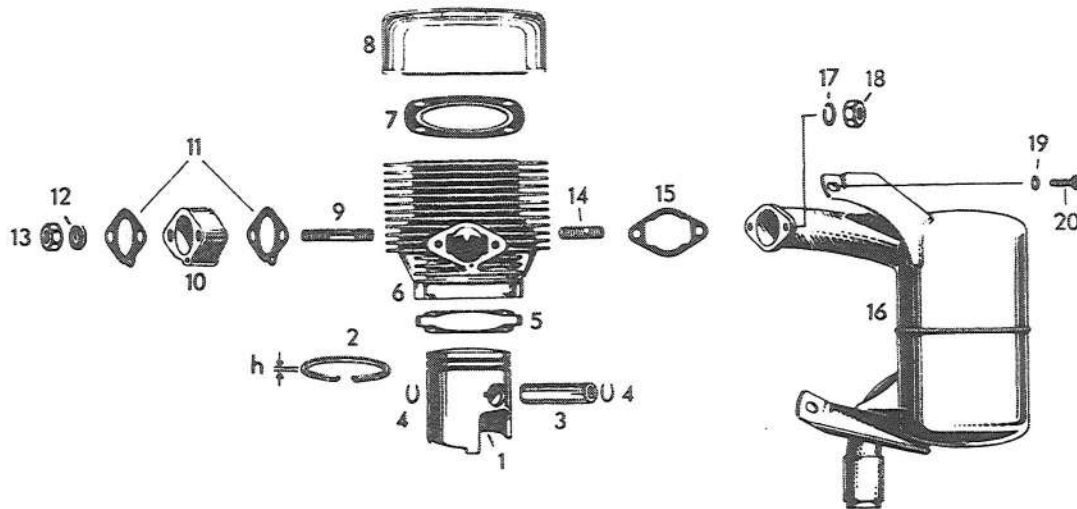


CYLINDER PISTON MUFFLER

247 FOR ELAN 250

302 FOR OLYMPIQUE 300

337 FOR OLYMPIQUE 335 SKANDIC



ITEM NO.	PART NO.	DESCRIPTION	QUANTITY		
			247	302	337
1-2	402 1264	Piston Ass'y w/2 Rings 69.0ϕ Std	1		
2	402 2294	Rectangular Ring 69.0ϕ Std	2		
1-2	402 1129	Piston Ass'y w/2 Rings 76.0ϕ Std		1	
2	402 1132	Rectangular Ring 76.0ϕ Std		2	
1-2	402 1190	Piston Ass'y w/2 Rings 78.0ϕ Std			1
2	402 1171	Rectangular Ring 78.0ϕ Std			2
1-2	402 1265	Piston Ass'y W/2 Rings 69.5ϕ 1st Oversize	1		
2	402 2295	Rectangular Ring 69.5ϕ 1st Oversize	2		
1-2	402 1130	Piston Ass'y w/2 Rings 76.5ϕ 1st Oversize		1	
2	402 1133	Rectangular Ring 76.5ϕ 1st Oversize		2	
1-2	402 1191	Piston Ass'y w/2 Rings 78.5ϕ 1st Oversize			1
2	402 1172	Rectangular Ring 78.5ϕ 1st Oversize			2
1-2	402 1131	Piston Ass'y w/2 Rings 77.0ϕ 2nd Oversize		1	
2	402 1134	Rectangular Ring 77.0ϕ 2nd Oversize		2	
3	402 1062	Gudgeon Pin	1		
3	402 1064	Gudgeon Pin		1	1
4	402 1067	Circlip Gudgeon Pin	2	2	2
5	402 2123	Gasket, Cylinder Flange	1	1	1
6	402 2292	Cylinder With Sleeve	1		
6	402 2122	Cylinder With Sleeve		1	
6	402 2196	Cylinder With Sleeve			1
7	402 2030	Gasket, Cylinder Head	1		
7	402 2101	Gasket, Cylinder Head		1	1
8	402 2285	Cylinder Head Std. Comp. Ratio 7.5	1		
8	402 2309	Cylinder Head High Altitude Comp. Ratio 11.0	1		
8	402 2124	Cylinder Head Std. Comp. Ratio 7.0		1	
8	402 2311	Cylinder Head High Altitude, Comp Ratio 11.0		1	
8	402 2197	Cylinder Head Std. Comp. Ratio 9.0			1
8	402 2312	Cylinder Head High. Altitude, Comp. Ratio 12.0			1
9	402 0123	Stud M8x37. Carburetor	2	2	2



CYLINDER PISTON MUFFLER

1971

247 FOR ELAN 250

302 FOR OLYMPIQUE 300

337 FOR OLYMPIQUE 335 SKANDIC

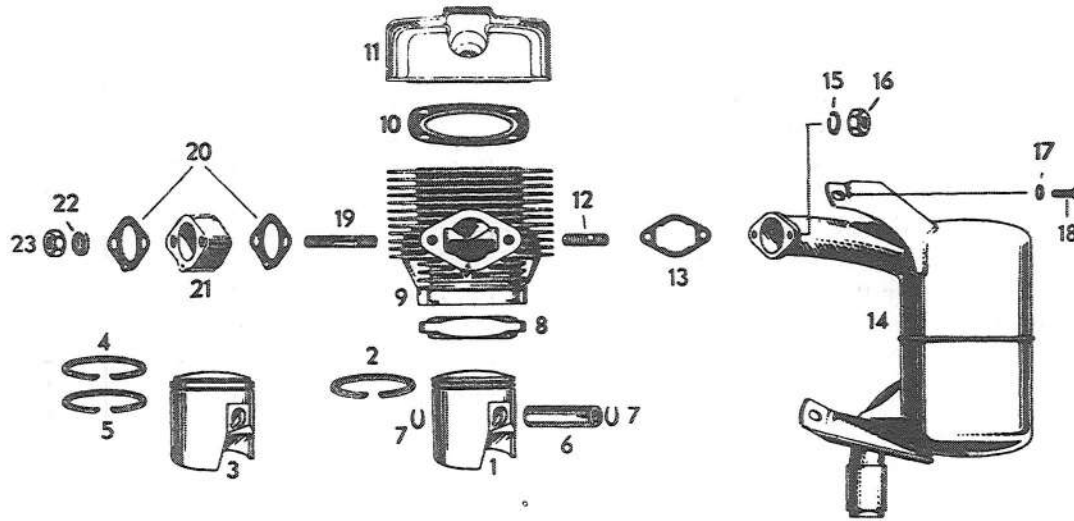
ITEM NO.	PART NO.	DESCRIPTION	QUANTITY		
			247	302	337
10	402 2170	Isolating Flange 18.5mm Thick	1	1	1
11	404 0039	Tillotson Carburator Flange Gasket	2	2	2
12	402 2072	Isolating Washer Carburator	2	2	2
13	402 0018	Hex Nut M8, Carburator	2	2	2
14	402 2038	Stud M8x19 Muffler	2	2	2
15	402 2043	Gasket, Muffler	1		
15	402 2089	Gasket, Muffler		1	1
16	402 2249	Muffler	1		
16	402 2119	Muffler (Olympique)		1	1
16	402 2255	Muffler (Skandic)			1
17	402 0016	Lock Washer 8	2	2	2
18	402 0018	Hex. Nut M8	2	2	2
19	402 0031	Washer 8.4 Muffler Bracket	1	1	1
20	402 2001	Hex. Screw M8x20	1	1	1



CYLINDER PISTON MUFFLER

292 FOR T'NT 292

342 FOR T'NT 340



ITEM NO.	PART NO.	DESCRIPTION	QUANTITY	
			292	342
1-2	402 1266	Piston Ass'y w/2 Rings 75.0ϕ Std	1	
2	402 2273	Rectangular Ring 75.0ϕ Std	2	
1-2	402 1268	Piston Ass'y w/2 R-Rings 78.0ϕ Std		1
2	402 1178	Rectangular Ring 78.0ϕ Std		2
1-2	402 1267	Piston Ass'y w/2 R-Rings 75.5ϕ 1st Oversize	1	
2	402 2274	Rectangular Ring 75.5ϕ 1st Oversize	2	
1-2	402 1269	Piston Ass'y w/2 R-Rings 78.5ϕ 1st Oversize		1
2	402 1179	Rectangular Ring 78.5ϕ 1st Oversize		2
1-2	402 1270	Piston Ass'y w/2 R-Rings 79.0ϕ 2nd Oversize		1
2	402 2275	Rectangular Ring 79.0ϕ 2nd Oversize		2
3-4-5		Piston Ass'y w/L-&R Ring Optional		
3-4-5	402 2259	Piston Ass'y w/L & R Ring 75.0ϕ Std	1	
4	402 2266	L-Ring 75.0ϕ Std	1	
5	402 2273	Rectangular Ring 75.0ϕ Std	1	
3-4-5	402 2261	Piston Ass'y w/L & R Ring 78.0ϕ Std		1
4	402 2268	L-Ring 78.0ϕ Std		1
5	402 1178	Rectangular Ring 78.0ϕ Std		1
3-4-5	402 2260	Piston Ass'y w/L & R Ring 75.5ϕ 1st Oversize	1	
4	402 2267	L-Ring 75.5ϕ 1st Oversize v.	1	
5	402 2274	Rectangular Ring 75.5ϕ 1st Oversize	1	
3-4-5	402 2262	Piston Ass'y w/L & R Ring 78.5ϕ 1st Oversize		1
4	402 2269	L-Ring 78.5ϕ 1st Oversize		1
5	402 1179	Rectangular Ring 78.5ϕ 1st Oversize		1
3-4-5	402 2263	Piston Ass'y w/L & R Ring 79.0ϕ 2nd Oversize		1
4	402 2270	L-Ring 79.0ϕ 2nd Oversize		1
5	402 2275	Rectangular Ring 79.0ϕ 2nd Oversize		1
6	402 1064	Gudgeon Pin	1	1
7	402 1067	Circlip 18. Gudgeon Pin	2	2
8	402 2123	Gasket, Cylinder Flange	1	1
9	402 2186	Cylinder With Sleeve	1	



CYLINDER PISTON MUFFLER

1971

292 FOR T'NT 292

342 FOR T'NT 340

ITEM NO.	PART NO.	DESCRIPTION	QUANTITY	
			292	342
9	402 2187	Cylinder With Sleeve		1
10	402 2101	Gasket, Cylinder Head	1	1
11	402 2293	Cylinder Head Std. Comp. Ratio 10.5	1	
11	402 2310	Cylinder Head High Altitude Comp. Ratio 14.0	1	
11	402 2286	Cylinder Head, Std. Comp Ratio 10.5		1
11	402 2313	Cylinder Head High Altitude Comp. Ratio 14.0		1
12	402 2038	Stud M8x19	1	1
13	402 2089	Gasket Muffler	1	
13	402 2100	Gasket Muffler		1
14	402 2119	Muffler	1	
14	402 2198	Muffler		1
15	402 0016	Lock Washer 8	2	2
16	402 0018	Hex Nut M8	2	2
17	402 0031	Washer 8.4	1	1
18	402 2001	Hex. Screw M8x20	1	1
19	402 2159	Stud M8x41	2	2
20	404 0212	Tillotson Carburator Flange Gasket	2	2
21	402 2171	Isolating Flange 20mm Thick	1	1
22	402 2072	Isolating Washer	2	2
23	402 0018	Hex. Nut M8	2	2



STARTING PULLEY REWIND STARTER

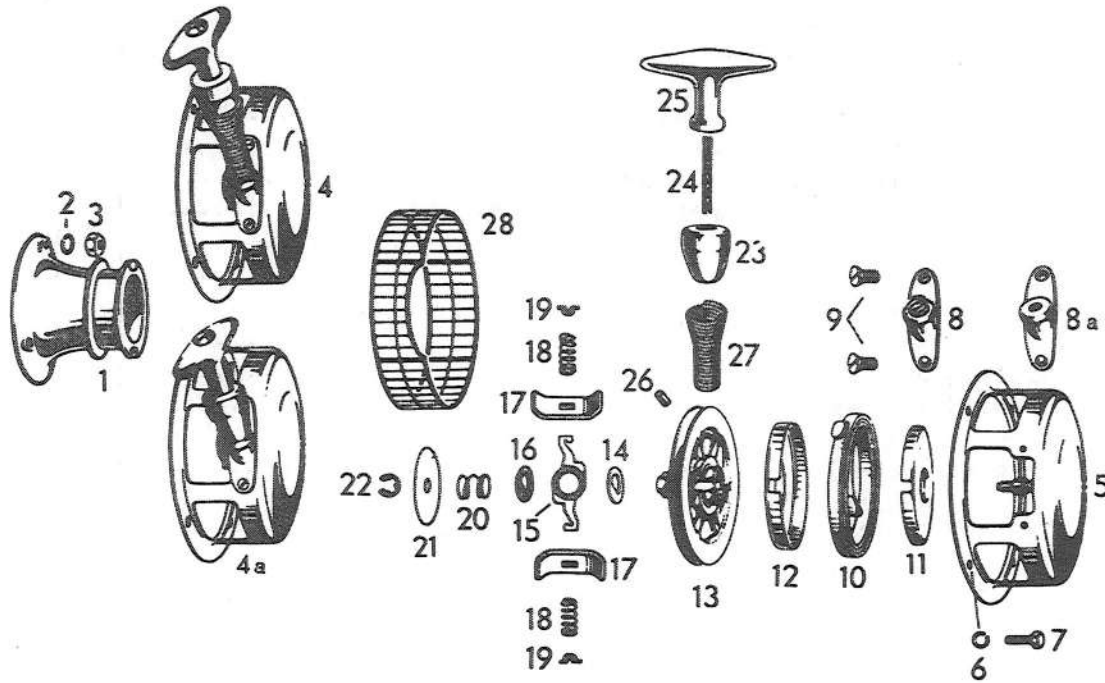
247 FOR ELAN 250

302 FOR OLYMPIQUE 300

292 FOR T'NT 292

337 FOR OLYMPIQUE 335 SKANDIC

342 FOR T'NT 340



ITEM NO.	PART NO.	DESCRIPTION	QUANTITY				
			247	292	302	337	342
1	402 5003	Starting Pulley	1	1	1	1	1
2	402 0015	Lock Washer 6	3	3	3	3	3
3	402 2053	Hex. Nut M6	3	3	3	3	3
4	402 5055	Rewind Starter Ass'y	1				
4a	402 5005	Rewind Starter Ass'y		1	1	1	1
5	402 5035	Starter Housing	1	1	1	1	1
6	402 0015	Lock Washer 6	4	4	4	4	4
7	402 5011	Hex. Screw M6x15	4	4	4	4	4
8	402 5053	Starter Stop	1				
8a	402 5036	Starter Stop		1	1	1	1
9	402 5037	Countersunk Screw M5 x 8	2	2	2	2	2
10-11-12	402 5023	Spring Cartridge Ass'y	1	1	1	1	1
10	402 5022	Rewind Spring	1	1	1	1	1
11	402 5038	Spring Guide	1	1	1	1	1
12	402 5044	Cover, Spring Guide	1	1	1	1	1
13	265 2003	Rope Sheave	1	1	1	1	1
14	402 5026	D Washer	1	1	1	1	1
15	402 5028	Pivot Arm	1	1	1	1	1
16	402 5027	Friction Washer	1	1	1	1	1
17	402 5029	Pawl	2	2	2	2	2
18	402 5030	Pawl Spring	2	2	2	2	2
19	402 5031	Pawl Spring Stop	2	2	2	2	2
20	402 5032	Friction Spring	1	1	1	1	1
21	402 5033	Washer	1	1	1	1	1
22	402 5034	Circlip	1	1	1	1	1
23	402 5039	Rubber Buffer	1	1	1	1	1
24-25	402 5017	Starter Rope With Grip	1	1	1	1	1



STARTING PULLEY REWIND STARTER

1971

247 FOR ELAN 250

302 FOR OLYMPIQUE 300

292 FOR T'NT 292

337 FOR OLYMPIQUE 335 SKANDIC

342 FOR T'NT 340

ITEM NO.	PART NO.	DESCRIPTION	QUANTITY				
			247	292	302	337	342
24	402 5018	Starter Rope 1200mm	1	1	1	1	1
25	402 5019	Starter Grip	1	1	1	1	1
26	402 5016	Bolt 5φ x 6mm Starter Rope	1	1	1	1	1
27	402 5054	Spring	1				
28	402 5042	Protection Sieve	1	1	1	1	1

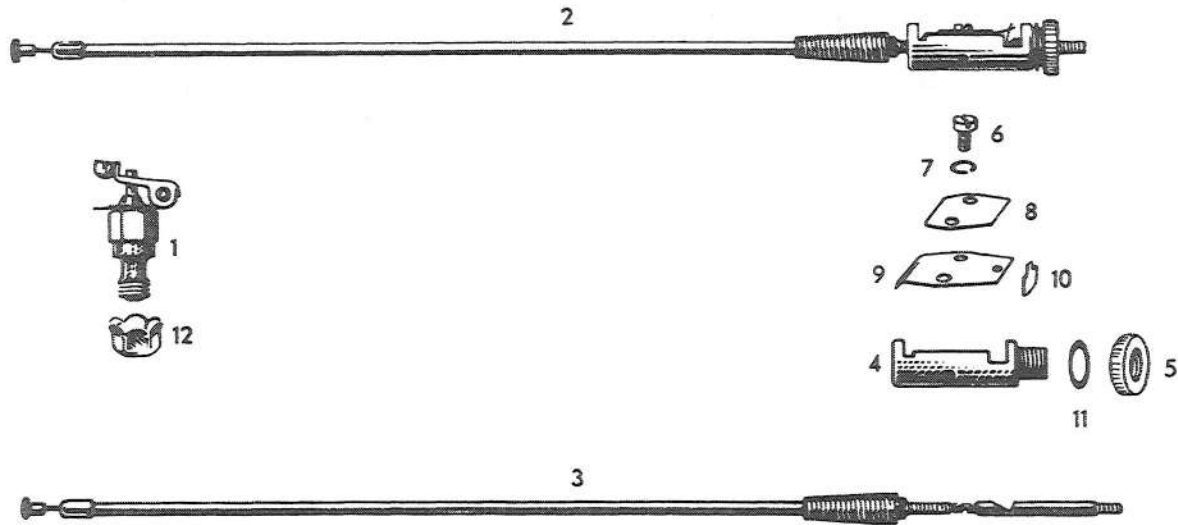


DECOMPRESSOR

247 FOR ELAN 250

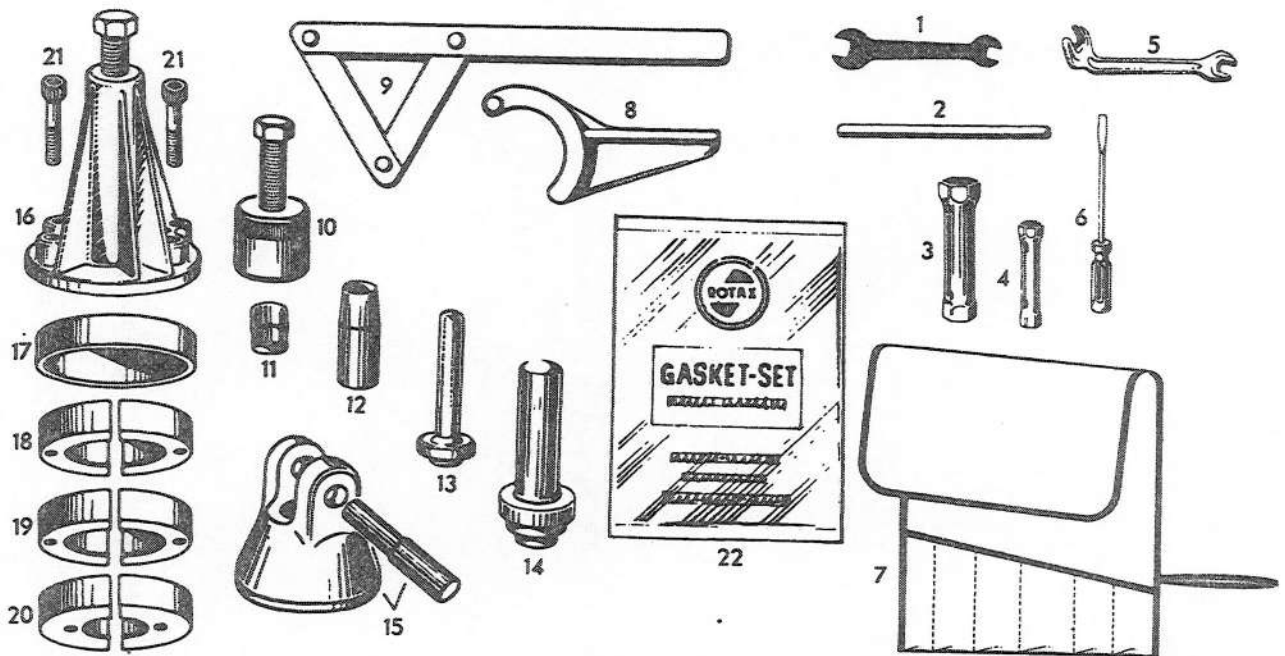
302 FOR OLYMPIQUE 300

337 FOR OLYMPIQUE 335 SKANDIC



ITEM NO.	PART NO.	DESCRIPTION	QUANTITY		
			247	302	337
1	402 6004	Decompressor Ass'y	1	1	1
2	402 6024	Decompressor Switch Ass'y w/Cable 320/372mm	1	1	1
3	402 6025	Switch Bolt w/Cable 300/372mm	1	1	1
4	402 6021	Switch Housing	1	1	1
5	402 6023	Knurled Nut M12x1	1	1	1
6	402 6011	Cyl. Screw M4 x 7	2	2	2
7	402 7016	Lock Washer 4	2	2	2
8	402 6010	Reinforcement Spring	2	2	2
9	402 6008	Switch Spring	1	1	1
10	402 6009	Lock Spring	1	1	1
11	402 6022	Washer	1	1	1
12	402 6015	Locking And Sealing Sleeve	1	1	1





ITEM NO.	PART NO.	DESCRIPTION	QUANTITY				
			247	292	302	337	342
1-2-3-4-5-6-7	402 8063	Tool Set Ass'y	1	1	1	1	1
1	402 8062	Fork Wrench 11/13mm	1	1	1	1	1
2	402 8039	Bolt 8x130, Socket Wrench	1	1	1	1	1
3	402 8060	Socket Wrench 21/26 mm	1	1	1	1	1
4	402 8059	Socket Wrench 11/13mm	1	1	1	1	1
5	402 8049	Angular Wrench 10/13mm	1	1	1	1	1
6	402 8061	Screw Driver	1	1	1	1	1
7	402 8058	Tool Bag	1	1	1	1	1
8	402 8038	Holder, Crankshaft	1	1	1	1	1
9	402 8034	Wrench To Hold Fan (Electric Model)	1			1	
9	402 8008	Wrench To Hold Fan (Manual Model)	1	1	1	1	1
10	402 8004	Puller For Flywheel	1	1	1	1	1
11	402 8005	Protection Cap 18mm	1	1	1	1	1
12	402 8010	Sleeve For Oil Seal, Magneto Side	1	1	1	1	1
12	402 8011	Sleeve For Oil Seal, P.T.O. Side	1		1		
13	402 8067	Stamp To Mount Oil Seal Magneto Side		1		1	1
14	402 8037	Stamp To Mount Oil Seal P.T.O. Side		1		1	1
14	402 8028	Stamp To Mount Oil Seal	1		1		
15	402 8013	Holder With Bolt, Connecting Rod	1	1	1	1	1
16	402 8065	Puller	1	1	1	1	1
17	402 8070	Ring For Puller	1	1	1	1	1
17	402 8071	Ring For Puller		1		1	1
18	402 8068	Ring Half For Ball Bearing	2		2		
19	402 8069	Ring Half For Ball Bearing		2		2	2
20	402 8066	Ring Half For Roller Bearing		2		2	2
21	402 2287	Screw w. Int. Hex M8 x 40 For Puller					
22	402 9027	Gasket Set	1				
22	402 9021	Gasket Set		1		1	
22	402 9010	Gasket Set			1		
22	402 9022	Gasket Set					1





ENGINE ROTAX 71

SECTION 2-2

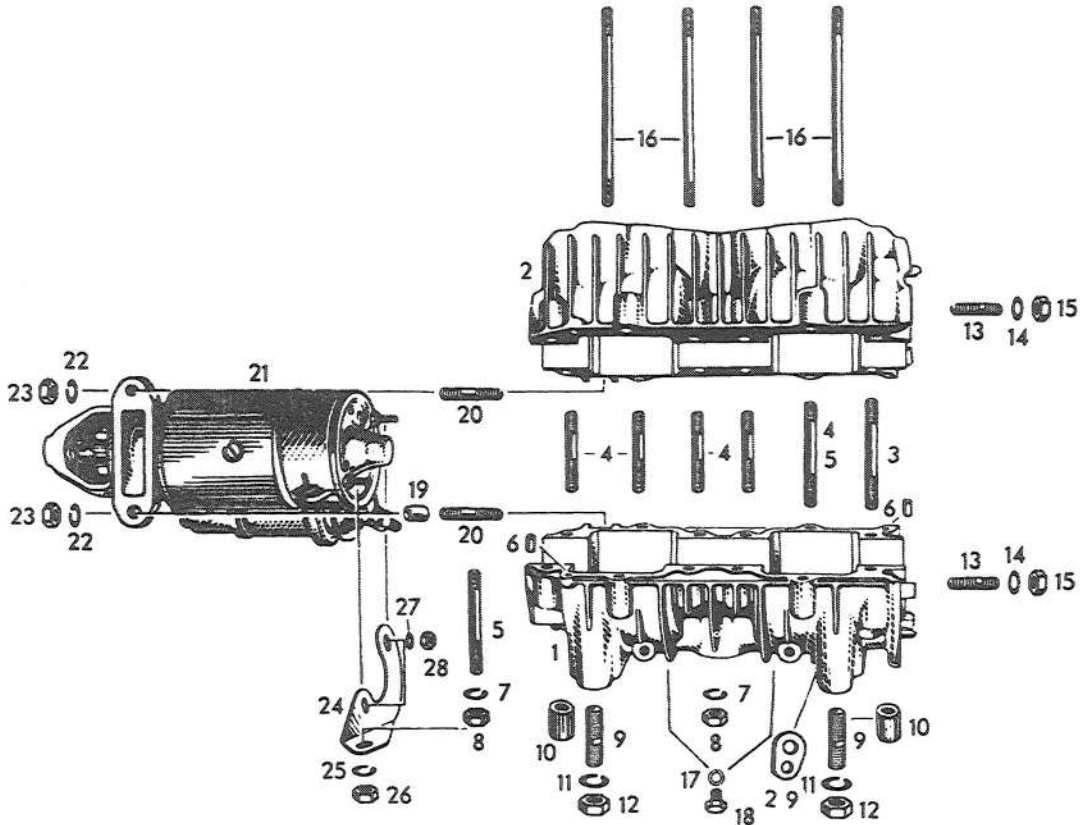
TYPE	MODEL
401	Olympique 399 - 399E Nordic 399 - 399E Valmont 399R - 399ER Alpine 399R - 399ER
640	Nordic 640E Valmont ER Alpine 640ER
641	T'NT 640
775	T'NT 775



CRANKCASE ELECTRIC STARTER

401 FOR OLYMPIQUE 399 - NORDIC 399
VALMONT 399 - ALPINE 399

640 FOR NORDIC 640 - VALMONT 640
ALPINE 640



ITEM NO.	PART NO.	DESCRIPTION	QUANTITY	
			401	640
1-2-3-4-5-6	402 0218	Crankcase Ass'y	1	
1-2-3-4-5-6	402 0167	Crankcase Ass'y		1
3	402 0007	Stud M8 x 56	2	2
4	402 0123	Stud M8 x 37	7	9
5	402 0009	Stud M8 x 46	1	1
6	402 0161	Dowel Pin 5φ x10	2	2
7	402 0016	Lock Washer 8	10	12
8	402 0018	Hex Nut M8	10	12
9	402 0153	Stud M10 x 18, Engine Base	4	
9	402 0178	Stud M12 x 26, Engine Base		4
10	402 0177	Distance Sleeve		4
11	402 0025	Lock Washer 10	4	
11	402 1038	Lock Washer 12		4
12	402 0026	Hex Nut M10	4	
12	402 0117	Hex Nut M12		4
13	402 0115	Stud M8 x 16	4	4
14	402 1158	Locking Washer 8	4	4
15	402 0134	Hex Nut M8	4	4
16	402 2160	Stud M8 Cylinder	8	
16	402 0076	Stud M8 Cylinder		8
17	402 0019	Sealing Ring		2
18	402 0020	Oil Drain Screw M8 x 9		2



CRANKCASE ELECTRIC STARTER

1971

401 FOR OLYMPIQUE 399 - NORDIC 399
VALMONT 399 - ALPINE 399

640 FOR NORDIC 640
VALMONT 640 - ALPINE 640

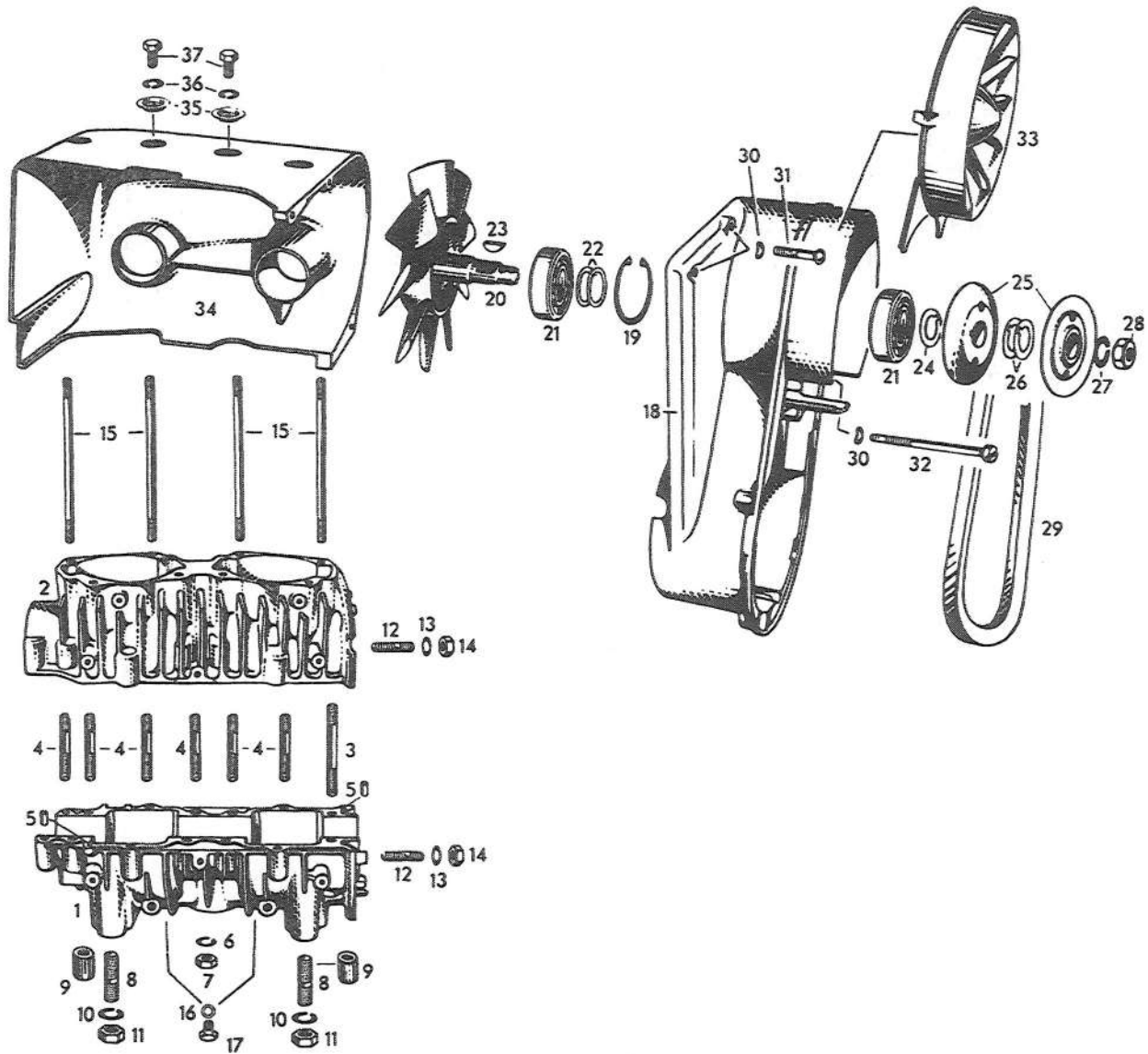
ITEM NO.	PART NO.	DESCRIPTION	QUANTITY	
			401	640
19	402 7059	Dowel Tube 10φ x 13, Electric Starter	1	1
20	402 2002	Stud M8x25, Electric Starter	2	2
21	402 7060	Electric Starter Ass'y	1	1
22	402 0016	Lock Washer 8	2	2
23	402 0017	Hex Nut M8	2	2
24	402 7072	Starter Bracket	1	
24	402 7070	Starter Bracket		1
25	402 0016	Lock Washer 8	1	1
26	402 0018	Hex Nut M8	1	1
27	402 4022	Washer 5.3	2	2
28	402 0105	Lock Nut M5	2	2
29	402 0214	Spring Bracket	1	



CRANKCASE, FAN HOUSING, FAN V-BELT

641 FOR T'NT 640

775 FOR T'NT 775



ITEM NO.	PART NO.	DESCRIPTION	QUANTITY	
			641	775
1-2-3-4-5	402 0198	Crankcase Ass'y	1	
1-2-3-4-5	402 0220	Crankcase Ass'y		1
3	402 0007	Stud M8 x 56	2	2
4	402 0123	Stud M8 x 37	12	12
5	402 0161	Dowel Pin 5φ x 10	2	2
6	402 0016	Lock Washer 8	14	14
7	402 0018	Hex Nut M8	14	14
8	402 0178	Stud M12 x 26	4	4
9	402 0177	Distance Sleeve 6MM	4	4
10	402 1038	Lock Washer 12	4	4
11	402 0117	Hex Nut M12	4	4
12	402 0115	Stud M8 x 16 Fan Housing	4	4
13	402 1158	Locking Washer 8	4	4



641 FOR T'NT 640

775 FOR T'NT 775

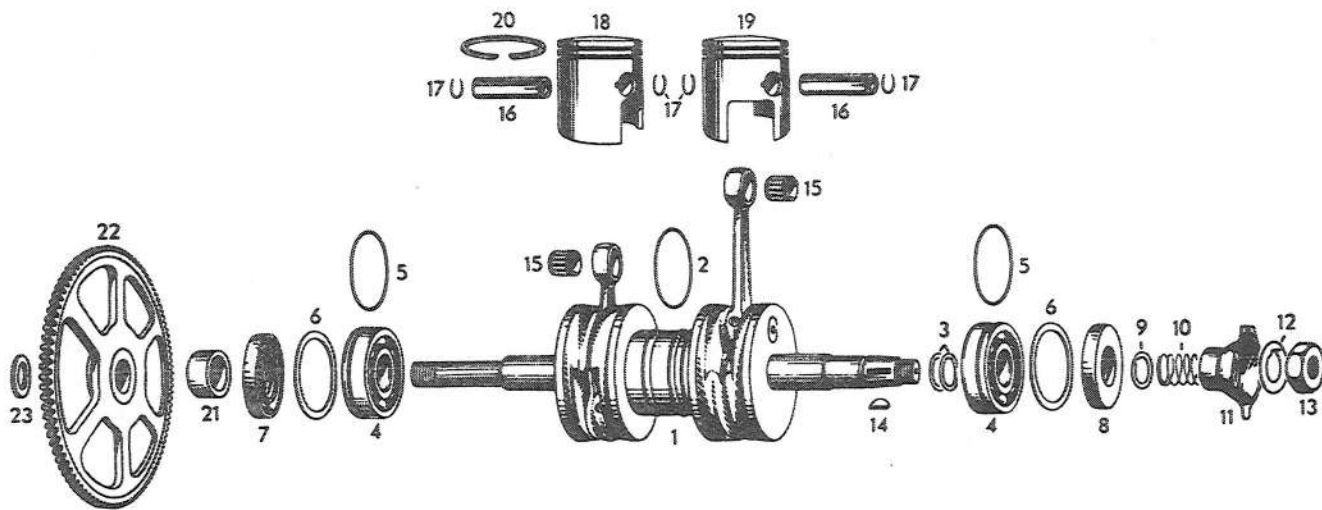
ITEM NO.	PART NO.	DESCRIPTION	QUANTITY	
			641	775
14	402 0134	Hex Nut M8	4	4
15	402 0076	Stud M8 Cylinder	4	4
16	402 0019	Sealing Ring	2	2
17	402 0020	Oil Drain Screw M8 x 9	2	2
18	402 0158	Fan Housing	1	1
19	402 0118	Locking Ring	1	1
20	402 0126	Fan With Shaft Ass'y	1	1
21	402 0136	Ball Bearing 6204	2	2
22	402 1018	Shim 1.0MM	2	2
23	402 1009	Woodruff Key 3 x 5	1	1
24	402 0129	Shim	1	1
25	402 0163	Pulley Half	2	2
26	402 0129	Shim	4	4
27	402 1084	Lock Washer 14	1	1
28	402 1086	Hex Nut M14 x 1.5	1	1
29	402 0121	V-Belt	1	1
30	402 0133	Spring Washer B6	3	3
31	402 0151	Flat Head Screw M6 x 30	2	2
32	402 2125	Cyl. Screw M6 x 80	1	1
33	402 0187	Fan Cover	1	1
34	402 0191	Air Cowl	1	1
35	402 0185	Cowl Cover	2	2
36	402 0016	Lock Washer 8	2	2
37	402 0186	Hex Screw 5/16" x 15	2	2



CRANKSHAFT, PISTONS, STARTER GEAR

401 FOR OLYMPIQUE 399 - NORDIC 399
VALMONT 399 - ALPINE 399

640 FOR NORDIC 640 - VALMONT 640
ALPINE 640



ITEM NO.	PART NO.	DESCRIPTION	QUANTITY	
			401	640
1-2	402 1150	Crankshaft Ass'y	1	
1-2	402 1197	Crankshaft Ass'y		1
2	402 1137	O-Ring	3	
2	402 1119	O-Ring		3
3	402 1023	Shim 0.2MM	AR	
	402 1115	Shim 0.2MM		AR
	402 1024	Shim 0.3MM	AR	
	402 1114	Shim 0.3MM		AR
	402 1025	Shim 0.5MM	AR	
	402 1026	Shim 1.0MM	AR	
	402 1112	Shim 1.0MM		AR
	402 1126	Shim 0.1MM	AR	
	402 1113	Shim 0.15MM		AR
4	402 1142	Ball Bearing	2	
4	402 1139	Ball Bearing 6306		2
5	402 1137	O-Ring	2	
5	402 1119	O-Ring		2
6	402 1135	Retaining Washer	2	
6	402 1108	Retaining Washer		2
7	402 1138	Oil Seal	1	
8	402 1136	Oil Seal	1	
7-8	402 1101	Oil Seal		2
9	402 1035	Washer Cam Spring	1	
9	402 1026	Washer Cam Spring		1
10	402 1036	Spring Breaker Cam	1	1
11	402 1156	Breaker Cam	1	1
12	402 1040	Lock Washer	1	1
13	402 1043	Hex Nut M18 x 1.5	1	1
14	402 1010	Woodruff Key 5 x 6.5	1	1
15	402 1033	Needle Cage	2	2



CRANKSHAFT, PISTONS, STARTER GEAR

1971

401 FOR OLYMPIQUE 399 - NORDIC 399
VALMONT 399 - ALPINE 399

640 FOR NORDIC 640 - VALMONT 640
ALPINE 640

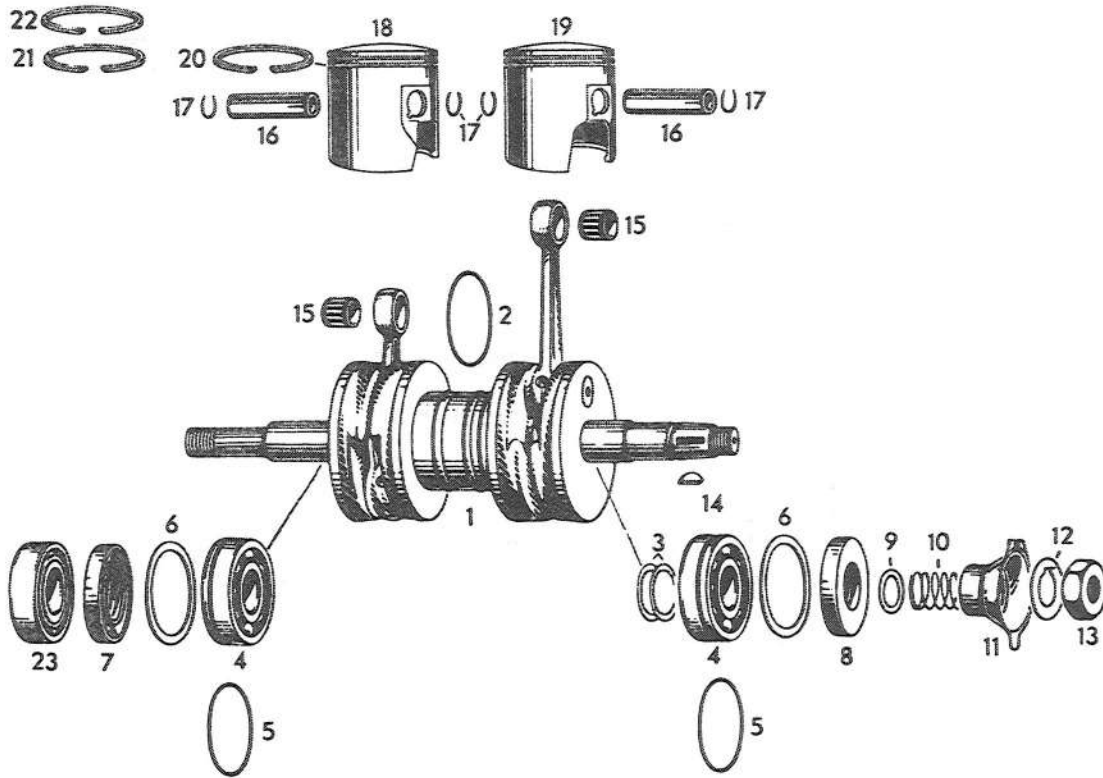
ITEM NO.	PART NO.	DESCRIPTION	QUANTITY	
			401	640
16	402 1063	Gudgeon Pin	2	
16	402 1064	Gudgeon Pin		2
17	402 1067	Circlip, Gudgeon Pin	4	4
18-20	402 1198	Piston Ass'y w/2 R Rings 64.5 ϕ Std P.T.O. Side	1	
20	402 1186	Rectangular Ring 64.5 ϕ Std	2	
18-20	402 1151	Piston Ass'y w/2 R Rings 76.0 ϕ Std P.T.O. Side		1
20	402 1132	Rectangular Ring 76.0 ϕ Std		2
19-20	402 1200	Piston Ass'y w/2 R. Rings 64.5 ϕ Std Magneto Side	1	
20	402 1186	Rectangular Ring 64.5 ϕ Std	2	
19-20	402 1153	Piston Ass'y w/2 R Rings 76.0 ϕ Std Magneto Side		1
20	402 1132	Rectangular Ring 76.0 ϕ Std		2
18-20	402 1199	Piston Ass'y w/2 R Rings 65.0 ϕ 1st Oversize P.T.O. Side	1	
20	402 1187	Rectangular Ring 65.0 ϕ 1st Oversize	2	
18-20	402 1152	Piston Ass'y w/2 R Rings 76.5 ϕ 1st Oversize P.T.O. Side		1
20	402 1133	Rectangular Ring 76.5 ϕ 1st Oversize		2
19-20	402 1201	Piston Ass'y w/2 R Rings 65.0 ϕ 1st Oversize Magneto Side	1	
20	402 1187	Rectangular Ring 65.0 ϕ 1st Oversize	2	
19-20	402 1154	Piston Ass'y w/2 R Rings 76.5 ϕ 1st Oversize Magneto Side		1
20	402 1133	Rectangular Ring 76.5 ϕ 1st Oversize		2
21	402 1120	Distance Sleeve 21MM Engine Without Electric Starter Only	1	
21	402 1143	Distance Sleeve 14.5MM	1	
21	402 1196	Distance Sleeve 24MM, Engine Without Electric Starter Only		1
22	402 5049	Starter Gear 77t	1	
22	402 7075	Starter Gear 86t		1
23	402 1123	Washer Crankshaft P.T.O. Side	1	



CRANKSHAFT, PISTONS

775 FOR T'NT 775

641 FOR T'NT 640



ITEM NO.	PART NO.	DESCRIPTION	QUANTITY	
			641	775
1-2	402 1206	Crankshaft Ass'y	1	
1-2	402 1277	Crankshaft Ass'y		1
2	402 1119	O-Ring	3	3
3	402 1112	Shim 1.0MM	AR	AR
	402 1113	Shim 0.15MM		
	402 1114	Shim 0.3MM		
	402 1115	Shim 0.2MM		
4	402 1139	Ball Bearing 6306	2	2
5	402 1119	O-Ring	2	2
6	402 1108	Retaining Disk	2	2
7-8	402 1101	Oil Seal	2	2
9	402 1026	Washer Cam Spring	1	1
10	402 1036	Spring Breaker Cam	1	1
11	402 1156	Breaker Cam	1	1
12	402 1040	Lock Washer	1	1
13	402 1043	Hex Nut M18 x 1.5	1	1
14	402 1010	Woodruff Key 5 x 6.5	1	1
15	402 1033	Needle Cage	2	2
16	402 1064	Gudgeon Pin	1	
16	402 1216	Gudgeon Pin		1
17	402 1067	Circlip Gudgeon Pin	4	4
18-20	402 1271	Piston Ass'y w/2R Rings 76.0ϕ Std P.T.O. Side	1	
20	402 1232	Rectangular Ring 76.0ϕ Std	2	
18-21-22	402 1202	Piston Ass'y W/R & L Rings 76.0ϕ Std P.T.O. Side	1	



775 FOR T'NT 775

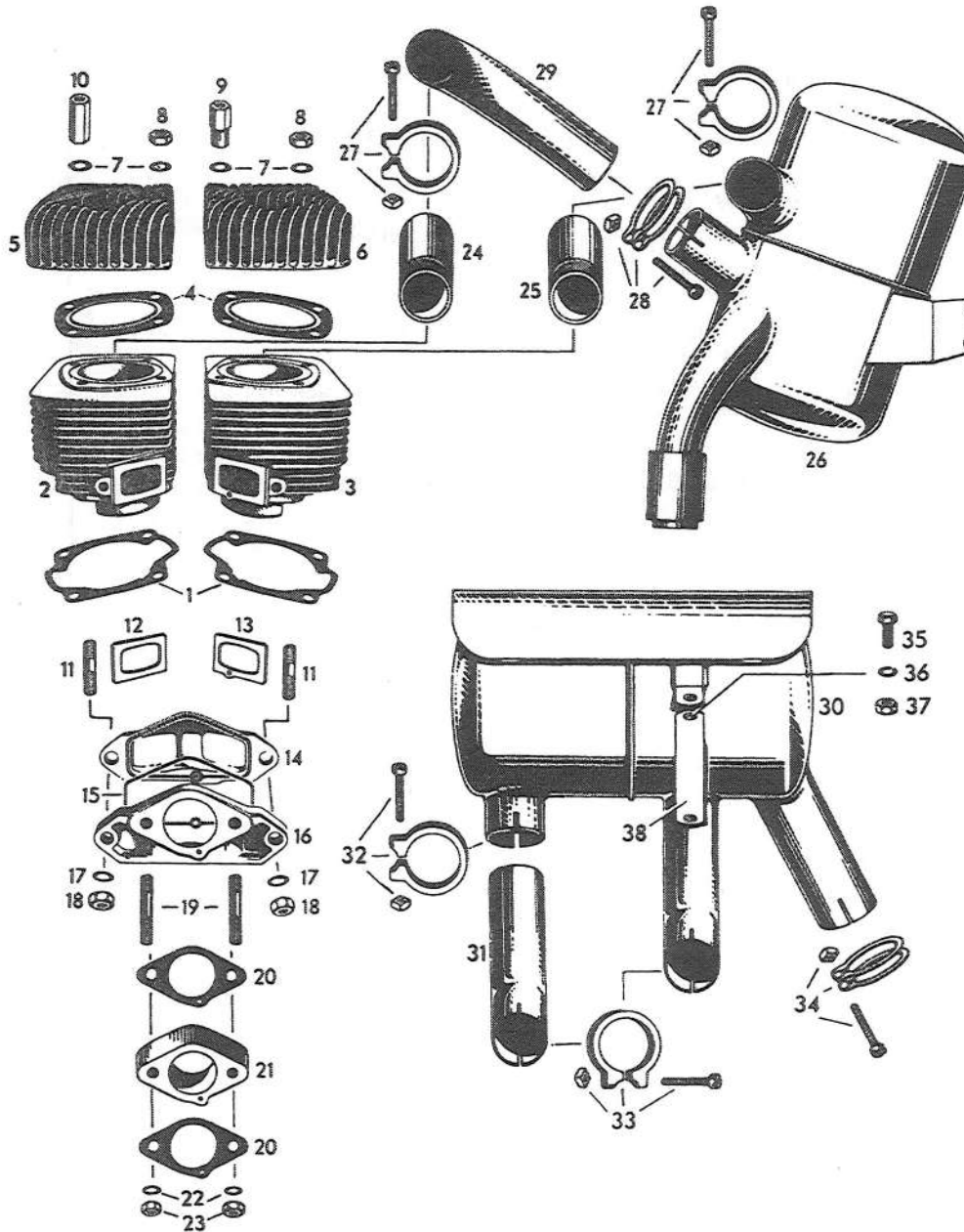
641 FOR T'NT 640

ITEM NO.	PART NO.	DESCRIPTION	QUANTITY	
			641	775
21	402 1194	Rectangular Ring 76.0 ϕ Std	1	
22	402 1192	L-Ring 76.0 ϕ Std	1	
18-21-22	402 1217	Piston Ass'y w/R & L Rings 82.0 ϕ . Std P.T.O. Side		1
21	402 1214	Rectangular Ring 82.0 ϕ Std		1
22	402 1212	L-Rings 82.0 ϕ Std		1
19-20	402 1273	Piston Ass'y W/2 R Rings 76.0 ϕ Std Magneto Side	1	
20	402 1232	Rectangular Ring 76.0 ϕ Std	2	
19-21-22	402 1204	Piston Ass'y W/L & R Rings 76.0 ϕ Std Magneto Side	1	
21	402 1194	Rectangular Ring 76.0 ϕ Std	1	
22	402 1192	L-Ring 76.0 ϕ Std	1	
19-21-22	402 1219	Piston Ass'y W/L & R Rings 82.0 ϕ Std Magneto Side		1
21	402 1214	Rectangular Ring 82.0 ϕ Std		1
22	402 1212	L-Ring 82.0 ϕ Std		1
18-20	402 1272	Piston Ass'y W/2R Rings 76.5 1st Oversize P.T.O.Side	1	
20	402 1233	Rectangular Ring 76.5 ϕ 1st Oversize	2	
18-21-22	402 1203	Piston Ass'y W/R&L Rings 76.5 ϕ 1st Oversize P.T.O.Side	1	
21	402 1195	Rectangular R Ring 76.5 ϕ 1st Oversize	1	
22	402 1193	L-Ring 76.5 ϕ 1st Oversize	1	
18-21-22	402 1218	Piston Ass'y W/R&L Ring 82.5 ϕ 1st Oversize P.T.O. Side		1
21	402 1215	Rectangular Ring 8 2.5 ϕ 1st Oversize		1
22	402 1213	L-Ring 82.5 ϕ 1st Oversize		1
19-20	402 1274	Piston Ass'y W/2R Rings 76.5 ϕ 1st Oversize Magneto Side	1	
20	402 1233	Rectangular Ring 76.5 ϕ 1st Oversize	2	
19-21-22	402 1205	Piston Ass'y W/L&R Rings 76.5 ϕ 1st Oversize Magneto Side	1	
21	402 1195	Rectangular Ring 76.5 ϕ 1st Oversize	1	
22	402 1193	L-Ring 76.5 ϕ 1st Oversize	1	
19-21-22	402 1220	Piston Ass'y W/L&R Rings 82.5 ϕ 1st Oversize Magneto Side		1
21	402 1215	Rectangular Ring 82.5 ϕ 1st Oversize		1
22	402 1213	L-Ring 82.5 ϕ 1st Oversize		1
23	402 1110	Ball Bearing 6306	1	1



CYLINDERS, INTAKE MANIFOLD, MUFFLER

401 FOR OLYMPIQUE 399 - NORDIC 399 - VALMONT 399 ALPINE 399



ITEM NO.	PART NO.	DESCRIPTION	QUANTITY
			401
1	402 2132	Gasket Cylinder Flange	2
2	402 2180	Cylinder P.T.O. Side	1
3	402 2181	Cylinder Magneto Side	1
4	402 2133	Gasket Cylinder Head	2
5	402 2320	Cylinder Head Std. P.T.O. Side Comp. Ratio 9.0	1
5	402 2318	Cylinder Head High Altitude P.T.O. Side Comp Ratio 12.0	1
6	402 2321	Cylinder Head Std. Magneto Side Comp. Ratio 9.0	1
6	402 2319	Cylinder Head High Altitude Magneto Side Comp Ratio 12.0	1
7	402 0031	Washer 8.4	8



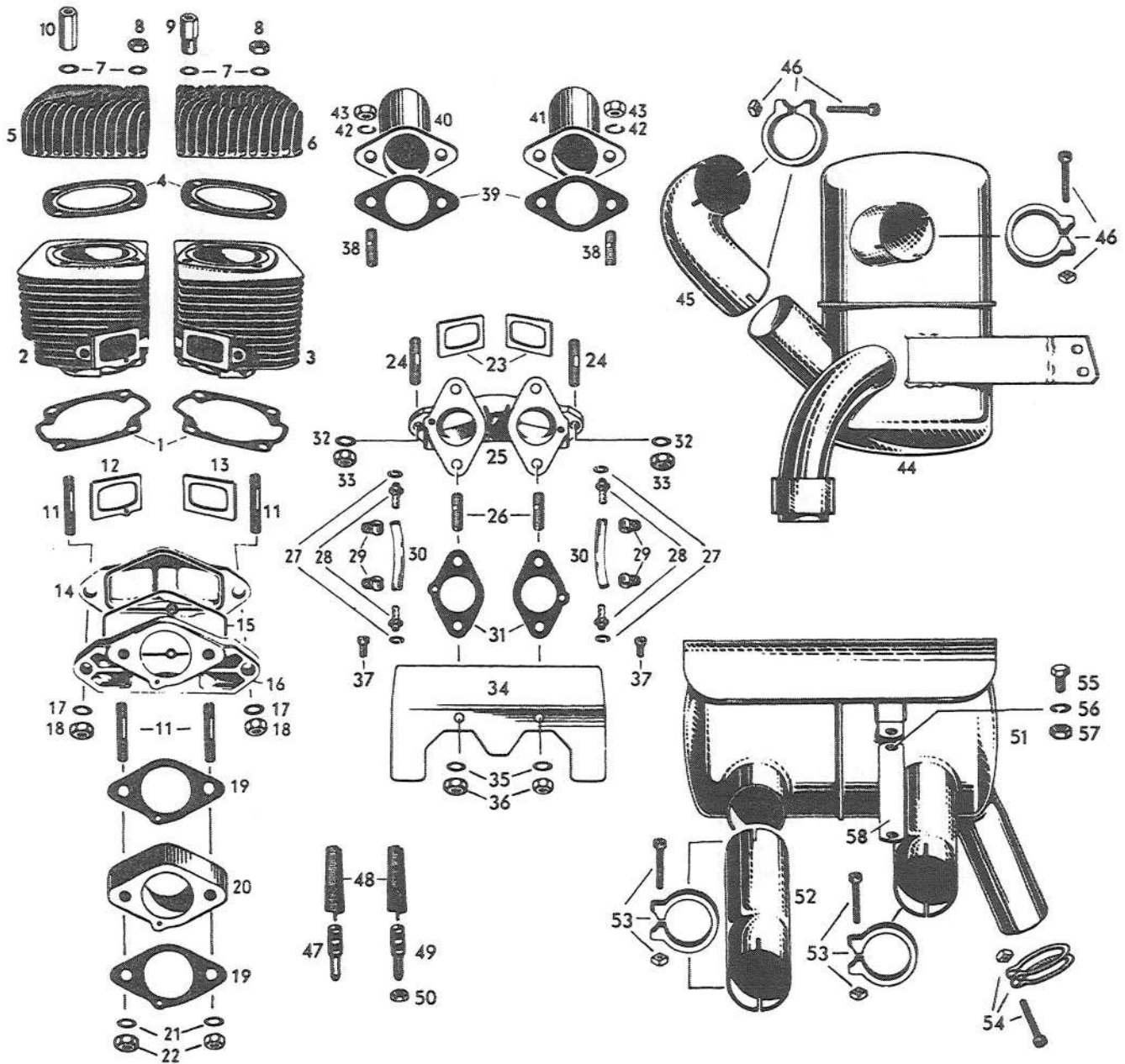
401 FOR OLYMPIQUE 399 - NORDIC 399 - VALMONT 399 - ALPINE 399

ITEM NO.	PART NO.	DESCRIPTION	QUANTITY
			401
8	402 0017	Hex Nut M8	4
9	402 2143	Distance Nut M8/5/16"	3
10	402 2144	Distance Nut M8/1/8-27NPT	1
11	402 2141	Stud M8x 34	2
12	402 2134	Intake Gasket P.T.O. Side Cylinder	1
13	402 2135	Intake Gasket, Magneto Side Cylinder	1
14	402 2148	Intake Manifold	1
15	402 2136	Ring Gasket	1
16	402 2149	Intake Cover	1
17	402 0031	Washer 8.4	2
18	402 2106	Lock Nut M8	2
19	402 0123	Stud M8 x 37 Carburetor	2
20	404 0039	Tilloston Carburetor Flange Gasket	2
21	402 2170	Isolating Flange 18.5MM Thick	1
22	402 2072	Isolating Washer	2
23	402 0018	Hex Nut M8	2
24	402 2163	Exhaust Socket 90MM P.T.O. Side	1
25	402 2164	Exhaust Socket 107MM Magneto Side	1
26	402 2246	Muffler Ass'y (Nordic)	1
26	402 2248	Muffler Ass'y (Olympique)	1
27	402 2166	Muffler Clamp 40 ϕ	2
28	402 2167	Muffler Clamp 42 ϕ	1
29	402 2247	Inlet Elbow (Nordic Olympique)	1
30	402 2290	Muffler Ass'y (Alpine)	1
31	402 2291	Inlet Tube (Alpine)	1
32	402 2167	Clamp Ass'y 42 ϕ	1
33	402 2166	Clamp Ass'y 40	2
34	414 0222	Clamp Ass'y 48 ϕ	1
35	402 2190	Hex. Screw M8 x 16 (Alpine)	1
36	402 0016	Lock Washer 8 (Alpine)	1
37	402 0017	Hex Nut M8 (Alpine)	1
38	512 0097	Muffler Bracket	1



CYLINDERS, INTAKE MANIFOLD, MUFFLER

640 FOR NORDIC 640 - VALMONT 640 - ALPINE 640
 641 FOR T'NT 640 775 FOR T'NT 775



ITEM NO.	PART NO.	DESCRIPTION	QUANTITY		
			640	641	775
1	402 2137	Gasket Cylinder Flange	2	2	
1	402 2225	Gasket Cylinder Flange			2
2	402 2127	Cylinder P.T.O. Side	1		
2	402 2202	Cylinder P.T.O. Side		1	
2	402 2221	Cylinder P.T.O. Side			1
3	402 2128	Cylinder Magneto Side	1		
3	402 2203	Cylinder Magneto Side		1	
3	402 2222	Cylinder Magneto Side			1
4	402 2101	Gasket Cylinder Head	2	2	
4	402 2226	Gasket Cylinder Head			2
5	402 2129	Cylinder Head Std. P.T.O. Side Comp. Ratio 9.0	1		



CYLINDERS, INTAKE MANIFOLD, MUFFLER

1971

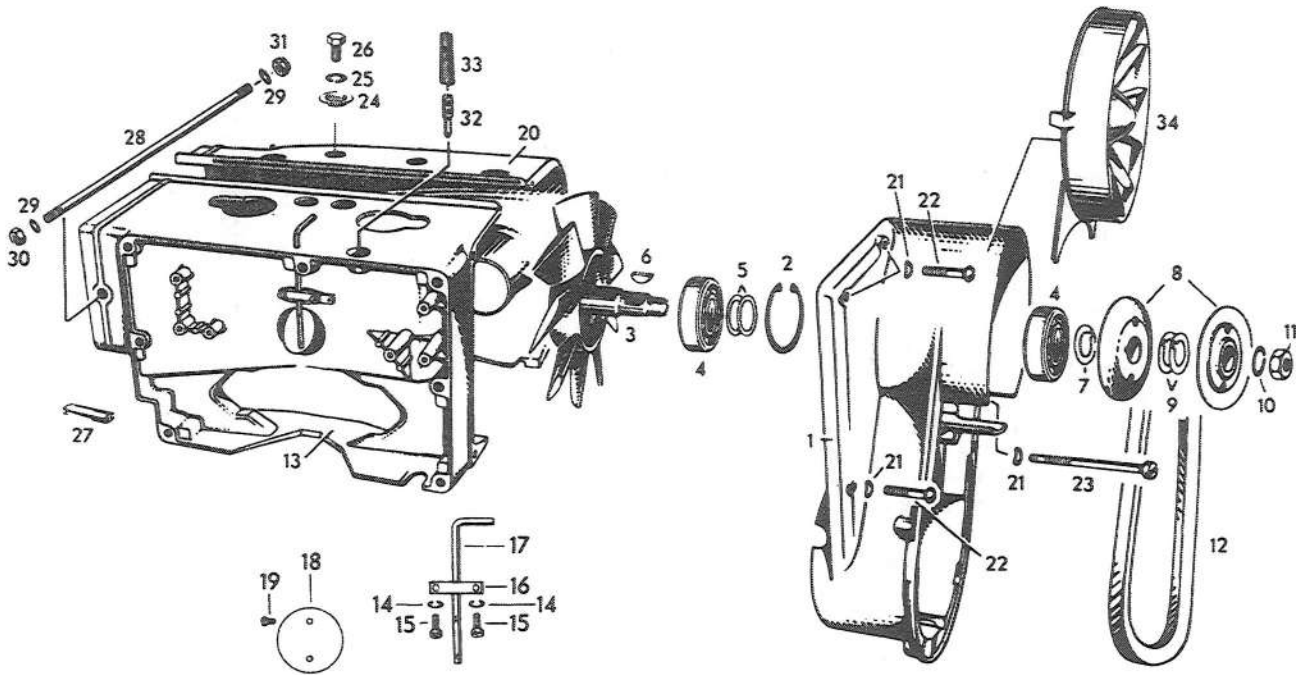
ITEM NO.	PART NO.	DESCRIPTION	QUANTITY		
			640	641	775
5	402 2314	Cylinder Head High Altitude P.T.O. Side Comp Ratio 12.0	1		
5	402 2129	Cylinder Head Std. P.T.O. Side Comp Ratio 10.0		1	
5	402 2314	Cylinder Head High Altitude P.T.O. Side Comp Ratio 14.0		1	
5	402 2223	Cylinder Head Std P.T.O. Side Comp. Ratio 10.5			1
5	402 2316	Cylinder Head High Altitude P.T.O. Side Comp Ratio 14.0			1
6	402 2130	Cylinder Head Std. Magneto Side Comp Ratio 9.0	1		
6	402 2315	Cylinder Head High Altitude Magneto Side Comp. Ratio 12.0	1		
6	402 2130	Cylinder Head Std Magneto Side Comp Ratio 10.0		1	
6	402 2315	Cylinder Head High Altitude Magneto Side Comp. Ratio 14.0		1	
6	402 2224	Cylinder Head Std. Magneto Side Comp Ratio 10.5			1
6	402 2317	Cylinder Head High Altitude Magneto Side Comp Ratio 12.0			1
7	402 0031	Washer 8.4	8	8	8
8	402 0017	Hex Nut M8	3		
8	402 0116	Hex Nut M8		4	4
9	402 2145	Distance Nut M8/5/16"	4	4	4
10	402 2146	Distance Nut M8/1/8" NPT	1		
11	402 2159	Stud M8 x 41	4	4	
12	402 2138	Intake Gasket P.T.O. Side	1	1	
13	402 2139	Intake Gasket, Magneto Side Cylinder	1	1	
14	402 2150	Intake Manifold	1	1	
15	402 2140	Ring Gasket	1	1	
16	402 2151	Intake Cover	1	1	
17	402 0031	Washer 8.4	2	2	
18	402 2106	Lock Nut M8	2	2	
19	404 0212	Carburator Flange Gasket	2	2	
20	402 2171	Isolating Flange 20MM Thick	1	1	
21	402 2072	Isolating Washer	2	2	
22	402 0018	Hex Nut M8	2	2	
23	402 2207	Intake Gasket			2
24	402 2002	Stud M8 x 25			2
25	402 2228	Double Intake Manifold			1
26	402 2037	Stud M8 x 19.5			4
27	402 0064	Isolating And Sealing Washer		2	4
28	402 0065	Joint			4
29	402 0063	Clamp Plastic Tube			4
30	402 0072	Plastic Line 120MM			2
31	404 0212	Carburator Flange Gasket			2
32	402 0031	Washer 8.4			2
33	402 2106	Lock Nut M8			2
34	402 0202	Air Baffle			1
35	402 2072	Isolating Washer			4
36	402 0018	Hex Nut M8			4
37	402 0215	Cyl. Screw M6 x 8		2	
38	402 2038	Stud M8 x 19	4	4	4
39	402 2100	Gasket Exhaust Flange	2	2	2
40	402 2113	Exhaust Socket With Flange P.T.O. Side	1	1	1
41	402 2109	Exhaust Socket With Flange Magneto Side	1	1	1
42	402 0016	Lock Washer 8	4	4	4
43	402 0017	Hex Nut M8	4	4	4
44	402 2194	Muffler Ass'y (Nordic)	1		
44	402 2284	Muffler Ass'y		1	1
45	402 2195	Inlet Elbow	1	1	1
46	414 0222	Clamp 51φ	3	3	3
47	402 0174	Adjustment Bolt		1	2
48	402 0138	Support Spring		1	3
49	402 0147	Adjustment Screw, Gas Cable			1
50	402 2053	Hex Nut M6			1
51	402 2288	Muffler Ass'y (Valmont-Alpine)	1		
52	402 2289	Inlet Tube (Valmont Alpine)	1		
53	414 0222	Clamp Ass'y 51φ	3		
54	414 0222	Clamp Ass'y 46φ	1		
55	402 2190	Hex Screw M8 x 16	1		
56	402 0016	Lock Washer 8	1		
57	402 0017	Hex Nut M8	1		
58	512 0098	Muffler Bracket (Valmont-Alpine)	1		



FAN HOUSING, CYLINDER COWLS, FAN, V-BELT

401 FOR OLYMPIQUE 399 - NORDIC 399
VALMONT 399 - ALPINE 399

640 FOR NORDIC 640 - VALMONT 640
ALPINE 640



ITEM NO.	PART NO.	DESCRIPTION	QUANTITY	
			401	640
1	402 0188	Fan Housing	1	
1	402 0158	Fan Housing		1
2	402 0118	Locking Ring	1	1
3	402 0154	Fan With Shaft Ass'y	1	
3	402 0126	Fan With Shaft Ass'y		1
4	402 0136	Ball Bearing 6204	2	2
5	402 1018	Washer	2	2
6	402 1009	Woodruff Key 3 x 5	1	1
7	402 0129	Shim	1	1
8	402 0163	Pulley Half	2	2
9	402 0129	Shim	4	4
10	402 1084	Lock Washer 14	1	1
11	402 1086	Hex Nut M14 x 1.5	1	1
12	402 0164	V-Belt	1	
12	402 0121	V-Belt		1
13	402 0183	Cylinder Cowls Right	1	
13	402 0199	Cylinder Cowls Right with Shutter		1
14	402 4024	Lock Washer 5		2
15	402 0175	Cyl. Screw M5 x 12		2
16	402 0195	Leaf Spring Air Shutter		1
17	402 0194	Shaft Air Shutter		1
18	402 0193	Air Shutter		1
19	402 2212	Cyl. Screw M3.5x 5		2
20	402 0182	Cyl. Cowl Left	1	
20	402 0190	Cyl. Cowl Left		1
21	402 0133	Spring Washer B6	4	4



FAN HOUSING, CYLINDER COWLS, FAN, V-BELT

1971

401 FOR OLYMPIQUE 399 - NORDIC 399
VALMONT 399 - ALPINE 399

640 FOR NORDIC 640 - VALMONT 640
ALPINE 640

ITEM NO.	PART NO.	DESCRIPTION	QUANTITY	
			401	640
22	402 0151	Flat Head Screw M6 x 30	3	3
23	402 2125	Cyl. Screw M6 x 80	1	1
24	402 0185	Cowl Cover	1	1
25	402 0016	Lock Washer 8	1	1
26	402 0186	Hex. Screw 5/16" x 15	1	1
27	402 0196	Profile Rubber Strap 38MM	1	1
28	402 0150	Stud M6	1	
28	402 2142	Stud M6 x 191		1
29	402 4129	Washer 6.2	2	2
30	402 2169	Locking Nut M6	1	1
31	402 2104	Lock Nut M6	1	1
32	402 0147	Adjustment Screw Gas Cable	1	
32	402 0174	Adjustment Bolt		1
33	402 0138	Support Spring Gas Cable	1	1
34	402 0181	Fan Cover	1	
34	402 0187	Fan Cover		1
35	402 2053	Hex Nut M6	1	



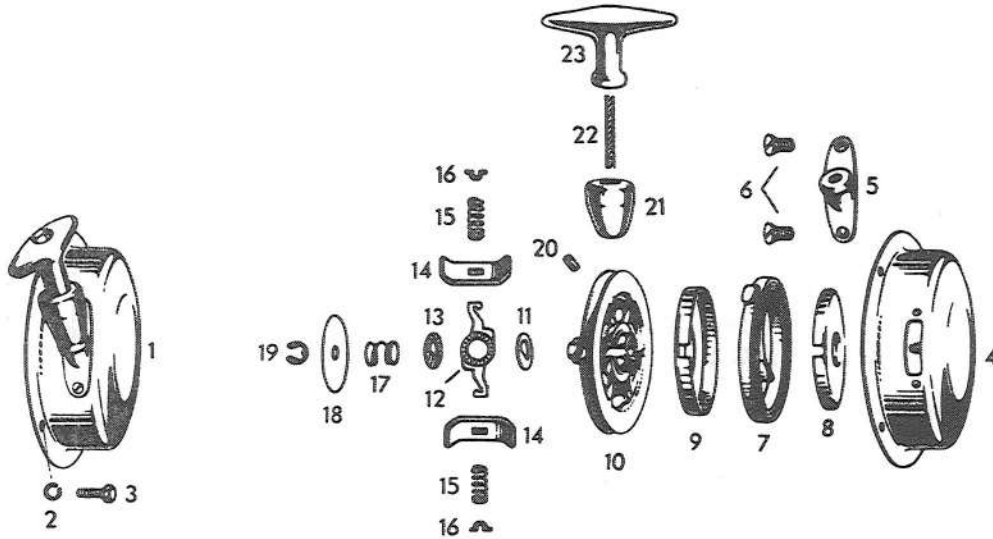
REWIND STARTER

401 FOR OLYMPIQUE 399 NORDIC 399 - VALMONT 399 - ALPINE 399

640 FOR NORDIC 640 - VALMONT 640 ALPINE 640

641 FOR T'NT 640

775 FOR T'NT 775



ITEM NO.	PART NO.	DESCRIPTION	QUANTITY		
			401	640	641 775
1	402 5046	Rewind Starter Ass'y			1
2	402 0015	Lock Washer 6			4
3	402 5011	Hex Screw M6 x 15			4
4	402 7058	Starter Housing			1
5	402 5036	Starter Stop			1
6	402 5037	Countersunk Screw M5 x 8			2
7-8-9	402 5023	Spring Cartridge Ass'y			1
7	402 5022	Rewind Spring			1
8	402 5038	Spring Guide			1
9	402 5044	Cover Spring Guide			1
10	402 5047	Rope Sheave			1
11	402 5026	D-Washer			1
12	402 5028	Pivot Arm			1
13	402 5027	Friction Washer			1
14	402 5029	Pawl			2
15	402 5030	Pawl Spring			2
16	402 5031	Pawl Spring Stop			2
17	402 5032	Friction Spring			1
18	402 5033	Cover Washer			1
19	402 5034	Circlip			1
20	402 5016	Bolt 5 x 6, Starter Rope			1
21	402 5039	Rubber Buffer			1
22	402 5018	Starter Rope 1300 mm			1
23	402 5019	Starter Grip			1

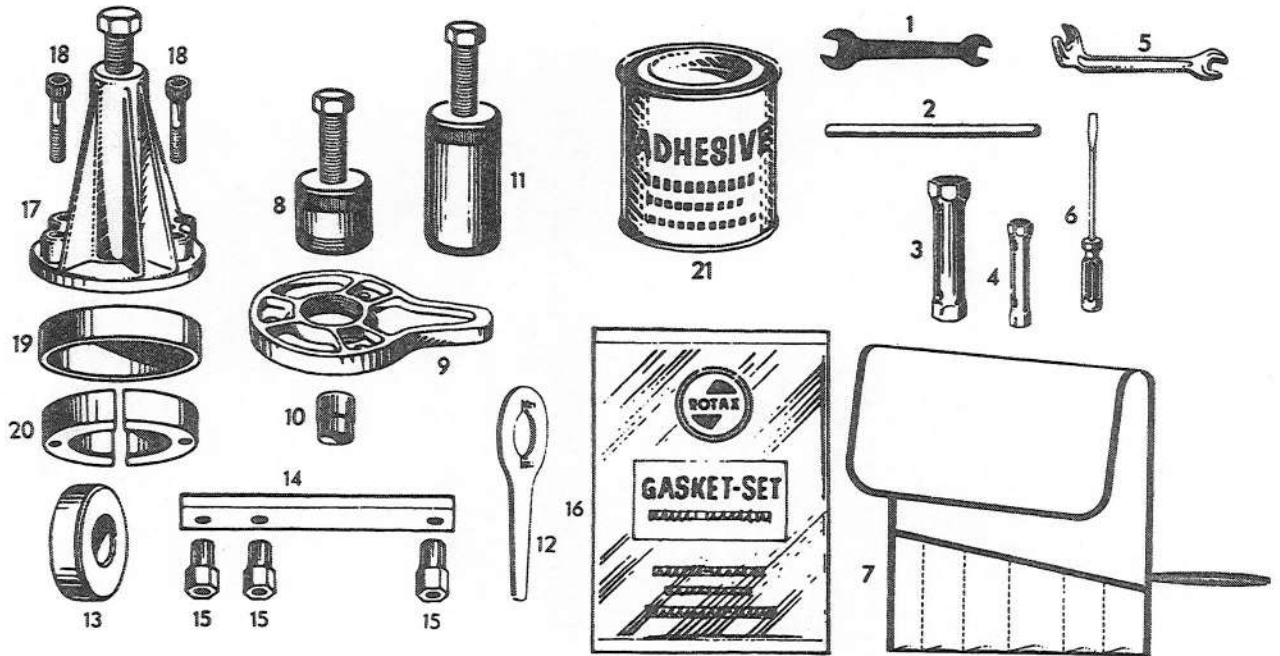


401 FOR OLYMPIQUE 399 - NORDIC 399 - VALMONT 399 - ALPINE 399

640 FOR NORDIC 640 - VALMONT 640 - ALPINE 640

641 FOR T'NT 640

775 FOR T'NT 775



ITEM NO.	PART NO.	DESCRIPTION	QUANTITY			
			401	640	641	775
1-2-3-4-5-6-7	402 8063	Tool Bag With Tools Ass'y	1	1	1	1
1	402 8062	Fork Wrench 11/13mm	1	1	1	1
2	402 8039	Bolt 8 x 130, Socket Wrench	1	1	1	1
3	402 8060	Socket Wrench 21/26 mm	1	1	1	1
4	402 8059	Socket Wrench 11/13mm	1	1	1	1
5	402 8049	Angular Wrench 10/13mm	1	1	1	1
6	402 8061	Screw Driver	1	1	1	1
7	402 8058	Tool Bag	1	1	1	1
8	402 8044	Puller Ass'y Flywheel	1	1	1	1
9	402 8045	Wrench Hold Magneto Housing	1	1	1	1
10	402 8005	Protection Cap 18mm	1	1	1	1
11	402 8055	Puller Ass'y Starter Gear	1	1		
12	402 8053	Wrench to Hold Pulley Halves	1	1	1	1
13	402 1207	Crankshaft Ring	1			
13	402 1208	Crankshaft Ring		1	1	1
14	402 8057	Cylinder Aligning Tool	1	1	1	1
15	402 8056	Nut M8 Cylinder Aligning Tool	3	3	3	3
16	402 9013	Gasket Set Ass'y	1			
16	402 9023	Gasket Set Ass'y		1	1	
16	402 9024	Gasket Set Ass'y				1
17	402 8065	Puller	1	1	1	1
18	402 2287	Cyl. Screw W. Int. Hex M8 x 40 For Puller	2	2	2	2
19	402 8070	Ring For Puller	1			
19	402 8071	Ring For Puller		1	1	1
20	402 8068	Ring Half For Ball Bearing	2			
20	402 8069	Ring Half For Ball Bearing		2	2	2
21	402 9015	Icarplast L700 Can	1	1	1	1





ENGINE ROTAX 71

SECTION 2-2

TYPE

MODEL

435

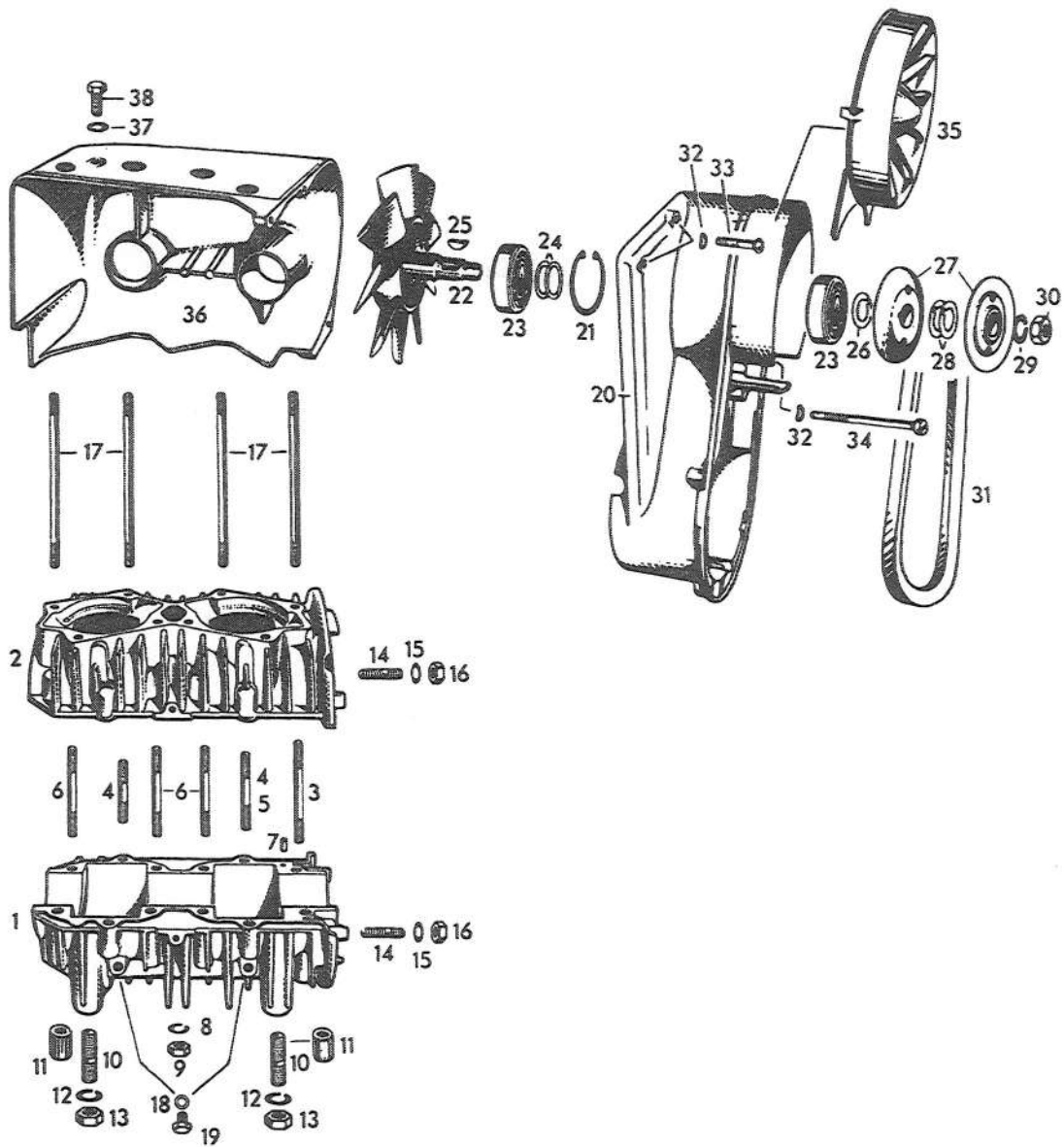
T'NT 440

Part No.	Description	QTY	Notes
10000000	CRANKCASE	1	
10000001	CRANKCASE COVER	1	
10000002	CRANKCASE COVER GASKET	1	
10000003	CRANKCASE COVER SCREW	4	
10000004	CRANKCASE COVER SCREW WASHER	4	
10000005	CRANKCASE COVER SCREW LOCKWASHER	4	
10000006	CRANKCASE COVER SCREW LOCKWASHER WASHER	4	
10000007	CRANKCASE COVER SCREW LOCKWASHER WASHER LOCKWASHER	4	
10000008	CRANKCASE COVER SCREW LOCKWASHER WASHER LOCKWASHER WASHER	4	
10000009	CRANKCASE COVER SCREW LOCKWASHER WASHER LOCKWASHER WASHER WASHER	4	
10000010	CRANKCASE COVER SCREW LOCKWASHER WASHER LOCKWASHER WASHER WASHER WASHER	4	



CRANKCASE, FAN HOUSING, V-BELT

435 FOR T'NT 440



ITEM NO.	PART NO.	DESCRIPTION	QUANTITY
			435
1-2-3-4-5-6-7	402 0226	Crankcase Ass'y	1
3	402 0010	Stud M8 x 65	2
4	402 0123	Stud M8 x 37	3
5	402 0009	Stud M8 x 46	1
6	402 0007	Stud M8 x 56	6
7	402 0161	Dowel Pin 5 φ x 10	1
8	402 0016	Lock Washer 8	12
9	402 0018	Hex Nut M8	12
10	402 0227	Stud M12 x 32	4
11	402 0223	Distance Sleeve 12MM	4
12	402 1038	Lock Washer 12	4
13	402 0117	Hex Nut M12	4



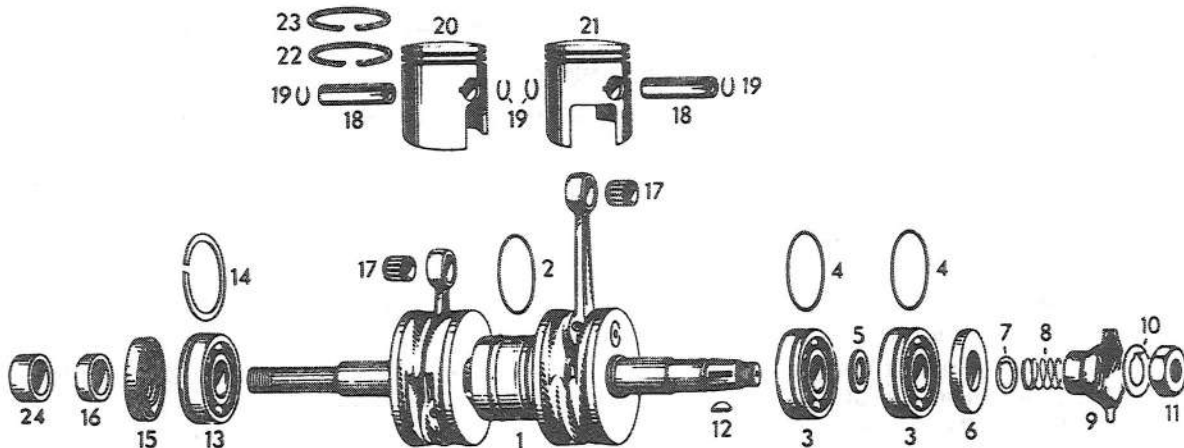
CRANKCASE, FAN HOUSING, V-BELT

1971

435 FOR T'NT 440

ITEM NO.	PART NO.	DESCRIPTION	QUANTITY
			435
14	402 0115	Stud M8 x 16	4
15	402 1158	Locking Washer 8	4
16	402 0134	Hex Nut M8	4
17	402 0229	Stud M8 Cylinder	8
18	402 0019	Sealing Ring	2
19	402 0020	Oil Drain Screw M8 x 9	2
20	402 0188	Fan Housing	1
21	402 0118	Locking Ring	1
22	402 0154	Fan W/Shaft Ass'y	1
23	402 0136	Ball Bearing 6204	2
24	402 1018	Shim 1.0MM	2
25	402 1009	Woodruff Key 3 x 5	1
26	402 0129	Shim	1
27	402 0163	Pulley Half	2
28	402 0129	Shim	4
29	402 1084	Lock Washer 14	1
30	402 1086	Hex Nut M14 x 1.5	1
31	402 0164	V-Belt	1
32	402 0133	Spring Washer B6	3
33	402 0151	Flat Head Screw M6 x 30	2
34	402 2125	Cyl. Screw M6 x 80	1
35	402 0181	Fan Cover	1
36	402 0230	Fan Cowl	1
37	402 0031	Washer 8.4	1
38	402 0231	Hex Screw M8 x 25	1





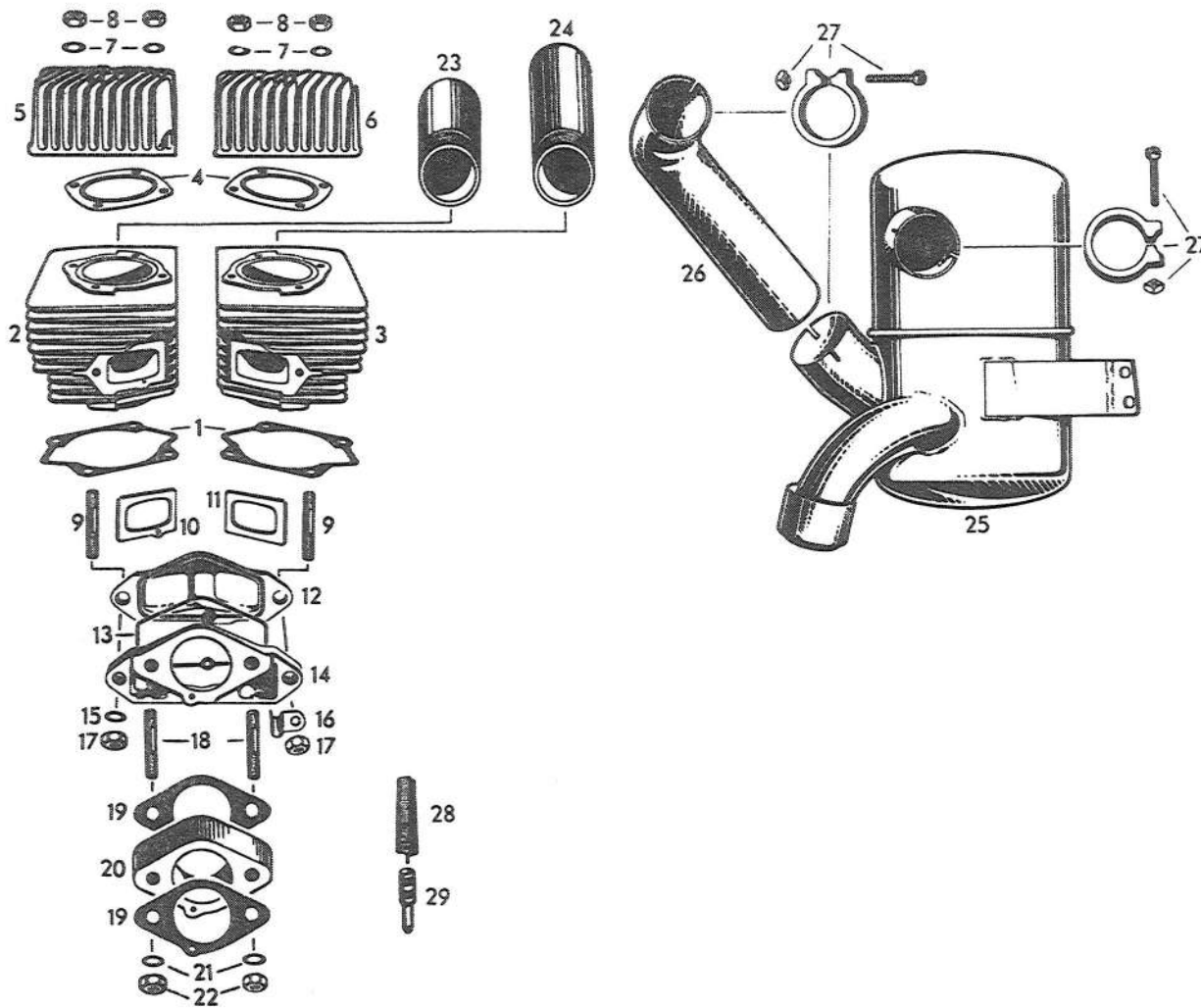
ITEM NO.	PART NO.	DESCRIPTION	QUANTITY
			435
1-2	402 1289	Crankshaft Ass'y	1
2	402 1137	O-Ring	2
3	402 1142	Ball Bearing 6305	2
4	402 1137	O-Ring	2
5	402 1290	Distance Ring 3MM	1
6	402 1291	Oil Seal	1
7	402 1035	Washer, Cam Spring	1
8	402 1036	Spring Breaker Cam	1
9	402 1156	Breaker Cam	1
10	402 1040	Lock Washer	1
11	402 1043	Hex Nut M18 x 1.5	1
12	402 1010	Woodruff Key 5 x 6.5	1
13-14	402 1292	Ball Bearing 6305	1
14	402 1293	Groove Ring	1
15	402 1138	Oil Seal	1
16	402 1294	Distance Sleeve 16MM	1
17	402 1033	Needle Cage	2
18	402 1080	Gudgeon Pin	2
19	402 1067	Circlip Gudgeon Pin	4
20-22-23	402 1295	Piston Ass'y w/R & L Ring 67.5 ϕ Std P.T.O. Side	1
22	402 1299	R-Ring 67.5 ϕ Std	1
23	402 1229	L-Ring 67.5 ϕ STD	1
21-22-23	402 1297	Piston Ass'y W/R & L Ring 67.5 ϕ Std Magneto Side	1
22	402 1299	R-Ring 67.5 ϕ Std	1
23	402 1229	L-Ring 67.5 ϕ Std	1
20-22-23	402 1296	Piston Ass'y W/R & L-Ring 68.0 ϕ 1st Oversize P.T.O. Side	1
22	402 1300	R-Ring 68.0 ϕ 1st Oversize	1
23	402 1288	L-Ring 68.0 ϕ 1st Oversize	1
21-22-23	402 1298	Piston Ass'y W/R & L Ring 68.0 ϕ Oversize Magneto Side	1
22	402 1300	R-Ring 68.0 ϕ 1st Oversize	1
23	402 1288	L-Ring 68.0 ϕ 1ST Oversize	1
24	402 1120	Distance Sleeve 21MM	1





ITEM NO.	DESCRIPTION	QTY	UNIT
1	HOUSING	1	EA
2	SHAFT	1	EA
3	IMPELLER	1	EA
4	IMPELLER NUT	1	EA
5	IMPELLER WASHER	1	EA
6	IMPELLER LOCKWASHER	1	EA
7	IMPELLER LOCKWASHER	1	EA
8	IMPELLER LOCKWASHER	1	EA
9	IMPELLER LOCKWASHER	1	EA
10	IMPELLER LOCKWASHER	1	EA
11	IMPELLER LOCKWASHER	1	EA
12	IMPELLER LOCKWASHER	1	EA
13	IMPELLER LOCKWASHER	1	EA
14	IMPELLER LOCKWASHER	1	EA
15	IMPELLER LOCKWASHER	1	EA
16	IMPELLER LOCKWASHER	1	EA
17	IMPELLER LOCKWASHER	1	EA
18	IMPELLER LOCKWASHER	1	EA
19	IMPELLER LOCKWASHER	1	EA
20	IMPELLER LOCKWASHER	1	EA





ITEM NO.	PART NO.	DESCRIPTION	QUANTITY
			435
1	402 2352	Gasket, Cylinder Flange	2
2	402 2353	Cylinder P.T.O. Side	1
3	402 2354	Cylinder, Magneto Side	1
4	402 2326	Gasket, Cylinder Head	2
5	402 2322	Cylinder Head, P.T.O. Side	1
5	402 2323	Cylinder Head High Altitude P.T.O. Side Comp. Ratio 14.0	1
6	402 2324	Cylinder Head, Magneto Side	1
6	402 2325	Cylinder Head High Altitude Magneto Side Comp. Ratio 14.0	1
7	402 0031	Washer 8.4	8
8	402 0018	Hex Nut M8	8
9	402 2159	Stud M8 x 41	2
10	402 2138	Intake Gasket, P.T.O. Side Cylinder	1
11	402 2139	Intake Gasket, Magneto Side Cylinder	1
12	402 2150	Intake Manifold	1



CYLINDERS, INTAKE MANIFOLD

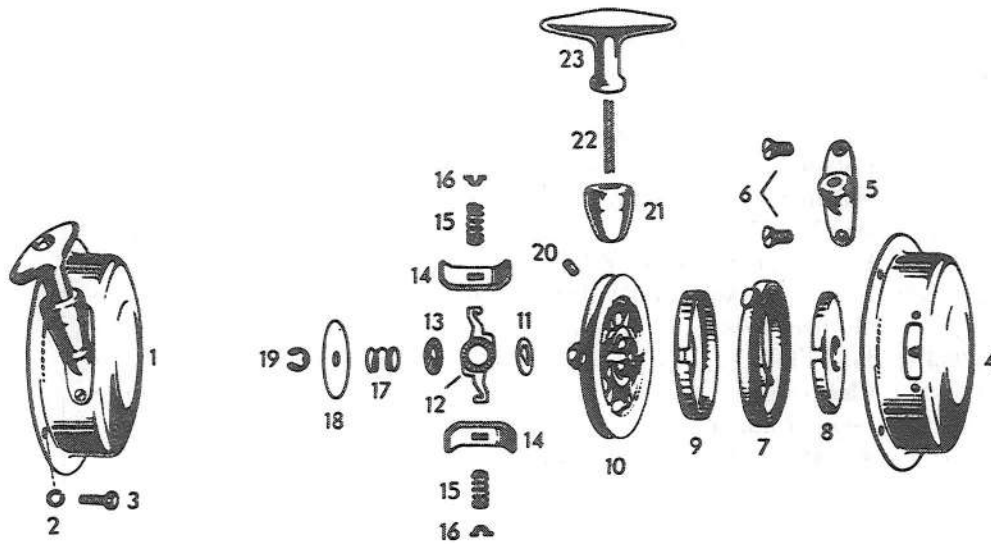
1971

ITEM NO.	PART NO.	DESCRIPTION	QUANTITY
			435
13	402 2140	Ring Gasket	1
14	402 2151	Intake Cover	1
15	402 0031	Washer 8.4	1
16	402 4288	Ignition Cable Bracket	1
17	402 2106	Lock Nut M8	2
18	402 2159	Stud M8 x 41	2
19	404 0212	Carburetor Flange Gasket	2
20	402 2171	Isolating Flange 20MM Thick	1
21	402 2072	Isolating Washer	2
22	402 0018	Hex Nut M8	2
23	402 2355	Exhaust Socket 87MM P.T.O. Side	1
24	402 2356	Exhaust Socket 121MM Magneto Side	1
25	402 2327	Muffler Ass'y	1
26	402 2357	Inlet Elbow	1
27	414 0222	Clamp Ass'y	3
28	402 0138	Support Spring	1
29	402 0174	Adjustment Bolt	1



REWIND STARTER

435 FOR T'NT 440



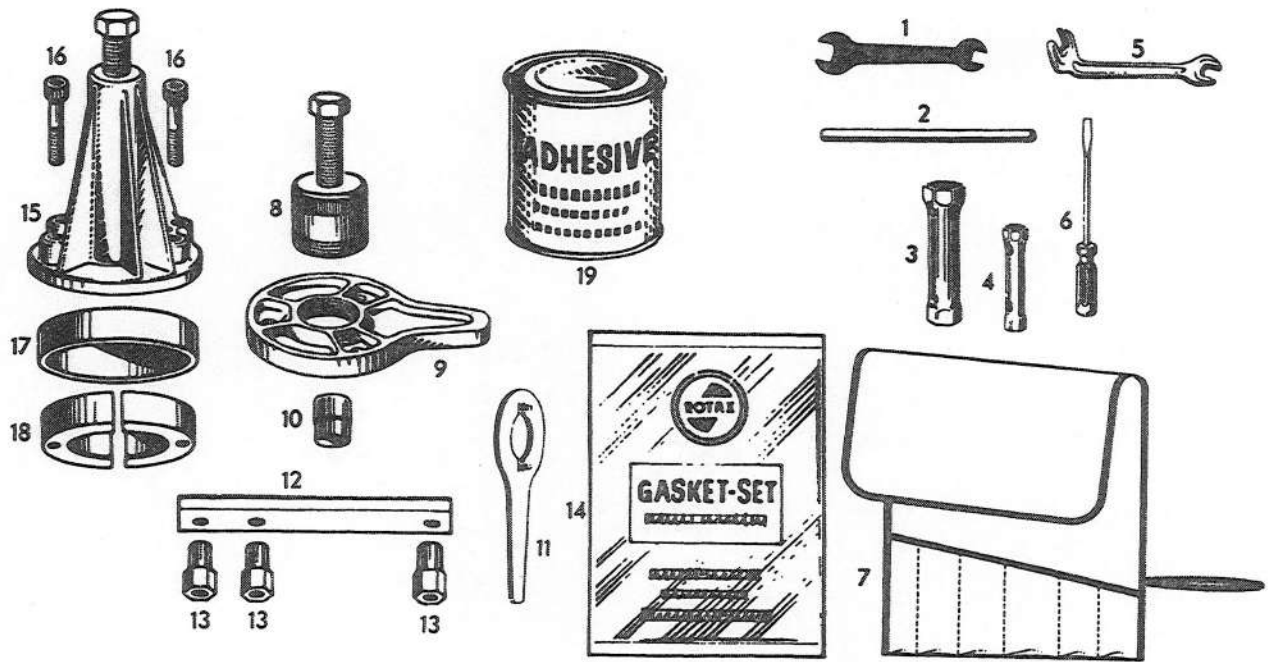
ITEM NO.	PART NO.	DESCRIPTION	QUANTITY
			435
1	402 5046	Rewind Starter Ass'y	1
2	402 0015	Lock Washer 6	4
3	402 5011	Hex Screw M6 x 15	4
4	402 7058	Starter Housing	1
5	402 5036	Starter Stop	1
6	402 5037	Countersunk Screw M5 x 8	2
7-8	402 5023	Spring Cartridge Ass'y	1
7	402 5022	Rewind Spring	1
8	402 5038	Spring Guide	1
9	402 5044	Cover, Spring Guide	1
10	402 5047	Rope Sheave	1
11	402 5026	D-Washer	1
12	402 5028	Pivot Arm	1
13	402 5027	Friction Washer	1
14	402 5029	Pawl	2
15	402 5030	Pawl Spring	2
16	402 5031	Pawl Spring Stop	2
17	402 5032	Friction Spring	1
18	402 5033	Cover Washer	1
19	402 5034	Circlip	1
20	402 5016	Bolt 5 x 6 Starter Rope	1
21	402 5039	Rubber Buffer	1
22	402 5018	Starter Rope 1300MM	1
23	402 5019	Starter Grip	1



REPAIR TOOLS & GASKET SET

1971

435 FOR T'NT 440



ITEM NO.	PART NO.	DESCRIPTION	QUANTITY
1-2-3-4-5-6-7	402 8063	Tool Bag With Tools Ass'y	1
1	402 8062	Fork Wrench 11/13 MM	1
2	402 8039	Bolt 8 x 130 Socket Wrench	1
3	402 8060	Socket Wrench 21/21MM	1
4	402 8059	Socket Wrench 11/13MM	1
5	402 8049	Angular Wrench 10/13MM	1
6	402 8061	Screw Driver	1
7	402 8058	Tool Bag	1
8	402 8044	Puller Ass'y Flywheel	1
9	402 8045	Wrench To Hold Magneto Housing	1
10	402 8005	Protection Cap 18MM	1
11	402 8053	Wrench To Hold Pulley Halves	1
12	402 8057	Cylinder Aligning Tool	1
13	402 8056	Nut M8 Cylinder Aligning Tool	3
14	402 8073	Gasket Set Ass'y	1
15	402 8065	Puller	1
16	402 2287	Cyl. Screw w/int. Hex M8 x 40 For Puller	2
17	402 8070	Ring For Puller	1
18	402 8068	Ring Half For Ball Bearing	2
19	402 9015	Isar Plast L700 Can	1





ENGINE ROTAX 71

SECTION 2-2

TYPE	MODEL	
246	FOR BLIZZARD 250	1 CYLINDER
291	FOR BLIZZARD 291	1 CYLINDER
336	FOR BLIZZARD 336	1 CYLINDER
397	FOR BLIZZARD 397	2 CYLINDER
437	FOR BLIZZARD 437	2 CYLINDER

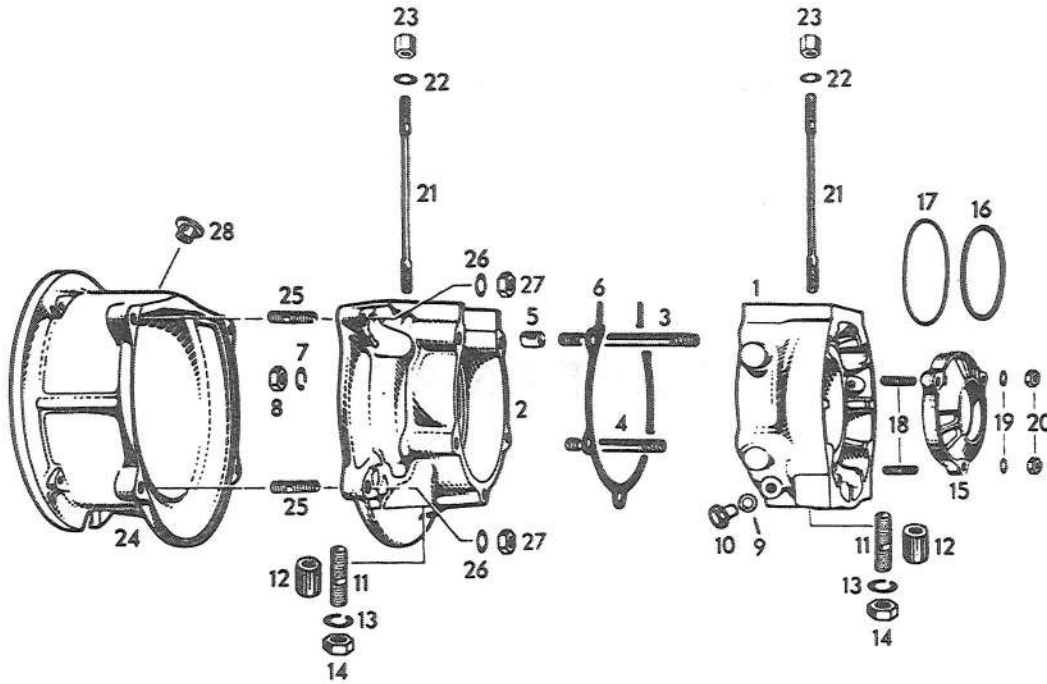


CRANKCASE, IGNITION HOUSING

246 FOR BLIZZARD 246

291 FOR BLIZZARD 291

336 FOR BLIZZARD 336



ITEM NO.	PART NO.	DESCRIPTION	QUANTITY		
			246	291	336
1-2-3-4-5	402 0224	Crankcase Ass'y	1	1	1
3	402 0007	Stud M8 x 56	2	2	2
4	402 0009	Stud M8 x 46	3	3	3
5	402 1015	Dowel Tube 10φ x 15	2	2	2
6	402 0014	Gasket, Crankcase	1	1	1
7	402 0016	Lock Washer 8	5	5	5
8	402 0018	Hex Nut M8	5	5	5
9	402 0019	Sealing Ring	1	1	1
10	402 0020	Hex Screw M8 x 9 Oil Drain	1	1	1
11	402 0023	Stud M10 X 42	4	4	4
12	402 0091	Distance Sleeve	4	4	4
13	402 0025	Lock Washer 10	4	4	4
14	402 0026	Hex Nut M10	4	4	4
15-16-17	402 0207	Bearing Cover W O-Rings	1	1	1
16	402 0112	O-Ring	1	1	1
17	402 0208	O-Ring	1	1	1
18	402 0047	Stud M6 x 18	3	3	3
19	402 0015	Lock Washer 6	3	3	3
20	402 2053	Hex Nut M6	3	3	3
21	402 0209	Stud M8	4	4	4
22	402 0031	Washer 8.4	4	4	4
23	402 2242	Hex Nut M8	4	4	4
24	402 0210	Ignition Housing	1	1	1
25	402 0030	Stud M 8 x 21.5	4	4	4
26	402 0016	Lock Washer 8	4	4	4
27	402 0018	Hex. Nut M8	4	4	4
28	402 5024	Plug	1	1	1

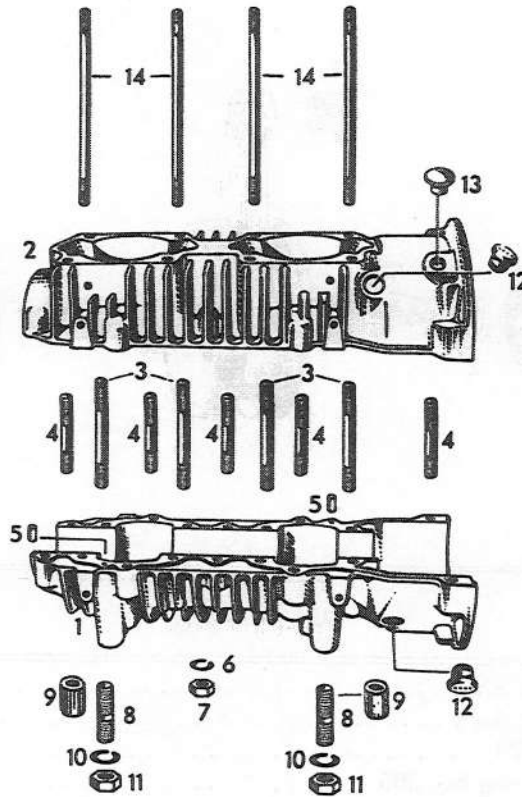


CRANKCASE

1971

397 FOR BLIZZARD 397

437 FOR BLIZZARD 437



ITEM NO.	PART NO.	DESCRIPTION	QUANTITY	
			397	437
1-2-3-4-5	402 0225	Crankcase Ass'y	1	1
3	402 0007	Stud M 8 x 56	8	8
4	402 0123	Stud M8 x 37	10	10
5	402 0161	Dowel Pin 5 ϕ x 10	2	2
6	402 0016	Lock Washer 8	18	18
7	402 0018	Hex Nut M8	18	18
8	402 0113	Stud M12 x 42.5	4	4
9	402 0025	Distance Sleeve 22MM	4	4
10	402 1038	Lock Washer 12	4	4
11	402 0117	Hex Nut M12	4	4
12	402 4122	Cable Grommet	2	2
13	402 5024	Plug	1	1
14	402 2241	Stud M8, Cylinder	8	8

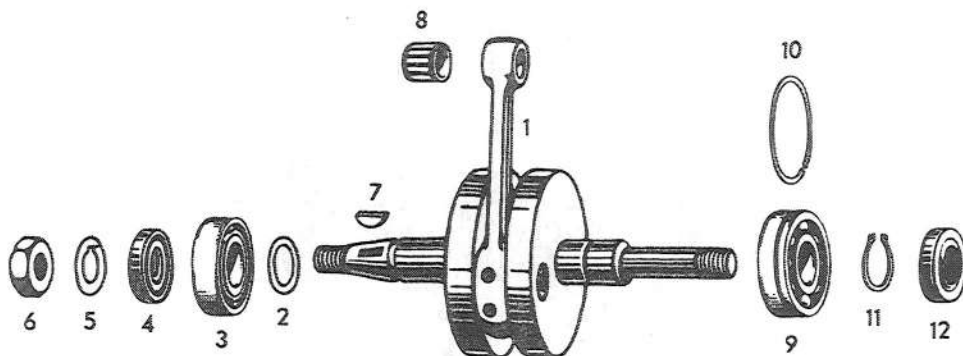


CRANKSHAFT, BEARING

246 FOR BLIZZARD 246

291 FOR BLIZZARD 291

336 FOR BLIZZARD 336



ITEM NO.	PART NO.	DESCRIPTION	QUANTITY		
			246	291	336
1	402 1255	Crankshaft Ass'y	1	1	
1	402 1256	Crankshaft Ass'y			1
2	402 1026	Shim 1.0MM	1	1	1
3	402 1257	Roller Bearing No. 305	1	1	1
4	402 1260	Oil Seal	1	1	1
5	402 1040	Lock Washer	1	1	1
6	402 1043	Hex. Nut M18 x 1.5	1	1	1
7	402 1010	Woodruff Key 5 x 6.5	1	1	1
8	402 1033	Needle Cage	1	1	1
9-10	402 1263	Ball Bearing 6306	1	1	1
10	402 1105	Groove Ring	1	1	1
10	402 1041	Lock Ring	1	1	1
12	402 1003	Oil Seal	1	1	1

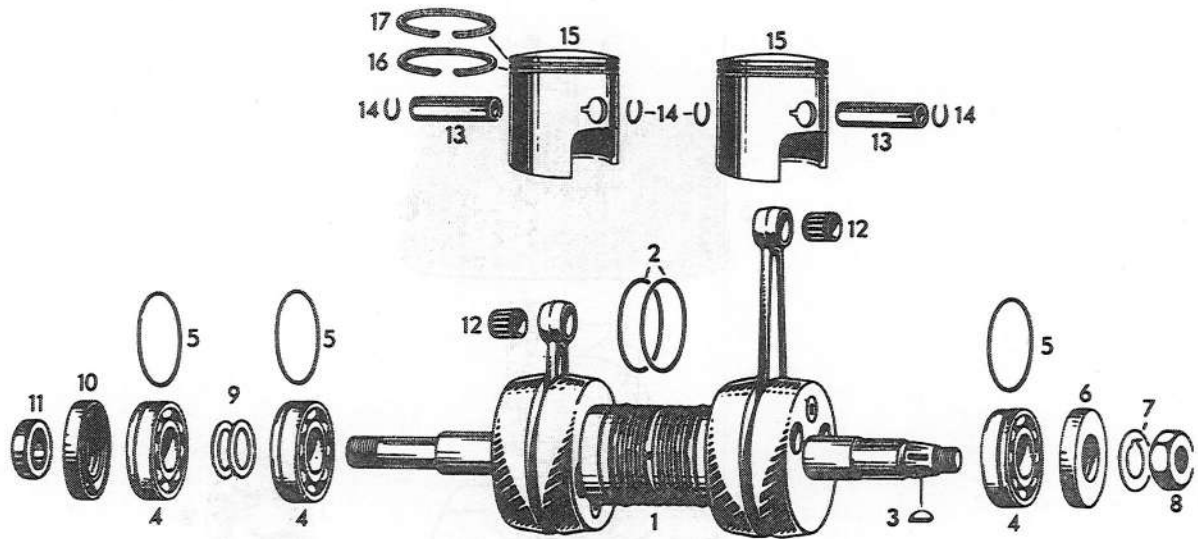


CRANKSHAFT, BEARING, PISTON

1971

397 FOR BLIZZARD 397

437 FOR BLIZZRAD 437



ITEM NO.	PART NO.	DESCRIPTION	QUANTITY	
			397	437
1-2	402 1244	Crankshaft Ass'y	1	1
2	402 1137	O-Ring	2	2
3	402 1010	Woodruff Key 5 x 6.5	1	1
4	402 1142	Ball Bearing 6305	3	3
5	402 1137	O-Ring	3	3
6	402 1136	Oil Seal	1	1
7	402 1040	Lock Washer	1	1
8	402 1043	Hex Nut M18 x 1.5	1	1
9	402 1026	Shim 1MM	2	2
10	402 1138	Oil Seal	1	1
11	402 2339	Distance Sleeve	1	1
12	402 1033	Needle Cage	2	2
13	402 1280	Gudgeon Pin	2	
13	402 1080	Gudgeon Pin		2
14	402 1067	Circlip Gudgeon Pin	4	4
15-16-17	402 2302	Piston Ass'y W/R & L Rings 64.5 ϕ Std	2	
16	402 1283	R-Ring 64.5 ϕ Std	2	
17	402 1286	L-Ring 64.5 ϕ Std	2	
15-16-17	402 1303	Piston Ass'y w/r & L Rings 67.5 ϕ Std		2
16	402 1231	R-Ring 67.5 ϕ Std		2
17	402 1229	L-Ring 67.5 ϕ Std		2
15-16-17	402 1281	Piston Ass'y W/R & L Rings 65.0 ϕ 1st Oversize	2	
16	402 1284	R-Ring 65.0 ϕ 1st Oversize	2	
17	402 1287	L-Ring 65.0 ϕ 1st Oversize	2	
15-16-17	402 1282	Piston Ass'y W/R & L Rings 68.0 ϕ 1st Oversize		2
16	402 1285	R-Ring 68.0 ϕ 1st Oversize		2
17	402 1288	L-Ring 68.0 ϕ 1st Oversize		2



Cat. No. 480 1016.



March 1970.

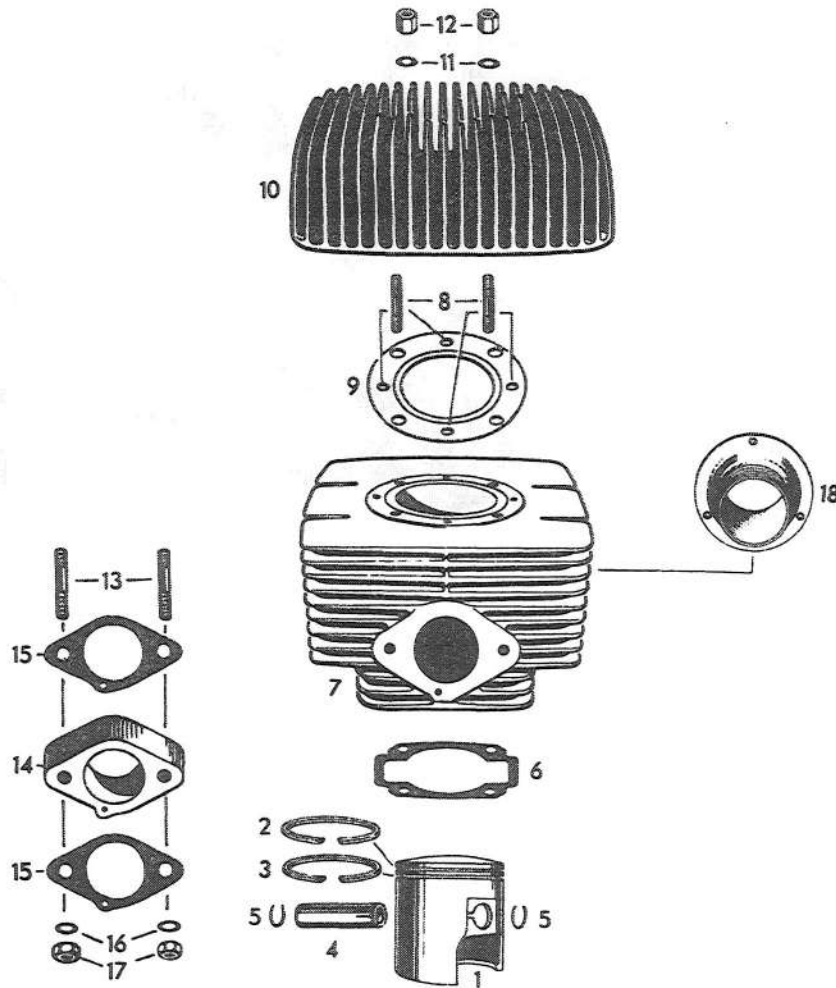
SECTION 2-2- PAGE 49

CYLINDER PISTON

246 FOR BLIZZARD 246

291 FOR BLIZZARD 291

336 FOR BLIZZARD 336



ITEM NO.	PART NO.	DESCRIPTION	QUANTITY		
			246	291	336
1-2-3	402 2257	Piston Ass. W/R & L Rings 69.0ϕ Std.	1		
2	402 2264	L-Ring 69.0ϕ Std.	1		
3	402 2271	R-Ring 69.0ϕ Std.	1		
1-2-3	402 2259	Piston Ass. W/L & R Rings 75.0ϕ Std.		1	
2	402 2266	L-Ring 75.0ϕ Std.		1	
3	402 2273	R-Ring 75.0ϕ Std.		1	
1-2-3	402 2262	Piston Ass. W/L & R Rings 78.5ϕ Std.			1
2	402 2269	L-Ring 78.5ϕ Std.			1
3	402 1179	R-Ring 78.5ϕ Std.			1
1-2-3	402 2258	Piston Ass. W/L & R Rings 69.5ϕ 1st Oversize	1		
2	402 2265	L-Ring 69.5ϕ 1st Oversize	1		
3	402 2272	R-Ring 69.5ϕ 1st Oversize	1		
1-2-3	402 2260	Piston Ass. W/L & R Rings 75.5ϕ 1st Oversize		1	
2	402 2267	L-Ring 75.5ϕ 1st Oversize		1	
3	402 2274	R-Ring 75.5ϕ 1st Oversize		1	



CYLINDER - PISTON

1971

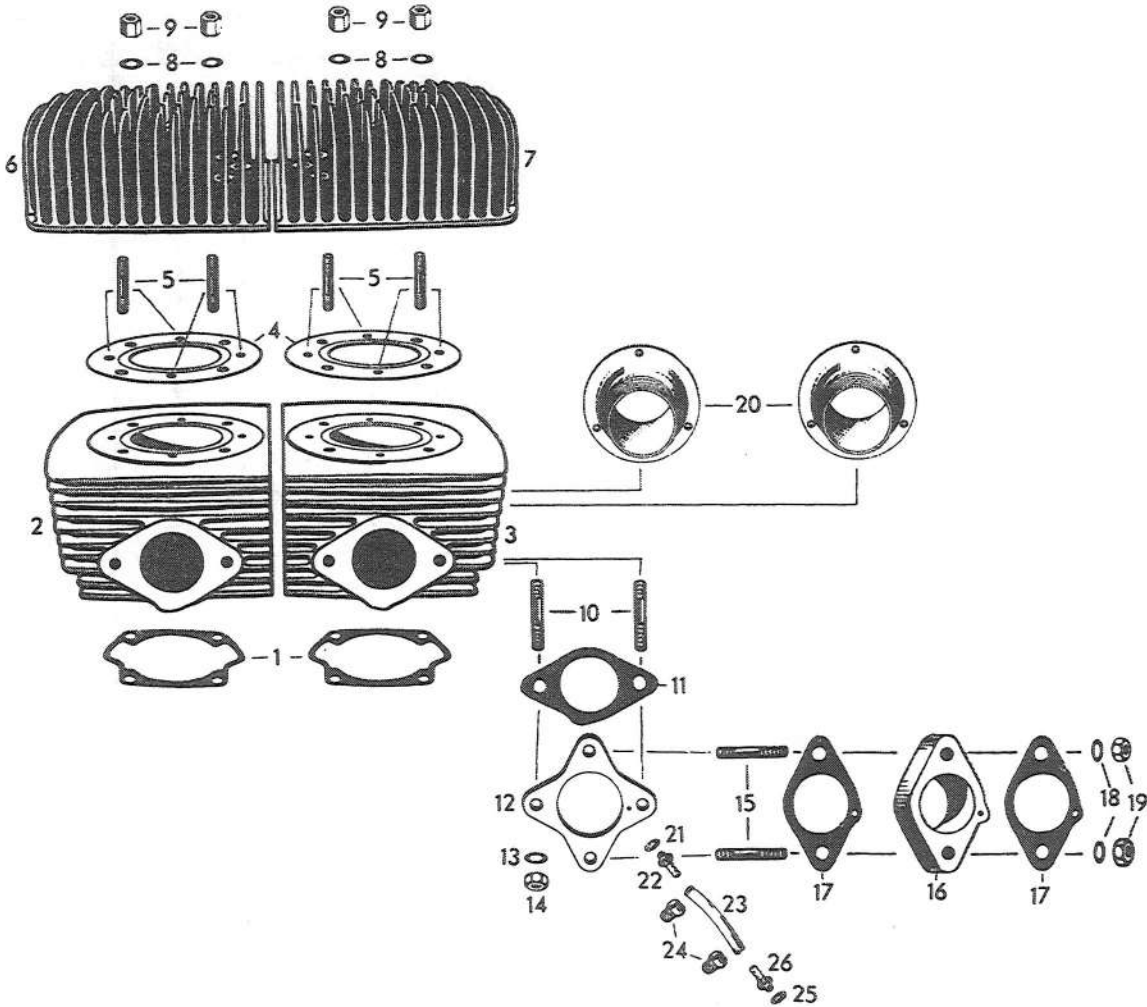
246 FOR BLIZZARD 246

291 FOR BLIZZARD 291

336 FOR BLIZZARD 336

ITEM NO.	PART NO.	DESCRIPTION	QUANTITY		
			246	291	336
1-2-3	402 2263	Piston Ass. W/L & R Rings 79.0ϕ 1st Oversize			1
2	402 2270	L-Ring 79.0ϕ 1st Oversize			1
3	402 2275	R-Ring 79.0ϕ 1st Oversize			1
4	402 1080	Gudgeon Pin	1		
4	402 1279	Gudgeon Pin		1	1
5	402 1067	Circlip, Gudgeon Pin	2	2	2
6	402 2296	Gasket, Cylinder Flange	1	1	1
7	402 2329	Cylinder With Sleeve	1		
7	402 2330	Cylinder With Sleeve		1	
7	402 2331	Cylinder With Sleeve			1
8	402 2332	Stud M6 x 44, Cylinder Head	4	4	4
9	402 2297	Gasket, Cylinder Head	1		
9	402 2298	Gasket, Cylinder Head		1	
9	402 2333	Gasket, Cylinder Head			1
10	402 2334	Cylinder Head	1		
10	402 2335	Cylinder Head		1	
10	402 2336	Cylinder Head			1
11	402 4129	Washer 6.4	4	4	4
12	402 2337	Hex Nut M6	4	4	4
13	402 2159	Stud M8 x 41	2	2	2
14	402 2171	Isolating Flange	1	1	1
15	404 0039	Flange Gasket	2	2	2
16	402 2072	Isolating Washer	2	2	2
17	402 0018	Hex Nut M8	2	2	2
18	402 2338	Exhaust Socket	1	1	1





ITEM NO.	PART NO.	DESCRIPTION	QUANTITY	
			397	437
1	402 2300	Gasket, Cylinder Flange	2	2
2	402 2340	Cylinder W/Sleeve, P.T.O. Side	1	
1	402 2341	Cylinder W/Sleeve, P.T.O. Side		1
3	402 2342	Cylinder W/Sleeve, Magneto Side	1	
3	402 2343	Cylinder W/Sleeve, Magneto Side		1
4	402 2301	Gasket, Cylinder, Head	2	
4	402 2252	Gasket Cylinder, Head		2
5	402 2240	Stud M8 x 40 Cylinder Head	8	8
6	420 2344	Cylinder Head, P.T.O. Side	1	
6	402 2345	Cylinder Head, P.T.O. Side		1
7	402 2346	Cylinder Head, Magneto Side	1	
7	402 2347	Cylinder Head, Magneto Side		1
8	402 0031	Washer 8.4 Cylinder Head	16	16
9	402 2242	Hex Nut M8	16	16



CYLINDERS, CYLINDER HEAD, EXHAUST SOCKET

1971

397 FOR BLIZZARD 397

437 FOR BLIZZARD 437

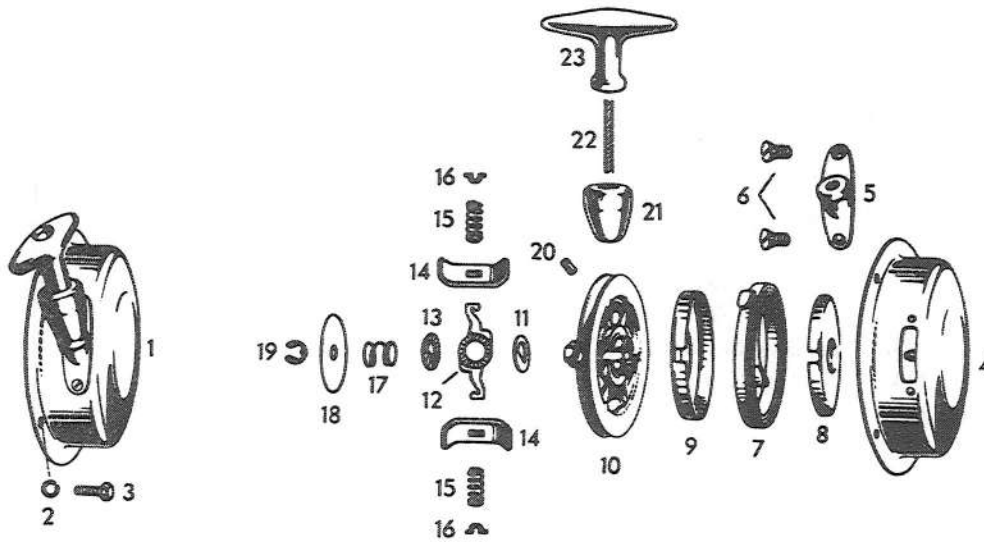
ITEM NO.	PART NO.	DESCRIPTION	QUANTITY	
			397	437
10	402 2038	Stud M8 x 19	4	4
11	402 2348	Gasket	2	2
12	402 3043	Cross Intake Flange	2	2
13	402 1158	Locking Washer 8	4	4
14	402 0134	Hex Nut M8	4	4
15	402 3044	Stud M8 x 31	4	4
16	402 3042	Isolating Flange	2	2
17	404 0039	Flange Gasket	4	4
18	402 2072	Isolating Washer	4	4
19	402 0018	Hex Nut M8	4	4
20	402 2338	Exhaust Socket	2	2
21	402 2349	Sealing Ring	2	2
22	402 2350	Joint	2	2
23	402 2351	Plastic Line 130MM	2	2
24	402 0063	Clamp, Plastic Tube	4	4
25	402 0064	Sealing Washer	2	2
26	402 0065	Joint	2	2



REWIND STARTER
246 FOR BLIZZARD 246

291 FOR BLIZZARD 291
397 FOR BLIZZARD 397

336 FOR BLIZZARD 336
437 FOR BLIZZARD 437



ITEM NO.	PART NO.	DESCRIPTION	QUANTITY				
			246	291	336	397	437
1	402 5046	Rewind Starter Ass'y	1	1	1	1	1
2	402 0015	Lock Washer 6	4	4	4	4	4
3	402 5012	Hex Screw M6 x 15	4	4	4	4	4
4	402 7058	Starter Housing	1	1	1	1	1
5	402 5036	Starter Rope	1	1	1	1	1
6	402 5037	Counter Sunk Screw M5 x 8	2	2	2	2	2
7-8-9	402 5023	Spring Cartridge Ass'y	1	1	1	1	1
7	402 5022	Rewind Spring	1	1	1	1	1
8	402 5038	Spring Guide	1	1	1	1	1
9	402 5044	Cover Spring Guide	1	1	1	1	1
10	402 5047	Rope Sheave	1	1	1	1	1
11	402 5026	D-Washer	1	1	1	1	1
12	402 5028	Pivot Arm	1	1	1	1	1
13	402 5027	Friction Washer	1	1	1	1	1
14	402 5029	Pawl	2	2	2	2	2
15	402 5030	Pawl Spring	2	2	2	2	2
16	402 5031	Pawl Spring Stop	2	2	2	2	2
17	402 5032	Friction Spring	1	1	1	1	1
18	402 5033	Cover Washer	1	1	1	1	1
19	402 5034	Circlip	1	1	1	1	1
20	402 5016	Bolt, 5 x 6 Starter Rope	1	1	1	1	1
21	402 5039	Rubber Buffer	1	1	1	1	1
22	402 5018	Starter Rope 1300 MM	1	1	1	1	1
23	402 5019	Starter Grip	1	1	1	1	1



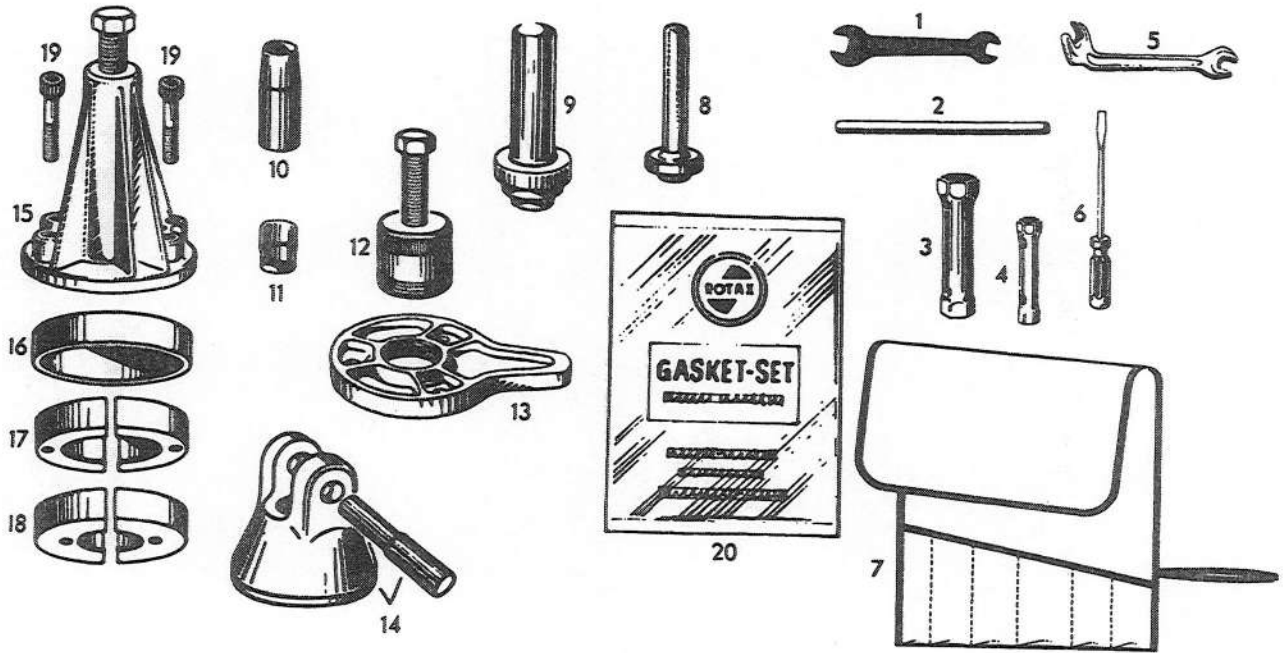
REPAIR TOOLS, GASKET SET

1971

291 FOR BLIZZARD 291
397 FOR BLIZZARD 397

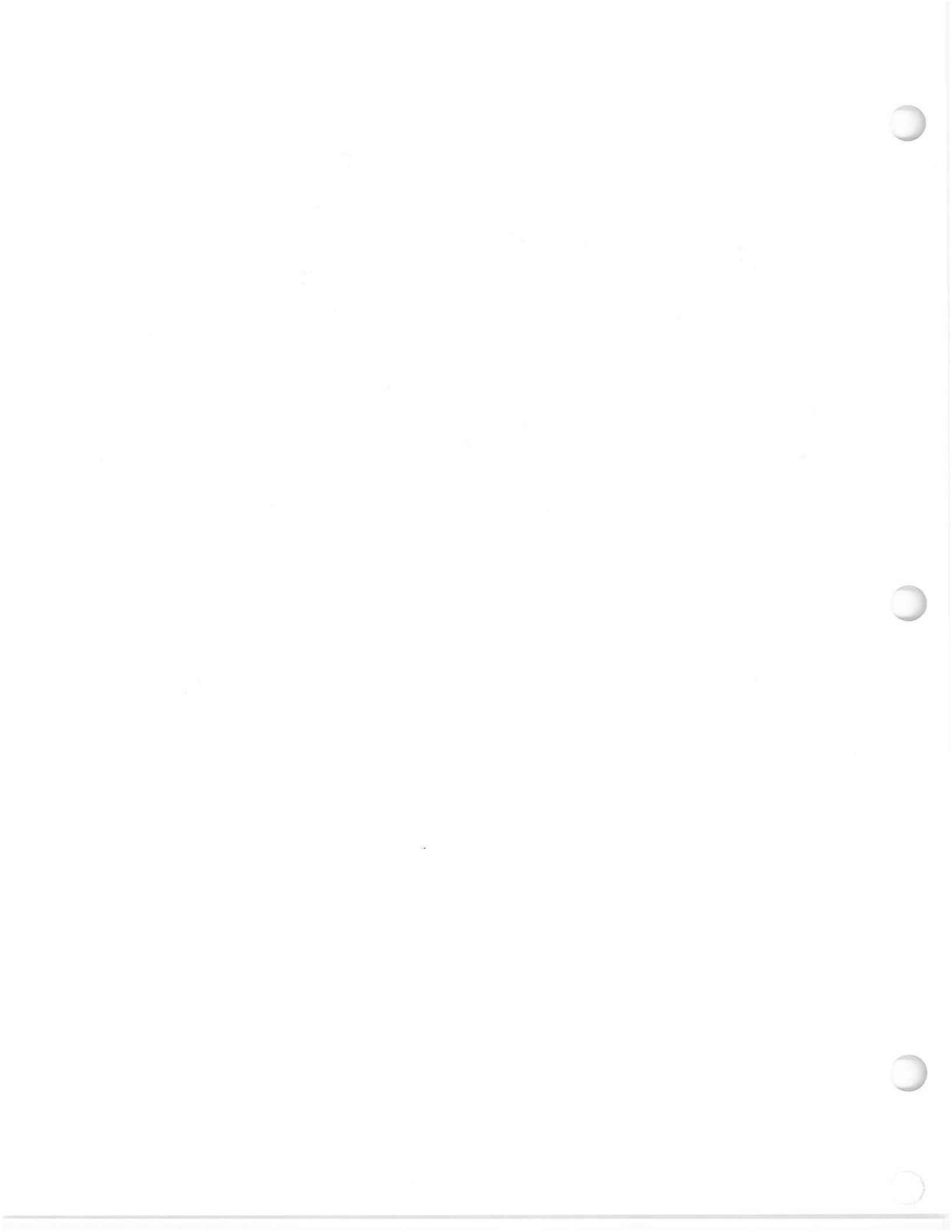
246 FOR BLIZZARD 246

336 FOR BLIZZARD 336
437 FOR BLIZZARD 437



ITEM NO.	PART NO.	DESCRIPTION	QUANTITY				
			246	291	336	397	437
1-2-3-4-5-6-7	402 8063	Tool Bag W/Tools Ass'y	1	1	1	1	1
1	402 8062	Fork Wrench 11/13MM	1	1	1	1	1
2	402 8039	Bolt 8 x 130, Socket Wrench	1	1	1	1	1
3	402 8060	Socket Wrench 21/26 MM	1	1	1	1	1
4	402 8059	Socket Wrench 11/13MM	1	1	1	1	1
5	402 8049	Angular Wrench 10/13MM	1	1	1	1	1
6	402 8061	Screw Driver	1	1	1	1	1
7	402 8058	Tool Bag	1	1	1	1	1
8	402 8067	Stamp To Mount Oil Seal, Magneto Side	1	1	1		
9	402 8037	Stamp To Mount Oil Seal, P.T.O. Side	1	1	1		
10	402 8010	Sleeve For Oil Seal Magneto Side	1	1	1		
11	402 8005	Protection Cap 18MM	1	1	1	1	1
12	402 8044	Puller Ass'y For Flywheel	1	1	1	1	1
13	402 8045	Wrench To Hold Magneto Housing	1	1	1	1	1
14	402 8013	Holder With Bolt, Connecting Rod	1	1	1		
15	402 8065	Puller Ass'y	1	1	1	1	1
16	402 8070	Ring For Puller, Roller Bearing	1	1	1	1	1
16	402 8071	Ring For Puller, Ball Bearing	1	1	1		
17	402 8069	Ring Half, Ball Bearing	2	2	2		
17	402 8068	Ring Half, Ball Bearing				2	2
18	402 8066	Ring Half, Roller Bearing	2	2	2		
19	402 2287	Cyl. Screw W/Int. Hex, M8 x 40, For Puller ...	2	2	2	2	2
20	402 9038	Gasket Set	1				
20	402 9039	Gasket Set		1			
20	402 9040	Gasket Set			1		
20	402 9041	Gasket Set				1	
20	402 9042	Gasket Set					1





ENGINE ROTAX 71

SECTION 2-2

TYPE

MODEL

645

FOR BLIZZARD 636

797

FOR BLIZZARD 797

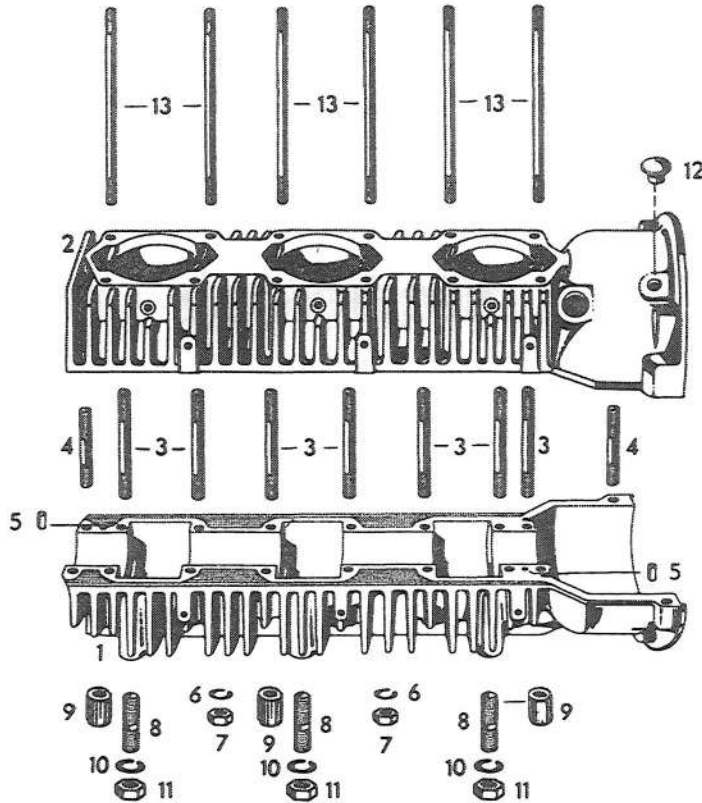


Cat. No. 480 1016.



March 1970.

SECTION 2-2 - PAGE 57

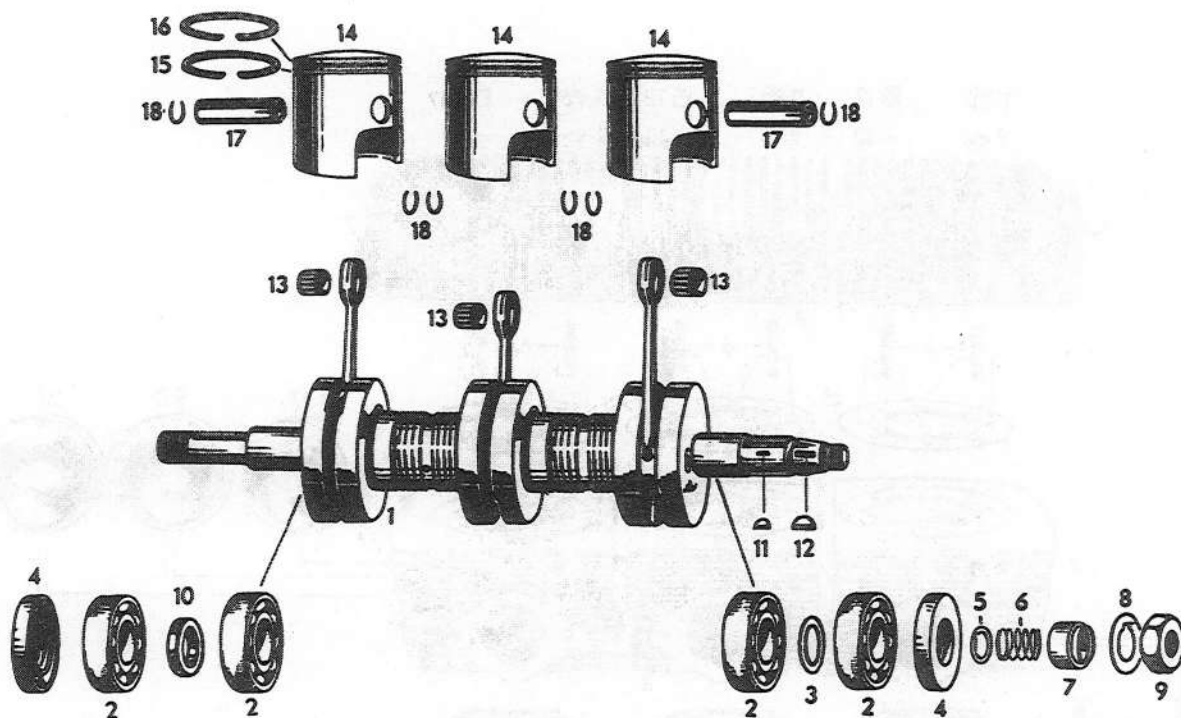


ITEM NO.	PART NO.	DESCRIPTION	QUANTITY	
			645	791
1-2-3-4-5	402 0238	Crankcase Ass'y	1	1
3	402 0007	Stud M8 x 56	14	14
4	402 0123	Stud M8 x 37	4	4
5	402 0161	Dowel Pin 5 φ x 10	2	2
6	402 0016	Lock Washer 8	18	18
7	402 0018	Hex. Nut M8	18	18
8	402 0113	Stud M12 x 42.5	6	6
9	402 0173	Distance Sleeve 22MM	6	6
10	402 1038	Lock Washer 12	6	6
11	402 0117	Hex. Nut M12	6	6
12	402 5024	Plug	1	1
13	402 0234	Stud M8, Cylinder	12	12



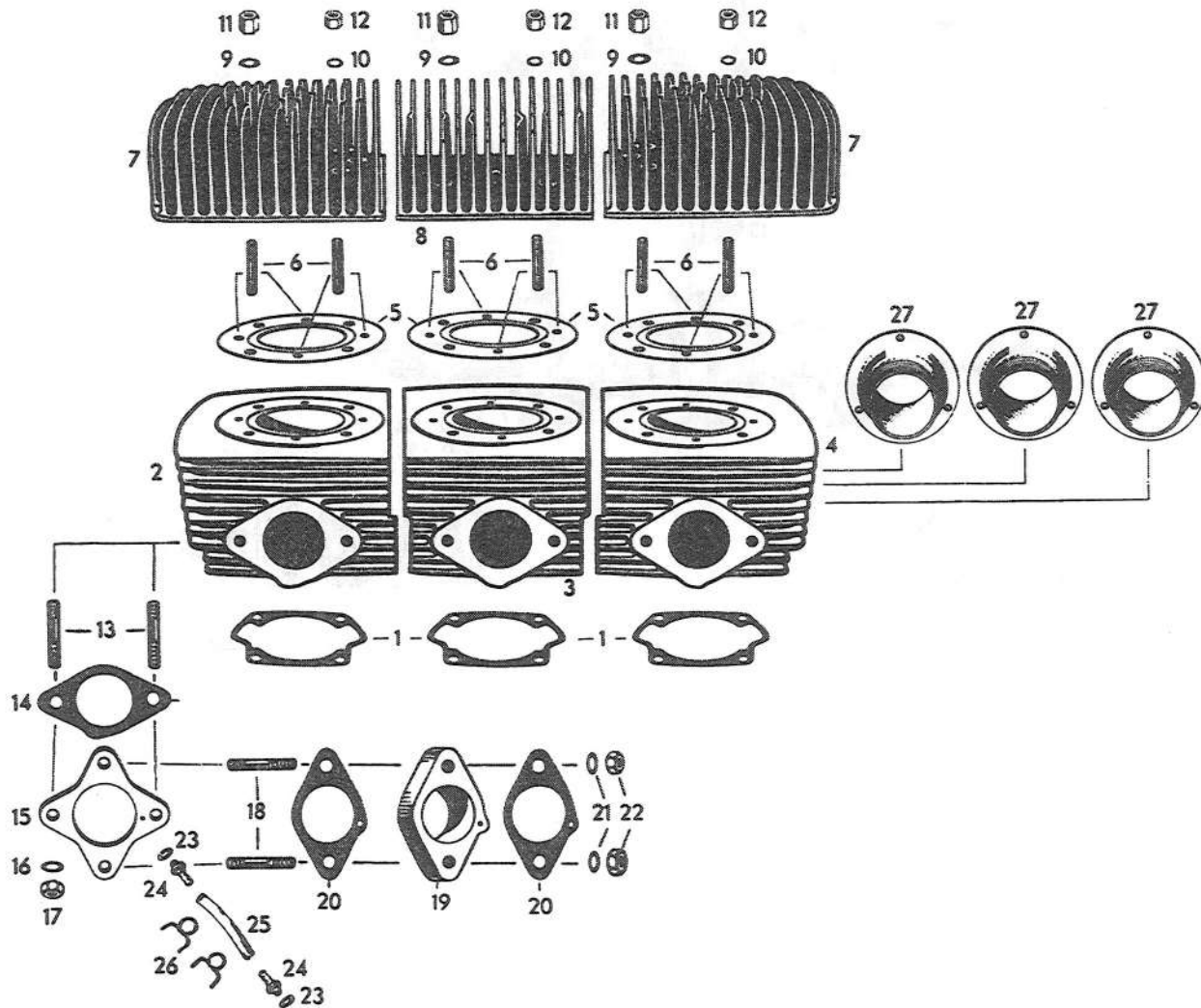
645 FOR BLIZZARD 636

797 FOR BLIZZARD 797



ITEM NO.	PART NO.	DESCRIPTION	QUANTITY	
			645	797
1	402 1309	Crankshaft Ass'y	1	1
2	402 1307	Ball Bearing 6206	4	4
3	402 1112	Shim 1MM	1	1
4	402 2391	Oil Seal	2	2
5	402 1026	Shim 1MM	1	1
6	402 1036	Spring, Breaker Cam	1	1
7	402 4311	Breaker Cam	1	1
8	402 1040	Lock Washer	1	1
9	402 1043	Hex. Nut M18 x 1.5	1	1
10	402 1308	Distance Sleeve 6.5MM	1	1
11	402 1304	Woodruff Key 3 x 3.7	1	1
12	402 1010	Woodruff Key 5 x 6.5	1	1
13	402 1033	Needle Cage	3	3
14-15-16	402 2306	Piston Ass'y w/L & R Rings 67.0 ϕ Std	3	
15	402 1230	R-Ring 67.0 ϕ Std	1	
16	402 1228	L-Ring 67.0 ϕ std	1	
14-15-16	402 2308	Piston Ass'y w/L & R Rings 74.5 ϕ Std		3
15	402 1306	R-Ring 74.5 ϕ Std		1
16	402 1305	L-Ring 74.5 ϕ Std		1
14-15-16	402 2401	Piston Ass'y w/L & R Rings 67.5 ϕ 1st Oversize	3	
15	402 1231	R-Ring 67.5 ϕ 1st Oversize	1	
16	402 1229	L-Ring 67.5 ϕ 1st Oversize	1	
14-15-16	402 2402	Piston Ass'y w/L & R Rings 75.0 ϕ 1st Oversize		3
15	402 2273	R-Ring 75.0 ϕ 1st Oversize		1
16	402 2266	L-Ring 75.0 ϕ 1st Oversize		1
17	402 1080	Gudgeon Pin	3	
17	402 1064	Gudgeon Pin		3
18	402 1067	Circlip, Gudgeon Pin	6	6





ITEM NO.	PART NO.	DESCRIPTION	QUANTITY	
			645	797
1	402 2304	Gasket, Cylinder Flange	3	3
2	402 2379	Cylinder w/Sleeve, P.T.O. Side	1	
2	402 2388	Cylinder w/Sleeve, P.T.O. Side		1
3	402 2380	Cylinder w/Sleeve, Center	1	
3	402 2389	Cylinder w/Sleeve, Center		1
4	402 2381	Cylinder w/Sleeve, Magneto Side	1	
4	402 2390	Cylinder w/Sleeve, Magneto Side		1
5	402 2305	Gasket, Cylinder Head	3	
5	402 2307	Gasket, Cylinder Head		3
6	402 2332	Stud M6 x 44	12	12
7	402 2384	Cylinder Head, P.T.O. Side, Magneto Side	2	
7	402 2385	Cylinder Head, P.T.O. Side, Magneto Side		2
8	402 2386	Cylinder Head, Centre	1	
8	402 2387	Cylinder Head, Centre		1
9	402 0031	Washer 8.4, Cylinder Head	12	12



CYLINDERS, CYLINDER HEAD, EXHAUST SOCKET

1971

645 FOR BLIZZARD 636

797 FOR BLIZZARD 797

ITEM NO.	PART NO.	DESCRIPTION	QUANTITY	
			645	797
10	402-4129	Washer 6.4, Cylinder Head	12	12
11	402 2242	Hex. Nut M8	12	12
12	402 2337	Hex. Nut M6	12	12
13	402 2038	Stud M8 x 19	6	6
14	402 2348	Gasket	3	3
15	402 3043	Cross Intake Flange	3	3
16	402 1158	Locking Washer 8	6	6
17	402 0134	Hex. Nut M8	6	6
18	402 3044	Stud M8 x 31	6	6
19	402 3042	Isolating Flange	3	3
20	404 0039	Tillotson Carburetor Flange Gasket	6	6
21	402 2072	Isolating Washer	6	6
22	402 0018	Hex. Nut M8	6	6
23	402 2349	Sealing Ring	6	6
24	402 2350	Joint	6	6
25	402 2351	Plastic Line, 130MM	3	3
26	402 2403	Clamp, Plastic Tube	6	6
27	402 2338	Exhaust Socket	3	3



ENGINE ROTAX 71

Rewind Starter Same As Section 2-2 – Page 54

Repair Tools, Gasket Set
Same As Section 2-2 – Page 55

Except for

#15 – 402-8074 Gasket Set, Engine Type 645

#15 – 402-8075 Gasket Set, Engine Type 797



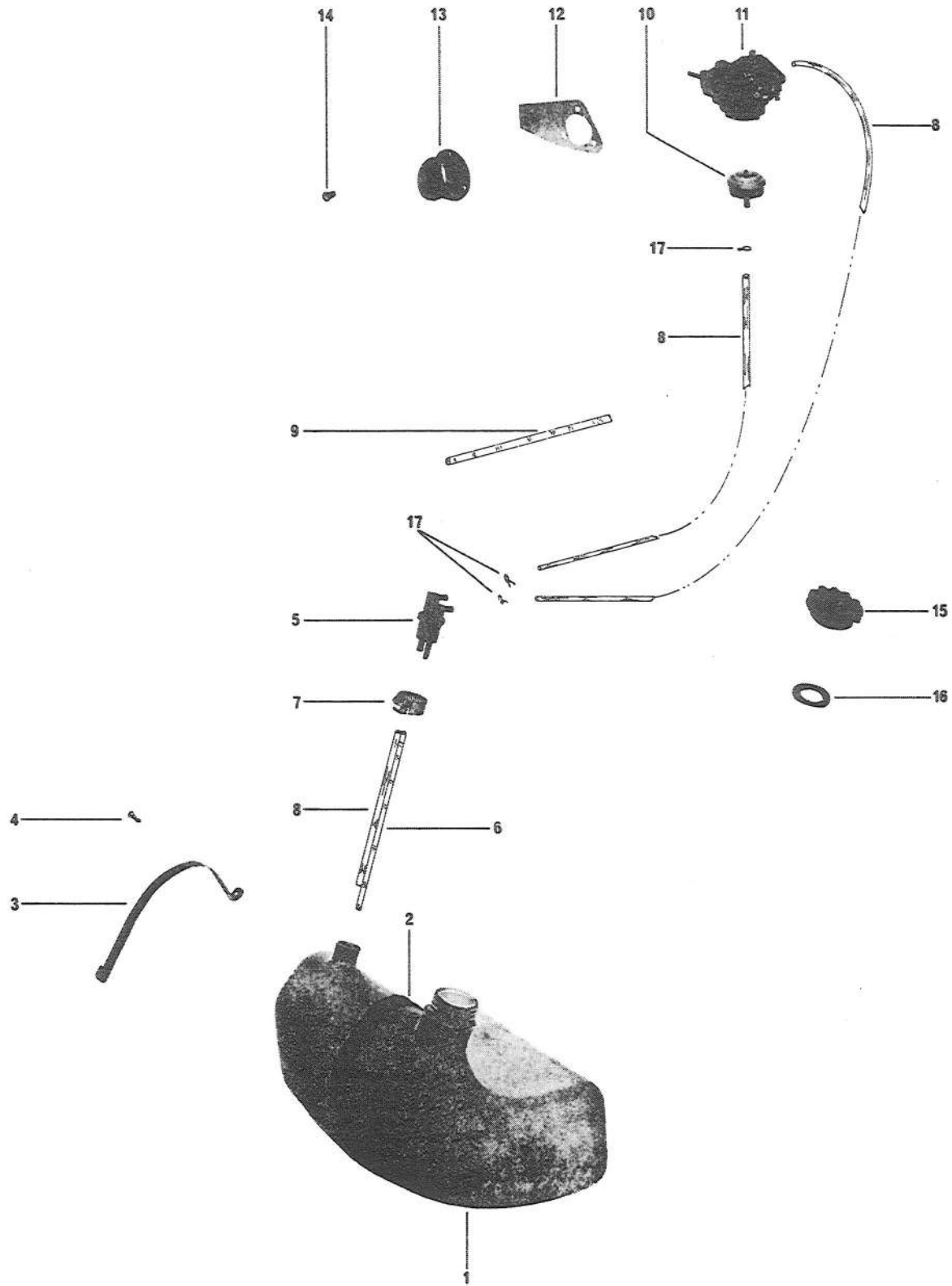
FUEL

SECTION 2-3

TANK AIR INTAKE

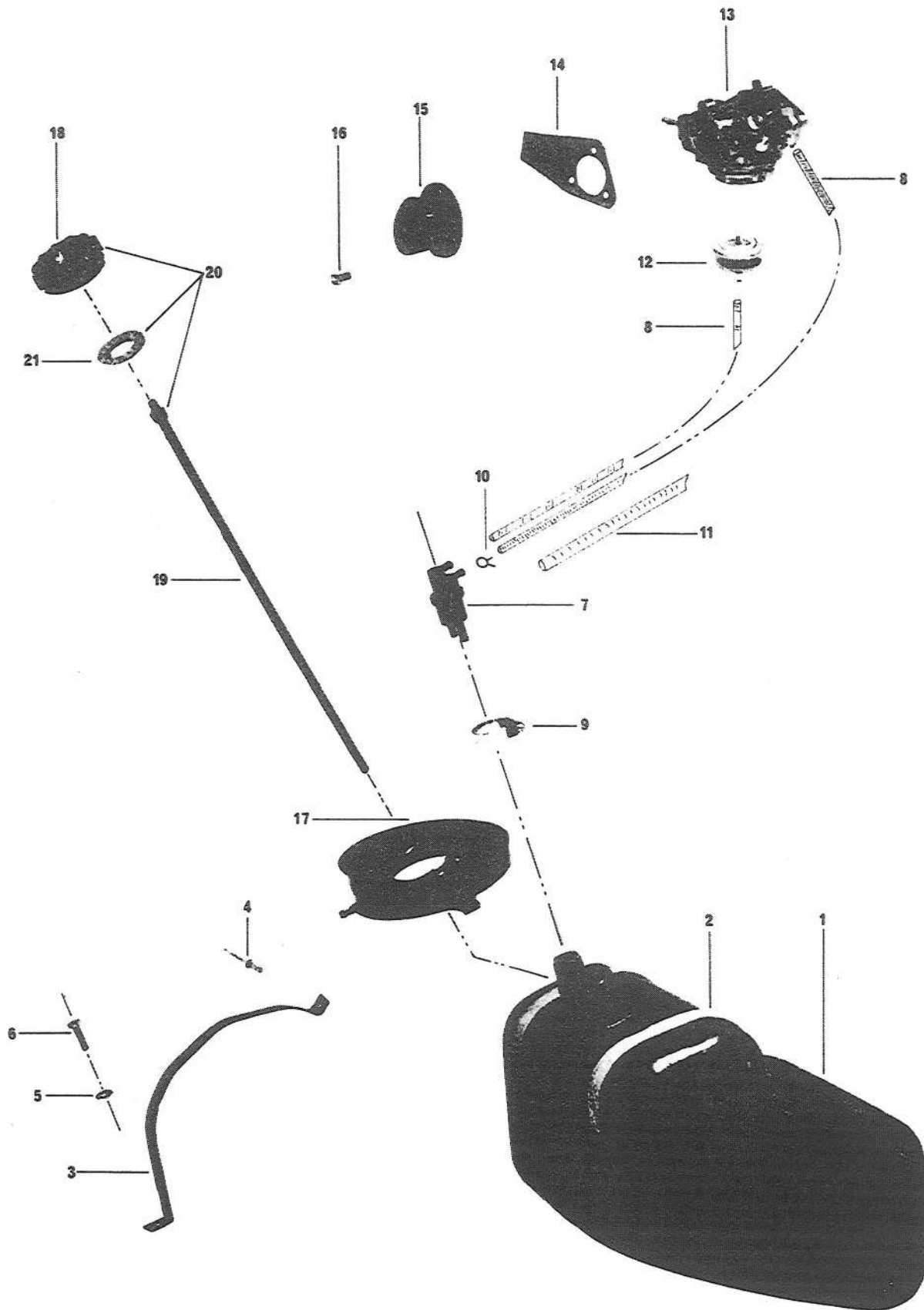


FUEL (ELAN)



ITEM NO.	PART NO.	DESCRIPTION	QUANTITY	
			250	250E
1	414 0784	Fuel Tank	1	1
2	414 0247	Protector Strip (Mult. 12")	AR	AR
3	513 0094	Retainer Strip	1	1
4	362 1105	Metal Screw	1	1
5	572 1301	Male Connector	1	1
6	414 0511	Fuel Line (Mult 12")	AR	AR
7	408 8004	Clamp	1	1
8	414 0511	Fuel Line (Mult 12")	AR	AR
9	414 0178	Isolating Line (Mult 12")	AR	AR
10	414 0112	Fuel Filter	1	1
11	403 0020	Carburator	1	1
12	513 0095	Choke Bracket	1	1
13	572 1303	Funnel	1	1
14	337 7100	Screw	3	3
15	572 1308	Fuel Tank Cap	1	1
16	414 0775	Gasket	1	1
17	414 0128	Hose Clamp	3	3
	404 0157	Insulator Sleeve	2	2



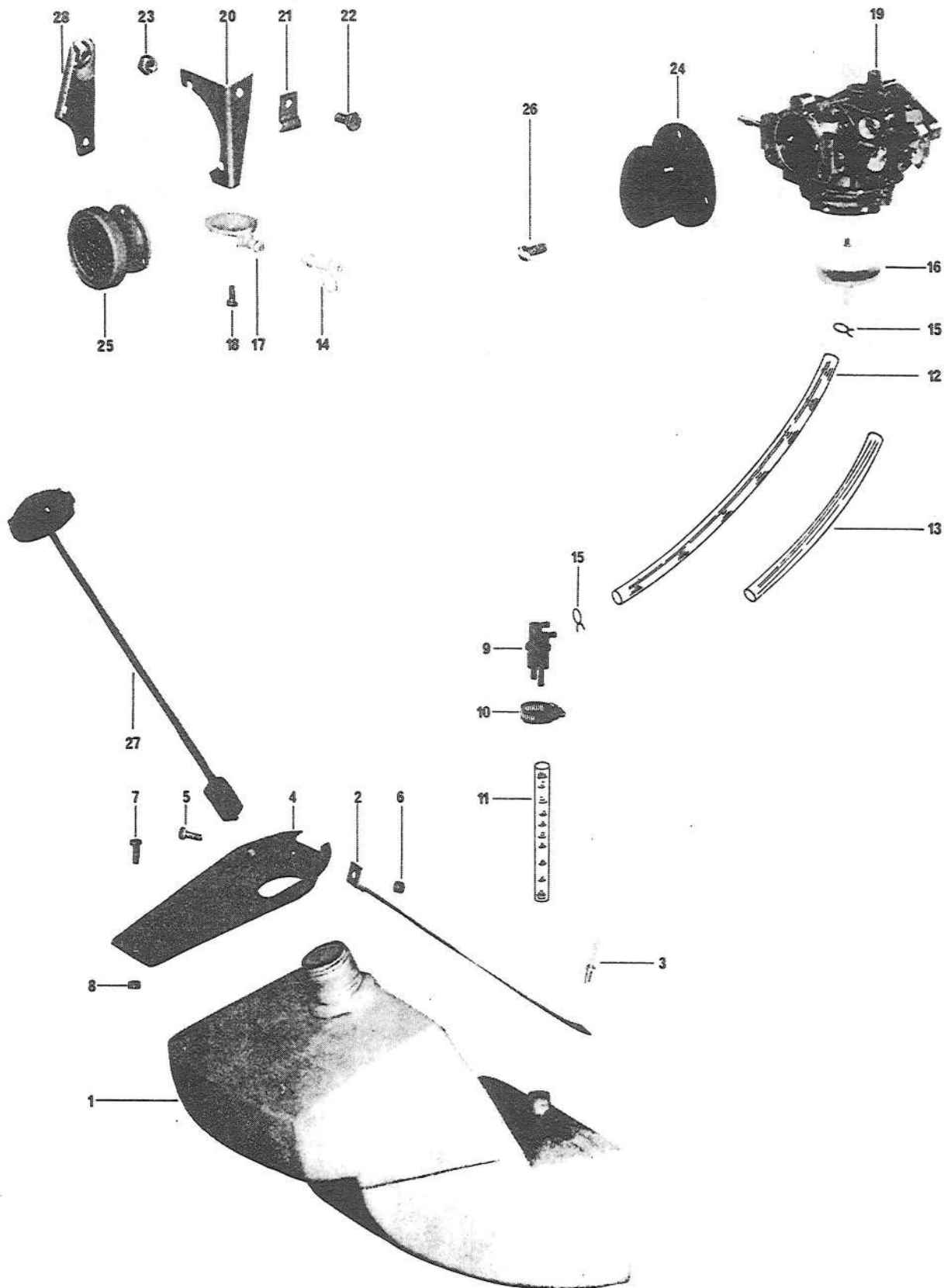


FUEL (OLYMPIQUE - T'NT 15")

1971

ITEM NO.	PART NO.	DESCRIPTION	QUANTITY						
			300	335	335E	399	399E	T'NT 292	T'NT 340
1	414 0770	Fuel Tank	1	1	1	1	1	1	1
2	414 0247	Protector Strip (Mult 12") ...	AR	AR	AR	AR	AR	AR	AR
3	513 0099	Retainer Strip	2	2	2	2	2	2	2
4	390 4024	Pop Rivet	2	2	2	2	2	2	2
5	399 9015	Washer	2	2	2	2	2	2	2
6	300 1003	Screw	2	2	2	2	2	2	2
7	572 1301	Male Connector	1	1	1	1	1	1	1
8	414 0511	Fuel Line (Mult 12")	AR	AR	AR	AR	AR	AR	AR
9	408 8004	Gear Clamp	1	1	1	1	1	1	1
10	414 0128	Hose Clamp	3	3	3	3	3	3	3
11	414 0178	Isolating Line (Mult 12")	AR	AR	AR	AR	AR	AR	AR
12	414 0112	Fuel Filter	1	1	1	1	1	1	1
13	403 0022	Carburator	1						
13	403 0023	Carburator		1	1				
13	403 0024	Carburator				1	1		
13	403 0025	Carburator						1	1
14	513 0095	Choke Bracket	1	1	1	1	1		
15	572 1303	Funnel	1	1	1	1	1		
15	570 1208	Funnel						1	1
16	337 7100	Screw	3	3	3	3	3	3	3
17	572 1302	Filler Neck Bib	1	1	1	1	1	1	1
18	572 1308	Fuel Tank Cap	1	1	1	1	1	1	1
19	572 1305	Fuel Tank Gauge	1	1	1	1	1	1	1
20	581 1075	Fuel Tank Cap Assembly	1	1	1	1	1	1	1
21	414 0775	Fuel Tank Gasket	1	1	1	1	1	1	1
	404 0157	Insulator Sleeve	2	2	2	2	2	2	2

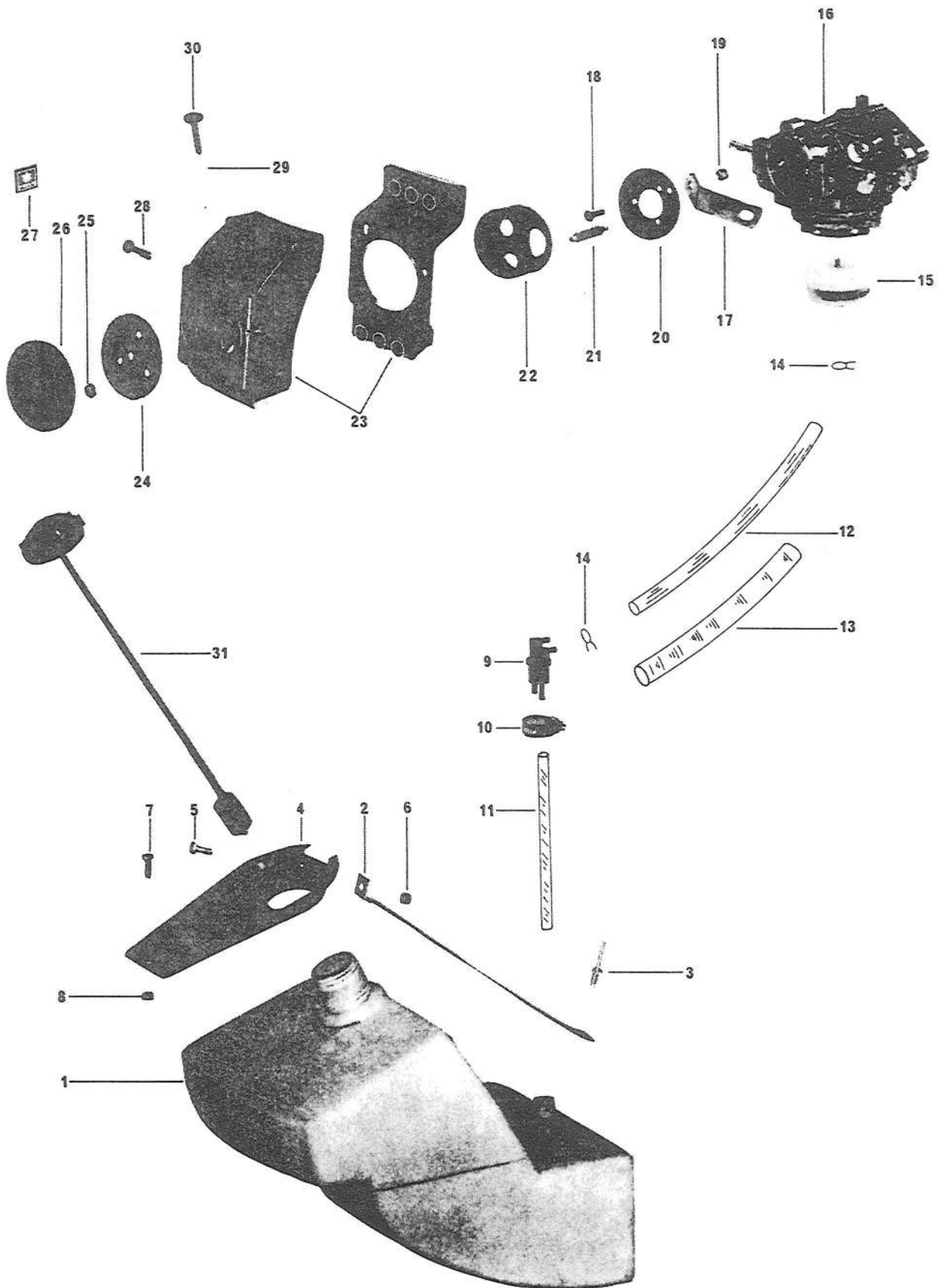




ITEM NO.	PART NO.	DESCRIPTION	QUANTITY					
			399	399E	640E	T'NT 440	T'NT 640	T'NT 775
1	414 0656	Fuel Tank	1	1	1	1	1	1
2	513 0073	Retaining Strip	2	2	2	2	2	2
3	390 4021	Pop Rivet	2	2	2	2	2	2
4	517 0124	Filler Neck Bib	1	1	1	1	1	1
5	350 0007	Screw	2	2	2	2	2	2
6	386 6013	Nut	2	2	2	2	2	2
7	300 5001	Screw	2	2	2	2	2	2
8	386 9003	Nut	2	2	2	2	2	2
9	572 1301	Male Connector	1	1	1	1	1	
9	513 0105	Fuel Line Adaptor						1
10	408 8004	Gear Clamp	1	1	1	1	1	1
11	414 0511	Fuel Line (Mult 12")	AR	AR	AR	AR	AR	AR
12	414 0130	Fuel Line (Mult 12")	AR	AR	AR	AR	AR	AR
13	414 0178	Isolating Line (Mult 12")	AR	AR	AR	AR	AR	AR
14	414 0024	"T" Line						1
15	414 0128	Hose Clamp	3	3	3	3	3	5
16	414 0112	Fuel Filter	1	1	1	1	1	
17	404 0051	Strainer Cover						2
18	404 0052	Screw						2
19	403 0017	Carburator	1	1				
19	403 0026	Carburator			1		1	2
19	403 0030	Carburator				1		
20	512 0084	Choke Bracket			1			
21	507 0028	Clip			1			
22	300 5001	Screw			1			
23	386 9003	Nut			1			
24	572 1303	Intake Funnel	1	1				
24	570 1208	Intake Funnel				1	1	2
25	414 0397	Air Intake			1			
26	337 7100	Screw	3	3	3	3	3	6
27	414 0209	Fuel Tank Cap Gauge	1	1	1	1	1	1
28	513 0082	Throttle Brkt						1
	404 0157	Insulator Sleeve	2	2	2	2	2	4
	114 0043	Hose Tie	AR	AR	AR	AR	AR	AR



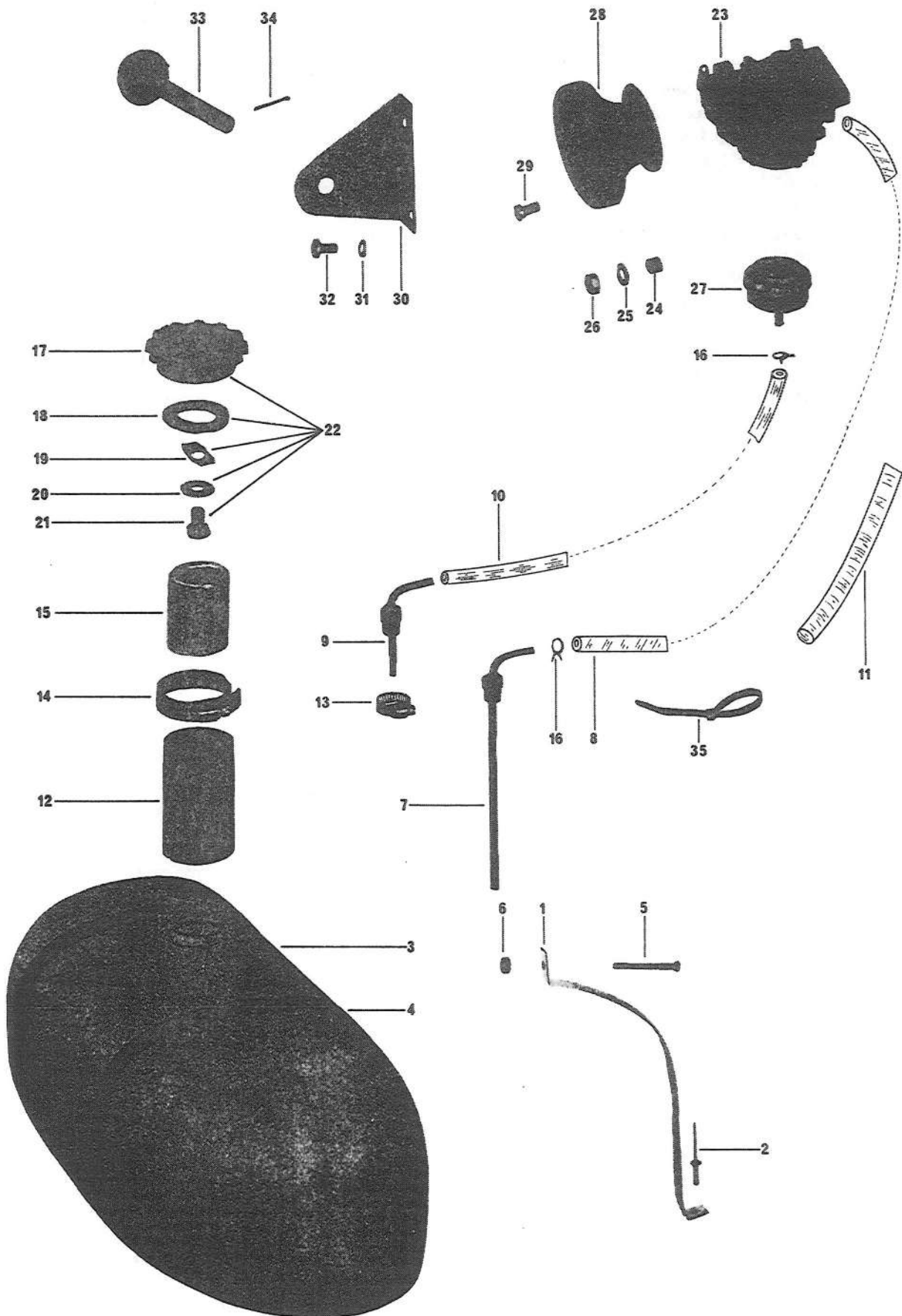
FUEL SKANDIC



ITEM NO.	PART NO.	DESCRIPTION	QUANTITY
			335
1	414 0656	Fuel Tank	1
2	513 0073	Retaining Strip	2
3	390 4021	Pop Rivet	2
4	517 0124	Filler Neck Bib	1
5	350 0007	Screw	2
6	386 6013	Nut	2
7	300 5001	Screw	2
8	386 9003	Nut	2
9	572 1301	Male Connector	1
10	408 8004	Gear Clamp	1
11	414 0511	Fuel Line (Mult 12")	AR
12	414 0130	Fuel Line (Mult 12")	AR
13	414 0178	Isolating Line (Mult 12")	1
14	414 0128	Hose Clamp	3
15	414 0112	Fuel Filter	1
16	403 0019	Carburator	1
17	513 0045	Carburator Bracket	1
18	300 0000	Screw	1
19	386 6119	Nut	1
20	402 3004	Silencer Bottom	1
21	402 3019	Collar Stud	3
22	402 3033	Silencer Socket	1
23	414 0270	Air Intake	1
24	402 3016	Retaining Disk	1
25	386 6119	Nut	3
26	414 0271	Intake Silencer Cap	1
27	414 0611	Bombardier Crest	1
28	402 8032	Jet Wrench	1
29	402 3023	Choke Rod	1
30	402 3020	Choke Button	1
31	414 0209	Fuel Tank Cap Gauge	1
	404 0157	Insulator Sleeve	2



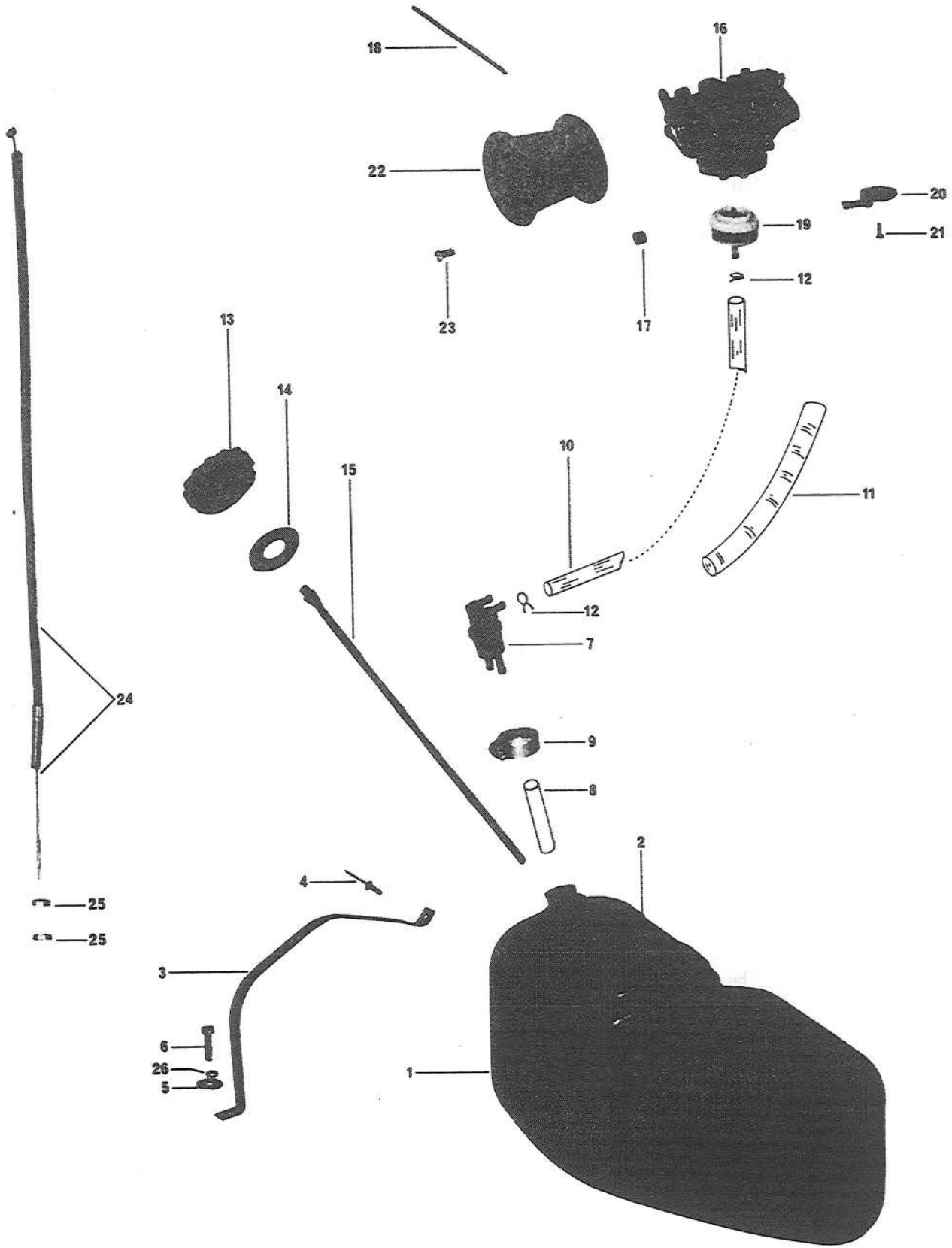
FUEL (VALMONT - ALPINE)



ITEM NO.	PART NO.	DESCRIPTION	QUANTITY					
			V 399R	V 399ER	V 640ER	A 399R	A 399ER	A 640ER
1	513 0027	Retainer Strip	4	4	4	4	4	4
2	390 4024	Pop Rivet	4	4	4	4	4	4
3	414 0355	Fuel Tank	1	1	1	1	1	1
4	414 0247	Protector Strip (Mult 12")	AR	AR	AR	AR	AR	AR
5	320 1067	Screw	2	2	2	2	2	2
6	387 3013	Nut	2	2	2	2	2	2
7	513 0035	Fuel Line Adaptor	1	1	1	1	1	1
8	414 0130	Fuel Line (Mult 12")	AR	AR	AR	AR	AR	AR
9	513 0013	Fuel Line Adaptor	1	1	1	1	1	1
10	414 0511	Fuel Line (Mult 12")	AR	AR	AR	AR	AR	AR
11	414 0178	Isolating Line (Mult 12")	1	1	1	1	1	1
12	414 0774	Filler Pipe	1	1	1	1	1	1
13	408 8006	Clamp	2	2	2	2	2	2
14	408 8008	Clamp	2	2	2	2	2	2
15	414 0416	Filler Neck	1	1	1	1	1	1
16	414 0128	Hose Clamp	2	2	2	2	2	2
17	414 0290	Fuel Tank Cap	1	1	1	1	1	1
18	414 0293	Gasket	1	1	1	1	1	1
19	513 0047	Spring	1	1	1	1	1	1
20	399 9006	Flat Washer	1	1	1	1	1	1
21	300 5080	Screw	1	1	1	1	1	1
22	580 3028	Cap Ass'y	1	1	1	1	1	1
23	403 0017	Carburator	1	1				
23	403 0012	Carburator				1	1	
23	403 0028	Carburator			1			
23	403 0026	Carburator						1
24	404 0157	Insulator Sleeve	2	2	2	2	2	2
25	402 2072	Isolating Washer	2	2	2	2	2	2
26	402 0018	Nut	2	2	2	2	2	2
27	414 0112	Fuel Filter	1	1	1	1	1	1
28	414 0465	Air Intake Silencer	1	1		1	1	
28	414 0397	Air Intake Silencer			1			1
29	337 7100	Screw	3	3	3	3	3	3
30	513 0108	Choke Bracket	1	1				
30	513 0109	Choke Bracket			1			
31	399 8007	Washer	2	2	2			
32	300 5000	Cap Screw	2	2	2			
33	414 0396	Choke Knob	1	1				
33	561 7054	Choke Knob			1			
34	371 0001	Cotter Pin	1	1	1			
35	114 0043	Hose Tie	1	1	1	1	1	1

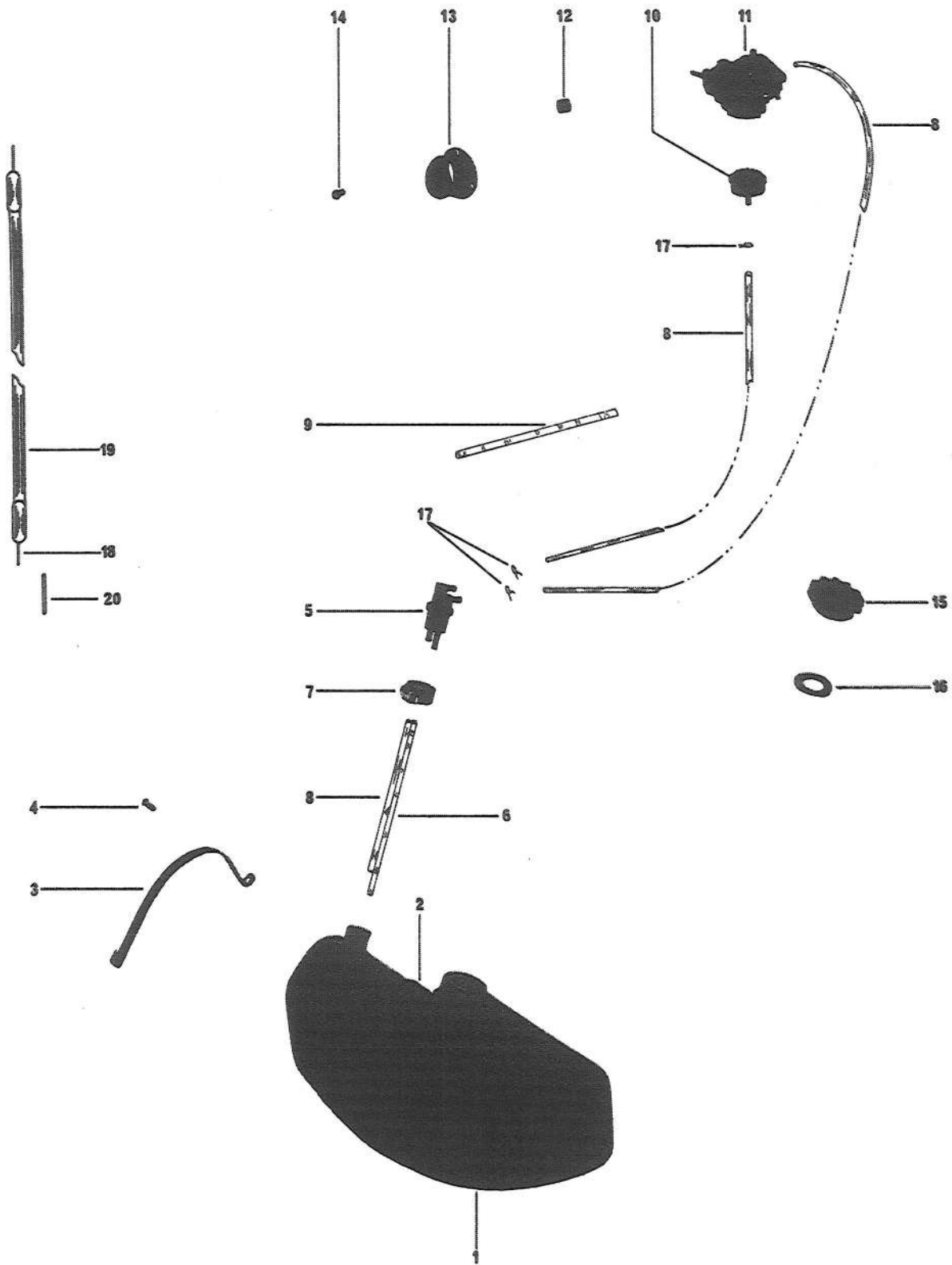


FUEL (BLIZZARD 15" - 16-1/2")



ITEM NO.	PART NO.	DESCRIPTION	QUANTITY					
			291	336	397	437	636	797
1	414 0770	Fuel Tank	1	1	1	1		
1	414 0909	Fuel Tank					1	1
2	414 0247	Protector Strip (Mult 12")	AR	AR	AR	AR	AR	AR
3	513 0099	Retainer Strip	2	2	2	2		
3	513 0112	Retainer Strip					2	2
4	390 4024	Rivet	2	2	2	2	2	2
5	399 9015	Washer	2	2	2	2	2	2
6	300 1003	Screw	2	2	2	2	2	2
7	572 1301	Male Connector	1	1	1	1		
7	513 0105	Fuel Line Adapter					1	1
8	414 0511	Fuel Line (Mult 12")	AR	AR	AR	AR	AR	AR
9	408 8004	Clamp	1	1	1	1	2	2
10	414 0130	Fuel Line (Mult 12")	AR	AR	AR	AR	AR	AR
11	414 0178	Isolating Line (Mult 12")	AR	AR	AR	AR	AR	AR
12	414 0128	Hose Clamp	3	3	4	4	6	6
13	572 1308	Fuel Tank Cap	1	1	1	1	1	1
14	414 0775	Gasket	1	1	1	1	1	1
15	572 1305	Fuel Tank Gauge	1	1	1	1		
16	402 0025	Carburator	1	1				
16	403 0029	Carburator			2	2	3	3
17	404 0157	Isolating Sleeve	2	2	4	4	6	6
18	414 0847	Throttle Rod			1	1		
18	414 0876	Throttle Rod					1	1
19	414 0112	Fuel Filter	1	1				
20	404 0051	Strainer Cover			2	2	3	3
21	404 0052	Screw			2	2	3	3
22	570 1208	Intake Funnel	1	1	2	2	3	3
23	337 7100	Screw	3	3	6	6	9	9
24	414 0906	Throttle Cable & Housing	1	1	1	1	1	1
25	385 8022	Nut	2	2	2	2	2	2
26	399 8010	Washer					2	2
27	414 0963	Plug					1	1





ITEM NO.	PART NO.	DESCRIPTION	QUANTITY
			246
1	414 0784	Fuel Tank	1
2	414 0247	Protector Strip (Mult 12")	AR
3	513-0094	Retaining Strip	1
4	362 1105	Metal Screw	1
5	572 1301	Male Connector	1
6	414 0511	Fuel Line (Mult 12")	AR
7	408 8004	Clamp	1
8	414 0130	Fuel Line (Mult 12")	AR
9	414 0178	Isolating Line (Mult 12")	AR
10	414 0112	Fuel Filter	1
11	403 0013	Carburetor	1
12	404 0157	Isolating Sleeve	2
13	570 1208	Funnel	1
14	337 7100	Screw	3
15	572 1308	Fuel Tank Cap	1
16	414 0775	Gasket	1
17	414 0128	Hose Clamp	1
18	414 0314	Throttle Cable	1
19	414 0313	Housing	1
20	414 0452	Cable Protector (Mult 12")	AR





CARBURATOR

SECTION 2-4

HD
HR



CARBURETOR

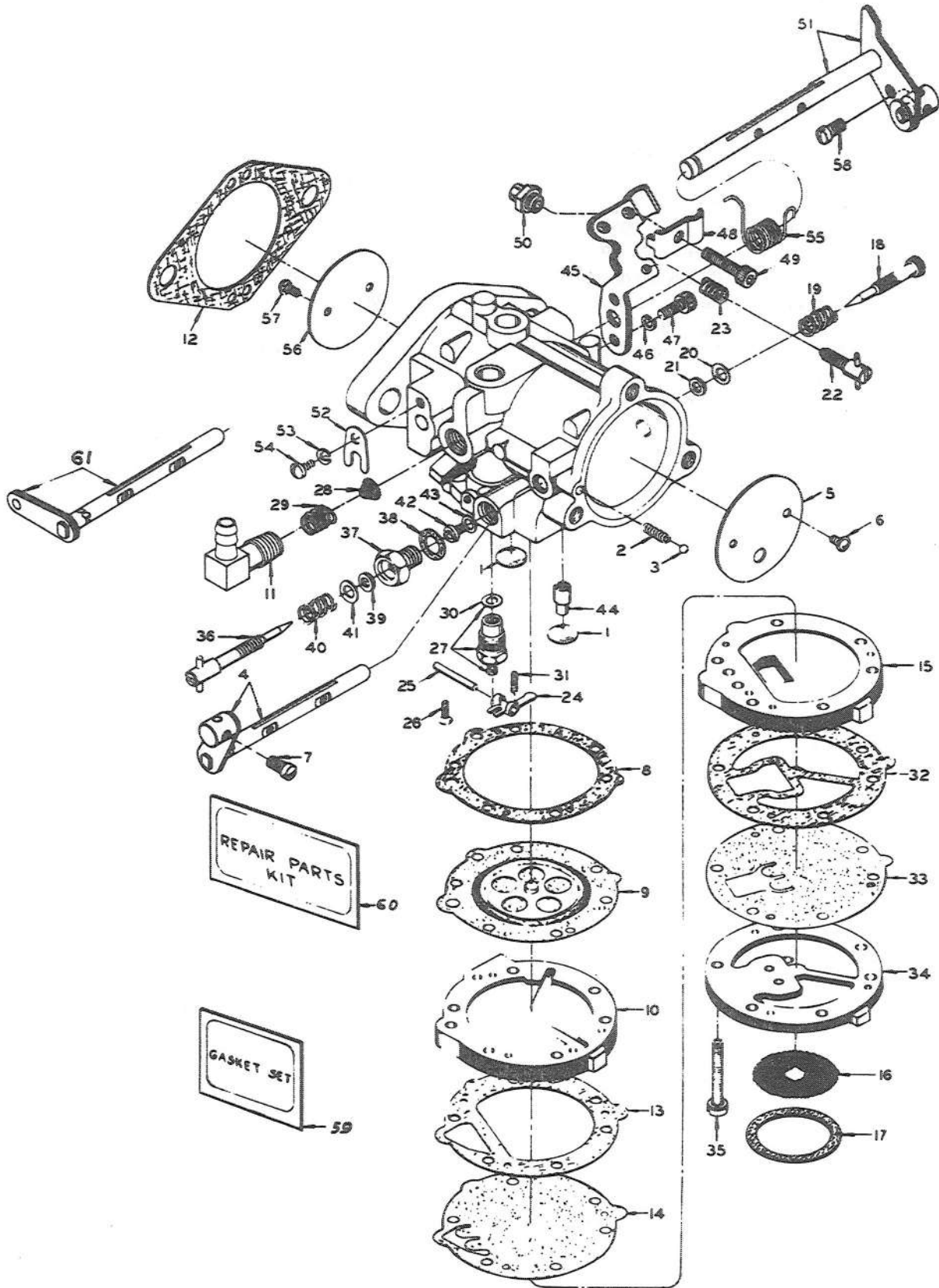
YEAR	VEHICLE	MODEL TILLOTSON	PART NO.	SECTION 2-4 PAGE
61 to 65	All Models	HL-233B	403-0005	11
66	Olympique 200	HL-233B	403-0005	11
66	Olympique 250AS	HR-4A	403-0003	7
66	Super Olympique 300 - Alpine 300	HR-1A	403-0002	7
67	Chalet - Olympique 250	HL-233B	403-0005	11
67	Olympique 300 - 300E - Alpine 300	HR-7A	403-0006	7
67	Olympique 370 - Alpine 370	HD-4A	403-0004	15
68	Olympique 250	HL-233B	403-0005	11
68	Olympique 300 - 300E - Alpine 300	HR-7A	403-0006	7
68	Olympique 370 - 370E - Alpine 370	HD-8A	403-0007	13
69	Olympique 12/3	HR-7A	403-0006	7
69	Olympique 320 - 320E	HR-17C	403-0018	5
69	Olympique 370 - Alpine 370 - 370E	HD-8B	403-0009	13
69	Olympique 12/3SS - 320SS	HD-22A	403-0015	3
69	Nordic 371 - 371E	HR-16B	403-0012	5
69	TNT 399	HD-21A	403-0014	3
69	Alpine 640E - 640ER - TNT 669	HD-20A	403-0013	3
70	Olympique 12/3	HR-37A	403-0016	5
70	Olympique 335 - 335E	HR-17C	403-0018	5
70	Olympique 399	HR-16B	403-0012	5
70	Nordic 399 - 399E	HR-40A	403-0017	5
70	Nordic 640 - TNT 640 - 775 - Blizzard 636 - 776	HD-20A	403-0013	3
70	TNT 399	HD-21A	403-0014	3
70	TNT 292 - 340 - Blizzard 292 - 340			
	(280 - NOT AVAILABLE IN AMERICA)	HD-22A	403-0015	3
70 - 71	Scandic	HR-69A	409-0019	9
70	Blizzard 436	HR-77A	403-0021	5
71	Olympique 300	HR-74A	403-0022	5
71	Olympique 335 - 335E	HR-75A	403-0023	7
71	Olympique 399 - 399E	HR-76A	403-0024	7
71	Nordic 399 - 399E - Valmont 399R - 399ER	HR-40A	403-0017	5
71	Nordic 640 - TNT 640 - 775 Alpine 640ER	HD-20B	403-0026	3
71	TNT 440	HD-73A	403-0030	17
71	TNT 292 - 340	HD-22B	403-0025	3
71	Elan 250 - 200E	HR-73A	403-0020	9
71	Alpine 399R - 399ER	HR-16B	403-0012	5
71	Valmont 640ER	HD-66A	403-0028	17



CARBURETOR

MODEL TILLOTSON	PART NO.	YEAR - VEHICLE
		Section 2-4 Page 3
HD-20A	403-0013	69 Alpine 640E - 640ER - T'NT 669 - 70 Nordic 640 - T'NT 640 - 775 Blizzard 636 - 776
HD-21A	403-0014	67 T'NT 399 - 70 - T'NT 399
HD-22A	403-0015	69 - 12/3SS - 320SS - 70 T'NT 292 - 340 - Blizzard 292 340 - (280 Not Available in America)
HD-20B	403-0026	71 Nordic 640E - T'NT 640 - 775 Alpine 640ER
HD-73A	403-0030	71 T'NT 440
HD-22B	403-0025	71 T'NT 292 - 340
		Section 2-4 Page 5
HR-17C	403-0018	69 Olympique 320-320E - 70 Olympique 335-335E
HR-16B	403-0012	69 Nordic 371-371E - 70 Olympique 399- 71 Alpine 399R-399ER
HR-37A	403-0016	70 - 12/3
HR-40A	403-0017	70 Nordic 399-399E - 71 Nordic 399-399E 71 Valmont 399R-399ER
HR-74A	403-0022	71 Olympique 300
HR-77A	403-0021	70 Blizzard 436 - 71 Blizzard 436
		Section 2-4 Page 7
HR-1A	403-0002	66 Super Olympique 300 Alpine 300
HR-4A	403-0003	66 Olympique 250AS
HR-7A	403-0006	67-68 Olympique 300-300E - Alpine 300-69 Olympique 12/3
HR-75A	403-0023	71 Olympique 335-335E
HR-76A	403-0024	71 Olympique 399-399E
		Section 2-4 Page 9
HR-69A	403-0019	70 Scandic - 71 Scandic
HR-73A	403-0020	71 Elan 250 - 250E
		Section 2-4 Page 11
HL-233B	403-0005	61-62-63-64-65 All Models - 66 Olympique 250 67 Chalet - Olympique 250 - 68 Olympique 250
		Section 2-4 Page 13
HD-8A	403-0007	68 Olympique 370-370E - Alpine 370
HD-8B	403-0009	69 Olympique 370 Alpine 370-370E
		Section 2-4 Page 15
HD-4A	403-0004	67 Olympique 370 - Alpine 370
HD-66A	403-0028	71 Valmont 640ER





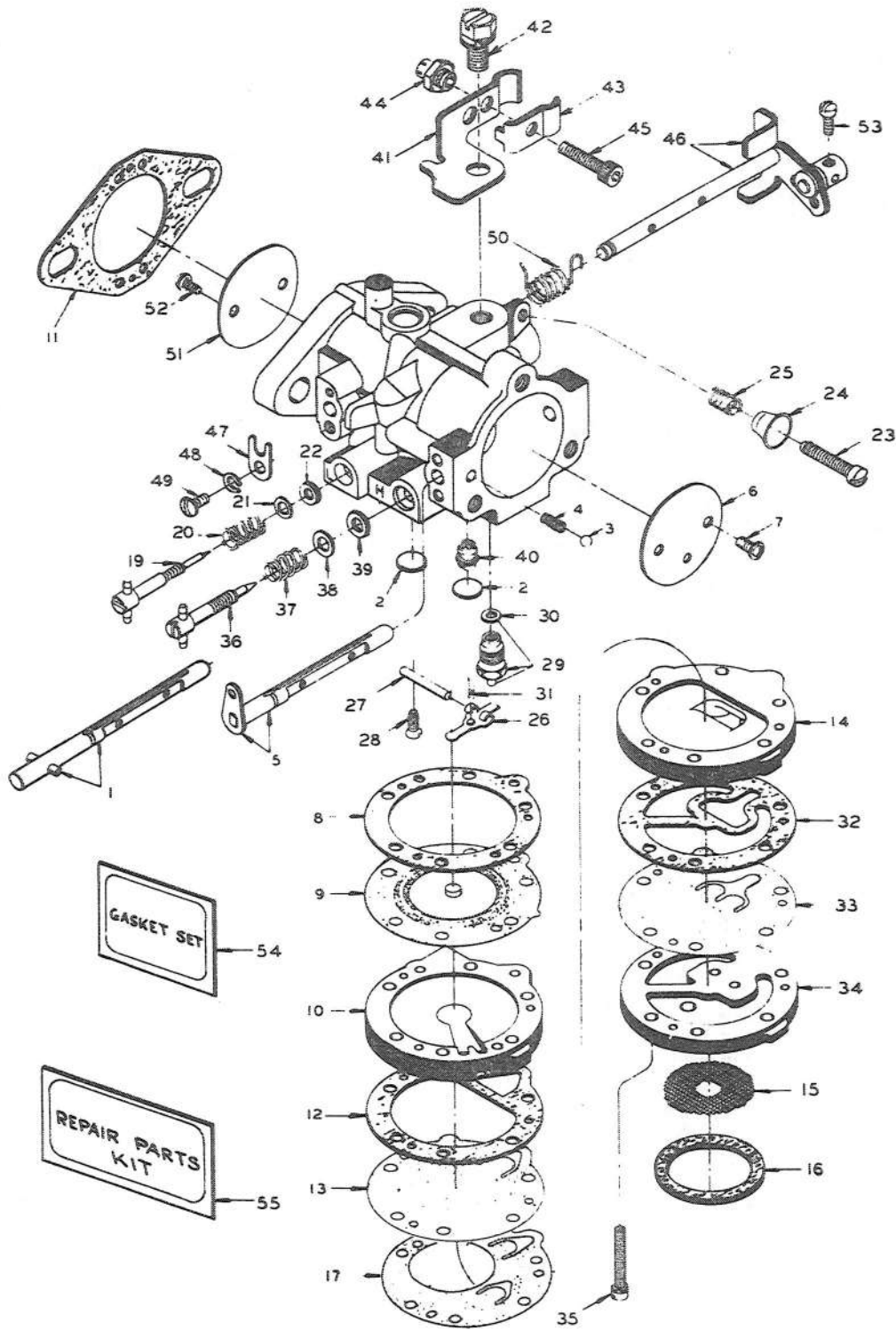
CARBURETOR

HD

ITEM NO.	PART NO.	DESCRIPTION	QUANTITY					
			20A	21A	22A	20B	21B	22B
1	404 0011	*Body Channel Welch Plug	2	2	2	2	2	2
2	404 0013	Choke Friction Ball	1	1	1	1	1	1
3	404 0014	Choke Friction Spring	1	1	1	1	1	1
4	404 0246	Choke Shaft & Lever	1			1		
5	404 0180	Choke Shutter	1	1	1	1	1	1
6	404 0028	Choke Shutter Screw	2	2	2	2	2	2
7	404 0220	Choke Wire Ret. Screw	1			1		
8	404 0031	Diaphragm Gasket (K)	1	1	1	1	1	1
9	404 0033	*Diaphragm (K)	1	1	1	1	1	1
10	404 0165	Diaphragm Cover	1	1	1	1	1	1
11	404 0247	Elbow Connector	1	1	1	1	1	1
12	404 0212	Flange Gasket	1	1	1	1	1	1
13	404 0166	Fuel Pump Gasket (K)	1	1	1	1	1	1
14	404 0167	* Fuel Pump Diaphragm (K)	1	1	1	1	1	1
15	404 0168	Fuel Pump Body	1	1	1	1	1	1
16	404 0181	*Fuel Strainer Screen	1	1	1	1	1	1
17	404 0050	Fuel Strainer Cover Gasket	1	1	1	1	1	1
18	404 0054	*Idle Mixture Screw	1	1	1	1	1	1
19	404 0068	*Idle Mixture Screw Spring	1	1	1	1	1	1
20	404 0058	Idle Mixture Screw Washer	1	1	1	1	1	1
21	404 0063	Idle Mixture Screw Packing	1	1	1	1	1	1
22	404 0248	*Idle Speed Screw Ass'y	1	1	1	1	1	1
23	404 0067	*Idle Speed Screw Spring	1	1	1	1	1	1
24	404 0069	*Inlet Control Lever	1	1	1			
24	404 0070	*Inlet Control Lever				1	1	1
25	404 0072	*Inlet Control Lever Pin	1	1	1	1	1	1
26	404 0073	*Inlet Control Lever Pin Ret. Screw	1	1	1	1	1	1
27	404 0229	*Inlet Needle, Seat & Gasket	1	1	1			
27	404 0271	*Inlet Needle, Seat & Gasket				1	1	1
28	404 0235	*Inlet Screen	1	1	1	1	1	1
29	404 0236	*Inlet Screen Ret. Spring	1	1	1	1	1	1
30	404 0080	Inlet Seat Gasket	1	1	1	1	1	1
31	404 0081	*Inlet Tension Spring	1	1	1	1	1	1
32	404 0170	Inlet Valve Gasket (K)	1	1	1	1	1	1
33	404 0171	*Inlet Valve Diaphragm (K)	1	1	1	1	1	1
34	404 0213	Inlet Valve Body & Strainer	1	1	1	1	1	1
35	404 0173	Inlet Valve Body Screw & Lock Washer	1	1	1	1	1	1
36	404 0055	*High Speed Mixture Screw	1	1	1	1	1	1
37	404 0147	High Speed Mixture Screw Gland	1	1	1	1	1	1
38	404 0144	High Speed Mixture Screw Gland Gasket	1	1	1	1	1	1
39	404 0063	High Speed Mixture Screw Packing	1	1	1	1	1	1
40	404 0068	*High Speed Mixture Screw Spring	1	1	1	1	1	1
41	404 0058	High Speed Mixture Screw Washer	1	1	1	1	1	1
42	404 0223	*Main Fuel Jet (.1015)	1	1		1	1	
42	404 0249	*Main Fuel Jet (.089)			1			1
43	404 0174	Main Fuel Jet Gasket	1	1	1	1	1	1
44	404 0089	Nozzle Check Valve	1	1	1	1	1	1
45	404 0250	Throttle Cable Bracket	1	1		1	1	1
45	404 0224	Idle Speed Screw Bracket			1			
46	404 0105	Throttle Cable Bracket Lock Washer	2		2	2	2	2
47	404 0251	Throttle Cable Bracket Ret. Screw	2		2	2	2	2
47	404 0048	Idle Speed Screw Bracket Ret. Screw		2				
48	404 0215	Throttle Cable Clamp	1		1	1	1	1
49	404 0216	Throttle Clamp Ret. Screw	1		1	1	1	1
50	404 0217	Throttle Clamp Ret. Nut	1		1	1	1	1
51	404 0252	Throttle Shaft & Lever	1	1	1	1	1	1
52	404 0104	Throttle Shaft Clip	1	1	1	1	1	1
53	404 0105	Throttle Shaft Clip Lock Washer	1	1	1	1	1	1
54	404 0106	Throttle Shaft Clip Ret. Screw	1	1	1	1	1	1
55	404 0219	*Throttle Shaft Return Spring	1	1	1	1	1	1
56	404 0116	Throttle Shutter	1	1	1	1	1	1
57	404 0028	*Throttle Shutter Screw	2	2	2	2	2	2
58	404 0220	*Throttle Wire Ret. Screw	1	1	1	1	1	1
59	404 0221	*Gasket Set	1	1	1	1	1	1
60	404 0222	Repair Parts Kit	1					
60	404 0226	Repair Parts Kit		1				
60	404 0228	Repair Parts Kit			1			
60	404 0272	Repair Parts Kit				1	1	
60	404 0273	Repair Parts Kit						1
61	404 0210	Choke Shaft & Lever		1	1		1	1
	404 0281	Diaphragm & Gasket	1	1	1	1	1	1

* Indicates contents of Repair Parts Kit.
(K) Indicates contents of Diaphragm & Gasket Set.





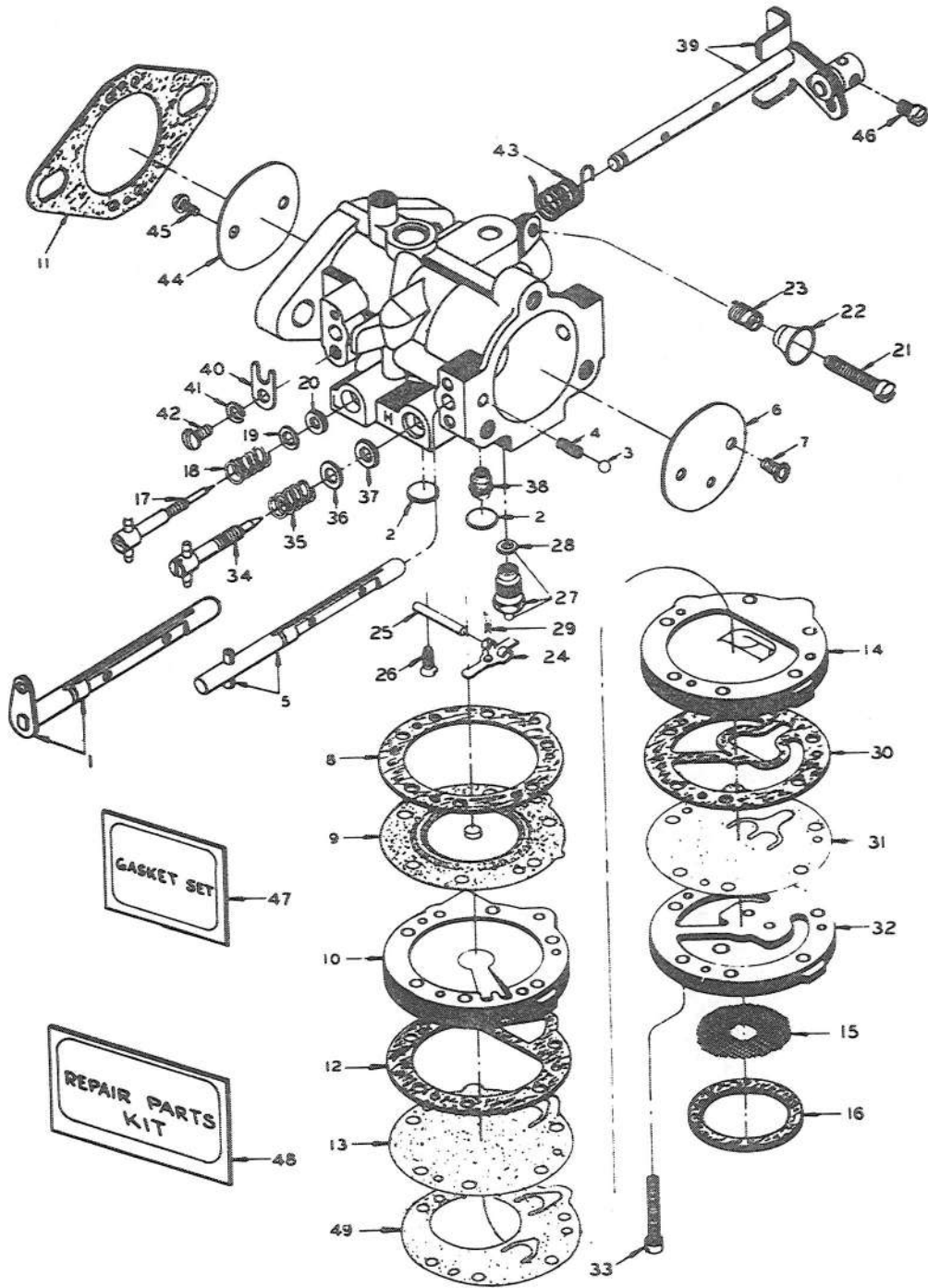
CARBURETOR

HR

ITEM NO.	PART NO.	DESCRIPTION	QUANTITY					
			17C	16B	37A	40A	74A	77A
1	404 0238	Choke Shaft				1		
1	404 0267	Choke Shaft & Pin					1	
2	404 0010	*Body Channel Welch Plug	2	2	2	2	2	2
3	404 0013	Choke Friction Ball	1	1	1	1	1	1
4	404 0014	Choke Friction Spring	1	1	1	1	1	1
5	404 0186	Choke Shaft & Lever	1	1				1
5	404 0020	Choke Shaft & Lever			1			
6	404 0187	Choke Shutter	1	1		1		1
6	404 0026	Choke Shutter			1			
6	404 0268	Choke Shutter					1	
7	404 0028	Choke Shutter Screw & Lock Washer	2	2	2	2	2	2
8	404 0030	Diaphragm Gasket (K)	1	1	1	1	1	1
9	404 0032	*Diaphragm (K)	1	1	1	1	1	1
10	404 0188	Diaphragm Cover	1	1	1	1	1	1
10	404 0036	Diaphragm Cover			1		1	
11	404 0039	Flange Gasket	3	3	3	3	2	2
12	404 0191	Fuel Pump Gasket (K)	1	1		1		1
12	404 0041	Fuel Pump Gasket (K)			1		1	
13	404 0190	*Fuel Pump Diaphragm (K)	1	1		1		1
13	404 0043	*Fuel Pump Diaphragm (Pulse) (K)			1		1	
14	404 0189	Fuel Pump Body	1	1		1		1
14	404 0046	Fuel Pump Body			1		1	
15	440 0181	*Fuel Strainer Screen	1	1	1	1	1	1
16	404 0050	Fuel Strainer Gasket	1	1	1	1	1	1
17	404 0044	*Fuel Pump Diaphragm (Valve) (K)			1		1	
19	404 0192	*Idle Mixture Screw	1	1		1		1
19	404 0061	*Idle Mixture Screw			1		1	
20	404 0056	*Idle Mixture Screw Spring	1	1	1	1	1	1
21	404 0057	Idle Mixture Screw Washer	1	1	1	1	1	1
22	404 0059	Idle Mixture Screw Packing	1	1	1	1	1	1
23	404 0066	*Idle Speed Screw	1	1	1	1	1	1
24	404 0158	Idle Speed Screw Cup	1	1	1	1	1	1
25	404 0067	*Idle Speed Screw Spring	1	1	1	1	1	1
26	404 0069	*Inlet Control Lever	1	1	1	1	1	1
27	404 0072	Inlet Control Fulcrum Pin	1	1	1	1	1	1
28	404 0073	*Fulcrum Pin Ret. Screw	1	1	1	1	1	1
29	404 0159	*Inlet Needle Seat & Gasket	1	1	1	1	1	1
30	404 0079	Inlet Seat Gasket	1	1	1	1	1	1
31	404 0081	*Inlet Tension Spring	1	1	1	1	1	1
32	404 0196	Inlet Valve Gasket (K)	1	1	1	1	1	1
33	404 0195	*Inlet Valve Diaphragm (K)	1	1	1	1	1	1
34	404 0193	Inlet Valve Body	1	1	1	1	1	1
35	404 0194	Inlet Valve Body Ret. Screw	6	6		6		6
35	404 0047	Fuel Pump Body Screw & Lock Washer			6		6	
36	404 0202	*High Speed Mixture Screw	1	1		1		1
36	404 0062	*High Speed Mixture Screw			1		1	
37	404 0068	*High Speed Mixture Screw Spring	1	1	1	1	1	1
38	404 0058	High Speed Mixture Screw Washer	1	1	1	1	1	1
39	404 0063	High Speed Mixture Screw Packing	1	1	1	1	1	1
40	404 0088	*Nozzle Chack Valve	1	1	1	1	1	1
41	404 0264	Throttle Cable Bracket						1
42	404 0265	Bracket Ret. Screw & Lock Washer						1
43	404 0215	Throttle Cable Clamp						1
44	404 0217	Throttle Clamp Ret. Nut						1
45	404 0216	Throttle Clamp Ret. Screw						1
46	404 0232	Throttle Shaft & Lever	1	1	1	1	1	1
47	404 0102	Throttle Shaft Clip	1	1	1	1	1	1
48	404 0105	Shaft Clip Lock Washer	1	1	1	1	1	1
49	404 0106	Shaft Clip Ret. Screw	1	1	1	1	1	1
50	404 0111	*Shaft Return Spring	1	1	1	1	1	1
51	404 0198	Throttle Shutter	1	1		1		1
51	404 0117	Throttle Shutter			1		1	
52	404 0028	*Shutter Screw & Lock Washer	2	2	2	2	2	2
53	404 0220	*Throttle Wire Ret. Screw	1	1	1	1	1	1
54	404 0199	*Gasket & Packing Set		1				1
54	404 0203	*Gasket & Packing Set	1			1	1	
54	404 0177	*Gasket & Packing Set			1		1	
55	404 0234	Repair Parts Kit	1			1		
55	404 0206	Repair Parts Kit		1				1
55	404 0162	Repair Parts Kit			1			1
	404 0282	Diaphragm & Gasket Set	1	1	1	1	1	1

* Indicates contents of Repair Parts Kit
(K) Indicates Contents of Diaphragm & Gasket Set.





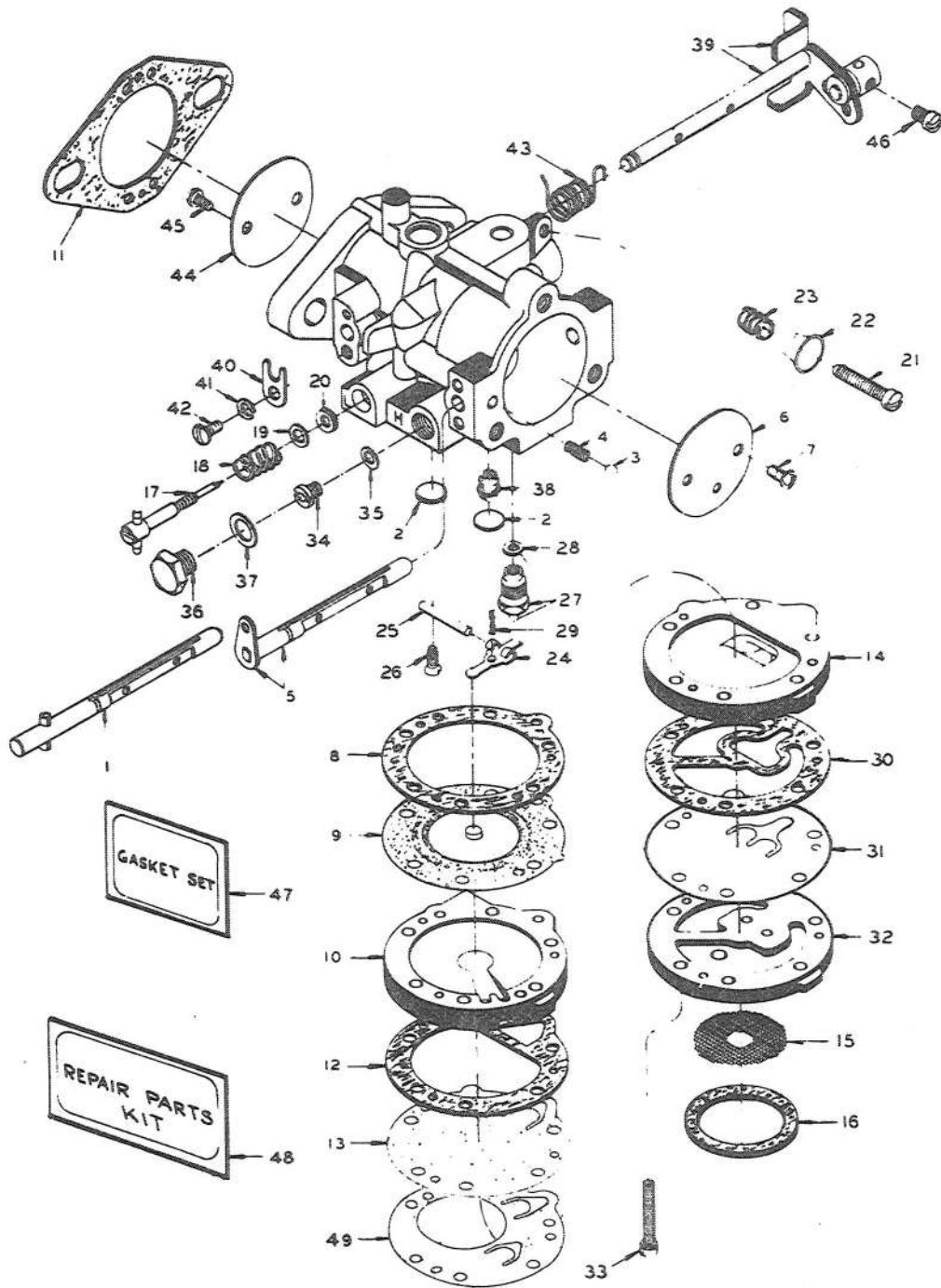
CARBURETOR

HR

ITEM NO.	PART NO.	DESCRIPTION	QUANTITY				
			1A	4A	7A	75A	76A
1	404 0020	Choke Shaft & Lever	1	1	1		
2	404 0010	Body Channel Welch Plug	2	2	2	2	2
3	404 0013	Choke Friction Ball	1	1	1	1	1
4	404 0014	Choke Friction Spring	1	1	1	1	1
5	404 0267	Choke Shaft & Pin				1	1
6	404 0026	Choke Shutter	1	1	1		
6	404 0187	Choke Shutter				1	1
7	404 0028	Shutter Screw & Lockwasher	2	2	2	2	2
8	404 0030	Diaphragm Gasket (K)	1	1	1	1	1
9	404 0032	*Diaphragm (K)	1	1	1	1	1
10	404 0036	Diaphragm Cover	1	1	1		
10	404 0188	Diaphragm Cover				1	1
11	404 0039	Flange Gasket	1	1	1	1	1
12	404 0041	Fuel Pump Gasket (K)	1	1	1		
12	404 0191	Fuel Pump Gasket (K)				1	1
13	404 0043	*Fuel Pump Diaphragm (Pulse) (K)	1	1	1		
13	404 0190	*Fuel Pump Diaphragm (K)				1	1
14	404 0046	Fuel Pump Body	1	1	1		
14	404 0189	Fuel Pump Body				1	1
15	404 0049	*Fuel Strainer Screen	1	1			
15	404 0181	*Fuel Strainer Screen			1	1	1
16	404 0050	Fuel Strainer Cover Gasket	1	1	1	1	1
17	404 0061	*Idle Mixture Screw	1	1	1		
17	404 0192	*Idle Mixture Screw				1	1
18	404 0056	*Idle Mixture Screw Spring	1	1	1	1	1
19	404 0057	Idle Mixture Screw Washer	1	1	1	1	1
20	404 0059	Idle Mixture Screw Packing	1	1	1	1	1
21	404 0066	*Idle Speed Screw	1	1	1	1	1
22	404 0158	Idle Speed Screw Cup	1	1	1	1	1
23	404 0067	*Idle Speed Screw Spring	1	1	1	1	1
24	404 0069	*Inlet Control Lever	1	1	1	1	1
25	404 0072	*Inlet Control Lever Fulcrum Pin	1	1	1	1	1
26	404 0073	*Fulcrum Pin Ret. Screw	1	1	1	1	1
27	404 0075	*Inlet Needle, Seat & Gasket	1	1			
27	404 0159	*Inlet Needle, Seat & Gasket			1	1	1
28	404 0079	Inlet Seat Gasketq	1	1	1	1	1
29	404 0082	*Inlet Tension Spring	1	1			
29	404 0081	*Inlet Tension Spring			1	1	1
30	404 0196	Inlet Valve Gasket (K)				1	1
31	404 0195	*Inlet Valve Diaphragm (K)				1	1
32	404 0193	Inlet Valve Body				1	1
33	404 0047	Ret. Screw & Lockwasher	6	6	6		
33	404 0194	Ret. Screw				6	6
34	404 0062	*High Speed Mixture Screw	1	1	1		
34	404 0202	*High Speed Mixture Screw				1	1
35	404 0068	*High Speed Mixture Screw Spring	1	1	1	1	1
36	404 0058	High Speed Mixture Screw Washer	1	1	1	1	1
37	404 0063	High Speed Mixture Screw Packing	1	1	1	1	1
38	404 0088	*Nozzle Check Valve	1	1	1	1	1
39	404 0100	Throttle Shaft & Lever	1	1	1		
39	404 0232	Throttle Shaft & Lever				1	1
40	404 0102	Throttle Shaft Clip	1	1	1	1	1
41	404 0105	Throttle Shaft Clip Lock Washer	1	1	1	1	1
42	404 0106	Throttle Shaft Clip Ret. Screw	1	1	1	1	1
43	404 0111	*Throttle Shaft Return Spring	1	1	1	1	1
44	404 0117	Throttle Shutter	1	1	1		
44	404 0198	Throttle Shutter				1	1
45	404 0028	*Throttle Shutter Screw & Lock Washer	2	2	2	2	2
46	404 0134	*Throttle Wire Ret. Screw	1	1	1		
46	404 0220	*Throttle Wire Ret. Screw				1	1
47	404 0121	*Gasket & Packing Set	1	1			
47	404 0177	*Gasket & Packing Set			1		
47	404 0203	*Gasket & Packing Set				1	1
48	404 0130	Repair Parts Kit	1	1			
48	404 0162	Repair Parts Kit			1		
48	404 0234	Repair Parts Kit				1	1
49	404 0044	*Fuel Pump Diaphragm (Valve) (K)	1	1	1		
	404 0282	Diaphragm & Gasket Set	1	1	1	1	1

* Indicates Contents of Repair Parts Kit
(K) Indicates Contents of Diaphragm & Gasket Set





CARBURETOR

HR

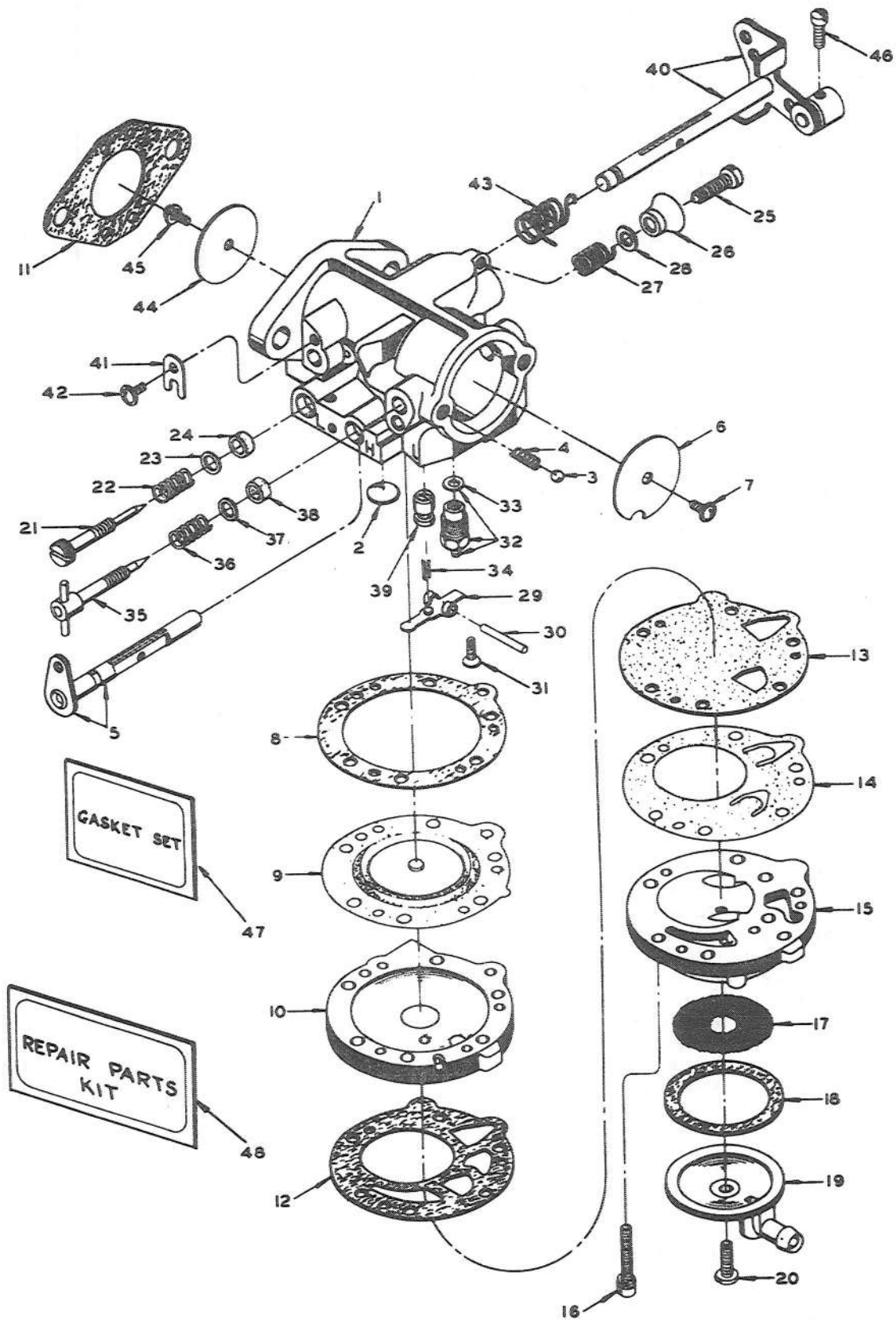
ITEM NO.	PART NO.	DESCRIPTION	QUANTITY	
			69A	73A
1	404 0267	Choke Shaft & Pin		1
2	404 0010	*Body Channel Welch Plug	2	2
3	404 0013	Choke Friction Ball	1	1
4	404 0014	Choke Friction Spring	1	1
5	404 0186	Choke Shaft & Lever	1	
6	404 0187	Choke Shutter	1	
6	404 0268	Choke Shutter		1
7	404 0028	Choke Shutter Screw & Lock Washer	1	1
8	404 0030	Diaphragm Gasket (K)	1	1
9	404 0032	*Diaphragm (K)	1	1
10	404 0188	Diaphragm Cover	1	
10	404 0036	Diaphragm Cover		1
11	404 0039	Flange Gasket	2	2
12	404 0191	Fuel Pump Gasket (K)	1	
12	404 0041	Fuel Pump Gasket (K)		1
13	404 0190	*Fuel Pump Diaphragm (K)	1	
13	404 0043	*Fuel Pump Diaphragm (Pulse) (K)		1
14	404 0189	Fuel Pump Body	1	
14	404 0046	Fuel Pump Body		1
15	404 0181	*Fuel Strainer Screen	1	1
16	404 0050	Fuel Strainer Cover Gasket	1	1
17	404 0192	*Idle Mixture Screw	1	1
18	404 0056	*Idle Mixture Screw Spring	1	1
19	404 0057	Idle Mixture Screw Washer	1	1
20	404 0059	Idle Mixture Screw Packing	1	1
21	404 0066	*Idle Speed Screw	1	1
22	404 0158	Idle Speed Screw Cup	1	1
23	404 0067	*Idle Speed Screw Spring	1	1
24	404 0069	*Idle Control Lever	1	1
25	404 0072	Inlet Control Lever Fulcrum Pin	1	1
26	404 0073	*Fulcrum Pin Ret. Screw	1	1
27	404 0159	*Inlet Needle, Seat & Gasket	1	1
28	404 0079	Inlet Seat Gasket	1	1
29	404 0081	*Inlet Tension Spring	1	1
30	404 0196	Inlet Valve Gasket (K)	1	
31	404 0195	*Inlet Valve Diaphragm (K)	1	
32	404 0193	Inlet Valve Body	1	
33	404 0194	Ret. Screw	6	
33	404 0047	Ret. Screw & Lock Washer		6
34	404 0254	*Main Fuel Jet (.049)	1	
34	404 0274	*Main Fuel Jet (.042)		1
35	404 0260	Main Fuel Jet Gasket	1	1
36	404 0139	Main Fuel Jet Plug Screw	1	1
37	404 0142	Jet Plug Screw Gasket	1	1
38	404 0088	*Nozzle Check Valve	1	1
39	404 0232	Throttle Shaft & Lever	1	1
40	404 0102	Throttle Shaft Clip	1	1
41	404 0105	Throttle Shaft Clip Lock Washer	1	1
42	404 0106	Throttle Shaft Clip Ret. Screw	1	1
43	404 0111	*Throttle Shaft Return Spring	1	1
44	404 0198	Throttle Shutter	1	
44	404 0117	Throttle Shutter		1
45	404 0028	*Throttle Shutter Screw & Lock Washer	2	2
46	404 0220	*Throttle Wire Ret. Screw	1	1
47	404 0261	*Gasket & Packing Set	1	
47	404 0276	*Gasket & Packing Set		1
48	404 0262	Repair Parts Kit	1	
48	404 0277	Repair Parts Kit		1
49	404 0044	*Fuel Pump Diaphragm (Valve) (K)		1
	404 0282	Diaphragm & Gasket Set	1	1

* Indicates contents of Repair Parts Kit
(K) Indicates Contents of diaphragm & gasket Set



CARBURETOR

HL



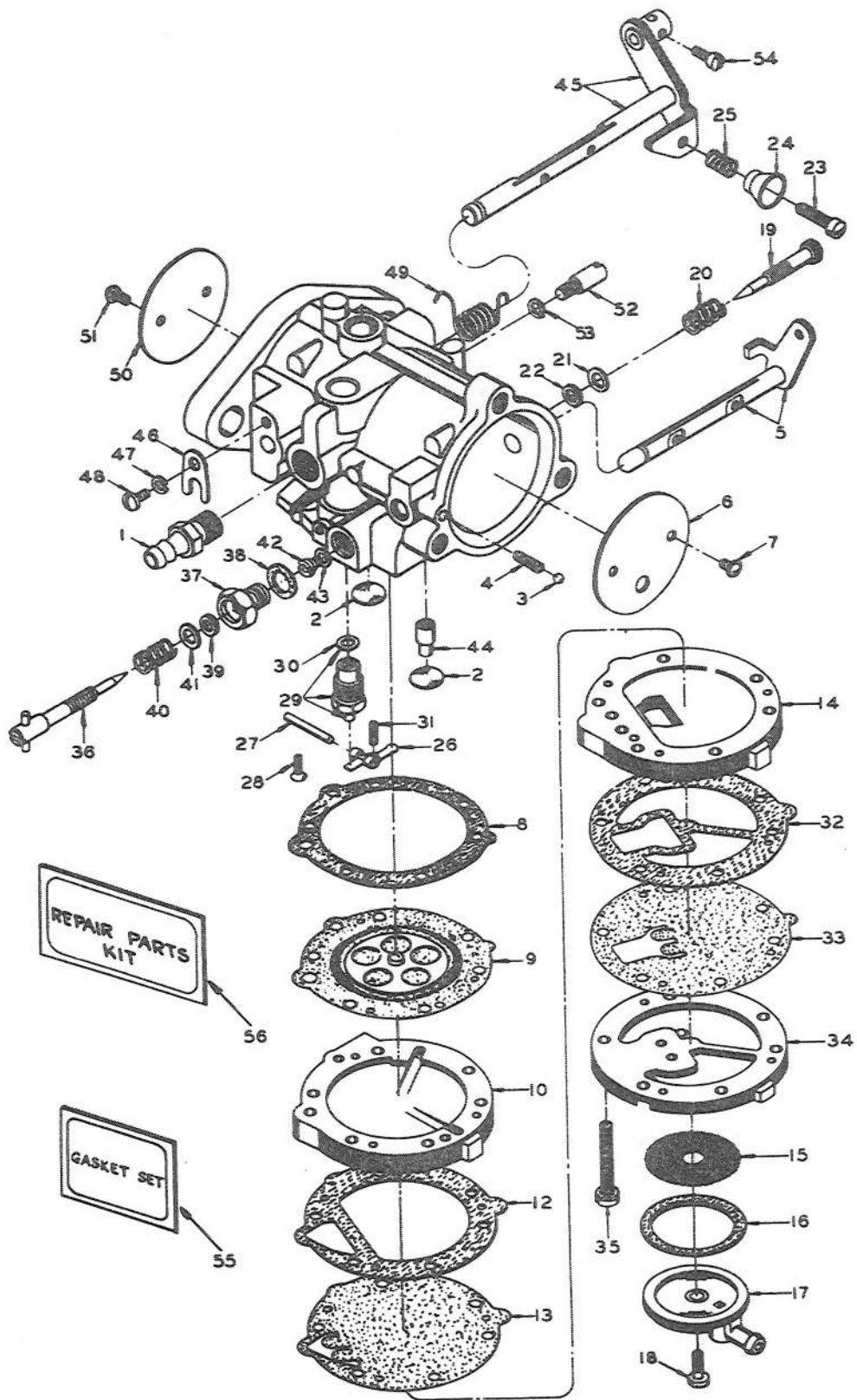
CARBURETOR

HL

ITEM NO.	PART NO.	DESCRIPTION	QUANTITY
			HL233B
1	403 0005	Carburator Ass'y	1
2	404 0010	*Body Channel Welch Plug	1
3	404 0013	Choke Friction Ball	1
4	404 0014	Choke Friction Spring	1
5	404 0019	Choke Shaft & Lever	1
6	404 0024	Choke Shutter	1
7	404 0028	Choke Shutter Screw & Lockwasher	1
8	404 0030	Diaphragm Gasket	1
9	404 0032	*Diaphragm	1
10	404 0035	Diaphragm Cover	1
11	404 0038	Flange Gasket	1
12	404 0041	Fuel Pump Gasket	1
13	404 0043	*Fuel Pump Diaphragm (Pulse)	1
14	404 0044	*Fuel Pump Diaphragm (Valve)	1
15	404 0046	Fuel Pump Body	1
16	404 0047	Fuel Pump Body & Lockwasher	6
17	404 0049	*Fuel Strainer Screen	1
18	404 0050	Fuel Strainer Cover Gasket	1
19	404 0051	Fuel Strainer Cover	1
20	404 0052	*Fuel Strainer Cover Ret. Screw	1
21	404 0053	*Idle Mixture Screw	1
22	404 0056	*Idle Mixture Screw Spring	1
23	404 0057	Idle Mixture Screw Washer	1
24	404 0059	Idle Mixture Screw Packing	1
25	404 0065	*Idle Speed Screw	1
26	404 0158	Idle Speed Screw Cup	1
27	404 0067	*Idle Speed Screw Spring	1
28	404 0146	Idle Speed Screw Washer	1
29	404 0069	*Inlet Control Lever	1
30	404 0072	*Inlet Control Lever Fulcrum Pin	1
31	404 0073	*Inlet Control Lever Pin Ret. Screw	1
32	404 0159	*Inlet Needle, Seat & Gasket	1
33	404 0079	Inlet Seat Gasket	1
34	404 0081	*Inlet Tension Spring	1
35	404 0060	*High Speed Mixture Screw	1
36	404 0056	*High Speed Mixture Screw Spring	1
37	404 0057	High Speed Mixture Screw Washer	1
38	404 0059	High Speed Mixture Screw Packing	1
39	404 0087	Nozzle Check Valve	1
40	404 0099	Throttle Shaft & Lever	1
41	404 0103	Throttle Shaft Clip	1
42	404 0027	Throttle Shaft Clip Ret. Screw	1
43	404 0109	*Throttle Shaft Return Spring	1
44	404 0114	Throttle Shutter	1
45	404 0028	*Throttle Shutter Screw & Lockwasher	1
46	404 0134	*Throttle Wire Ret. Screw	1
47	404 0119	*Gasket & Packing Set	1
48	404 0160	Repair Parts Kit	1

* Indicates Contents of Repair Parts Kit.





CARBURETOR

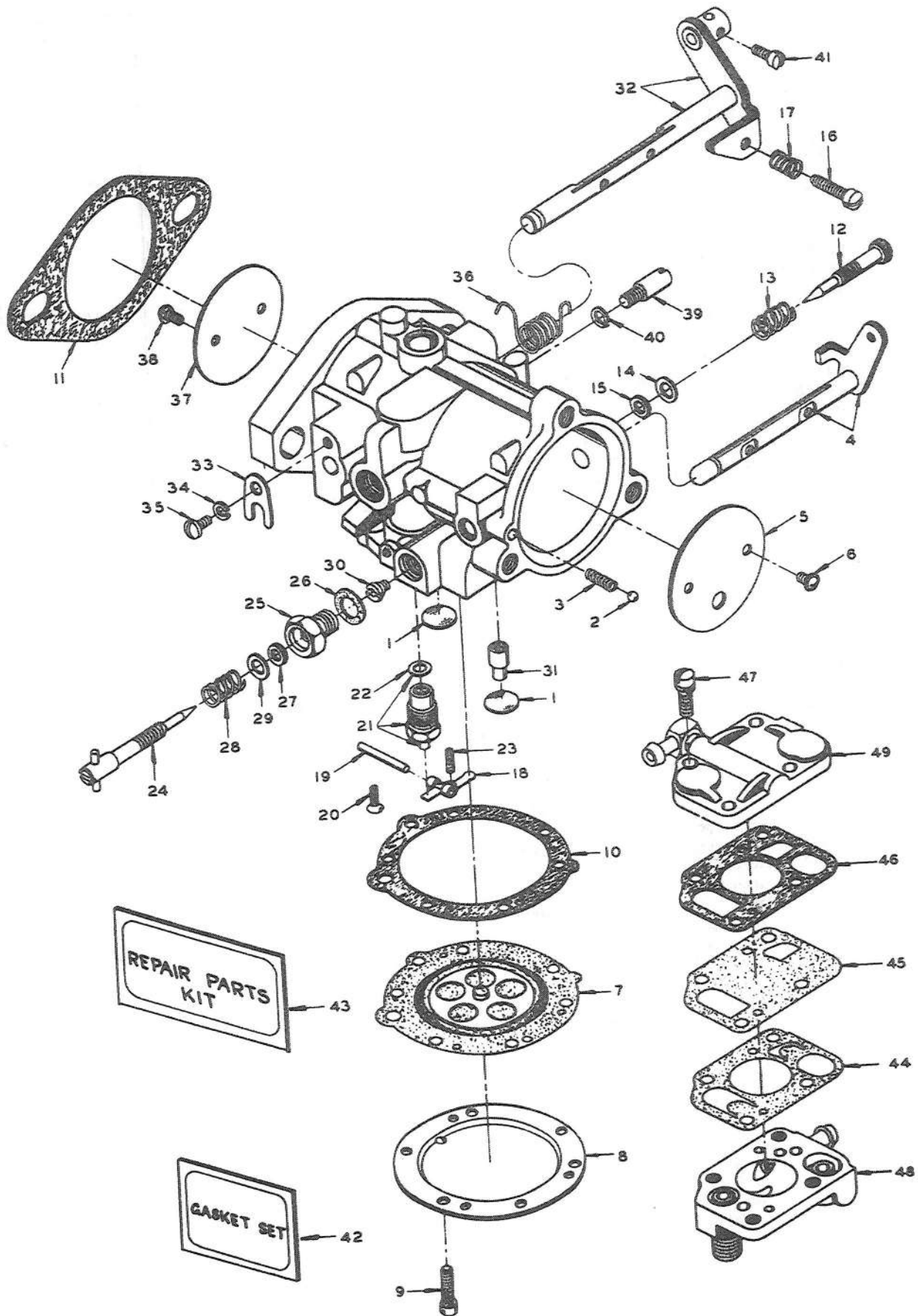
HD

ITEM NO.	PART NO.	DESCRIPTION	QUANTITY	
			HD8A	HD8B
1	404 0164	Body Channel Plug Screw	1	
1	404 0183	Body Channel Line Connection		1
2	404 0011	Body Channel Welch Plug	2	2
3	404 0013	Choke Friction Ball	1	1
4	404 0014	Choke Friction Spring	1	1
5	404 0021	Choke Shaft & Lever	1	1
6	404 0025	Choke Shutter	1	
6	404 0180	Choke Shutter		1
7	404 0028	Choke Shutter Screw	2	2
8	404 0031	Diaphragm Gasket (K).	1	1
9	404 0033	*Diaphragm (K)	1	1
10	404 0165	Diaphragm Cover	1	1
11	404 0040	Flange Gasket	1	
11	404 0207	Flange Gasket		2
12	404 0166	Fuel Pump Gasket . . (K)	1	1
13	404 0167	*Fuel Pump Diaphragm (K)	1	1
14	404 0168	Fuel Pump Body	1	1
15	404 0049	*Fuel Strainer Screen	1	1
16	404 0050	Fuel Strainer Cover Gasket	1	1
17	404 0051	Fuel Strainer Cover	1	1
18	404 0052	*Fuel Strainer Cover Ret. Screen	1	1
19	404 0054	*Idle Mixture Screw	1	1
20	404 0068	*Idle Mixture Screw Spring	1	1
21	404 0058	Idle Mixture Screw Washer	1	1
22	404 0063	Idle Mixture Screw Packing	1	1
23	404 0065	*Idle Speed Screw	1	1
24	404 0158	Idle Speed Screw Cup	1	1
25	404 0067	*Idle Speed Screw Spring	1	1
26	404 0069	*Inlet Control Lever.	1	1
27	404 0072	*Inlet Control Lever Pin	1	1
28	404 0073	*Inlet Control Lever Pin Ret. Screw	1	1
29	404 0169	*Inlet Needle, Seat & Gasket	1	1
30	404 0080	Inlet Seat Gasket	1	1
31	404 0081	*Inlet Tension Spring	1	1
32	404 0170	Inlet Valve Gasket (K).	1	1
33	404 0171	*Inlet Valve Diaphragm (K).	1	1
34	404 0172	Inlet Valve Body	1	1
35	404 0173	Inlet Valve Body Screw & Lockwasher	6	6
36	404 0055	*High Speed Mixture Screw	1	1
37	404 0147	High Speed Mixture Screw Gland	1	1
38	404 0144	High Speed Mixture Screw Gland Gasket	1	1
39	404 0063	High Speed Mixture Screw Packing	1	1
40	404 0068	*High Speed Mixture Screw Spring	1	1
41	404 0058	High Speed Mixture Screw Washer	1	1
42	404 0141	*Main Fuel Jet (.120)	1	
42	404 0179	*Main Fuel Jet (.120)		1
43	404 0174	Main Fuel Jet Gasket	1	1
44	404 0081	Nozzle Check Valve	1	1
45	404 0101	Throttle Shaft & Lever	1	1
46	404 0104	Throttle Shaft Clip	1	1
47	404 0105	Throttle Shaft Clip Lockwasher	1	1
48	404 0106	Throttle Shaft Clip Ret. Screw	1	1
49	404 0110	*Throttle Shaft Return Spring	1	1
50	404 0116	Throttle Shutter	1	1
51	404 0028	*Throttle Shutter Screw	2	2
52	404 0148	Throttle Stop Pin	1	1
53	404 0149	Throttle Stop Pin Lockwasher	1	1
54	404 0135	*Throttle Wire Ret. Screw	1	1
55	404 0175	*Gasket & Packing Set	1	
55	404 0208	*Gasket & Packing Set		1
56	404 0176	Repair Parts Kit	1	
56	404 0184	Repair Parts Kit		1
	404 0281	Diaphragm & Gasket Set	1	1



CARBURETOR

HD



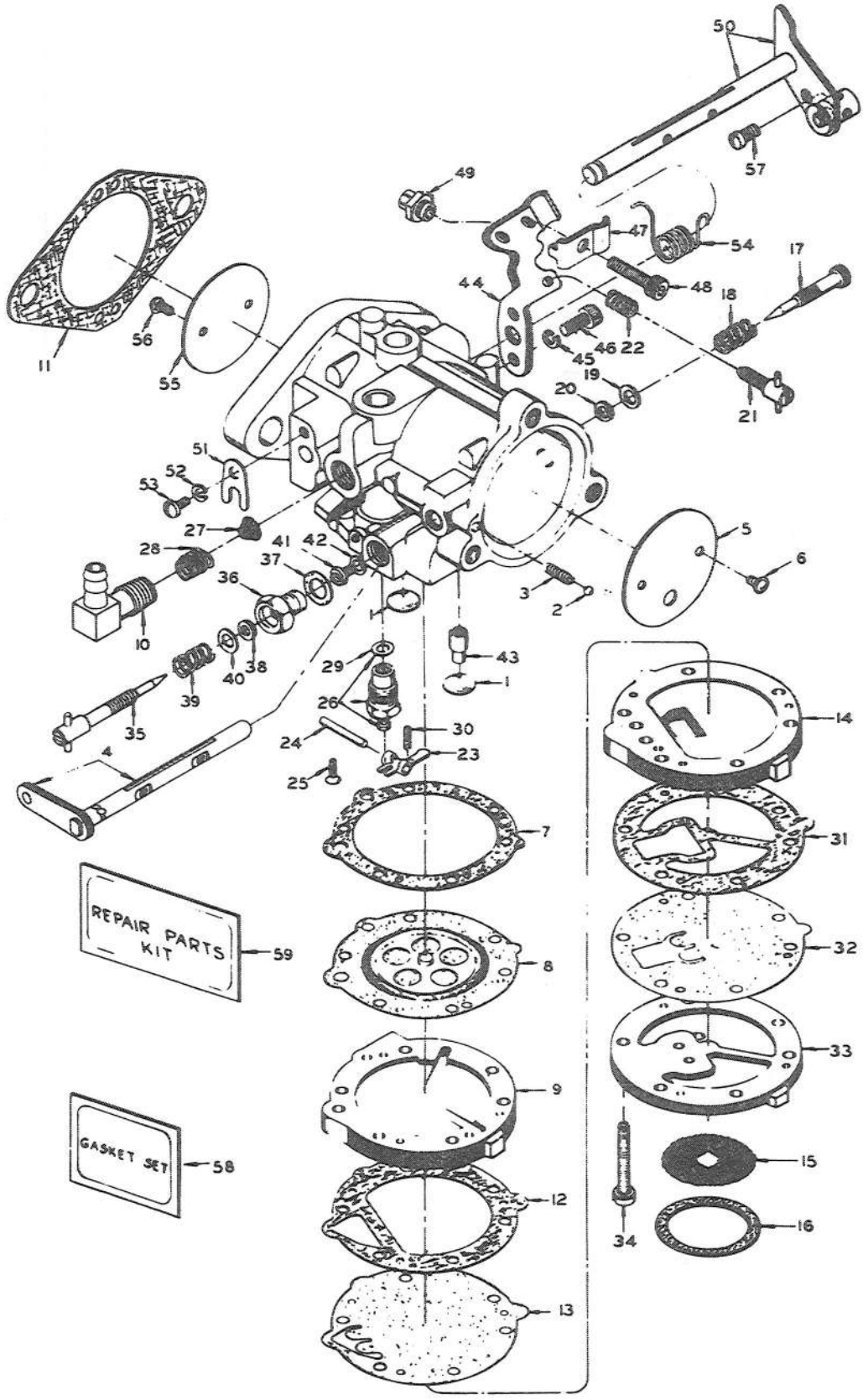
CARBURETOR

HD

ITEM NO.	PART NO.	DESCRIPTION	QUANTITY
			HD4A
1	404 0011	*Body Channel Welch Plug	2
2	404 0013	Choke Friction Ball	1
3	404 0014	Choke Friction Spring	1
4	404 0021	Choke Shaft & Lever	1
5	404 0025	Choke Shutter	1
6	404 0028	Choke Shutter Screw	2
7	404 0033	*Diaphragm	1
8	404 0037	Diaphragm Cover	1
9	404 0048	Diaphragm Cover Ret. Screw	6
10	404 0031	Diaphragm Gasket	1
11	404 0040	Flange Gasket	1
12	404 0054	*Idle Mixture Screw	1
13	404 0068	*Idle Mixture Screw Spring	1
14	404 0058	Idle Mixture Screw Washer	1
15	404 0063	Idle Mixture Screw Packing	1
16	404 0065	*Idle Speed Screw	1
17	404 0067	*Idle Speed Screw Spring	1
18	404 0069	*Inlet Control Lever	1
19	404 0072	*Inlet Control Lever Pin	1
20	404 0073	*Inlet Control Lever Pin Ret. Screw	1
21	404 0077	*Inlet Needle Seat & Gasket	1
22	404 0080	Inlet Seat Gasket	1
23	404 0081	*Inlet Tension Spring	1
24	404 0055	*High Speed Mixture Screw	1
25	404 0147	High Speed Mixture Screw Gland	1
26	404 0144	High Speed Mixture Screw Gland Gasket	1
27	404 0063	High Speed Mixture Screw Packing	1
28	404 0068	*High Speed Mixture Screw Spring	1
29	404 0058	High Speed Mixture Screw Washer	1
30	404 0141	*Main Fuel Jet (120)	1
31	404 0089	Nozzle Check Valve	1
32	404 0101	Throttle Shaft & Lever	1
33	404 0104	Throttle Shaft Clip	1
34	404 0105	Throttle Shaft Clip Lockwasher	1
35	404 0106	Throttle Shaft Clip Ret. Screw	1
36	404 0110	*Throttle Shaft Return Spring	1
37	404 0116	Throttle Shutter	1
38	404 0028	Throttle Shutter Screw	2
39	404 0148	Throttle Stop Pin	1
40	404 0149	Throttle Stop Pin Lockwasher	1
41	404 0135	*Throttle Wire Ret. Screw	1
42	404 0122	*Gasket And Packing Set	1
43	404 0131	Repair Parts Kit	1
44	404 0150	Diaphragm (Valve)	1
45	404 0151	Diaphragm (Pulse)	1
46	404 0152	Gasket	1
47	404 0153	Screw	1
48	404 0154	Pump Body	1
49	404 0155	Pump Cover	1

* Indicates Contents Of Repair Parts Kit.





CARBURATOR

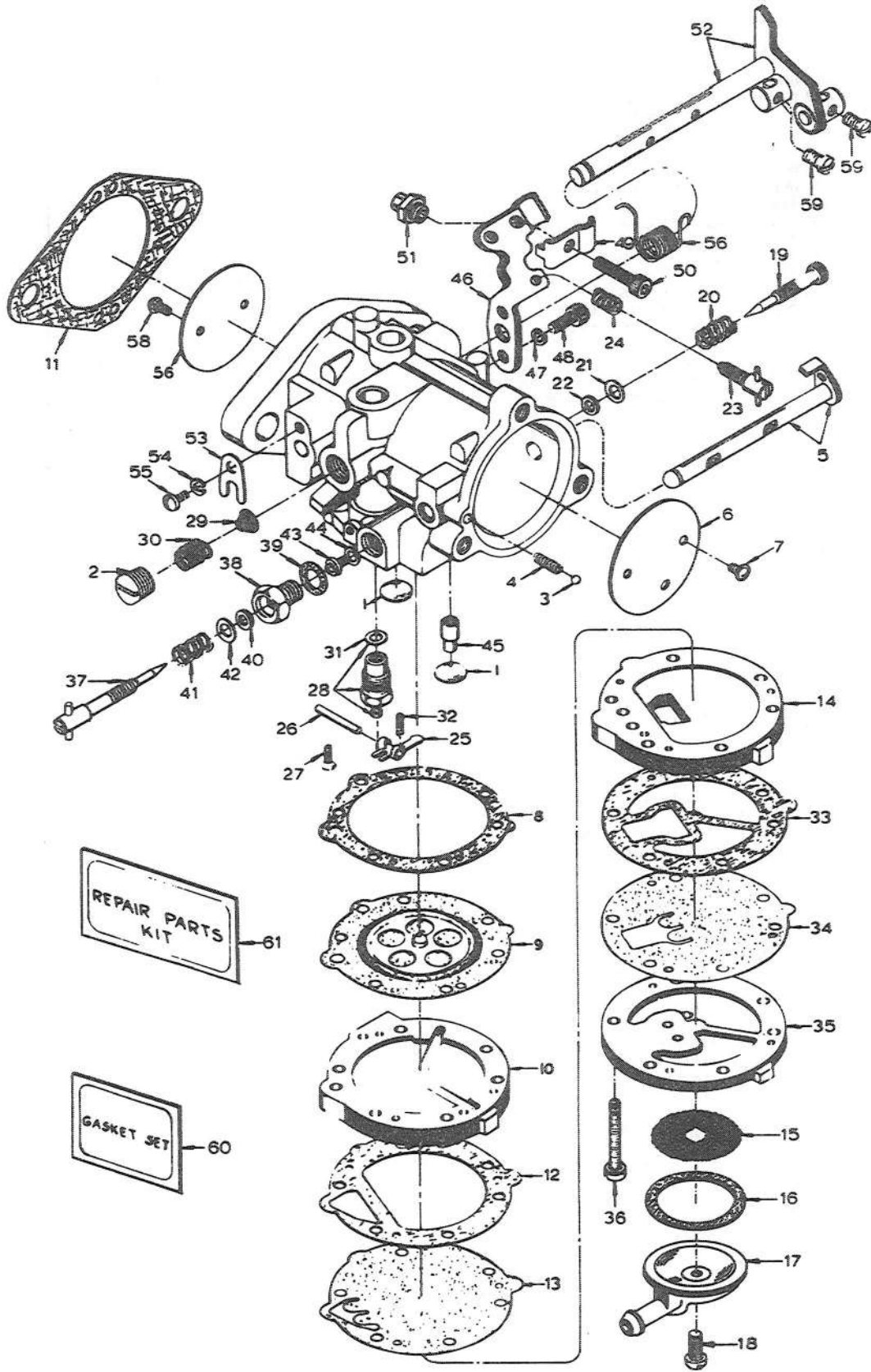
HD

ITEM NO.	PART NO.	DESCRIPTION	QUANTITY	
			HD 66A	HD 73A
2	404 0011	*Body Channel Welch Plug	2	2
3	404 0013	Choke Friction Ball	1	1
4	404 0014	Choke Friction Spring	1	1
4	404 0210	Choke Shaft & Lever		1
4	404 0288	Choke Shaft	1	
5	404 0180	Choke Shutter	1	1
6	404 0028	Choke Shutter Screw	2	2
7	404 0031	Diaphragm Gasket (K)	1	1
8	404 0033	*Diaphragm (K)	1	1
9	404 0165	Diaphragm Cover	1	1
10	404 0247	Elbow Connector	1	1
11	404 0212	Flange Gasket	1	1
12	404 0166	Fuel Pump Gasket (K)	1	1
13	404 0167	*Fuel Pump Diaphragm (K)	1	1
14	404 0168	Fuel Pump Body	1	1
15	404 0181	*Fuel Strainer Screen	1	1
16	404 0050	Fuel Strainer Cover Gasket	1	1
17	404 0287	*Idle Mixture Screw	1	1
18	404 0068	*Idle Mixture Screw Spring	1	1
19	404 0058	Idle Mixture Screw Washer	1	1
20	404 0063	Idle Mixture Screw Packing	1	1
21	404 0248	*Idle Speed Screw Ass'y	1	1
22	404 0067	*Idle Speed Screw Spring	1	1
23	404 0070	*Inlet Control Lever	1	1
24	404 0072	*Inlet Control Lever Pin	1	1
25	404 0073	*Inlet Control Lever Pin Ret. Screw	1	1
26	404 0285	*Inlet Needle, Seat & Gasket	1	1
27	404 0235	*Inlet Screen	1	1
28	404 0236	*Inlet Screen Ret. Spring	1	1
29	404 0080	Inlet Seat Gasket	1	1
30	404 0081	*Inlet Tension Spring	1	1
31	404 0170	Inlet Valve Gasket (K)	1	1
32	404 0171	*Inlet Valve Diaphragm (K)	1	1
33	404 0213	Inlet Valve Body & Strainer	1	1
34	404 0173	Inlet Valve Body Screw & Lockwasher	6	6
35	404 0055	*High Speed Mixture Screw	1	1
36	404 0147	High Speed Mixture Screw Gland	1	1
37	404 0144	High Speed Mixture Screw Gland Gasket	1	1
38	404 0063	High Speed Mixture Screw Packing	1	1
39	404 0068	*High Speed Mixture Screw Spring	1	1
40	404 0058	*High Speed Mixture Screw Washer	1	1
41	404 0290	*Main Fuel Jet (.096)	1	1
41	404 0223	*Main Fuel Jet	1	
42	404 0174	Main Fuel Jet Gasket	1	1
43	404 0089	Nozzle Check Valve	1	1
44	404 0250	Throttle Cable Bracket	1	1
45	404 0105	Throttle Cable Bracket Lockwasher	2	2
46	404 0251	Throttle Cable Bracket Ret. Screw	2	2
47	404 0215	Throttle Cable Clamp	1	1
48	404 0216	Throttle Cable Clamp Ret. Screw	1	1
49	404 0217	Throttle Cable Clamp Ret. Nut	1	1
50	404 0252	Throttle Shaft & Lever	1	1
51	404 0104	Throttle Shaft Clip	1	1
52	404 0105	Throttle Shaft Clip Lockwasher	1	1
53	404 0106	Throttle Shaft Clip Ret. Screw	1	1
54	404 0219	*Throttle Shaft Return Spring	1	1
55	404 0116	Throttle Shutter	1	1
56	404 0028	*Throttle Shutter Screw	2	2
57	404 0220	*Throttle Wire Ret. Screw	1	1
58	404 0221	*Gasket Set	1	1
59	404 0272	Repair Parts Kit	1	
59	404 0291	Repair Parts Kit		1
	404 0281	Diaphragm & Gasket Set	1	1

* Indicates Contents or Repair Parts Kit
(K) Indicates Contents of Diaphragm & Gasket Set



CARBURATOR BLIZZARD



CARBURATOR BLIZZARD

HD

ITEM NO.	PART NO.	DESCRIPTION	QUANTITY
			HD-72A
1	404 0011	*Body Channel Welch Plug	2
2	404 0164	Body Channel Plug Screw	1
3	404 0013	Choke Friction Ball	1
4	404 0014	Choke Friction Spring	1
5	404 0286	Choke Shaft & Lever	1
6	404 0180	Choke Shutter	1
7	404 0028	Choke Shutter Screw	2
8	404 0031	Diaphragm Gasket (K)	1
9	404 0033	*Diaphragm (K)	1
10	404 0165	Diaphragm Cover	1
11	404 0212	Flange Gasket	2
12	404 0166	Fuel Pump Gasket (K)	1
13	404 0167	*Fuel Pump Diaphragm (K)	1
14	404 0168	Fuel Pump Body	1
15	404 0181	*Fuel Strainer Screen	1
16	404 0050	Fuel Strainer Cover Gasket	1
17	404 0182	Fuel Strainer Cover	1
18	404 0052	Fuel Strainer Cover Ret. Screw	1
19	404 0287	*Idle Mixture Screw	1
20	404 0068	*Idle Mixture Screw Spring	1
21	404 0058	Idle Mixture Screw Washer	1
22	404 0063	Idle Mixture Screw Packing	1
23	404 0248	*Idle Speed Screw Ass'y.	1
24	404 0067	*Idle Speed Screw Spring	1
25	404 0070	*Inlet Control Lever	1
26	404 0072	*Inlet Control Lever Pin	1
27	404 0073	*Inlet Control Lever Pin Ret. Screw	1
28	404 0285	*Inlet Needle, Seat & Gasket	1
29	404 0235	*Inlet Screen	1
30	404 0236	*Inlet Screen Ret. Spring	1
31	404 0080	Inlet Seat Gasket	1
32	404 0081	*Inlet Tension Spring	1
33	404 0170	Inlet Valve Gasket (K)	1
34	404 0171	*Inlet Valve Diaphragm (K)	1
35	404 0213	Inlet Valve Body & Strainer	1
36	404 0173	Inlet Valve Body Screw & Lockwasher	6
37	404 0055	*High Speed Mixture Screw	1
38	404 0147	High Speed Mixture Screw Gland	1
39	404 0144	High Speed Mixture Screw Gland Gasket	1
40	404 0063	High Speed Mixture Screw Packing	1
41	404 0068	High Speed Mixture Screw Spring	1
42	404 0058	High Speed Mixture Screw Washer	1
43	404 0223	*Main Fuel Jet	1
44	404 0174	Main Fuel Jet Gasket	1
45	404 0089	Nozzle Check Valve	1
46	404 0250	Throttle Cable Bracket	1
47	404 0105	Throttle Cable Bracket Lockwasher	2
48	404 0251	Throttle Cable Bracket Ret. Screw	2
49	404 0215	Throttle Cable Clamp	1
50	404 0216	Throttle Cable Clamp Ret. Screw	1
51	404 0217	Throttle Cable Clamp Ret. Nut	1
52	404 0289	Throttle Shaft & Lever	1
53	404 0104	Throttle Shaft Clip	1
54	404 0105	Throttle Shaft Clip Lockwasher	1
55	404 0106	Throttle Shaft Clip Ret. Screw	1
56	404 0219	*Throttle Shaft Return Spring	1
57	404 0116	Throttle Shutter	1
58	404 0028	*Throttle Shutter Screw	2
59	404 0220	*Throttle Wire Ret. Screw	2
60	404 0221	Gasket Set	1
61	404 0272	Repair Parts Kit	1
	404 0281	Diaphragm & Gasket Set	1

*Indicates Contents or Repair Parts Kit
(K) Indicates Contents of Diaphragm & Gasket Set.





SECTION 3

3-1 ELECTRICAL

3-2 LAMP HOUSING

3-3 ROTAX

SECTION 3



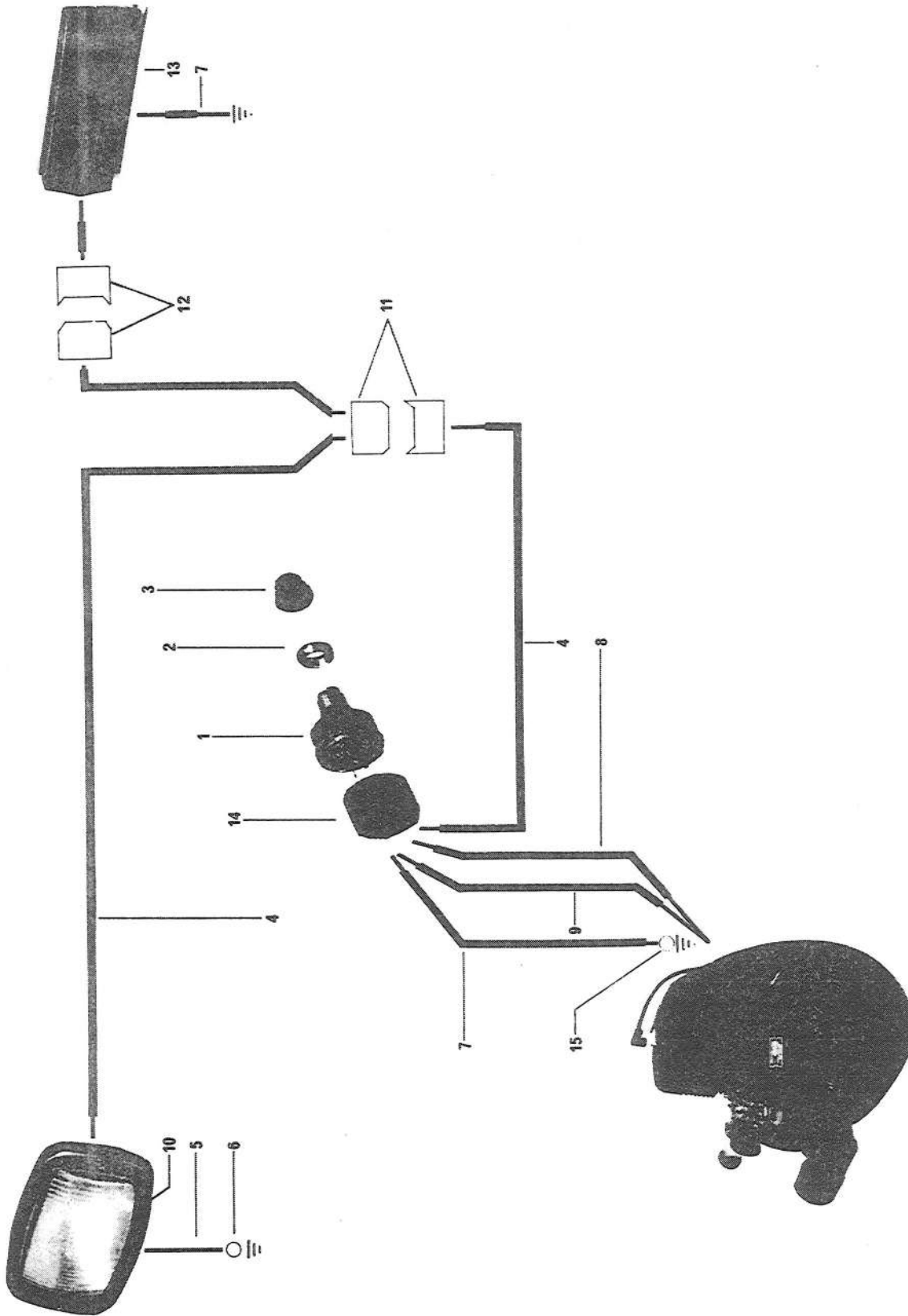


ELECTRICAL

SECTION 3-1

HARNESS SWITCHES TERMINALS

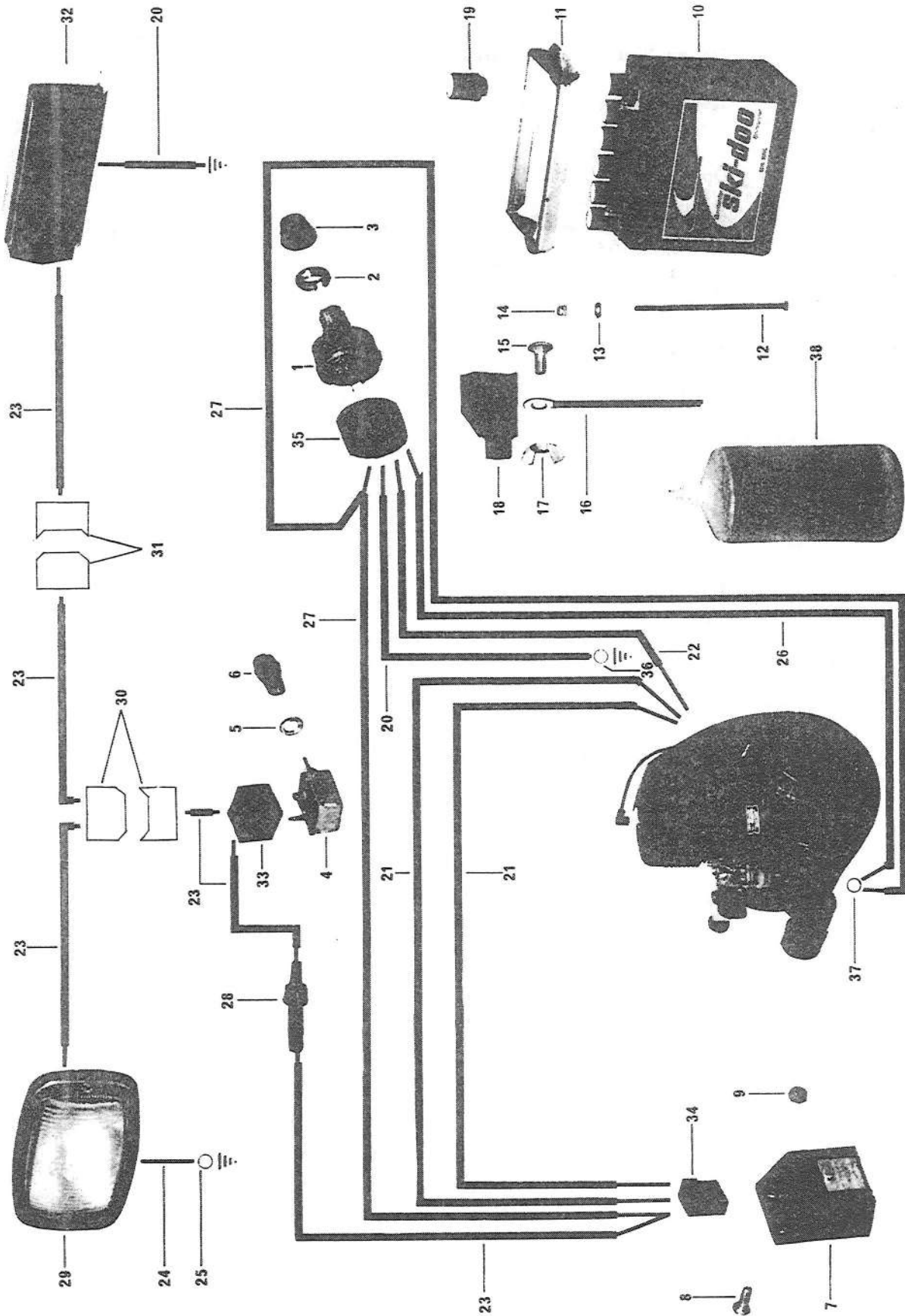




ITEM NO.	PART NO.	DESCRIPTION	QUANTITY
1	410 1014	Ignition Switch (OF/ON/LIGHT)	1
2	410 1008	Face Nut	1
3	670 1503	Ignition Switch Boot	1
4	409 6020	Wire Brown 16 Ga (Mult 12")	AR
5	414 0574	Steel Wire (Mult 12")	AR
6	409 0018	Open Barrel	2
7	409 6035	Wire Yellow 16 Ga (Mult 12")	AR
8	409 6019	Wire Yellow/Stripped Red 16 Ga (Mult 12")	AR
9	409 6021	Wire Black 16 Ga (Mult. 12")	AR
10		Projector (See Section 3-2 Page 3)	
	409 2023	Receptacle Housing (2 Circ)	1
	409 2014	Receptacle	2
11	409 2013	Tab Housing	1
	409 2010	Tab	1
	409 2012	Receptacle Housing	1
	409 2014	Receptacle	1
12	409 2014	Receptacle	1
	409 2012	Receptacle Housing	1
	409 9001	Receptacle Housing (Mult. 12")	AR
	409 2010	Tab	1
	409 2013	Tab Housing	1
13		Tail Lamp (See Section 3-2 Page 3)	
	409 2014	Receptacle	2
	409 0019	Open Barrel	1
14	410 9033	Ignition Switch Block	1
	409 2014	Receptacle	4
15	409 0019	Open Barrel	1
	515 0225	Harness Assembly	1

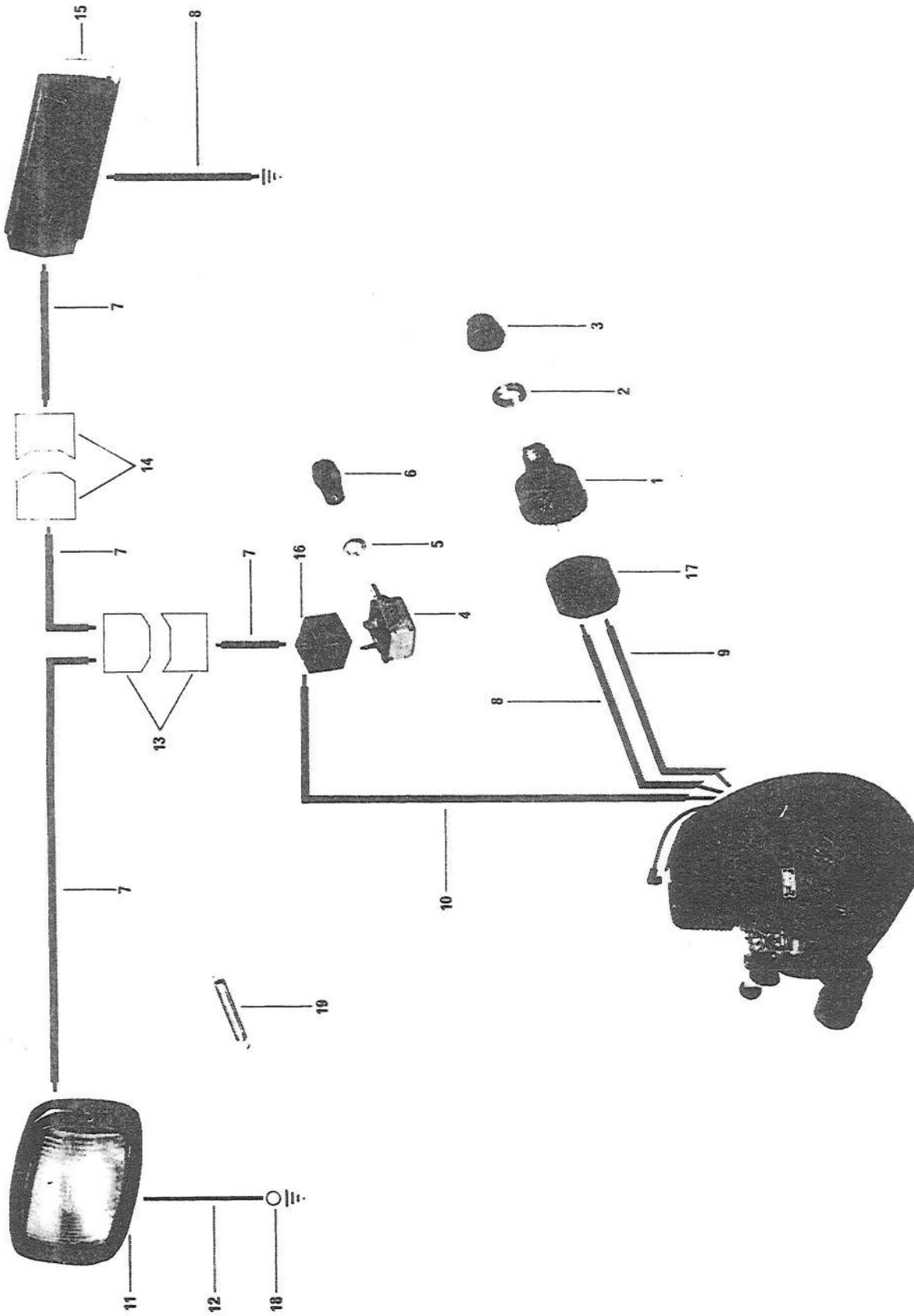
For Terminals Illustration See Section 3-1





ITEM NO.	PART NO.	DESCRIPTION	QUANTITY
1	410 1009	Ignition Switch	1
2	410 1008	Face Nut	1
3	670 1503	Ignition Switch Boot	1
4	410 1012	Light Switch	1
5	410 1010	Face Nut	1
6	572 1713	Light Switch Knob	1
7	410 9050	Rectifier	1
8	300 1001	Screw	2
9	386 6013	Nut	2
10	410 3002	Battery	1
11	515 0256	Battery Cover	1
12	515 0292	Rod	2
13	399 9015	Washer	2
14	386 6013	Nut	2
15	360 5020	Bolt (N)	1
15	360 5050	Bolt (P)	1
16	409 6040	Current Wire	1
16	409 6037	Ground Wire	1
17	386 4019	Wing Nut (N)	1
17	386 4022	Wing Nut (P)	1
18	570 1505	Protection Cap	1
19	410 3004	Battery Cap	6
20	409 6022	Wire Yellow 16 Ga. (Mult 12")	AR
21	409 6019	Wire Yellow/Stripped Red 16 Ga. (Mult 12")	AR
22	409 6021	Wire Black 16 Ga. (Mult 12")	AR
23	409 6020	Wire Brown 16 Ga. (Mult 12")	AR
24	414 0574	Steel Wire (Mult 12")	AR
25	409 0018	Open Barrel	2
26	109 5022	Wire Green 14 Ga. (Mult 12")	AR
27	409 6025	Wire Red 14 Ga. (Mult 12")	AR
28	410 9054	Fuse Holder	1
29		Projector (See Section 3-2 Page 3)	
	409 2023	Receptacle Housing (2 Circ)	1
	409 2014	Receptacle	2
30	409 2013	Tab Housing	1
	409 2010	Tab	1
	409 2012	Receptacle Housing	1
	409 2014	Receptacle	1
31	409 2014	Receptacle	1
	409 2012	Receptacle Housing	1
	409 9001	Housing (Mult 12")	AR
	409 2010	Tab	1
	409 2013	Tab Housing	1
32		Tail Lamp (See Section 3-2 Page 3)	
	409 2014	Receptacle	2
	409 0019	Open Barrel	1
33	410 9035	Head Light Switch Block	1
	409 2024	Receptacle	2
34	410 9034	Rectifier Block	1
	409 2024	Receptacle	3
35	410 9033	Ignition Switch Block	1
	409 2024	Receptacle	2
	409 2014	Receptacle (On Red & Green Wire)	2
36	409 0019	Open Barrel	1
37	409 0019	Open Barrel (On Red Wire)	1
	409 0020	Open Barrel (On Green Wire)	1
38	410 3003	Acid Container	1
	515 0291	Harness Assembly	1



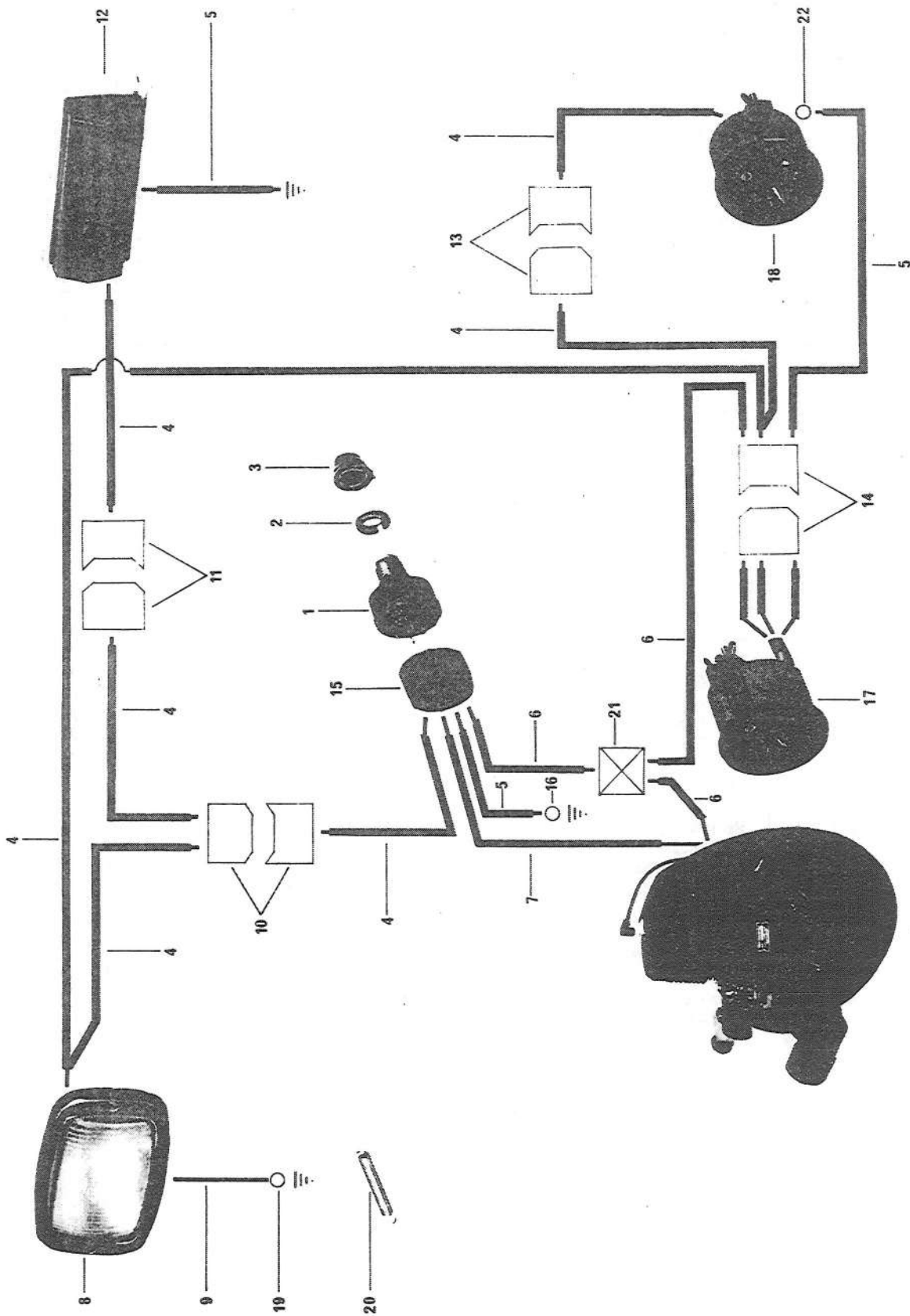


ITEM NO.	PART NO.	DESCRIPTION	QUANTITY		
			300	335	399
1	410 1006	Ignition Switch	1	1	1
2	410 1008	Face Nut	1	1	1
3	670 1503	Ignition Switch Boot	1	1	1
4	410 1012	Light Switch	1	1	1
5	410 1010	Face Nut	1	1	1
6	572 1713	Light Switch Knob	1	1	1
7	409 6020	Wire Brown 16 Ga. (Mult 12")	AR	AR	AR
8	409 6022	Wire Yellow 16 Ga. (Mult 12")	AR	AR	AR
9	409 6021	Wire Black 16 Ga. (Mult 12")	AR	AR	AR
10	409 6019	Wire Yellow/Stripped Red 16 Ga. (Mult 12")	AR	AR	AR
11		Projector (See Section 3-2 Page 5)			
	409 2023	Receptacle Housing (2 Circ)	1	1	1
	409 2014	Receptacle	2	2	2
12	414 0574	Steel Wire (Mult 12")	AR	AR	AR
13	409 2013	Tab Housing	1	1	1
	409 2010	Tab	1	1	1
	409 2014	Receptacle	1	1	1
	409 2012	Receptacle Housing	1	1	1
14	409 2010	Tab	1	1	1
	409 2013	Tab Housing	1	1	1
	409 2014	Receptacle	1	1	1
	409 2012	Receptacle Housing	1	1	1
	409 9001	Housing (Mult 12")	AR	AR	AR
15		Tail Lamp (See Section 3-2 Page 5)			
	409 2014	Receptacle	2	2	2
	409 0019	Open Barrel	1	1	1
16	410 9035	Head Light Switch Block	1	1	1
	409 2024	Receptacle	2	2	2
17	410 9033	Ignition Switch Block	1	1	1
	409 2014	Receptacle	2	2	2
18	409 0018	Open Barrel	2	2	2
	515 0236	Harness Assembly	1	1	
	515 0238	Harness Assembly			1
19	414 0728	Spring	1	1	1



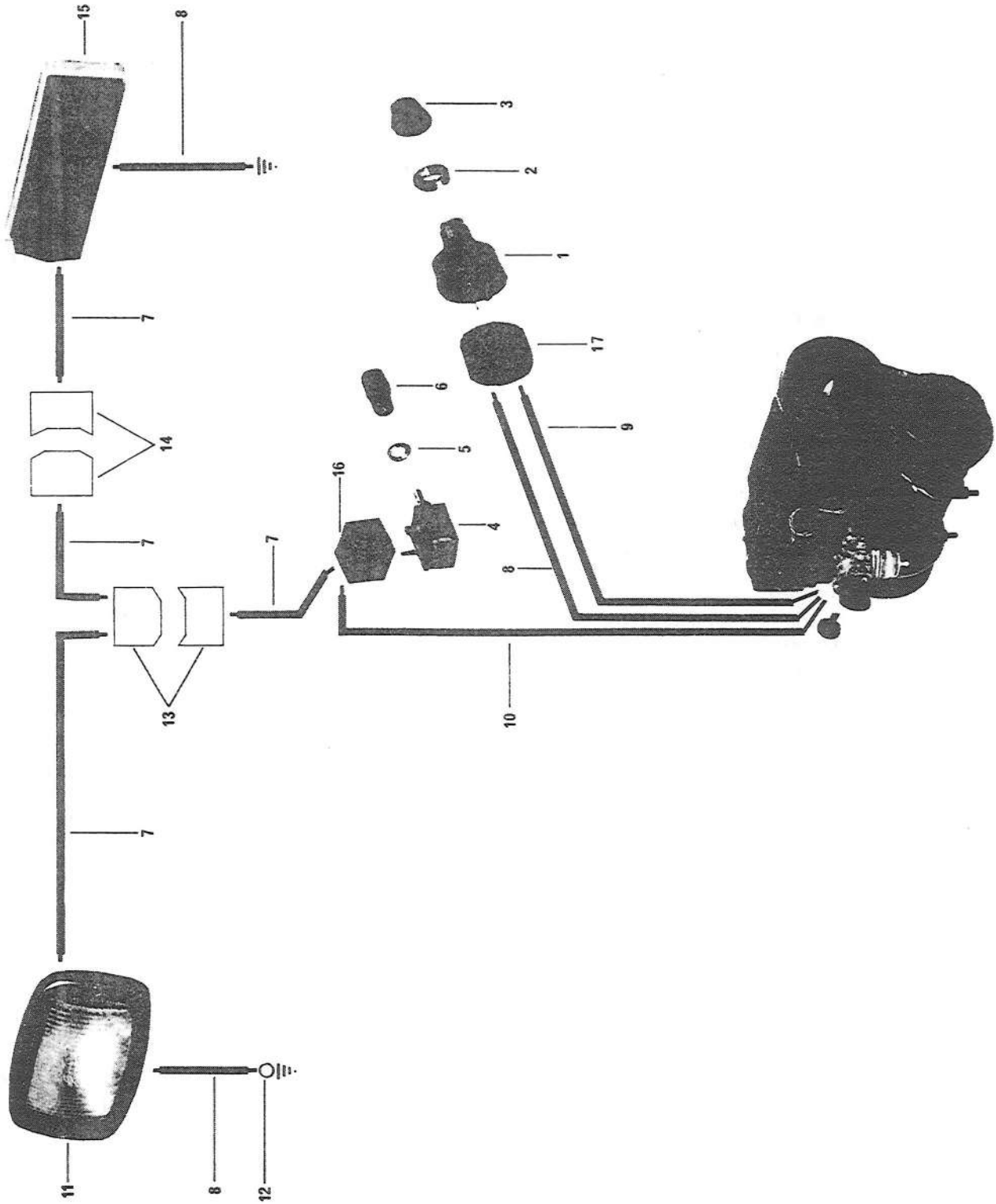
ITEM NO.	PART NO.	DESCRIPTION	QUANTITY	
			335E	399E
1	410 1009	Ignition Switch	1	1
2	410 1008	Face Nut	1	1
3	670 1503	Ignition Swtich Boot	1	1
4	410 1012	Light Switch	1	1
5	410 1010	Face Nut	1	1
6	572 1713	Light Switch Knob	1	1
7	572 1711	Lighter Knob	1	1
8	414 0733	Element	1	1
9	414 0732	Socket	1	1
10	414 0734	Retainer	1	1
11	410 9050	Rectifier	1	1
12	300 1001	Screw	4	4
13	386 6019	Nut	7	7
14	515 0255	Battery Rack	1	1
15	399 9015	Washer	2	2
16	410 3002	Battery	1	1
17	515 0256	Battery Cover	1	1
18	300 0022	Retaining Screw	2	2
19	360 5020	Bolt (N)	1	1
19	360 5050	Bolt (P)	1	1
20	409 6034	Ground Wire	1	1
20	409 6031	Current Wire	1	
21	386 4019	Wing Nut(N)	1	1
21	386 4022	Wing Nut (P)	1	1
22	323 3101	Screw	1	1
23	399 9007	Washer	1	1
24	570 1505	Protection Cap	1	1
25	410 3004	Battery Cap	6	6
26	409 6022	Wire Yellow 16 Ga. (Mult 12")	AR	AR
27	409 6019	Wire Yellow/Stripped Red 16 Ga. (Mult 12")	AR	AR
28	409 6021	Wire Black 16 Ga. (Mult 12")	AR	AR
29	409 6020	Wire Brown 16 Ga. (Mult 12")	AR	AR
30	109 5022	Wire Green 14 Ga. (Mult 12")	AR	AR
31	409 6025	Wire Red 14 Ga. (Mult 12")	AR	AR
32	410 9054	Fuse Holder	1	1
33	414 0623	Lighter Wire	1	1
34		Projector (See Secion 3-2 - Page 5)		
	409 2023	Receptacle Housing (2 Circ)	1	1
	409 2014	Receptacle	2	2
35	414 0574	Steel Wire (Mult 12")	AR	AR
36	409 0018	Open Barrel	2	2
37	409 2013	Tab Housing	1	1
	409 2010	Tab	1	1
	409 2012	Receptacle Housing	1	1
	409 2014	Receptacle	1	1
	409 9001	Housing (Mult 12")	AR	AR
38		Tail Lamp (See Section 3-2 - Page 5)		
	409 2014	Receptacle	2	2
39	409 0019	Open Barrel	1	1
40	410 9035	Head Light Switch Block	1	1
	409 2024	Receptacle	2	2
41	410 9033	Ignition Switch Block	1	1
	409 2024	Receptacle	1	1
	409 2014	Receptacle (On Red & Green Wire)	3	3
42	410 9034	Rectifier Block	1	1
	409 2024	Receptacle	3	3
43	409 0019	Open Barrel (On Red Wire)	1	1
	409 0020	Open Barrel (On Green Wire)	1	1
44	410 3003	Acid Container	1	1
	515 0237	Harness Assembly	1	1
45	414 0728	Spring	1	1
	409 6043	Current Wire		1





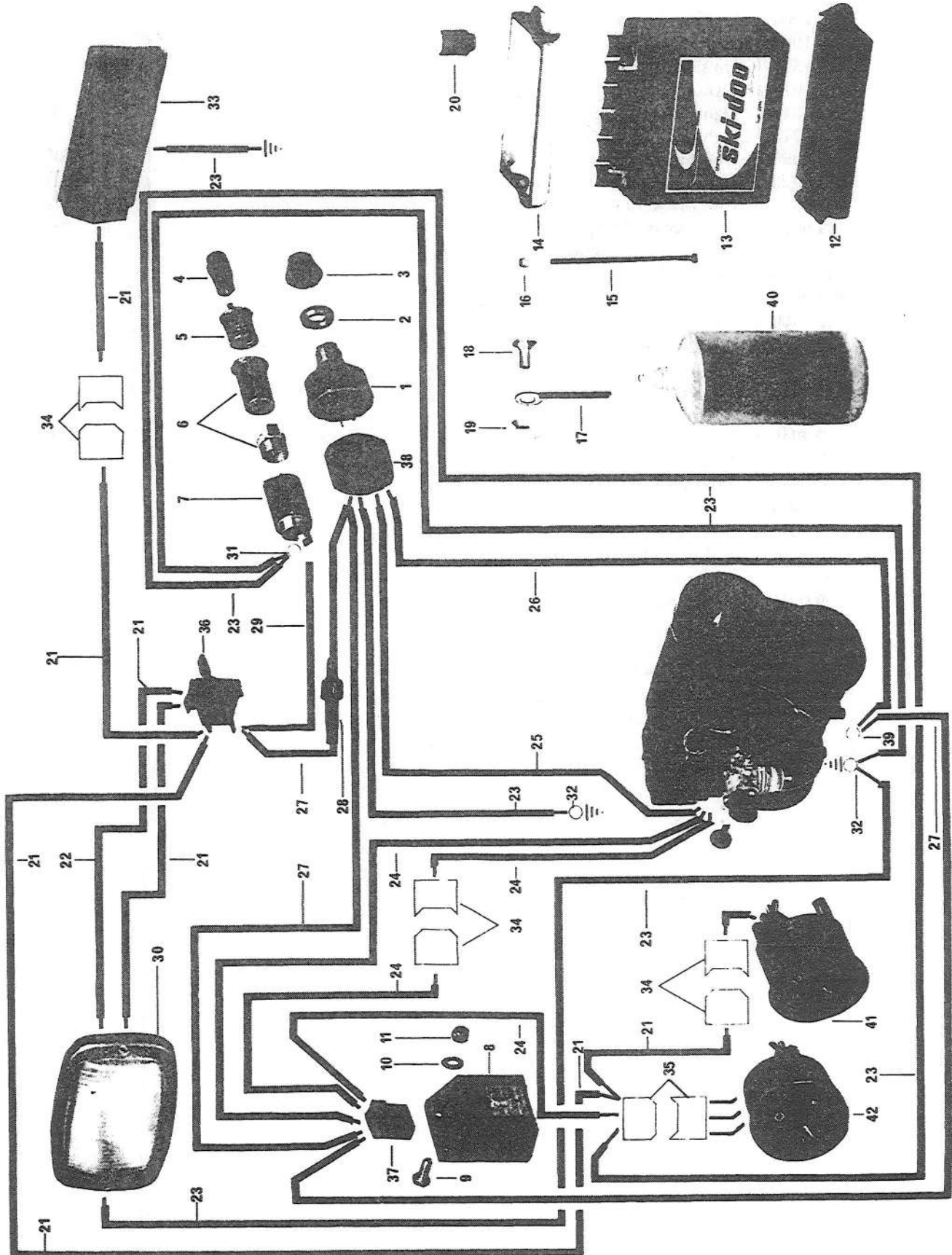
ITEM NO.	PART NO.	DESCRIPTION	QUANTITY	
			292	340
1	410 1014	Ignition Switch (OF/ON/LIGHT)	1	1
2	410 1008	Face Nut	1	1
3	670 1503	Ignition Switch Boot	1	1
4	409 6020	Wire Brown 16 Ga. (Mult 12'')	AR	AR
5	409 6022	Wire Yellow 16 Ga. (Mult 12'')	AR	AR
6	409 6019	Wire Yellow/Stripped Red 16 Ga. (Mult 12'')	AR	AR
7	409 6021	Wire Black 16 Ga. (Mult 12'')	AR	AR
8		Projector (See Section 3-2 Page 5)		
	409 2023	Receptacle Housing (2 Circ)	1	1
	409 2014	Receptacle	2	2
9	414 0574	Steel Wire (Mult 12'')	AR	AR
10	409 2013	Tab Housing	1	1
	409 2010	Tab	1	1
	409 2012	Receptacle Housing	1	1
	409 2024	Receptacle	1	1
11	409 2014	Receptacle	1	1
	409 2012	Receptacle Housing	1	1
	409 2010	Tab	1	1
	409 2013	Tab Housing	1	1
	409 9001	Housing (Mult 12'')	AR	AR
12		Tail Lamp (See Section 3-2 Page 5)		
	409 2014	Receptacle	2	2
	409 0019	Open Barrel	1	1
13	409 2024	Receptacle	1	1
	409 2012	Receptacle Housing	1	1
	409 2010	Tab	1	1
	409 2013	Tab Housing	1	1
14	409 0004	Socket Contactor	3	3
	409 2028	Socket Housing (3 Circ)	1	1
	409 0005	Pin Contactor	3	3
	409 2029	Pin Housing (3 Circ)	1	1
15	410 9033	Ignition Switch Block	1	1
	409 2024	Receptacle	4	4
16	409 2019	Open Barrel	1	1
17		Tacho (See Section 4-2 Page 7)		
18		Speedo (See Section 4-2 Page 7)		
	515 0230	Harnel Assembly	1	1
19	409 0018	Open Barrel	2	2
20	414 0728	Spring	1	1
21	409 9004	Joint Connector	1	1
22	409 0020	Open Barrel	1	1





ITEM NO.	PART NO.	DESCRIPTION	QUANTITY
			399
1	410 1006	Ignition Switch	1
2	410 1008	Face Nut	1
3	670 1503	Ignition Switch Boot	1
4	410 1012	Light Switch	1
5	410 1010	Light Switch Face Nut	1
6	572 1713	Light Switch Knob	1
7	409 6020	Wire Brown 16 Ga. (Mult 12")	AR
8	409 6022	Wire Yellow 16 Ga. (Mult 12")	AR
9	409 6021	Wire Black 16 Ga. (Mult 12")	AR
10	409 6019	Wire Yellow/Stripped Red 16 Ga. (Mult 12")	AR
11		Projector (See Section 3-2 Page 7)	
	409 2023	Receptacle Housing (2 Circ)	1
	409 2014	Receptacle	2
12	409 0020	Open Barrel	1
13	409 2013	Tab Housing	1
	409 2010	Tab	1
	409 2014	Receptacle	1
	409 2012	Receptacle Housing	1
14	409 2010	Tab	1
	409 2013	Tab Housing	1
	409 2014	Receptacle	1
	409 9001	Housing (Mult 12")	AR
	409 2012	Receptacle Housing	1
15		Tail Lamp (See Section 3-2 Page 7)	
	409 2014	Receptacle	2
	409 0019	Open Barrel	1
16	410 9035	Head Light Switch Block	1
	409 2024	Receptacle	2
17	410 9033	Ignition Switch Block	1
	409 2014	Receptacle	2
18	515 0258	Harness Assembly	1





ELECTRICAL (NORDIC E)

1971

ITEM NO.	PART NO.	DESCRIPTION	QUANTITY	
			399E	640E
1	410 1009	Ignition Switch	1	1
2	410 1008	Face Nut	1	1
3	670 1503	Ignition Switch Boot	1	1
4	572 1711	Lighter Knob	1	1
5	414 0733	Element	1	1
6	414 0732	Socket	1	1
7	414 0734	Retainer	1	1
8	410 9050	Rectifier	1	1
9	320 1062	Screw	2	2
10	399 9018	Washer	2	2
11	387 3013	Nut	2	2
12	517 0272	Battery Seat	1	1
13	410 3002	Battery	1	1
14	515 0256	Battery Cover	1	1
15	300 4026	Battery Screw	2	2
16	387 0019	Nut	2	2
17	409 6035	Current Wire	1	1
17	409 6036	Ground Wire	1	1
18	360 5020	Bolt (N)	1	1
18	360 5050	Bolt (P)	1	1
19	386 4019	Wing Nut (N)	1	1
19	386 4022	Wing Nut (P)	1	1
20	410 3004	Battery Cab	6	6
21	409 6020	Wire Brown 16 Ga. (Mult 12")	AR	AR
22	409 6033	Wire Brown/Stripped Red 16 Ga (mult 12")	AR	AR
23	409 6022	Wire Yellow 16 Ga. (Mult 12")	AR	AR
24	409 6019	Wire Yellow/Stripped Red 16 Ga. (Mult 12")	AR	AR
25	409 6021	Wire Black 16 Ga. (Mult 12")	AR	AR
26	109 5022	Wire Green 14 Ga. (Mult 12")	AR	AR
27	409 6025	Wire Red 14 Ga. (Mult 12")	AR	AR
28	410 9054	Fuse Holder	1	1
29	414 0623	Lighter Wire	1	1
30		Projector (See Section 3-2 Page 7)		
	409 2027	Receptacle Housing	1	1
	409 2014	Receptacle	3	3
31	409 2024	Receptacle	1	1
32	409 0019	Open Barrel	2	2
33		Tail Lamp (See Section 3-2 Page 7)		
	409 2014	Receptacle	2	2
34	409 2010	Tab		1
	409 2013	Tab Housing		1
	409 2014	Receptacle		1
	409 2012	Receptacle Housing		1
	409 9001	Housing (Mult 12")		AR
35	409 0005	Pin Contactor		3
	409 2029	Pin Housing		1
	409 0004	Socket Contactor		3
	409 2028	Socket Housing		1
36	410 1013	Headlight Switch	1	1
	409 2014	Receptacle	2	2
	409 2024	Receptacle	2	2
37	410 9034	Rectifier Block	1	1
	409 2014	Receptacle	1	1
	409 2024	Receptacle	2	2
38	410 9033	Ignition Switch Block	1	1
	409 2024	Receptacle	4	4
39	409 0019	Open Barrel (On Red Wire)	1	1
	409 0020	Open Barrel (On Green Wire)	1	1
40	410 3003	Acid Container	1	1
	515 0287	Harness Assembly	1	
	515 0257	Harness Assembly		1
41		Tacho (See Section 4-2 Page 7)		
42		Speedo (See Section 4-2 Page 7)		



ITEM NO.	PART NO.	DESCRIPTION	QUANTITY		
			440	640	775
1	410 1006	Ignition Switch	1	1	1
2	410 1008	Face Nut	1	1	1
3	670 1503	Ignition Switch Boot	1	1	1
4	410 1012	Light Switch	1	1	1
5	410 1010	Face Nut	1	1	1
6	572 1713	Light Switch Knob	1	1	1
7	409 6020	Wire Brown 16 Ga (Mult 12")	AR	AR	AR
8	409 6022	Wire Yellow 16 Ga (Mult 12")	AR	AR	AR
9	409 6021	Wire Black 16 Ga (Mult 12")	AR	AR	AR
10	409 6019	Wire Yellow/Stripped Red 16 Ga (Mult 12")	AR	AR	AR
11		Projector (See Section 3-2 Page 5)	AR	AR	AR
	409 2023	Receptacle Housing (2 Circ)	1	1	1
	409 2014	Receptacle	2	2	2
12	409 0019	Open Barrel	1	1	1
13	409 2013	Tab Housing	1	1	1
	409 2010	Tab	1	1	1
	409 2014	Receptacle	1	1	1
	409 2012	Receptacle Housing	1	1	1
14	409 2010	Tab	1	1	1
	409 2013	Tab Housing	1	1	1
	409 2014	Receptacle	1	1	1
	409 2012	Receptacle Housing	1	1	1
	409 9001	Housing (Mult 12")	AR	AR	AR
15		Tail Lamp (See Section 3-2 Page 5)			
	409 2014	Receptacle	2	2	2
16	410 9035	Headlight Switch Block	1	1	1
	409 2024	Receptacle	2	2	2
17	410 9033	Ignition Switch Block	1	1	1
	409 2014	Receptacle	2	2	2
18	409 0004	Socket Contactor	3	3	3
	409 2028	Socket Housing	3	3	3
	409 0005	Pin Contactor	3	3	3
	409 2029	Pin Housing	3	3	3
19	409 2010	Tab	3	3	3
	409 2019	Tab Housing (6 Circ)	1	1	1
	409 2024	Receptacle	3	3	3
	409 2018	Receptacle Housing (6 Circ)	1	1	1
20		Tacho (See Section 4-2 Page 7)			
21		Speedo (See Section 4-2 Page 7)			
	515 0289	Harness Assembly	1	1	1

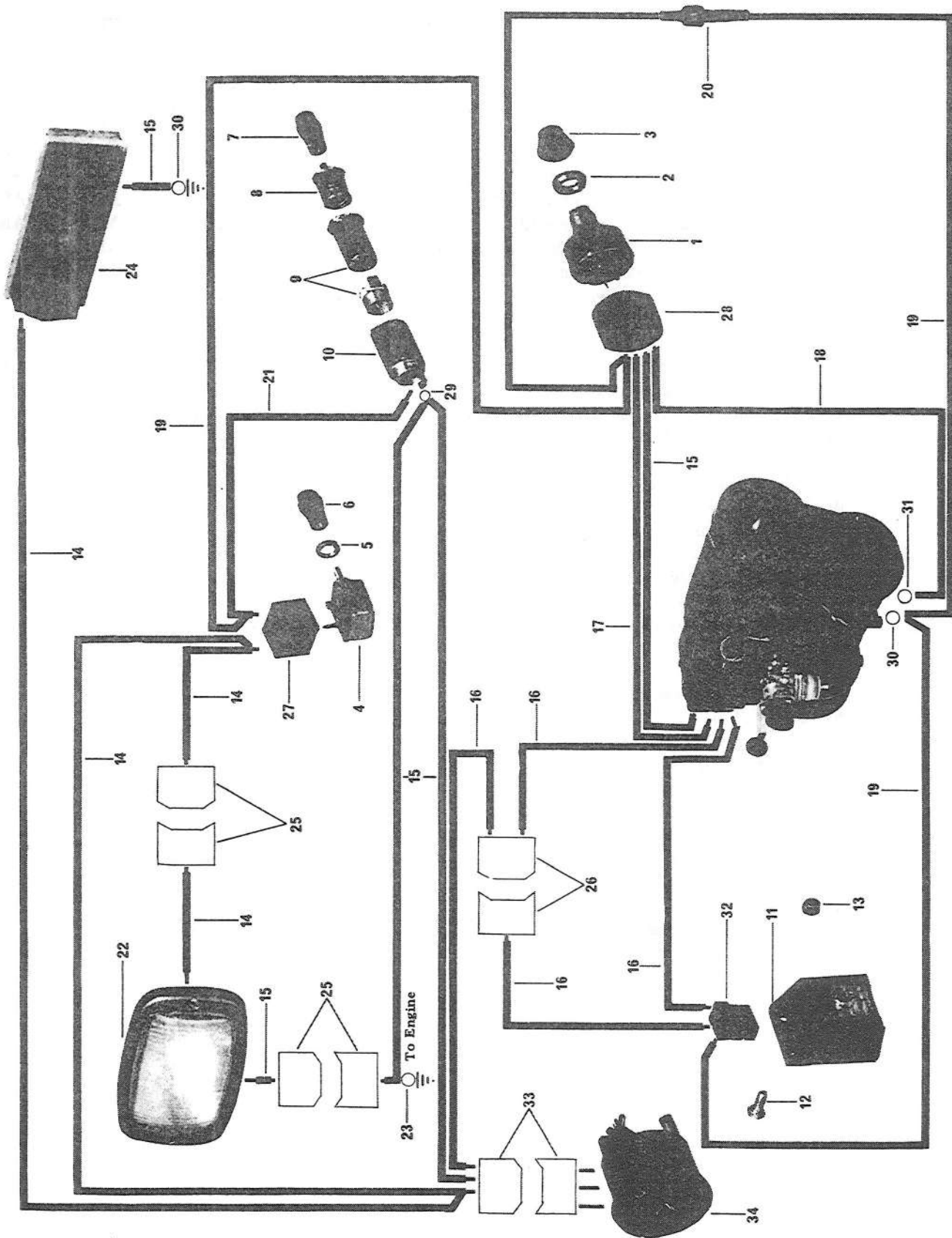


ITEM NO.	PART NO.	DESCRIPTION	QUANTITY
			335
1	410 1014	Ignition Switch	1
2	410 1008	Face Nut	1
3	670 1503	Ignition Switch Boot	1
4	409 6020	Wire Brown 16 Ga. (Mult 12")	AR
5	409 6022	Wire Yellow 16 Ga. (Mult 12")	AR
6	409 6019	Wire Yellow/Stripped Red 16 Ga. (Mult 12")	AR
7	409 6021	Wire Black 16 Ga. (Mult 12")	AR
8		Projector (See Section 3-2 Page 9)	
	409 2023	Receptacle Housing (2 Circ)	1
	409 2014	Receptacle	2
9	409 0019	Open Barrel	1
10	409 2013	Tab Housing	1
	409 2010	Tab	1
	409 2012	Receptacle Housing	1
	409 2014	Receptacle	1
11	409 2014	Receptacle	1
	409 2012	Receptacle Housing	1
	409 9001	Receptacle Housing (Mult 12") b.	1
	409 2010	Tab	1
	409 2013	Tab Housing	1
12		Tail Lamp (See Section 3-2 Page 9)	
13	410 9033	Ignition Switch Block	1
	409 2014	Receptacle	4
	515 0288	Harness Ass'y	1



ITEM NO.	PART NO.	DESCRIPTION	QUANTITY	
			V 399	A 399
1	410 1006	Ignition Switch	1	1
2	410 1008	Face Nut	1	1
3	670 1503	Ignition Switch Boot	1	1
4	410 1012	Light Switch	1	1
5	410 1010	Face Nut	1	1
6	572 1713	Light Switch Knob	1	1
7	409 6020	Wire Brown 16 Ga. (Mult 12")	AR	AR
8	409 6022	Wire Yellow 16 Ga. (Mult 12")	AR	AR
9	409 6021	Wire Black 16 Ga. (Mult 12")	AR	AR
10	409 6019	Wire Yellow/Stripped Red 16 Ga. (Mult 12")	AR	AR
11		Projector (See Section 3-2 Page 11).....	1	1
	409 2023	Receptacle Housing	1	1
	409 2014	Receptacle	2	2
12	409 0017	Open Barrel	1	1
13	409 2010	Tab	1	1
	409 2013	Tab Housing	1	1
	409 2014	Receptacle	1	1
	409 2012	Receptacle Housing	1	1
14	409 2010	Tab	1	1
	409 2013	Tab Housing	1	1
	409 2024	Receptacle	1	1
	409 2012	Receptacle Housing	1	1
15		Tail Lamp (See Section 3-2 Page 11)	1	1
	409 2014	Receptacle	2	2
16	409 0019	Open Barrel	1	1
17	410 9035	Light Switch Block	1	1
	409 2024	Receptacle	2	2
18	410 9033	Ignition Switch Block	1	1
	409 2014	Receptacle	1	1
19	409 2010	Tab	3	3
	409 2019	Tab Housing (6 Circ)	1	1
	409 2014	Receptacle	4	4
	409 2018	Receptacle Housing (6 Circ)	1	1
20	409 0004	Socket Contactor	3	
	409 2028	Socket Housing	1	
	409 0005	Pin Contactor	3	
	409 2029	Pin Housing	1	
21	414 0709	Tachometer (See Section 4-2 Page 7	1	
	515 0300	Harness Ass'y	1	
	515 0303	Harness Ass'y		1

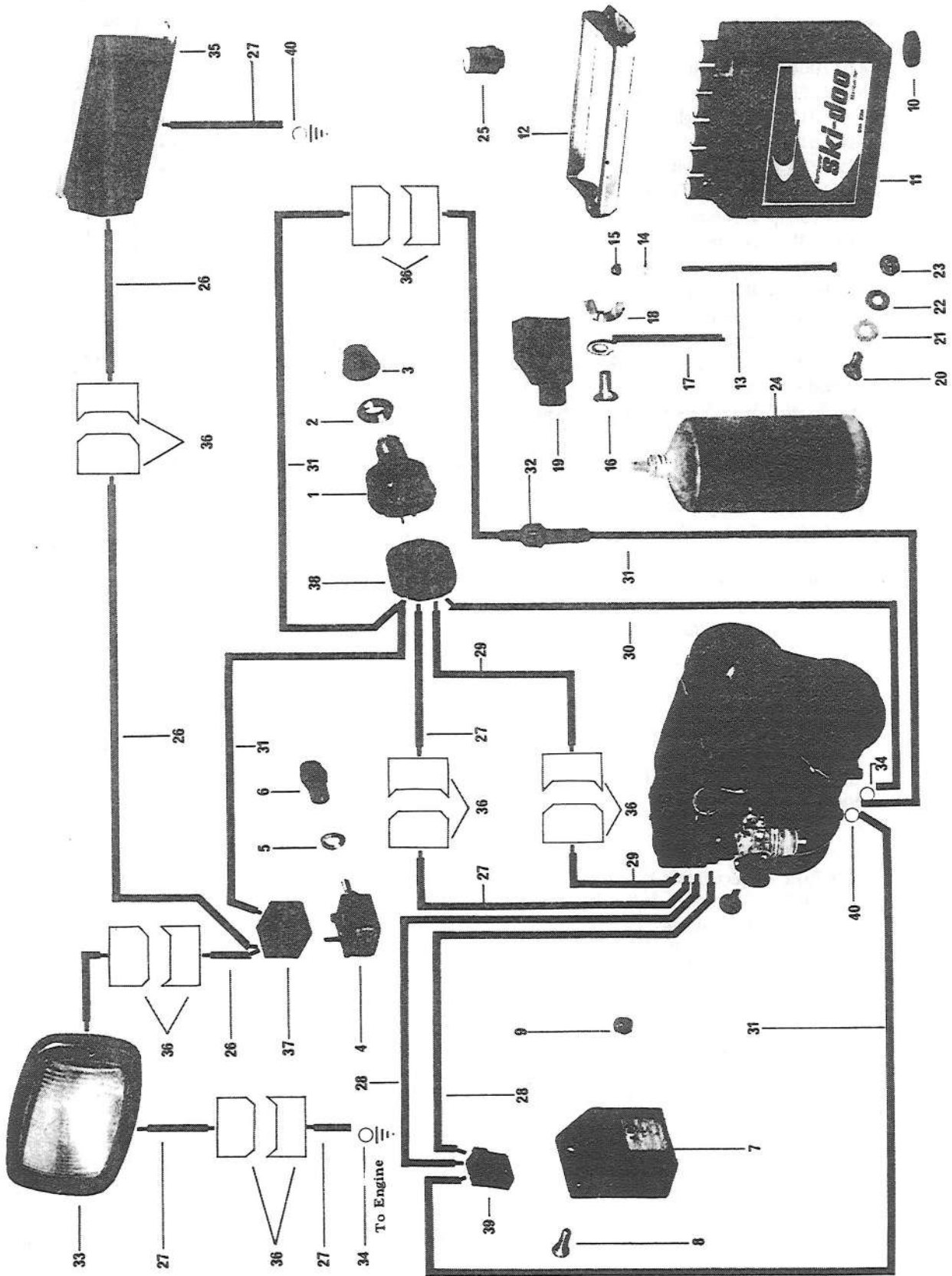




ITEM NO.	PART NO.	DESCRIPTION	QUANTITY	
			399	640
1	410 1009	Ignition Switch	1	1
2	410 1008	Face Nut	1	1
3	670 1503	Ignition Switch Boot	1	1
4	410 1012	Head Light Switch	1	1
5	410 1010	Face Nut	1	1
6	572 1713	Light Switch Knob	1	1
7	572 1711	Lighter Knob	1	1
8	414 0733	Element	1	1
9	414 0732	Socket	1	1
10	414 0734	Retainer	1	1
11	410 9050	Rectifier	1	1
12	320 1064	Screw	2	2
13	386 6013	Nut	2	2
14	409 6020	Wire Brown 16 Ga. (Mult 12")	AR	AR
15	409 6022	Wire Yellow 16 Ga. (Mult 12")	AR	AR
16	409 6019	Wire Yellow/Stripped Red 16 Ga. (Mult 12")	AR	AR
17	409 6021	Wire Black 16 Ga. (Mult 12")	AR	AR
18	409 5022	Wire Green 14 Ga. (Mult 12")	AR	AR
19	409 6025	Wire Red 14 Ga. (Mult 12")	AR	AR
20	410 9054	Fuse Holder	1	1
21	414 0623	Lighter Wire	1	1
22		Protector (See Section 3-2 Page 11)	1	1
	409 2023	Receptacle Housing (2 Circ)	1	1
	409 2014	Receptacle	2	2
23	409 0017	Open Barrel	1	1
24		Tail Lamp (See Section 3-2 Page 11)	1	1
	409 2014	Receptacle	2	2
25	409 2010	Tab	1	1
	409 2013	Tab Housing	1	1
	409 2014	Receptacle	1	1
	409 2012	Receptacle Housing	1	1
26	409 2010	Tab	1	1
	409 2013	Tab Housing	1	1
	409 2024	Receptacle	1	1
	409 2012	Receptacle Housing	1	1
27	410 9035	Light Switch Block	1	1
	409 2024	Receptacle	2	2
28	410 9033	Ignition Switch Block	1	1
	409 2024	Receptacle	1	1
	409 2014	Receptacle	3	3
29	409 2024	Receptacle	1	1
30	409 0019	Open Barrel	1	1
31	409 0020	Open Barrel	1	1
32	410 9034	Rectifier Block	1	1
	409 2014	Receptacle	3	3
33	409 0004	Socket Contactor	3	3
	409 2028	Socket Housing	1	1
	409 0005	Pin Contactor	3	3
	409 2029	Pin Housing	1	1
34	414 0709	Tachometer (See Section 4-2 Page 7)	1	1
	515 0302	Harness Ass'y	1	1
		For Battery & Rack Ass'y, See Section 3-1 Page 25		



ELECTRICAL (ALPINE E)

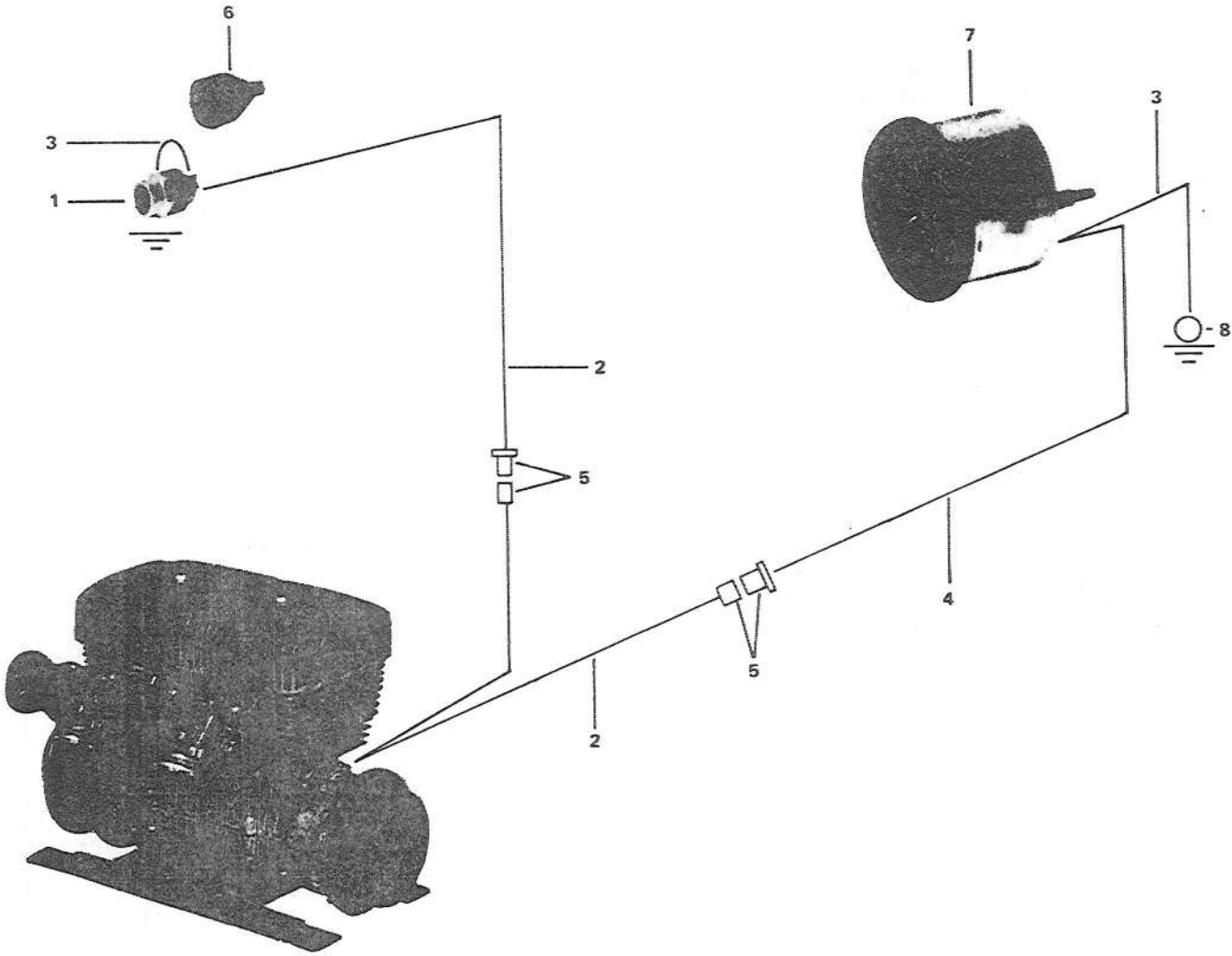


ELECTRICAL (ALPINE E)

1971

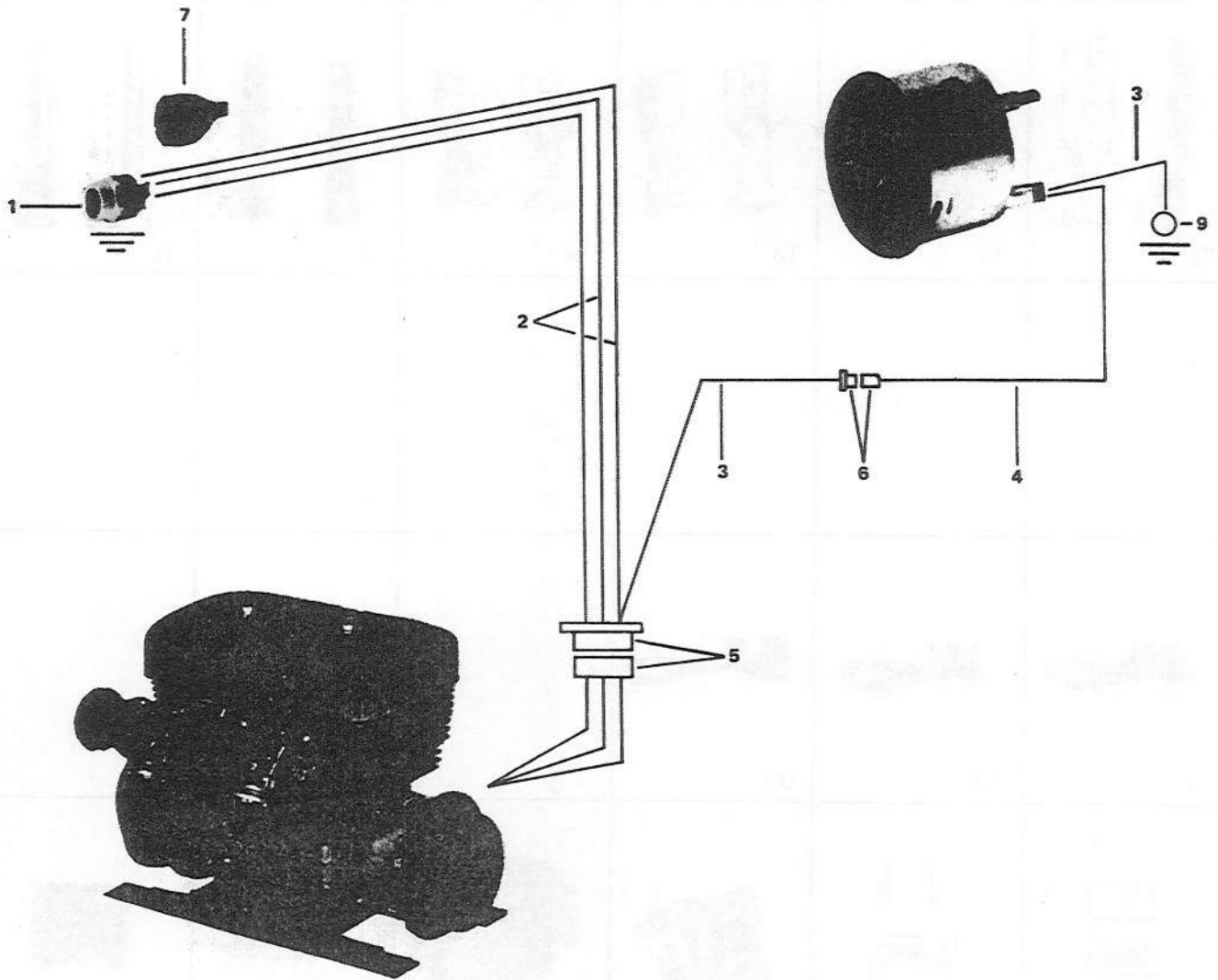
ITEM NO.	PART NO.	DESCRIPTION	QUANTITY	
			399	640
1	410 1009	Ignition Switch	1	1
2	410 1008	Face Nut	1	1
3	670 1503	Ignition Switch Boot	1	1
4	410 1012	Head Light Switch	1	1
5	410 1010	Face Nut	1	1
6	572 1713	Light Switch Knob	1	1
7	410 9050	Rectifier	1	1
8	320 1064	Screw	2	2
9	386 6013	Nut	2	2
10	570 1711	Rubber Washer	4	4
11	410 3002	Battery 12V	1	1
12	515 0256	Battery Cover	1	1
13	515 0096	Rod	2	2
14	399 9015	Washer	2	2
15	387 0019	Nut	2	2
16	360 5020	Bolt (N)	1	1
16	360 5050	Bolt (P)	1	1
17	409 6038	Current Wire	1	1
17	409 6037	Ground Wire	1	1
18	386 4019	Wing Nut (N)	1	1
18	386 4022	Wing Nut (P)	1	1
19	570 1505	Protection Cap	1	1
20	323 2102	Screw	1	1
21	399 9015	Washer	1	1
22	399 8007	Washer	1	1
23	387 2019	Nut	1	1
24	410 3003	Acid Container	1	1
25	410 3004	Battery Cap	6	6
26	409 6020	Wire Brown 16 Ga. (Mult 12")	AR	AR
27	409 6022	Wire Yellow 16 Ga. (Mult 12")	AR	AR
28	409 6019	Wire Yellow/Stripped Red 16 Ga. (Mult 12")	AR	AR
29	409 6021	Wire Black 16 Ga. (Mult 12")	AR	AR
30	109 5022	Wire Green 14 Ga. (Mult 12")	AR	AR
31	409 6025	Wire Red 14 Ga. (Mult 12")	AR	AR
32	410 9054	Fuse Holder	1	1
33		Protector (See Section 3-2 Page 11)	1	1
	409 2023	Receptacle Housing (2 Circ)	1	1
	409 2014	Receptacle	2	2
34	409 0019	Open Barrel	1	1
35		Tail Lamp (See Section 3-2 Page 11)	1	1
	409 2014	Receptacle	1	1
36	409 2014	Receptacle	1	1
	409 2012	Receptacle Housing	1	1
	409 2010	Tab	1	1
	409 2013	Tab Housing	1	1
37	410 9035	Light Switch Block	1	1
	409 2024	Receptacle	1	1
	409 2014	Receptacle	1	1
38	410 9033	Ignition Switch Block	1	1
	409 2024	Receptacle	1	1
	409 2014	Receptacle	3	3
39	410 9034	Rectifier Block	1	1
	409 2014	Receptacle	1	1
40	409 0020	Open Barrel	1	1





ITEM NO.	PART NO.	DESCRIPTION	QUANTITY	
			246	15"
1	561 5001	Shorting Button	1	1
	409 0019	Open Barrel	2	2
2	409 6021	Wire Black 16 Ga (Mult 12")	AR	AR
3	409 6022	Wire Yellow 16 Ga (Mult 12")	AR	AR
4	409 6019	Wire Yellow/stripped Red (Mult 12")	AR	AR
5	409 2010	Tab		1
	409 2013	Tab Housing		1
	409 2014	Receptacle		1
	409 2012	Receptacle Housing		1
6	570 0607	Rubber Protector	1	1
7	414 0803	Tachometer		1
8	409 0019	Open Barrel		1

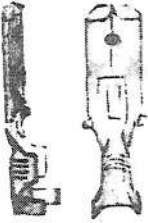
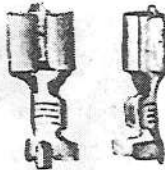
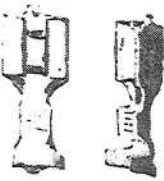
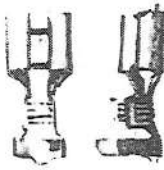
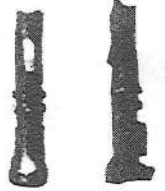
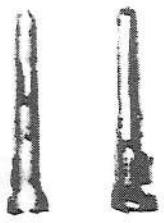




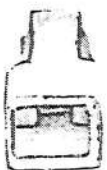

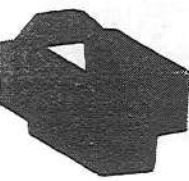
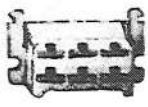






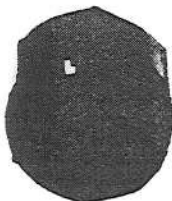

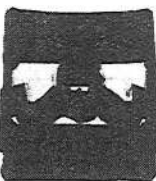




ITEM NO.	PART NO.	DESCRIPTION	QUANTITY 16-1/2"
1	410 1015	Shorting Button	1
	409 0019	Open Barrel	3
2	409 6021	Wire Black 16 Ga (Mult 12")	AR
3	409 6022	Wire Yellow 16 Ga (Mult 12")	AR
4	409 6019	Wire Yellow/Stripped Red (Mult 12")	AR
5	409 2010	Tab	3
	409 2019	Tab Housing	1
	409 2014	Receptacle	3
	409 2018	Receptacle Housing	1
6	409 2010	Tab	1
	409 2013	Tab Housing	1
	409 2014	Receptacle	1
	409 2012	Receptacle Housing	1
7	570 0607	Rubber Protector	1
8	414 0887	Tachometer	1
9	409 0019	Open Barrel	1



TERMINAL

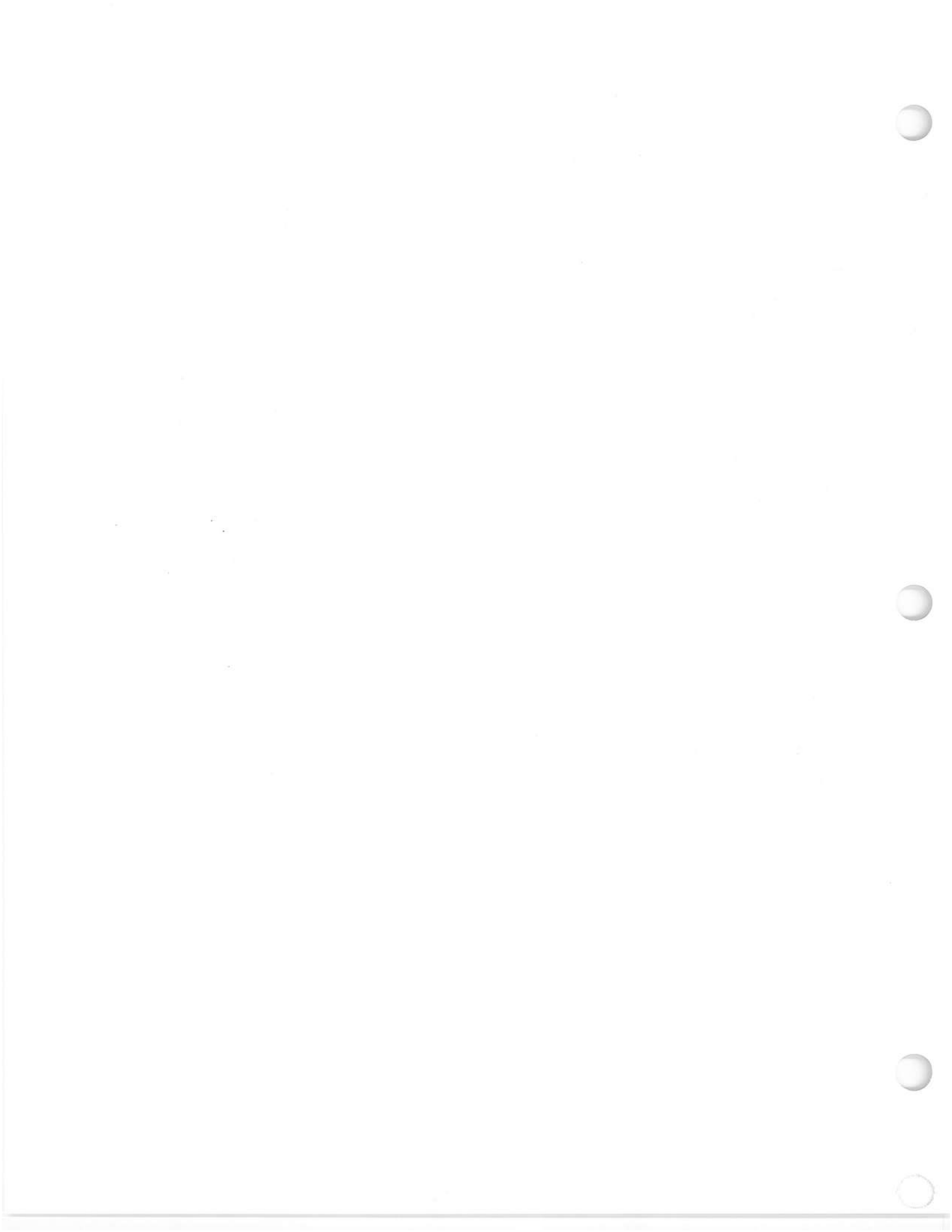
 <p>T1</p>	 <p>T2</p>	 <p>T3</p>	 <p>T4</p>	 <p>T5</p>	 <p>T6</p>
 <p>O1</p>	 <p>O2</p>	 <p>O3</p>			
 <p>H1</p>	 <p>H2</p>	 <p>H3</p>	 <p>H4</p>	 <p>H5</p>	 <p>H6</p>
 <p>H7</p>	 <p>H8</p>	 <p>H9</p>	 <p>H10</p>	 <p>H11</p>	
 <p>B1</p>	 <p>B2</p>	 <p>B3</p>			



TERMINAL

ITEM NO.	PART NO.	DESCRIPTION	QUANTITY
TERMINAL (T)			
T1	409 2010	Tab	Kit of 10
T2	409 2014	Receptacle	Kit of 5
T3	409 2022	Receptacle	Kit of 5
T4	409 2024	Receptacle	Kit of 5
T5	409 0004	Socket Contactor	Kit of 5
T6	409 0005	Pin Contactor	Kit of 5
OPEN BARREL (O)			
O1	409 0018	Open Barrel	Kit of 5
O2	409 0019	Open Barrel	Kit of 5
O3	409 0020	Open Barrel	Kit of 5
HOUSING (H)			
H1	409 2013	Tab Housing	Kit of 5
H2	409 2012	Receptacle Housing	Kit of 5
H3	409 2023	Receptacle Housing (2 Circ)	Kit of 5
H4	409 2027	Receptacle Housing (3 Circ)	Kit of 5
H5	409 2019	Tab Housing (6 Circ)	1
H6	409 2018	Receptacle Housing (6 Circ)	1
H7	409 2021	Tab Housing (8 Circ)	1
H8	409 2020	Receptacle Housing (8 Circ)	1
H9	409 2028	Socket Housing	1
H10	409 2029	Pin Housing	1
H11	409 9004	Joint Connector	1
BLOCK (B)			
B1	410 9033	Ignition Switch Block	1
B2	410 9034	Rectifier Block	1
B3	410 9035	Light Switch Block	1





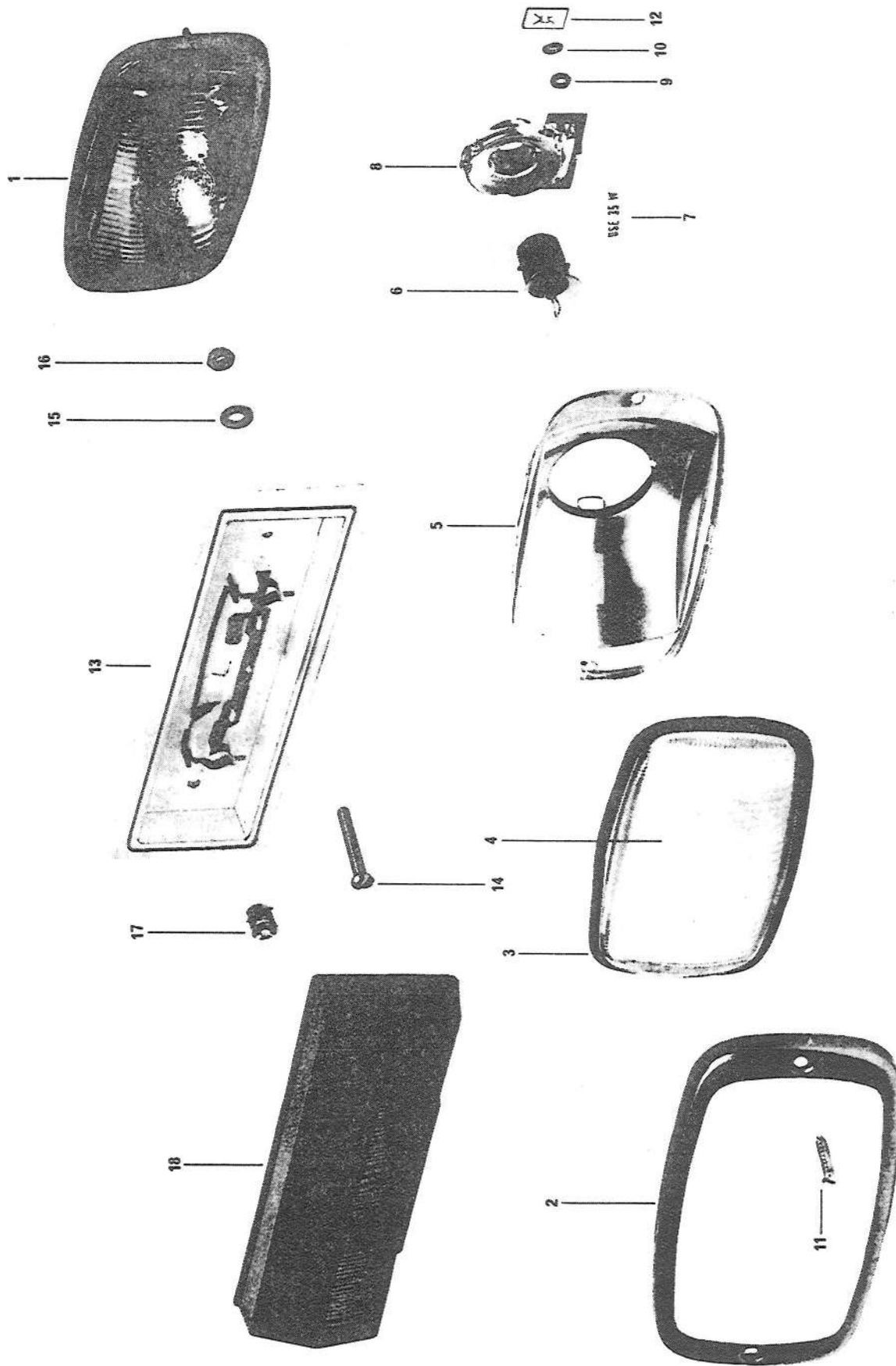
LAMP HOUSING

SECTION 3-2

HEADLAMP
MECHANISM
TAIL LAMP



LAMP HOUSING (ELAN)



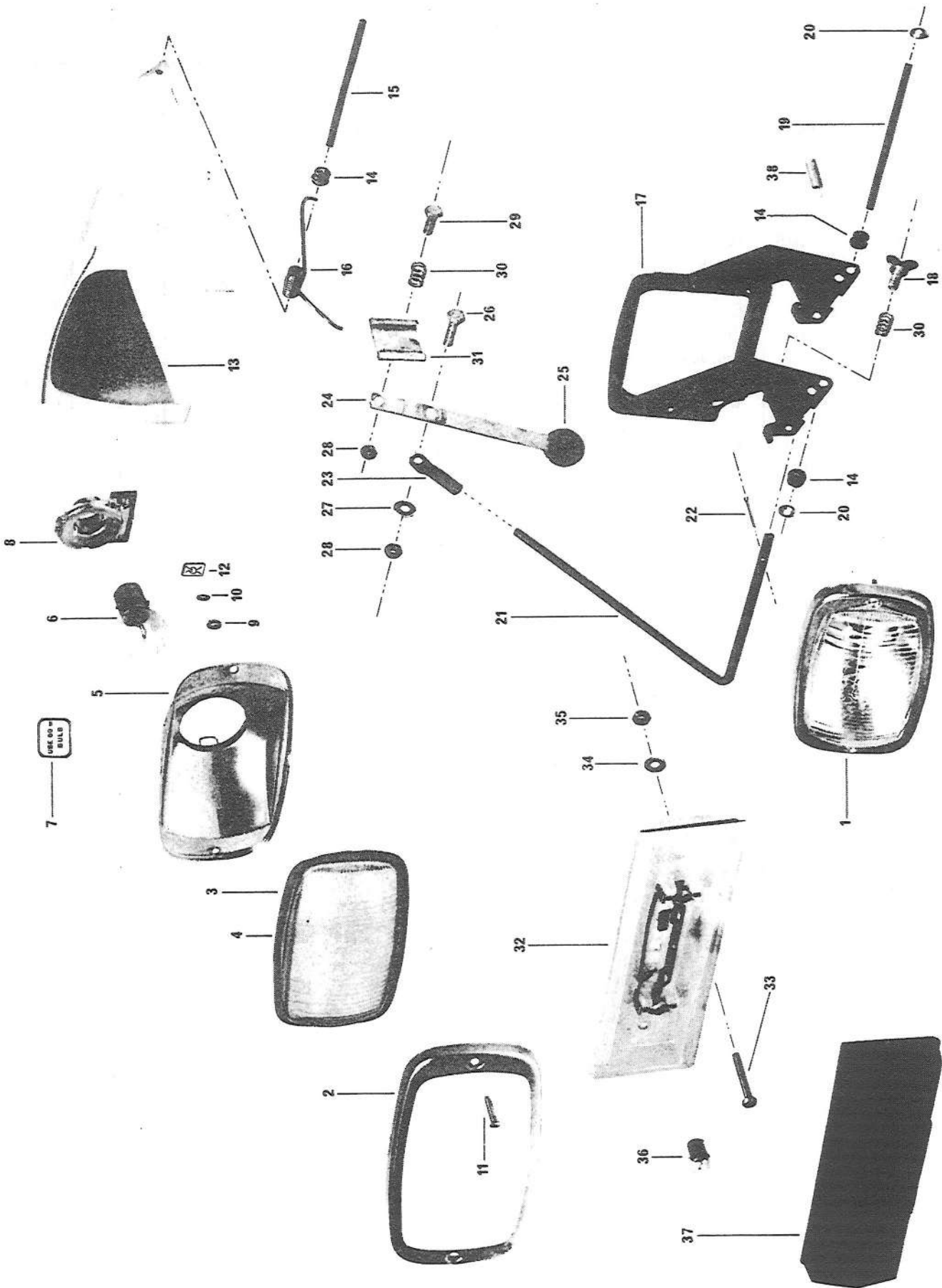
ITEM NO.	PART NO.	DESCRIPTION	QUANTITY	
			250	250E
1	410 6010	Projector	1	1
2	410 6012	Chromed Ring	1	1
3	410 6013	Rubber Ring	1	1
4	410 6014	Lens	1	1
5	C.S.A.	Reflector	1	1
6	410 5009	Bulb 35W 12V	1	1
7	414 0280	Label 35W	1	1
8	410 6015	Socket	1	1
9	C.S.A.	Blank	2	2
10	C.S.A.	Washer	2	2
11	410 6011	Screw	2	2
12	389 8010	Speed Nut	2	2
13	410 9051	Tail Lamp Housing	1	1
14	320 1064	Screw	2	2
15	399 9018	Washer	2	2
16	386 6013	Nut	2	2
17	410 5006	Bulb	2	2
18	410 9052	Lens	1	1

Symbol "C.S.A.": Item numbers coded "C.S.A." are for components superseded by complete. Individual parts are no longer available.

Les pièces codées: "C.S.A.", sont les pièces individuelles (non disponibles seules) remplacées par l'assemblée complète.



LAMP HOUSING (OLYMPIQUE - T'NT 15'')



USE OR BUILD



LAMP HOUSING (OLYMPIQUE - T'NT 15")

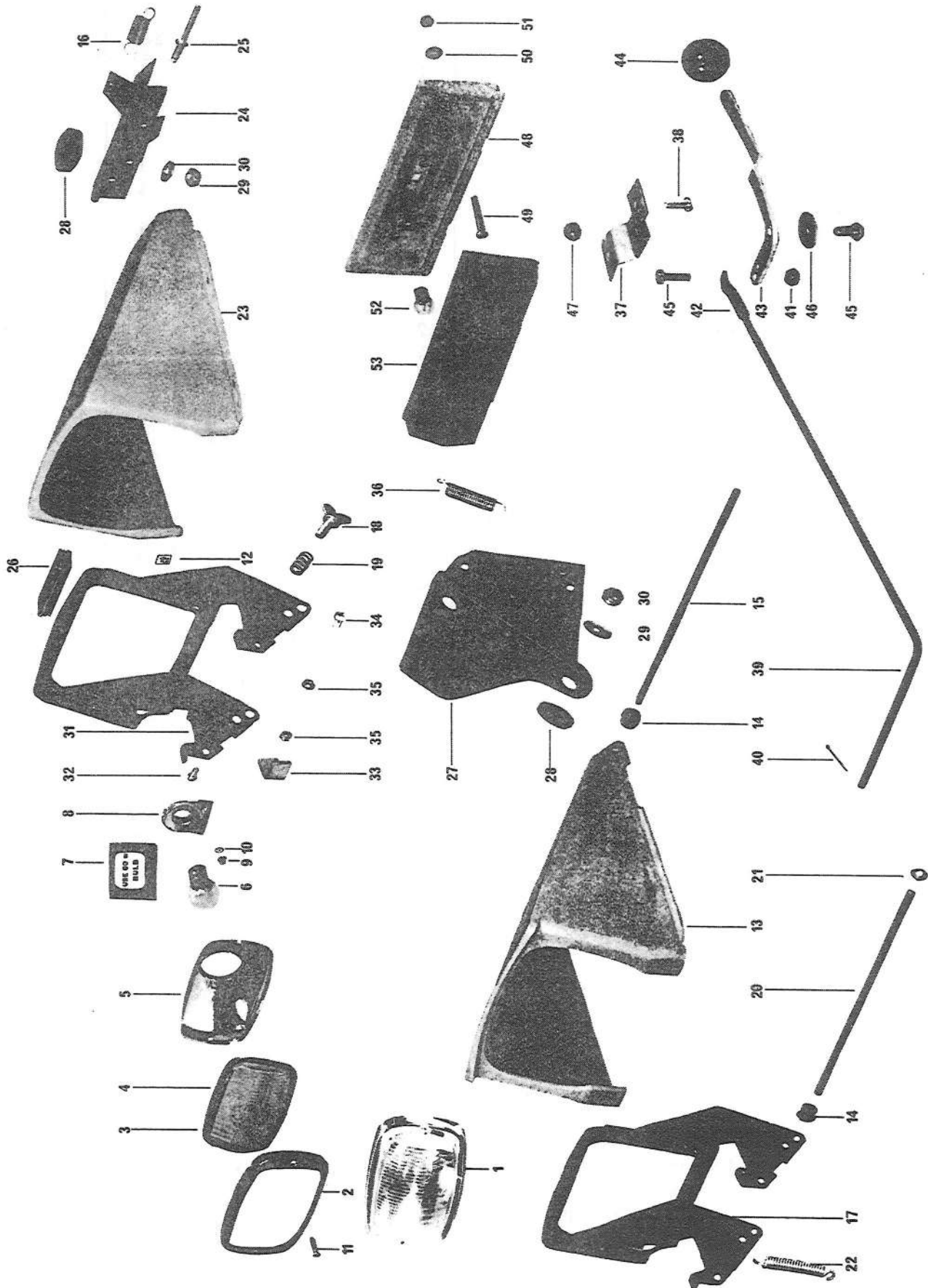
1971

ITEM NO.	PART NO.	DESCRIPTION	QUANTITY						T'NT 292	T'NT 340
			300	335	335E	399	399E			
1	410 6010	Protector	1	1	1	1	1	1	1	
2	410 6012	Chromed Ring	1	1	1	1	1	1	1	
3	410 6013	Rubber Ring	1	1	1	1	1	1	1	
4	410 6014	Lens	1	1	1	1	1	1	1	
5	C.S.A.	Reflector	1	1	1	1	1	1	1	
6	410 5009	Bulb 35W 12V	1	1	1		1			
6	410 5011	Bulb 60W				1		1	1	
7	414 0280	Label 35W	1	1	1		1			
7	414 0476	Label 60W				1		1	1	
8	410 6015	Socket	1	1	1	1	1	1	1	
9	C.S.A.	Blank	2	2	2	2	2	2	2	
10	C.S.A.	Washer	2	2	2	2	2	2	2	
11	410 6011	Screw	2	2	2	2	2	2	2	
12	389 8010	Speed Nut	2	2	2	2	2	2	2	
13	572 1724	Head Lamp Housing	1	1	1	1	1			
14	570 1750	Grommet	4	4	4	4	4			
15	517 0246	Hinge Pin	1	1	1	1	1			
16	414 0620	Spring	1	1	1	1	1			
17	515 0253	Head Lamp Ring	1	1	1	1	1			
18	369 9011	Adjusting Screw	1	1	1	1	1			
19	517 0188	Hinge Pin	1	1	1	1	1			
20	389 8043	Push Nut	4	4	4	4	4			
21	515 0231	Control Rod	1	1	1	1	1			
22	371 0011	Cotter Pin	2	2	2	2	2			
23	515 0232	Adjuster Tube	1	1	1	1	1			
24	515 0233	Control Lever	1	1	1	1	1			
25	572 1502	Control Knob	1	1	1	1	1			
26	300 1001	Screw	1	1	1	1	1			
27	399 9041	Spring Washer	1	1	1	1	1			
28	386 6119	Nut	2	2	2	2	2			
29	300 1003	Screw	1	1	1	1	1			
30	414 0616	Spring	2	2	2	2	2			
31	515 0234	Insert	1	1	1	1	1			
32	410 9051	Tail Lamp Housing	1	1	1	1	1	1	1	
33	320 1064	Screw	2					2	2	
33	320 1063	Screw		2	2	2	2			
34	399 9018	Washer	2	2	2	2	2	2	2	
35	386 6013	Nut	2	2	2	2	2	2	2	
36	410 5006	Bulb	2	2	2	2	2	2	2	
37	410 9052	Lens	1	1	1	1	1	1	1	
38	414 0459	Spring	1	1	1	1	1			

Symbol "C.S.A.": Item numbers coded "C.S.A." are for components superseded by complete. Individual parts are no longer available.

Les pièces codées "C.S.A." sont les pièces individuelles (non disponibles seules) remplacées par l'assemblée complète.





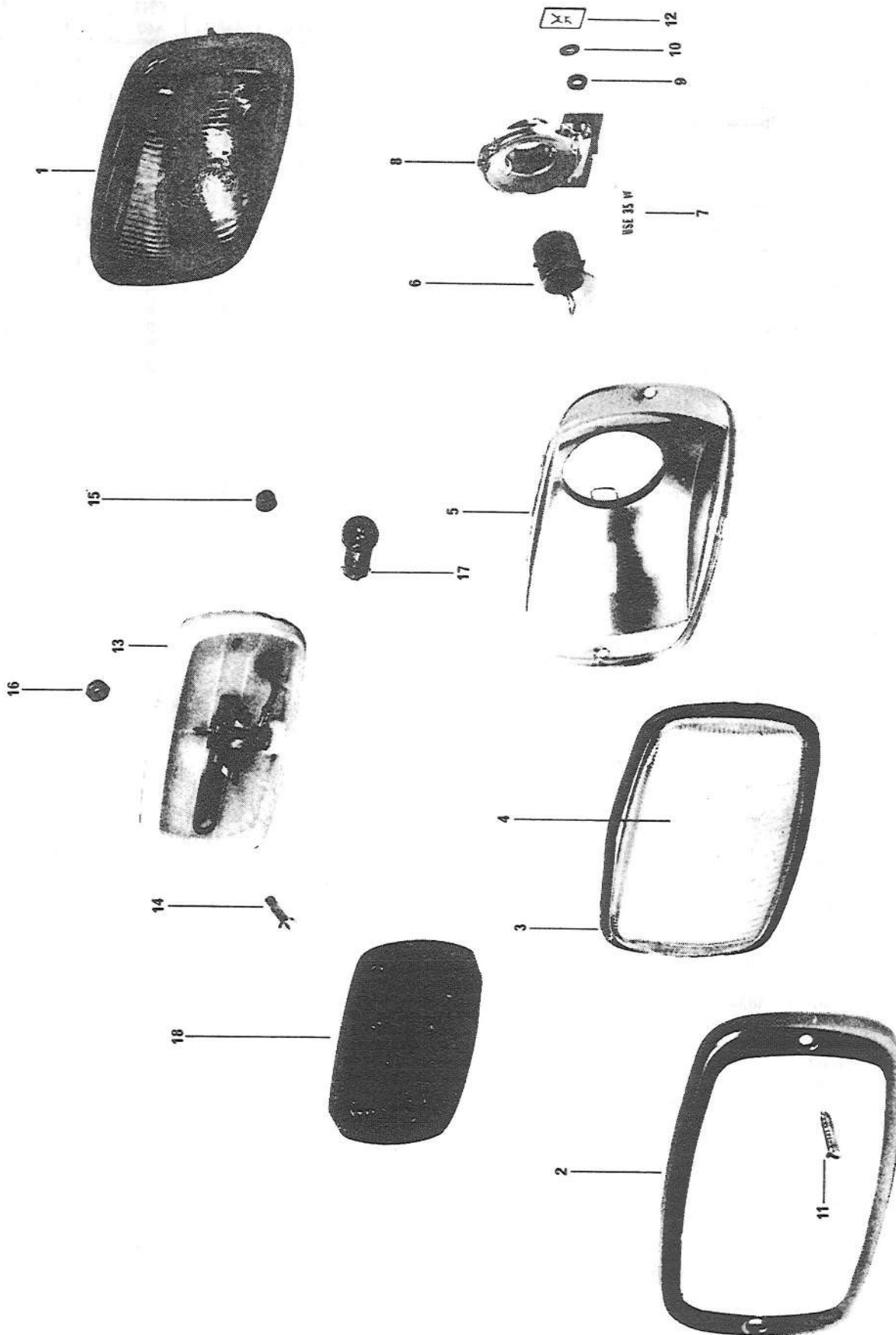
LAMP HOUSING (NORDIC - T'NT 18")

1971

ITEM NO.	PART NO.	DESCRIPTION	QUANTITY					
			399	399E	640E	T'NT 440	T'NT 640	T'NT 775
1	410 6010	Projector	1			1	1	1
1	410 6017	Projector		1	1			
2	410 6012	Chromed Ring	1	1	1	1	1	1
3	410 6013	Rubber Ring	1	1	1	1	1	1
4	410 6014	Lens	1	1	1	1	1	1
5	C.S.A.	Reflector	1	1	1	1	1	1
6	410 5011	Bulb 60W	1			1	1	1
6	410 5012	Bulb 35W 17.5V		1	1			
7	414 0476	Label 60W	1			1	1	1
7	414 0280	Label 35W		1	1			
8	410 6015	Socket	1			1	1	1
8	410 6020	Socket		1	1			
9	C.S.A.	Blank	2	2	2	2	2	2
10	C.S.A.	Washer	2	2	2	2	2	2
11	410 6011	Screw	2	2	2	2	2	2
12	389 8010	Speed Nut	2	2	2	2	2	2
13	561 7036	Headlamp Housing	1	1				
14	570 1750	Grommet	4	4				
15	517 0212	Hinge Pin	1	1				
16	414 0229	Spring	1	1	1			
17	515 0253	Head Lamp Ring	1	1				
18	369 9011	Adjusting Screw	1	1	1			
19	414 0616	Spring	1	1	1			
20	517 0188	Hinge Pin	1	1				
21	389 8043	Push Nut	4	4				
22	414 0459	Spring	1	1				
23	561 7036	Head Lamp Housing			1			
24	582 1016	Hinge Assembly			1			
25	390 4013	Rivet			4			
26	107 7002	Spacer Strip (Mult. 12")			AR			
27	515 0174	Head Lamp Support			1			
28	570 1711	Insulator Rubber			10			
29	399 9008	Washer			5			
30	387 5019	Nut			5			
31	515 0142	Headlamp Ring			1			
32	320 1062	Screw			1			
33	515 0157	Stop Bracket			1			
34	320 1061	Screw			1			
35	387 3013	Nut			2			
36	414 0246	Spring			1			
37	517 0259	Control Bracket	1	1				
38	365 0008	Screw	2	2				
39	517 0261	Control Rod	1	1				
39	517 0261	Control Rod			1			
40	371 0011	Cotter Pin	2	2	2			
41	386 6019	Nut	1	1	1			
42	515 0232	Adjuster Tube	1	1	1			
43	517 0260	Control Lever	1	1				
43	517 0275	Control Lever			1			
44	572 1502	Control Knob	1	1	1			
45	300 1001	Screw	2	2	2			
46	399 9041	Spring Washer	2	2	2			
47	386 6019	Nut	2	2	2			
48	410 9051	Tail Lamp Housing	1	1	1	1	1	1
49	320 1063	Screw	2	2	2			
49	320 1064	Screw				2	2	2
50	399 9018	Washer	2	2	2	2	2	2
51	386 6013	Nut	2	2	2	2	2	2
52	410 5006	Bulb	2	2	2	2	2	2
53	410 9052	Lens	1	1	1	1	1	1



LAMP HOUSING (SKANDIC)



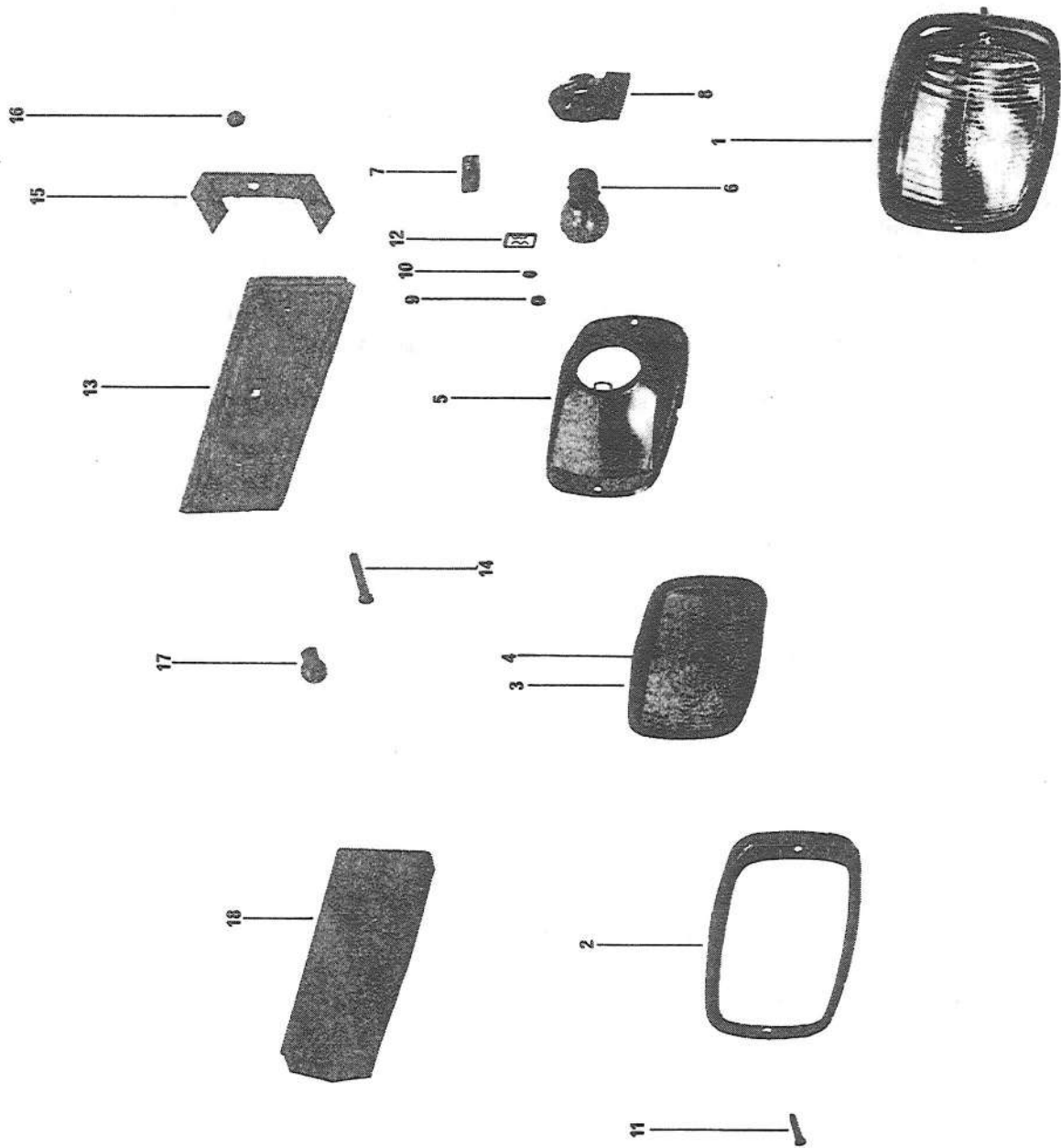
ITEM NO.	PART NO.	DESCRIPTION	QUANTITY
			335
1	410 6010	Projector	1
2	410 6012	Chrome Ring	1
3	410 6013	Rubber Ring	1
4	410 6014	Lens	1
5	C.S.A.	Reflector	1
6	410 5009	Bulb 35W 12V	1
7	410 0280	Label 35W	1
8	410 6015	Socket	1
9	C.S.A.	Blank	2
10	C.S.A.	Washer	2
11	410 6011	Screw	2
12	389 8010	Speed Nut	2
13	410 9047	Tail Lamp Housing	1
14	320 1061	Screw	2
15	414 0512	Grommet	2
16	386 6013	Nut	2
17	410 5006	Bulb	2
18	410 9019	Lens	1

Symbol "C.S.A.": Item numbers coded "C.S.A." are for components superseded by complete, individual parts are no longer available.

Les pièces codées "C.S.A." sont les pièces individuelles (non disponibles seules) remplacées par l'assemblée complète.



LAMP HOUSING (VALMONT - ALPINE)



LAMP HOUSING (VALMONT - ALPINE)

1971

ITEM NO.	PART NO.	DESCRIPTION	QUANTITY					
			V 399R	V 399ER	V 640ER	A 399R	A 399ER	A 640ER
1	410 6010	Projector	1	1	1	1	1	1
2	410 6012	Chromed Ring	1	1	1	1	1	1
3	410 6013	Rubber Ring	1	1	1	1	1	1
4	410 6014	Lens	1	1	1	1	1	1
5	C.S.A.	Reflector	1	1	1	1	1	1
6	410 5011	Bulb 60W	1			1		
6	410 5009	Bulb 35W		1	1		1	1
7	414 0476	Label 60W	1			1		
7	414 0280	Label 35W		1	1		1	1
8	410 6015	Socket	1	1	1	1	1	1
9	C.S.A.	Blank	2	2	2	2	2	2
10	C.S.A.	Washer	2	2	2	2	2	2
11	410 6011	Screw	2	2	2	2	2	2
12	389 8010	Speed Nut	2	2	2	2	2	2
13	410 9051	Tail Lamp Housing	1	1	1	1	1	1
14	320 1064	Screw	2	2	2	2	2	2
15	517 0313	Bracket	2	2	2	2	2	2
16	386 6013	Nut	2	2	2	2	2	2
17	410 5006	Bulb	2	2	2	2	2	2
18	410 9052	Lens	1	1	1	1	1	1





ROTAX

SECTION 3-3

MAGNETO GENERATOR ELECTRIC STARTER



Cat. No. 480 1016



March 1970.

SECTION 3-3 - PAGE 1

MAGNETO GENERATOR 12V 40W MANUAL

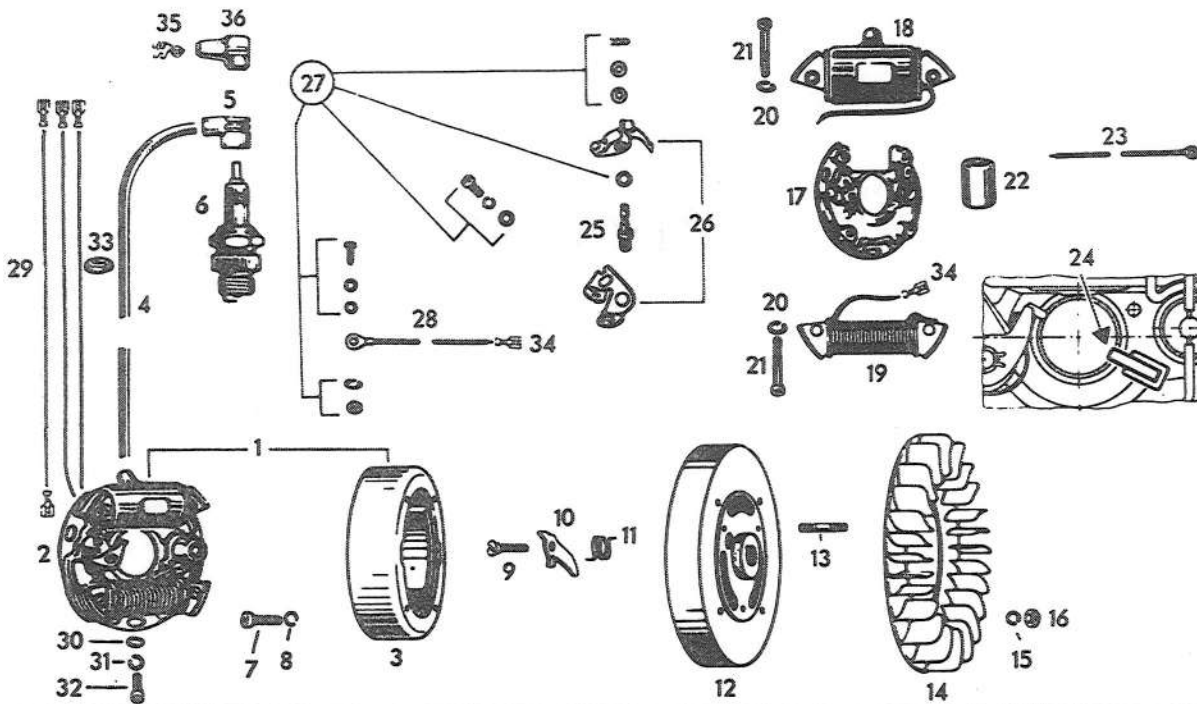
247 FOR ELAN 250

302 FOR OLYMPIQUE 300

292 FOR T'NT 292

337 FOR OLYMPIQUE 335 SKANDIC

342 FOR T'NT 340



ITEM NO.	PART NO.	DESCRIPTION	QUANTITY				
			247	292	302	337	342
1	402 4238	Magneto Generator Ass'y 12V40W	1	1	1	1	1
2	402 4239	Armature Plate Ass'y	1	1	1	1	1
3	402 4019	Magneto Ring	1	1	1	1	1
4	402 4074	Ignition Cable 390mm	1				
4	402 4106	Ignition Cable 480mm		1	1	1	1
5	402 4076	Spark Plug Protection	1	1	1	1	1
6	402 4079	Spark Plug M240, T1	1		1	1	
6	402 4080	Spark Plug M280 T31		1			1
7	402 4027	Cyl. Screw w/Int. Hex M6 x 22	4	4	4	4	4
8	402 0015	Lock Washer 6	4	4	4	4	4
9	402 4094	Bearing Screw M6 Cent. Weight	1	1	1	1	1
10	402 0146	Centrifugal Weight	1	1	1	1	1
11	402 4096	Spring Centrifugal Weight	1	1	1	1	1
12	402 4032	Magneto Housing	1	1	1	1	1
9-12	402 4105	Magneto Housing Ass'y	1	1	1	1	1
13	402 4089	Stud M6 x 15 Starting Pulley	2	2	2	2	2
14	402 4034	Fan	1	1	1	1	1
15	402 0015	Lock Washer 6	4	4	4	4	4
16	402 2053	Hex. Nut M6	4	4	4	4	4
17	402 4037	Armature Plate Alone	1	1	1	1	1
18	402 4040	Ignition Coil	1	1	1	1	1
19	402 4240	Lighting Coil w/Cable 590mm	1	1	1	1	1
20	402 4024	Lock Washer 5	4	4	4	4	4
21	402 4048	Cyl. Screw M5 x 28	4	4	4	4	4
22	402 4068	Condenser	1	1	1	1	1
23	402 4070	Cable Condenser	1	1	1	1	1
24	402 4116	Lubricating Wick (To Be Inserted)	1	1	1	1	1



MAGNETO GENERATOR 12V 40W MANUAL

1971

247 FOR ELAN 250

302 FOR OLYMPIQUE 300

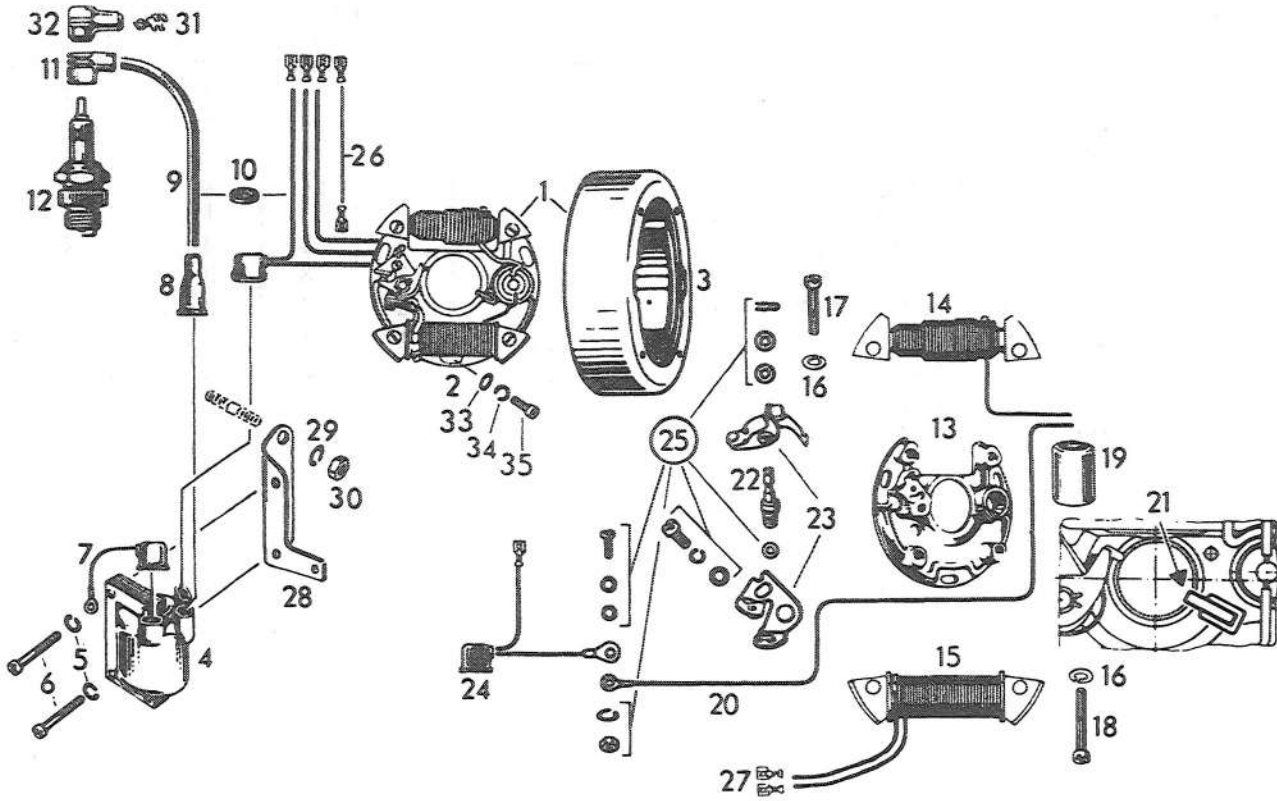
292 FOR T'NT 292

337 FOR OLYMPIQUE 335 SKANDIC

342 FOR T'NT 340

ITEM NO.	PART NO.	DESCRIPTION	QUANTITY				
			247	292	302	337	342
25	402 4049	Pivot Pin Contact Breaker	1	1	1	1	1
26	402 4050	Contact And Breaker Points Set	1	1	1	1	1
27	402 7016	Parts Set	1	1	1	1	1
28	402 4061	Shorting Cable 560mm	1	1	1	1	1
29	402 4226	Rear Light Cable Ass'y Brown 510mm	1		1	1	
30	402 4133	Washer 5.3 Armature Plate	3	3	3	3	3
31	402 4024	Lock Washer 5 Armature Plate	3	3	3	3	3
32	402 4241	Cyl. Screw M5 x 18 W. Int. Hex	3	3	3	3	3
33	402 0148	Rubber P Ring	1	1	1	1	1
34	402 4176	Faston Connector 6.3	2	2	2	2	2
35	402 4244	Clamp Spark Plug	1	1	1	1	1
36	402 4243	Cap. Spark Plug Protector	1	1	1	1	1





ITEM NO.	PART NO.	DESCRIPTION	QUANTITY	
			247E	337E
1	402 4257	Magneto Generator Ass'y 12V 75W	1	1
2	402 4258	Armature Plate With Cables	1	1
3	402 4167	Magneto Ring	1	1
4	402 7008	Ignition Coil	1	1
5	402 4024	Lock Washer 5	3	3
6	402 7004	Cyl. Screw M5 x 22	1	
6	402 2229	Cyl. Screw M5 x 20		1
7	402 7062	Mass Cable Ass'y Yellow 80MM	1	1
8	402 7003	Protection Cap, Ignition Coil-Cable	1	1
9	402 4248	Ignition Cable 360MM	1	
9	402 7006	Ignition Cable 465MM		1
10	402 0148	Rubber Ring	1	1
11	402 4076	Spark Plug Protector Ass'y	1	1
12	402 4079	Spark Plug M240 T1	1	1
13	402 4037	Armature Plate Alone	1	1
14	402 7063	Generator Coil With Cable, Black	1	1
15	402 4240	Lighting Coil With 2 Cables 510MM	1	1
16	402 4024	Lock Washer 5	4	4
17	402 4147	Cyl. Screw M5 x 20	2	2
18	402 4048	Cyl. Screw M5 x 28	2	2
19	402 4068	Condenser	1	1
20	402 4070	Cable Condenser	1	1
21	402 4116	Lubricating Wich (To Be Inserted)	1	1



MAGNETO GENERATOR 12V 75W ELECTRIC

1971

247 FOR ELAN 250E

337 FOR OLYMPIQUE 335E

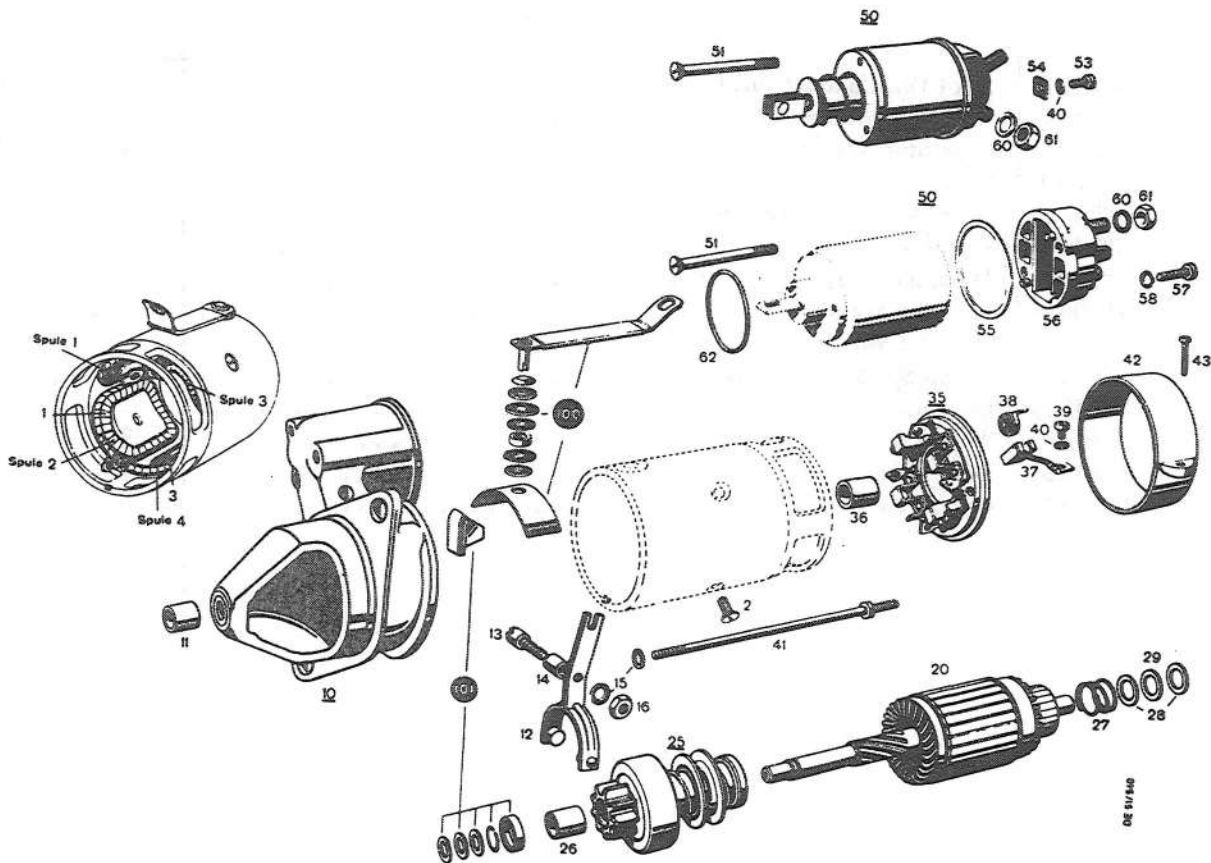
ITEM NO.	PART NO.	DESCRIPTION	QUANTITY	
			247	337
22	402 4049	Pivot Pin, Contract Breaker	1	1
23	402 4050	Contract And Breaker Point Set	1	1
24	402 7077	Generator And Shorting Cable Ass'y	1	1
25	402 7016	Parts Set	1	1
26	402 4226	Rear Light Cable Ass'y Brown 510MM	1	1
27	402 4176	Faston Connector 6.3	2	2
28	402 4242	Mounting Flange Ignition Coil		1
29	402 0016	Lock Washer 8		1
30	402 2041	Hex Nut M8		1
31	402 4244	Clamp Spark Plug Protector	1	1
32	402 4243	Cap Spark Plug Protector	1	1
33	402 4133	Washer 5.3, Armature Plate	3	3
34	402 4024	Lock Washer 5, Armature Plate	3	3
35	402 4241	Cyl. Screw M5 x 18 W. Int. Hex.	3	3



BOSCH ELECTRIC STARTER, SPARE PARTS

247 FOR ELAN 250E

337 FOR OLYMPIQUE 335E



ITEM NO.	PART NO.	DESCRIPTION	QUANTITY	
			247	337
1	402 7052	Field Winding, Coils 1 & 2	1	1
1	402 7053	Field Winding Coils 3 & 4	1	1
2	402 7020	CounterSunk Screw M6 x 10	4	4
2	402 7073	Countersunk Screw M8 x 10	4	4
3	402 7069	Connecting Rail	1	1
10-11	402 7050	Drive End Bracket Ass'y	1	1
11	402 7023	Bearing Bushing	1	1
12	402 7025	Engaging Lever	1	1
13	402 7026	Screw M5	1	1
14	402 7027	Bushing	1	1
15	402 4024	Lock Washer 5	3	3
16	402 7049	Hex Nut M5	1	1
20	402 7056	Armature	1	1
25-26	402 7029	Drive Ass'y	1	1
26	402 7024	Bearing Bushing	2	2
27	402 7030	Helical Spring, Armature Brake	1	1
28	402 7032	Washer 10.3	2	2
29	402 7033	Isolating Washer 10.3	1	1
35	402 7034	Commutator End Bracket Ass'y	1	1
36	402 7023	Bearing Bushing	1	1
37	402 7035	Carbon Brush Set, 4 Pieces	1	1
38	402 7031	Carbon Brush Spring	4	4



BOSCH ELECTRIC STARTER, SPARE PARTS

1971

247 FOR ELAN 250E

337 FOR OLYMPIQUE 335E

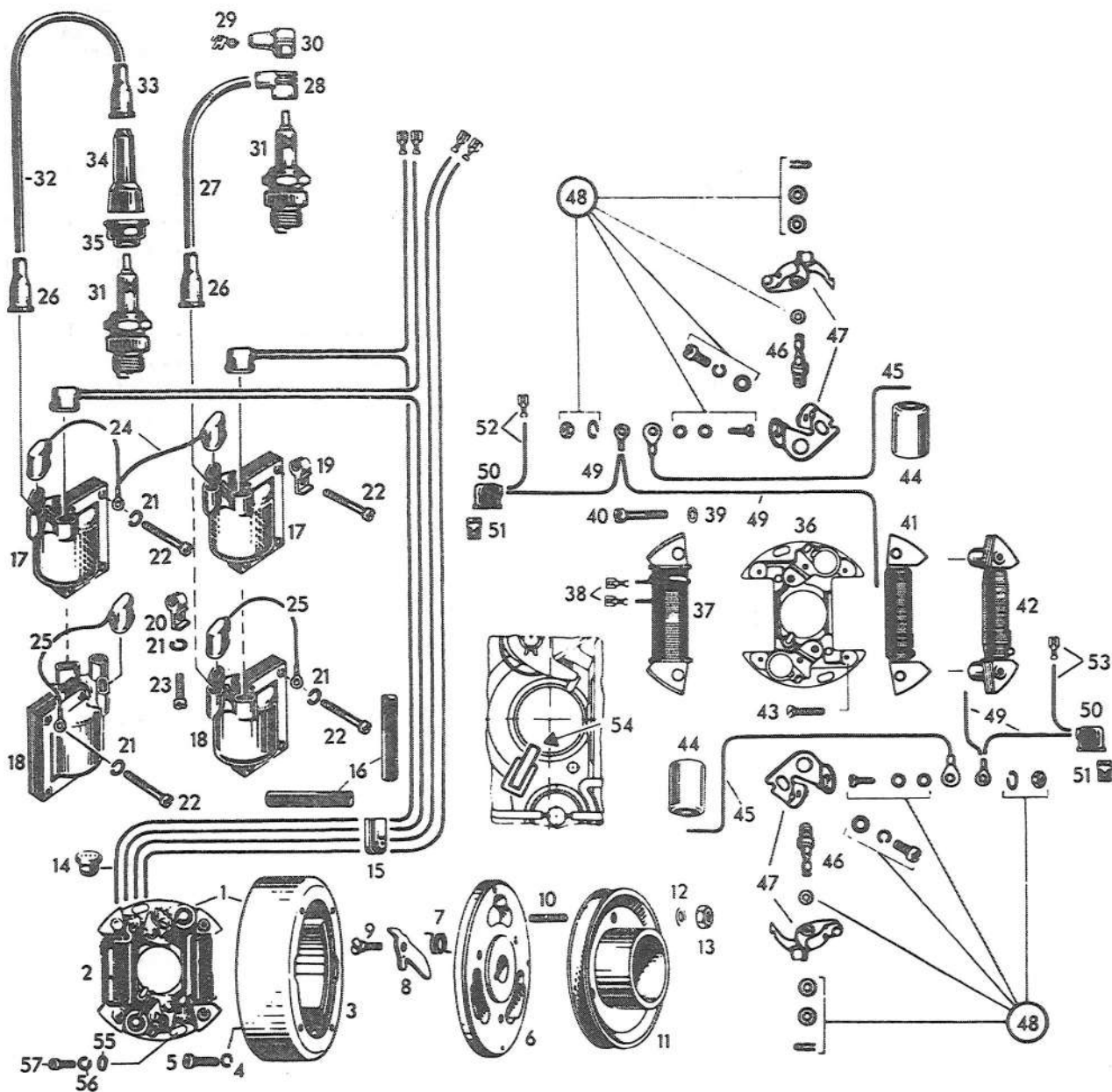
ITEM NO.	PART NO.	DESCRIPTION	QUANTITY	
			247	337
39a	402 7036	Cyl. Screw M4 x 8	2	2
39b	402 7037	Cyl. Screw M4 x 6	2	2
40	402 7016	Lock Washer 4	4	4
41	402 7048	Screw M5	2	2
42	402 7040	Closing Band	1	1
43	402 2158	Cyl. Screw M4 x 16	1	1
50	402 7041	Relay Ass'y	1	1
51	402 7042	Countersunk Screw M5 x 50	3	3
53	402 7036	Cyl. Screw M4 x 8	1	1
54	402 7043	Plate	1	1
60	402 0016	Lock Washer 8	1	1
61	402 7044	Hex. Nut M8	1	1
100	402 7045	Parts Set For Terminal	1	1
101	402 7046	Parts Set For Armature	1	1



MAGNETO GENERATOR 12V 75W MAGNETO HOUSING

401 FOR OLYMPIQUE 399 - NORDIC 399
VALMONT 399 - ALPINE 399

640 FOR NORDIC 640 - VALMONT 640
ALPINE 640



ITEM NO.	PART NO.	DESCRIPTION	QUANTITY	
			401	640
1 + 16	402 4254	Magneto Generator Ass'y 12V 75W	1	1
2 + 16	402 4256	Armature Plate Ass'y	1	1
3	402 4167	Magneto Ring	1	1
4	402 0015	Lock Washer 6	4	4
5	402 4148	Cyl. Screw With Int. Rex M6 x 10.5	4	4
6	402 4149	Magneto Housing	1	1
7	402 4096	Spring Centrifugal Weight	1	1
8	402 0146	Centrifugal Weight	1	1
9	402 4118	Bearing Screw Centrifugal Weight	1	1
10	402 5050	Stud M8 x 15	3	3



MAGNETO GENERATOR 12V 75W MAGNETO HOUSING

1971

401 FOR OLYMPIQUE 399 - NORDIC 399
VALMONT 399 - ALPINE 399

640 FOR NORDIC 640 - VALMONT 640
- ALPINE 640

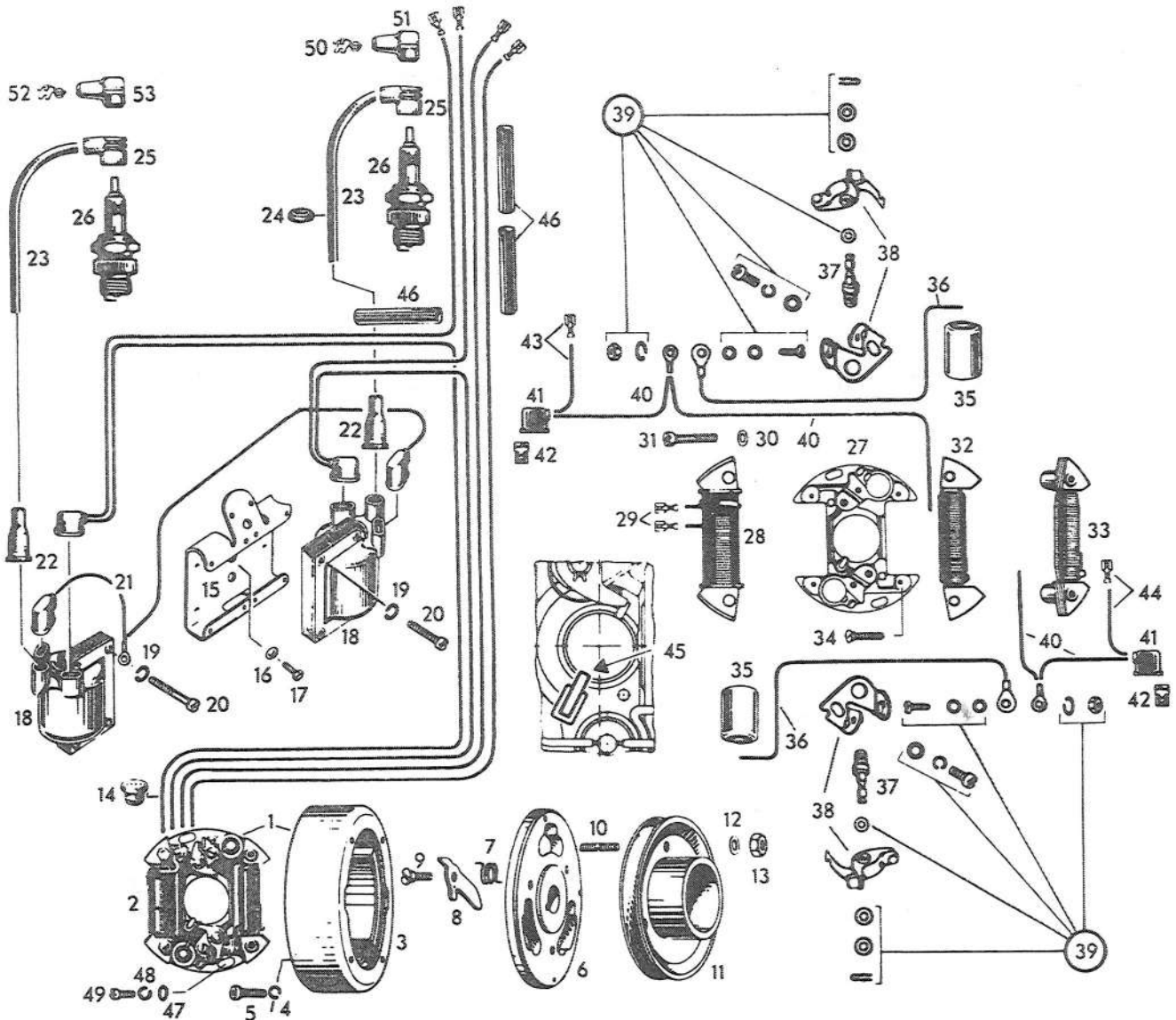
ITEM NO.	PART NO.	DESCRIPTION	QUANTITY	
			401	640
11	402 0162	V-Belt Pulley	1	1
12	402 1158	Locking Ring 8	3	3
13	402 0134	Hex Nut M8	3	3
14	402 4122	Cable Grommet	1	1
15	402 4158	Cable Grommet	1	1
16	402 0168	Rubber Sleeve 55mm	2	2
17	402 7008	Ignition Coil	2	
18	402 7008	Ignition Coil		2
19	402 4160	Plastic Clamp Cables	1	
20	402 4160	Plastic Clamp Cables		1
21	402 4024	Lock Washer 5	5	7
22	402 7004	Cyl. Screw M5 x 22	6	6
23	402 0175	Cyl. Screw M5 x 12		1
24	402 4153	Mass Cable Ass'y Yellow	1	
25	402 7062	Mass Cable Ass'y Yellow		2
26	402 7003	Protection Cable Ignition Coil	2	2
27	402 4154	Ignition Cable 145mm	2	
28	402 4076	Spark Plug Protector	2	
29	402 4244	Clamp Spark Plug Protector	2	
30	402 4243	Cap Spark Plug Protector	2	
31	402 4145	Spark Plug W240T1	2	
31	402 4080	Spark Plug M280T31		2
32	402 4075	Ignition Cable 200mm		2
33	402 7003	Protection Cap		2
34	402 7071	Spark Plug Protector		2
35	402 4182	Protection Cap		2
36	402 4152	Armature Plate Alone	1	1
37	402 4155	Lighting Coil With Cables 610 and 655mm	1	1
38	402 4176	Faston Connector	2	2
39	402 4024	Lock Washer 5	2	2
40	402 4048	Cyl. Screw M5 x 28	2	2
41	402 4151	Generator Coil Bottom Right Hand Winding	1	1
42	402 4150	Generator Coil Top Left Hand Winding	1	1
43	402 4179	Countersunk Screw M5 x 25	2	2
44	402 4068	Condenser Without Cable	2	2
45	402 4164	Cable Condenser	2	2
46	402 4049	Pivot Pin Contact Breaker	2	2
47	402 4050	Contact Breaker Set	2	2
48	402 7016	Parts Set	2	2
49	402 4249	Generator Cable Ass'y Blue Black 400-800mm	1	1
49	402 4252	Generator Cable Ass'y Blue, Yellow, Black 550-50mm	1	1
50	402 4159	Rubber Cap	2	2
51	402 4177	Faston Connectorq	2	2
52	402 4245	Shorting Cable, Black 315mm W. Con.	1	1
53	402 4246	Shorting Cable Yellow 390mm W. Con.	1	1
54	402 4141	Lubricating Wick	1	1
55	402 4133	Washer 5.3	2	2
56	402 4024	Lock Washer 5	2	2
57	402 2227	Cyl. Screw M5 x 16 W. Int. Hex	2	
57	402 4241	Cyl. Screw M5 x 18 W. Int. Hex		2



MAGNETO GENERATOR 12V 75V, MAGNETO HOUSING

641 FOR T'NT 640

775 FOR T'NT 775



ITEM NO.	PART NO.	DESCRIPTION	QUANTITY	
			641	775
1 + 46	402 4253	Magneto Generator Ass'y 12V 75W		1
2 + 46	402 4255	Armature Plate Ass'y		1
3	402 4167	Magneto Ring		1
4	402 0015	Lock Washer 6		4
5	402 4148	Cyl. Screw With Int. Hex M6 x 10.5		4
6	402 4149	Magneto Housing		1
7	402 4096	Spring Centrifugal Weight		1
8	402 0146	Centrifugal Weight		1
9	402 4118	Bearing Screw Centrifugal Weight		1
10	402 5050	Stud M8 x 15		3
11	402 0162	V-Belt Pulley		1
12	402 1158	Locking Ring 8		3
13	402 0134	Hex Nut M8		3
14	402 4122	Cable Grommet		1



MAGNETO GENERATOR 12V 75V, MAGNETO HOUSING

1971

641 FOR T'NT 640

775 FOR T'NT 775

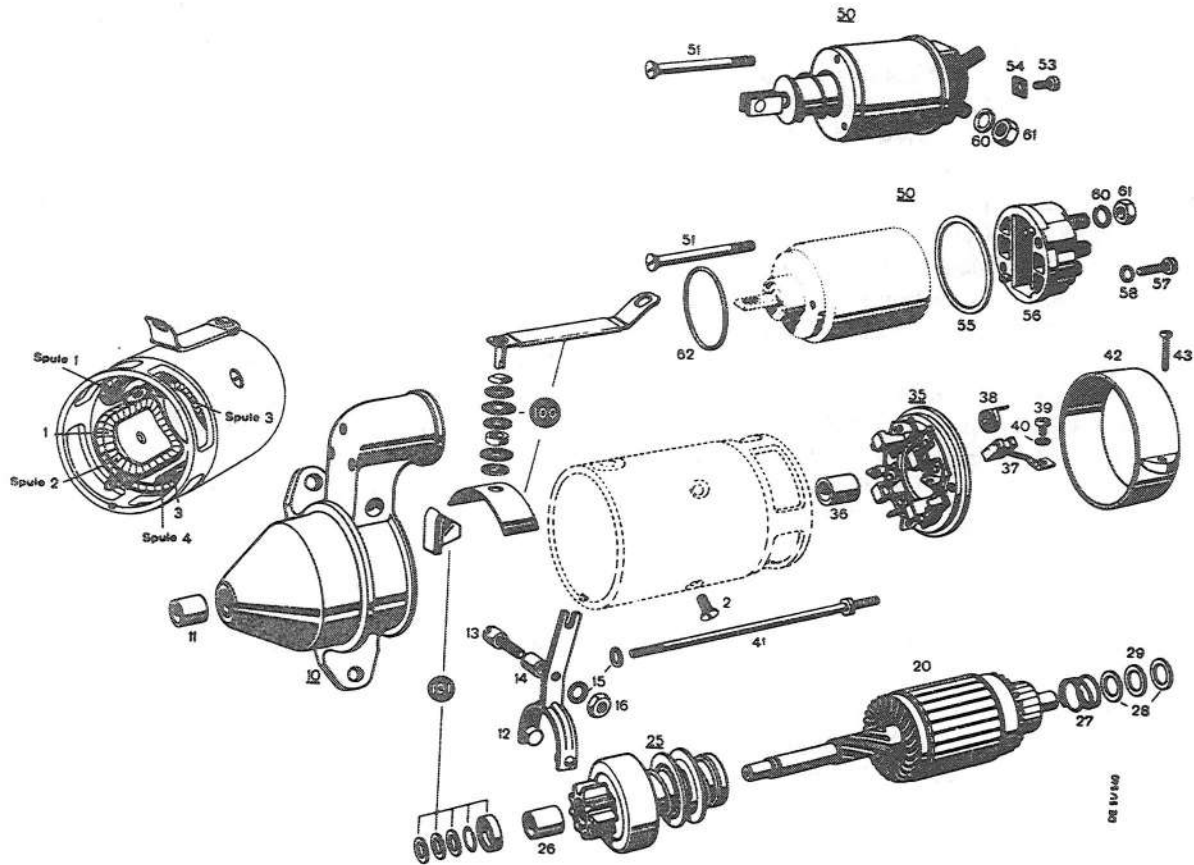
ITEM NO.	PART NO.	DESCRIPTION	QUANTITY	
			641	775
15	402 4121	Coil Mounting Flange	1	
16	402 0015	Lock Washer 6	2	
17	402 4127	Hex Screw M6 x 16	2	
18	402 7008	Ignition Coil	2	
19	402 4024	Lock Washer 5	8	
20	402 2229	Cyl. Screw M5 x 20	8	
21	402 4153	Mass Cable Ass'y Yellow	1	
22	402 7003	Protection Cap	2	
23	402 4247	Ignition Cable 315mm	2	
24	402 0148	Rubber Ring	1	
25	402 4076	Spark Plug Protector	2	
26	402 4081	Spark Plug M310 + 31S, Engine Type 775	2	
26	402 4080	Spark Plug M280 +31 Engine Type 641	2	
27	402 4152	Armature Plate Alone	1	
28	402 4155	Lighting Coil With Cables 610 and 655mm	1	
29	402 4176	Faston Connector	2	
30	402 4024	Lock Washer 5	2	
31	402 4048	Cyl. Screw M5 x 28	2	
32	402 4151	Generator Coil, Bottom Right Hand Winding	1	
33	402 4150	Generator Coil Top Left Hand Winding	1	
34	402 4179	Countersunk Screw M5 x 25	2	
35	402 4068	Condenser Without Cable	2	
36	402 4164	Cable Condenser	2	
37	402 4049	Pivot Pin Contact Breaker	2	
38	402 4050	Contact Breaker Set	2	
39	402 7016	Parts Set	2	
40	402 4250	Generator Cable Ass'y Blu-Black 225 - 80mm	1	
40	402 4251	Generator Cable Ass'y Blue/yellow-black 395-50mm	1	
41	402 4159	Rubber Cap	2	
42	402 4177	Faston Connector	2	
43	402 4245	Shorting Cable Black 510mm W Con	1	
44	402 4246	Shorting Cable Yellow 585mm W.Con	1	
45	402 4141	Lubrication Wick	1	
46	402 0168	Rubber Sleeve 55mm	3	
47	402 4133	Washer 5.3	2	
48	402 4024	Lock Washer 5	2	
49	402 4241	Cyl. Screw M5 x 18 W. Int. Hex	2	
50	402 4244	Clamp Spark Plug Protector	2	
51	402 4243	Cap Spark Plug Protector	2	



ELECTRIC STARTER - SPARE PARTS

401 FOR OLYMPIQUE 399 - NORDIC 399 - VALMONT 399 - ALPINE 399

640 FOR NORDIC 640 - VALMONT 640 - ALPINE 640



ITEM NO.	PART NO.	DESCRIPTION	QUANTITY	
			401	640
1	402 7064	Field Winding Coils 3 & 4	1	1
1	402 7065	Field Winding Coils 1 & 2	1	1
2	402 7073	Countersunk Screw M8 x 10	4	4
2	402 7020	Countersunk Screw M6 x 10	4	4
3	402 7069	Connecting Rail	1	1
10-11	402 7066	Drive End Bracket	1	1
11	402 7023	Bearing Bushing	1	1
12	402 7025	Engaging Level	1	1
13	402 7026	Screw M5	1	1
14	402 7027	Bushing	1	1
15	402 4024	Lock Washer 5	3	3
16	402 7049	Hex Nut M5	1	1
20	402 7067	Armature	1	1
25-26	402 7068	Drive Ass'y	1	1
26	402 7024	Bearing Bushing	2	2
27	402 7030	Helical Spring Armature Brake	1	1
28	402 7032	Washer 10.3	2	2
29	402 7033	Isolating Washer 10.3	1	1
35	402 7034	Commutator End Bracket Ass'y (With parts ill. no. 36-40)	1	1
36	402 7023	Bearing Bushing	1	1
37	402 7035	Carbon Brush Set (4 Pieces)	1	1
38	402 7031	Carbon Brush Spring	4	4



ELECTRIC STARTER - SPARE PARTS

1971

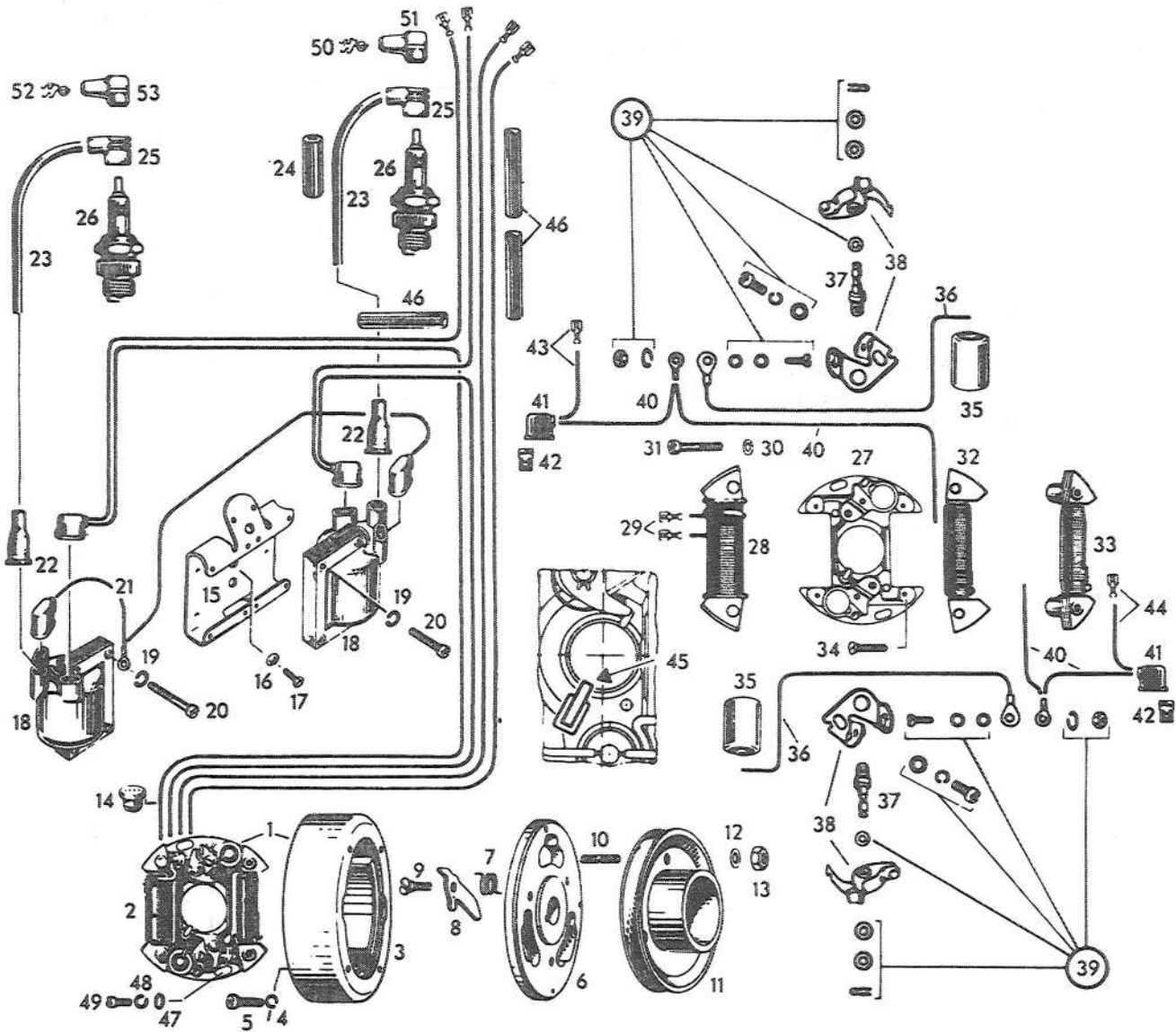
401 FOR OLYMPIQUE 399 - NORDIC 399 - VALMONT 399 - ALPINE 399

640 FOR NORDIC 640 - VALMONT 640 - ALPINE 640

ITEM NO.	PART NO.	DESCRIPTION	QUANTITY	
			401	640
39a	402 7036	Cyl. Screw M4 x 8	2	2
39b	402 7037	Cyl. Screw M4 x 6	2	2
40	402 4023	Lock Washer 4	4	4
41	402 7048	Screw M5	2	2
42	402 7040	Closing Band	1	1
43	402 2158	Cyl. Screw M4 x 16	1	1
50	402 7041	Relay Ass'y (With Parts III No 53-59)	1	1
51	402 7042	Countersunk Screw M5 x 50	3	3
53	402 7036	Cyl. Screw M4 x 8	1	1
54	402 7043	Plate Terminal 50	1	1
60	402 0016	Lock Washer 8	1	1
61	402 7044	Hex Nut M8	1	1
100	402 7045	Parts Set For Terminal	1	1
101	402 7046	Parts Set For Armature	1	1



435 FOR T'NT 440



ITEM NO.	PART NO.	DESCRIPTION	QUANTITY
			435
1 -	402 4289	Magneto Generator 12V 75W	1
2 -	402 4290	Armature Plate Ass'y	1
3	402 4167	Magneto Ring	1
4	402 0015	Lock Washer 6	4
5	402 4148	Cyl. Screw W/Int. Hex. M6 x 1.5	4
6	402 4149	Magneto Housing	1
7	402 4096	Spring, Centrifugal Weight	1
8	402 0146	Centrifugal Weight	1
9	402 4118	Bearing Screw, Centrifugal Weight	1
10	402 5050	Stud M8 x 15	3
11	402 0162	V-Belt Pulley	1
12	402 1158	Locking Ring 8	3
13	402 0134	Hex Nut M8	3



MAGNETO GENERATOR 12V 75W, MAGNETO HOUSING

1971

435 FOR T'NT 440

ITEM NO.	PART NO.	DESCRIPTION	QUANTITY
			435
14	402 4122	Cable Grommet	1
15	402 4121	Coil Mounting Flange	1
16	402 0015	Lock Washer 6	2
17	402 4127	Hex Screw M6 x 16	2
18	402 7008	Ignition Coil	2
19	402 4024	Lock Washer 5	8
20	402 2229	Cyl. Screw M5 x 20	8
21	402 4153	Mass Cable Ass'y Yellow	1
22	402 7003	Protection Cap	2
23	402 4291	Ignition Cable 330MM	2
24	402 4292	Rubber Sleeve 40MM	1
25	402 4076	Spark Plug Protector	2
26	402 4080	Spark Plug M280 T 31	2
27	402 4152	Armature Plate Alone	1
28	402 4155	Lighting Coil W. Cables 610 and 655MM	1
29	402 4176	Faston Connector	2
30	402 4024	Lock Washer 5	2
31	402 4048	Cyl. Screw M5 x 28	2
32	402 4151	Generator Coil, Bottom, Right Hand Winding	1
33	402 4150	Generator Coil, Top, Left Hand Winding	1
34	402 4179	Countersunk Screw M5 x 25	2
35	402 4068	Condenser Without Cable	2
36	402 4164	Cable Condenser	2
37	402 4049	Pivot Piv. Contact Breaker	2
38	402 4050	Contact Breaker Set	2
39	402 7016	Parts Set	2
40	402 4293	Generator Cable Ass'y, Blue-Black 165-80MM	1
40	402 4294	Generator Cable Ass'y, Blue-Yellow-Black 295-50MM	1
41	402 4159	Rubber Cap	2
42	402 4177	Faston Connector	2
43	402 4295	Shorting Cable, Black 520MM W/Connector	1
44	402 4296	Shorting Cable, Yellow 650MM W/Connector	1
45	402 4141	Lubricating Wick	1
46	402 4297	Rubber Sleeve 55MM	3
47	402 4133	Washer 5.3	2
48	402 4024	Lock Washer 5	2
49	402 4241	Cyl. Screw M5 x 18 W/Int. Hex	2
50	402 4244	Clamp, Spark Plug Protector	2
51	402 4243	Cap, Spark Plug Protector	2



Cat. No. 480 1016.



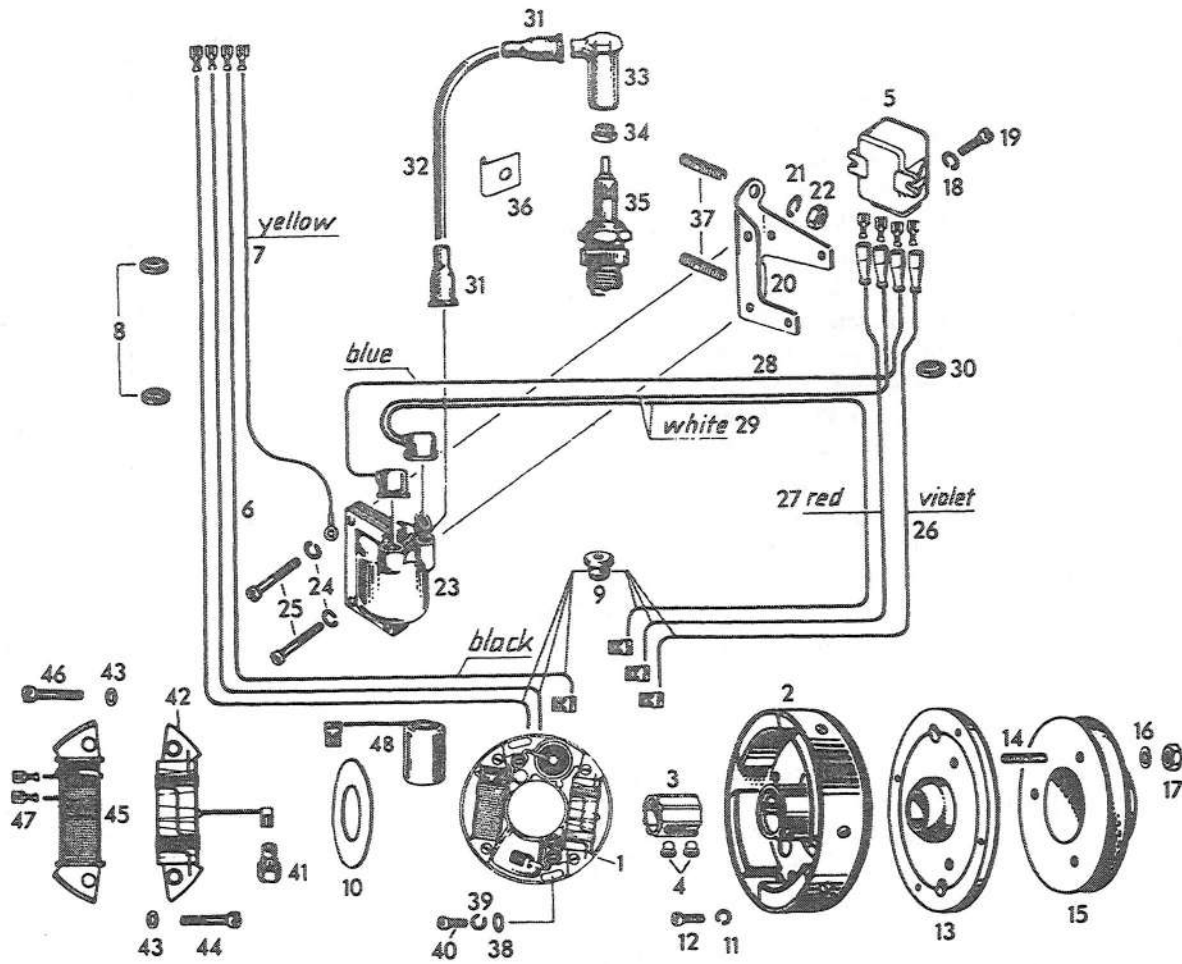
March 1970.

SECTION 3-3 - PAGE 15

MAGNETO GENERATOR 12V 75W, MAGNETO HOUSING
246 FOR BLIZZARD 246

291 FOR BLIZZARD 291

336 FOR BLIZZARD 336



ITEM NO.	PART NO.		QUANTITY		
			246	291	336
1-2-3-4-5-6	402 4262	Magneto Generator Ass'y 12V 75W	1	1	1
1	402 4263	Armature Plate Ass'y	1	1	1
2-3-4	402 4264	Magneto Ring	1	1	1
3	402 4265	Protection Sleeve	1	1	1
4	402 4266	Spark Adjuster	2	2	2
5	402 4267	Switch Box	1	1	1
6	402 4268	Shorting Cable Ass'y, Black 600MM	1	1	1
7	402 4269	Mass Cable Ass'y, Yellow 510MM	1	1	1
8	402 4224	Rubber Ring	2	2	2
9	402 0211	Cable Grommet	1	1	1
10	402 4227	Isolating Plate	1	1	1
11	402 0015	Lock Washer 6	4	4	4
12	402 4148	Cylinder Screw M6 x 11.5	4	4	4
13	402 4208	Magneto Housing (W/One White Mark)	1	1	1
14	402 5050	Stud M8 x 15	3	3	3
15	402 0162	V-Belt Pulley	1	1	1
16	402 1158	Locking Washer 8	3	3	3
17	402 0134	Hex Nut M8	3	3	3



MAGNETO GENERATOR 12V 75W, MAGNETO HOUSING

1971

246 FOR BLIZZARD 246

291 FOR BLIZZARD 291

336 FOR BLIZZARD 336

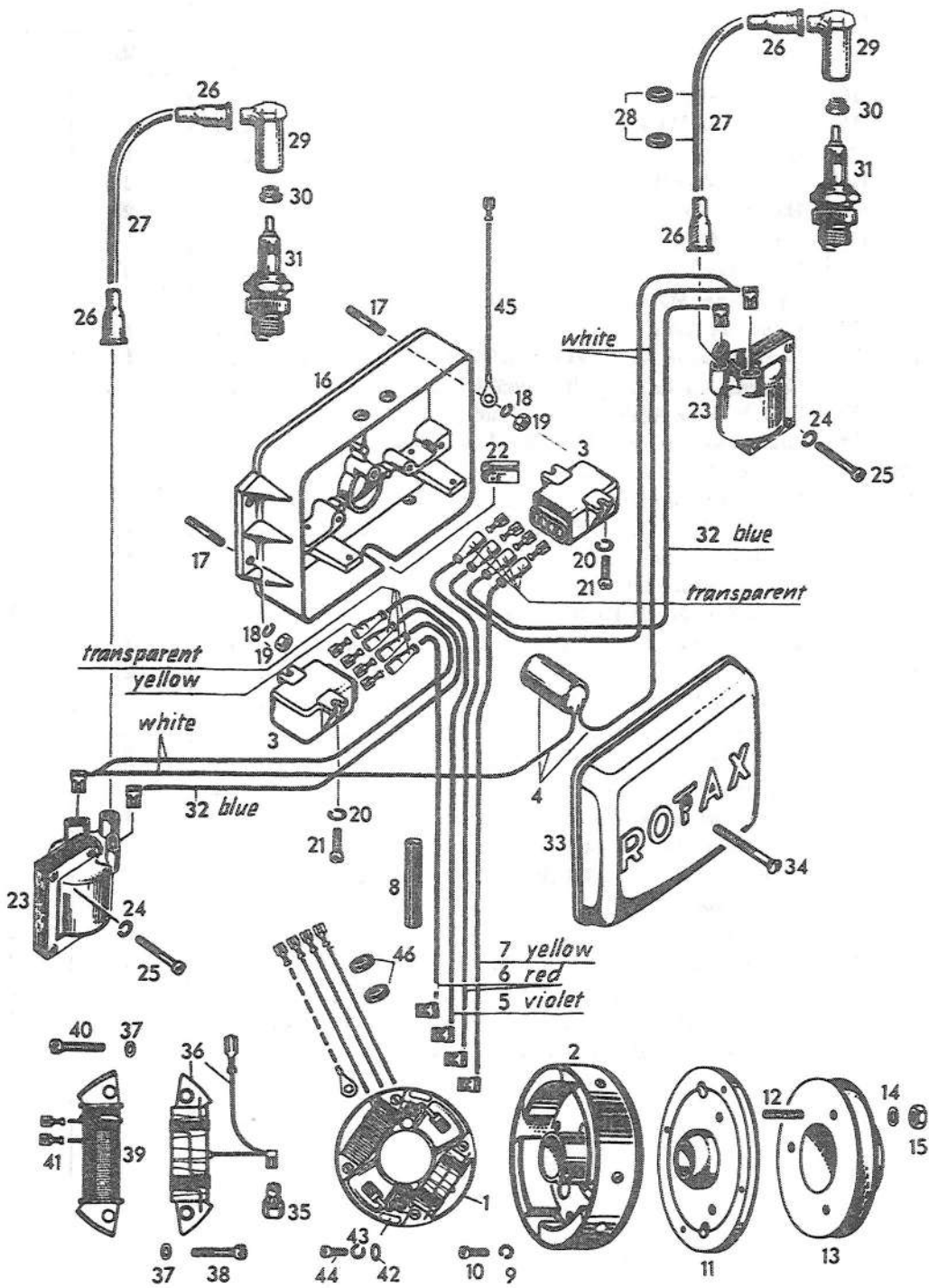
ITEM NO.	PART NO.	DESCRIPTION	QUANTITY		
			246	291	336
18	402 7016	Lock Washer 4	2	2	2
19	402 7016	Cyl. Screw M4 x 10	2	2	2
20	402 4228	Ignition Bracket	1	1	1
21	402 0016	Lock Washer 8	2	2	2
22	402 2041	Hex Nut M8	2	2	2
23	402 7008	Ignition Coil	1	1	1
24	402 4024	Lock Washer 5	3	3	3
25	402 2229	Cyl. Screw M5 x 20	3	3	3
26-30	402 4270	Cable Set Ass'y	1	1	1
26	402 4271	Control Cable Ass'y, Violet 270MM	1	1	1
27	402 4272	Charging Cable Ass'y, Red 245MM	1	1	1
28	402 4273	Switch Cable Ass'y, Blue 200MM	1	1	1
29	402 4274	Cable Ass'y, White 145/155MM Condenser	1	1	1
30	402 4224	Rubber Ring	1	1	1
31	402 7003	Protection Cap	2	2	2
32	402 4275	Ignition Cable 400MM	1	1	1
33	402 4276	Spark Plug Connector	1	1	1
34	402 4099	Silicone Grommet	1	1	1
35	402 4081	Spark Plug M310 T31S	1	1	1
36	402 4259	Ignition Cable Bracket	1	1	1
37	402 0212	Stud M8 x 13	2	2	2
38	402 4133	Washer 5.3	2	2	2
39	402 4024	Lock Washer 5	2	2	2
40	402 4241	Cyl. Screw M5 x 18 W/Int. Hex	2	2	2
41	402 4217	Plug Insert Ass'y, Red	1	1	1
41	402 4218	Plug Insert Ass'y, Violet	1	1	1
41	402 4233	Plug Insert Ass'y White	1	1	1
42	402 4234	Charging Coil Ass'y W/Cable	1	1	1
43	402 4024	Lock Washer 5	4	4	4
44	402 2229	Cyl. Screw M5 x 20	2	2	2
45	402 4155	Lighting Coil W/Cables 700MM	1	1	1
46	402 4048	Cyl. Screw M5 x 28	2	2	2
47	402 4176	Faston Connector 6.3	2	2	2
48	402 4235	Condenser W/Cable	1	1	1



MAGNETO GENERATOR 12V 75W, MAGNETO HOUSING

397 FOR BLIZZARD 397

437 FOR BLIZZARD 437



ITEM NO.	PART NO.	DESCRIPTION	QUANTITY	
			397	437
1-2-3-4	402 4277	Magneto Generator Ass'y 12V 75W	1	1
1	402 4278	Armature Palte Ass'y	1	1



MAGNETO GENERATOR 12V 75W, MAGNETO HOUSING

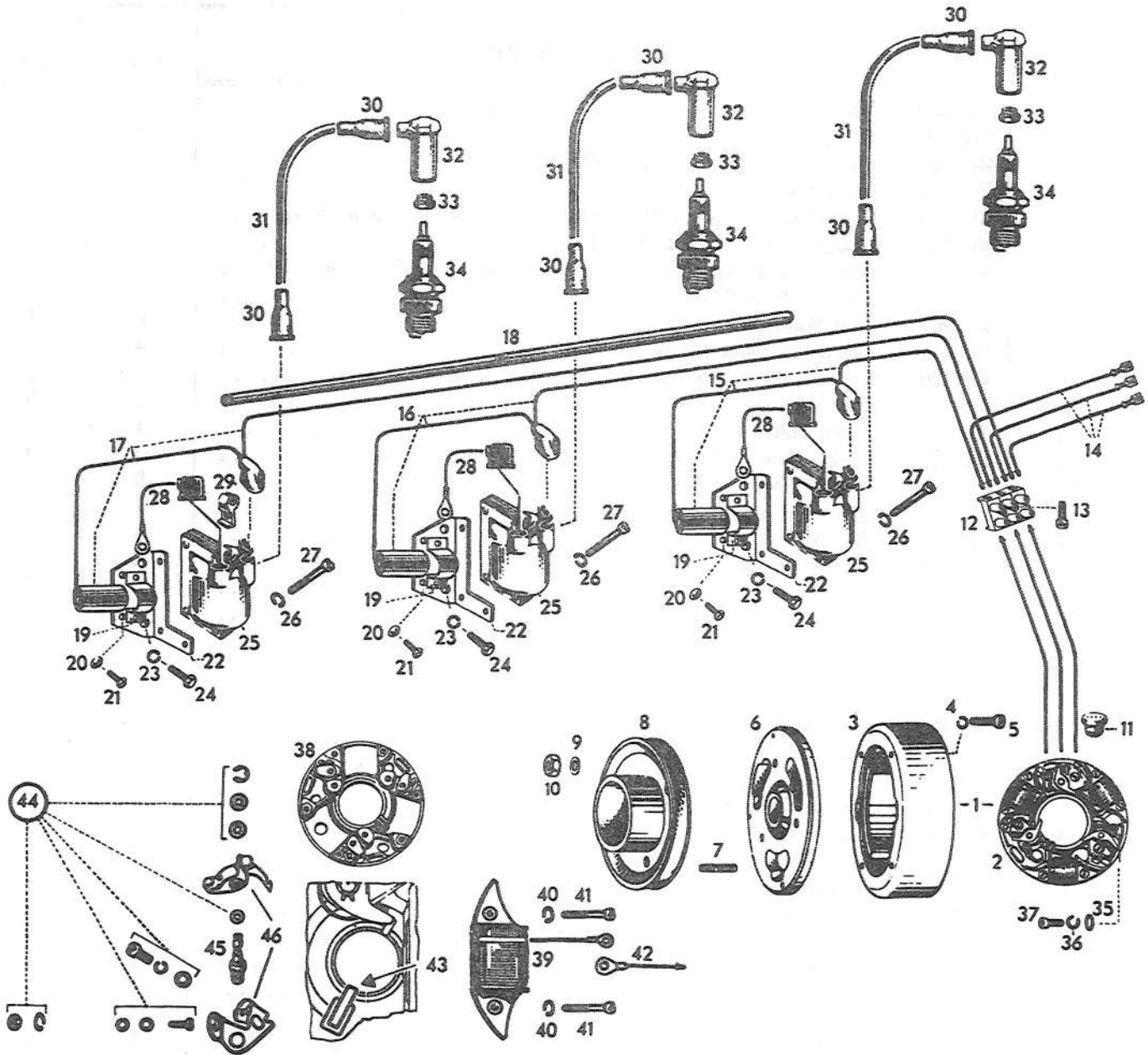
1971

397 FOR BLIZZARD 397

437 FOR BLIZZARD 437

ITEM NO.	PART NO.	DESCRIPTION	QUANTITY	
			397	437
2	402 4279	Magneto Ring	1	1
3	402 4267	Switch Box	2	2
4	402 4213	Condenser W/Cables 110/160MM	1	1
5-6-7-8	402 4280	Cable Set Ass'y	1	1
5	402 4281	Control Cable Ass'y, 270MM Violet W/Yellow Protection Sleeve	1	1
6	402 4282	Charging Cable Ass'y 270MM Red	2	2
7	402 4283	Control Cable Ass'y 310MM Violet W/Transparent Protection Sleeve	1	1
8	402 0168	Rubber Sleeve 55MM	1	1
9	402 0015	Lock Washer	6	6
10	402 4148	Cyl. Screw M6 x 10, 5W Int. Hex	4	4
11	402 4208	Magneto Housing W/Two Yellow Marks	1	1
12	402 5050	Stud M8 x 15	3	3
13	402 0162	V-Belt Pulley	1	1
14	402 4285	Locking Washer 8	3	3
15	402 0134	Hex. Nut M8	3	3
16	402 4207	Ignition Box	1	1
17	402 2019	Stud M6 x 14	4	4
18	402 0015	Lock Washer 6	4	4
19	402 2053	Hex. Nut M6	4	4
20	402 4023	Lock Washer 4	4	4
21	402 4056	Cyl. Screw M4 x 10	4	4
22	402 4284	Rubber Grommet	1	1
23	402 7008	Ignition Coil	2	2
24	402 4024	Lock Washer 5	6	6
25	402 7004	Cyl. Screw M5 x 22	6	6
26	402 7003	Protection Cap	4	4
27	402 4286	Ignition Cable 370MM	2	2
28	402 0148	Rubber Ring	2	2
29	402 4276	Spark Plug Protector	2	2
30	402 4099	Sylicone Grommet	2	2
31	402 4081	Spark Plug M310 & 31S	2	2
32	402 4210	Switch Cable Ass'y, Blue, 160MM	2	2
33	402 4206	Ignition, Box Cover	1	1
34	402 4205	Countersunk Screw M6 x 50	1	1
35	402 4217	Plug Insert Ass'y, Red	1	1
35	402 4218	Plug Insert Ass'y, Violet	2	2
36	402 4216	Charging Coil Ass'y W. Cables	1	1
37	402 4024	Lock Washer 5	4	4
38	402 2229	Cyl. Screw M5 x 20	2	2
39	402 4155	Ignition Coil, W Cables 700MM	1	1
40	402 4048	Cyl. Screw M5 x 28	2	2
41	402 4176	Faston Connector 6, 3	2	2
42	402 4133	Washer 5,3	2	2
44	402 4241	Cyl. Screw M5 x 18	2	2
45	402 4287	Mass Cable Ass'y	1	1
46	402 4224	Rubber Ring	2	2





ITEM NO.	PART NO.	DESCRIPTION	QUANTITY	
			645	797
1	402 4299	Magneto Unit Ass'y	1	1
2	402 4338	Armature Plate	1	1
3	402 4020	Magneto Ring	1	1
4	402 0015	Lock Washer 6	4	4
5	402 4148	Cyl. Screw M6 x 10.5 w. Int. Hex.	4	4
6	402 4310	Magneto Housing	1	1
7	402 5050	Stud M8 x 15	3	3
8	402 0162	V-Belt Pulley	1	1
9	402 1158	Locking Washer	3	3
10	402 0134	Hex. Nut M8	3	3



MAGNETO UNIT, MAGNETO HOUSING

1971

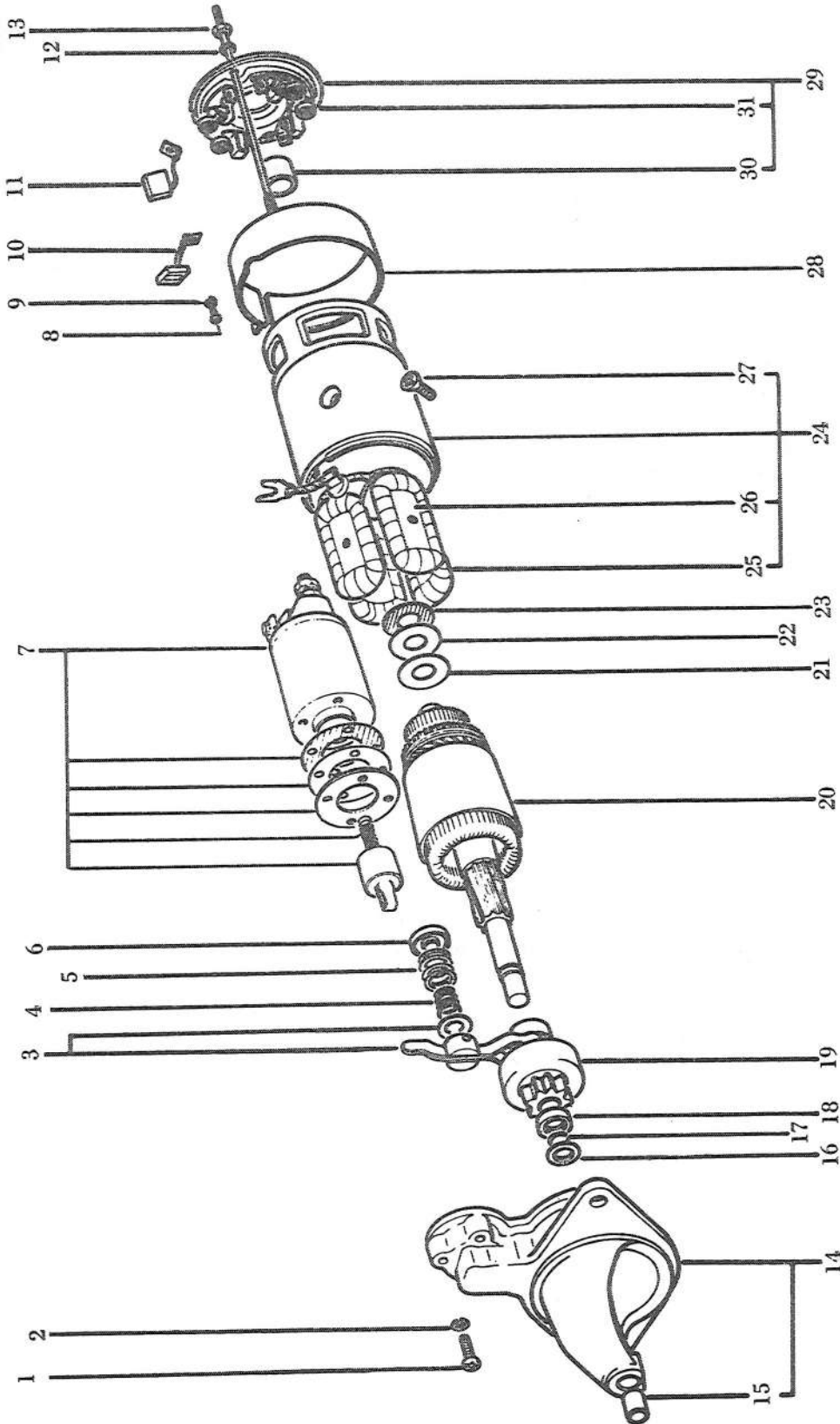
645 FOR BLIZZARD 636

797 FOR BLIZZARD 797

ITEM NO.	PART NO.	DESCRIPTION	QUANTITY	
			645	797
11	402 4122	Cable Grommet	1	1
12	402 7078	Terminal Block	1	1
13	402 2392	Cyl. Screw M3 x 10	2	2
14	402 4321	Shorting Cable Black, 500MM	3	3
15	402 4314	Generator Cable Ass'y Blue/Red and Condenser ..	1	1
16	402 4313	Generator Cable Ass'y. Blue and Condenser	1	1
17	402 4312	Generator Cable Ass'y. Blue/Yellow and Condenser	1	1
18	402 4323	Isolating Hose 370MM	1	1
19	402 4307	Clamp, Condenser	3	3
20	402 7016	Lock Washer 4	6	6
21	402 4322	Cyl. Screw M4 x 6	6	6
22	402 4306	Ignition Coil Bracket	3	3
23	402 0015	Lock Washer 6	6	6
24	402 4127	Hex. Screw M6 x 16	6	6
25	402 7008	Ignition Coil	3	3
26	402 4024	Lock Washer 5	9	9
27	402 2229	Cyl. Screw M5 x 20	9	9
28	402 7079	Mass Cable Ass'y. Yellow 80MM	3	3
29	402 4160	Plastic Clamp	1	1
30	402 7003	Protection Cap	6	6
31	402 4215	Ignition Cable 390MM	3	3
32	402 4276	Spark Plug Protector	3	3
33	402 4099	Silicone Grommet	3	3
34	402 4081	Spark Plug M310-T31S	3	3
35	402 4133	Washer 5.3MM	3	3
36	402 4024	Lock Washer 5	3	3
37	402 4241	Cyl. Screw M5 x 18	3	3
38	402 4316	Armature Plate Alone	1	1
39	402 4315	Generator Coil Ass'y	3	3
40	402 4024	Lock Washer 5	6	6
41	402 0233	Cyl. Screw M5	6	6
42	402 4319	Generator Cable Blue/Red 182MM Magneto Side	1	1
42	402 4318	Generator Cable Blue/Yellow 262MM P.T.O. Side	1	1
42	402 4317	Generator Cable Blue 267MM. Centre	1	1
43	402 4116	Lubricating Wick	1	1
44	402 7016	Parts Set	3	3
45	402 4049	Pivot Pin, Contact Breaker	3	3
46	402 4142	Contact Breaker Set	3	3



JAPANESE STARTER



JAPANESE STARTER

1971

ITEM NO.	PART NO.	DESCRIPTION	QUANTITY
	410 2001	Starter Ass'y	
1	410 2002	Screw	3
2	410 2003	Washer	3
3	410 2004	Lever Ass'y.	1
4	410 2005	Spring	1
5	410 2006	Spring	1
6	410 2007	Spring Holder	1
7	410 2008	Switch Ass'y.	1
8	410 2009	Screw	4
9	410 2010	Washer	4
10	410 2011	Brush (+)	2
11	410 2012	Brush (-)	2
12	410 2013	Washer	2
13	410 2014	Bolt	2
14-15	410 2015	Front Bracket Ass'y.	1
15	410 2016	Front Bearing	1
16	410 2017	Washer	1
17	410 2018	Ring	1
18	410 2019	Pinion Stopper	1
19	410 2020	Clutch Ass'y.	1
20	410 2021	Armature	1
21	410 2022	Washer	2
22	410 2023	Washer	1
23	410 2024	Insulating Washer	1
24-25			
26-27	410 2025	Housing Ass'y.	1
25	410 2026	Field Coil Ass'y.	1
26	410 2027	Pole Shoe	4
27	410 2028	Screw	4
28	410 2029	Band Ass'y.	1
29-30-31	410 2030	Rear Bracket Ass.	1
30	410 2031	Rear Bearing	1
31	410 2032	Brush Spring	4





SECTION 4

4-1 FRAME

4-2 HOOD

SECTION
4





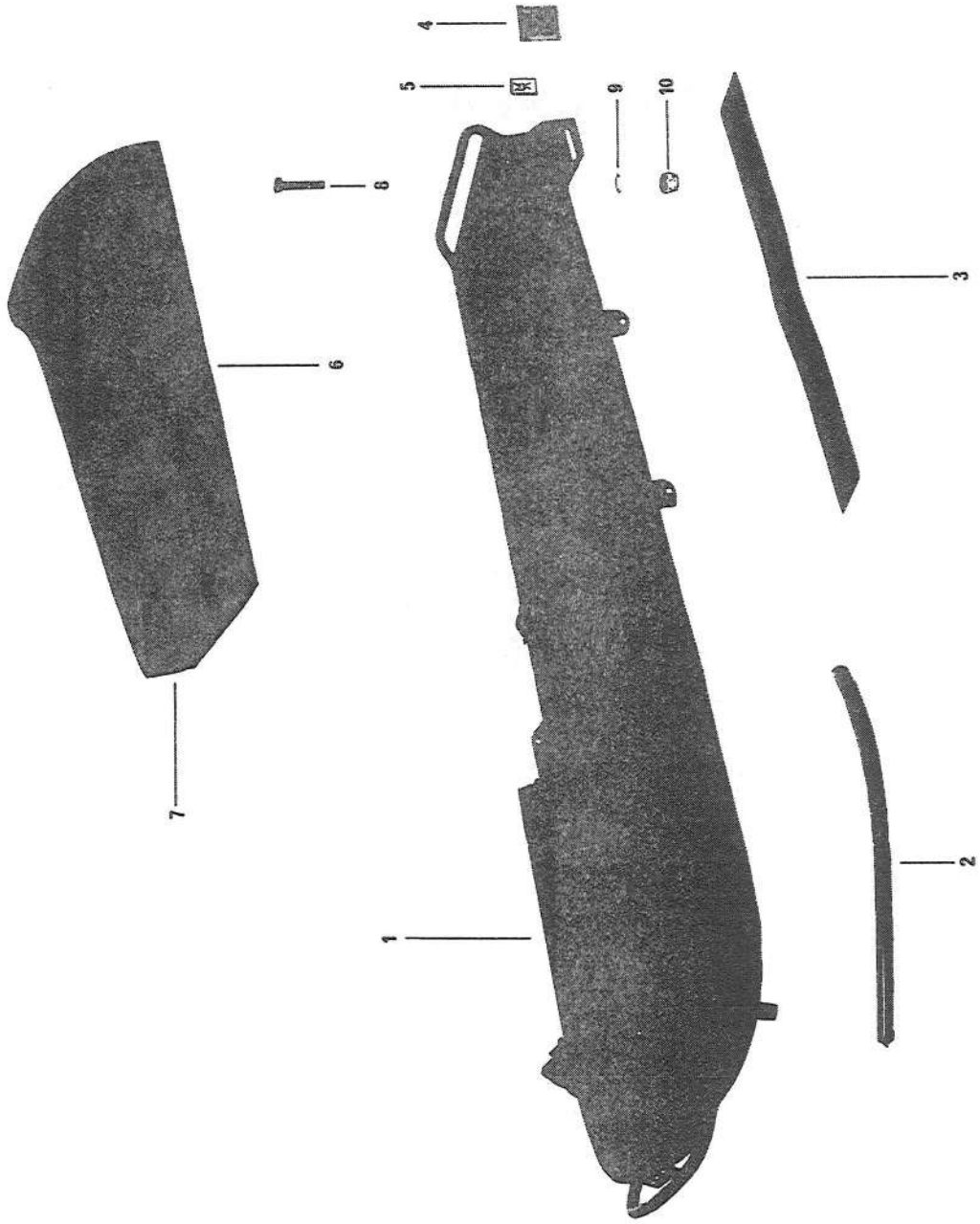
FRAME

SECTION 4-1

FRONT BUMPER
REAR BUMPER
SEAT
BACKREST



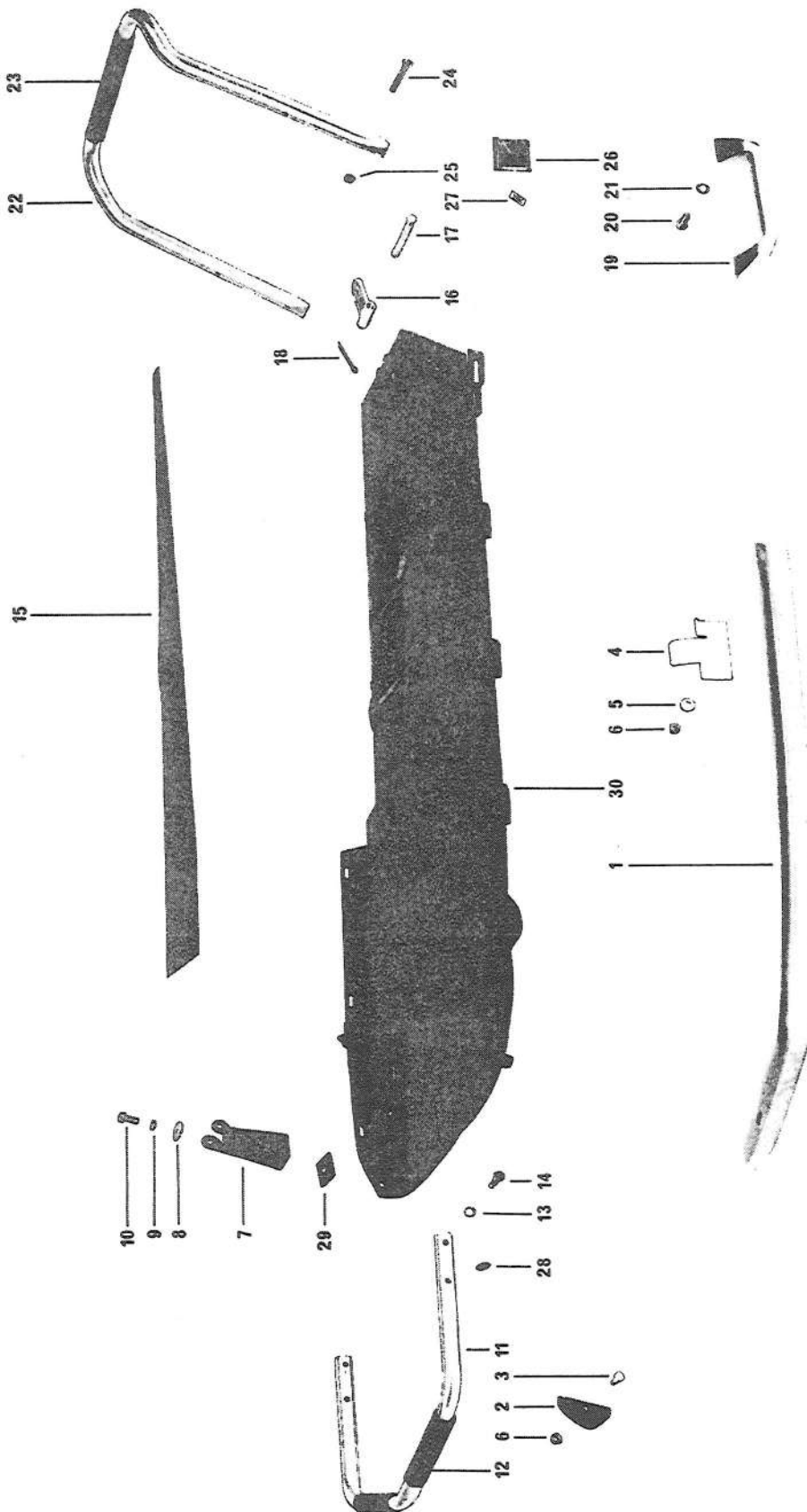
FRAME (ELAN)



ITEM NO.	PART NO.	DESCRIPTION	QUANTITY	
			250	250E
1	580 0416	Frame	1	1
2	414 0590	Body Moulding	2	2
3	570 1751	Foot Pad	2	2
4	517 0325	Plate & Reflector	2	2
5	389 8019	Speed Nut	4	4
6	414 0587	Seat W/Leatherette	1	1
7	414 0589	Leatherette	1	1
	414 0588	Foam	1	1
8	300 1004	Screw	2	2
9	399 9015	Washer	2	2
10	386 6019	Nut	2	2



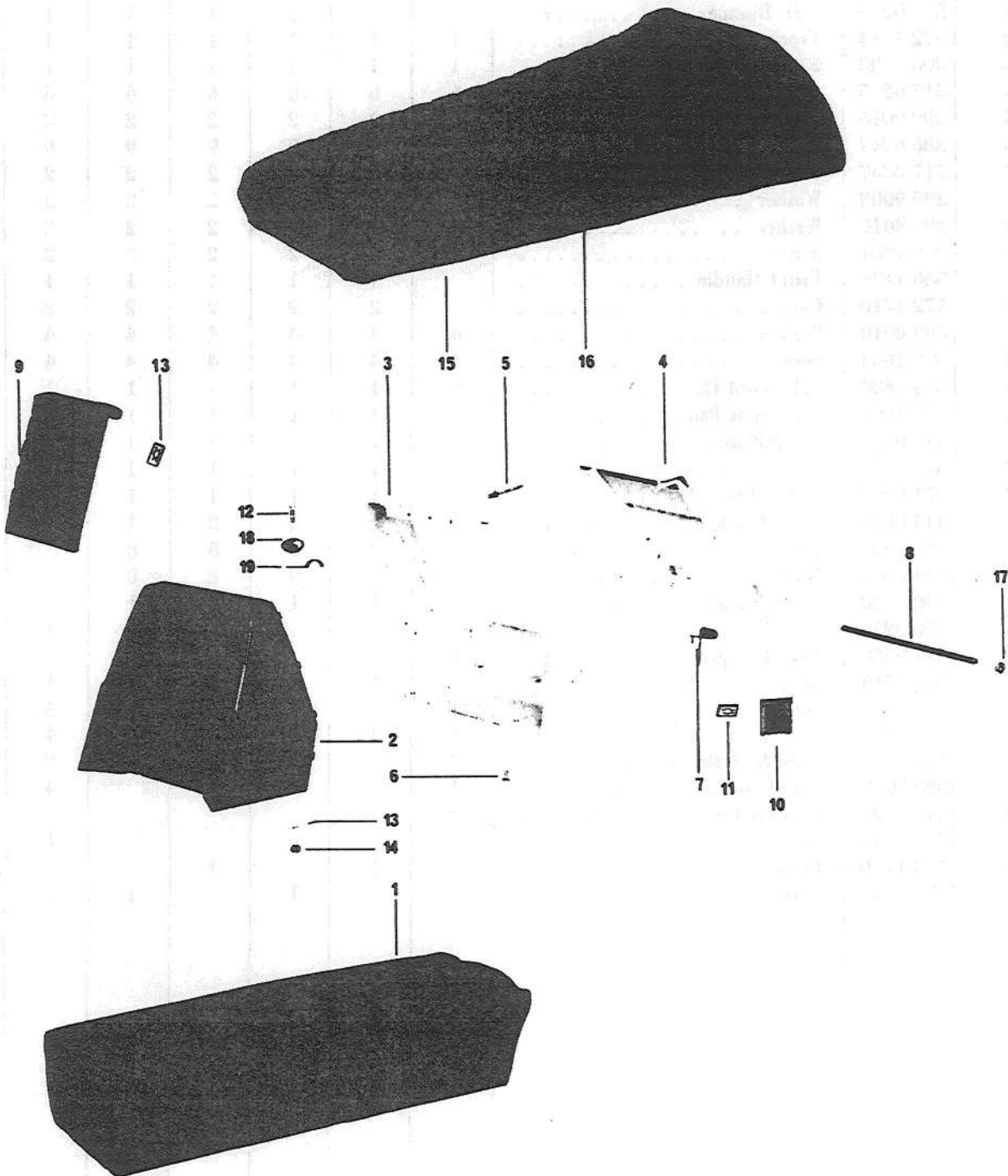
FRAME (OLYMPIQUE - T'NT 15'')



ITEM NO.	PART NO.	DESCRIPTION	QUANTITY						
			300	335	335E	399	399E	T'NT 292	T'NT 340
1	517 0252	R.H. Bumper	1						
1	517 0253	L.H. Bumper	1						
1	517 0254	R.H. Bumper		1	1	1	1	1	1
1	517 0255	L.H. Bumper		1	1	1	1	1	1
2	572 1714	Front Bumper Spacer	1	1	1	1	1	1	1
3	300 1003	Screw	1	1	1	1	1	1	1
4	517 0235	Cabin Guide	6	6	6	6	6	6	6
5	399 9015	Washer	2	2	2	2	2	2	2
6	386 6019	Nut	9	9	9	9	9	9	9
7	517 0257	Cabin Hinge	2	2	2	2	2	2	2
8	399 9008	Washer	2	2	2	2	2	2	2
9	399 8010	Washer	2	2	2	2	2	2	2
10	300 1001	Screw	2	2	2	2	2	2	2
11	580 1129	Front Handle		1	1	1	1	1	1
12	572 1710	Grip		2	2	2	2	2	2
13	399 8010	Washer	4	4	4	4	4	4	4
14	300 1004	Screw	4	4	4	4	4	4	4
15	570 1805	R.H. Foot Pad	1	1	1	1	1	1	1
15	570 1806	L.H. Foot Pad	1	1	1	1	1	1	1
16	517 0087	Hitch Plate	1	1	1	1	1	1	1
17	517 0097	Pin	1	1	1	1	1	1	1
18	371 8002	Cotter Pin	1	1	1	1	1	1	1
19	414 0639	Side Handle		2	2	2	2		
20	300 5401	Screw		8	8	8	8		
21	394 0014	Washer		8	8	8	8		
22	580 1128	Rear Bumper		1	1	1	1		
22	580 0276	Rear Bumper						1	1
22	517 0256	Rear Bumper	1						
23	572 1715	Grip		1	1	1	1	1	1
24	327 3065	Screw	4	4	4	4	4	4	4
25	386 6013	Nut	4	4	4	4	4	4	4
26	517 0325	Plate & Reflector	2					2	2
27	389 8019	Speed Nut	4					4	4
28	414 0726	Plug Button	2						
29	517 0315	Spacer						1	1
30	580 1116	Frame		1		1			
	580 1117	Frame	1		1		1	1	1



SEAT (OLYMPIQUE - T'NT 15")



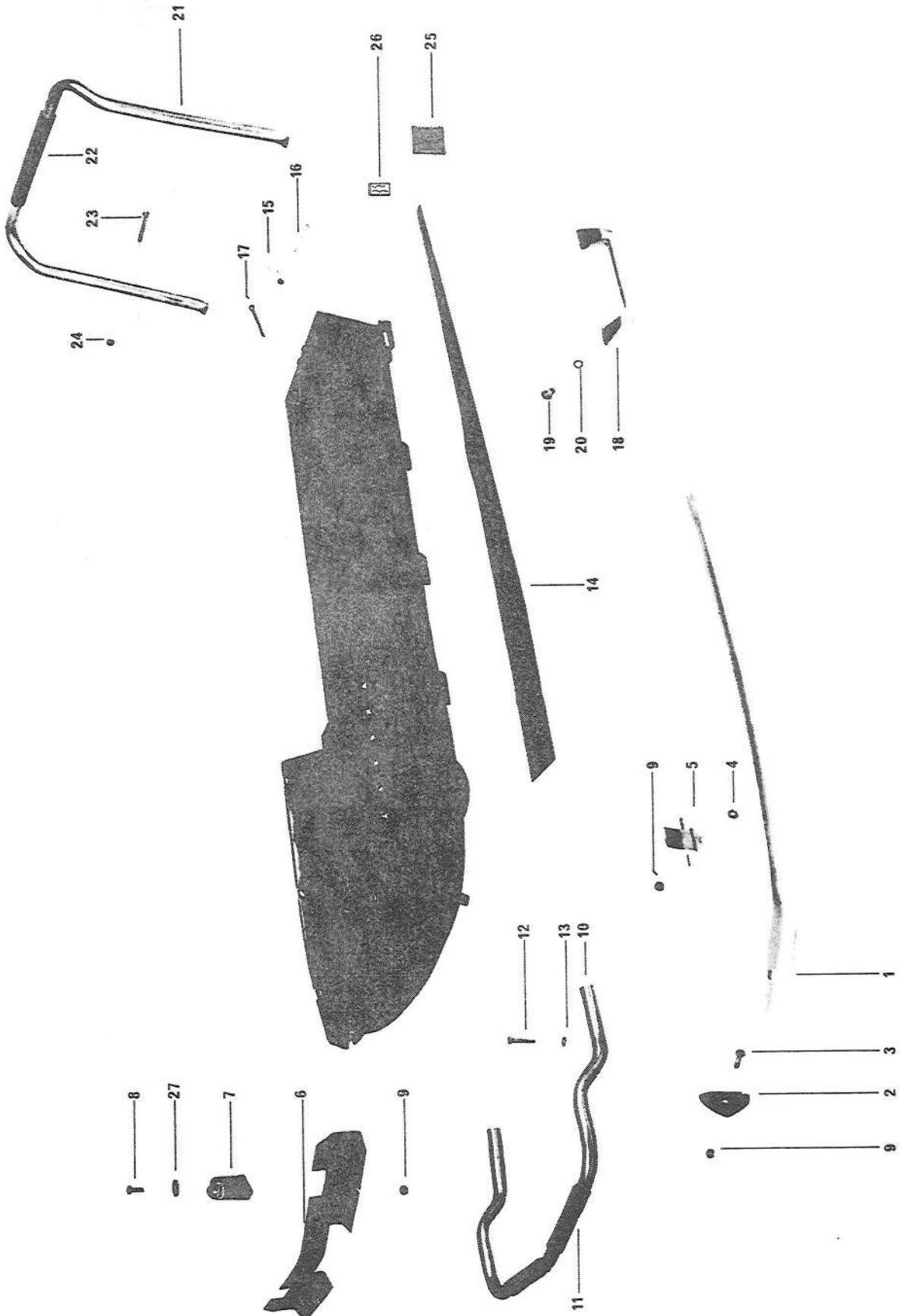
SEAT OLYMPIQUE

1971

ITEM NO.	PART NO.	DESCRIPTION	QUANTITY					
			300	335	335E	T'NT 399	T'NT 292	T'NT 340
1	414 0735	Seat Assembly		1	1	1		
2	572 1730	Backrest Part 1		1	1	1		
3	572 1731	Backrest Part 2		1	1	1		
4	561 7037	Backrest Door		1	1	1		
5	390 4027	Pop Rivet		5	5	5		
6	390 5011	Rivet		7	7	7		
7	414 0633	R.H. Spring		1	1	1		
7	414 0634	L.H. Spring		1	1	1		
8	517 0247	Hinge Pin		1	1	1		
9	414 0636	Padded Backrest		1	1	1		
10	517 0325	Plate & Reflector		2	2	2		
11	389 8019	Speed Nut		7	7	7		
12	300 1003	Screw	2	4	4	4	2	2
13	399 9015	Washer	4	4	4	4	4	4
14	386 6019	Nut	2	4	4	4	2	2
15	414 0716	Seat Assembly	1					
15	414 0630	Seat Assembly					1	1
16	414 0628	Leatherette	1					
16	414 0632	Leatherette					1	1
	414 0631	Foam					1	1
	414 0717	Foam	1					
17	389 8043	Push Nut		2	2	2		
18	503 0076	Retainer Washer		4	4	4		
19	513 0053	Clip		1	1	1		



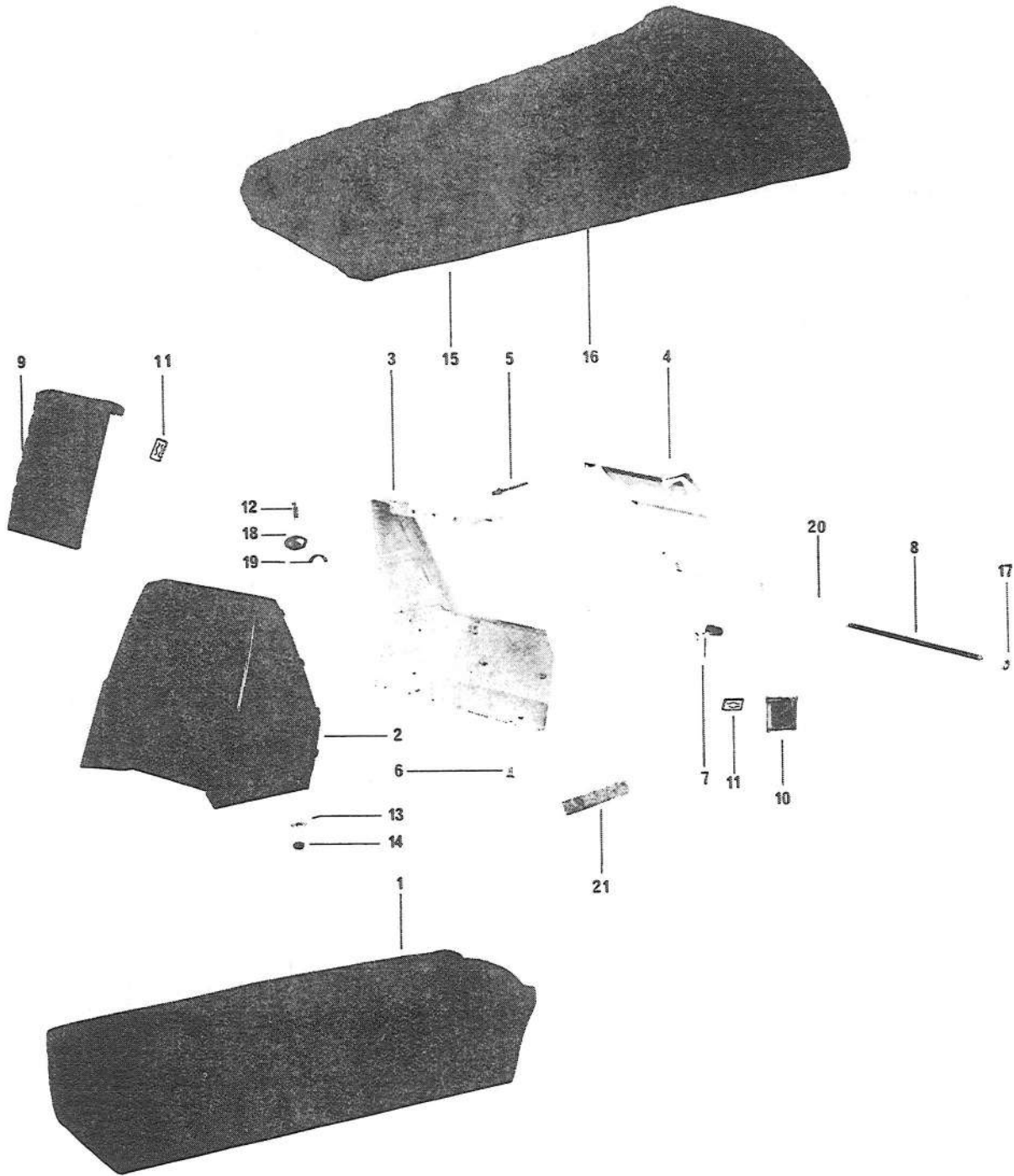
FRAME (NORDIC - T'NT 18")



ITEM NO.	PART NO.	DESCRIPTION	QUANTITY					
			399	399E	640E	T'NT 440	T'NT 640	T'NT 775
1	517 0269	R.H. Bumper	1	1	1	1	1	1
1	517 0270	L.H. Bumper	1	1	1	1	1	1
2	572 1741	Front Bumper	1	1	1	1	1	1
3	300 5003	Screw	1	1	1	1	1	1
4	517 0152	Spacer	6	6	6	6	6	6
5	517 0235	Cabin Guide	6	6	6	6	6	6
6	517 0271	Snow Deflector	1	1	1	1	1	1
7	517 0208	Hinge Bracket	2	2	2	2	2	2
8	300 5001	Screw	2	2	2	2	2	2
9	386 9003	Nut	9	9	9	9	9	9
10	580 0503	Front Handle	1	1	1	1	1	1
11	572 1710	Grip	2	2	2	2	2	2
12	399 8010	Washer	4	4	4	4	4	4
13	300 1004	Screw	4	4	4	4	4	4
14	570 1805	R.H. Foot Pad	1	1	1	1	1	1
14	570 1806	L.H. Foot Pad	1	1	1	1	1	1
15	517 0087	Hitch Plate	1	1	1	1	1	1
16	517 0097	Pin	1	1	1	1	1	1
17	371 8002	Cotter Pin	1	1	1	1	1	1
18	414 0639	Side Handle	2	2	2			
19	300 5401	Screw	8	8	8			
20	394 0014	Washer	8	8	8			
21	580 0502	Rear Bumper	1	1	1			
21	580 0289	Rear Bumper				1	1	1
22	572 1715	Grip	1	1	1	1	1	1
23	327 3065	Screw	4	4	4	4	4	4
24	386 6013	Nut	4	4	4	4	4	4
25	517 0325	Plate & Reflector				2	2	2
26	389 8019	Speed Nut				4	4	4
27	399 9015	Washer	2	2	2	2	2	2
	580 0278	Frame	1	1	1	1	1	1
	389 8029	Speed Nut (Front Handle)	4	4	4	4	4	4



SEAT (NORDIC - T'NT 18")



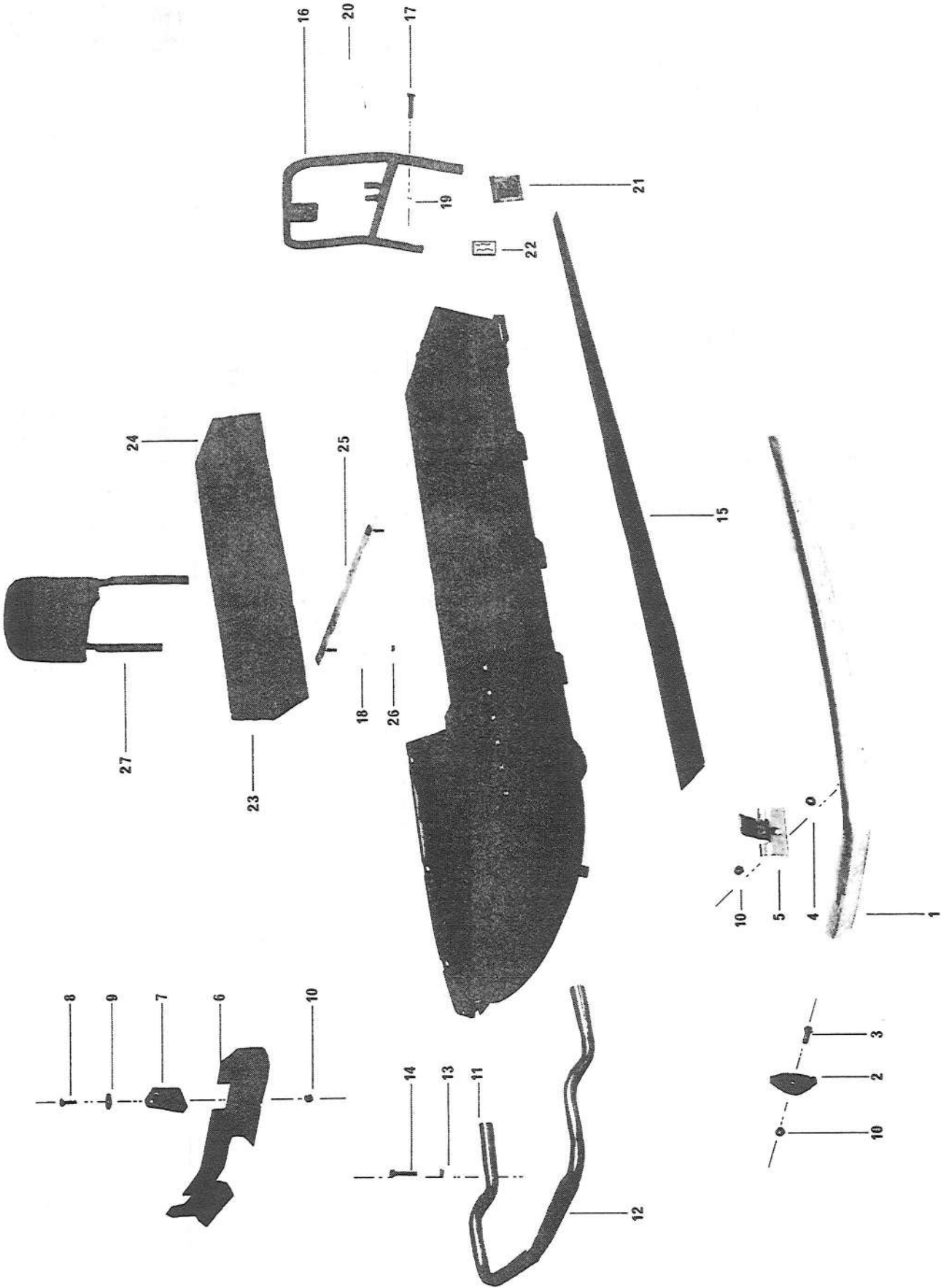
SEAT (NORDIC - T'NT 18")

1971

ITEM NO.	PART NO.	DESCRIPTION	QUANTITY					
			399	399E	640E	T'NT 440	T'NT 640	T'NT 776
1	414 0899	Seat Assembly	1					
1	414 0737	Seat Ass'y		1	1			
2	572 1739	Backrest Part 1	1					
2	561 7030	Backrest Part 1		1	1			
3	572 1740	Backrest Part 2	1					
3	561 7031	Backrest Part 2		1	1			
4	561 7037	Backrest Door	1	1	1			
5	390 4027	Pop Rivet	5	5	5			
6	390 5011	Rivet	8	8	8			
7	414 0633	R.H. Spring	1	1	1			
7	414 0634	L.H. Spring	1	1	1			
8	517 0247	Hinge Pin	1	1	1			
9	414 0664	Padded Backrest	1	1	1			
10	517 0325	Plate & Reflector	2	2	2			
11	389 8043	Speed Nut	7	7	7			
12	300 1003	Screw	4	4	4	2	2	2
13	399 9015	Washer	4	4	4	2	2	2
14	386 6019	Nut	4	4	4	2	2	2
15	414 0667	Seat Ass.				1	1	1
16	414 0662	Leatherette				1	1	1
	414 0668	Foam				1	1	1
17	389 8043	Push Nut	2	2	2			
18	503 0076	Retainer Washer	4	2	2			
19	513 0053	Clip	1	1	1			
21	414 0247	Protector Strip (Mult 12")	AR	AR	AR			
		(NOTE: Same for Olympique)						



FRAME (SKANDIC)



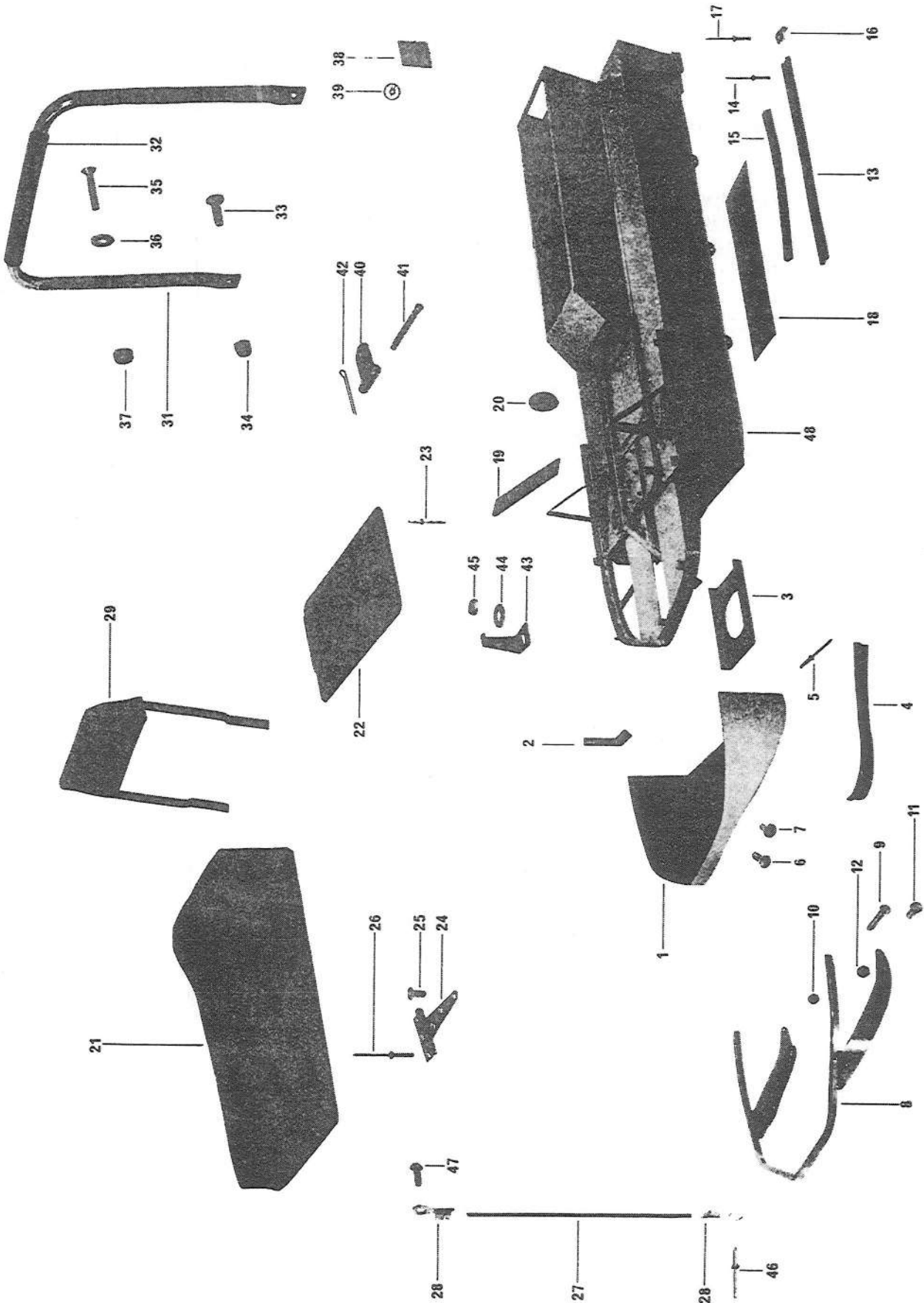
FRAME (SKANDIC)

1971

ITEM NO.	PART NO.	DESCRIPTION	QUANTITY
			335
1	517 0269	R.H. Bumper	1
1	517 0270	L.H. Bumper	1
2	572 1741	Front Bumper	1
3	300 5003	Screw	1
4	517 0152	Spacer	6
5	517 0235	Cabin Guide	6
6	517 0271	Snow Deflector	1
7	517 0208	Hinge Bracket	2
8	300 5001	Screw	2
9	399 9015	Washer	2
10	386 9003	Nut	9
11	580 0503	Front Handle	1
12	572 1710	Grip	2
13	399 8010	Washer	4
14	300 1004	Screw	4
15	570 1805	R.H. Foot Pad	1
15	570 1806	L.H. Foot Pad	1
16	517 0274	Back Tube	1
17	300 1004	Screw	6
18	399 9015	Washer	2
19	386 6019	Nut	6
20	561 7041	Hair Pin	1
21	517 0325	Plate And Reflector	2
22	389 8019	Speed Nut	2
23	414 0738	Seat	1
	414 0539	Foam	1
24	414 0661	Leatherette	1
25	517 0164	Stud Plate	1
26	386 6019	Nut	2
27	580 0198	Center Backrest	1
28	580 0278	Frame	1



FRAME (VALMONT - ALPINE)

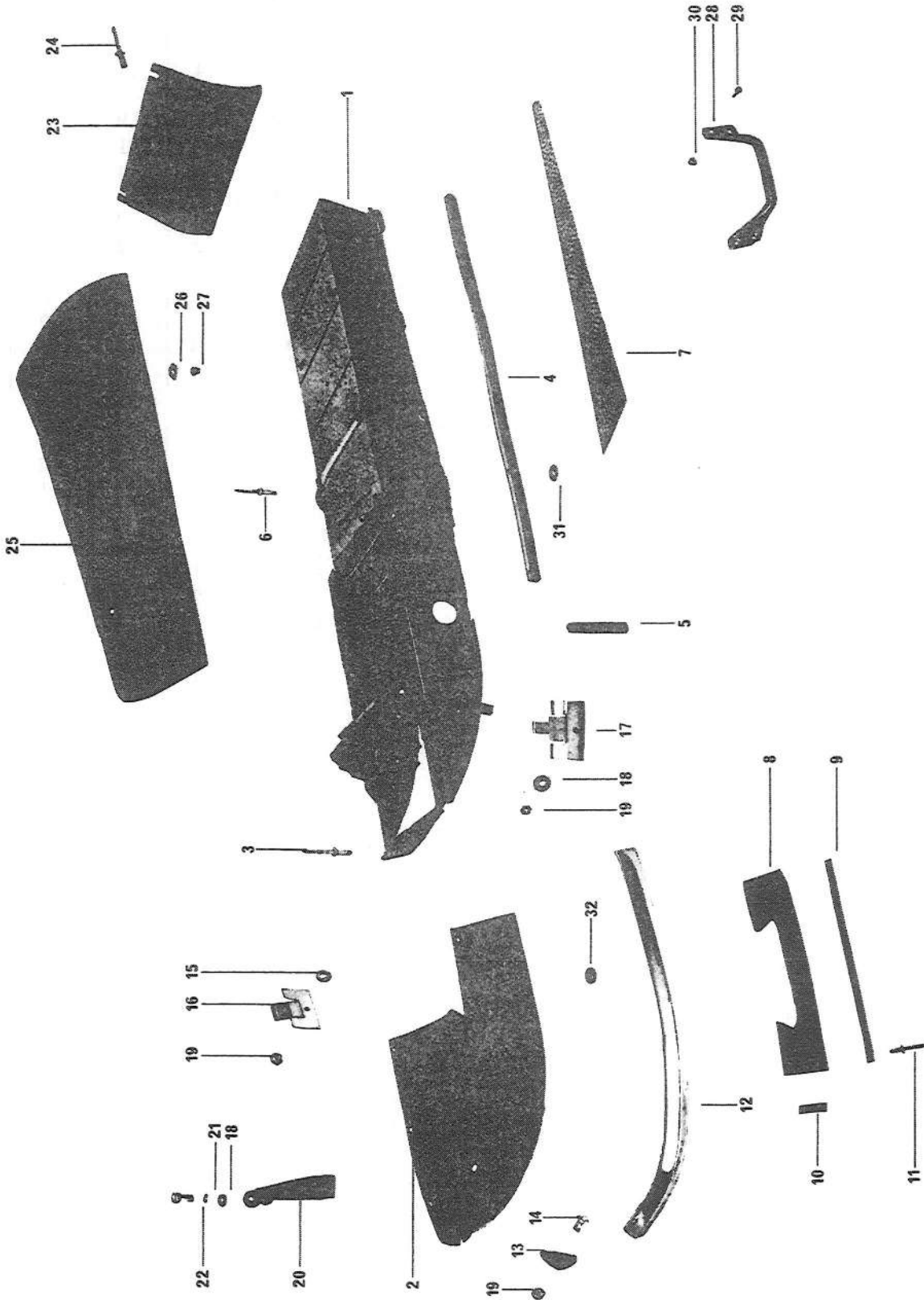


FRAME (VALMONT - ALPINE)

1971

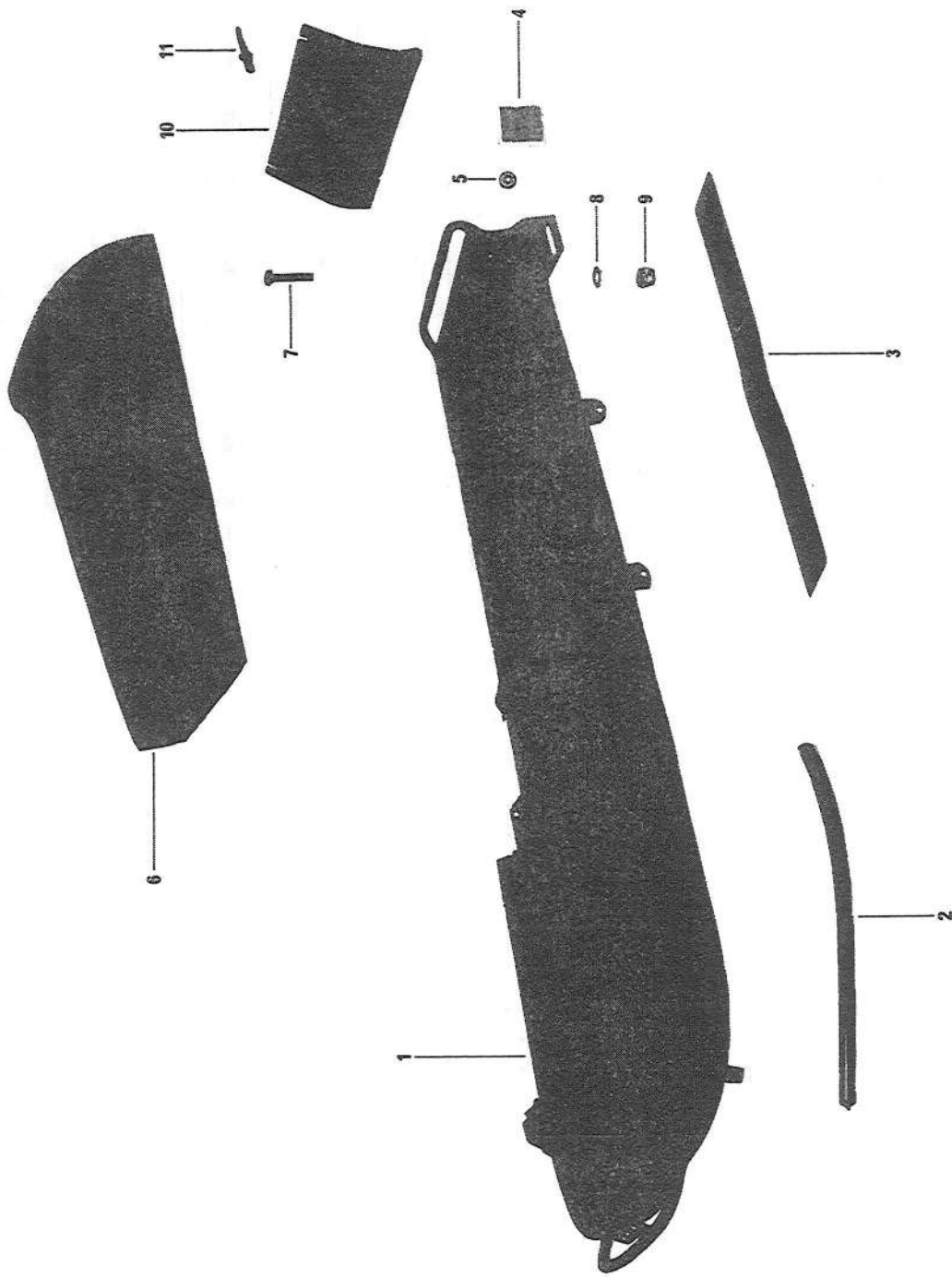
ITEM NO.	PART NO.	DESCRIPTION	QUANTITY					
			V 399R	V 399ER	V 640ER	A 399R	A 399ER	A 640ER
1	571 1605	Bottom Plate	1	1	1	1	1	1
2	414 0188	Plastic Sealer (Mult 12")	AR	AR	AR	AR	AR	AR
3	517 0317	Plate Seal	1	1	1	1	1	1
4	414 0772	Body Moulding	1	1	1	1	1	1
5	390 4004	Rivet	14	14	14	14	14	14
6	390 2002	Tubular Rivet	4	4	4	4	4	4
7	390 2001	Tubular Rivet	8	8	8	8	8	8
8	517 0307	Front Bumper	1	1	1	1	1	1
9	321 7108	Screw	4	4	4	4	4	4
10	387 0019	Nut	4	4	4	4	4	4
11	300 1043	Screw	2	2	2	2	2	2
12	386 6022	Nut	2	2	2	2	2	2
13	517 0323	Side Guard	2	2	2			
13	517 0324	Side Guard				2	2	2
14	390 4001	Rivet	12	12	12	16	16	16
15	414 0773	Rubber Rib (Mult 12")	AR	AR	AR	AR	AR	AR
16	517 0316	Foot Rib Stop	4	4	4	4	4	4
17	390 4015	Rivet	4	4	4	4	4	4
18	570 1757	Foot Pad	2	2	2			
18	570 1759	Foot Pad				2	2	2
19	570 1758	Foot Rest Pad	2	2	2	2	2	2
20	570 1773	Grommet	1	1	1	1	1	1
21	414 0758	Seat	1	1	1			
21	414 0764	Seat				1	1	1
22	571 1724	Offset Cover	1	1	1	1	1	1
23	390 4012	Pop Rivet	6	6	6	6	6	6
24	414 0151	Hinge	2	2	2	3	3	3
25	324 1060	Screw	6	6	6	9	9	9
26	390 4011	Pop Rivet	6	6	6	9	9	9
27	414 0574	Steel Wire (Mult 12")	AR	AR	AR	AR	AR	AR
28	409 0018	Open Barrel	2	2	2	4	4	4
29	414 0759	Padded Backrest	1	1	1	1	1	1
31	580 3107	Rear Bumper	1	1	1			
31	580 3108	Rear Bumper				1	1	1
32	572 1715	Grip	1	1	1	1	1	1
33	300 1001	Screw	2	2	2	2	2	2
34	386 6019	Nut	2	2	2	2	2	2
35	327 3065	Screw	2	2	2	2	2	2
36	399 9018	Washer	2	2	2	2	2	2
37	386 6013	Nut	2	2	2	2	2	2
38	517 0325	Plate & Reflector	2	2	2	2	2	2
39	389 8043	Push Nut	4	4	4	4	4	4
40	517 0087	Hitch Plate	1	1	1	1	1	1
41	517 0097	Pin	1	1	1	1	1	1
42	371 8002	Cotter Pin	1	1	1	1	1	1
43	517 0305	Latch Bracket	2	2	2	2	2	2
44	399 9015	Washer	2	2	2	2	2	2
45	386 6019	Nut	2	2	2	2	2	2
46	390 4013	Pop Rivet	1	1	1	2	2	2
47	320 1061	Screw	1	1	1	2	2	2
48	580 3080	Frame	1	1	1			
48	580 3101	Frame				1	1	1
	414 0757	Backrest Foam	1	1	1	1	1	1
	414 0788	Backrest Leatherette	1	1	1	1	1	1





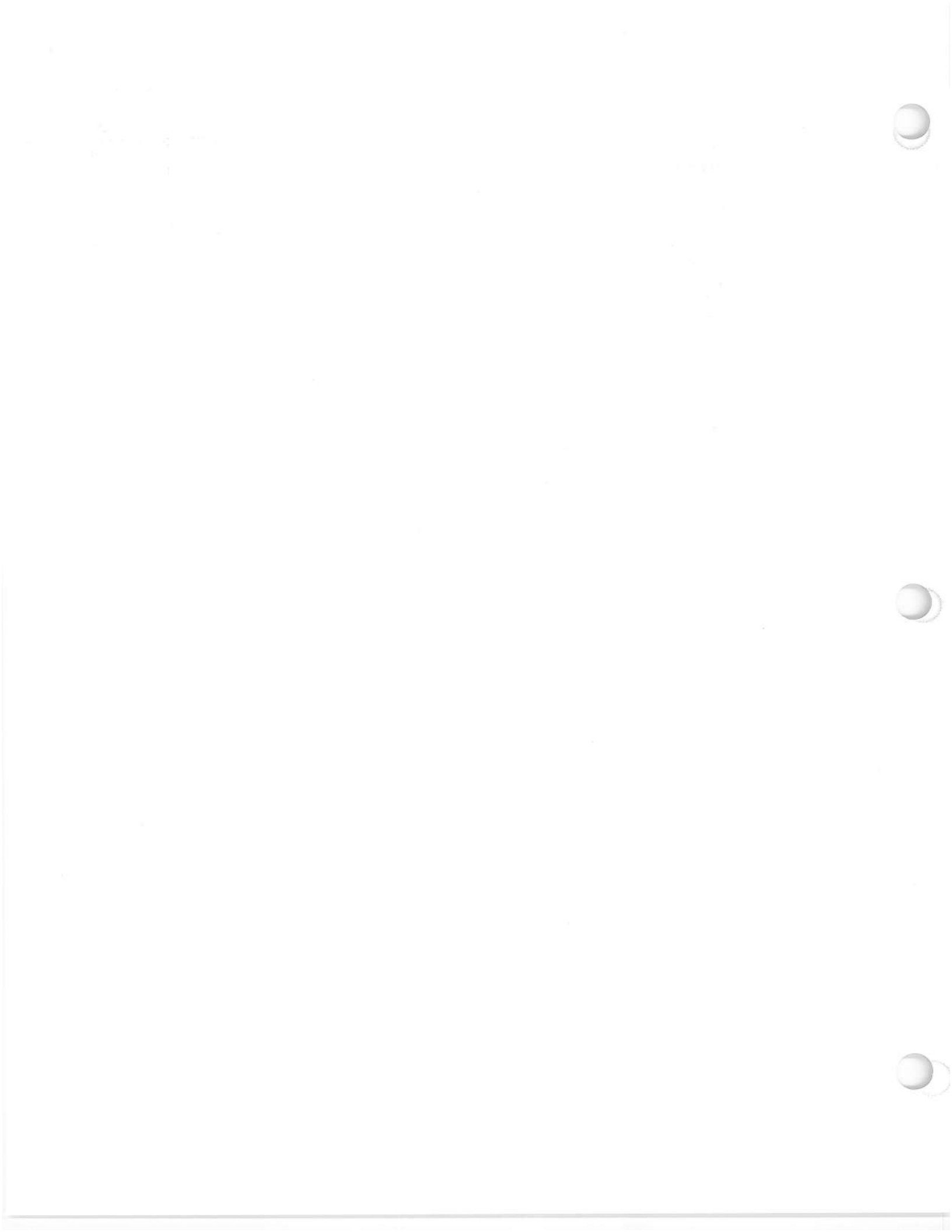
ITEM NO.	PART NO.	DESCRIPTION	QUANTITY					
			291	336	397	437	636	797
1	580 0331	Frame	1	1	1	1		
1	580 0372	Frame					1	1
2	518 0412	Bottom Plate	1	1	1	1		
2	518 0436	Bottom Plate					1	1
3	390 6001	Rivet	AR	AR	AR	AR	AR	AR
4	561 8004	Frame Protector	2	2	2	2		
4	414 0922	Frame Protector	2	2	2	2		
4	414 0923	Frame Protector					2	2
5	414 0939	Bottom Plate Protector	2	2	2	2	2	2
6	390 4031	Rivet	22	22	22	22	20	20
7	570 1779	Foot Pad	2	2	2	2	2	2
8	570 0022	Snow Protector	1	1	1	1		
8	570 1766	Snow Protector					1	1
9	517 0341	Holding Stripe	1	1	1	1		
9	517 0352	Holding Stripe					1	1
10	517 0342	Holding Stripe	2	2	2	2		
10	517 0354	Holding Stripe					2	2
11	390 4009	Rivet	8	8	8	8	9	9
12	517 0254	R.H. Side Bumper	1	1	1	1		
12	517 0255	L.H. Side Bumper	1	1	1	1		
12	517 0269	R.H. Side Bumper					1	1
12	517 0270	L.H. Side Bumper					1	1
13	572 1714	Front Bumper Spacer	1	1	1	1		
13	572 1741	Front Bumper Spacer					1	1
14	300 1003	Screw	1	1	1	1		
14	300 5003	Screw					1	1
15	517 0152	Spacer					6	6
16	517 0235	Cabin Guide	4	4	4	4	2	2
17	561 7043	Cabin Guide	2	2	2	2	4	4
18	399 9008	Washer	8	8	8	8		
18	399 9015	Washer					4	4
19	386 6019	Nut	9	9	9	9		
19	386 9003	Nut					9	9
20	517 0383	Hinge Bracket	2	2	2	2		
21	399 8010	Washer	2	2	2	2		
22	300 1003	Screw	2	2	2	2		
23	570 1769	Snow Guard	1	1	1	1		
23	570 1770	Snow Guard					1	1
24	390 9017	Rivet	4	4	4	4	3	3
25	414 0848	Seat	1	1	1	1		
25	414 0879	Seat					1	1
26	399 9008	Washer	2	2	2	2	2	2
27	386 9003	Nut	2	2	2	2	2	2
28	266 8001	Handle	1	1	1	1	1	1
29	323 3061	Screw	4	4	4	4	4	4
30	386 6013	Nut	4	4	4	4	4	4
31	391 0014	Washer	16	16	16	16	20	20
32	414 0726	Button Plug					1	1
33	300 5001	Screw					2	2





ITEM NO.	PART NO.	DESCRIPTION	QUANTITY
			246
1	580 3117	Frame	1
2	414 0590	Body Moulding	2
3	570 1751	Foot Pad	2
4	517 0325	Plate & Reflector	2
5	389 8043	Push Nut	4
6	414 0587	Seat	1
7	300 1004	Screw	2
8	399 9015	Washer	2
9	386 6019	Nut	2
10	570 1747	Snow Guard	1
11	390 9017	Rivet	4
	517 0410	Snow Guard Strip	1
	414 0978	Identification Plate	1
	300 1005	Screw	4
	399 9019	Washer	4
	385 8007	Nut	4





HOOD

SECTION 4-2

CAB DASH PANEL CONSOLE

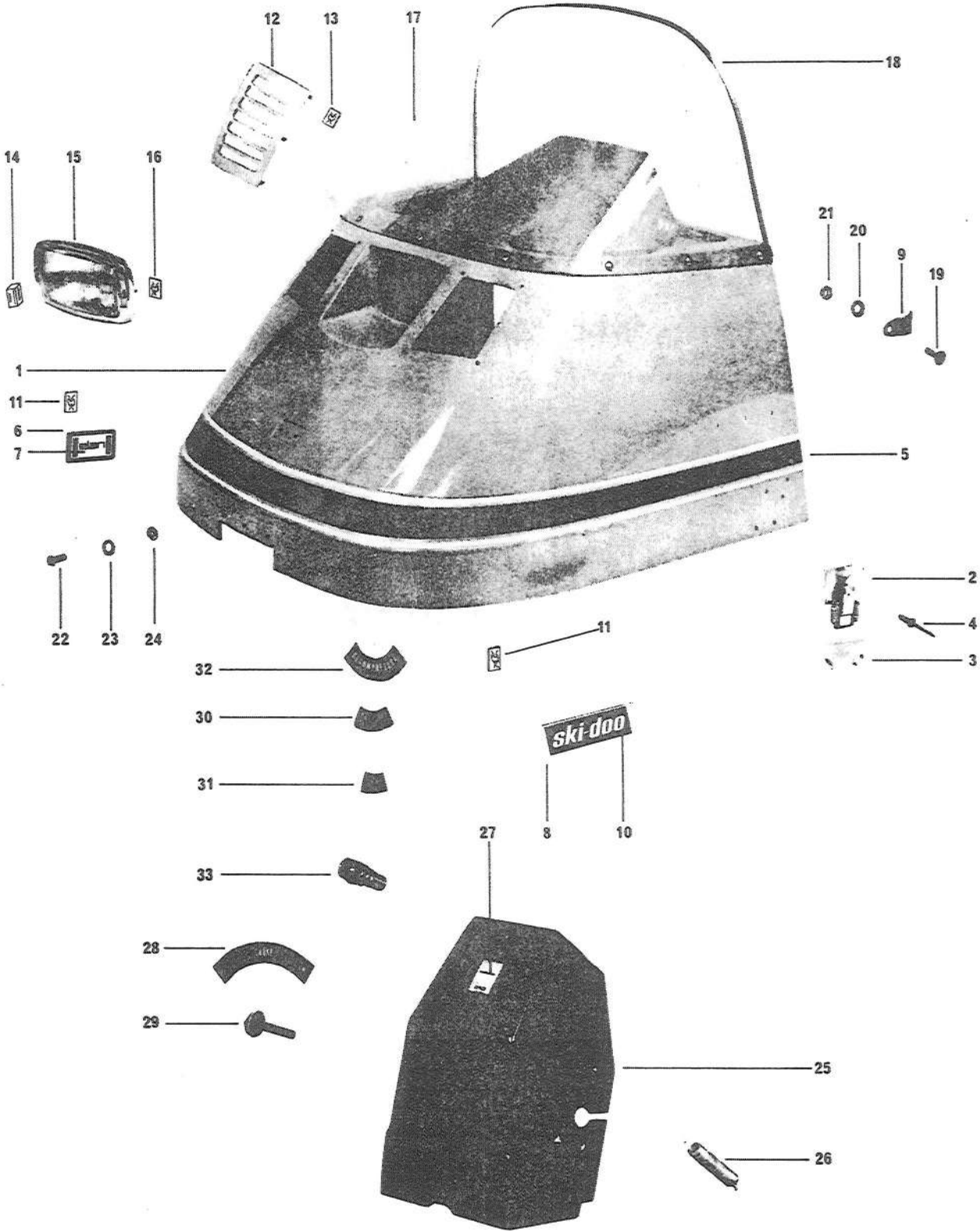


Cat. No. 480 1016.



March 1970.
SECTION 4-2 - PAGE 1

HOOD (ELAN)



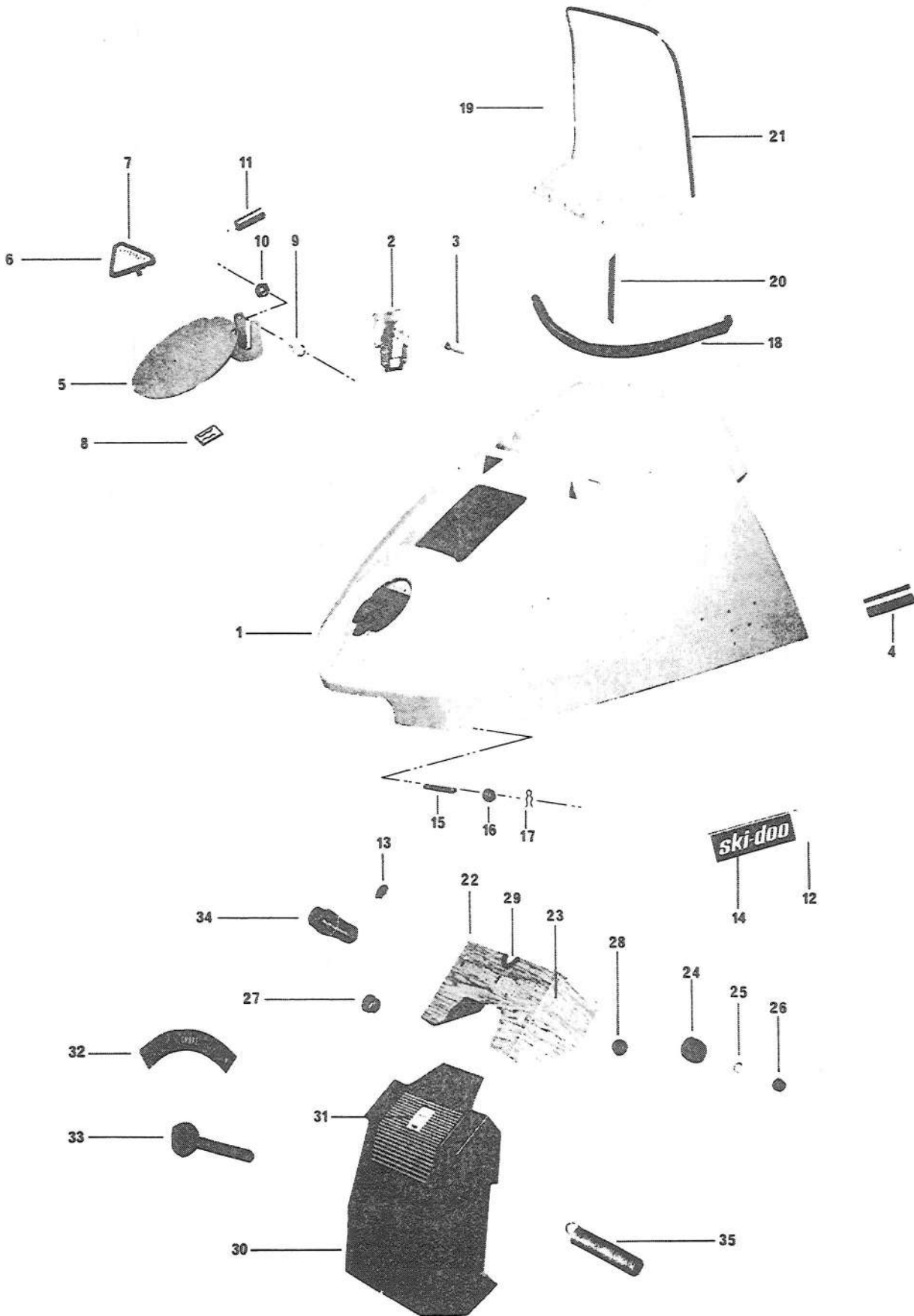
HOOD (ELAN)

1971

ITEM NO.	PART NO.	DESCRIPTION	QUANTITY	
			250	250E
1	571 1796	Cab	1	1
2	414 0309	Cabin Latch	2	2
3	517 0238	Guide Bracket	2	2
4	390 4019	Rivet	12	12
5	414 0792	R.H. Stripe	1	1
5	414 0792	L.H. Stripe	1	1
6	572 1709	Identification Plate	1	1
7	414 0583	Identification Label	1	1
8	517 0326	Plate & Reflector	2	2
9	517 0239	Clip	2	2
10	414 0584	Ski-Doo Label	2	2
11	389 8019	Speed Nut	8	8
12	572 1743	R.H. Louvre	1	1
12	572 1744	L.H. Louvre	1	1
13	389 8019	Speed Nut	12	12
14	570 1756	Rubber Spacer	2	2
15	410 6010	Projector	1	1
16	389 8010	Speed Nut	2	2
17	414 0585	Windshield	1	1
18	414 0480	Windshield Protector (Mult 12")	AR	AR
19	360 8011	Carriage Bolt	9	9
20	399 9023	Washer	9	9
21	386 9002	Nut	9	9
22	309 8034	Screw	3	3
23	399 9018	Washer	3	3
24	386 6013	Nut	3	3
25	572 1718	Console	1	1
26	414 0578	Spring	1	1
27	414 0579	Bombardier Crest	1	
27	414 0687	Bombardier Crest		1
28	414 0577	Choke Label	1	1
29	572 1742	Choke Button	1	1
30	414 0689	Ignition Label		1
30	414 0575	Switch Label	1	
31	414 0690	Light Label		1
32	414 0576	Decompressor Label	1	1
33	572 1712	Decompressor Knob	1	1



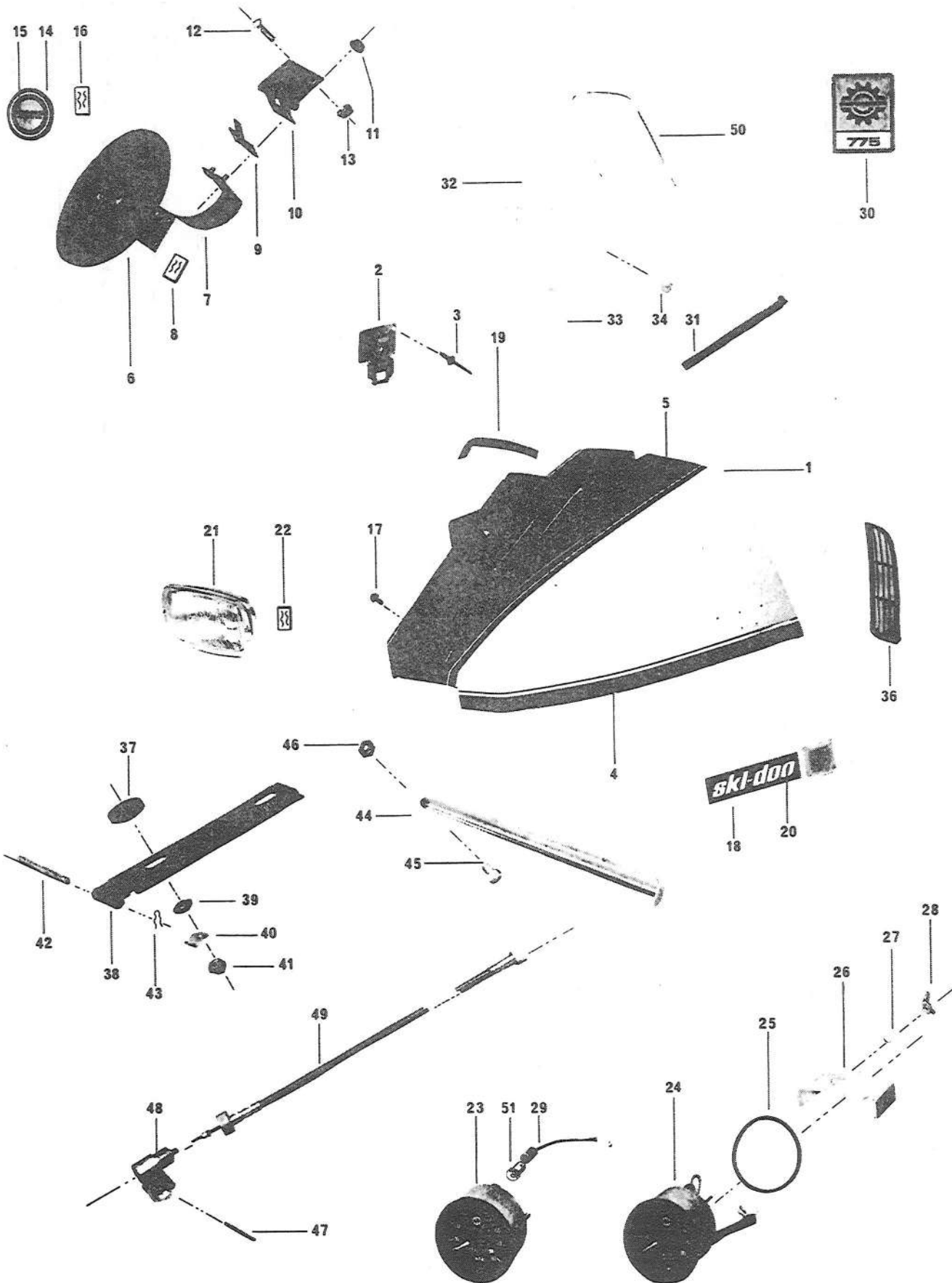
HOOD (OLYMPIQUE)



ITEM NO.	PART NO.	DESCRIPTION	QUANTITY				
			300	335	335E	399	399E
1	561 7038	Cab	1	1	1	1	1
2	414 0309	Cabin Latch	2	2	2	2	2
3	390 4019	Rivet	8	8	8	8	8
4	414 0617	Stripe (Mult 12")	AR				
4	414 0618	Stripe (Mult 12")		AR	AR	AR	AR
5	572 1725	Filler Door	1	1	1	1	1
6	572 1708	Identification Plate	1	1	1	1	1
7	414 0625	Identification Label	1	1	1	1	1
8	389 8043	Push Nut	8	8	8	8	8
9	320 1062	Screw	2	2	2	2	2
10	386 6013	Nut	2	2	2	2	2
11	414 0642	Spring	1	1	1	1	1
12	517 0326	Plate & Reflector	2	2	2	2	2
13	414 0769	Plug Hole					1
14	414 0584	Ski-Doo Label	2	2	2	2	2
15	517 0122	Hinge Pin	2	2	2	2	2
16	570 1750	Grommet	4	4	4	4	4
17	414 0189	Retainer Clip	2	2	2	2	2
18	570 1752	Windshield Anchor Strip	1	1	1	1	1
19	414 0637	Windshield	1	1	1	1	1
20	517 0142	Windshield Anchor Tab	9	9	9	9	9
21	414 0480	Windshield Protector (Mult. 12") .	AR	AR	AR	AR	AR
22	517 0296	Dash	1	1			
22	517 0241	Dash				1	
22	517 0297	Dash			1		1
23	414 0605	Dash Panel	1				
23	414 0606	Dash Panel		1			
23	414 0607	Dash Panel			1		1
23	414 0608	Dash Panel				1	
24	570 1755	Rubber Spacer	3	3	3	2	2
25	399 9008	Washer	3	3	3	2	2
26	386 9003	Nut	3	3	3	2	2
27	414 0692	Snap Bushing	1	1	1	1	1
28	570 1503	Grommet	1	1	1	1	1
29	572 1719	Protector	1	1	1	1	1
30	561 7020	Console		1	1		
30	561 7019	Console	1				
30	561 7021	Console				1	1
31	414 0610	Bombardier Crest	1				
31	414 0611	Bombardier Crest		1			
31	414 0612	Bombardier Crest			1		
31	414 0613	Bombardier Crest				1	
31	414 0648	Bombardier Crest					1
32	414 0614	Choke Label	1	1	1	1	1
33	572 1306	Choke Knob	1	1	1		
33	572 1307	Choke Knob				1	1
34	572 1712	Decompressor Knob	1	1	1		
35	414 0578	Spring	1	1	1	1	1



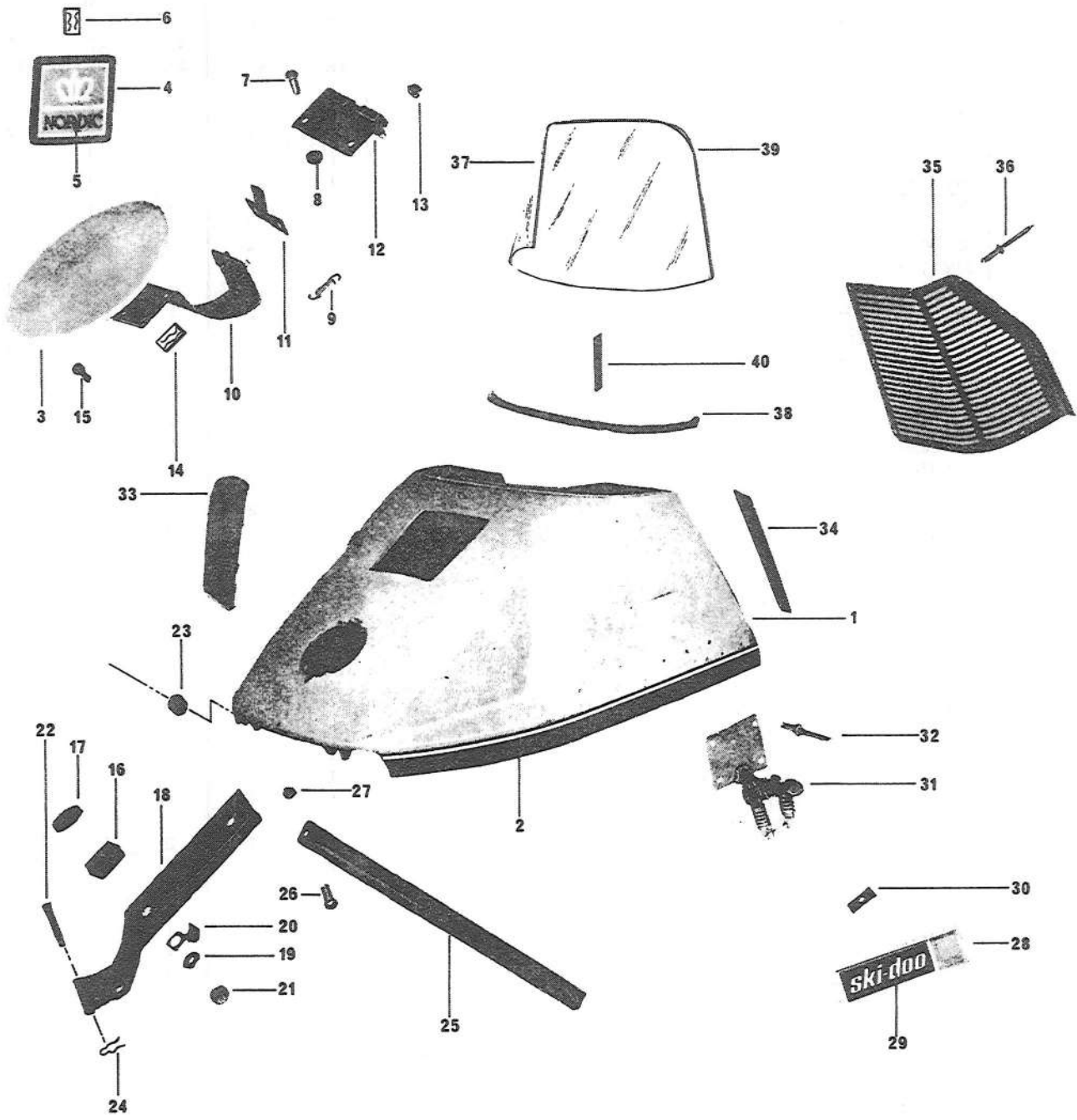
HOOD (T'NT 15" - 18")



ITEM NO.	PART NO.	DESCRIPTION	QUANTITY				
			292	340	440	640	775
1	571 1797	Cab	1	1			
1	571 1602	Cab			1	1	1
2	414 0309	Cabin Latch	2	2	2	2	2
3	390 4019	Pop Rivet	8	8	8	8	8
4	414 0618	Stripe (Mult. 12")	AR	AR			
	414 0618	Stripe (Mult. 12")			AR	AR	AR
5	414 0619	Stripe (Mult. 12")	AR	AR	AR	AR	AR
6	572 1726	Filler Door	1	1	1	1	1
7	513 0039	Hinge Bracket	1	1	1	1	1
8	389 8030	Speed Nut	4	4	4	4	4
9	513 0040	Spring Plate	1	1	1	1	1
10	582 0103	Hinge Assembly	1	1	1	1	1
11	387 3013	Nut	2	2	2	2	2
12	320 1062	Screw	2	2	2	2	2
13	386 6013	Nut	2	2	2	2	2
14	572 1705	Identification Plate	1	1	1	1	1
15	414 0626	Identification Label	1	1	1	1	1
16	389 8019	Speed Nut	8	8	8	8	8
17	570 1714	Door Stop			2	2	2
18	517 0326	Plate & Reflector	2	2	2	2	2
19	414 0778	Windshield Moulding	1	1	1	2	1
20	414 0584	Ski-Doo Label	2	2	2	2	2
21	410 6010	Projector	1	1	1	1	1
22	389 8010	Speed Nut	2	2	2	2	2
23	414 0709	Tachometer	1	1	1	1	1
24	414 0710	Speedometer	1	1	1	1	1
25	414 0711	Rubber Ring	2	2	2	2	2
26	414 0704	Case Holder	2	2	2	2	2
27	414 0712	Lock Washer	4	4	4	4	4
28	414 0703	Wing Nut	4	4	4	4	4
29	410 6018	Tacho, Lamp Socket	1	1	1	1	1
29	410 6019	Speedo Lamp Socket	1	1	1	1	1
30	414 0621	Bombardier Crest	1				
30	414 0622	Bombardier Crest		1			
30	414 0702	Bombardier Crest			1		
30	414 0654	Bombardier Crest				1	
30	414 0655	Bombardier Crest					1
31	570 1753	Windshield Anchor Strip R.H.	1	1	1	1	1
31	570 1754	Windshield Anchor Strip L.H.	1	1	1	1	1
32	414 0638	Windshield	1	1	1	1	1
33	517 0142	Windshield Anchor Tab	6	6	6	6	6
34	363 0073	Screw	5	5	5	5	5
36	414 0404	R.H. Deflector	1	1	1	1	1
36	414 0405	L.H. Deflector	1	1	1	1	1
37	570 1702	Insulator Rubber			8	8	8
38	517 0220	Cabin Hinge L.H.			1	1	1
38	517 0221	Cabin Hinge R.H.			1	1	1
39	399 9008	Washer			4	4	4
40	513 0053	Clip			1	1	1
41	387 5019	Nut			4	4	4
42	517 0122	Hinge Pin	2	2			
42	517 0222	Hinge Pin			2	2	2
43	414 0189	Retainer Clip	2	2	2	2	2
44	517 0137	Cabin Holder			1	1	1
45	320 1062	Screw			1	1	1
46	386 6013	Nut			1	1	1
47	414 0708	Cable Branch Key	1	1	1	1	1
48	414 0707	Angle Drive	1	1	1	1	1
49	414 0706	Flexible Shaft Assembly	1	1	1	1	1
50	414 0255	Windshield Protector (Mult. 12")	AR	AR	AR	AR	AR
51	410 5013	Bulb	2	2	2	2	2



HOOD (NORDIC)



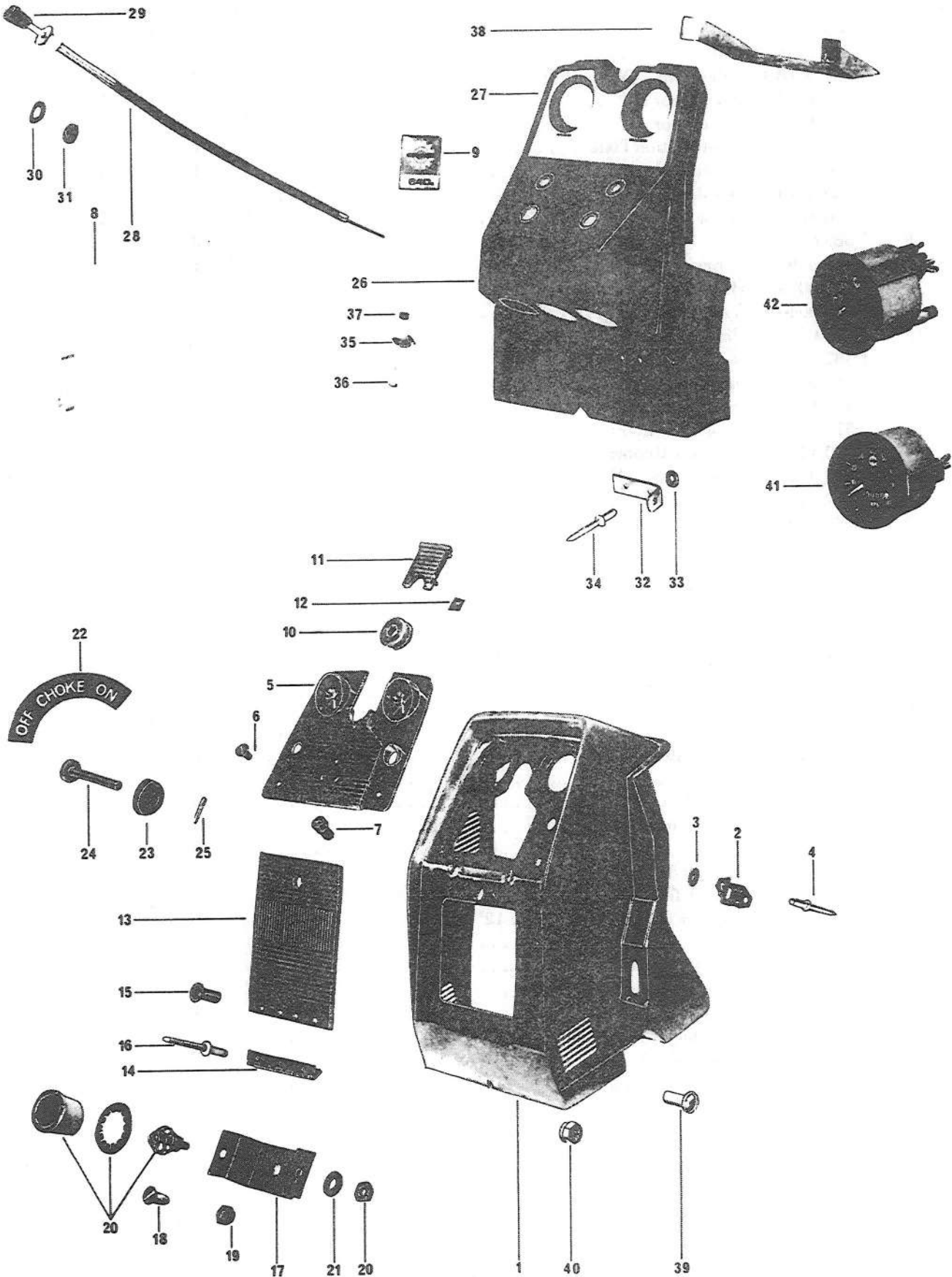
HOOD (NORDIC)

1971

ITEM NO.	PART NO.	DESCRIPTION	QUANTITY		
			399	399E	640E
1	561 7046	Cab	1	1	
1	571 1798	Cab			1
2	414 0618	Cabin Stripe (Mult. 12")	AR	AR	AR
3	572 1702	Filler Door	1	1	
3	572 1738	Filler Door			1
4	572 1706	Identification Plate	1	1	1
5	414 0657	Identification Label	1	1	1
6	389 8019	Speed Nut	2	2	2
7	320 1062	Screw	2	2	2
8	386 6013	Nut	2	2	2
9	414 0497	Spring	1	1	
10	513 0039	Hinge Bracket			1
11	513 0040	Spring Plate			1
12	582 0103	Hinge Assembly			1
13	387 3013	Nut			2
14	389 8030	Speed Nut			4
15	570 1714	Door Stop			2
16	570 1702	Insulator Rubber			8
17	570 1711	Insulator Rubber			4
18	517 0220	Cabin Hinge L.H.			1
18	517 0221	Cabin Hinge R.H.			1
19	399 9008	Washer			4
20	513 0053	Clip			1
21	387 5019	Nut			4
22	517 0122	Hinge Pin	2	2	
22	517 0222	Hinge Pin			2
23	570 1750	Grommet	4	4	
24	414 0189	Retainer Clip	2	2	2
25	517 0137	Cabin Holder	1	1	1
26	320 1062	Screw	1	1	1
27	386 6013	Nut	1	1	1
28	517 0326	Plate & Reflector	2	2	2
29	414 0584	Ski-Doo Label	2	2	2
30	389 8019	Speed Nut	6	6	6
31	414 0309	Cabin Latch	2	2	2
32	390 4019	Pop Rivet	8	8	8
33	414 0650	R.H. Deflector	1	1	1
33	414 0651	L.H. Deflector	1	1	1
34	414 0211	Contour Cab Moulding (Mult. 12")	AR	AR	AR
35	517 0264	L.H. Lower Grille			1
35	517 0136	R.H. Lower Grille			1
36	390 4019	Pop Rivet			20
37	414 0483	Windshield	1	1	1
38	570 1715	Windshield Anchor Strip	1	1	1
39	414 0480	Windshield Protector (Mult. 12")	AR	AR	AR
40	517 0142	Windshield Anchor Tab	9	9	9



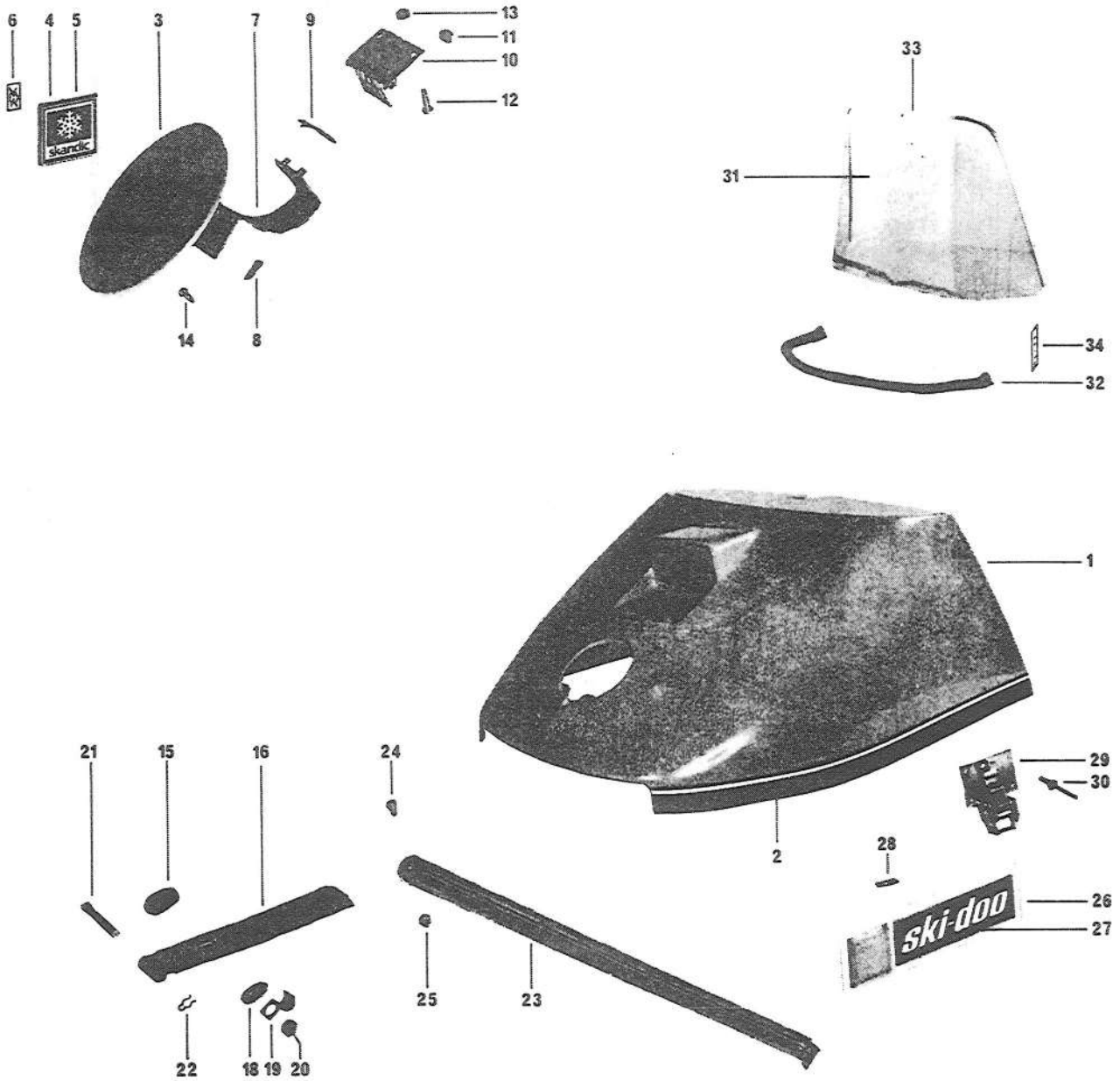
HOOD (NORDIC)



ITEM NO.	PART NO.	DESCRIPTION	QUANTITY		
			399	399E	640E
1	572 1733	Console	1		
1	561 7027	Console		1	
2	414 0217	Anchor Clip	2	2	
3	399 9013	Washer	4	4	
4	390 4001	Rivet	4	4	
5	571 1728	Upper Access Cover	1		
5	561 7028	Upper Access Cover		1	
6	355 0011	Screw	2	2	
7	414 0213	Anchor Stud	2	2	
8	414 0645	L.H. Dash Panel	1		
8	414 0647	L.H. Dash Panel		1	
8	414 0644	R.H. Dash Panel	1		
8	414 0646	R.H. Dash Panel		1	
9	414 0613	Bombardier Crest	1		
9	414 0648	Bombardier Crest		1	
9	414 0643	Bombardier Crest			1
10	570 1713	Console Grommet	1	1	1
11	571 1729	Upper Cover Insert	1	1	
12	389 8043	Push Nut	4	4	
13	572 1736	Lower Access Cover	1	1	
14	517 0125	Hinge	1	1	
15	390 2003	Rivet	4	4	
16	390 4013	Pop Rivet	3	3	
17	517 0126	Push Button Bracket	1	1	
18	323 3061	Screw	2	2	
19	387 3013	Nut	2	2	
20	414 0199	Push Botton Ass'y	1	1	
21	391 0017	Washer	1	1	
22	414 0437	Choke Label	1	1	
23	414 0485	Grommet	1	1	
24	414 0396	Choke Knob	1	1	
25	371 0001	Cotter Pin	1	1	
26	572 1734	Console			1
27	414 0679	Dash Panel			1
28	414 0503	Choke Control			1
29	572 1735	Knob			1
30	504 0015	Washer			1
31	389 8040	Nut			1
32	517 0209	Bracket			2
33	399 9018	Washer			4
34	390 4013	Pop Rivet			4
35	513 0053	Clip			1
36	320 1062	Screw			1
37	387 3013	Nut			1
38	517 0213	Console Support			1
39	320 9102	Screw	6	6	
39	300 1000	Screw			2
40	386 6019	Nut	6	6	2
41	414 0710	Speedo (see hood T'NT section 4-2 Page 7)			1
42	414 0709	Tacho (see hood T'NT section 4-2 Page 7)			1



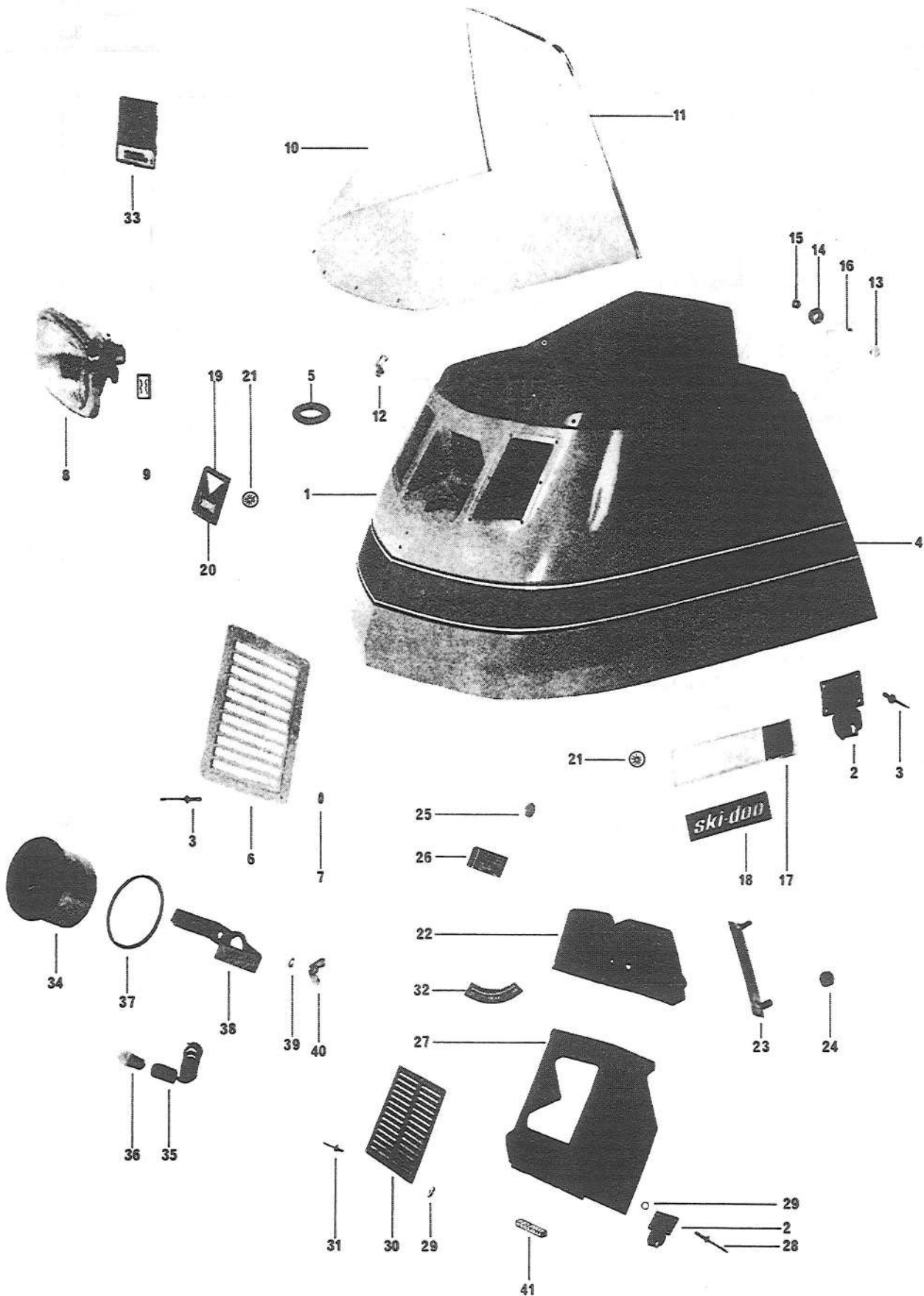
HOOD (SKANDIC)



ITEM NO.	PART NO.	DESCRIPTION	QUANTITY
			335
1	571 1799	Cab	1
2	414 0618	Cabin Stripe (Mult 12")	AR
3	572 1738	Filler Door	1
4	572 1706	Identification Plate	1
5	414 0658	Identification Label	1
6	389 8019	Speed Nut	2
7	513 0039	Hinge Bracket	1
8	389 8030	Speed Nut	4
9	513 0040	Spring Plate	1
10	582 0103	Hinge Ass'y	1
11	387 3013	Nut	2
12	320 1062	Screw	2
13	386 6013	Nut	2
14	570 1714	Door Stop	2
15	570 1702	Insulator Rubber	8
16	517 0220	Cabin Hinge L.H.	1
16	517 0221	Cabin Hinge R.H.	1
18	399 9008	Flat Washer	4
19	513 0053	Clip	1
20	387 5019	Nut	4
21	517 0222	Hinge Pin	2
22	414 0189	Retainer Clip	2
23	517 0137	Cabin Holder	1
24	320 1062	Screw	1
25	386 6013	Nut	1
26	517 0326	Plate & Reflector	2
27	414 0584	Ski-Doo Label	2
28	389 8019	Speed Nut	6
29	414 0309	Cabin Latch	2
30	390 4019	Pop Rivet	8
31	414 0483	Windshield	1
32	570 1715	Windshield Anchor Strip	1
33	414 0480	Windshield Protector (Mult 12")	AR
34	517 0142	Windshield Anchor Tab	9



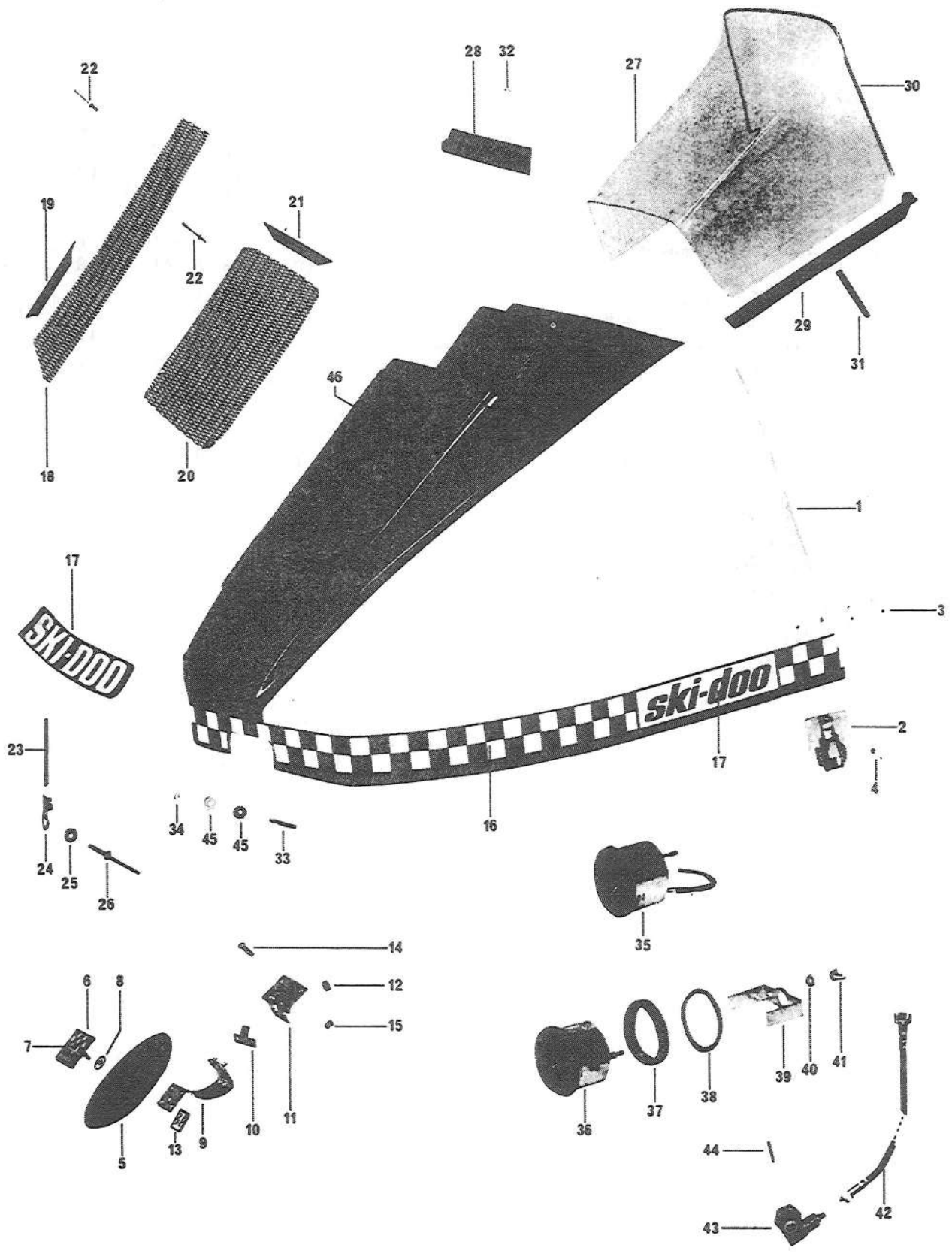
HOOD (VALMONT - ALPINE)



ITEM NO.	PART NO.	DESCRIPTION	QUANTITY					
			V 399R	V 399ER	V 640ER	A 399R	A 399ER	A 640ER
1	571 1603	Cab	1	1	1			
1	571 1604	Cab				1	1	1
2	414 0309	Cabin Latch	4	4	4	4	4	4
3	390 4019	Pop Rivet	20	20	20	20	20	20
4	414 0793	Stripe	1	1	1	1	1	1
5	570 1719	Filler Pipe Grommet	1	1	1	1	1	1
6	572 1751	Louvre	2	2	2	2	2	2
7	399 9003	Washer	12	12	12	12	12	12
8	410 6010	Projector	1	1	1	1	1	1
9	389 8010	Speed Nut	2	2	2	2	2	2
10	414 0761	Windshield	1	1	1	1	1	1
11	414 0480	Windshield Protector (Mult 12")	AR	AR	AR	AR	AR	AR
12	513 0053	Clip	2	2	2	2	2	2
13	360 8011	Carriage Bolt	11	11	11	11	11	11
14	399 9023	Washer	11	11	11	11	11	11
15	386 9002	Nut	11	11	11	11	11	11
16	517 0239	Clip	2	2	2	2	2	2
17	517 0326	Plate & Reflector	2	2	2	2	2	2
18	414 0584	Ski Doo Label	2	2	2	2	2	2
19	572 1706	Identification Plate	1	1	1	1	1	1
20	414 0745	Identification Label	1	1	1			
20	414 0746	Identification Label				1	1	1
21	389 8043	Push Nut	8	8	8	8	8	8
22	572 1753	Dash	1	1	1			
23	517 0306	Stud Plate	2	2	2			
24	386 6019	Nut	2	2	2			
25	414 0752	Cap	1					
26	414 0741	Sticker	1	1	1			
27	572 1749	Console	1	1	1			
28	390 4027	Rivet	8	8	8			
29	399 9013	Washer	16	16	16			
30	517 0321	Grille	1	1	1			
31	390 4007	Rivet	8	8	8			
32	414 0742	Choke Label	1	1	1			
33	414 0613	Bombardier Crest	1					
33	414 0648	Bombardier Crest		1				
33	414 0643	Bombardier Crest			1			
34	414 0709	Tachometer	1	1	1			
35	410 6018	Lamp Socket	1	1	1			
36	410 5013	Bulb	1	1	1			
37	414 0711	Rubber Ring	1	1	1			
38	414 0704	Case Holder	1	1	1			
39	414 0712	Lock Washer	2	2	2			
40	414 0703	Wing Nut	2	2	2			
41	414 0898	Door Tite (Mult 12")	AR	AR	AR			



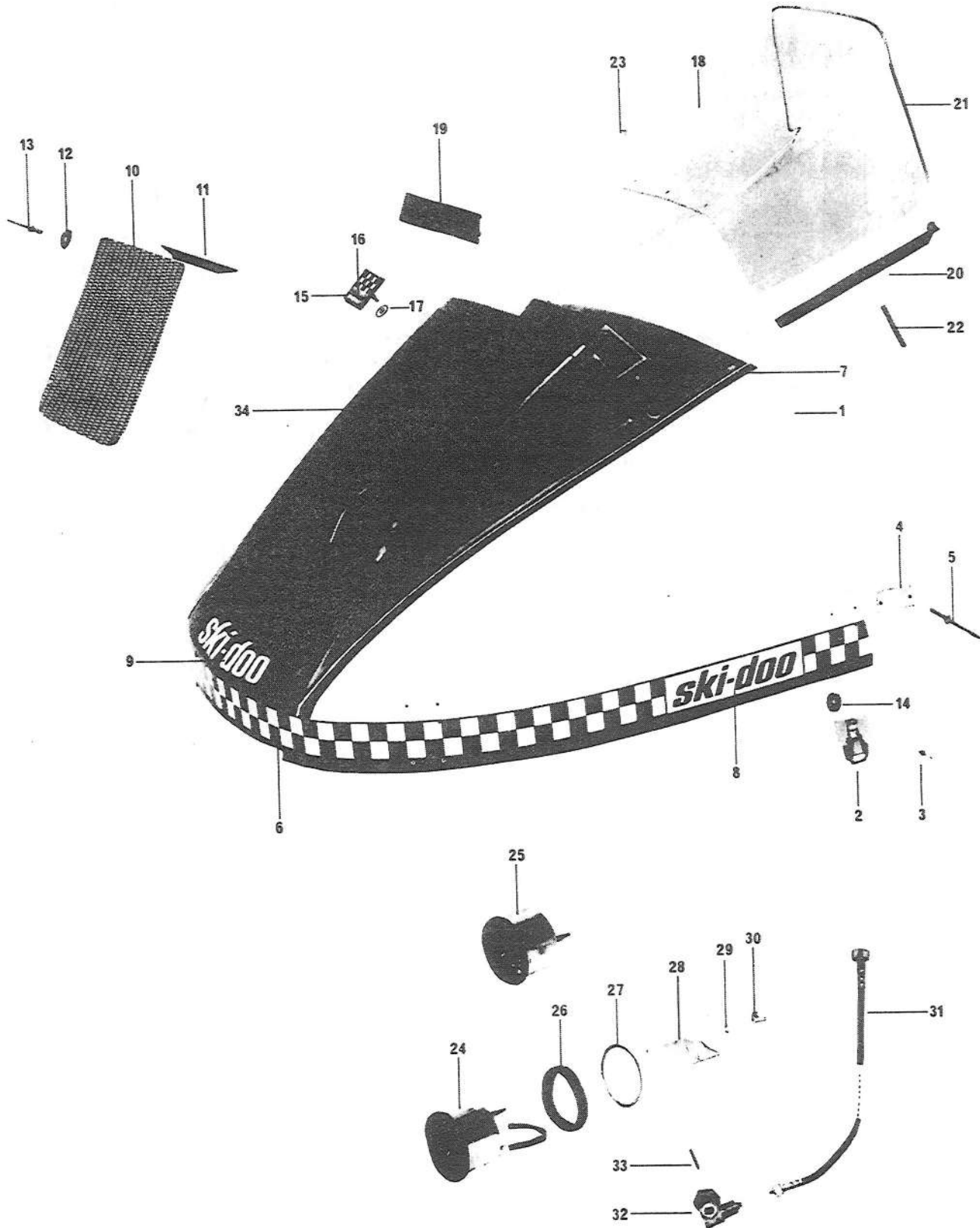
HOOD (BLIZZARD 15")



ITEM NO.	PART NO.	DESCRIPTION	QUANTITY			
			291	336	397	437
1	571 2701	Cab	1	1	1	1
2	414 0309	Latch Bracket	2	2	2	2
3	517 0238	Guide Bracket	4	4	4	4
4	390 4014	Rivet	16	16	16	16
5	572 1726	Filler Door	1	1	1	1
6	572 1706	Identification Plate	1	1	1	1
7	414 0916	Identification Label	1	1	1	1
8	389 8043	Push Nut	2	2	2	2
9	513 0039	Hinge Bracket	1	1	1	1
10	513 0040	Spring Plate	1	1	1	1
11	582 0103	Hinge Ass'y	1	1	1	1
12	387 3013	Nut	2	2	2	2
13	389 8030	Speed Nut	4	4	4	4
14	320 1062	Screw	2	2	2	2
15	386 6013	Nut	2	2	2	2
16	414 0908	Stripe (Mult 12")	AR	AR	AR	AR
17	414 0914	Ski-Doo Label	2	2	2	2
17	414 0915	Ski-Doo Front Label	1	1	1	1
18	517 0366	Side Grill	1	1	1	1
19	517 0402	R.H. Side Retaining Strip	1	1	1	1
	517 0403	L.H. Side Retaining Strip	1	1	1	1
20	517 0365	Front Grill	1	1	1	1
21	517 0399	Side Retaining Strip	2	2	2	2
	517 0400	Bottom Retaining Strip	1	1	1	1
	517 0401	Top Retaining Strip	1	1	1	1
22	390 4007	Rivet	26	26	26	26
23	414 0574	Steel Wire (Mult 12")	AR	AR	AR	AR
24	409 0018	Open Barrel	2	2	2	2
25	399 9003	Washer	2	2	2	2
26	390 4001	Rivet	1	1	1	1
27	561 7055	Windshield	1	1	1	1
28	414 0778	Windshield Moulding	1	1	1	1
29	570 1753	Anchor Strip R.H.	1	1	1	1
29	570 1754	Anchor Strip L.H.	1	1	1	1
30	414 0255	Windshield Protector (Mult 12")	AR	AR	AR	AR
31	517 0142	Anchor Tab	6	6	6	6
32	363 0073	Screw	5	5	5	5
33	517 0122	Hinge Pin	2	2	2	2
34	414 0189	Retainer Clip	2	2	2	2
35	414 0803	Tachometer	1	1	1	1
36	414 0804	Speedometer	1	1	1	1
37	414 0884	Case Packing	2	2	2	2
38	414 0885	Plate	2	2	2	2
39	414 0886	Case Holder	2	2	2	2
40	414 0712	Lock Washer	4	4	4	4
41	414 0703	Wing Nut	4	4	4	4
42	414 0819	Flexible Shaft Ass'y	1	1	1	1
43	414 0707	Angle Drive	1	1	1	1
44	414 0708	Cable Branch Key	1	1	1	1
45	399 9023	Washer	4	4	4	4
46	571 1607	Air Duct	1	1	1	1
	399 9003	Washer	AR	AR	AR	AR
	390 4007	Rivet	AR	AR	AR	AR



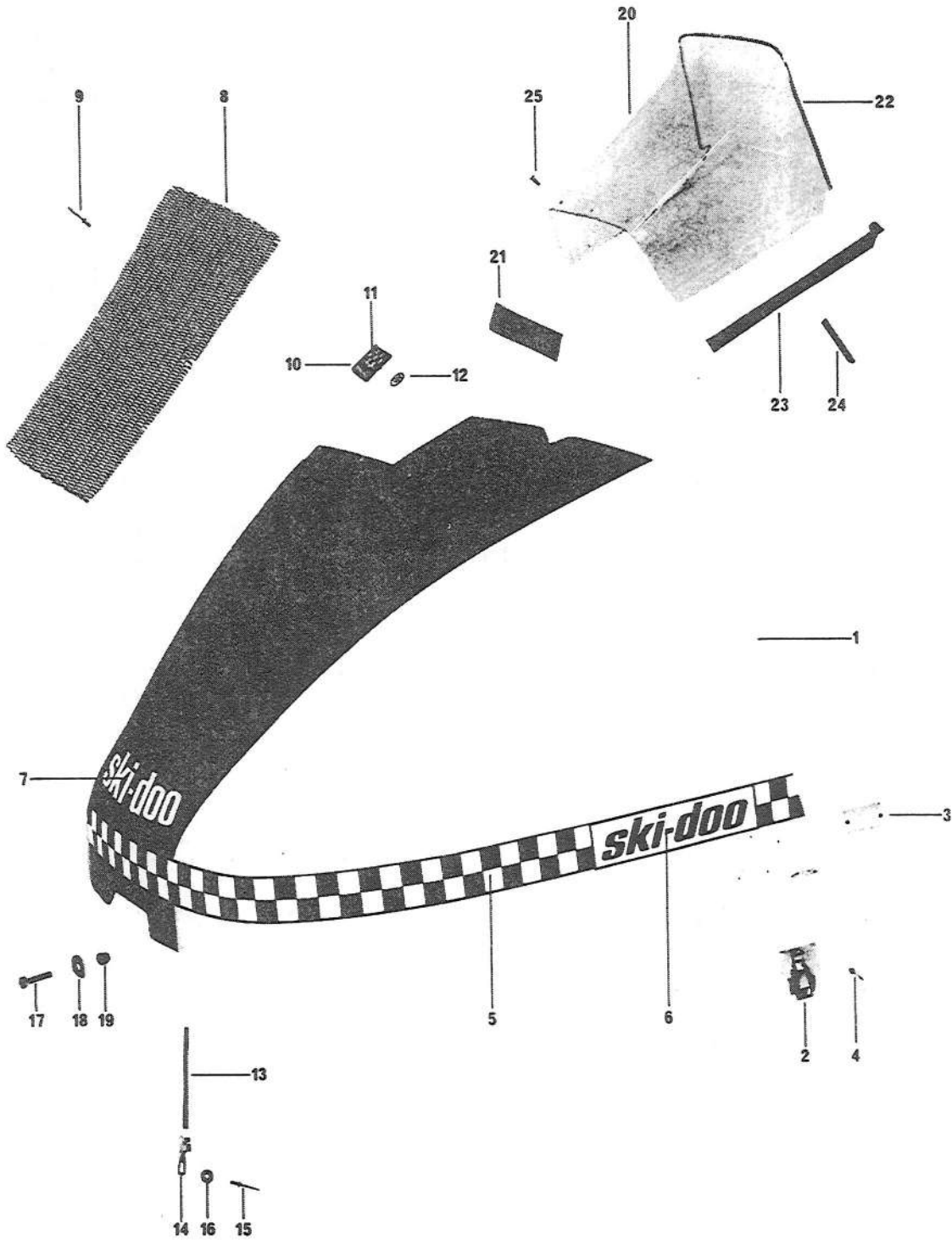
HOOD (BLIZZARD 16-1/2")



ITEM NO.	PART NO.	DESCRIPTION	QUANTITY	
			636	797
1	571 2702	Cab	1	1
2	414 0309	Cabin Latch	4	4
3	390 4014	Rivet	16	16
4	517 0238	Cabin Guide	4	4
5	390 4001	Rivet	8	8
6	414 0908	Stripe (Mult 12")	AR	AR
7	414 0619	Stripe (Mult 12")	AR	AR
8	414 0914	Ski-Doo Label	2	2
9	414 0915	Ski-Doo Front Label	1	1
10	517 0374	Front Grill	1	1
11	517 0402	Top Retaining Strip	1	1
	517 0408	Side Retaining Strip	2	2
	517 0409	Bottom Retaining Strip	1	1
12	399 9003	Washer	16	16
13	390 4007	Rivet	18	18
14	399 9003	Washer	16	16
15	572 1706	Identification Plate	1	1
16	414 0916	Identification Label	1	1
17	389 8043	Push Nut	2	2
18	414 0799	Windshield	1	1
19	414 0912	Windshield Moulding	1	1
20	570 1771	Anchor Syrip R.H.	1	1
20	570 1772	Anchor Strip L.H.	1	1
21	414 0255	Windshield Protector (Mult 12")	AR	AR
22	517 0142	Anchor Tab	4	4
23	363 0073	Screw	7	7
24	414 0887	Tachometer	1	1
25	414 0804	Speedometer	1	1
26	414 0884	Case Packing	2	2
27	414 0885	Plate	2	2
28	414 0886	Case Holder	2	2
29	414 0712	Washer	4	4
30	414 0703	Wing Nut	4	4
31	414 0819	Flexible Shaft Ass'y	1	1
32	414 0806	Angle Drive	1	1
33	414 0708	Branch Key	1	1
34	571 1606	Air Duct	1	1
	399 9003	Washer	AR	AR
	390 4007	Rivet	AR	AR

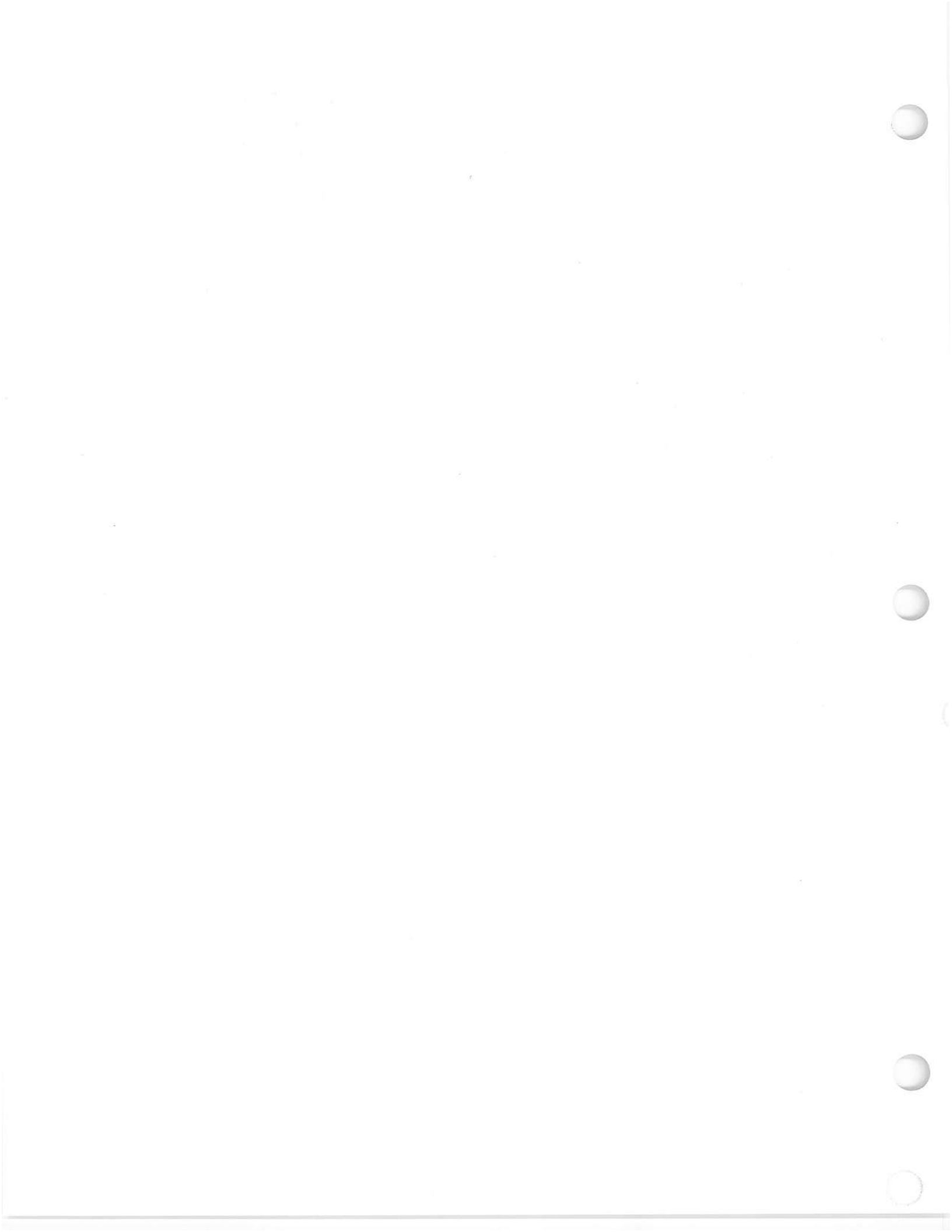


HOOD (BLIZZARD 246)



ITEM NO.	PART NO.	DESCRIPTION	QUANTITY
			246
1	571 2704	Cab	1
2	414 0309	Cabin Latch.	2
3	517 0238	Guide Bracket.	2
4	390 4014	Rivet	12
5	414 0908	Stripe (Mult 12")	AR
6	414 0914	Ski-Doo Label.	2
7	414 0915	Ski-Doo Label.	1
8	517 0397	Grill	1
9	390 4007	Rivet	12
10	572 1706	Identification Plate	1
11	414 0916	Identification Label	1
12	389 8043	Push Nut	2
13	414 0574	Steel Wire (Mult 12")	AR
14	409 0018	Open Barrel	2
15	390 4001	Rivet	1
16	399 9003	Washer	1
17	309 8034	Screw	3
18	399 9018	Washer	3
19	386 6013	Nut	3
20	414 0638	Windshield	1
21	414 0778	Windshield Moulding	1
22	414 0255	Windshield Protector (Mult 12")	AR
23	570 1753	Windshield Anchor Strip R.H.	1
23	570 1754	Windshield Anchor Strip L.H.	1
24	517 0142	Anchor Tab	6
25	363 0073	Screw	5
26	571 1608	Air Duct	1
	399 9003	Washer	AR
	390 4007	Rivet	AR





SECTION 5

5-1 SKI-BOOSE

5-2 ASSEMBLY

5-3 ACCESSORIES

5-4 TOOLS & GASKET SET

SECTION
5



Faint, illegible markings or bleed-through at the top of the page.



Faint, illegible markings or bleed-through in the bottom left corner.

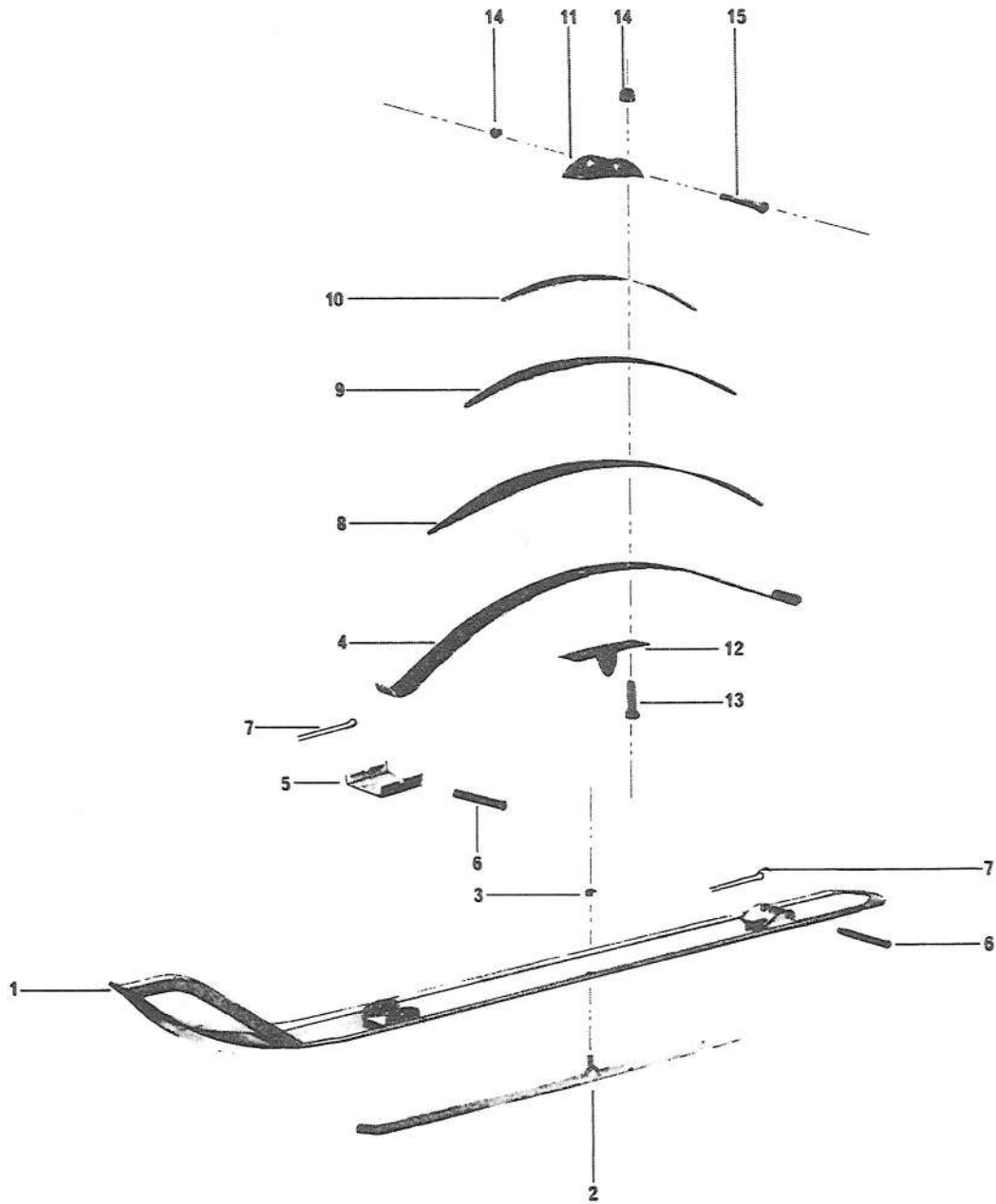
Faint, illegible markings or bleed-through in the bottom left corner.

SKI BOOSE

SECTION 5-1

SKI
FRAME
BODY
CARRY-BOOSE

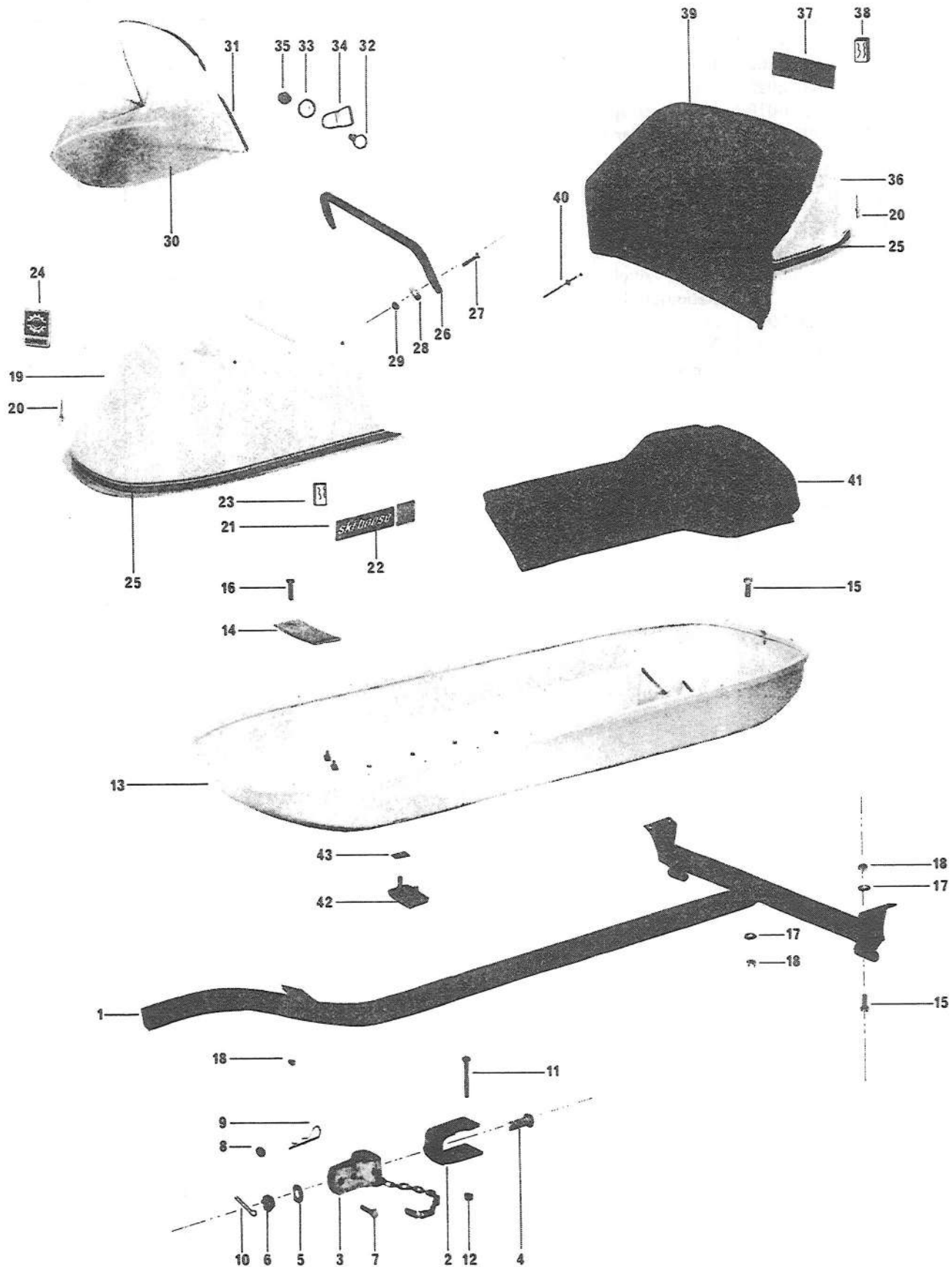




ITEM NO.	PART NO.	DESCRIPTION	QUANTITY	
			MK I	MK II
1	550 1019	Ski	2	2
2	505 0002	Runner Shoe	2	2
3	387 2022	Nut	2	2
4	505 0018	Main Leaf Spring	2	2
5	505 0033	Spring Slider Cushion	2	2
6	505 0034	Retainer Pin	4	4
7	371 0011	Cotter Pin	4	4
8	505 0014	Auxiliary Spring	2	2
9	505 0013	Auxiliary Spring	2	2
10	505 0015	Auxiliary Spring	2	2
11	505 0045	Spring Coupler	2	2
12	570 0502	Rebound Plate	2	2
13	300 8085	Screw	4	4
14	389 8036	Nut	6	6
15	309 8035	Screw	2	2



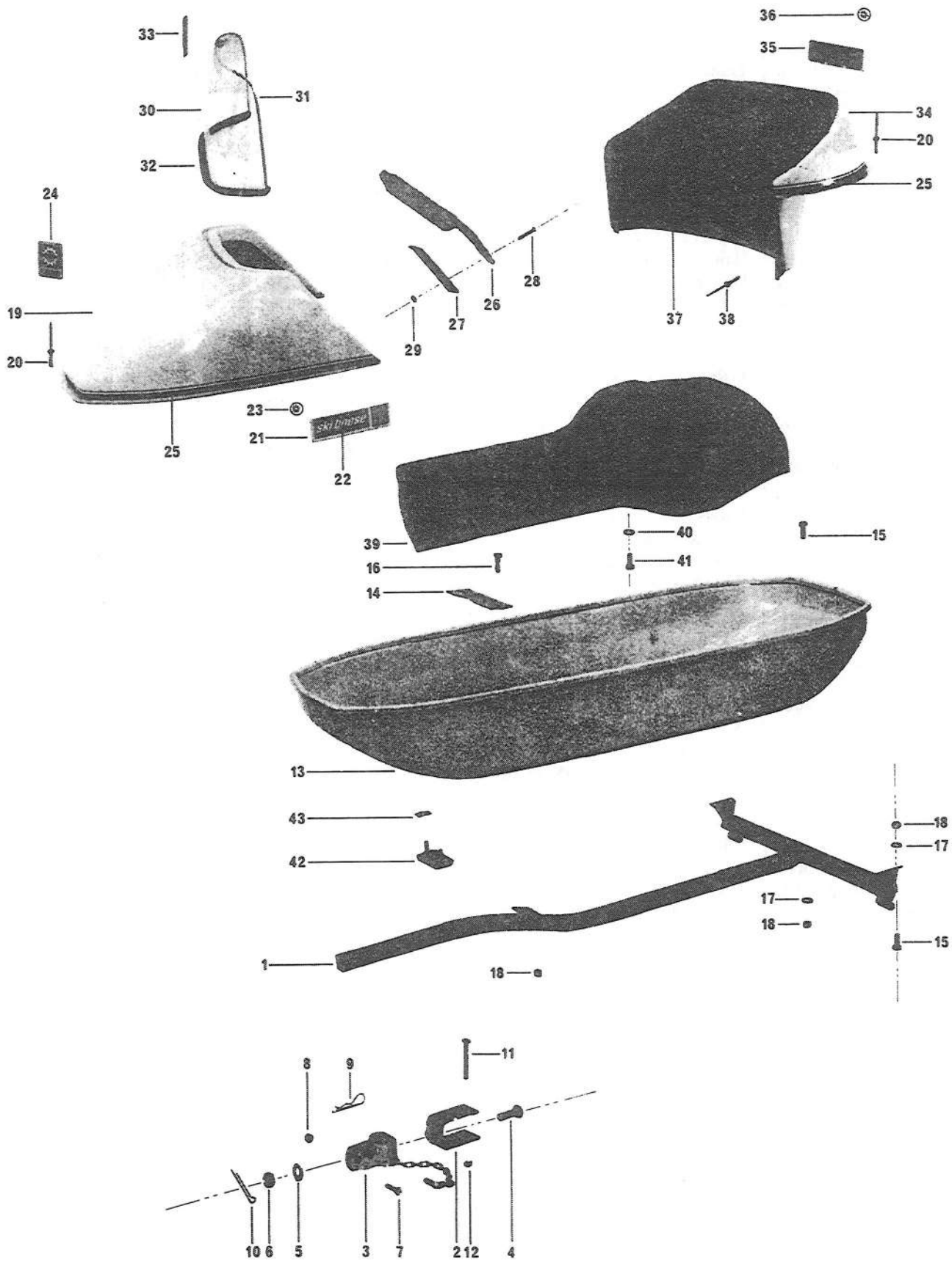
FRAME & BODY (MK I)



ITEM NO.	PART NO.	DESCRIPTION	QUANTITY
			MK I
1	518 0352	Frame	1
2	518 0355	Bracket	1
3	518 0350	Bracket	1
4	561 7034	Screw	1
5	518 0354	Washer	2
6	381 2028	Nut	1
7	300 1003	Screw	1
8	386 6019	Nut	1
9	414 0322	Hair Pin Cotter	1
10	371 0011	Cotter Pin	1
11	300 0008	Screw	2
12	386 6019	Nut	2
13	518 0351	Shell	1
14	518 0356	Plate	1
15	300 1041	Screw	6
16	300 1043	Screw	2
17	399 9007	Washer	6
18	389 8037	Nut	8
19	572 1745	Cab	1
20	390 4009	Rivets	22
21	517 0326	Plate & Reflector	2
22	414 0715	Identification Label	2
23	389 8043	Push Nut	6
24	414 0721	Bombardier Crest	1
25	414 0720	Stripe (Mult 12")	AR
26	581 5017	Handle Tube	1
27	327 3065	Screw	4
28	399 9008	Washer	4
29	386 6013	Nut	4
30	414 0585	Windshield	1
31	414 0480	Windshield Protector (Mult 12")	AR
32	360 8011	Carriage Bolt	9
33	399 9023	Washer	9
34	517 0239	Clip	2
35	386 9002	Nut	9
36	572 1746	Backrest	1
37	517 0360	Plate & Reflector	1
38	389 8043	Push Nut	2
39	414 0722	Backrest Pad	1
40	390 4020	Pop Rivet	16
41	414 0714	Seat	1
42	570 1804	Bumper Pad	2
43	389 8018	Speed Nut	4



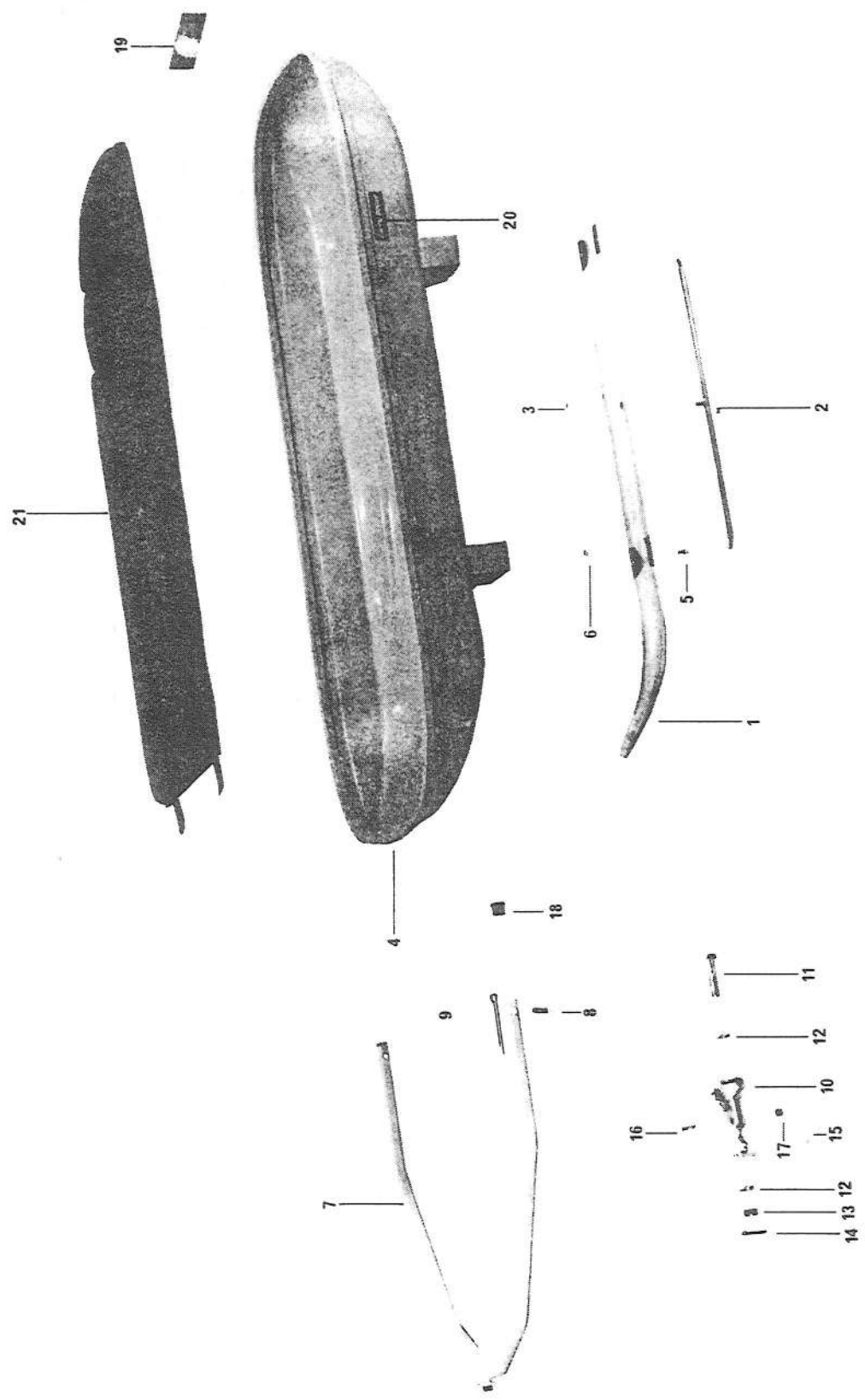
FRAME & BODY (MK II)



ITEM NO.	PART NO.	DESCRIPTION	QUANTITY MK II
1	518 0160	Frame	1
2	518 0355	Bracket	1
3	518 0350	Bracket	1
4	561 7034	Screw	1
5	518 0354	Washer	2
6	381 2028	Nut	1
7	300 1003	Screw	1
8	386 6019	Nut	1
9	414 0322	Hair Pin Cotter	1
10	371 0011	Cotter Pin	1
11	300 0008	Screw	2
12	386 6019	Nut	2
13	518 0353	Shell	1
14	518 0161	Plate	1
15	300 1041	Screw	6
16	300 1043	Screw	2
17	399 9007	Washer	6
18	389 8037	Nut	8
19	561 7039	Cab	1
20	390 4009	Rivets	22
21	517 0326	Plate & Reflector	2
22	414 0715	Identification Label	2
23	389 8043	Push Nut	6
24	414 0725	Bombardier Crest	1
25	414 0720	Stripe (Mult 12")	AR
26	581 5018	Handle Tube	1
27	517 0322	Plate	2
28	327 3065	Screw	4
29	386 6013	Nut	4
30	414 0254	Windshield	1
31	414 0480	Windshield Protector (Mult 12")	1
32	570 1720	Windshield Anchor Strip	1
33	517 0142	Windshield Anchor Tab	9
34	572 1748	Backrest	1
35	517 0360	Plate & Reflector	1
36	389 8043	Push Nut	2
37	414 0724	Backrest Pad	1
38	390 4020	Pop Rivet	16
39	414 0723	Seat	1
40	399 9015	Washer	4
41	300 5001	Screw	4
42	570 1804	Bumper Pad	2
43	389 8018	Speed Nut	4



CARRY-BOOSE



ITEM NO.	PART NO.	DESCRIPTION	QUANTITY
1	580 5022	Ski & Shoe Ass'y	2
2	505 0002	Runner Shoe	2
3	387 2022	Nut	2
4	518 0349	Shell	1
5	320 1100	Screw	8
6	387 2019	Nut	8
7	550 1023	Tow Bar	1
8	414 0693	Clevis Pin	2
9	371 0061	Cotter Pin	2
10	518 0350	Bracket	1
11	561 7033	Screw	1
12	518 0354	Washer	2
13	381 2028	Nut	1
14	371 0011	Cotter Pin	1
15	414 0322	Hair Pin	1
16	300 1003	Screw	1
17	386 6019	Nut	1
18	570 1728	End Cap	2
19	414 0696	Reflector Tape	1
20	414 0694	Identification Label	2
21	414 0695	Seat	1



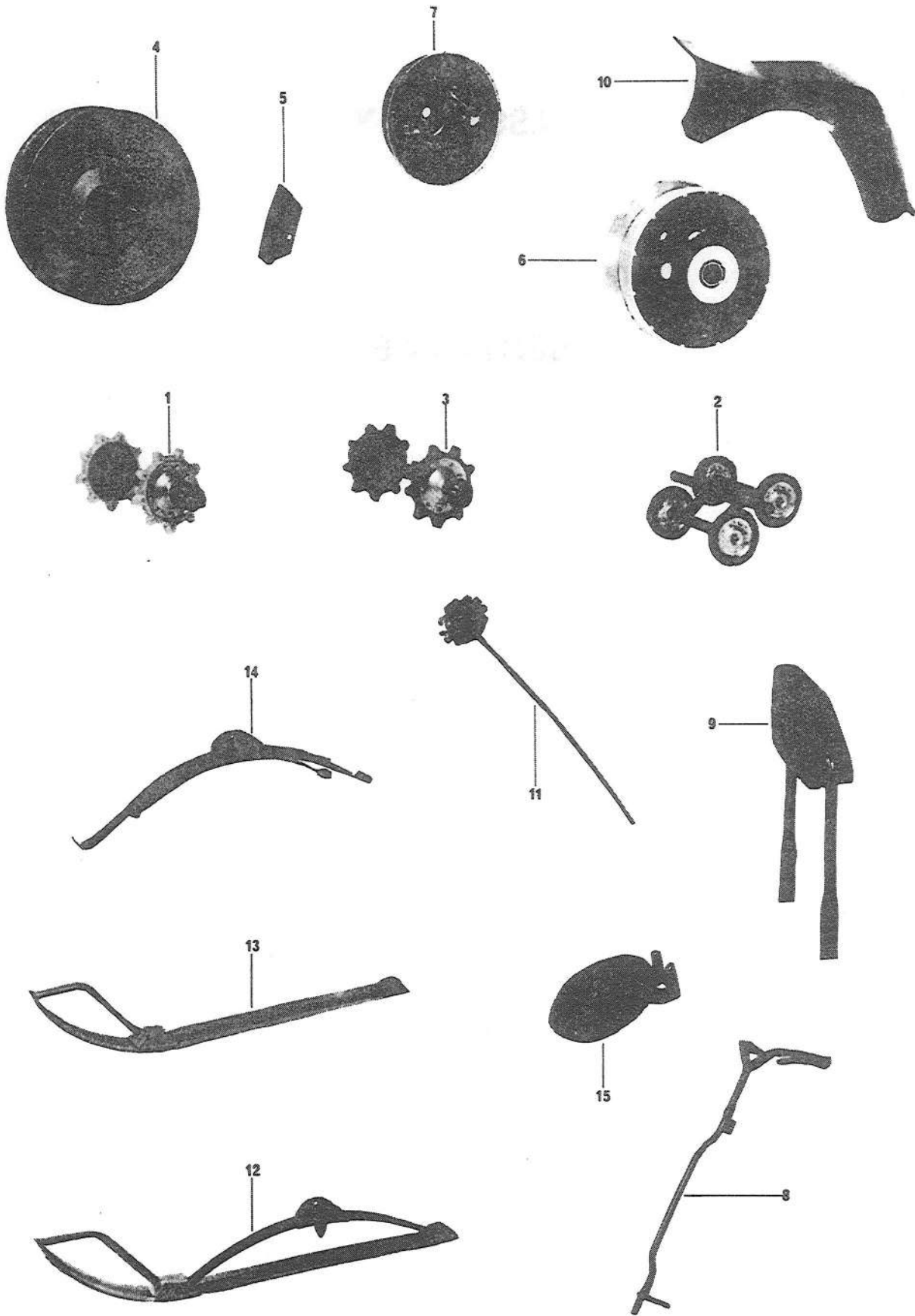


ASSEMBLY

SECTION 5-2

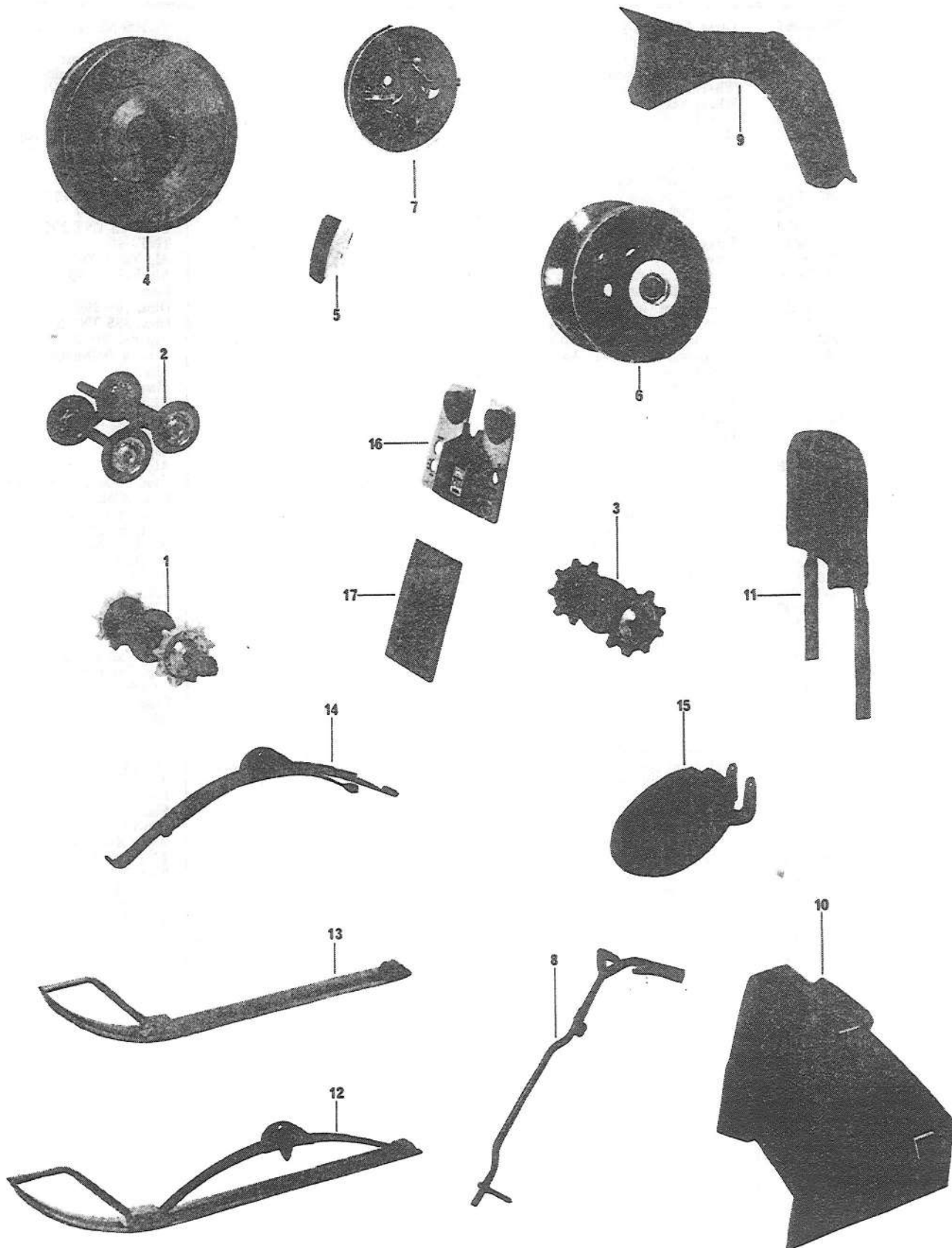


ASSEMBLY



ITEM NO.	PARTS NO.	DESCRIPTION	MODEL 15"
1	580-0267	Drive Axle Ass'y	OL300-335 TNT 15" Elan
1	580-1119	Drive Axle Ass'y	OL 399
1	580-3081	Drive Axle Ass'y	Alpine Valmont
2	580-1070	Wheel Ass'y (Spring 7/8 φ)	All Olm. Alp Valm. TNT 15"
2	580-1071	Wheel Ass'y (Spring 9/32 φ)	All Olm. TNT 15"
2	580-0404	Wheel Ass'y	Elan
2	580-0420	Wheel Ass'y	Elan
3	581-0229	Rear Hub Ass'y	All Olm. TNT 15" Alp.Val.
4	581-1060	Driven Pulley Ass'y	Elan
4	581-4001	Driven Pulley Ass'y	Olm TNT 15"
5	582-1012	Brake Shoe Ass'y	Elan
6	581-1072	Drive Pulley Ass'y	All Olm. TNT 15"
6	581-1073	Drive Pulley Ass'y	Olm. 300-399
6	581-0242	Drive Pulley Ass'y	Olm.335 TNT 292
6	581-0311	Drive Pulley Ass'y	TNT 340
6	581-3026	Drive Pulley Ass'y	Alp Valm. 399
6	581-1071	Drive Pulley Ass'y	Alp Valm. 640
7	582-1024	Centrifugal Governor Ass'y	Elan
7	582-1025	Centrifugal Governor Ass'y	Olm. 300-399 - 399E Elan
7	582-3009	Centrifugal Governor Ass'y	Olm. 335 TNT 292-340
7	582-0108	Centrifugal Governor Ass'y	Alp-Val 399-399E
8	580-0134	Handle Ass'y	Alp-Val 640-640E
8	580-0407	Handle Bar Ass'y	Alp-Val.
8	580-1130	Handle Bar Ass'y	Elan
8	580-0272	Handle Bar Ass'y	Ol.300-335-399
9	414-0759	Backrest Padded	TNT 15"
9	414-0757	Foam	Alp-Valm.
9	414-0758	Leatherette	Alp-Valm.
10	580-1131	Pulley Guard Ass'y	Alp-Valm.
10	580-1137	Pulley Guard Ass'y	Olm. 300-335 TNT 292 Alp-Val
10	580-1138	Pulley Guard Ass'y	Olm. 335E
11	581-1075	Fuel Tank Cap Ass'y	Olm. 399-399E
11	580-3028	Fuel Tank Cap Ass'y	All Olm. TNT 15"
12	580-1143	R.H. Ski Ass'y	Alp-Val-Elan
12	580-1144	L.H. Ski Ass'y	All Olym.
12	580-0296	R.H. Ski Ass'y	All Olym.
12	580-0297	L.H. Ski Ass'y	TNT 15"
12	580-0412	R.H. Ski Ass'y	TNT 15"
12	580-0413	L.H. Ski Ass'y	Elan
12	580-3092	Ski Ass'y	Elan
12	580-3100	Ski Ass'y	Alp. Val. 399-399E
13	581-1070	Ski Runner & Shoe Ass'y	Alp. Val. 640
13	581-0405	Ski Runner & Shoe Ass'y	All Olm. TNT 15"
13	581-3028	Ski Runner & Shoe Ass'y	Elan
14	582-1020	R.H. Leaf Spring Ass'y	Alp. Val.
14	582-1021	L.H. Leaf Spring Ass'y	All Olym.
14	582-0206	R.H. Leaf Spring Ass'y	All TNT 15"
14	582-0207	L.H. Leaf Spring Ass'y	All TNT 15"
14	581-0406	R.H. Leaf Spring Ass'y	Elan
14	581-0407	L.H. Leaf Spring Ass'y	Elan
14	582-3007	Leaf Spring Ass'y	Alp-Valm. 399-399E
14	582-3008	Leaf Spring Ass'y	Alp-Valm. 640E
	580-0294	Slide Ass'y	TNT 292-340
	581-0235	Front Runner Tube Ass'y	TNT 292-340
	581-0236	Cross Support Ass'y	TNT 292-340
	581-0237	Cross Support Ass'y	TNT 292-340
	581-0238	Rear Runner Tube Ass'y	TNT 292-340
15	581-1069	Filler Door Ass'y	All Olm.
16	581-5016	Hitch Bracket	Ski-Boose





ITEM NO.	PARTS NO.	DESCRIPTION	MODEL 18"
1	580-0279	Drive Axle Ass'y	N399-399E-335 TNT 440
1	580-0176	Drive Axle Ass'y	N640 TNT 640-775
2	580-0132	Wheel Ass'y (Spring 1/4 φ)	N399-399E-335
2	580-0133	Wheel Ass'y (Spring 9/32 φ)	N399-399E-335
2	580-0152	Wheel Ass'y (Spring 1/4 φ)	N640 TNT 18"
2	580-0153	Wheel Ass'y (Spring 9/32 φ)	N640 TNT 18"
3	581-0132	Rear Hub Ass'y	All N TNT 18"
4	581-1060	Driven Pulley Ass'y	N399-399E-335 TNT 440
4	581-0130	Driven Pulley Ass'y	N640 TNT 640-775
5	582-1012	Brake Shoe Ass'y	All N TNT 18"
6	581-1072	Drive Pulley Ass'y	N 399
6	581-3026	Drive Pulley Ass'y	N 640
6	581-1073	Drive Pulley Ass'y	S 335
6	581-0245	Drive Pulley Ass'y	TNT 440
6	581-0143	Drive Pulley Ass'y	TNT 640-775
7	582-1024	Centrifugal Governor Ass'y	N399
7	582-0108	Centrifugal Governor Ass'y	N 640
7	582-1025	Centrifugal Governor Ass'y	S 335
7	582-0211	Centrifugal Governor Ass'y	TNT 440
7	582-0210	Centrifugal Governor Ass'y	TNT 640-775
8	580-0134	Handle Ass'y	All N.
8	580-0284	Handle Bar Ass'y	All TNT 18"
9	580-1131	Pulley Guard Ass'y	N399-335 TNT 440
9	580-1138	Pulley Guard Ass'y	N 640 TNT 640-775
10	580-0199	Backrest Ass'y	N 399
10	580-0501	Backrest Ass'y	N 399E-640E
11	580-0198	Center Backrest Ass'y	S 335
12	580-0506	R.H. Ski Ass'y	All Nor.
12	580-0507	L.H. Ski Ass'y	All Nor.
12	581-0233	R.H. Ski Ass'y	TNT 440
12	581-0234	L.H. Ski Ass'y	TNT 440
12	581-0304	R.H. Ski Ass'y	TNT 640-775
12	581-0305	L.H. Ski Ass'y	TNT 640-775
13	581-1070	Ski Runner & Shoe Ass'y	All N TNT
14	582-0105	R.H. Leaf Spring Ass'y	N399-399E-640-S335
14	582-0106	L.H. Leaf Spring Ass'y	N399-399E-640-S335
14	582-0208	R.H. Leaf Spring Ass'y	TNT 440
14	582-0209	L.H. Leaf Spring Ass'y	TNT 440
14	582-0301	R.H. Leaf Spring Ass'y	TNT 640-775
14	582-0302	L.H. Leaf Spring Ass'y	TNT 640-775
	580-0293	Slide Ass'y	TNT 440-640-775
	581-0239	Runner Tube Ass'y	TNT 440-640-775
	581-0240	Cross Support Ass'y	TNT 440-640-775
	581-0241	Cross Support Ass'y	TNT 440-640-775
	581-0238	Rear Runner Tube Ass'y	TNT 440-640-775
15	581-0137	Filler Door Ass'y	N399-399E
15	581-0140	Filler Door Ass'y	N 640E
15	581-0141	Filler Door Ass'y	S 335
16	581-0134	Upper Access Cover Ass'y	N 399
16	581-0136	Upper Access Cover Ass'y	N 399E
16	581-0135	Lower Access Cover Ass'y	N 399-399E
17	581-5016	Hitch Bracket	Ski-Boose



ENGINE ASSEMBLY

**LIST OF ROTAX ENGINES "LESS MUFFLER-CARBURATOR
& ENGINE BRACKET ASS'Y" THAT FIT ALL SKIDOO VEHICLES
UP TO 1971, EXCEPT BLIZZARD AND TNT 775 MODELS**

PART NO.	TYPE	MODEL	YEAR
400 0001	165	Chalet	All
400 1001	250	Olympique	64-65-66-67-68
400 1002	247	Elan	71
400 1003	247E	Elan w/Starter	71
400 1004	247E	Elan w/Out Starter	71
400 2003	290	Olympique 12/3 SS	69
400 2004	300	Olympique 12/3	66-67-68-69-70
		Alpine 300	66-67-68
400 2005	290	TNT 292	70
400 2008	302	Olympique 300	70-71
400 2009	292	TNT 292	71
400 2101	320	Olympique 320	69
400 2102	320E	Olympique 320E	69
400 2103	340	Olympique 320SS	69
400 2104	335	Olympique 335	70
		Skandic	70
400 2105	340	TNT 340	70
400 2107	337	Olympique 335	71
		Skandic	71
400 2108	342	TNT 340	71
400 3002	370	Olympique 370	67-68-69
		Alpine 370	67-68-69
400 3101	371	Nordic 371	69
400 3102	371E	Nordic 371E	69
400 3104	401/401E	Olympique 399-399E	70-71
		Nordic 399-399E	70-71
		Alpine 399-399E	70-71
400 3105	400	TNT 399	69-70
400 3109	435	TNT 440	71
400 5001	300E	Olympique 300E	67-68
400 5002	335E	Olympique 335E	70
400 5003	337E	Olympique 335E w/Starter	71
400 5004	337E	Olympique 335E w/out Starter	71
400 6002	370E	Olympique 370E	68-69
		Alpine 370E	68-69
400 7004	680	TNT 680	69
400 7005	640E	Alpine 640E	69-70
400 7007	641	TNT 640	70
400 7011	640E	Nordic 640E	70-71
		Alpine - Valmont	71
400 7012	641	TNT 640	71

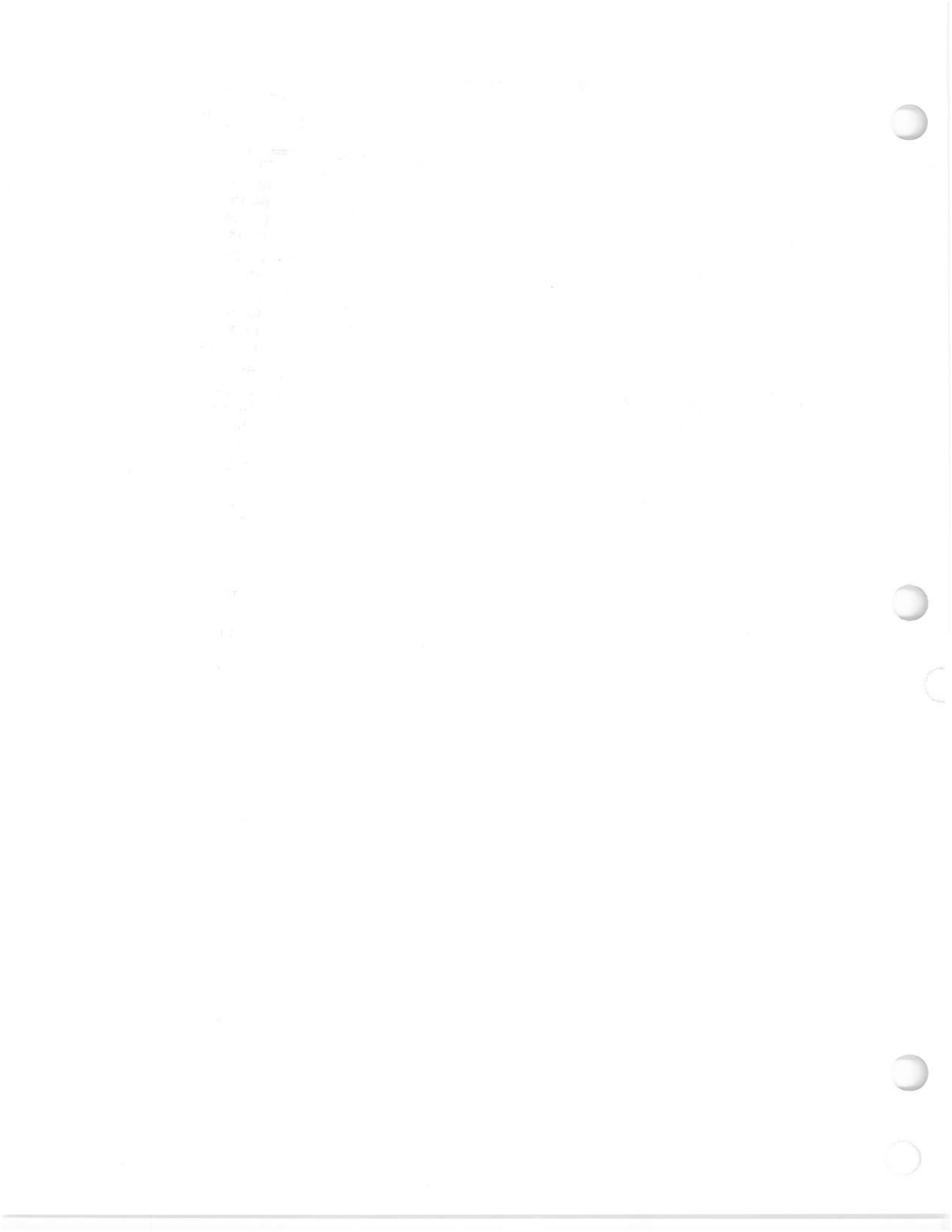


ASSEMBLY BLIZZARD

1971

ITEM NO.	PARTS NO.	DESCRIPTION	MODEL 15"-16½"
1	580-0332	Drive Axle Ass'y	BL 15"
	580-0333	Drive Axle Ass'y (Steel Track)	BL 15"
	580-0370	Drive Axle Ass'y (Steel Track)	BL 16½"
	580-0371	Drive Axle Ass'y	BL 16½"
2	580-0334	Slide Ass'y	BL 15"
	580-0369	Slide Ass'y	BL 16½"
	581-0317	Idler (Rear Hub) Ass'y	BL 15"
	581-0319	Wheel Ass'y	BL 15"
3	581-0329	Rear Hub Ass'y	BL 15"
	581-0336	Rear Hub Ass'y	BL 16½"
4	580-0353	Driven Pulley Ass'y	BL 15"-16½"
5	581-0243	Drive Pulley Ass'y	BL 15"
	581-0313	Drive Pulley Ass'y	BL 16½"
6	581-0352	Ski Ass'y	BL 15"-16½"
7	581-0314	Ski Runner & Shoe Ass'y	BL 15"-16½"
8	581-0330	Leaf Spring Ass'y	BL 15"-16½"
9	580-0378	Pulley Guard Ass'y	B 291-336
9	580-0337	Pulley Guard Ass'y	B 16½"-BL 397-437
10	580-0359	Handle Ass'y	BL 16½"
	580-0335	Handle Ass'y	BL 15"
11	581-0337	Filler Door Ass'y	BL 15"
12	581-1075	Fuel Tank Cap Ass'y	BL 15"
13	580-0351	Upper Column Ass'y	BL 15"
	580-0366	Upper Column Ass'y	BL 16½"
14	581-0321	Shorting Button Ass'y	BL 15"
	581-0331	Shorting Button Ass'y	BL 16½"
15	580-0350	Cross Shaft Ass'y	BL 15"
	580-0374	Cross Shaft Ass'y	BL 16½"
16	529-0008	Bushing Tool (To remove Drive Puller)	BL 15-16½"
17	529-0009	Adjuster Tool (To hold outer & inner half together)	BL 15-16½"





ACCESSORIES

SECTION 5-3

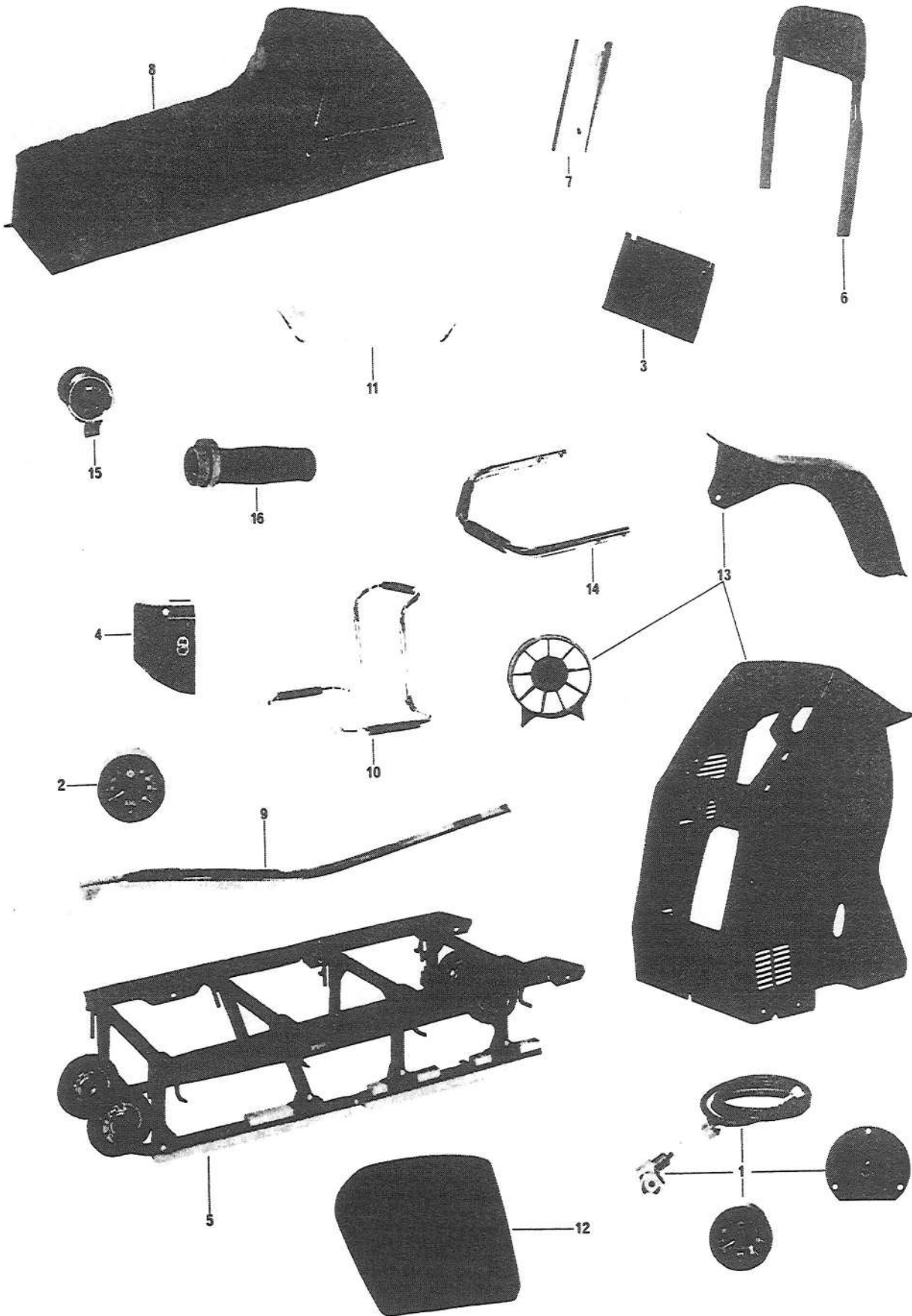
ACCESSORIES DRIVE SPROCKET



Cat. No. 480 1016.



March 1970.
SECTION 5-3 - PAGE 1



ACCESSORIES

ITEM NO.	PARTS NO.	DESCRIPTION	YEAR MODEL
1	861-7017	Speedometer Kit	69-70-61 All Model
1	414-0705	Speedometer Kit w/out End Bearing Housing	71 All Model
1	861-7007	Speedo Supplement Kit - c/o Bracket - Moulding - Screw & Nut	69-72 All Model
2	861-7016	Tachometer Kit	71 All Model
2	861-7008	Tachometer Kit	69-70 All Model
2	861-7009	Tacho Supplement Kit	69-70 All Model
2	414-0709	Tachometer	71 All Model
2	414-0498	Tachometer	69-70 All Model
3	861-7012	Snow Guard Kit 15"	69-70 All Model Blizzard 246
3	861-7013	Snow Guard Kit 18"	69-70 All Model
3	570-1784	Snow Guard Kit 15"	71 All Model
3	570-1769	Snow Guard Kit	71 Blizzard 15"
3	570-1788	Snow Guard Kit 18"	71 All Model
3	570-1770	Snow Guard Kit	71 Blizzard 16½"
4	861-7015	Air Deflector Kit	69-70-71 2 Cyl
5	580-0258	Slider Kit 15"	70 All Model
5	580-0259	Slider Kit 18"	70 All Model
5	580-0294	Slider Kit 15"	71 All Model
5	580-0293	Slider Kit 18"	71 All Model
6	414-0058	Center Or Rear Backrest 15"	All Model
6	414-0981	Center Or Rear Backrest 15" (Chromed)	All Model
6	580-0144	Center Or Rear Backrest 18"	All Model
7	518-0003	R.H. Backrest Bracket (Center)	All Model
7	518-0004	L.H. Backrest Bracket (Center)	All Model
7	517-0412	Backrest Bracket (Rear)	All Model
8	580-0245	Seat With Fuel Tank 18"	All Model
9	861-7001	Front Bumper Kit	68-69-70 Olympique
9	861-7020	Front Bumper Kit	Elan 71
10	861-7003	Rear Bumper Kit	68-69-70 Olympique
10	861-7010	Rear Bumper Kit	69-70 TNT 15"
11	580-1204	High Profile Side Handle	All Model
11	414-0639	Side Handle	All Model
12	861-7021	Meter Casing (Speedo & Tacho)	71 All Model
13	861-7018	Console Adapting Kit	69 Nordic
14	580-0503	Front Handle	70-71N - TNT18"
14	580-1129	Front Handle	71-OL. TNT15"
15	414-0965	Temperature Gauge (Spark Plug W)	71 All Model
15	414-0966	Temperature Gauge (Spark Plug M)	71 All Model
16	419-0001	Yellow Speed Control Grip (2)	All Model
16	419-0002	Black Speed Control Grip (2)	All Model
17	402-4260	Spark Plug M 370-T-16 (Methyl Hydrate)	BL 15"-16½"
17	402-4261	Spark Plug M 340-T-16 (Methyl Hydrate)	BL 15"-16½"
18	517-0382	Hitch Plate Kit	Skandic



DRIVE SPROCKET

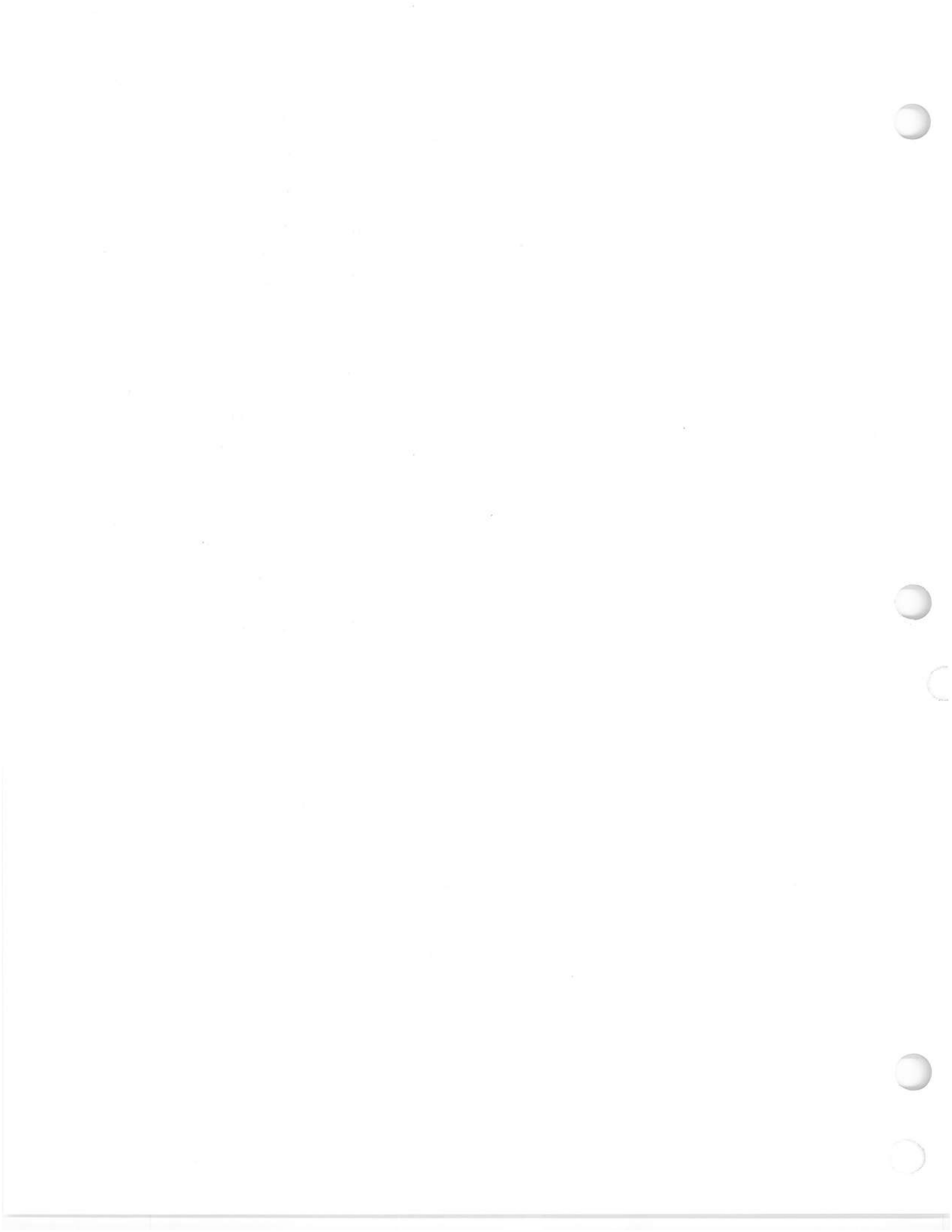
ITEM NO.	TEETH	SHAFT	PITCH	SPLINE	STANDARD ON	OPTIONAL ON
504-0007	9 Single	3/4	1/2	8	O-A60 to 66 O165-250-300/67 250/68	O-300/66 370/67 300-370/68 300-320-320 SS/69 292-300-335/70
504-0008	10 "	"	"	"	O300/66 370/67 300/68 300/69 292-300/70 TNT292/70 -Elan 71	O-A 64-65-66 O165-250-300/67 250-370/68 320-320 SS/69 335/70
504-0009	11 "	"	"	"	O370/68 320-320 SS/69 335/70	O-A 64-65-66 O165-250-300-370/67 250-300/68 300/69 292-300/70
504-0024	12 "	"	"	"		O-A 64-65-66 O165-250-300-370/67 250-300-370/68 300-320-320SS/69 292-300-335/70
504-0029	13 "	"	"	"		O-A 64-65-66 O165-250-300-370/67 250-300-370/68 300-320-320 SS/69 292-300-335/70
504-0010	14 "	"	"	"		O-A 64-65-66 O165-250-300-370/67 250-300-370/68 300-320-320 SS/69 292-300-335/70
504-0035	15 "	"	"	"		O-A 64-65-66 O165-250-300-370/67 250-300-370/68 300-320-320 SS/69 292-300-335/70
504-0030	16 "	"	"	"		O-A 64-65-66 O165-250-300-370/67 250-300-370/68 300-320-320 SS/69 292-300-335/70
504-0031	17 "	"	"	"		O-A 64-65-66 O165-250-300-370/67 250-300-370/68 300-320-320 SS/69 292-300-335/70
504-0102	12 Double	3/4	3/8	8		O370-N371-TNT399 (15")/69 O399-N399-TNT340-399-B291-340/70 Skandic 335/71
504-0090	13 "	"	"	"		O370-N371-TNT399 (15")/69 O399-N399-TNT340-399-B292-340/70
504-0091	14 "	"	"	"	Blizzard 292	O370-N371-TNT399 (15")/69 O399-N399-TNT340-399-B340/70
504-0044	15 "	"	"	"	O370-N371/69 B340/70 O300-335-TNT292/71	TNT399 (15") 69 O399-N399 TNT340-399/70-B292/70
504-0061	16 "	"	"	"	TNT399 (15")/69 O399-N399 TNT340-399/70 O399 TNT340-N399-399E TNT440/71	O370-N371/69 B291-340/70
504-0062	17 "	"	"	"		O370-N371-TNT399 (15")/69 O399-N399-TNT340-399-B292-340/70
504-0063	18 "	"	"	"		O370-N371-TNT399 (15")/69 O399-N399-TNT340-399-B292-340/70
504-0064	19 "	"	"	"		O370-N371-TNT399 (15")/69 O399-N399-TNT340-399-B292-340/70
504-0065	20 "	"	"	"		O370-N371-TNT399 (15")/69 O399-N399-TNT340-399-B292-340/70
504-0092	24 "	"	"	"		O370-N371-TNT399 (15")/69 O399-N399-TNT340-399-B292-340/70
504-0093	25 "	"	"	"		O370-N371-TNT399 (15")/69 O399-N399-TNT340-399-B292-340/70
504-0075	26 "	"	"	"		O370-N371-TNT399 (15")/69 O399-N399-TNT340-399-B292-340/70
504-0076	27 "	"	"	"		O370-N371-TNT399 (15")/69 O399-N399-TNT340-399-B292-340/70



DRIVE SPROCKET

ITEM NO.	TEETH	SHAFT	PITCH	SPLINE	STANDARD ON	OPTIONAL ON
504-0128	13 Double	1	3/8	15		TNT399 (18")-669/69-N640-TNT640-775/70 B436-636-776/70
504-0127	14 "	"	"	"		TNT399 (18") 669/69-N640-TNT640-775/70 B436-636-776/70
504-0124	15 "	"	"	"		TNT399 (18")-669/69-N640-TNT640-775/70 B436-636-776/70
504-0106	16 "	"	"	"	B436/70	TNT399(18")-669/69-N640-TNT640-775/70 B636-776/70
504-0089	17 "	"	"	"	TNT399(18")/69	TNT669/69-TNT640-775-N640/70 B436-636-776/70
504-0085	18 "	"	"	"		TNT399(18")-669/69-N640-TNT640-775/70 B436-636-776/70
504-0082	19 "	"	"	"		TNT399(18")-669/69-N640-TNT640-775/70 B436-636-776/70
504-0083	20 "	"	"	"	N640-TNT640-775-B636/70 N640-TNT640/71	TNT399(18")-669/69-B436-776/70
504-0084	21 "	"	"	"		TNT399(18")-669/69-N640-TNT640-775/70 B436-636-776/70
504-0059	22 "	"	"	"	TNT669/69-B776/70-TNT775/71	TNT399(18")/69-N640-TNT640-775/70 B436-636-776/70
504-0067	23 "	"	"	"		TNT399(18")-669/69-N640-TNT640-775/70 B436-636-776/70
504-0068	24 "	"	"	"		TNT399(18")-669/69-N640-TNT640-775/70 B436-636-776/70
504-0069	25 "	"	"	"		TNT399(18")-669/69-N640-TNT640-775/70 B436-636-776/70
504-0070	26 "	"	"	"		TNT399(18")-669/69-N640-TNT640-775/70 B436-636-776/70
504-0011	10 "	1	1/2	15		A300-370/67 300-370/68 370-640/69
504-0032	11 "	"	"	"	A300-370/67	A300-370/68 370-640/69
504-0028	12 "	"	"	"	A300/68	A300-370/67 370/68 370-640/69
504-0027	13 "	"	"	"	A370/68 370-640/69	A300-370/67 300/68
504-0137	16 Triple	1	3/8	15		All Blizzard 71
504-0138	17 "	"	"	"		All Blizzard 71
504-0139	18 "	"	"	"		Blizzard 291-336/71
504-0140	19 "	"	"	"		Blizzard 291-397-437-636/71
504-0118	20 "	"	"	"		Blizzard 336/71
504-0119	21 "	"	"	"		Blizzard 397-437-636/71
504-0120	22 "	"	"	"		Blizzard 636-797/71
504-0121	23 "	"	"	"		All Blizzard 71
504-0122	24 "	"	"	"		Blizzard 797/71
504-0141	25 "	"	"	"		All Blizzard 71
504-0144	26 "	"	"	"		All Blizzard 71
504-0145	27 "	"	"	"		All Blizzard 71
504-0146	28 "	"	"	"		All Blizzard 71
504-0147	29 "	"	"	"		All Blizzard 71
504-0148	30 "	"	"	"		All Blizzard 71
504-0123	31 "	"	"	"		All Blizzard 71



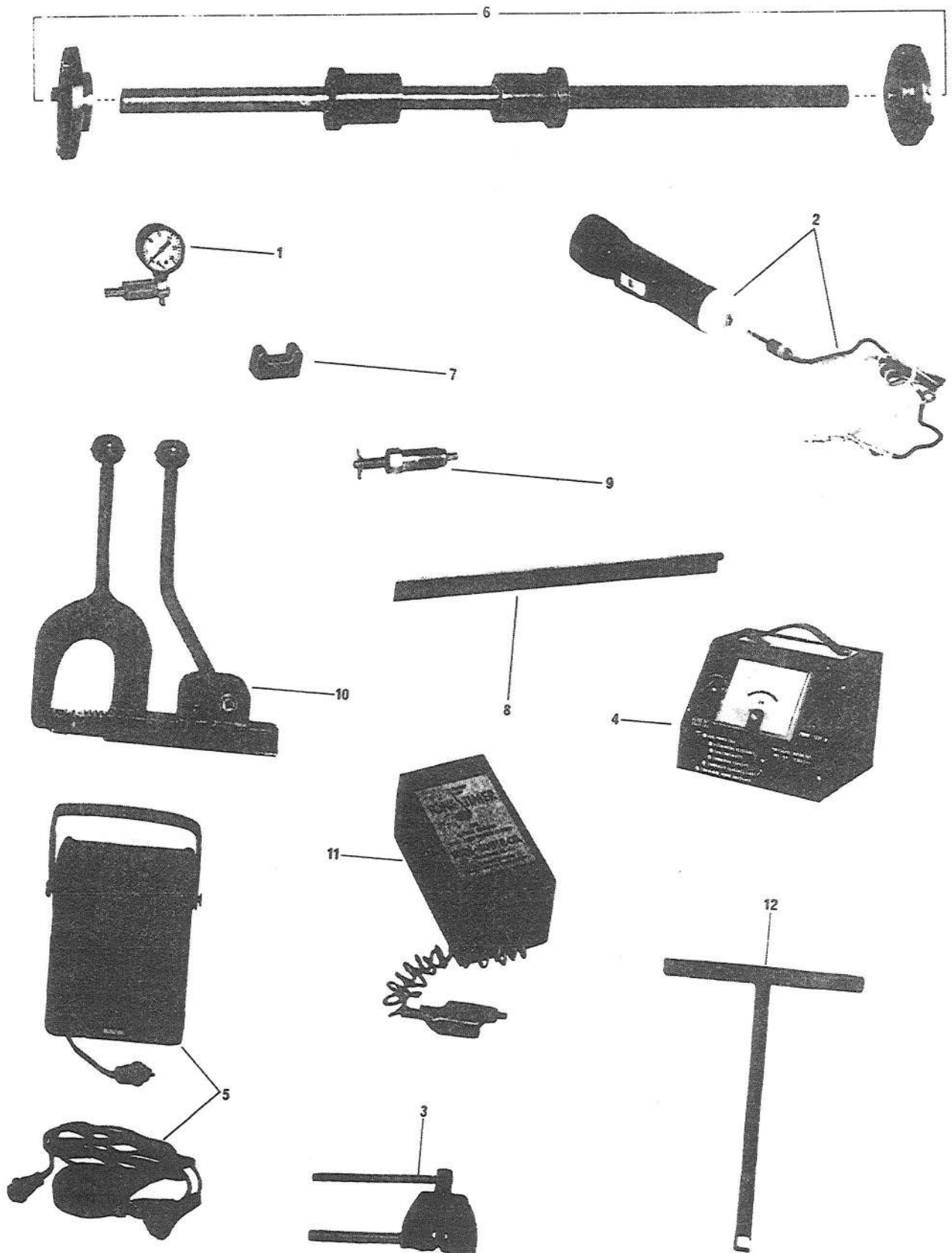


TOOLS

SECTION 5-4



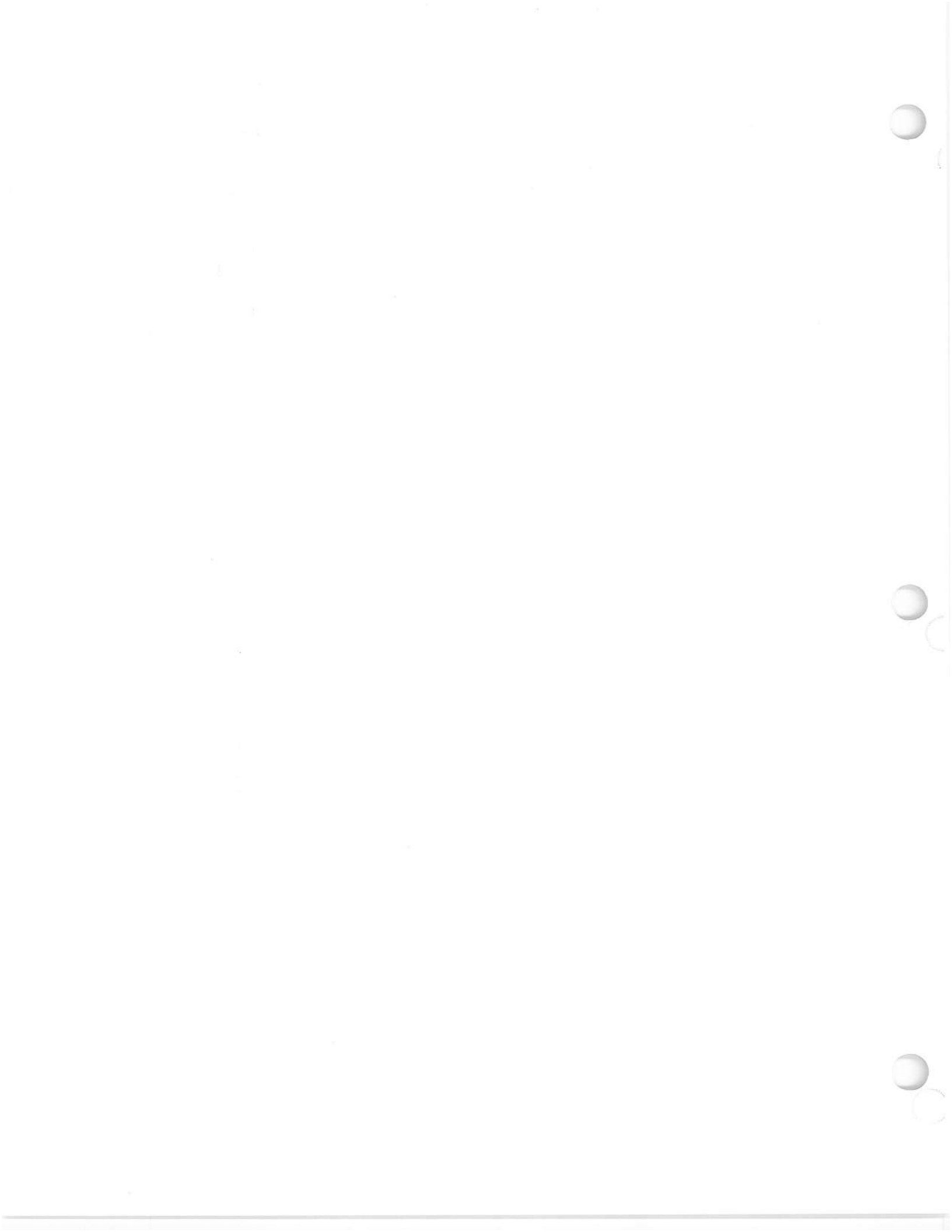
TOOLS



TOOLS

ITEM NO.	PART NO.	DESCRIPTION	YEAR & MODEL
1	404-0163	Carburator Leak Detector	All
2	414-0122	Circuit Tester (Flashlight Type)	All
3	414-0148	Chain Breaking Tool (All Pitch)	All
4	414-0192	Magnito Ignition Analyser (Merco-Tronic)	All
5	414-0308	Merco-Tronic Tachometer	All
6	529-0001	Bearing Housing Tool (To Adjust End Bearing Housing)	Alpine
7	529-0003	Insert Block Tool	All
8	529-0005	Adjuster Bar (To Adjust Pulley)	All
9	402-8016	Timing Gauge 155 MM	All
10	414-0678	Clip-O-Matic (Tool To Ass. Track Cleat)	All
11	414-0990	Tone Timer	All
12	529-0006	Rear Hub Spring Tool	All





SECTION 6

6-1 MISCELLANEOUS

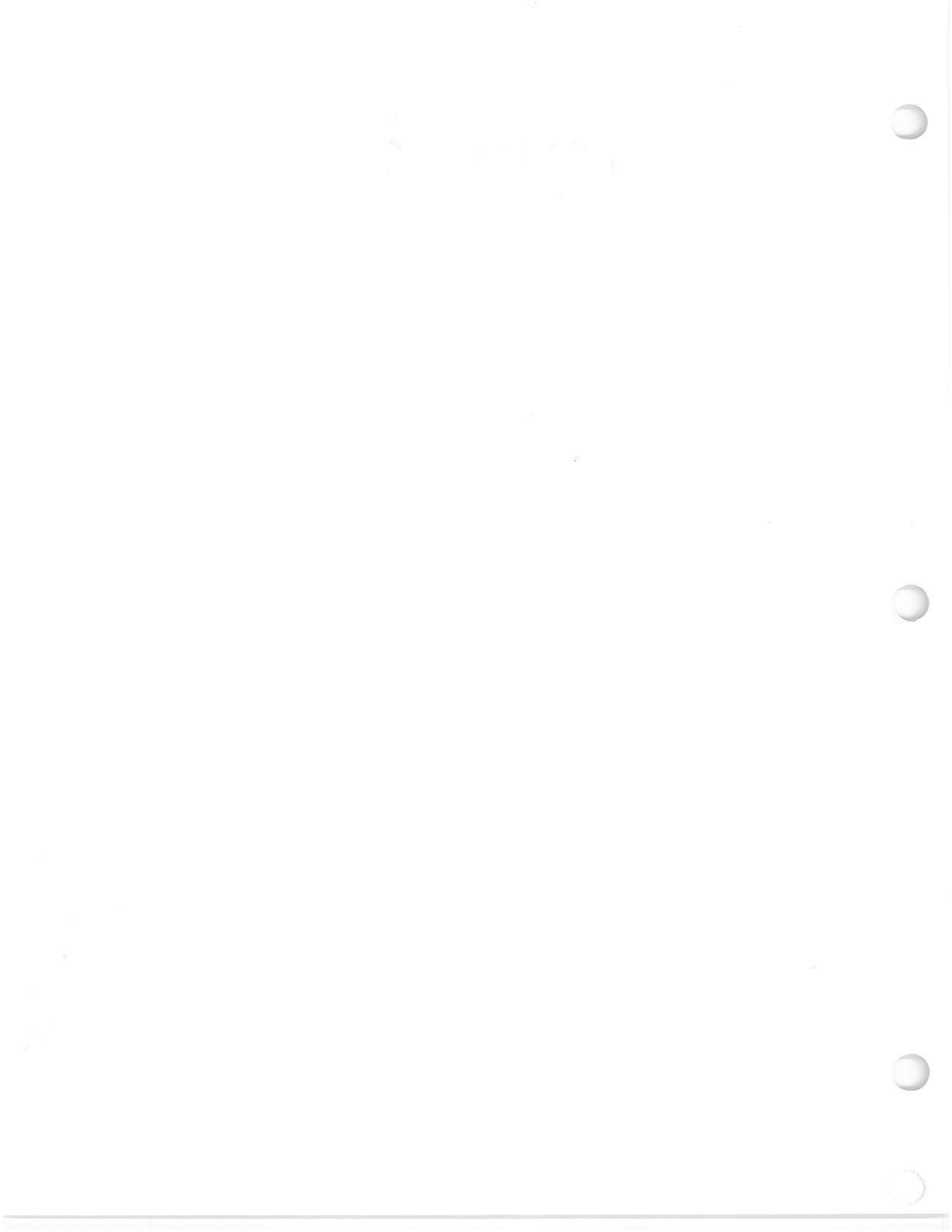


Cat. No. 489 1016.



March 1970.

020-1020



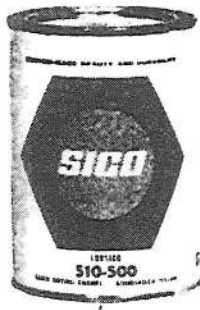
MISCELLANEOUS

SECTION 6-1





1



2



3



4



5



6



7



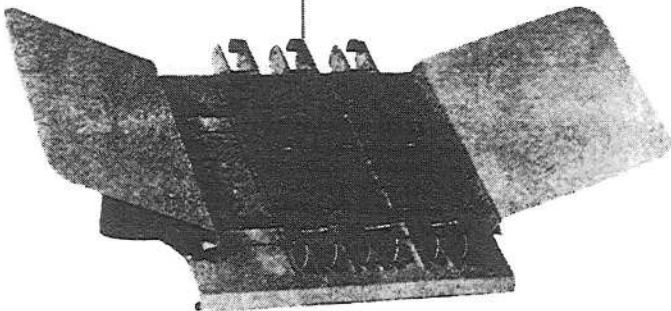
8



9



10



12



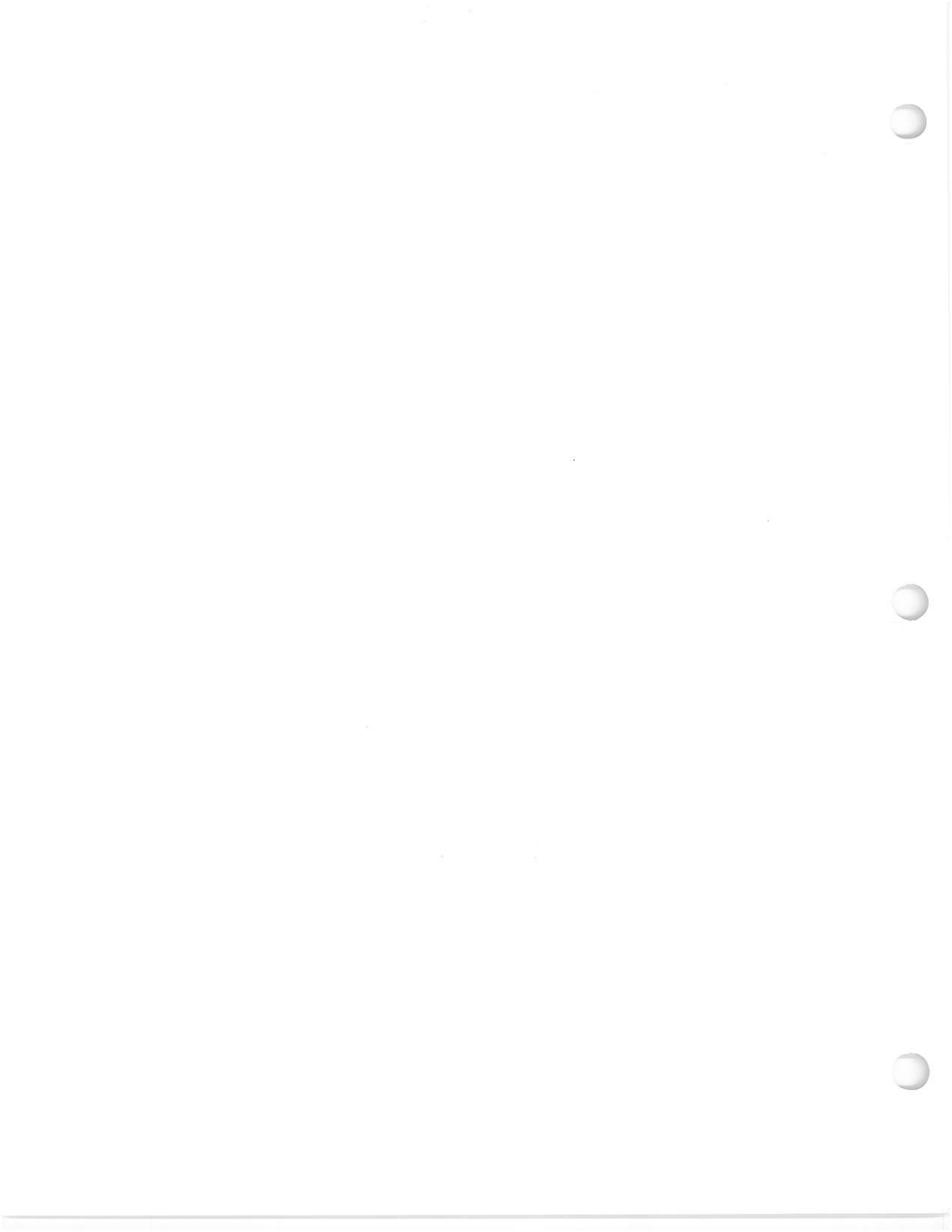
11

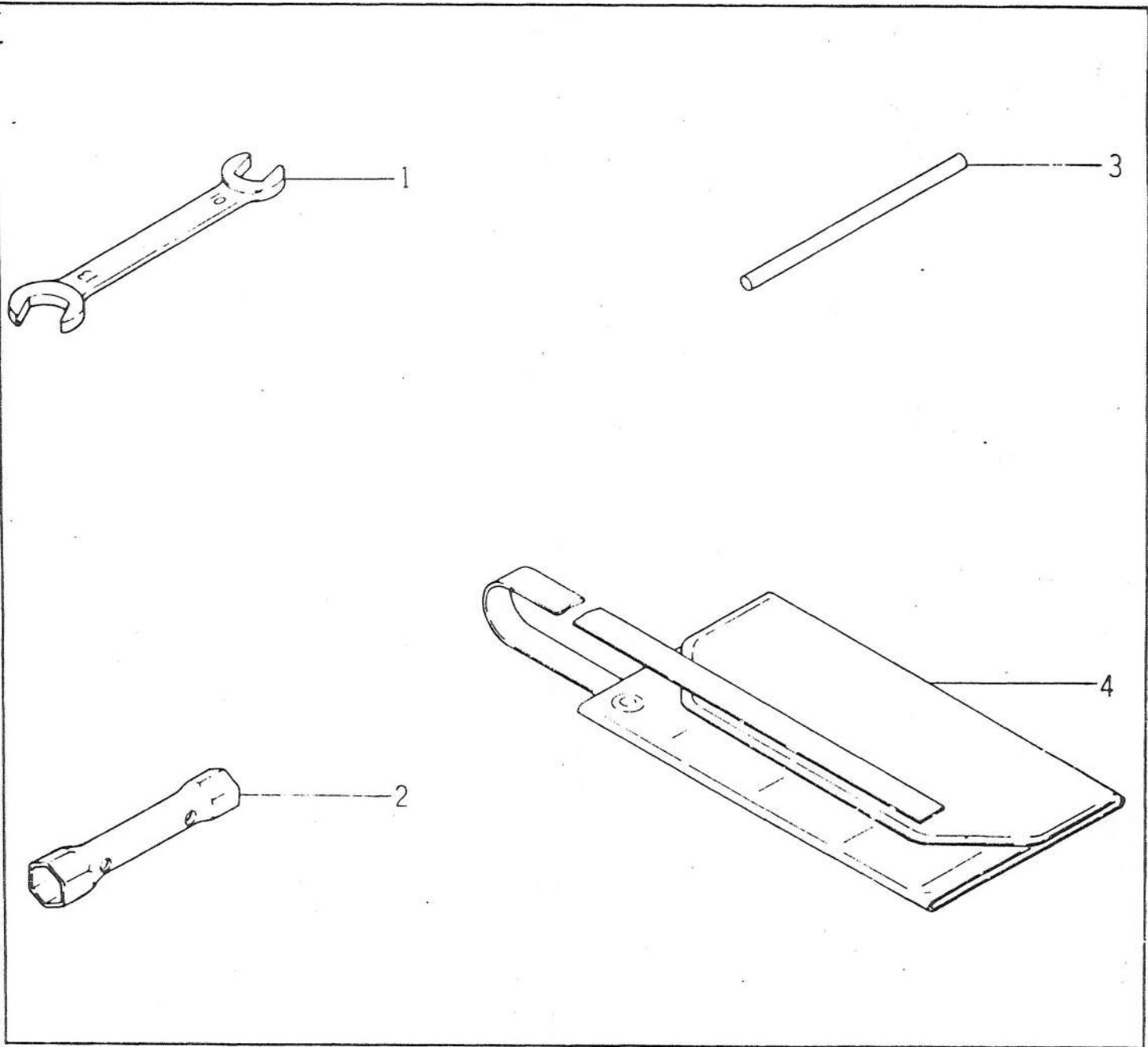


MISCELLANEOUS

ITEM NO.	PART NO.	DESCRIPTION	YEAR & MODEL
1	402-9015	Crankcase Adhesive Glue	All 2 Cyl
2	413-4001	Yellow Paint - Per Quart	All Up to 70
	413-4009	Yellow Paint - Per Quart	All 71
3	413-4005	Yellow Paint - Spray-16 oz.	All Up to 70
	413-4008	Yellow Paint - Spray-16 oz.	All 71
4	413-4007	Black Paint - Spray Semi-Gloss-14 oz.	TNT69-N70-BL71
	413-4010	Black Paint - Spray - 16 oz.	All 71
5	413-4006	Black Paint - Semi-Gloss-Per Quart	TNT69-N70-BL71
	413-4011	Black Paint - Per Quart	All 71
6	413-7010	Anti-Seize Lubricant Lock Tite-12 oz. (Spray Can) To Seal the Ring Gear on the Crankshaft	2 Cyl Electric
7	413-8001	Chain Case Oil - 8 oz. Can	All
8	413-8005	Ski-Doo Oil (Imperial (Quart-Canada)	All
	413-8004	Ski-Doo Oil (1 Quart U.S.A.)	All
9	413-9007	Metal Protector L.P.S. Spray No3-16 oz. Canadian	All
	413-9008	Metal Protector L.P.S. Spray No3-16oz. U.S.A.	All
	413-9012	Metal Protector S.F. Lawraison Spray-12 oz. U.S.A.	All
	413-9014	Metal Protector L.P.S. No1 Spray-16 oz. Canadian	All
10	861-7019	Plastic Repair Kit	All
11	413-8006	Lube Kit	All
12	484-0027	Metallic Stank For Catalogues	All
	484-0028	Section For Stand	
	413-8007	Clutch Lubricant - 4 oz. Pressure Tube	All







ITEM	NUMBER	DESCRIPTION	QTY	ITEM	NUMBER	DESCRIPTION	QTY
1	801302	SPANNER	1		801301	GASKET KIT (340 T)	1
2	801303	BOX SPANNER	1		801301	GASKET KIT (440 T)	1
3	801304	BAR	1				
4	801305	TOOL BAG	1				
	801306	TOOL KIT	1				
	801311	GASKET KIT (250 M)	1				

