

mx-2

125cc

SERIAL NUMBERS

125cc 5844 000001 to 5844 002000

175cc

SERIAL NUMBERS

175cc 5854 000001 to 5854 001500

250cc

SERIAL NUMBERS

250cc 5864 000001 to 5864 004000



can-am

Parts Catalog

'75



*can-am**
motorcycles by bombardier

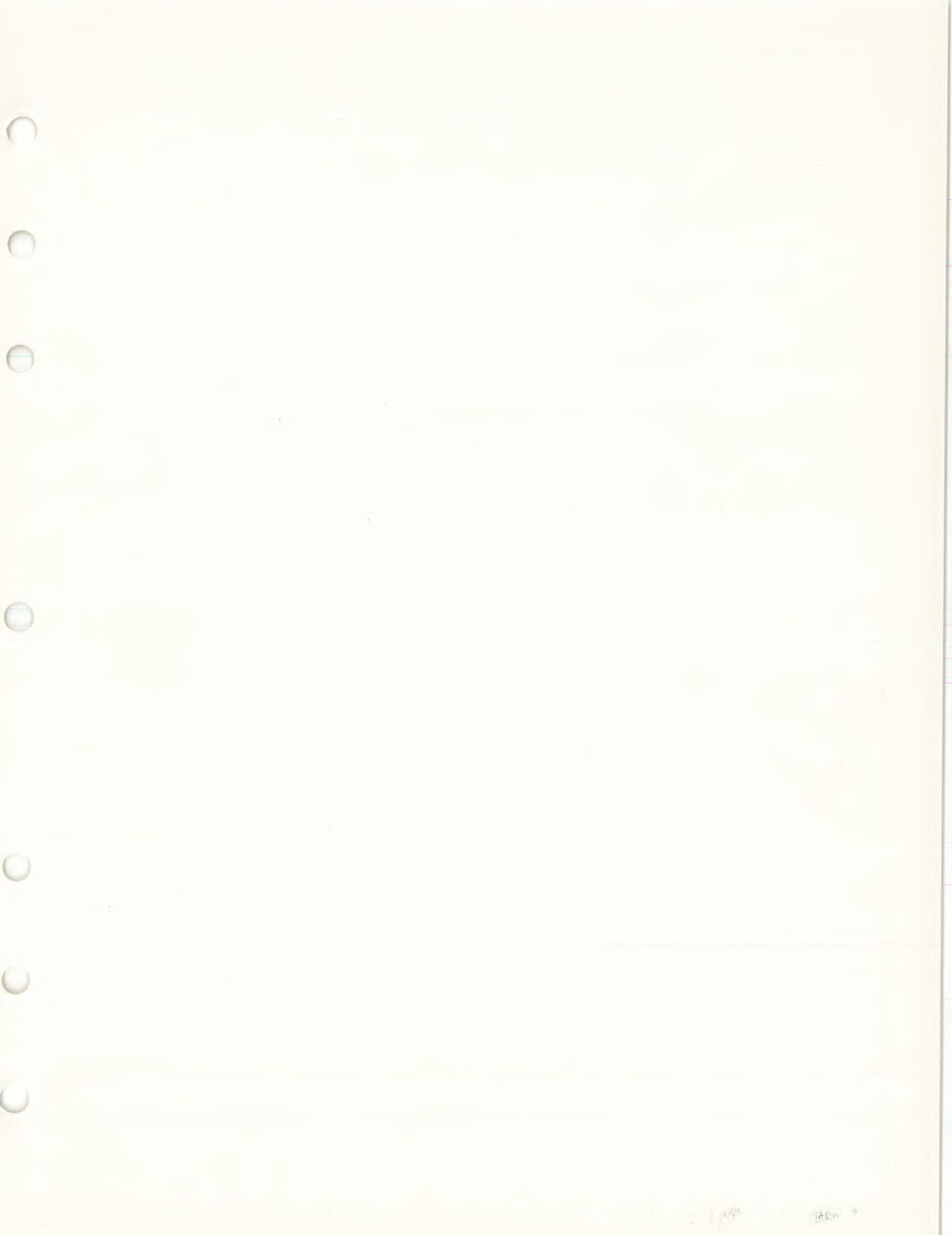


Table of contents

ENGINE.....	SECTION 1
Crankcase	
Crankshaft, cylinder, piston	
Magneto, clutch and oil pump covers	
GEAR BOX.....	SECTION 2
Transmission	
Clutch, kick start	
ELECTRICAL.....	SECTION 3
Magneto	
CARBURETION.....	SECTION 4
Carburetor	
SPECIAL TOOLS.....	SECTION 5
Tools, special and owners kit	
FRAME.....	SECTION 6
Fork	
Main frame	
Swing arm, shock absorber	
CONTROLS.....	SECTION 7
Handlebar	
Cables	
EXHAUST SYSTEM.....	SECTION 8
Exhaust pipe, muffler	
BODY.....	SECTION 9
Body parts (fenders, side covers)	
Fuel tank	
WHEELS.....	SECTION 10
Brake system	
Front wheel	
Rear wheel	
SPECIAL/OPTIONAL PARTS.....	SECTION 11
Optional parts	
Competition parts	
Service items	
NUMERICAL LIST.....	SECTION 15
PRICE LIST with Service bulletin.....	SECTION 16
PARTS BULLETINS.....	SECTION 17

In this parts catalogue list, Parts and sub-assemblies have been provided as spare parts for Can-Am Motorcycles. When ordering these catalogue parts, always quote the entire number, and part name, as shown:

(A) Parts number categories

CAN-AM parts are divided into four (4) categories:

- 1. Engine
- 2. Fasteners
- 3. CAN-AM, General
- 4. Ski-Doo, General

part numbers always consist of nine (9) digits, broken into three parts, as follows (except for Ski-Doo):

XXX - XXX - XXX

The Ski-Doo parts number structure differs as shown:

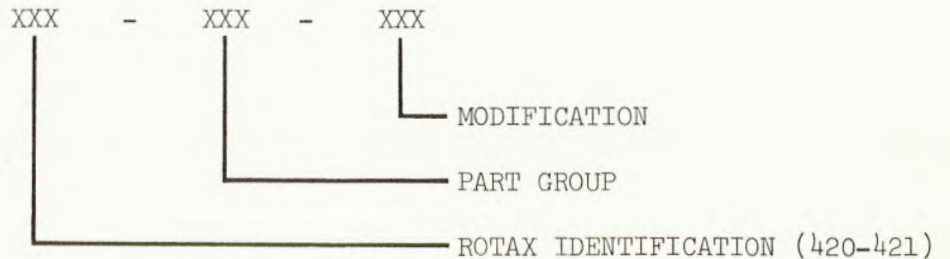
XXX - XXXX - XX

For simplicity, the entire price list will be printed with this Ski-Doo parts number breakdown.

STRUCTURE

Group Identification

1. ENGINE PARTS (ROTAX)

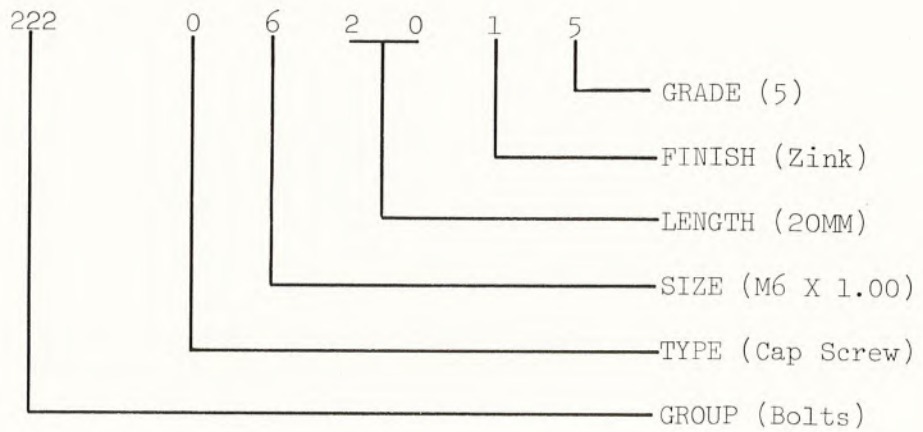


2. Fasteners (METRIC CAN-AM)

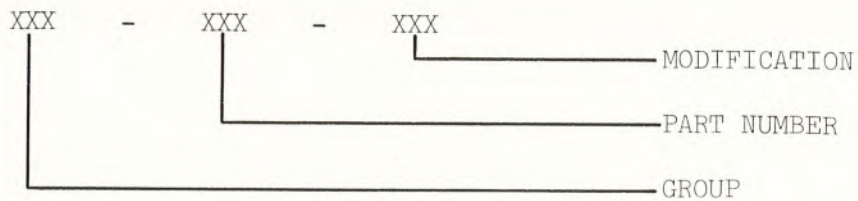
XX - XXX - XXX

EXAMPLE:

M6 X 1.00 X 20 MM Length Hex. HD. Cap Screw, Zinc plated,
Grade 5



3. GENERAL CAN-AM



THE FOLLOWING GROUPS ARE TO BE FOUND IN THIS CATALOG:
CAN-AM, General

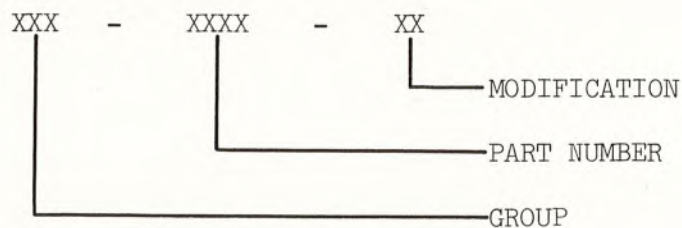
- 730 - Electrical, wiring components
- 731 - Crating Parts
- 732 - Seals, bearings, spring, "O" Rings, Circlips, Special Fasteners
- 733 - Accessories, clothing
- 734 - Engines, engine parts not Rotax
- 735 - Printed Material, Service, Parts
- 736 - Advertising, promotion material
- 737 - Control Components

THE FOLLOWING GROUPS ARE TO BE FOUND IN THIS CATALOG:

CAN-AM, General

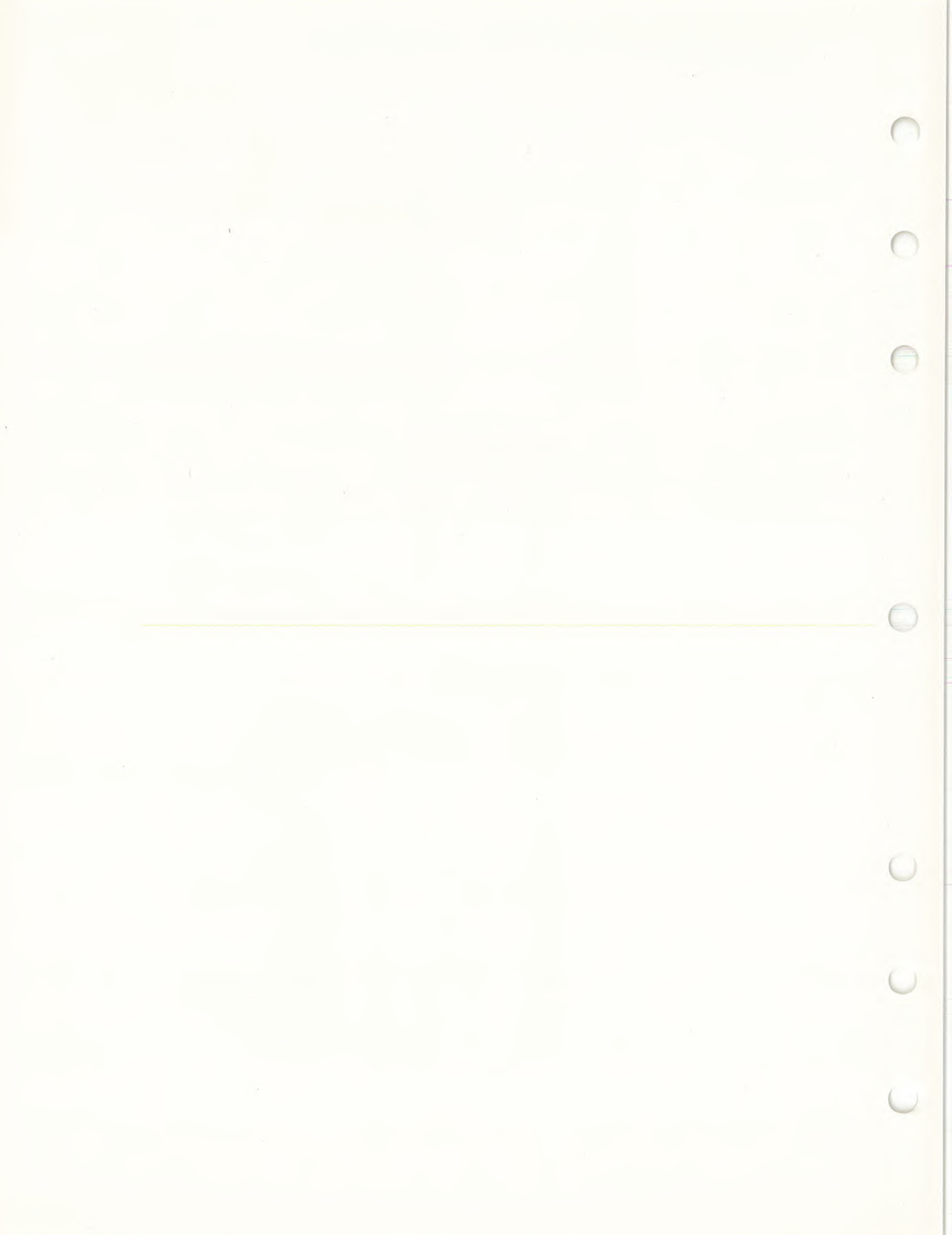
- 738 - Head and tail lamp, turn signal, electrical components
- 739 - Instruments
- 740 - Carburetor, Airbox intake system, air filtration
- 741 - Cables
- 742 - Suspension Units
- 743 - Wheel parts, drive chains
- 744 - Body Parts
- 745 - Exhaust System
- 746 - Frame
- 747 - Special tools and Service Items
- 748 - Miscellaneous fittings and fasteners
- 749 - Kits - Special Competition Parts

4. SKI-DOO GENERAL

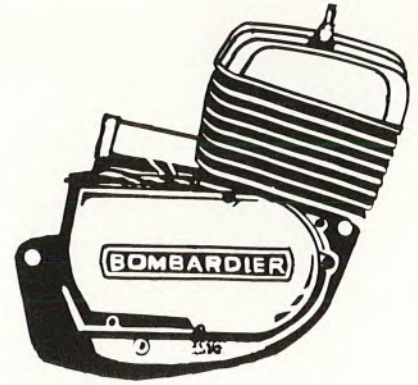


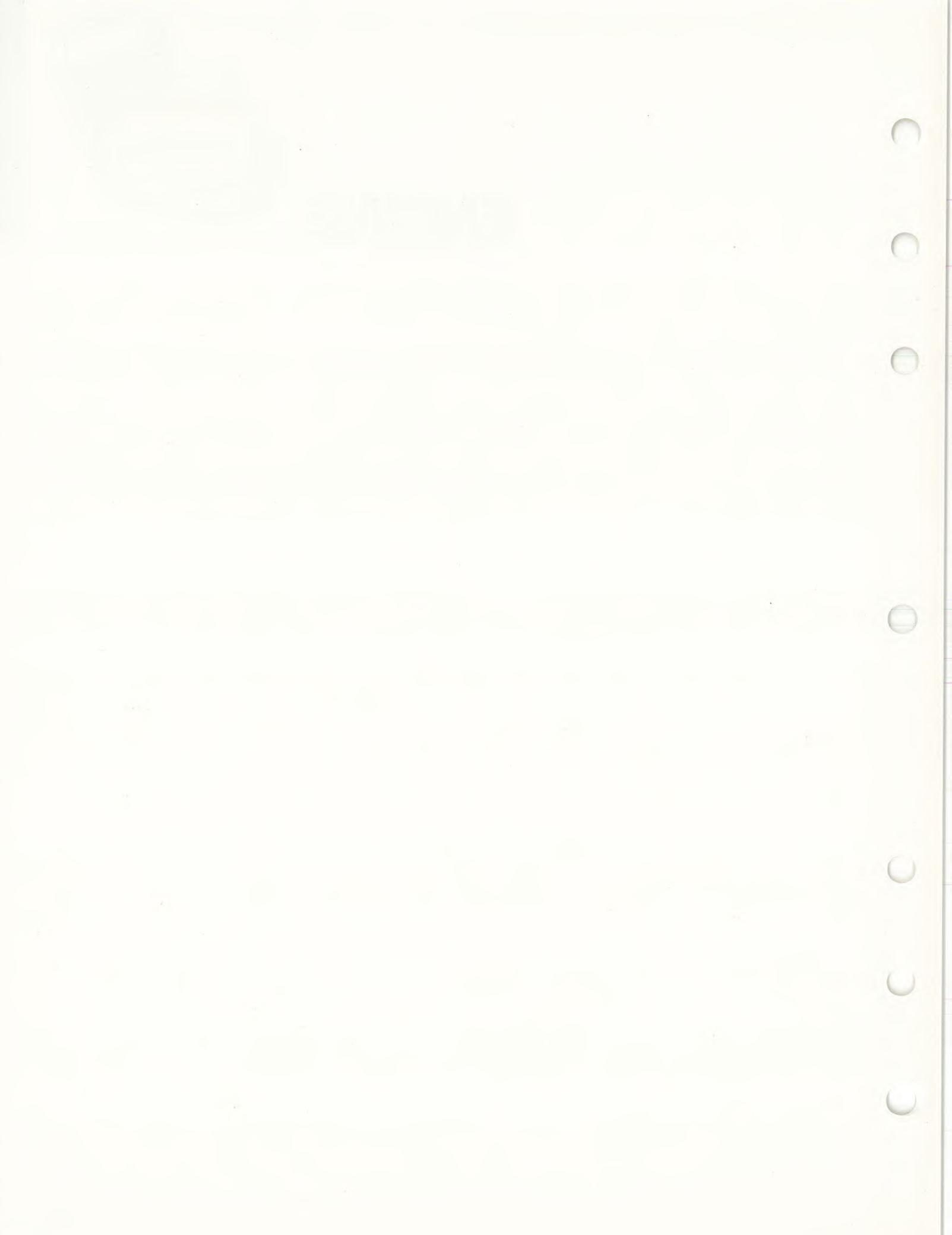
5. ABBREVIATIONS

STD	Standard
Assy	Assembly
L.H.	Left Hand
R.H.	Right Hand (Refers to the position of seated rides)
ALT	Alternate
T	Teeth
PR	Ply Rating
HEX	Hexagonal
D.N.A.	Does Not Apply
MAG	Magneto
W/	With
W/O	Without
lbs	Pounds
I.D.	Inside Diameter
O.D.	Outside Diameter
A.R.	As required
Int.	Internal

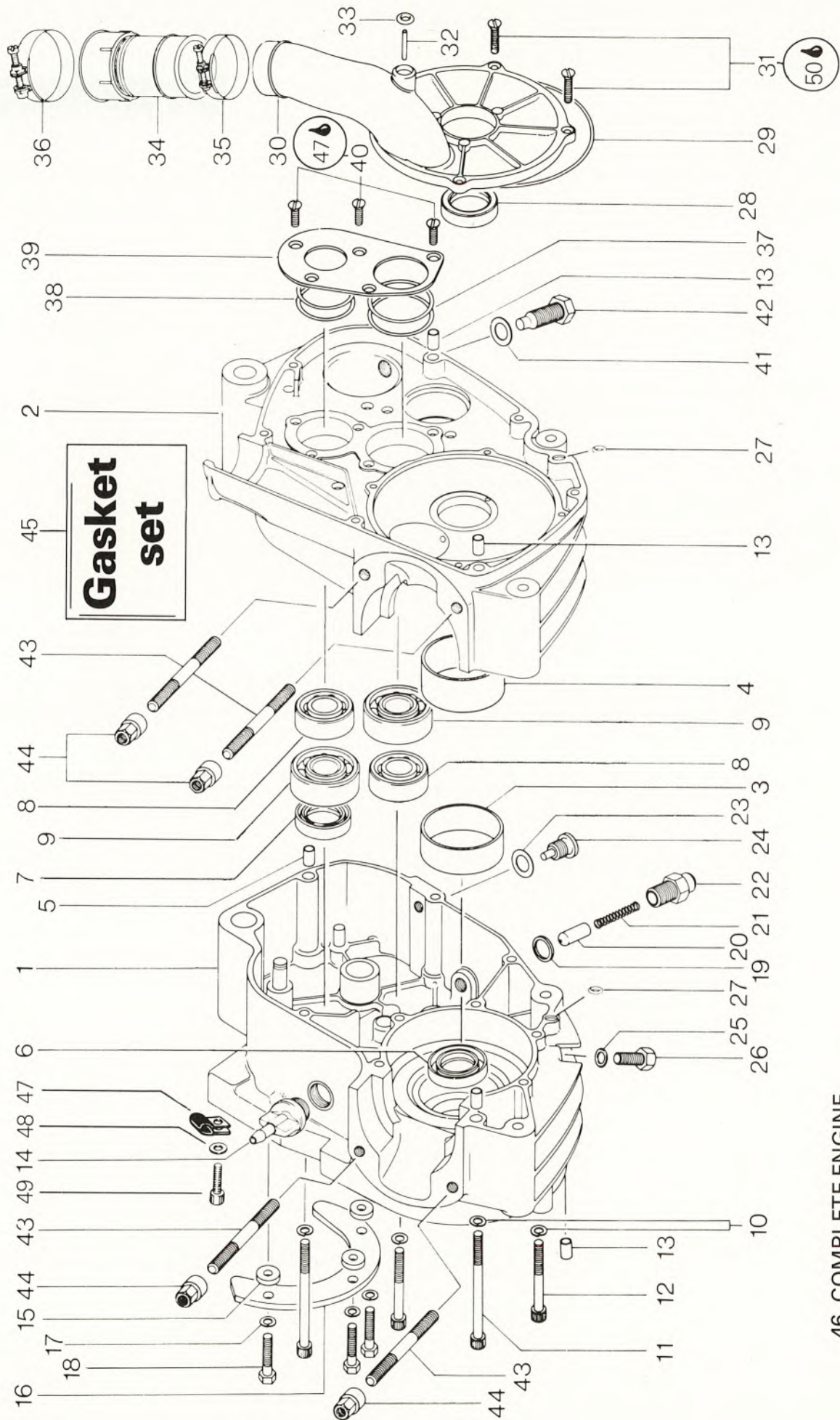


ENGINE



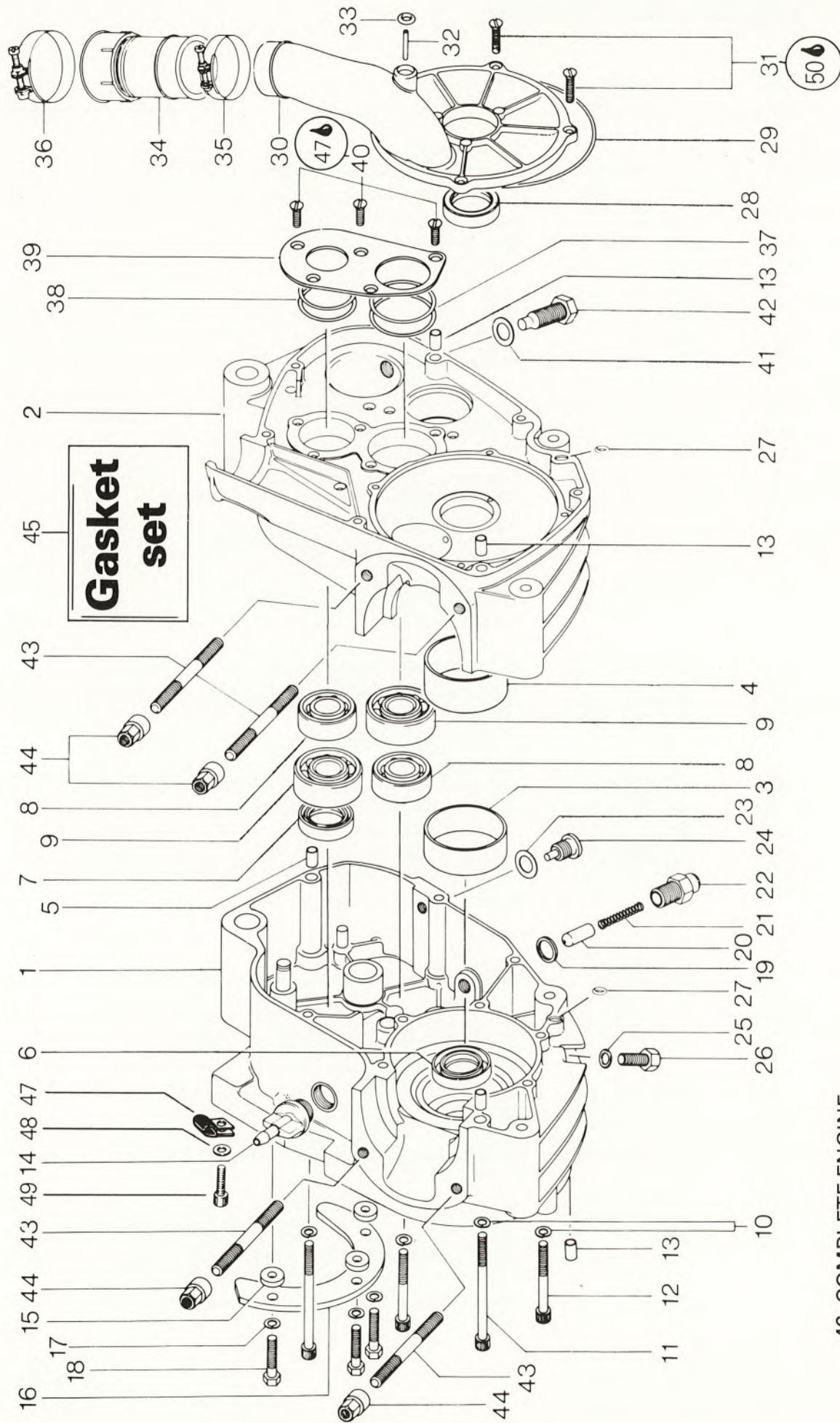


Crankcase



46 COMPLETE ENGINE
 50 LOCTITE

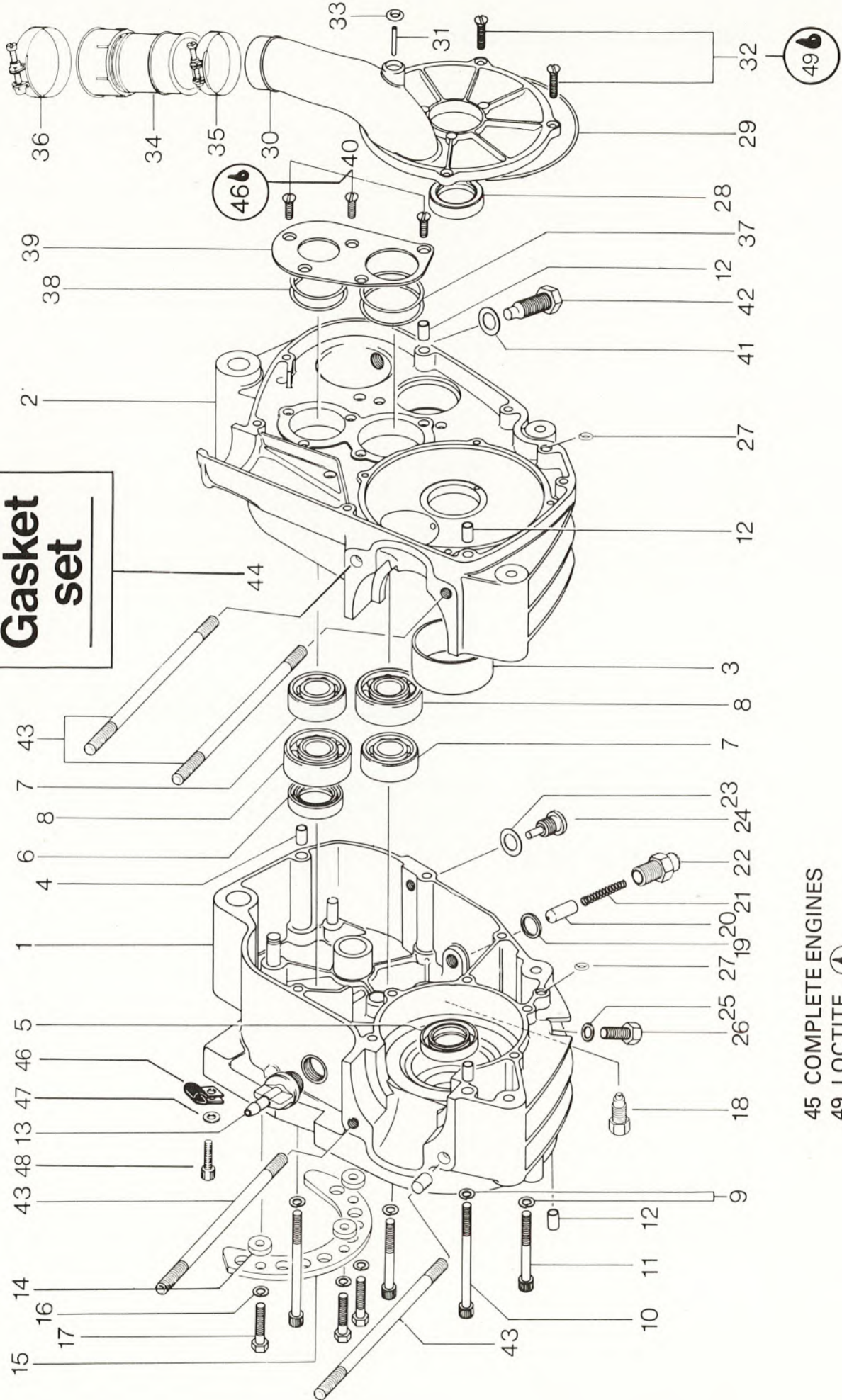
ITEM NO	PART NUMBER	DESCRIPTION	MX-11 125	MX-11 175
1 to 5	N 420 291 545	Crankcase Ass'y.....	1	1
3	420 260 390	Ring, Crankcase, Magneto Side.....	1	1
4	420 260 400	Ring, Crankcase, Clutch Side.....	1	1
5	420 949 900	Dowel, Locating.....	2	2
6	420 230 390	Seal, Magneto Side.....	1	1
7	420 230 421	Seal, Transmission Main Shaft.....	1	1
8	420 232 630	Ball Bearing 6203.....	2	2
9	420 232 640	Ball Bearing 6204.....	2	2
10	420 945 751	Lockwasher, 6 mm.....	10	10
11	420 241 870	Screw, Allen Head, M6 X 70.....	5	5
12	420 241 820	Screw, Allen Head, M6 X 45.....	5	5
13	420 949 900	Dowel, Locating.....	5	5
14	420 241 920	Oil Filler Cap, M18 X 1.5.....	1	1
15	420 247 240	Spacer, Chain Guard.....	3	3
16	420 297 330	Chain Guard (For Sprocket 13T, 420 236 950).....	1	1
	420 297 331	Chain Guard (For Sprocket 14T, 420 236 951).....	Opt	Opt
	420 297 332	Chain Guard (For Sprocket 15T, 420 236 952).....	Opt	Opt
17	420 945 751	Lockwasher, 6mm.....	3	3
18	420 240 035	Screw, Hex. Head, M6 X 25.....	3	3
19	N 420 230 500	Gasket Ring, Index Plug.....	1	1
20	420 258 552	Plunger, Index.....	1	1
21	420 239 712	Spring, Index Plunger.....	1	1
22	420 241 787	Plug, Transmission, Index.....	1	1
23	420 650 040	Gasket Ring.....	1	1
24	420 241 781	Plug, Magnetic Drain.....	1	1
25	420 950 141	Gasket Ring.....	1	1
26	420 940 580	Screw, Hex. Head, M8 X 16, Crankcase Drain.....	1	1
27	420 230 530	O'Ring.....	2	2
28	N 420 230 425	Seal, Clutch Side.....	1	1
29	420 230 310	O'Ring, Disk Valve Cover.....	1	1
30 - 32	420 212 037	Disk Valve Cover Ass'y.....	1	1
31	420 940 510	Screw, Countersunk Slot. Head, M5 X 16.....	4	4
32	420 224 040	Diffuser Tube.....	1	1
33	420 230 260	O'Ring, Oil Injection Inlet Port.....	1	1
34	N 420 267 741	Adapter, Carburetor.....	1	1
35	420 251 845	Hose Clamp, Carburetor Adapter.....	1	1
36	420 251 820	Hose Clamp, Carburetor.....	1	1
37	420 227 610	Shim 0.5 mm, Transmission Clutch Shaft Bearing.....	AR	AR
	420 227 611	Shim 0.3 mm, Transmission Clutch Shaft Bearing.....	AR	AR



46 COMPLETE ENGINE
 50 LOCTITE 

ITEM NO	PART NUMBER	DESCRIPTION	MX-11	MX-11
			125	175
37	420 227 612	Shim 0.1 mm, Transmission Clutch Shaft Bearing.....	AR	AR
38	420 227 520	Shim 0.5 mm, Transmission Main Shaft Bearing.....	AR	AR
	420 227 521	Shim 0.3 mm, Transmission Main Shaft Bearing.....	AR	AR
	420 227 522	Shim 0.1 mm, Transmission Main Shaft Bearing.....	AR	AR
39	420 227 550	Retaining Plate, Transmission Bearings.....	1	1
40	420 940 315	Screw, Countersunk Slot. Head, M5 X 12.....	5	5
41	420 650 040	Gasket Ring.....	1	1
42	420 241 775	Screw, Kick Starter Stop.....	1	1
43	420 840 535	Stud M8 X 44, Cylinder Base.....	4	4
44	420 242 585	Nut M8, Cylinder Base.....	4	4
45	N 420 291 473	Gasket Set.....	1	-
	N 420 291 478	Gasket Set.....	-	1
46	N 734 003 013	Engine Complete Without: Electronic Box, Magneto Ass'y., Carburetor & Levers.....	1	-
	N 734 003 014	Engine Complete Without: Electronic Box, Magneto Ass'y., Carburetor & Levers.....	-	1
47	414 1760 00	Cable Clip.....	1	1
48	224 061 120	Washer, 6 mm X 12 X 1.5.....	1	1
49	222 961 615	Screw, Socket Head Cap, M6 X 1.00 X 16.....	1	1
50	747 020 000	Loctite No. 271.....	AR	AR

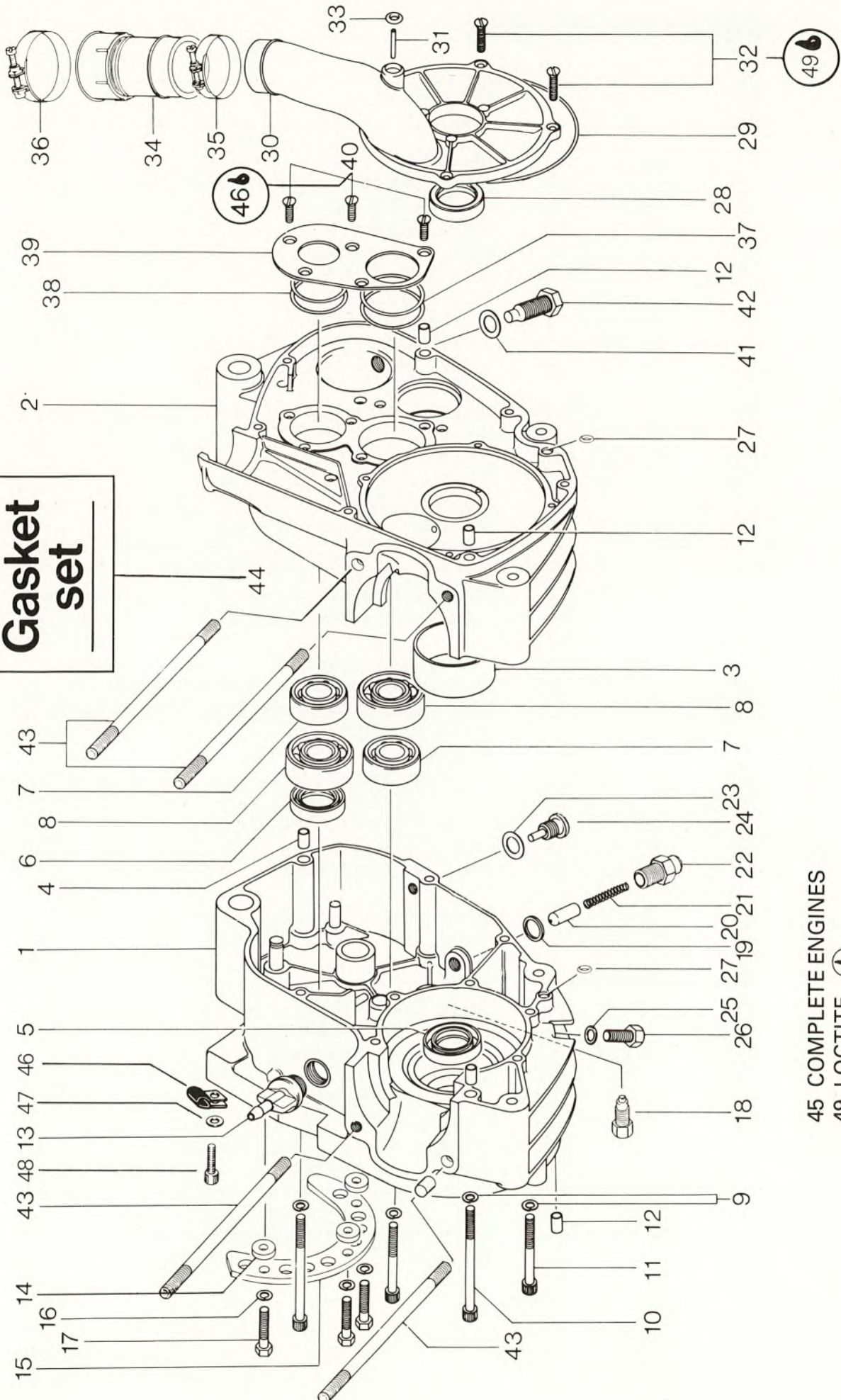
Gasket set



45 COMPLETE ENGINES
49 LOCTITE

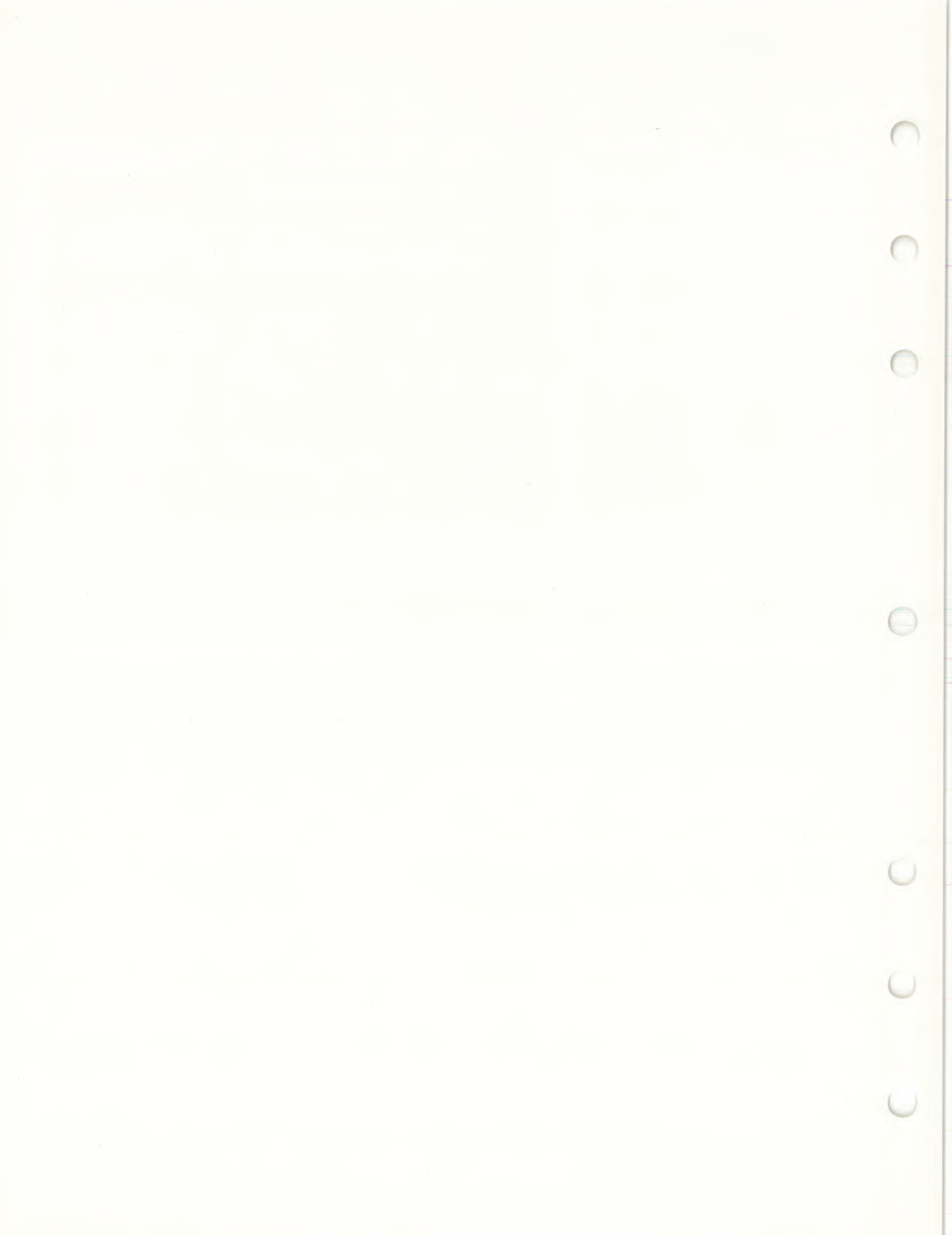
ITEM NO	PART NUMBER	DESCRIPTION	MX-11 250
1 to 4	420 291 682	Crankcase Ass'y.....	1
3	420 260 400	Ring, Crankcase, Clutch Side.....	1
4	420 949 900	Dowel, Locating.....	2
5	420 230 390	Seal, Magneto Side.....	1
6	420 230 421	Seal, Transmission Main Shaft.....	1
7	420 232 630	Ball Bearing 6203.....	2
8	420 232 640	Ball Bearing 6204.....	2
9	420 945 751	Lockwasher 6 mm.....	10
10	420 241 870	Screw, Allen Head, M6 X 70.....	5
11	420 241 820	Screw, Allen Head, M6 X 45.....	5
12	420 949 900	Dowel, Locating.....	5
13	420 241 920	Oil Filler Cap, M18 X 1.5.....	1
14	420 247 240	Spacer, Chain Guard.....	3
15	420 297 330	Chain Guard (For Sprocket 13T, 420 236 950).....	Opt
	420 297 331	Chain Guard (For Sprocket 14T, 420 236 951).....	1
	420 297 332	Chain Guard (For Sprocket 15T, 420 236 952).....	Opt
16	420 945 751	Lockwasher, 6 mm.....	3
17	420 240 035	Screw, Hex. Head, M6 X 25.....	3
18	420 241 900	Contact Screw Ass'y, Neutral Indicator (For Engines With Bore For Contact Screw Only).....	1
19	N 420 230 500	Gasket Ring, Index Plug.....	1
20	420 258 552	Plugger, Index.....	1
21	420 239 712	Spring, Index Plugger.....	1
22	420 241 787	Plug, Transmission, Index.....	1
23	420 650 040	Gasket Ring.....	1
24	420 241 781	Plug, Magnetic Drain.....	1
25	420 950 141	Gasket Ring.....	1
26	420 940 580	Screw, Hex. Head, M8 X 16, Crankcase Drain.....	1
27	420 230 530	O'Ring.....	2
28	N 420 230 425	Seal, Clutch Side.....	1
29	420 230 310	O'Ring, Disc Valve Cover.....	1
30-31	420 212 037	Disc Valve Cover Ass'y.....	1
31	420 224 040	Diffuser Tube.....	1
32	420 940 510	Screw, Countersunk Slot. Head, M5 X 16...	4
33	420 230 260	O'Ring, Oil Injection Inlet Port.....	1
34	420 267 741	Adapter, Carburetor.....	1
35	420 251 845	Hose Clamp, Carburetor Adaptor.....	1
36	420 251 820	Hose Clamp, Carburetor.....	1
37	420 227 610	Shim 0.5 mm, Transmission Clutch Shaft Bearing.....	AR

Gasket set



45 COMPLETE ENGINES
 49 LOCTITE 

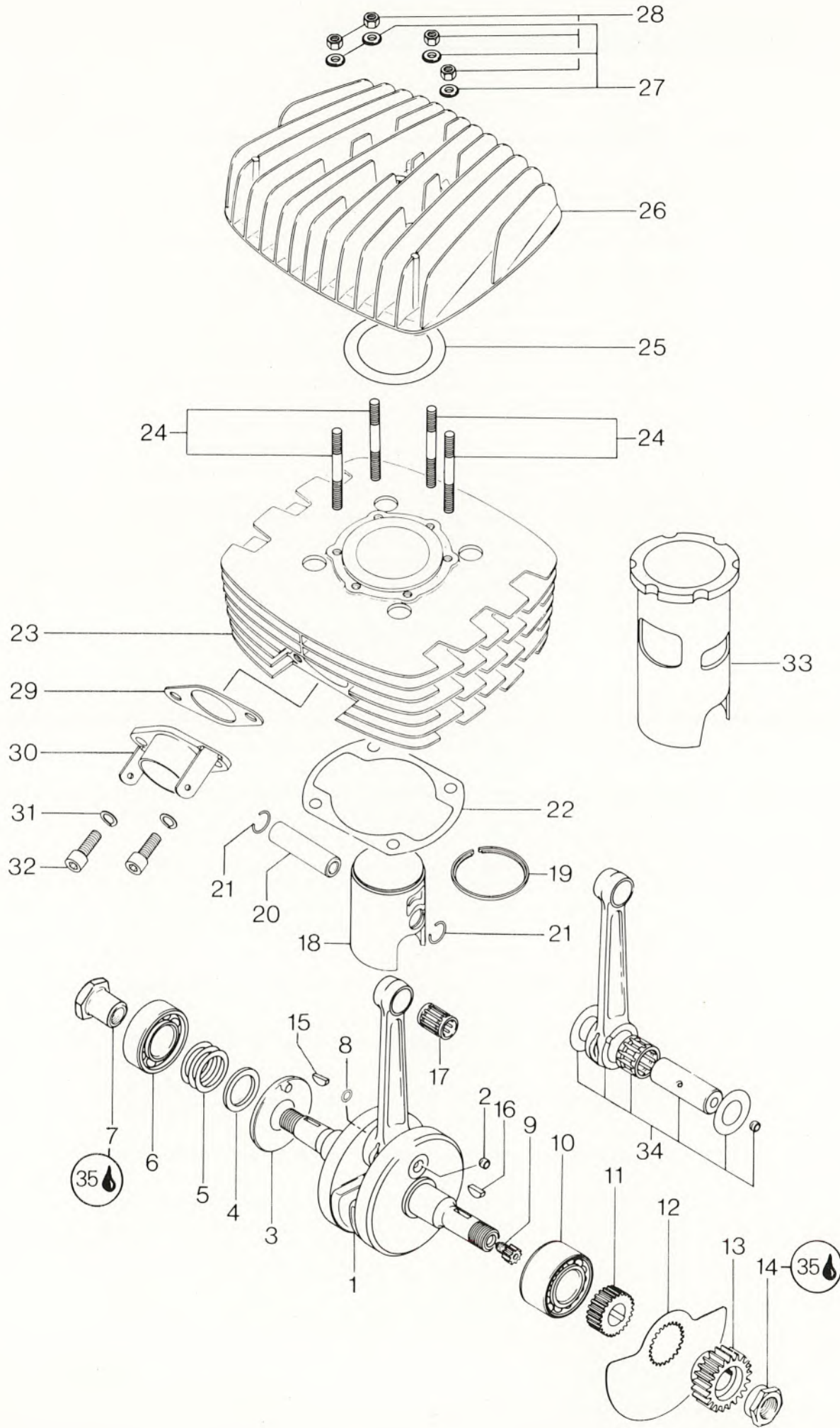
ITEM NO	PART NUMBER	DESCRIPTION	MX-11 250
37	420 227 611	Shim 0.3 mm, Transmission Clutch Shaft Bearing.....	AR
	420 227 612	Shim 0.1 mm, Transmission Clutch Shaft Bearing.....	AR
38	420 227 520	Shim 0.5 mm, Transmission Main Shaft Bearing.....	AR
	420 227 521	Shim 0.3 mm, Transmission Main Shaft Bearing.....	AR
	420 227 522	Shim 0.1 mm, Transmission Main Shaft Bearing.....	AR
39	420 227 550	Retaining Plate, Transmission Bearings...	1
40	420 940 315	Screw, Countersunk Slot. Head, M5 X 12...	5
41	420 650 040	Gasket Ring.....	1
42	420 241 775	Screw, Kick Starter Stop.....	1
43	420 840 620	Stud M8 Cylinder.....	4
44	N 420 291 653	Gasket Set.....	1
45	N 734 003 015	Engine Complete Without: Electronic Box, Magneto Ass'y, Carburetor & Levers.....	1
46	414 1760 00	Cable Clip.....	1
47	224 061 120	Washer, 6 mm.....	1
48	222 961 615	Screw, Socket Head Cap, M6 X 1.00 X 16...	1
49	747 020 000	Loctite No. 271.....	AR



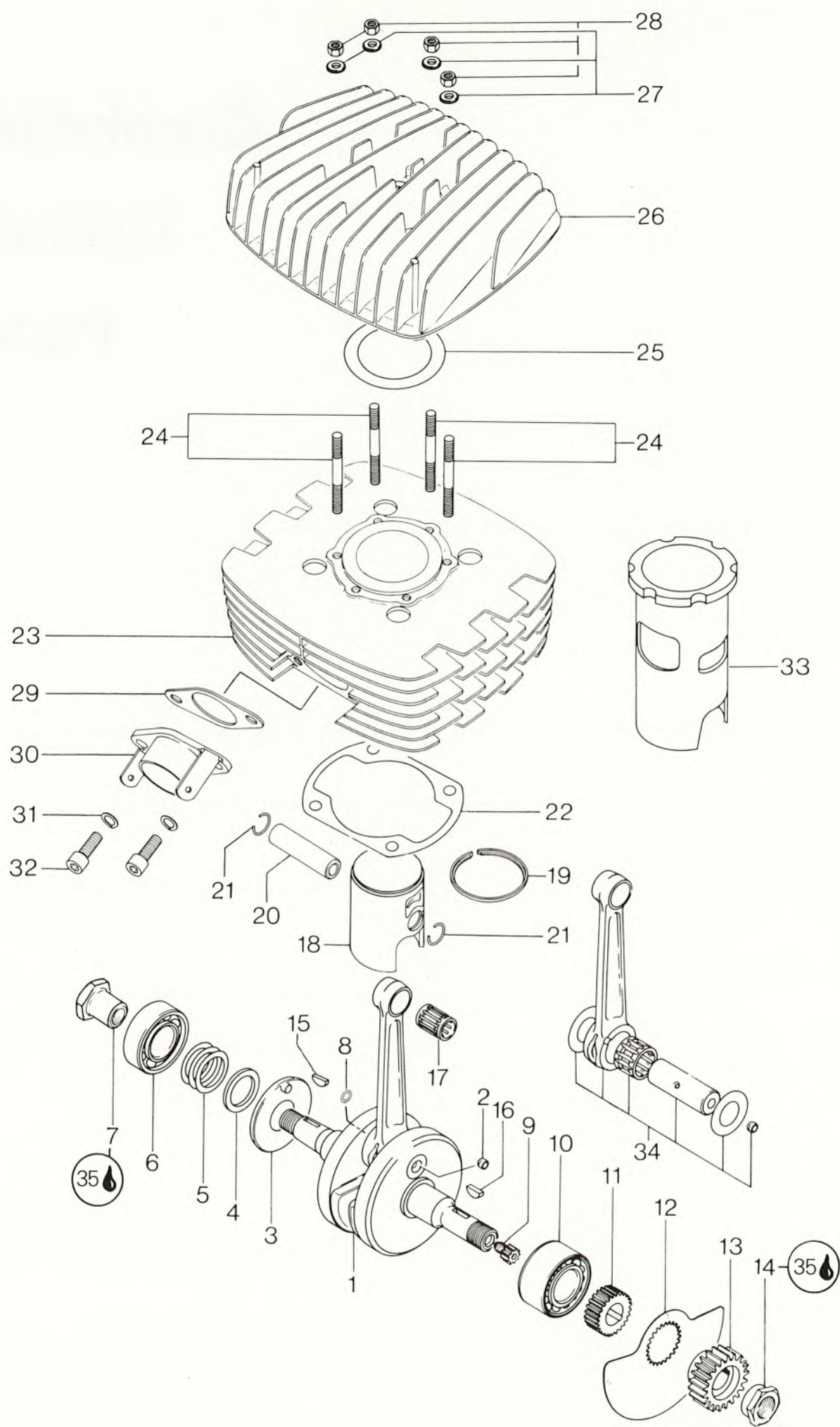
Crankshaft

Cylinder

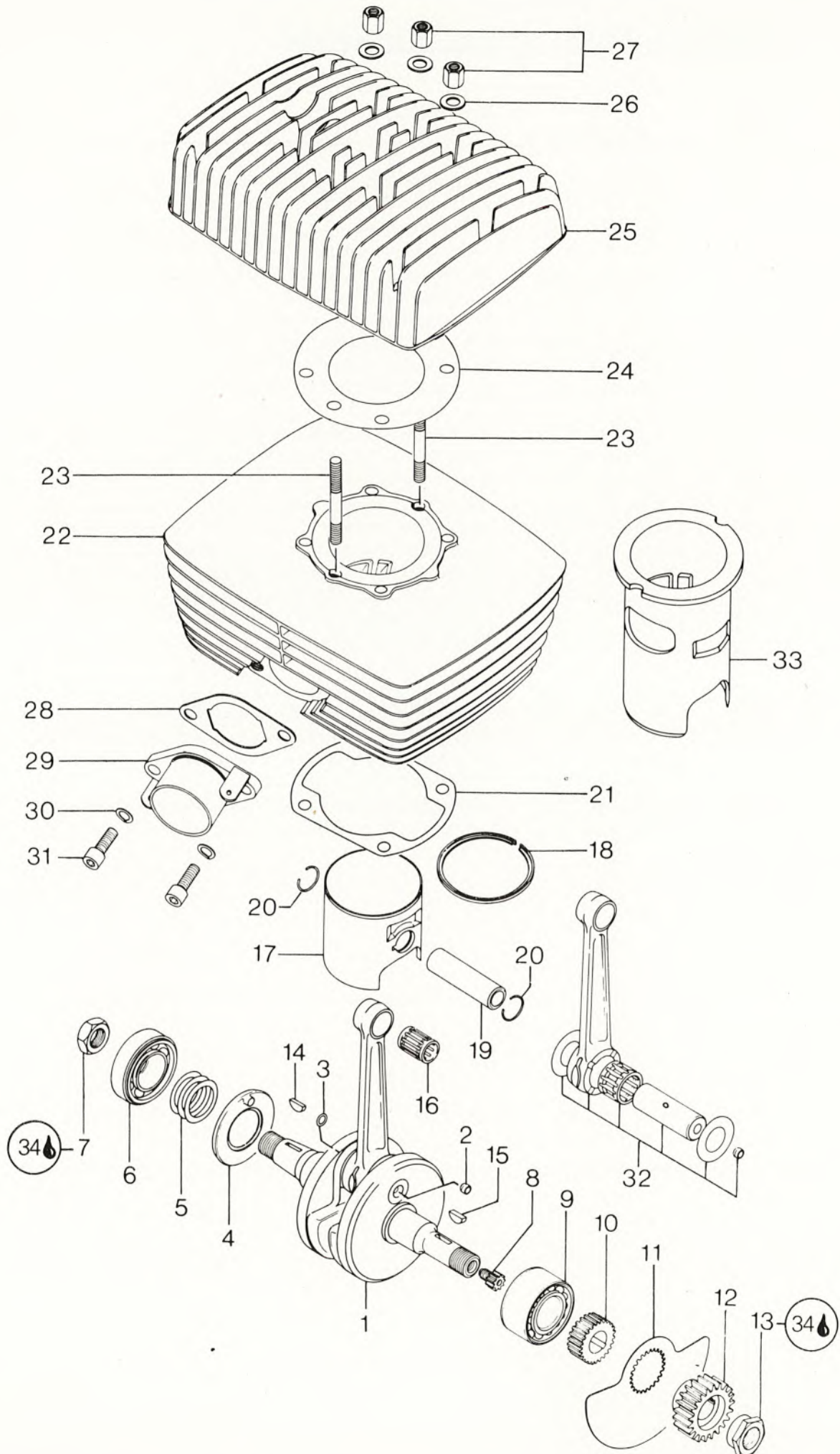
Piston



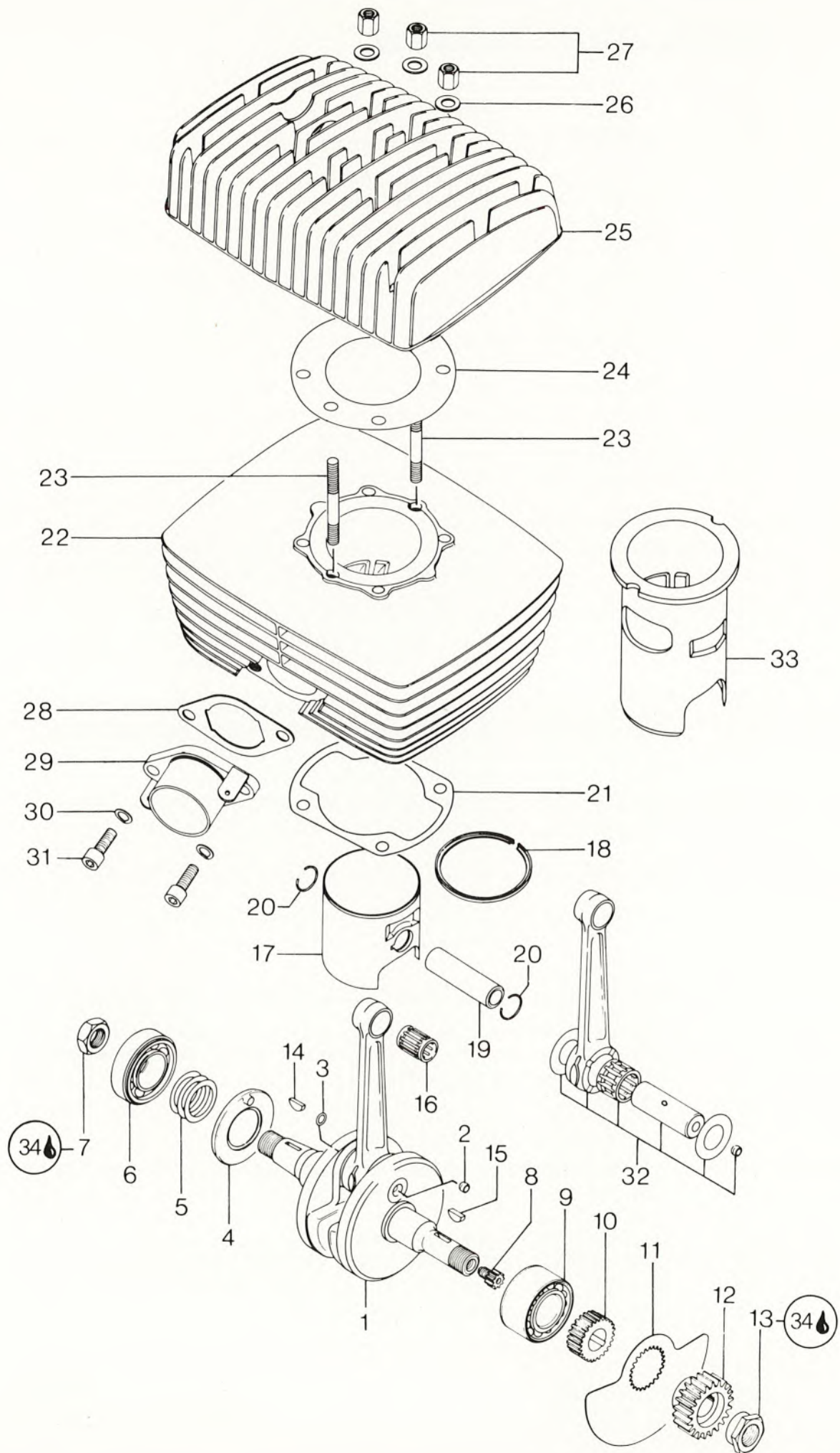
ITEM NO	PART NUMBER	DESCRIPTION	MX-11 125	MX-11 175
1 - 2	N 420 291 512	Crankshaft Ass'y.....	1	-
1 - 2	N 420 291 518	Crankshaft Ass'y.....	-	1
2	420 227 510	Filler Cap.....	1	1
3	420 224 020	Plate, Oil Guide.....	1	-
	420 224 025	Plate, Oil Guide.....	-	1
4	420 247 250	Spacer, Crankshaft, Magneto Side.....	1	1
5	420 944 470	Shim 0.2 mm, Crankshaft, Magneto Side	AR	AR
	420 944 471	Shim 0.3 mm, Crankshaft, Magneto Side	AR	AR
	420 944 474	Shim 0.1 mm, Crankshaft, Magneto Side	AR	AR
6	420 232 760	Ball Bearing 6205, Crankshaft, Magneto Side.....	1	1
7	N 420 242 630	Nut M16 X 1.5, Crankshaft, Magneto Side.....	1	1
8	420 230 530	O'Ring, Crank Pin.....	1	1
9	420 234 922	Gear 9T, Oil Pump Pinion.....	1	1
10	420 232 750	Ball Bearing 3205, Double Row, Crankshaft, Clutch Side.....	1	1
11	420 247 290	Spacer, Disk Valve.....	1	1
12	N 420 224 105	Disk Valve.....	1	1
13	N 420 291 593	Drive Gear With Clutch Drum Ass'y. (Replace Only Drive Gear With Clutch Drum Ass'y, See Also Section...Page ...Item.....	1	1
14	420 242 610	Nut M18 X 1.5, Crankshaft, Clutch Side.....	1	1
15	420 246 011	Key, Woodruff, Crankshaft, Magneto Side.....	1	1
16	420 246 570	Key, Woodruff, Crankshaft, Clutch Side.....	1	1
17	420 932 904	Needle Bearing, Piston Pin.....	1	1
18 - 19	N 420 291 670	Piston Ass'y., w/Ring 54.0 Dia. Std..	1	-
	N 420 291 671	Piston Ass'y., w/Ring 54.25 Dia. 1st Oversize.....	1	-
	N 420 291 672	Piston Ass'y., w/Ring 54.5 Dia. 2nd Oversize.....	1	-
	N 420 291 673	Piston Ass'y., w/Ring 54.75 Dia. 3rd Oversize.....	1	-
18 - 19	N 420 291 730	Piston Ass'y., w/Ring 62 Dia. Std....	-	1
	N 420 291 731	Piston Ass'y., w/Ring 62.25 Dia. 1st Oversize.....	-	1
	N 420 291 732	Piston Ass'y., w/Ring 62.5 Dia. 2nd Oversize.....	-	1
	N 420 291 733	Piston Ass'y., w/Ring 62.75 Dia. 3rd Oversize.....	1	-
19	420 215 110	L-Trapez Ring 54.0 Dia. Std.....	1	-
	420 215 111	L-Trapez Ring 54.25 Dia. 1st Oversize	1	-
	420 215 112	L-Trapez Ring 54.5 Dia. 2nd Oversize.	1	-



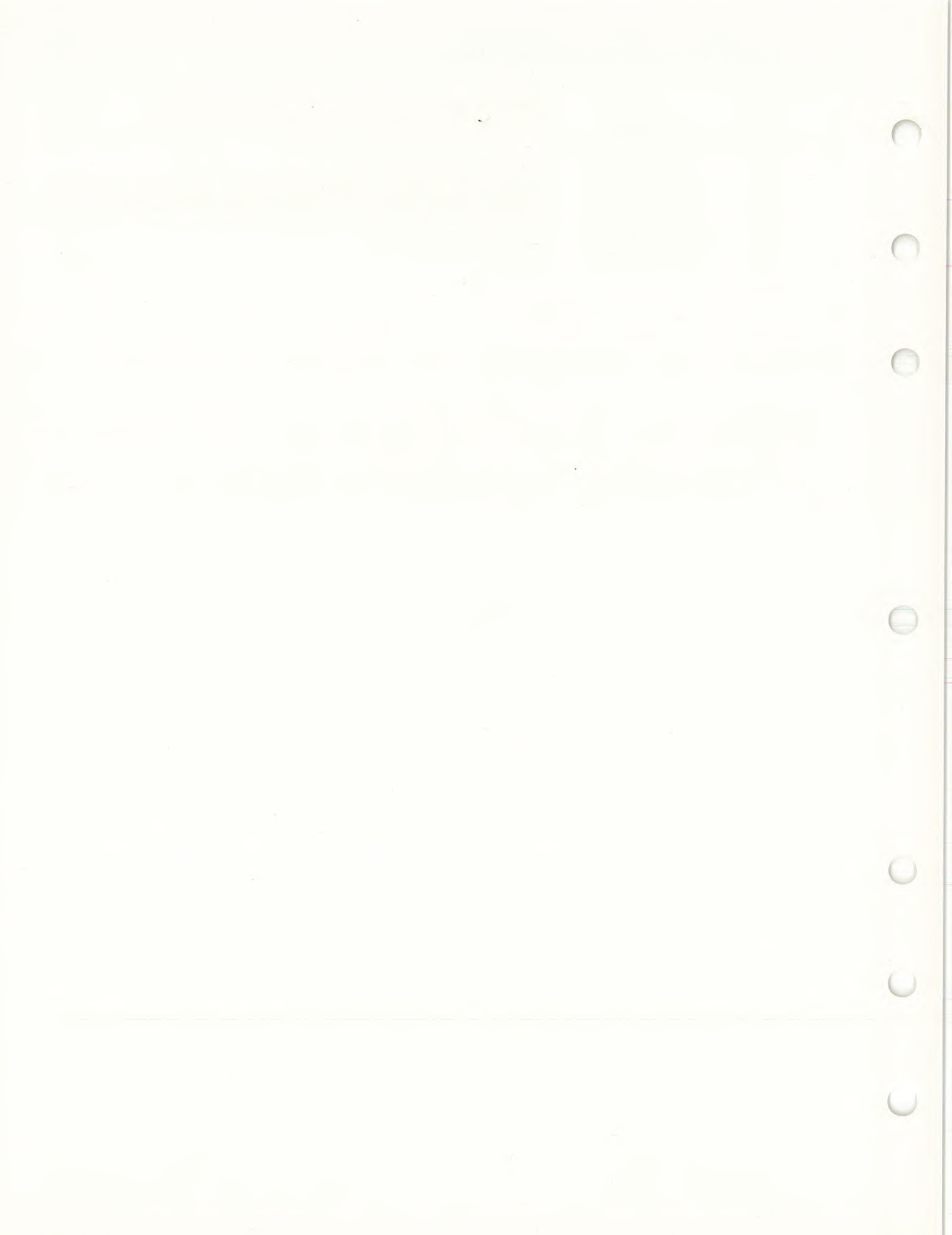
ITEM NO	PART NUMBER	DESCRIPTION	MX-11	MX-11
			125	175
19	420 215 113	L-Trapez Ring 54.75 Dia. 3rd Oversize	1	-
	420 215 120	L-Trapez Ring 62.0 Dia. Std.....	-	1
	420 215 121	L-Trapez Ring 62.25 Dia. 1st Oversize	-	1
	420 215 122	L-Trapez Ring 62.5 Dia. 2nd Oversize.	-	1
	420 215 123	L-Trapez Ring 62.75 Dia. 3rd Oversize	-	1
20	420 916 310	Piston Pin.....	1	-
	420 916 220	Piston Pin.....	-	1
21	420 945 735	Circlip, Piston Pin.....	2	2
22	N 420 230 552	Gasket, Cylinder Base.....	1	1
23	N 420 213 785	Cylinder w/Sleeve Ass'y.....	1	-
	N 420 213 825	Cylinder w/Sleeve Ass'y.....	-	1
24	420 241 890	Stud M7 X 33.5, Cylinder Head.....	6	6
25	420 230 360	Shim, Cylinder Head.....	AR	-
	420 230 365	Shim, Cylinder Head.....	-	AR
26	N 420 213 810	Cylinder Head.....	1	-
	N 420 213 622	Cylinder Head.....	-	1
27	420 227 570	Washer 7.4, Cylinder Head Nut.....	6	6
28	420 242 590	Hex. Nut M7, Cylinder Head.....	6	6
29	N 420 230 660	Gasket, Exhaust Socket.....	1	1
30	420 273 725	Exhaust Socket Ass'y.....	1	1
31	420 945 752	Lockwasher, 8 mm.....	2	2
43	420 240 080	Cylinder Screw, M8 X 25, Exhaust Socket.....	2	2
33	N 420 213 775	Cylinder Sleeve.....	1	-
	N 420 213 835	Cylinder Sleeve.....	-	1
34	420 291 519	Crankshaft Repair Kit.....	1	1
35	747 020 000	Loctite No. 271.....	AR	AR



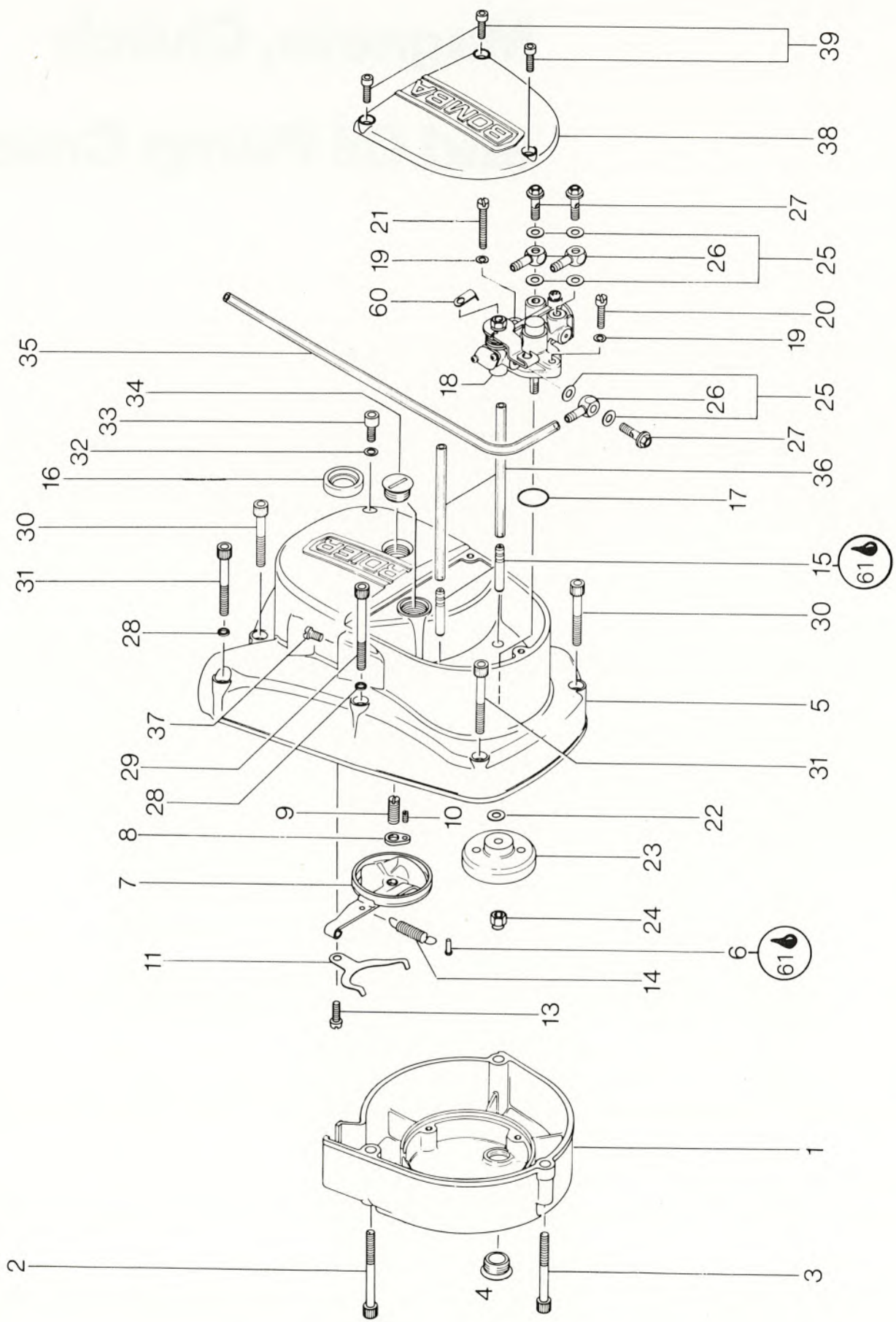
ITEM NO	PART NUMBER	DESCRIPTION	MX-11 250
1 - 2	420 291 690	Crankshaft Ass'y.....	1
2	420 227 510	Filler Cap.....	1
3	420 230 530	O'Ring.....	1
4	420 224 027	Plate, Oil Guide.....	1
5	420 944 582	Shim 0.3 mm, Crankshaft, Magneto Side....	AR
	420 944 583	Shim 0.1 mm, Crankshaft, Magneto Side....	AR
	420 944 586	Shim 0.2 mm, Crankshaft, Magneto Side....	AR
6	420 232 780	Ball Bearing 6206, Crankshaft, Magneto Side.....	1
7	420 242 570	Hex. Nut M16 X 1.5, Crankshaft, Magneto Side.....	1
8	420 234 922	Gear 9T, Oil Pump Pinion.....	1
9	420 232 750	Ball Bearing 3205, Double Row, Crankshaft, Clutch Side.....	1
10	N 420 247 290	Spacer, Disc Valve.....	1
11	N 420 224 105	Disc Valve (For Spacer, Disc Valve With Diameter At the Bottom of The Teeth of 29.5 mm).....	1
12	N 420 291 598	Drive Gear With Clutch Drum Ass'y (Replace Only Drive Gear With Clutch Drum Ass'y., See Section.... Page.... Item....	1
13	420 242 610	Nut M18 X 1.5, Crankshaft, Clutch Side...	1
14	420 246 011	Key, Woodruff, Crankshaft, Magneto Side..	1
15	420 246 570	Key, Woodruff, Crankshaft, Clutch Side...	1
16	420 932 904	Needle Bearing, Piston Pin.....	1
17 - 18	420 291 700	Piston Ass'y, w/Rings 74.0 Dia., Std.....	1
	420 291 701	Piston Ass'y, w/Rings 74.25 Dia., 1st Oversize.....	1
	420 291 702	Piston Ass'y, w/Rings 74.5 Dia., 2nd Oversize.....	1
	420 291 703	Piston Ass'y, w/Rings 74.75 Dia., 3rd Oversize.....	1
18	420 215 145	L-Trapez Ring 74.0 Dia., Std.....	1
	420 215 146	L-Trapez Ring 74.25 Dia., 1st Oversize...	1
	420 215 147	L-Trapez Ring 74.5 Dia., 2nd Oversize....	1
	420 215 148	L-Trapez Ring 74.75 Dia., 3rd Oversize...	1
19	420 916 185	Piston Pin.....	1
20	420 945 735	Circlip, Piston Pin.....	2
21	N 420 230 552	Gasket, Cylinder Base.....	1
22	420 213 805	Cylinder w/Sleeve Ass'y.....	1
23	420 840 610	Stud M8 X 49, Cylinder Head.....	2
24	420 230 560	Shim, Cylinder Head.....	AR
25	420 213 715	Cylinder Head, Std.....	1
26	420 250 311	Washer 8.4 mm, Cylinder Head Nut.....	6
27	420 842 130	Hex. Nut M8, Cylinder Head.....	6
28	420 830 270	Gasket, Exhaust Socket.....	1



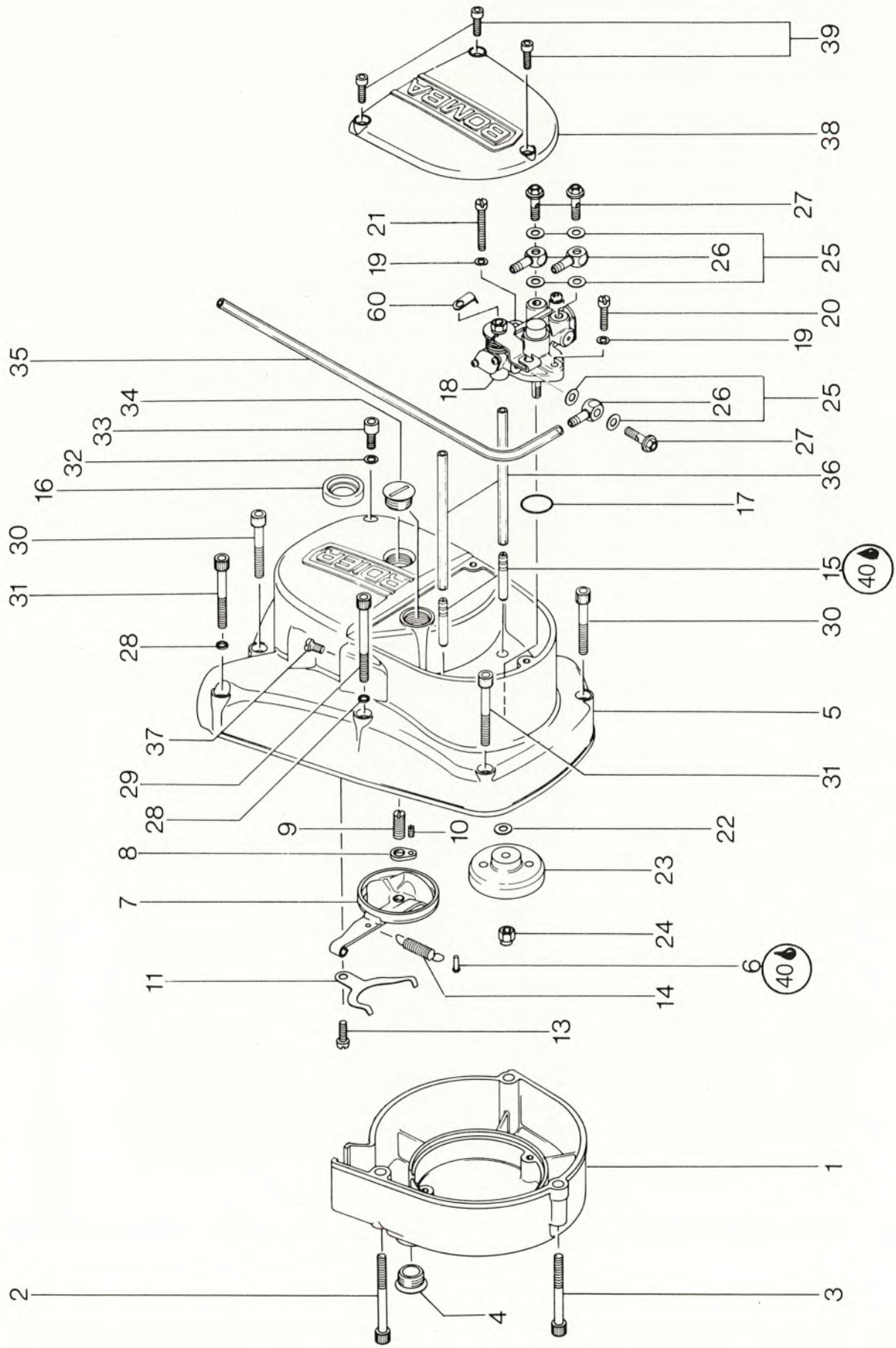
ITEM NO	PART NUMBER	DESCRIPTION	MX-11 250
29	420 273 698	Exhaust Socket Ass'y.....	1
30	420 945 752	Lockwasher 8 mm.....	2
31	420 240 080	Cylinder Screw M8 X 25, Exhaust Socket...	2
32	420 291 499	Crankshaft Repair Kit.....	1
33	N 420 213 790	Cylinder Sleeve.....	1
34	747 020 000	Loctite No 271.....	AR



Magneto, Clutch and Oil Pump Covers.

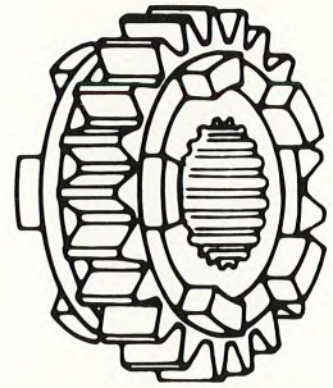


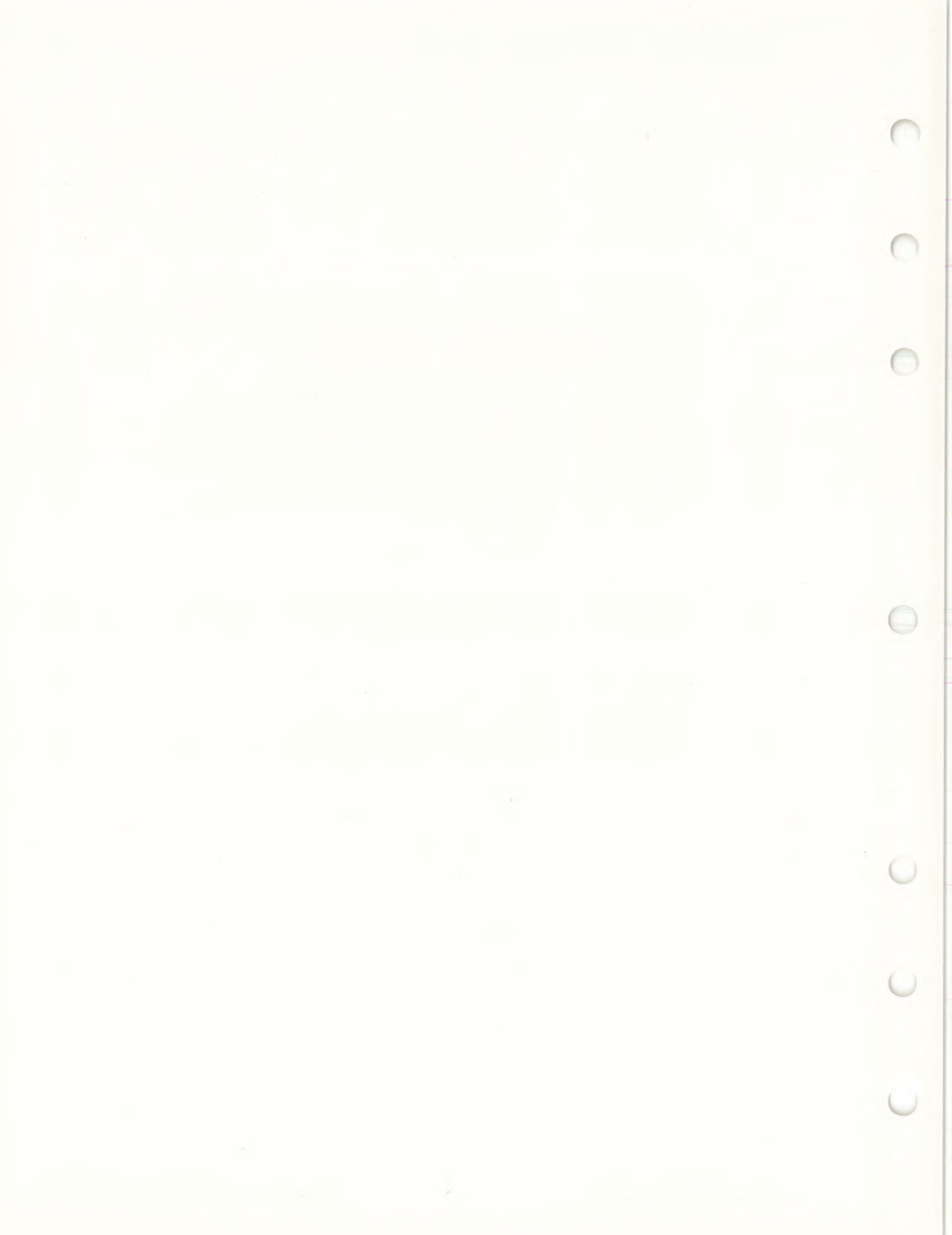
ITEM NO	PART NUMBER	DESCRIPTION	MX-11	MX-11
			125	175
1	N 420 212 155	Magneto Cover.....	1	1
2	420 241 761	Cylinder Screw, M6 X 50.....	2	2
3	420 241 821	Cylinder Screw, M6 X 45.....	1	1
4	420 241 800	Plug, Adjustment.....	1	1
5 - 6	420 212 102	Clutch Cover Assembly.....	1	1
15		" " " "		
6	420 949 030	Drive Pin 3 X 8.....	1	1
7	420 259 619	Cam Ass'y., Clutch Release.....	1	1
8	420 259 630	Plate, Clutch Adj. Locking.....	1	1
9	420 241 791	Screw M8 X 15, Clutch Adjustment.....	1	1
10	420 241 795	Screw M4 X 6, Clutch Adjustment.....	1	1
11	420 239 660	Spring, Clutch Cam Retaining.....	1	1
13	420 240 560	Screw, Slot. Head, M5 X 12.....	1	1
14	420 239 630	Spring, Clutch Cam Return.....	1	1
15	420 256 040	Valve Ass'y., Oil Pump Check.....	2	2
16	N 420 230 355	Seal, Kick Start Shaft.....	1	1
17	420 230 370	O'Ring, Oil Pump Mounting Flange.....	1	1
18	420 291 430	Oil Pump Ass'y.....	1	-
	420 291 432	Oil Pump Ass'y.....	-	1
19	420 945 750	Lockwasher, 5 mm.....	2	2
20	420 240 760	Screw, Slot. Head, M5 X 16.....	1	1
21	420 240 975	Screw, Slot. Head, M5 X 28.....	1	1
22	420 927 945	Washer, 6.2 mm.....	1	1
23	420 234 932	Gear, Oil Pump, 34T.....	1	1
24	420 842 040	Hex. Nut M6, Oil Pump Gear.....	1	1
25	420 227 500	Gasket, Oil Banjo.....	6	6
26	420 256 020	Banjo.....	3	3
27	420 241 830	Bolt, Banjo.....	3	3
28	420 830 890	Gasket, Clutch Cover Screw.....	2	2
29	420 241 761	Screw, Allen Head, M6 X 50.....	1	1
30	420 241 811	Screw, Allen Head, M6 X 35.....	4	4
31	420 241 816	Screw, Allen Head, M6 X 40.....	3	3
32	420 830 890	Gasket, Oil Level Plug.....	1	1
33	420 840 370	Plug, Oil Level.....	1	1
34	420 241 800	Plug, Adjustment.....	2	2
35	420 256 032	Oil Line 560 mm.....	1	1
36	420 256 031	Oil Line 90 mm.....	2	2
37	N 420 941 990	Cylinder Screw, M6 X 10.....	1	1
38	N 420 212 065	Oil Pump Cover.....	1	1
39	420 241 841	Screw, Allen Head, M5 X 12.....	3	3
60	N 420 256 100	Oil Pump Fixation.....	1	1
61	747 020 000	Loctite No 271.....	AR	AR



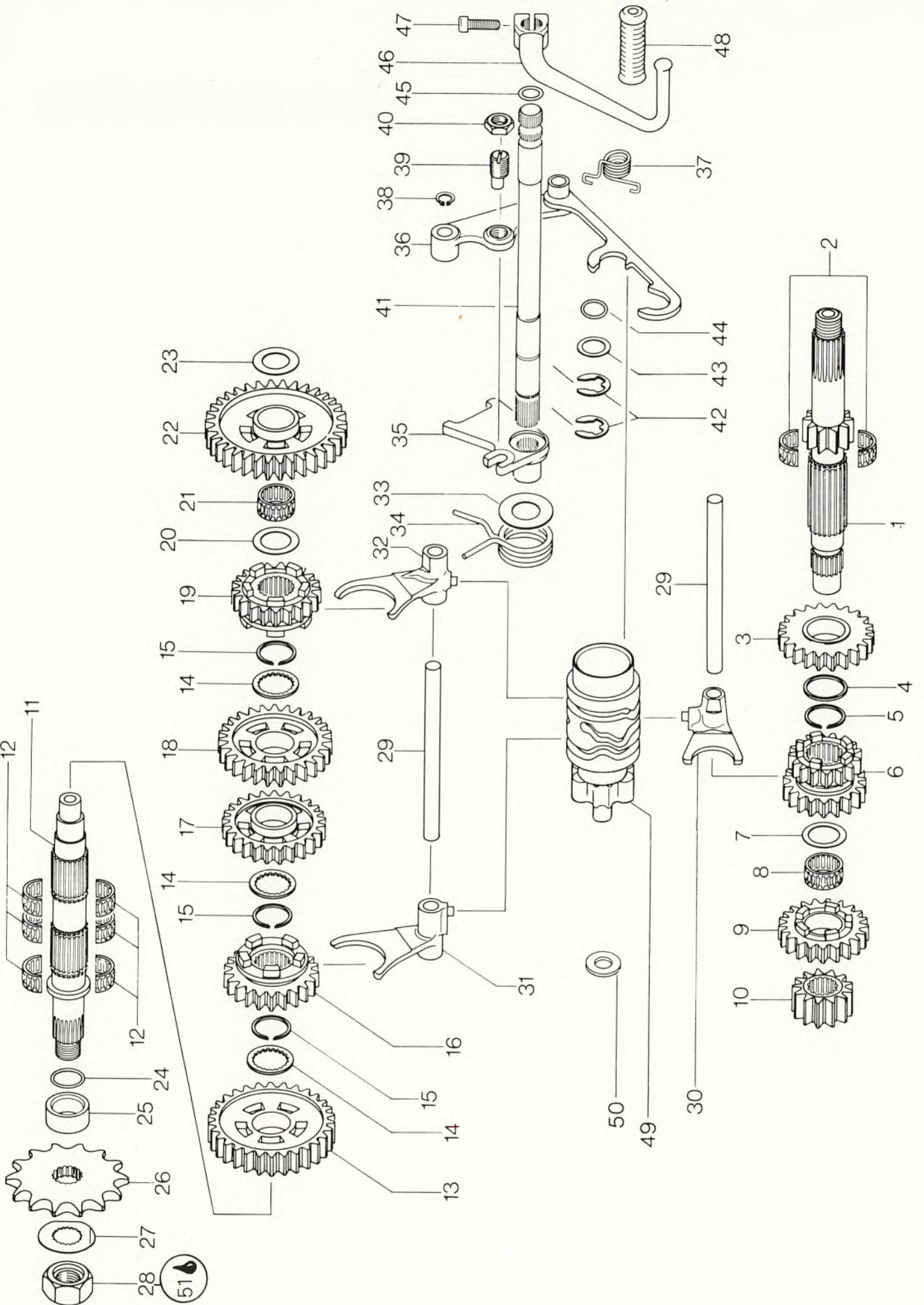
ITEM NO	PART NUMBER	DESCRIPTION	MX-11 250
1	N 420 212 150	Magneto Cover.....	1
2	420 241 761	Cylinder Screw M6 X 50.....	2
3	420 241 821	Cylinder Screw M6 X 45.....	2
4	420 241 800	Plug, Adjustment.....	1
5 - 6	420 212 102	Clutch Cover Ass'y.....	1
15		" " " " " "	
6	420 949 030	Drive Pin 3 X 8.....	1
7	420 259 619	Cam Ass'y, Clutch Release.....	1
8	420 259 630	Plate, Clutch Adjustment Locking.....	1
9	420 241 791	Screw M8 X 15, Clutch Adjustment.....	1
10	420 241 795	Screw M4 X 6, Clutch Adjustment.....	1
11	420 239 660	Spring, Clutch Cam Retaining.....	1
13	420 240 560	Screw, Slot. Head, M5 X 12.....	1
14	420 239 630	Spring, Clutch Cam Return.....	1
15	420 256 040	Valve Ass'y, Oil Pump Check.....	2
16	N 420 230 355	Seal, Kick Start Shaft.....	1
17	420 230 370	O'Ring, Oil Pump Mounting Flange.....	1
18	420 291 433	Oil Pump Ass'y.....	1
19	420 945 750	Lockwasher 5 mm.....	2
20	420 240 760	Screw, Slot. Head, M5 X 16.....	1
21	420 240 975	Screw, Slot. Head, M5 X 28.....	1
22	420 927 945	Washer 6.2 mm.....	1
23	420 234 932	Gear, Oil Pump, 3/4T.....	1
24	420 842 040	Hex. Nut M6, Oil Pump Gear.....	1
25	420 227 500	Gasket, Oil Banjo.....	6
26	420 256 020	Banjo.....	3
27	420 241 830	Bolt, Banjo.....	3
28	420 830 890	Gasket, Clutch Cover Screw.....	2
29	420 241 761	Screw, Allen Head, M6 X 50.....	1
30	420 241 811	Screw, Allen Head, M6 X 35.....	4
31	420 241 816	Screw, Allen Head, M6 X 40.....	3
32	420 830 890	Gasket, Oil Level Plug.....	1
33	420 840 370	Plug, Oil Level.....	1
34	420 241 800	Plug, Adjustment.....	2
35	420 256 032	Oil Line 560 mm.....	1
36	420 256 031	Oil Line 90 mm.....	2
37	N 420 941 990	Cylinder, Screw M6 X 10.....	1
38	N 420 212 065	Oil Pump Cover.....	1
39	420 241 841	Screw, Allen Head, M5 X 12.....	3
40	747 020 000	Loctite No 271.....	AR

GEAR BOX

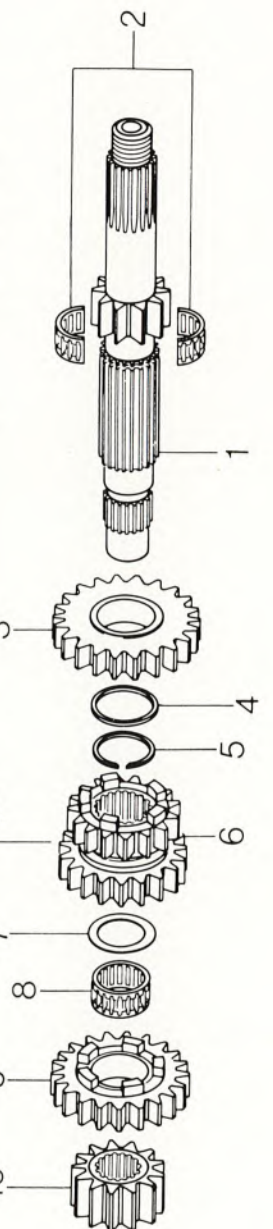
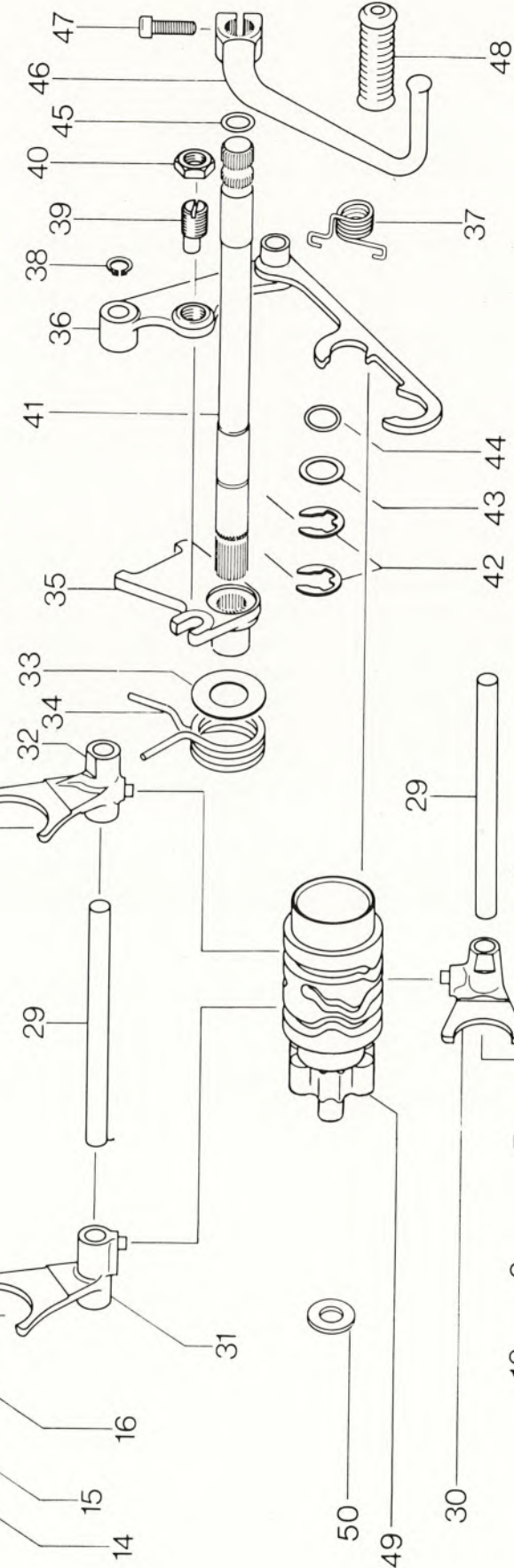
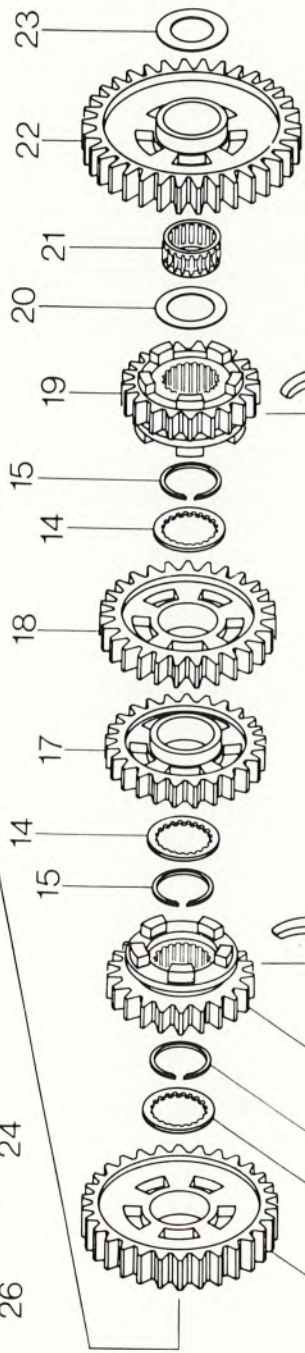
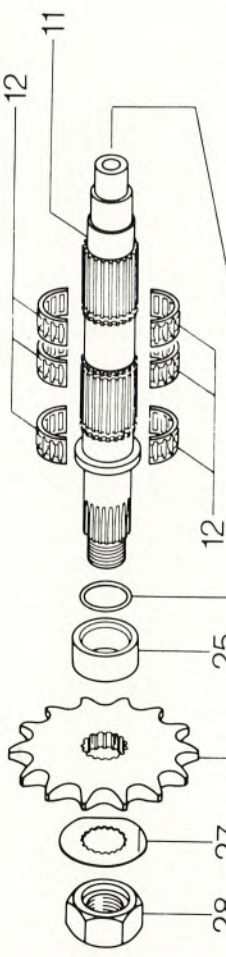
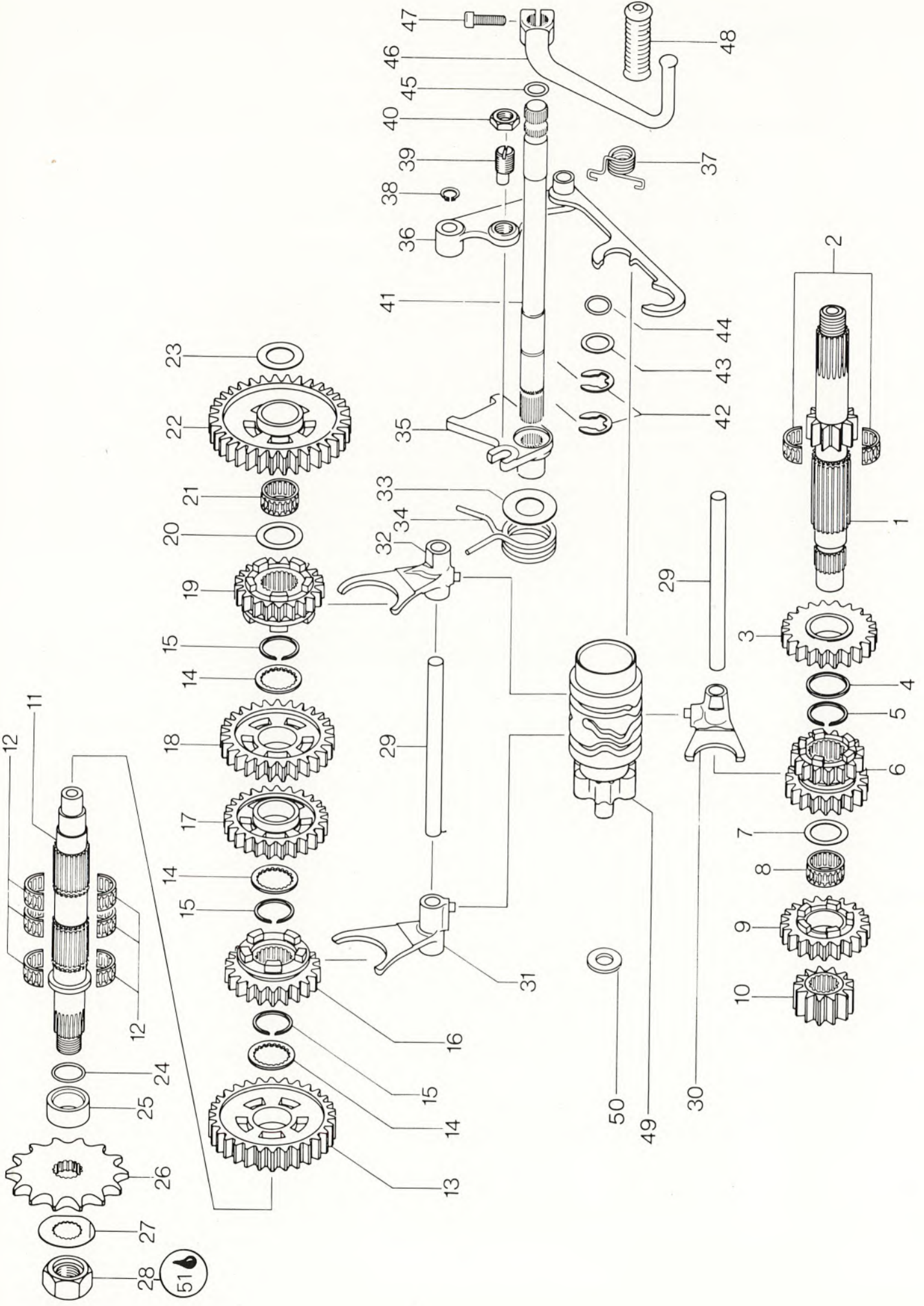




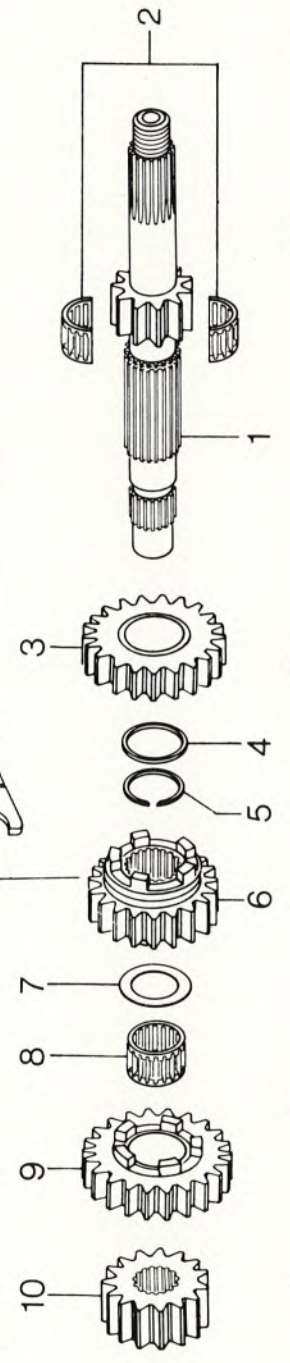
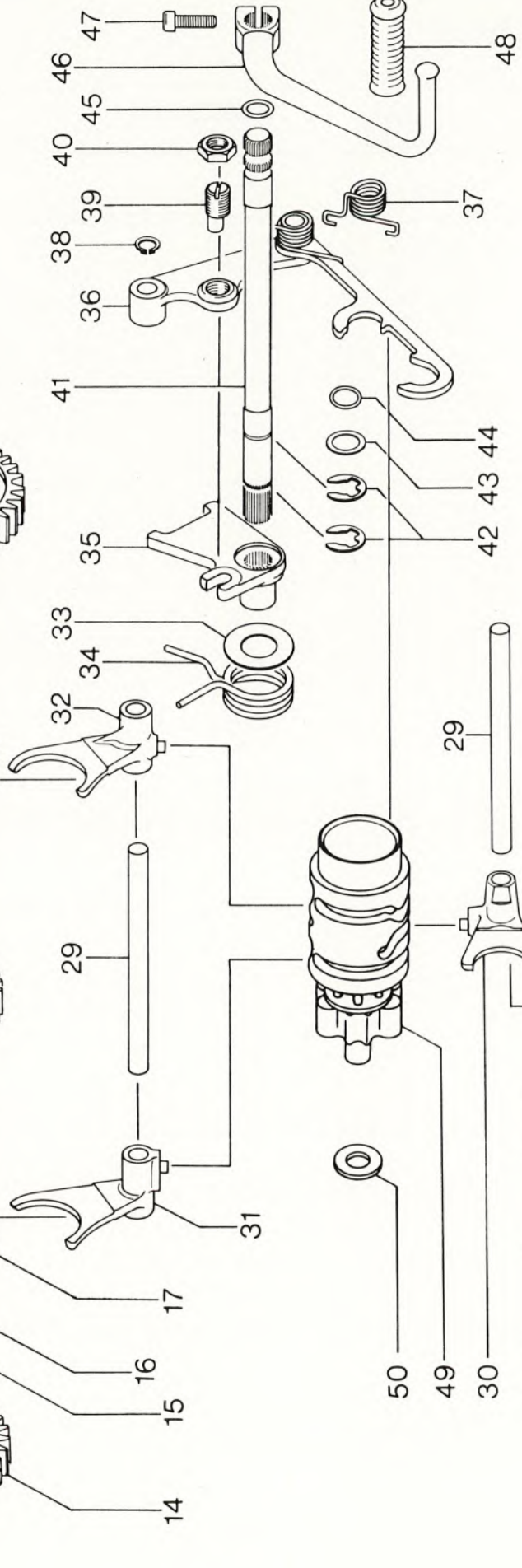
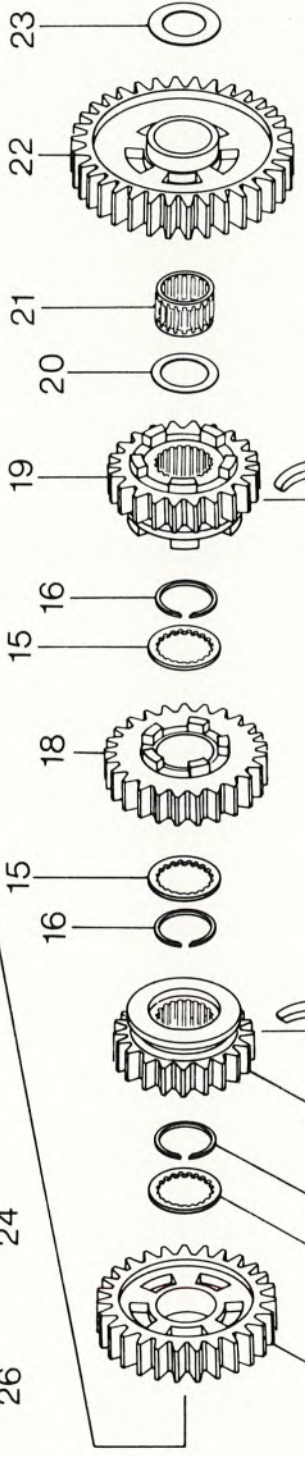
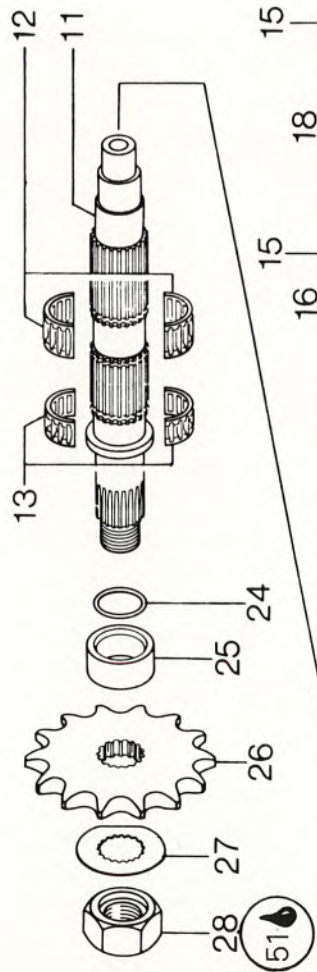
Transmission



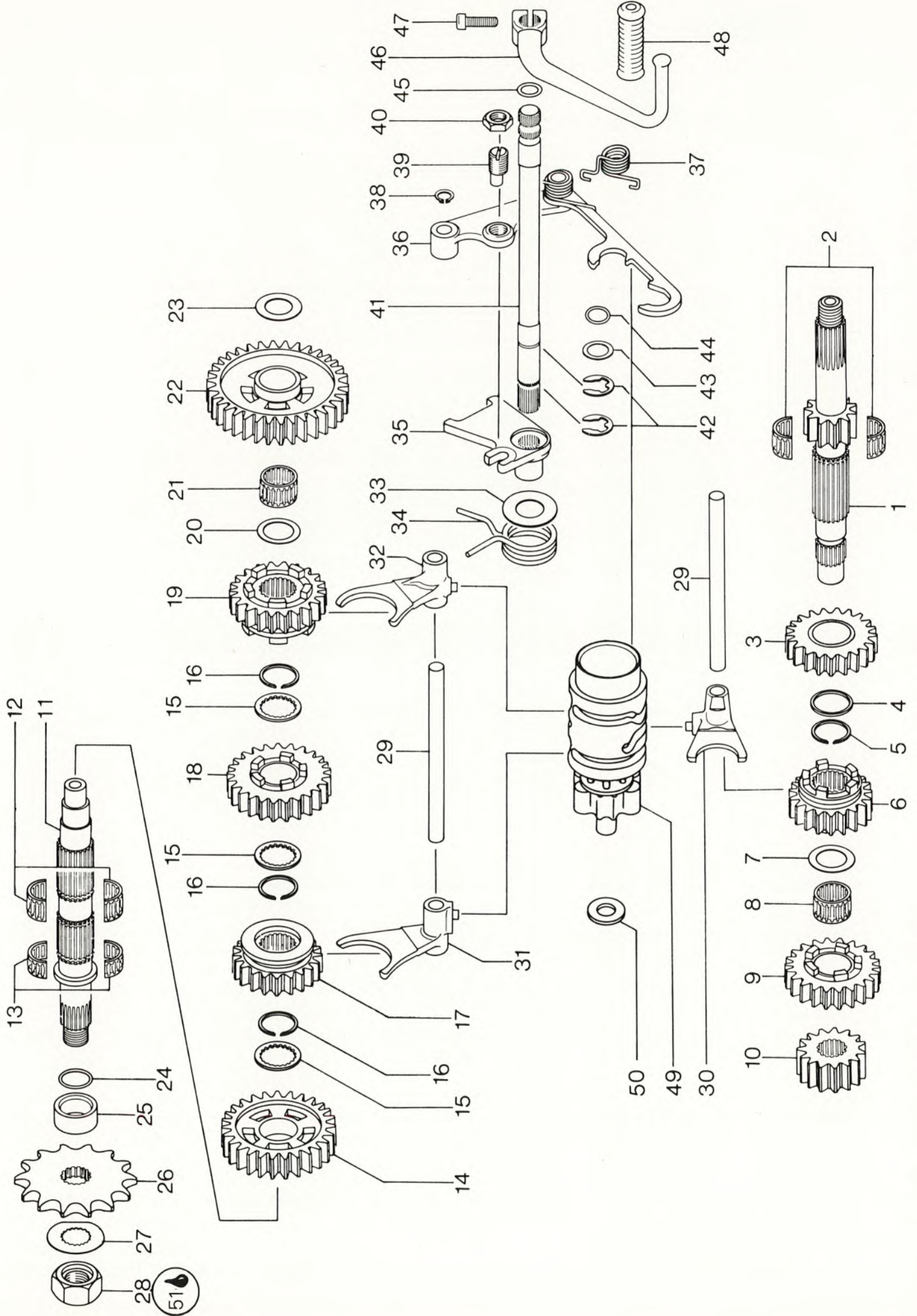
ITEM NO	PART NUMBER	DESCRIPTION	MX-11	MX-11
			125	175
1	N 420 237 465	Clutch Shaft, 12T.....	1	1
2	420 232 665	Needle Bearing Ass'y., Clutch Shaft..	1	1
3	420 234 885	Gear 6th, Clutch Shaft, 22T.....	1	1
4	420 227 470	Thrust Washer, Clutch Shaft.....	1	1
5	420 245 340	Snapping, Clutch Shaft.....	1	1
6	N 420 234 970	Gear 3rd/4th, Clutch Shaft, 17/19T...	1	1
7	420 227 440	Thrust Washer, Clutch Shaft.....	1	1
8	420 232 660	Needle Bearing Clutch Shaft.....	1	1
9	420 234 865	Gear 5th, Clutch Shaft, 21T.....	1	1
10	N 420 234 955	Gear 2nd, Clutch Shaft, 14T.....	1	1
11	420 237 415	Main Shaft.....	1	1
12	420 232 740	Needle Bearing Main Shaft.....	3	3
13	N 420 234 965	Gear 2nd, Main Shaft, 29T.....	1	1
14	420 227 460	Thrust Washer, Main Shaft.....	3	3
15	420 245 340	Snapping, Main Shaft.....	3	3
16	420 234 877	Gear 5th, Main Shaft, 23T.....	1	1
17	420 234 855	Gear 4th, Main Shaft, 25T.....	1	1
18	N 420 234 980	Gear 3rd, Main Shaft, 27T.....	1	1
19	420 234 897	Gear 6th, Main Shaft, 21T.....	1	1
20	420 944 466	Thrust Washer, Main Shaft.....	1	1
21	420 232 660	Needle Bearing Main Shaft.....	1	1
22	N 420 234 945	Gear 1st, Main Shaft, 32T.....	1	1
23	420 227 430	Thrust Washer, Main Shaft.....	1	1
24	420 230 400	O'Ring, Main Shaft.....	1	1
25	420 247 225	Spacer, Sprocket.....	1	1
26	420 236 950	Sprocket, 13T (Used With Chain Guard 420 297 330).....	1	1
	420 236 951	Sprocket, 14T (Used With Chain Guard 420 297 331).....	Opt	Opt
	420 236 952	Sprocket, 15T (Used With Chain Guard 420 297 332).....	Opt	Opt
27	420 245 320	Washer, Main Shaft Locking.....	1	1
28	420 242 600	Hex. Nut, M16 X 1.5, Main Shaft.....	1	1
29	420 258 540	Pin, Shift Fork Guide.....	2	2
30	420 258 535	Fork, Shifting 5 - 6.....	1	1
31	420 258 525	Fork, Shifting 2 - 4.....	1	1
32	420 258 515	Fork, Shifting 1 - 3.....	1	1
33	420 427 070	Thrust Washer, Transmission Actuating Lever.....	1	1
34	420 239 640	Spring, Transmission Actuating Lever.	1	1
35	420 258 575	Lever, Transmission Actuating.....	1	1
36	N 420 258 645	Pawl Ass'y.....	1	-
	420 258 507	Pawl Ass'y.....	-	1
37	420 239 650	Spring, Pawl.....	1	1
38	420 245 330	Snapping 10 X 1.....	1	1
39	420 241 805	Screw, Pawl Positioning.....	1	1
40	420 242 270	Hex. Nut, M12 X 1, Pawl Positioning Locking.....	1	1



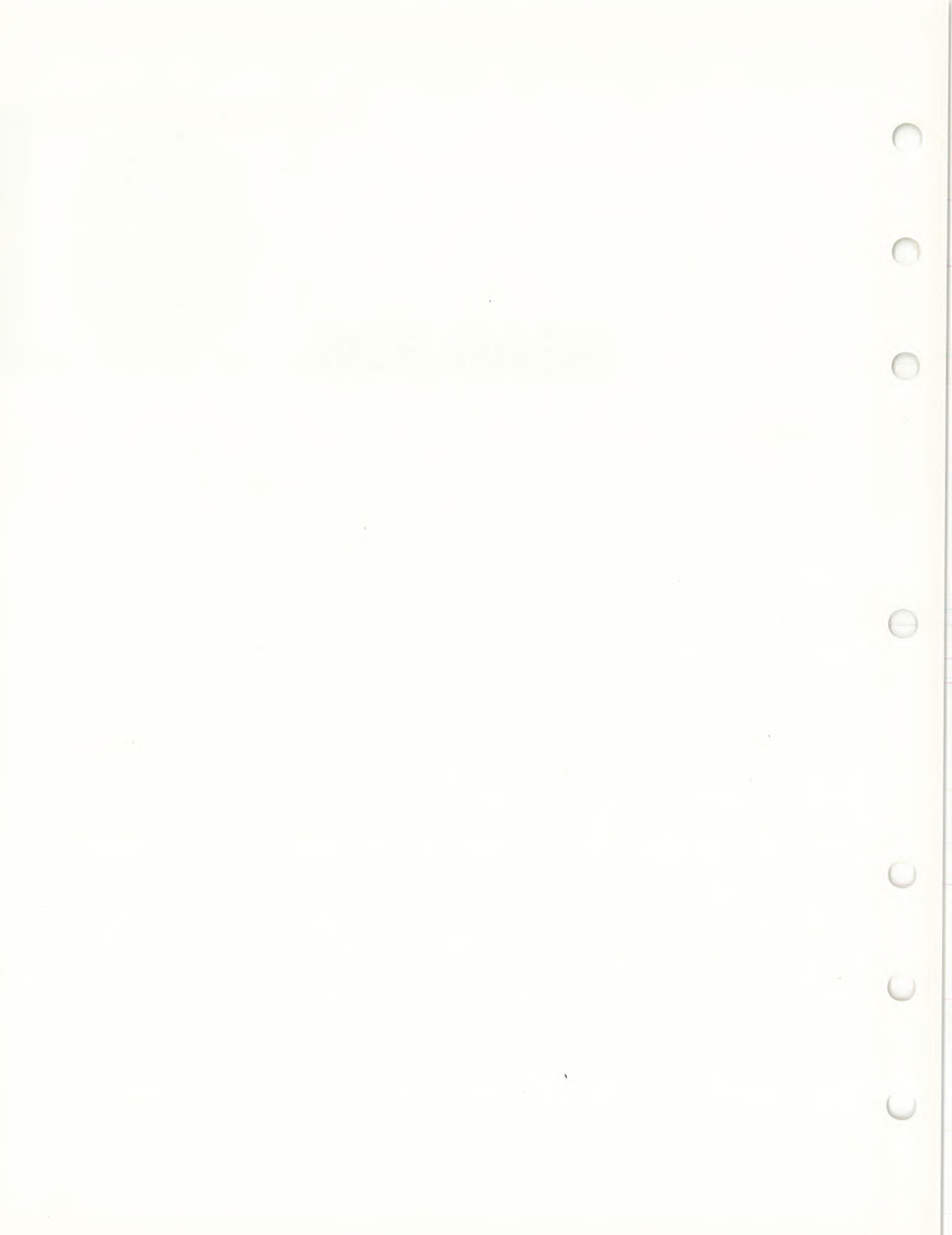
ITEM NO	PART NUMBER	DESCRIPTION	MX-11	MX-11
			125	175
41	420 237 436	Shift Shaft.....	1	1
42	420 945 790	Retaining Ring, Shift Shaft.....	2	2
43	420 944 851	Thrust Washer, Shift Shaft.....	1	1
44	420 230 451	O'Ring, Shift Shaft.....	1	1
45	420 430 110	O'Ring, Shift Shaft.....	1	1
46	420 248 781	Shift Lever.....	1	1
47	420 241 930	Screw, Allen Head, M6 X 20.....	1	1
48	420 260 200	Rubber, Shift Lever.....	1	1
49	N 420 258 655	Shift Drum Ass'y.....	1	-
	N 420 258 630	Shift Drum Ass'y.....	-	1
50	420 827 265	Washer, Shift Drum.....	1	1
51	747 020 000	Loctite No. 271.....	AR	AR



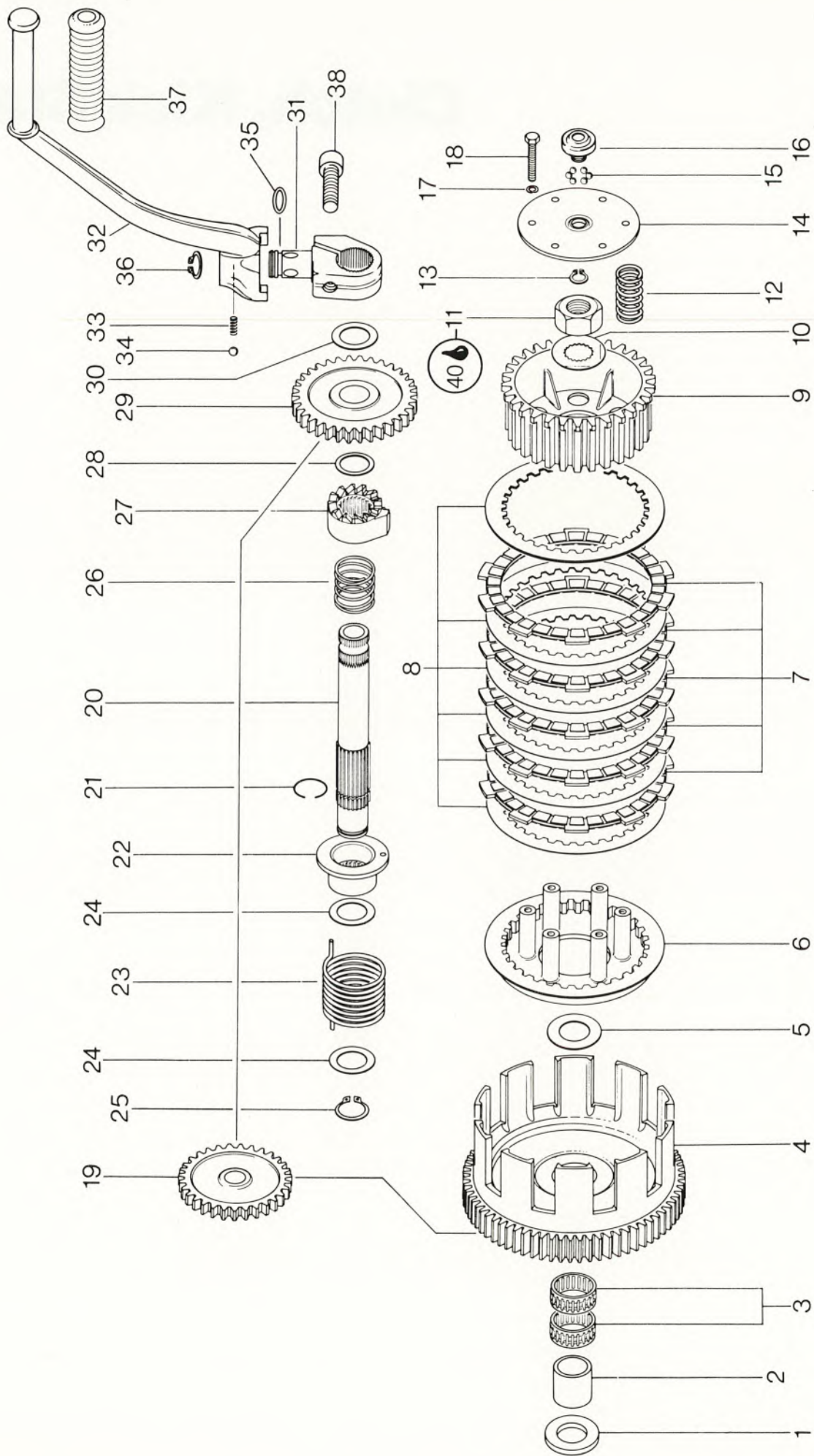
ITEM NO	PART NUMBER	DESCRIPTION	MX-11 250
1	420 237 470	Clutch Shaft, 13T.....	1
2	420 232 795	Needle Bearing Ass'y, Cltuch Shaft.....	2
3	420 235 080	Gear 4th, Clutch Shaft, 21T.....	1
4	420 227 475	Thrust Washer, Clutch Shaft.....	1
5	420 245 340	Snapping, Clutch Shaft.....	1
6	420 235 060	Gear 3rd, Clutch Shaft, 18T.....	1
7	420 227 440	Thrust Washer, Clutch Shaft.....	1
8	420 232 790	Needle Bearing, Clutch Shaft.....	1
9	420 235 100	Gear 5th, Clutch Shaft, 23T.....	1
10	420 235 140	Gear 2nd, Clutch Shaft, 16T.....	1
11	420 237 450	Main Shaft.....	1
12	420 232 800	Needle Bearing, Main Shaft.....	2
13	420 232 740	Needle Bearing, Main Shaft.....	2
14	420 235 150	Gear 2nd, Main Shaft, 28T.....	1
15	420 227 465	Thrust Washer, Main Shaft.....	3
16	420 245 340	Snapping, Main Shaft.....	3
17	420 235 110	Gear 5th, Main Shaft, 21T.....	1
18	420 235 070	Gear 3rd, Main Shaft, 25T.....	1
19	420 235 090	Gear 4th, Main Shaft, 23T.....	1
20	420 944 466	Thrust Washer, Main Shaft.....	1
21	420 232 790	Needle Bearing, Main Shaft.....	1
22	420 235 130	Gear 1st, Main Shaft, 31T.....	1
23	420 227 430	Thrust Washer, Main Shaft.....	1
24	420 230 400	O'Ring, Main Shaft.....	1
25	420 247 225	Spacer, Sprocket.....	1
26	420 236 952	Sprocket, 15T (Used With Chain Guard 420 297 332).....	Opt
	420 236 951	Sprocket, 14T (Used With Chain Guard 420 297 331).....	1
	420 236 950	Sprocket, 13T (Used With Chain Guard 420 297 330).....	Opt
27	420 245 320	Washer, Main Shaft Locking.....	1
28	420 242 600	Hex. Nut M16 X 1.5, Main Shaft.....	1
29	420 258 540	Pin, Shift Fork Guide.....	2
30	420 258 600	Fork, Shifting 4-5.....	1
31	420 258 590	Fork, Shifting 2.....	1
32	420 258 580	Fork, Shifting 1-3.....	1
33	420 427 070	Thrust Washer, Transmission Actuating Lever.....	1
34	420 239 640	Spring, Transmission Actuating Lever.....	1
35	420 258 575	Lever, Transmission Actuating.....	1
36	420 258 507	Pawl Ass'y.....	1
37	420 239 650	Spring, Pawl.....	1
38	420 245 330	Snapping 10 X 1.....	1
39	420 241 805	Screw, Pawl Positioning.....	1
40	420 242 270	Hex. Nut M12 X 1, Pawl Positioning Locking.....	1



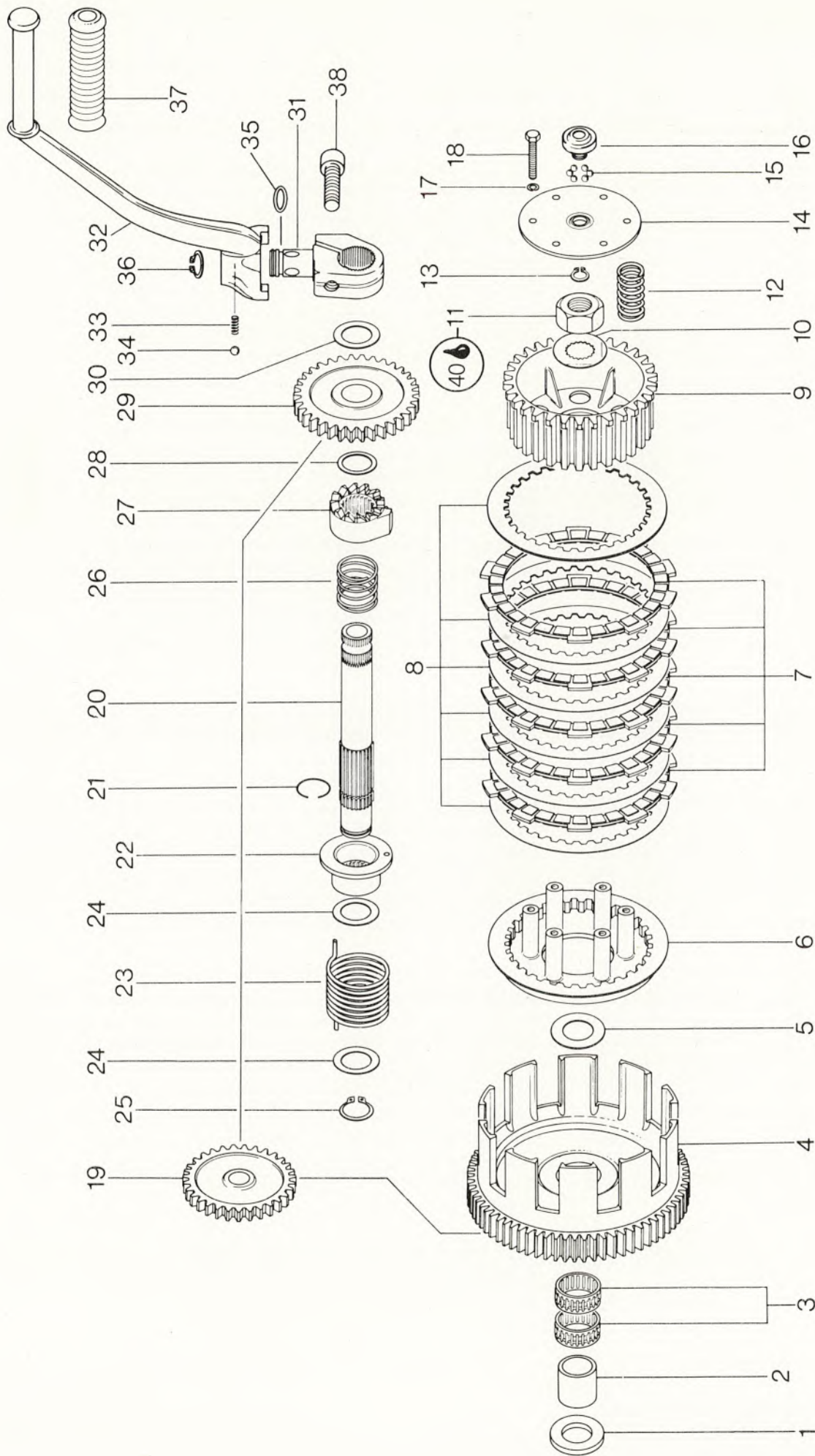
ITEM NO	PART NUMBER	DESCRIPTION	MX-11 250
41	420 237 436	Shift Shaft.....	1
42	420 945 790	Retaining Ring, Shift Shaft.....	2
43	420 944 851	Thrust Washer, Shift Shaft.....	1
44	420 230 451	O'Ring, Shift Shaft.....	1
45	420 430 110	O'Ring, Shift Shaft.....	1
46	420 248 781	Shift Lever.....	1
47	420 241 930	Screw, Allen Head, M6 X 20.....	1
48	420 260 200	Rubber, Shift Lever.....	1
49	N 420 258 635	Shift Drum Ass'y.....	1
50	420 827 265	Washer, Shift Drum.....	1
51	747 020 000	Loctite No 271.....	AR



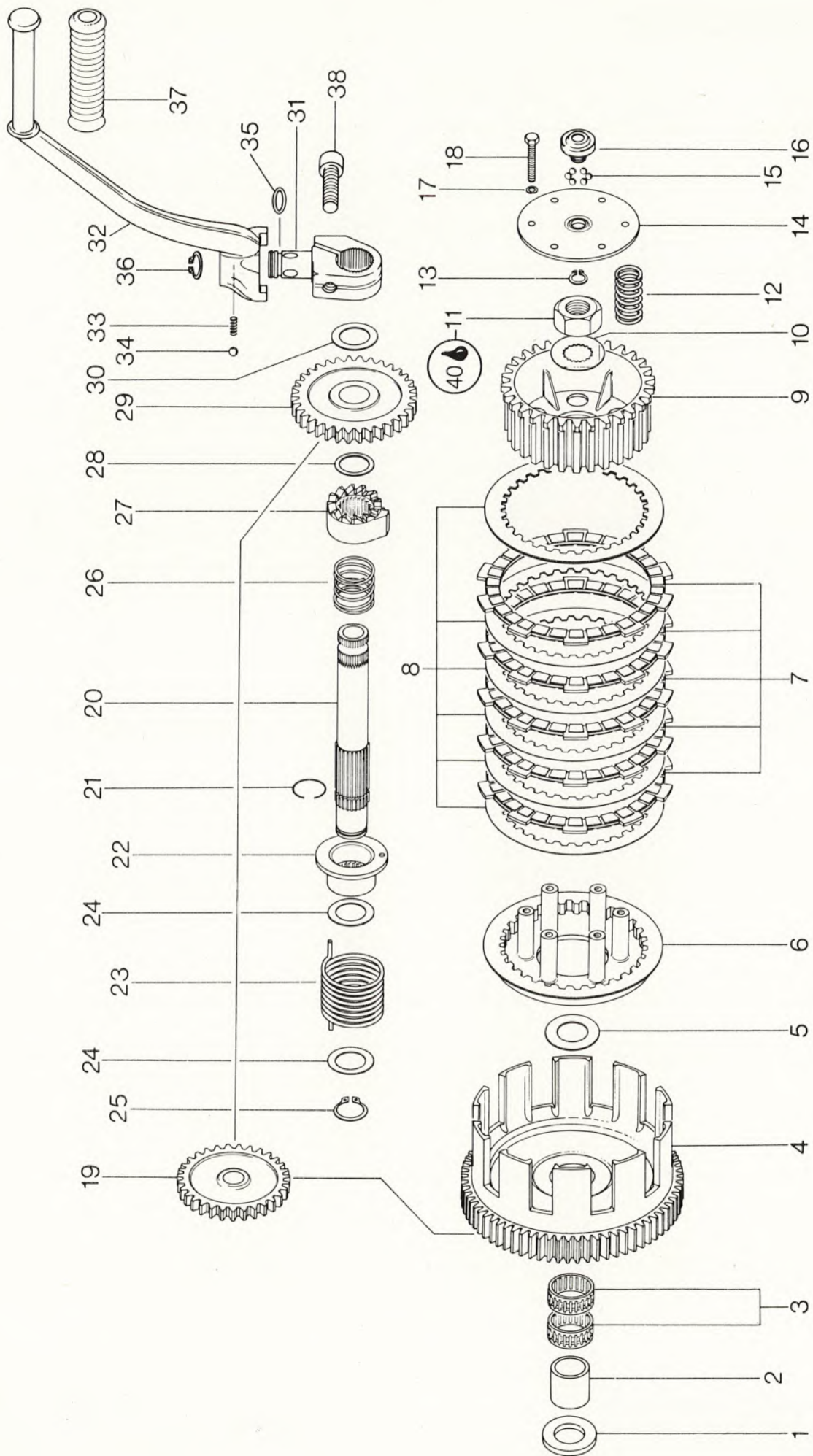
Clutch, Kick Start



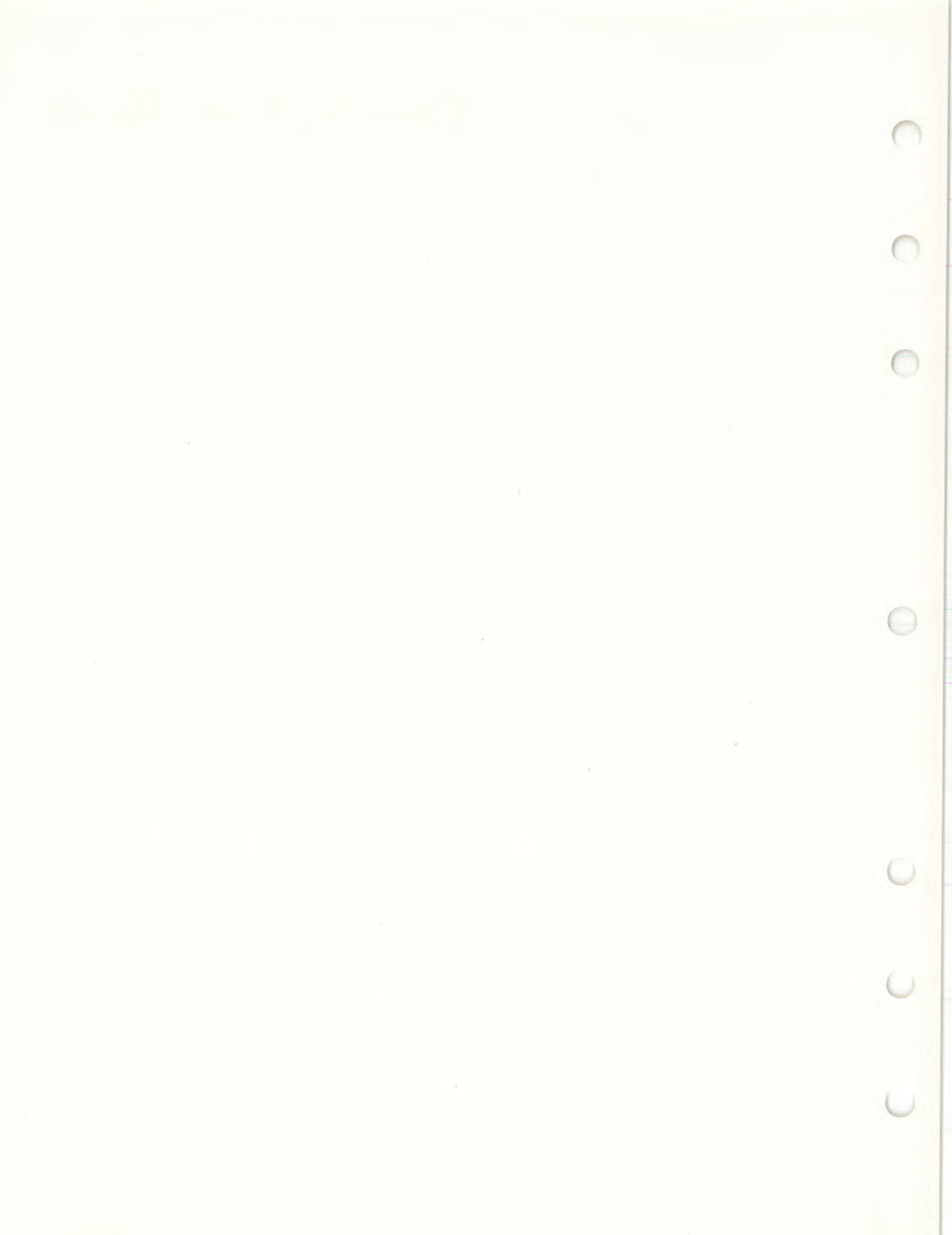
ITEM NO	PART NUMBER	DESCRIPTION	MX-11	MX-11
			125	175
1	420 227 600	Thrust Washer, Inner, Clutch Drum....	1	1
2	420 232 700	Inner Race, Clutch Drum.....	1	1
3	420 232 650	Needle Bearing, Clutch Drum.....	2	2
4	N 420 291 593	Drive Gear With Clutch Drum Ass'y (Replace Only Drive Gear With Clutch Drum Ass'y., See Also Section... Page ...Item....)	1	1
5	420 227 590	Thrust Washer, Outer, Clutch Drum...	1	1
6	420 259 570	Plate, Clutch, Inner Pressure.....	1	1
7	420 259 560	Plate, Clutch, Friction.....	5	4
8	420 259 555	Plate, Clutch, Outer Pressure.....	6	6
9	420 259 542	Clutch Hub.....	1	1
10	420 245 320	Washer, Transmission Shaft Locking...	1	1
11	420 242 600	Hex. Nut, M16 X 1.5, Transmission Shaft.....	1	1
12	420 239 625	Spring, Clutch (Change Springs Only Setwise), For Engine Type 124 Only...	6	-
	420 239 628	Spring, Clutch (Change Springs Only Setwise), For Engine Type 174 Only...	-	6
13 - 16	420 259 596	Plate, Clutch Spring Retaining, w/Hub Ass'y.....	1	1
13	420 245 330	Snapping 10 X 1.....	1	1
14	420 259 590	Plate, Clutch Spring Retaining.....	1	1
15	420 932 990	Ball 5/32".....	12	12
16	420 259 705	Hub, Clutch Spring Retaining.....	1	1
17	420 945 750	Lockwasher, 5 mm.....	6	6
18	420 241 770	Screw, Hex. Head, M5 X 25.....	6	6
19	N 420 235 205	Gear, Kick Start Idler, 31T.....	1	1
20	N 420 237 425	Kick Start Shaft.....	1	1
21	420 245 350	Circlip, Kick Start Shaft.....	1	1
22	420 228 195	Retaining Hub, Kick Start Spring.....	1	1
23	420 239 381	Spring, Kick Start Return.....	1	1
24	420 944 466	Thrust Washer.....	2	2
25	420 945 660	Snapping, Kick Start Shaft.....	1	1
26	420 239 610	Spring, Kick Start Ratchet Engagement	1	1
27	420 228 180	Ratchet Gear, Kick Start.....	1	1
28	420 227 480	Thrust Washer, Kick Gear.....	1	1
29	N 420 235 215	Gear, Kick Start Drive, 34T.....	1	1
30	420 944 466	Thrust Washer, Kick Start.....	1	1
31 - 37	420 248 796	Lever Ass'y., Kick Start.....	1	1
31	420 248 800	Hub, Kick Start (Execution Without O'Ring Groove).....	1	1
	N 420 248 805	Hub, Kick Start (Execution With O'Ring Groove).....	1	1
32	420 248 791	Lever, Kick Start (For Kick Start Hub Without O'Ring Groove Only).....	1	1



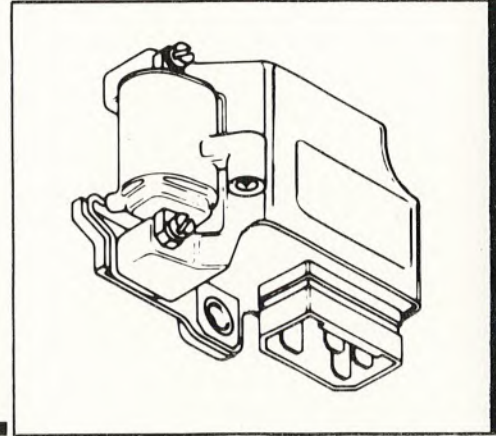
ITEM NO	PART NUMBER	DESCRIPTION	MX-11 125	MX-11 175
32	N 420 248 793	Lever, Kick Start (For Kick Start Hub With O'Ring Groove Only).....	1	1
33	420 239 535	Spring, Kick Start Lever.....	1	1
34	420 232 440	Ball 7/32", Kick Start Lever.....	1	1
35	N 420 230 461	O'Ring (For Kick Start Hub With O'Ring Groove Only).....	1	1
36	420 945 840	Snapping, Kick Start Lever.....	1	1
37	420 260 210	Rubber Sleeve, Kick Start.....	1	1
38	420 241 991	Screw, Hex Head, M8 X 28 (For Kick Start Hub And Kick Start Lever, Execution Without O'Ring Only).....	1	1
38	N 420 840 991	Cyl. Screw, M8 X 30 (For Kick Start Hub And Kick Start Lever, Execution With O'Ring Only).....	1	1
40	747 020 000	Loctite No. 271.....	AR	AR

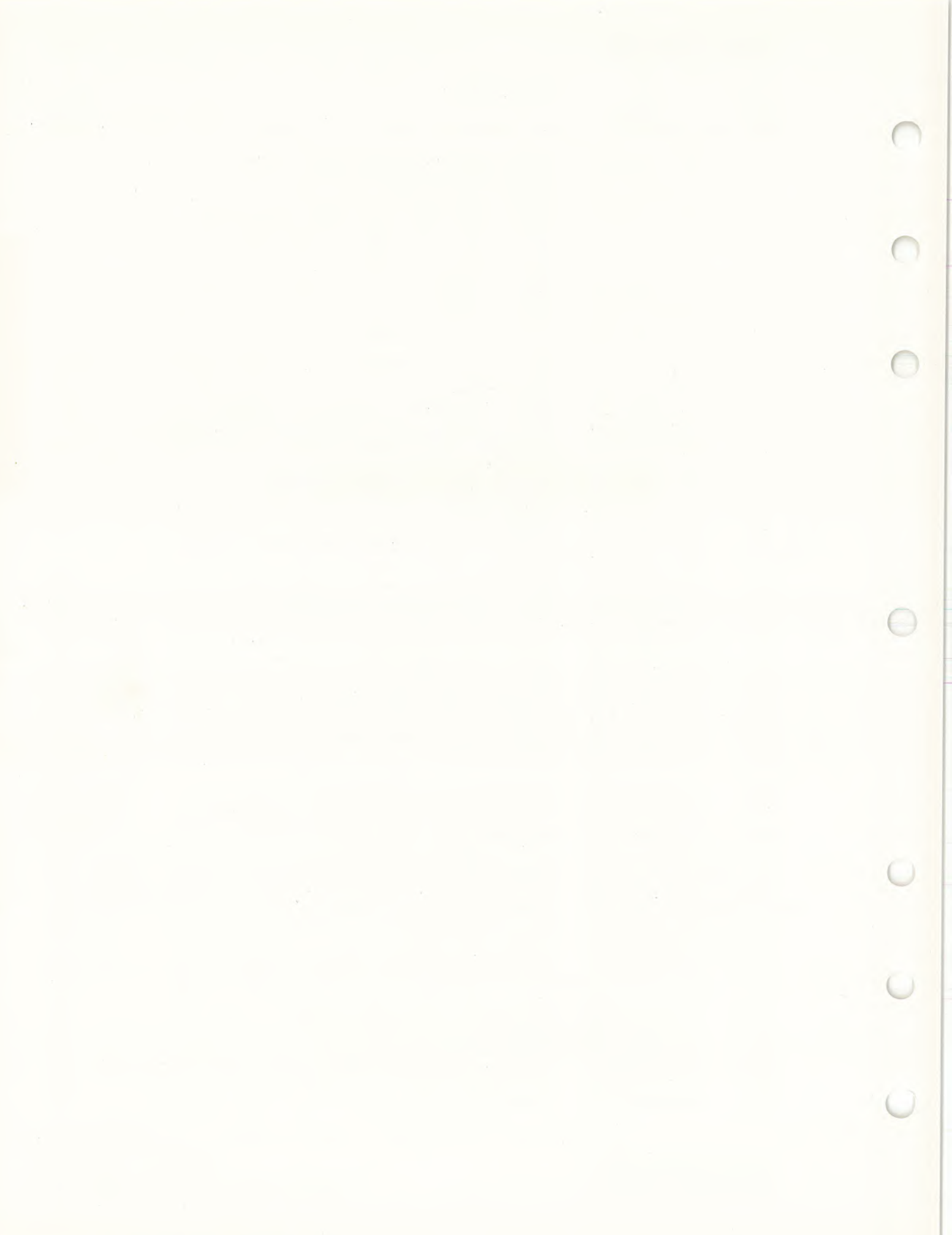


ITEM NO	PART NUMBER	DESCRIPTION	MX-11 250
1	420 227 600	Thrust Washer, Inner, Clutch Drum.....	1
2	420 232 700	Inner Race, Clutch Drum.....	1
3	420 232 650	Needle Bearing, Clutch Drum.....	2
4	N 420 291 598	Drive Gear With Clutch Drum Ass'y (Re- place Only Drive Gear With Clutch Drum Ass'y., See Also Page..... No.....	1
5	420 227 590	Thrust Washer, Outer, Clutch Drum.....	1
6	420 259 570	Plate, Clutch, Inner Pressure.....	1
7	420 259 560	Plate, Clutch, Friction.....	6
8	420 259 557	Plate, Clutch Driven.....	5
9	420 252 555	Plate, Clutch, Outer Pressure.....	1
10	420 259 540	Clutch Hub.....	1
11	420 245 320	Washer, Transmission Shaft Locking.....	1
12	420 242 600	Hex. Nut M16 X 1.5, Transmission Shaft...	1
13	420 239 628	Spring, Clutch (Change Springs Only Setwise).....	6
14 to 17	420 259 596	Plate, Clutch Spring Retaining, w/Hub Ass'y.....	1
14	420 245 330	Snapping 10 X 1.....	1
15	420 259 590	Plate, Clutch Spring Retaining.....	1
16	420 932 990	Ball 5/32".....	12
17	420 259 705	Hub, Clutch Spring Retaining.....	1
18	420 945 750	Lockwasher 5 mm.....	6
19	420 241 770	Screw, Hex. Head, M5 X 25.....	6
20	N 420 235 205	Gear, Kick Start Idler, 31T.....	1
21	420 237 425	Kick Start Shaft.....	1
22	420 245 350	Circlip, Kick Start Shaft.....	1
23	420 228 195	Retaining Hub, Kick Start Spring.....	1
24	420 239 381	Spring, Kick Start Return.....	1
25	420 944 466	Thrust Washer.....	2
26	420 945 660	Snapping, Kick Start Shaft.....	1
27	420 239 610	Spring, Kick Start Ratchet Engagement....	1
28	420 228 180	Ratchet Gear, Kick Start.....	1
29	420 227 480	Thrust Washer, Kick Gear.....	1
30	N 420 235 215	Gear, Kick Start Drive, 34T.....	1
31	420 944 466	Thrust Washer, Kick Start.....	1
32 to 38	N 420 248 798	Lever Ass'y, Kick Start.....	1
32	N 420 248 805	Hub, Kick Start.....	1
33	N 420 248 793	Lever, Kick Start.....	1
34	420 239 535	Spring, Kick Start Lever.....	1
35	420 232 440	Ball 7/32", Kick Start Lever.....	1
36	420 945 840	Snapping, Kick Start Lever.....	1
37	420 260 210	Rubber Sleeve, Kick Start.....	1
38	420 230 461	O'Ring, Kick Start Hub.....	1
39	420 840 991	Screw, Hex. Head, M8 X 30.....	1
40	747 020 000	Loctite No 271.....	AR

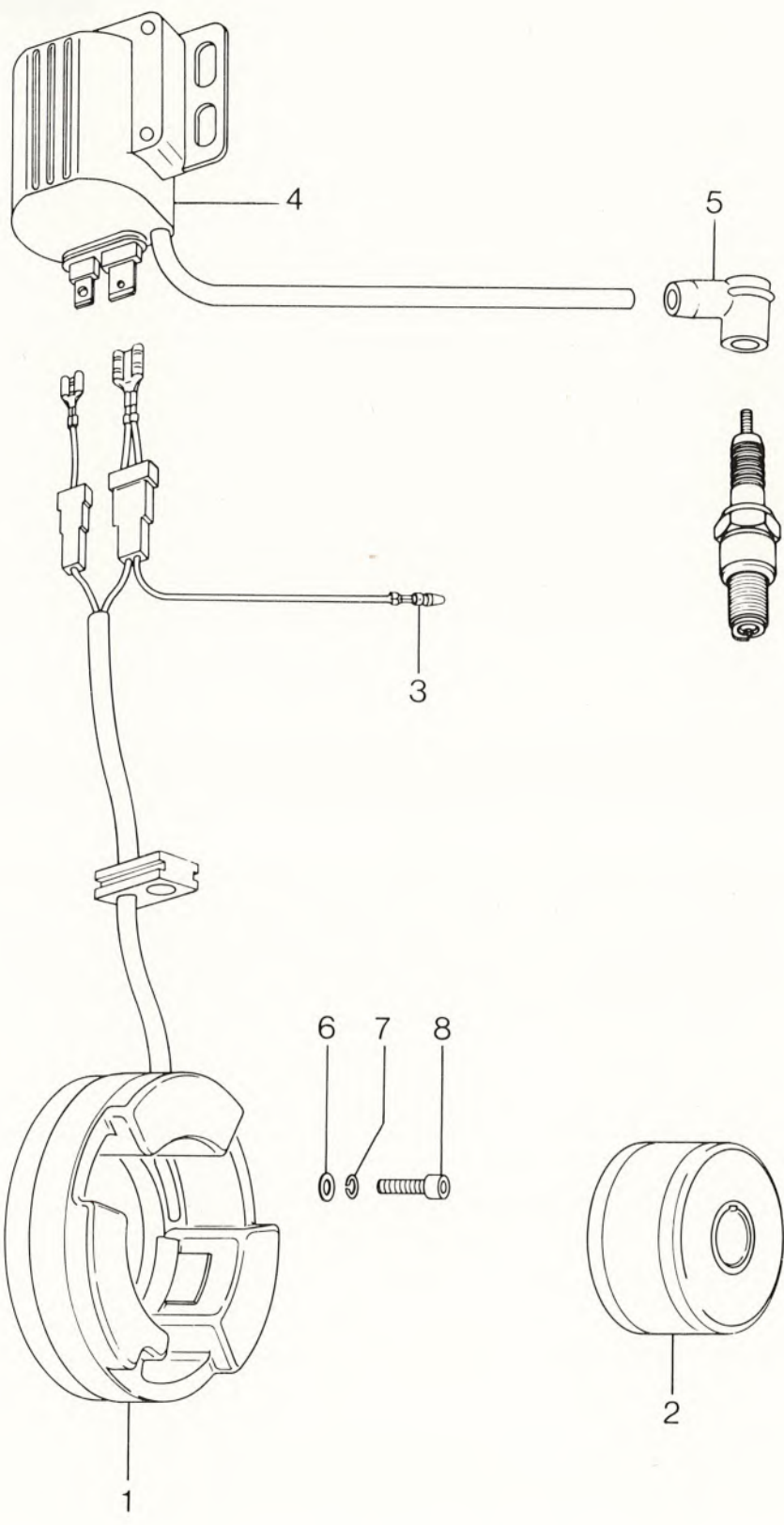


ELECTRICAL

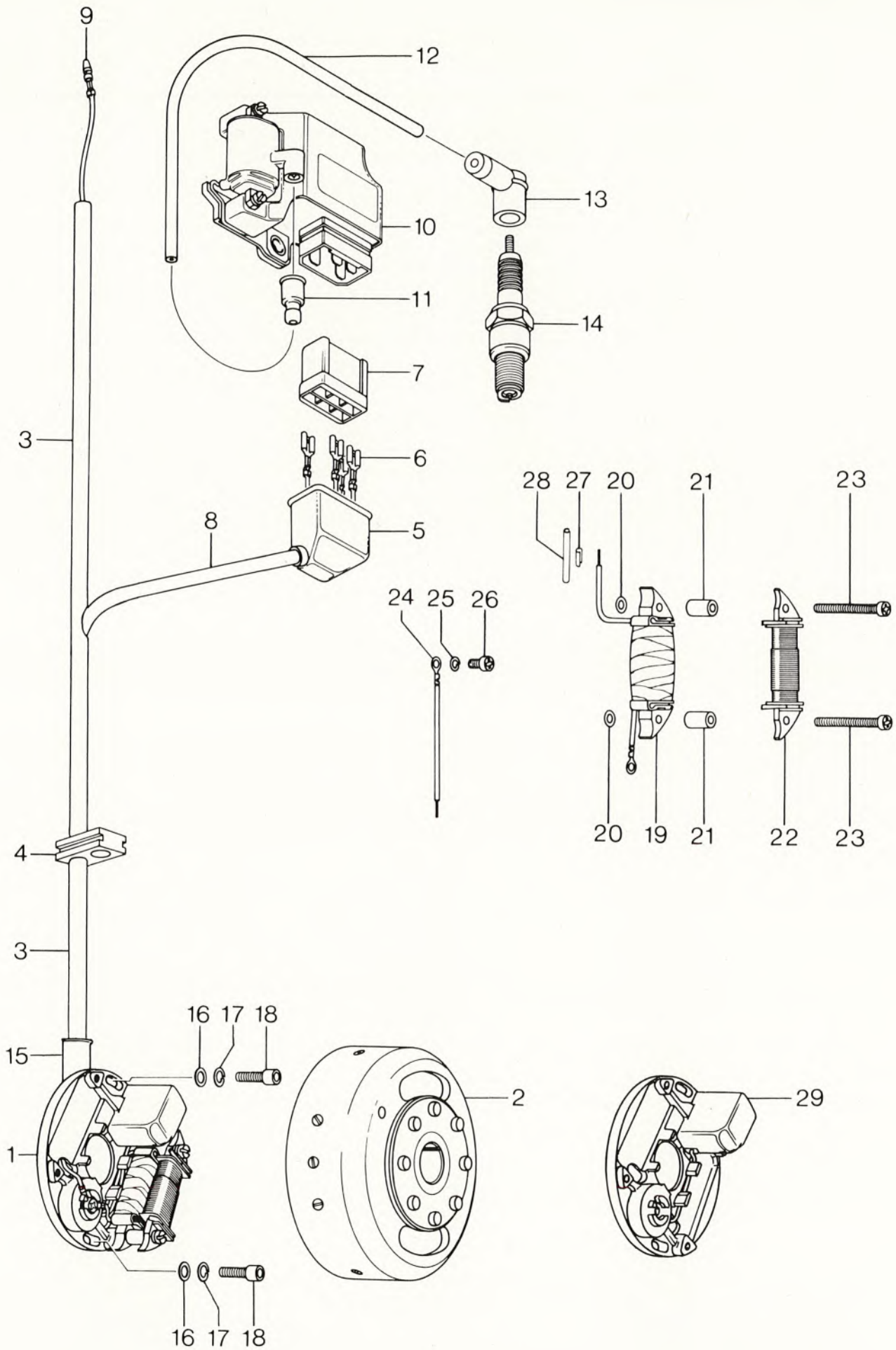




Magneto

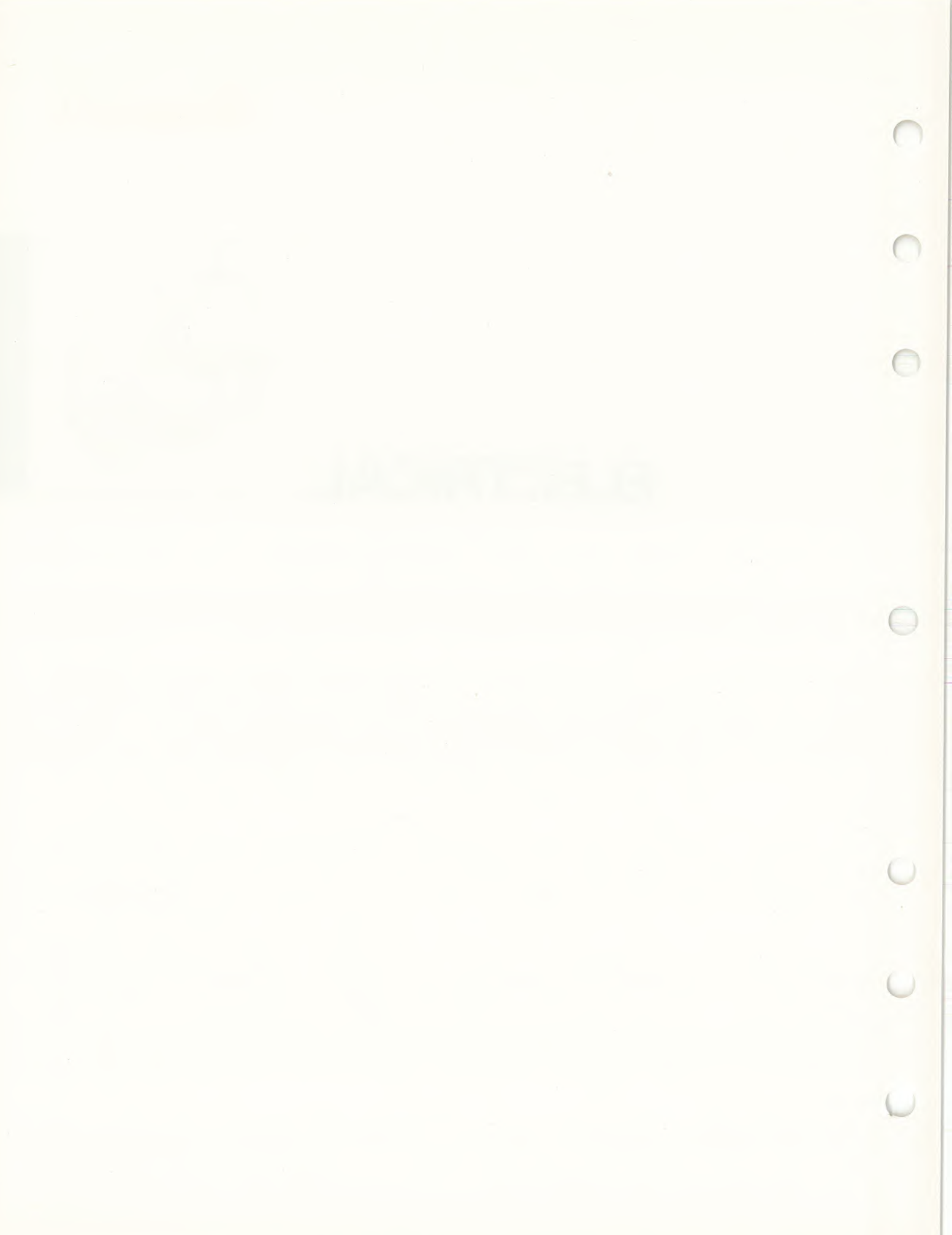


ITEM NO	PART NUMBER	DESCRIPTION	MX-11	MX-11
			125	175
1 to 3	N 420 291 741	MOTOPLAT, Ignition Unit Ass'y.....	1	1
3	420 964 062	Contact Pin.....	1	1
4	N 420 264 590	Ignition Coil.....	1	1
5	N 420 865 200	Spark Plug Protector.....	1	1
6	420 927 570	Washer, 5.3 mm.....	3	3
7	420 945 750	Lockwasher, 5 mm.....	3	3
8	420 240 180	Cylinder Screw M5 X 20.....	3	3
9	420 899 740	Spark Plug, N2G.....	Opt	Opt
	420 899 750	Spark Plug, N57G.....	1	1
	420 899 760	Spark Plug, N59G.....	Opt	Opt

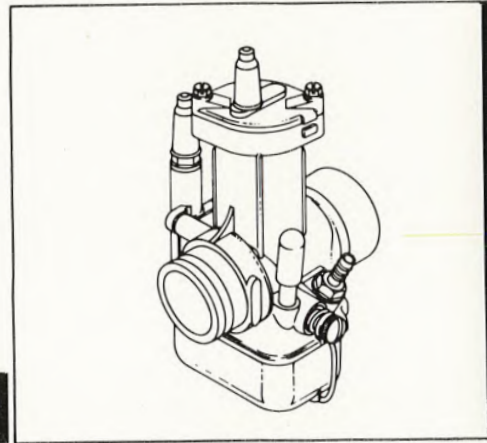


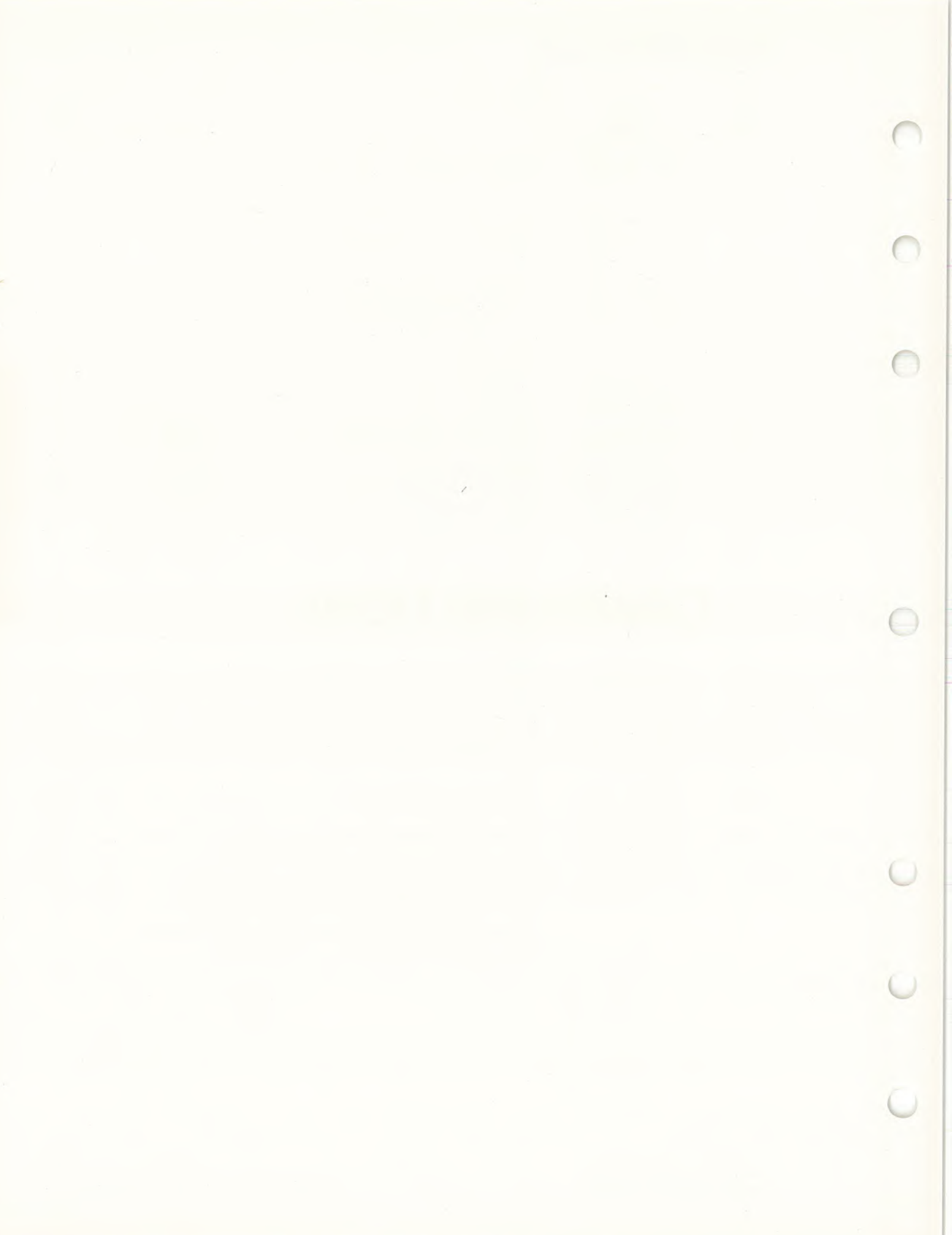
ITEM NO	PART NUMBER	DESCRIPTION	MX-11 250
1 to 13	420 291 453	Magneto Generator Ass'y.....	1
1	420 291 463	Stator Plate Ass'y.....	1
3 to 9		" " "	
2	420 291 405	Flywheel.....	1
3	420 260 464	Protection Hose 400 mm.....	1
4	420 260 345	Cable Grommet.....	1
5	420 960 791	Protection Cap.....	1
6	420 864 011	Tab Receptacle Straight.....	4
7	420 865 455	Connector Housing.....	1
8	420 260 462	Protection Hose 185 mm.....	1
9	420 964 062	Contact Pin.....	1
10	420 264 470	Electronic Box.....	1
11	420 960 360	Protection Cap.....	1
12	420 265 745	Ignition Cable 440 mm.....	1
13	420 865 205	Spark Plug Protector.....	1
14	420 899 740	Spark Plug N2G.....	Opt
	420 899 750	Spark Plug N57G.....	Opt
	420 899 760	Spark Plug N59G.....	1
15	420 224 030	Holder, Cables.....	1
16	420 927 570	Washer 5.3 mm.....	2
17	420 945 750	Lockwasher 5 mm.....	2
18	420 840 510	Screw M5 X 16, Allen Head.....	2
19	420 264 517	Charging Coil With Wire, With 4 Washers (See Note).....	1
20	420 244 072	Washer 4.3 mm (See Note).....	4
21	420 247 260	Distance Sleeve 10.5 mm.....	1
22	420 264 505	Brake Light Coil.....	1
23	420 841 025	Cylinder Screw, M4 X 28.....	2
24	420 965 700	Ring Tongue Terminal M4.....	1
25	420 945 758	Lockwasher 4 mm.....	1
26	420 941 271	Cylinder Screw, M4 X 6.....	1
27	420 264 530	Wire Splice.....	7
28	420 260 411	Protection Hose 25 mm.....	7
29	420 264 560	Stator Plate Alone (Trigger Plate).....	1

NOTE: Washer 4.3 (Install Between Armature Plate And Charging Coil, When Bosses On Stator Plate Are 10.5 mm High. Not Needed When Bosses are Approx. 12 mm High.

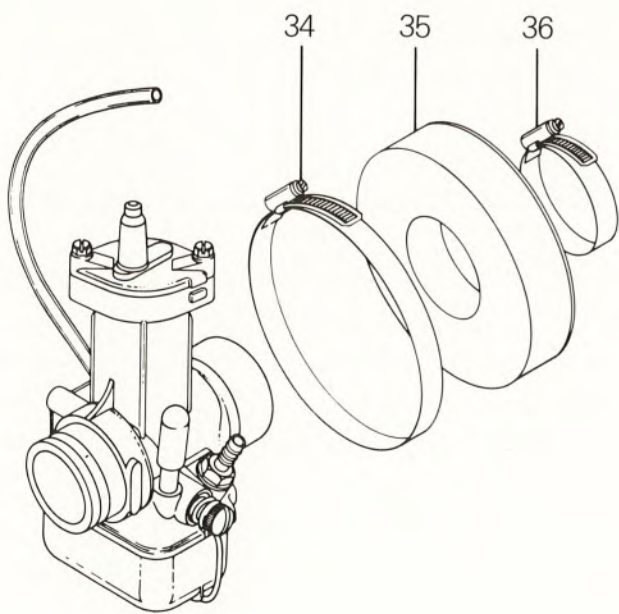
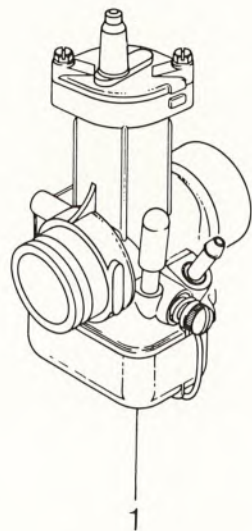
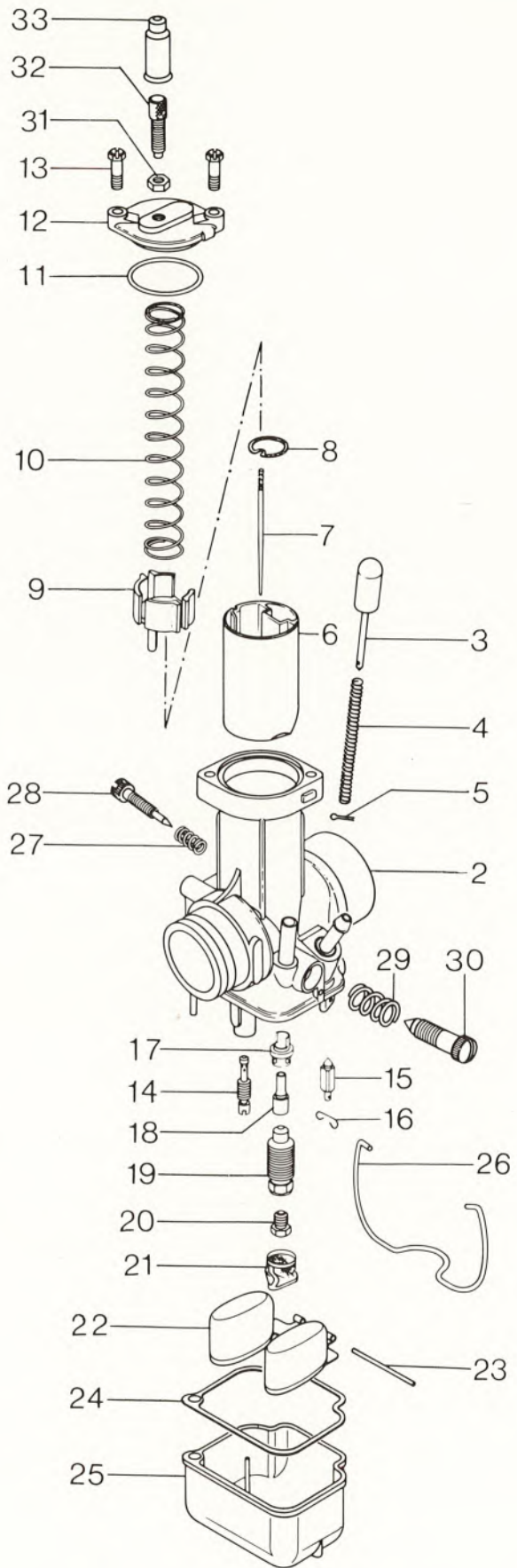


CARBURETION

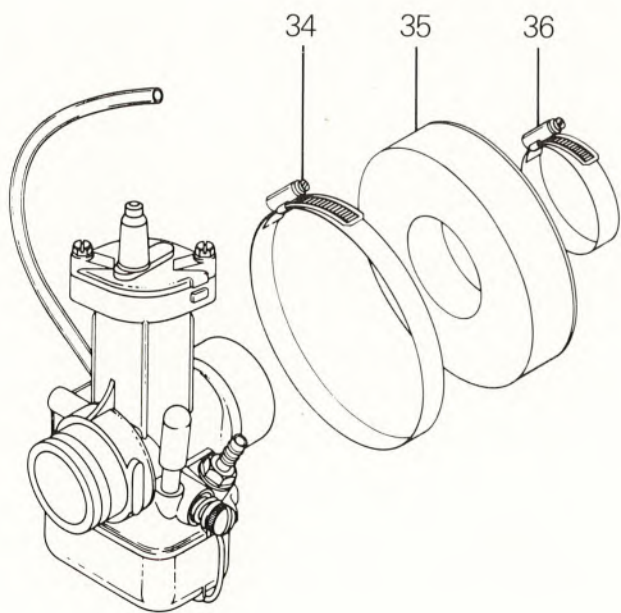
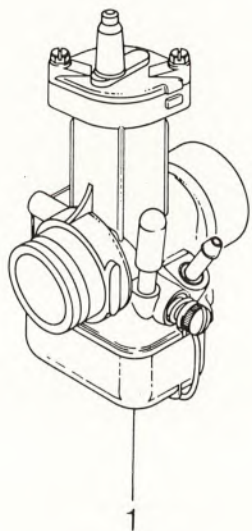
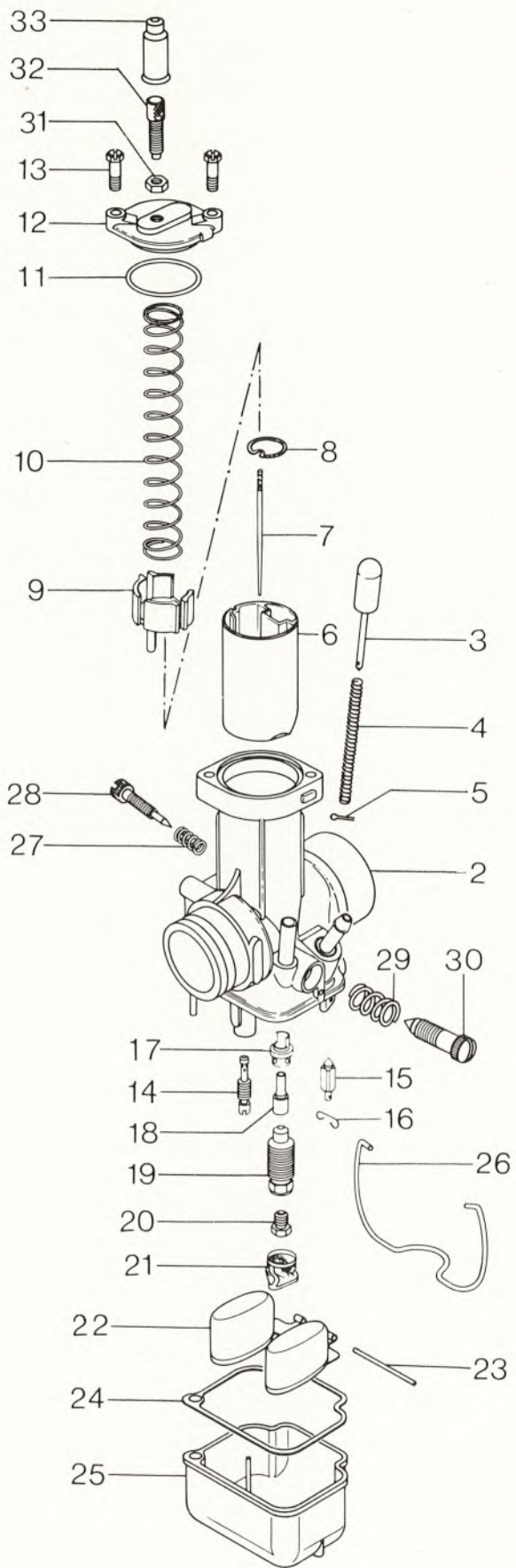




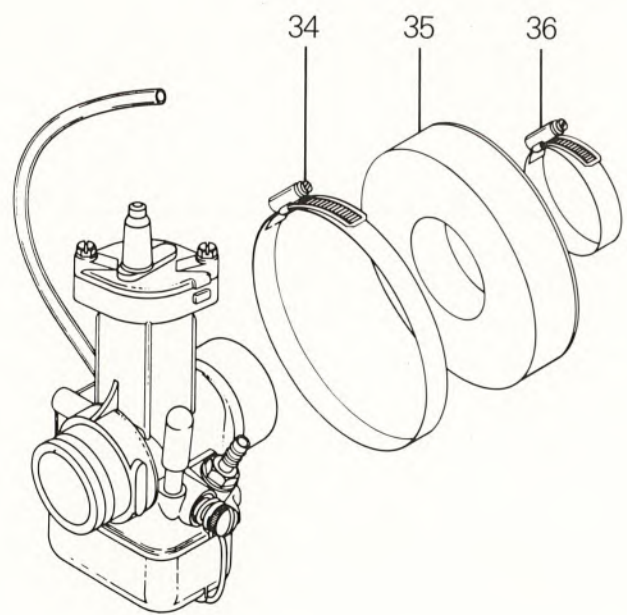
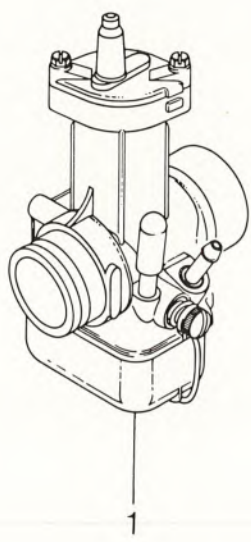
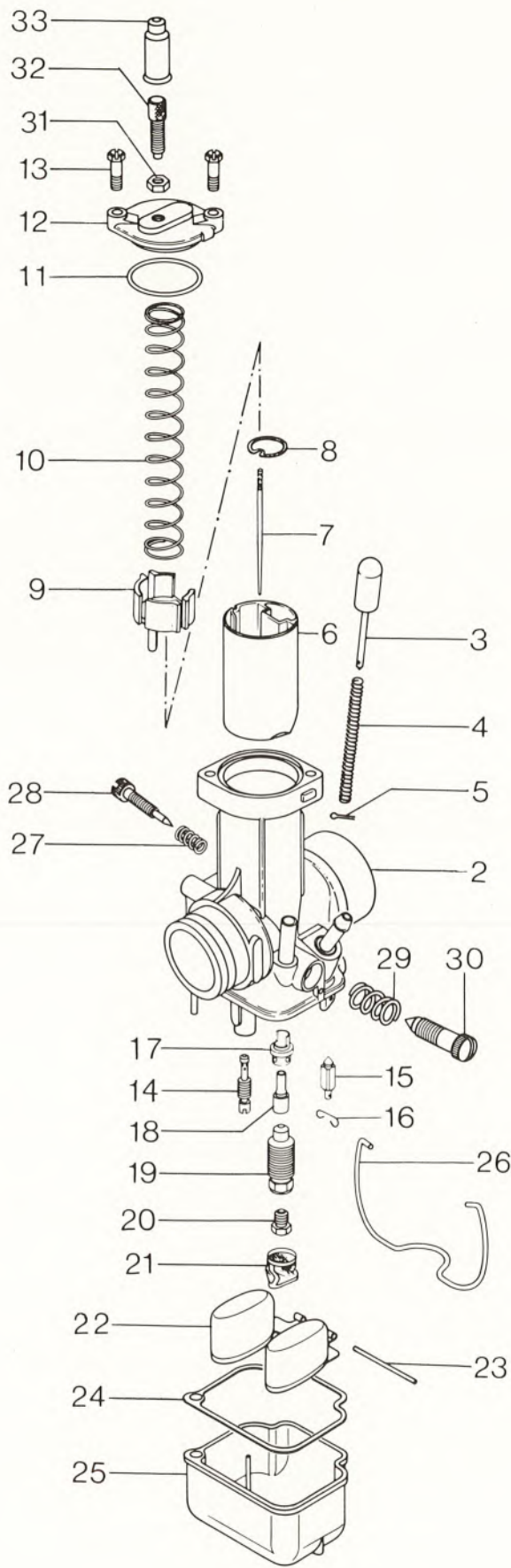
Carburetor



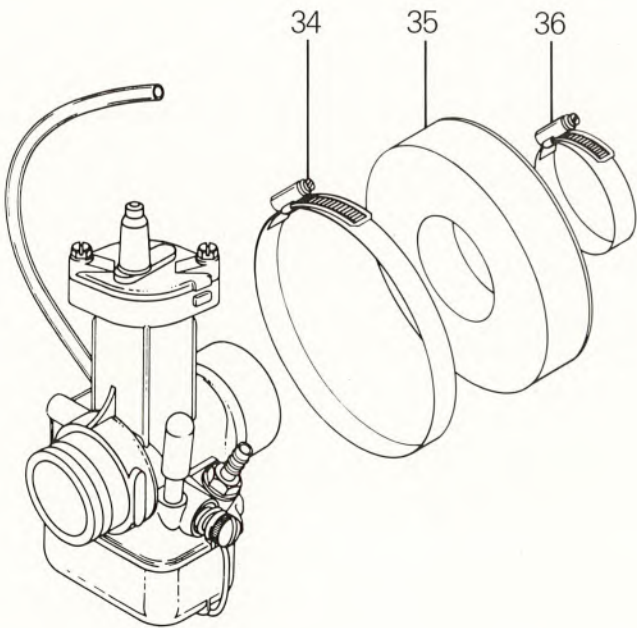
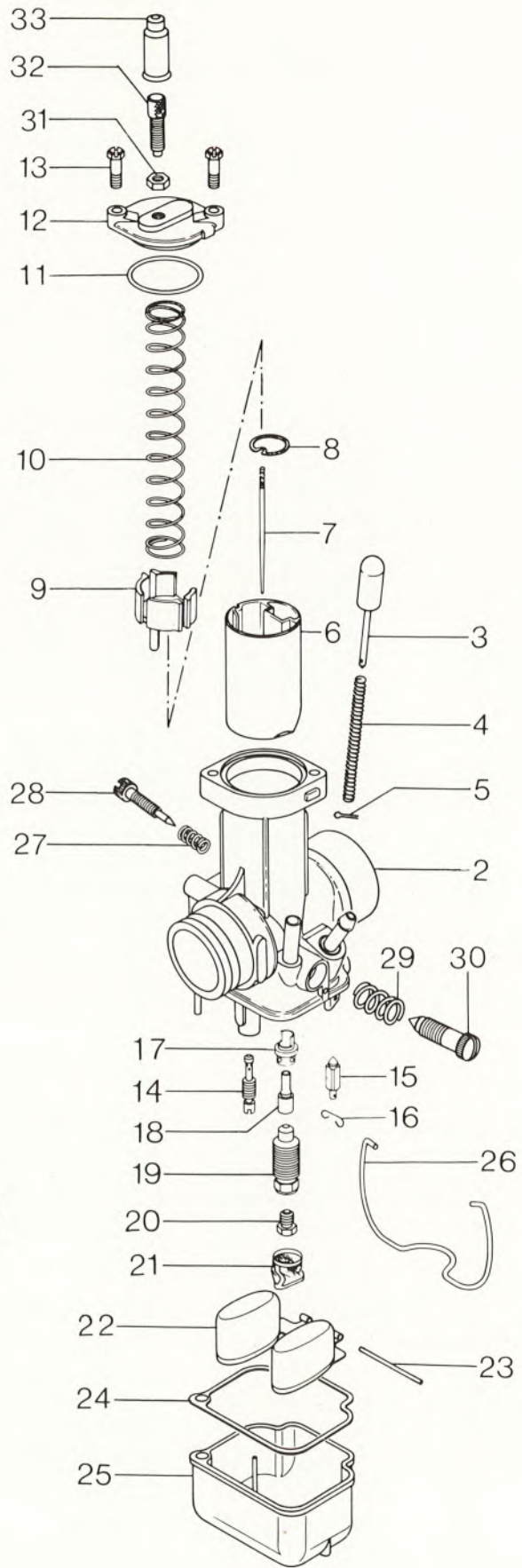
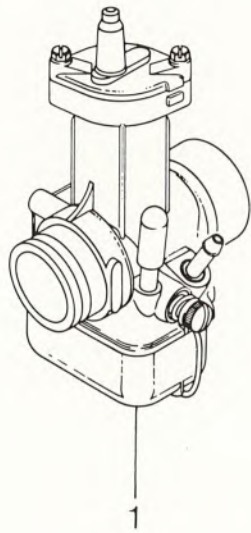
ITEM NO	PART NUMBER	DESCRIPTION	MX-11	MX-11
			125	175
1	420 291 441	Bind Double Float Carburetor 1/32/104	1	1
2	420 261 590	Carburetor Housing Ass'y.....	1	1
3	420 963 090	Carburetor Primer.....	1	1
4	420 938 100	Spring, Tickler.....	1	1
5	420 245 240	Splint Pin, Primer.....	1	1
6	420 261 631	Carburetor Piston (# 1 Chrome).....	1	1
7	420 261 640	Jet Needle (1 Identifying Ring).....	Opt	Opt
	420 261 641	Jet Needle (4 Identifying Ring).....	1	1
8	420 261 650	Holding Plate.....	1	1
9	420 227 635	Plastic Spring Cup.....	1	1
10	420 239 700	Spring, Carburetor Piston.....	1	1
11	420 261 670	Rubber Ring.....	1	1
12	420 261 660	Cover Plate.....	1	1
13	420 241 430	Hex. Screw, M5 X 12.....	2	2
14	420 963 141	Idler Jet 30.....	Opt	Opt
	420 963 142	Idler Jet 40.....	1	1
15	420 261 700	Float Needle.....	1	1
16	420 261 710	Clip, Float Needle.....	1	1
17	420 261 692	Diffuser (6 mm High) (5 mm Cutaway)..	1	1
	420 261 690	Diffuser (5 mm High/No Cutaway).....	Opt	Opt
18	420 261 608	Needle Jet 2.70.....	1	1
	420 261 605	Needle Jet 2.73.....	Opt	Opt
	420 261 600	Needle Jet 2.76.....	Opt	Opt
19	420 963 130	Mixing Tube.....	1	1
20	420 268 983	Main Jet 150.....	Opt	Opt
	420 268 984	Main Jet 155.....	1	1
	420 268 979	Main Jet 130.....	Opt	Opt
	420 268 980	Main Jet 135.....	Opt	Opt
	420 268 981	Main Jet 140.....	Opt	Opt
	420 268 982	Main Jet 145.....	Opt	Opt
	420 268 985	Main Jet 160.....	Opt	Opt
	420 268 986	Main Jet 165.....	Opt	Opt
	420 268 987	Main Jet 170.....	Opt	Opt
	420 268 988	Main Jet 175.....	Opt	Opt
	420 268 989	Main Jet 180.....	Opt	Opt
21	420 261 620	Sieve Sleeve.....	1	1
22	420 963 190	Float.....	1	1
23	420 929 700	Pin.....	1	1
24	420 830 720	Gasket, Float Chamber.....	1	1
25	420 261 610	Float Chamber.....	1	1
26	420 963 180	Spring Clip.....	1	1
27	420 939 880	Spring, Air Regulating Screw.....	1	1
28	420 963 150	Air Regulating Screw.....	1	1
29	420 938 640	Spring, Adjustment Screw.....	1	1
30	420 963 160	Adjustment Screw.....	1	1
31	420 942 540	Hex. Nut, M6 X 0.75.....	1	1



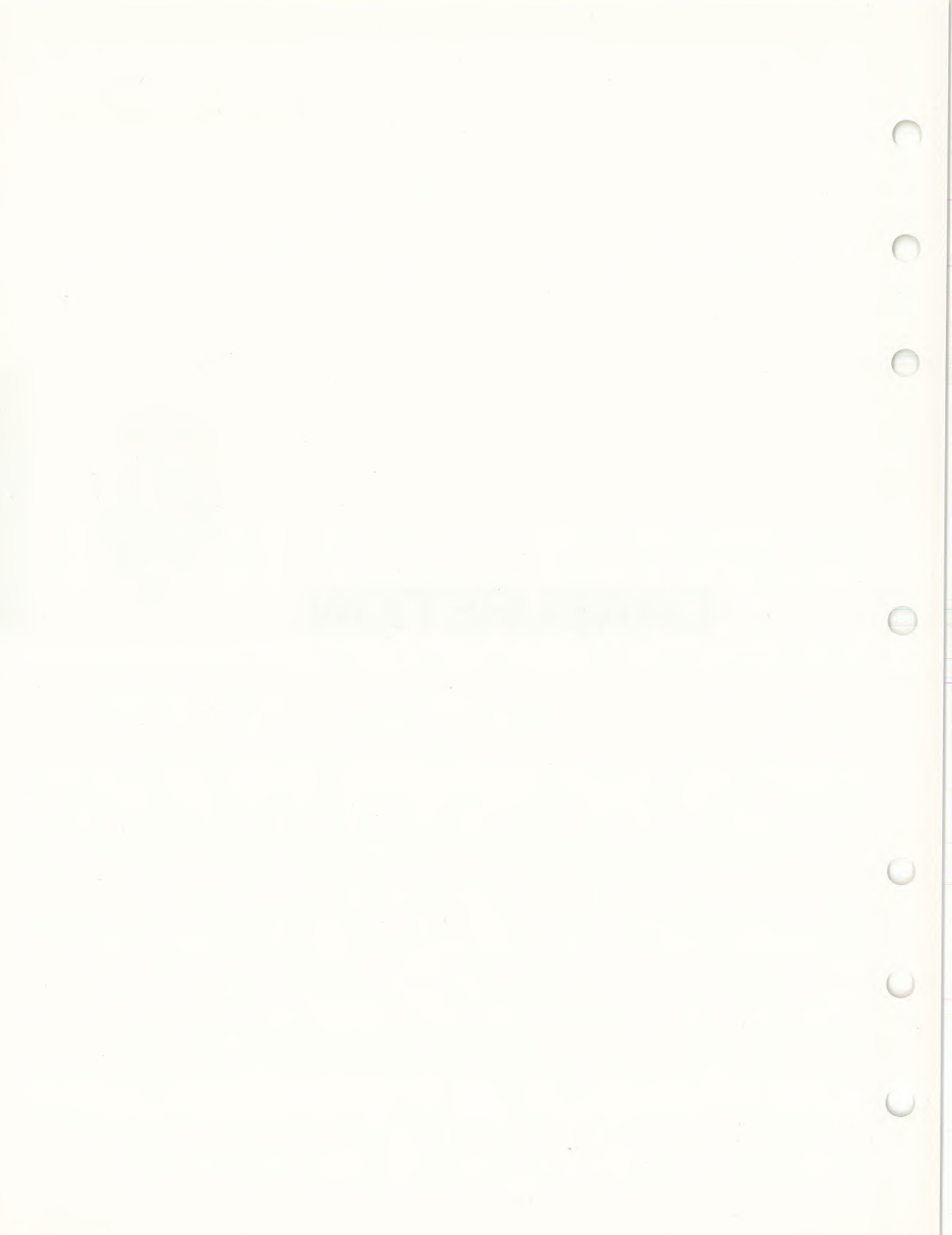
ITEM NO	PART NUMBER	DESCRIPTION	MX-11	MX-11
			125	175
32	420 241 440	Adjustment Screw, M6 X 0.75.....	1	1
33	420 260 370	Rubber Grommet.....	1	1
34	408 8019 00	Hose Clamp.....	1	1
35	740 003 000	Carburetor Boot.....	1	1
36	408 8014 00	Hose Clamp.....	1	1



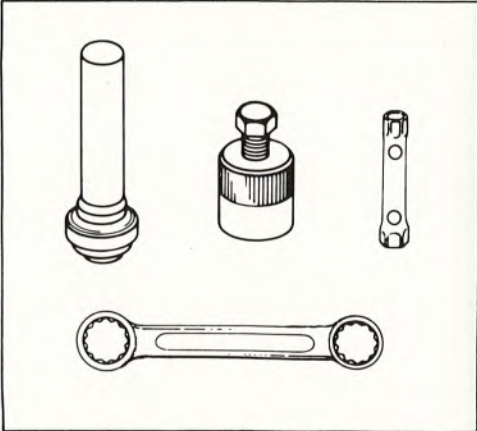
ITEM NO	PART NUMBER	DESCRIPTION	MX-11 250
1	420 291 441	Bing Double Float Carburetor 1/32/104....	1
2	420 261 590	Carburetor Housing Ass'y.....	1
3	420 963 090	Carburetor Primer.....	1
4	420 938 100	Spring, Primer.....	1
5	420 245 240	Split Pin, Primer.....	1
6	420 261 631	Carburetor Piston (#1 Chrome).....	1
7	420 261 640	Jet Needle (1 Identifying Ring).....	Opt
	420 261 641	Jet Needle (4 Identifying Ring).....	1
8	420 261 650	Needle Clip.....	1
9	420 227 635	Plastic Spring Cup.....	1
10	420 239 700	Spring, Carburetor Piston.....	1
11	420 261 670	Rubber Ring.....	1
12	420 261 660	Cover Plate.....	1
13	420 241 430	Hex. Screw, M5 X 12.....	2
14	420 963 141	Idler Jet 30.....	Opt
	420 963 142	Idler Jet 40.....	1
	420 963 143	Idler Jet 35.....	Opt
15	420 261 700	Float Needle.....	1
16	420 261 710	Clip, Float Needle.....	1
17	420 261 690	Diffuser (5 mm High/No Cutaway).....	Opt
	420 261 692	Diffuser (6 mm High) (5 mm Cutaway).....	1
18	420 261 600	Needle Jet 2.76.....	Opt
	420 261 605	Needle Jet 2.73.....	Opt
	420 261 608	Needle Jet 2.70.....	1
19	420 963 130	Mixing Tube.....	1
20	420 268 979	Main Jet 130.....	Opt
	420 268 980	Main Jet 135.....	Opt
	420 268 981	Main Jet 140.....	Opt
	420 268 982	Main Jet 145.....	Opt
	420 268 983	Main Jet 150.....	Opt
	420 268 984	Main Jet 155.....	1
	420 268 985	Main Jet 160.....	Opt
	420 268 986	Main Jet 165.....	Opt
	420 268 987	Main Jet 170.....	Opt
	420 268 988	Main Jet 175.....	Opt
	420 268 989	Main Jet 180.....	Opt
21	420 261 620	Sieve Sleeve.....	1
22	420 963 190	Float.....	1
23	420 929 700	Pin.....	1
24	420 830 720	Gasket, Float Chamber.....	1
25	420 261 610	Float Chamber.....	1
26	420 963 180	Spring Clip.....	1
27	420 939 880	Spring, Air Regulating Screw.....	1
28	420 963 150	Air Regulating Screw.....	1
29	420 938 640	Spring, Idler Adj. Screw.....	1
30	420 963 150	Adjustment Screw.....	1
31	420 942 540	Hex. Nut, M6 X 0.75.....	2

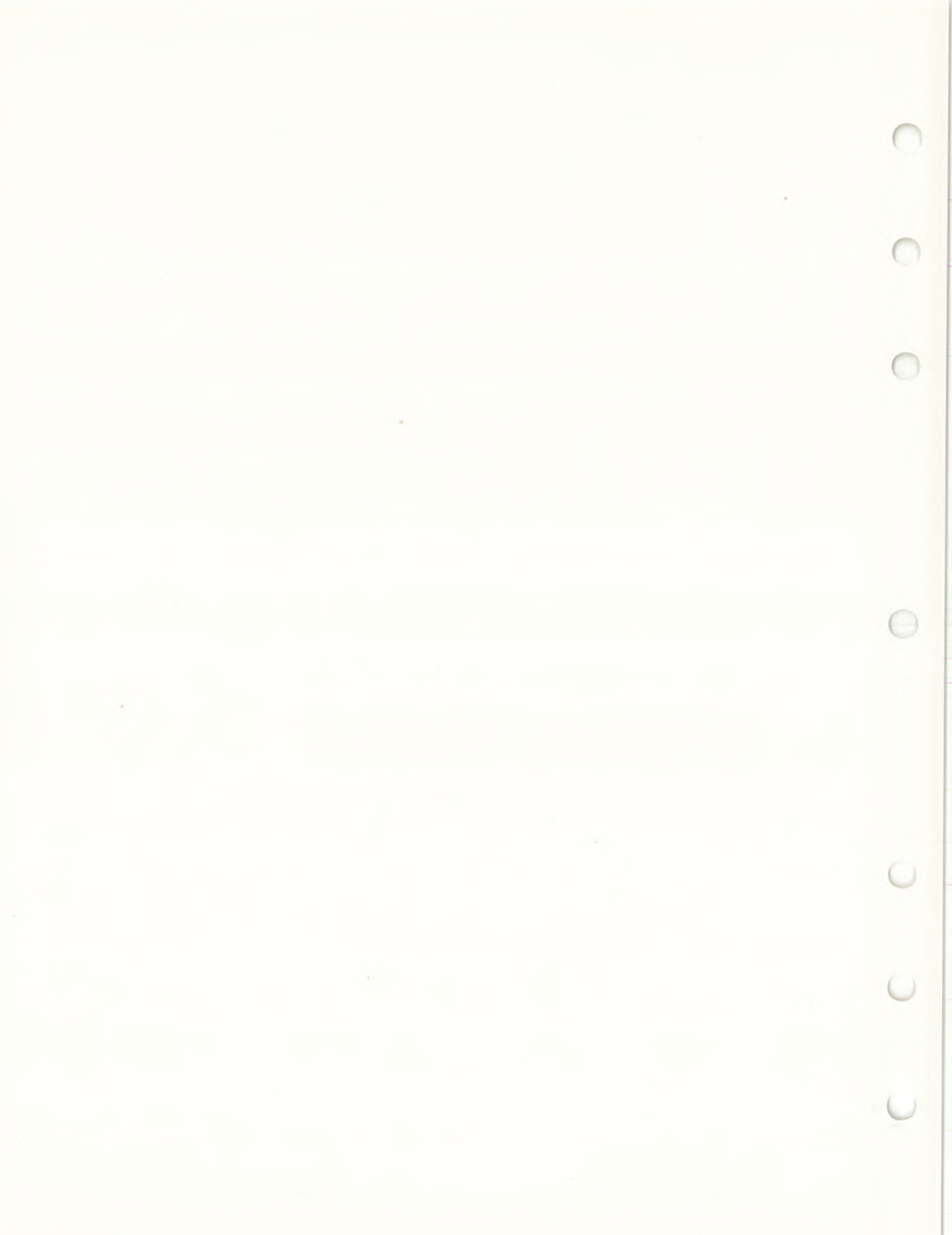


ITEM NO	PART NUMBER	DESCRIPTION	MX-11 250
32	420 241 440	Adjustment Screw, M6 X 0.75.....	2
33	420 260 370	Rubber Grommet.....	2
34	408 8014 00	Hose Clamp (Air Box).....	1
35	740 003 000	Carburetor Boot.....	1
36	408 8019 00	Hose Clamp (Carburetor).....	1

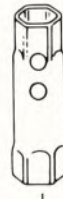
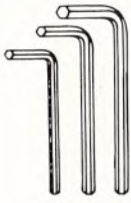
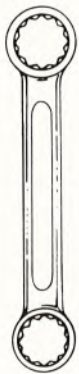
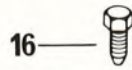
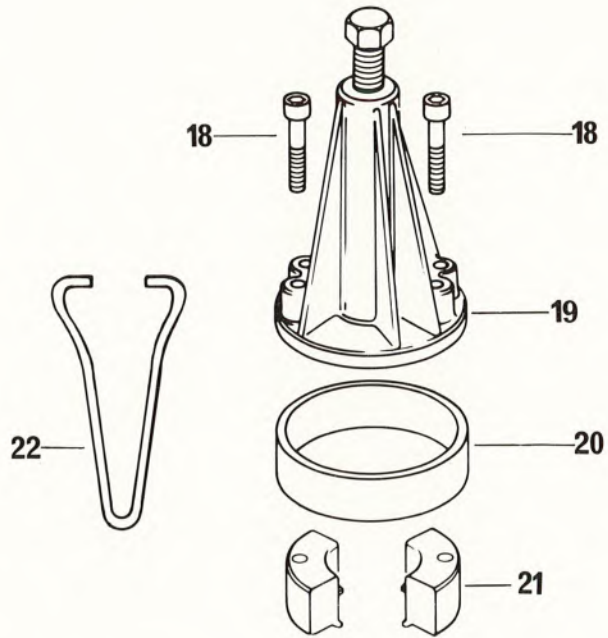
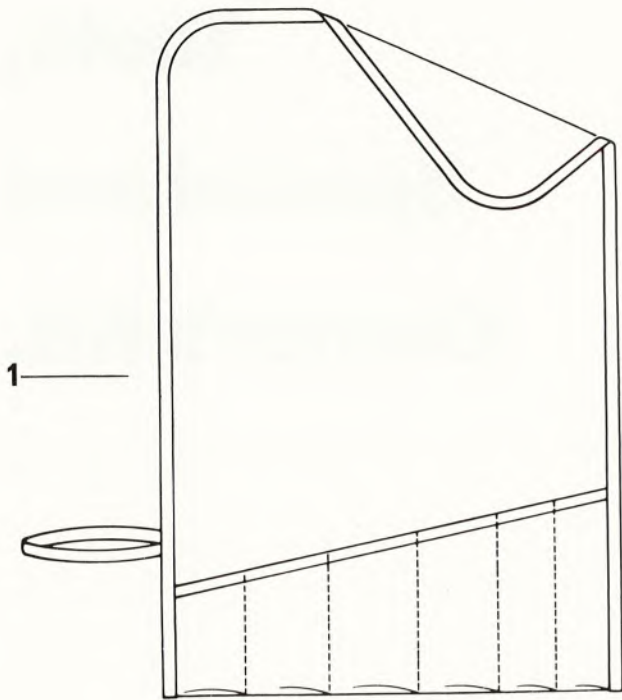


SPECIAL TOOLS





**Tools,
Special and
Owner's Kit.**



2

3

4

5

6

7

8

9

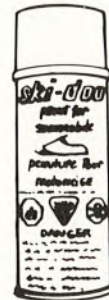
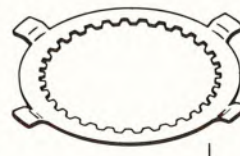
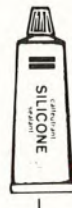
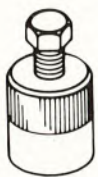
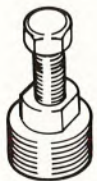
10

11

12

13

28



29

14

27

23

24

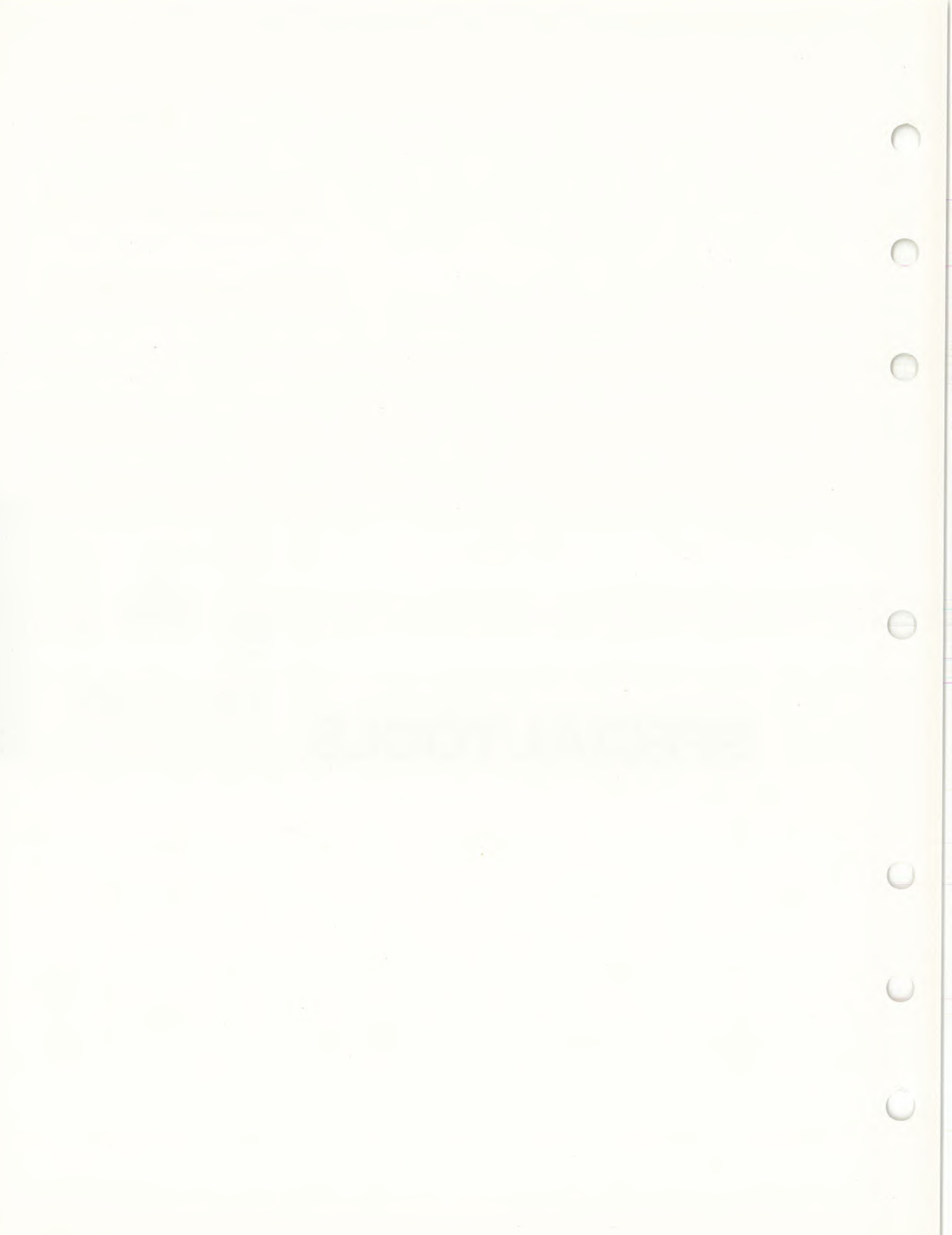
25

17

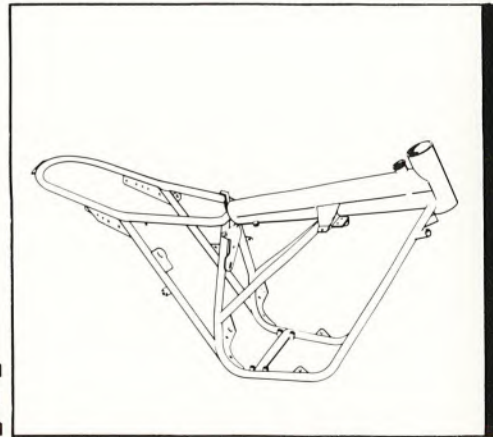
26

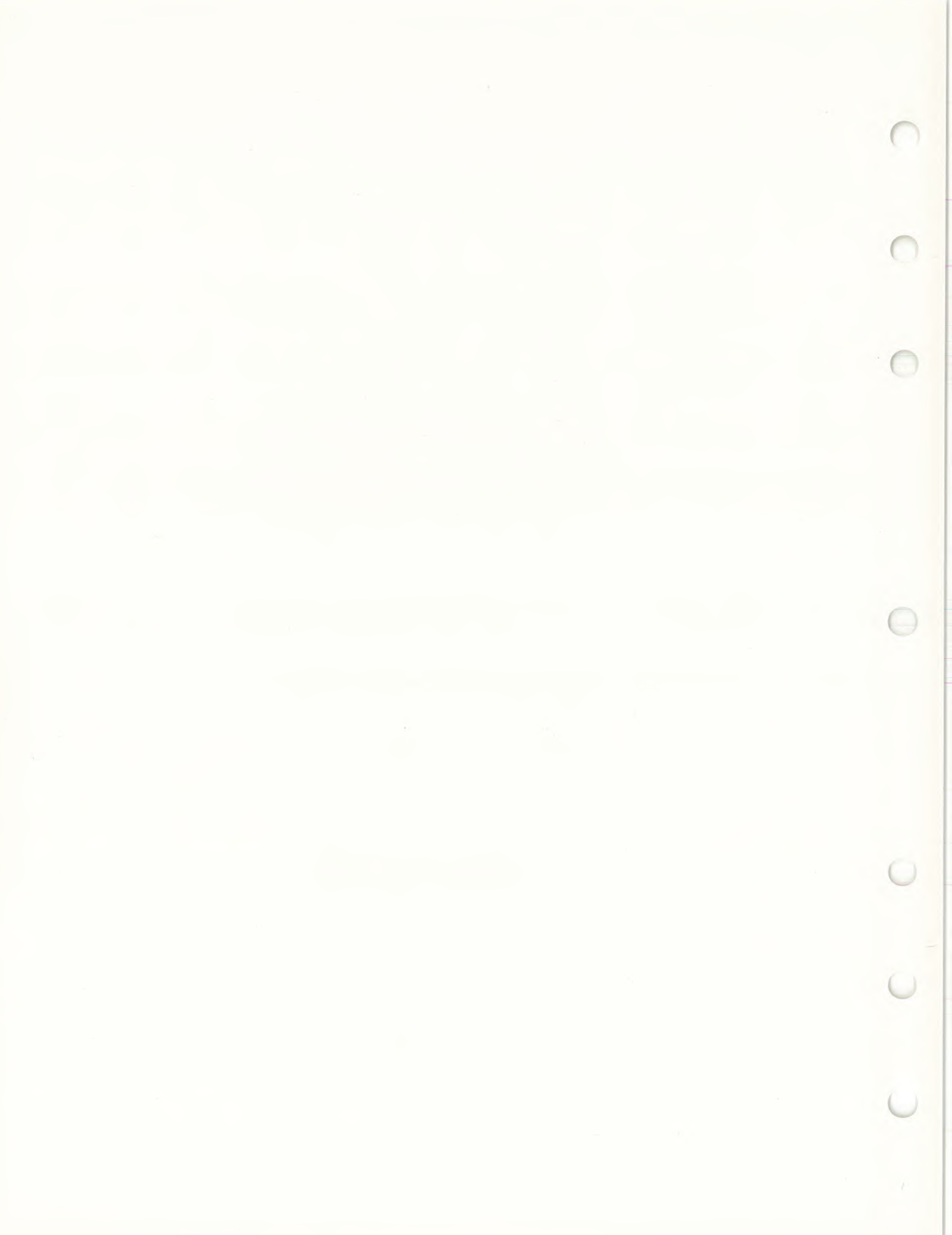
30

ITEM NO	PART NUMBER	DESCRIPTION	MX-11 125	MX-11 175	MX-11 250
1 to 10	420 277 780	Tool Kit, Owners.....	1	1	1
1	420 876 195	Tool Bag.....	1	1	1
2	420 277 825	Combined Wrench.....	1	1	1
3	420 276 065	Wrench Double Open 10/13 mm.....	1	1	1
4	420 277 790	Wrench 4, Int. Hex. Screw.....	1	1	1
5	420 876 360	Wrench 5, Int. Hex. Screw.....	1	1	1
6	420 277 810	Wrench 6, Int. Hex. Screw.....	1	1	1
7	420 277 830	Insert For Screwdriver.....	1	1	1
8	420 277 840	Grip For Screwdriver.....	1	1	1
9	420 876 220	Socket Wrench 11/13 mm.....	1	1	1
10	420 277 410	Socket Wrench 17/21 mm.....	1	1	1
11	420 277 850	Oil Seal Insertion Jig, To Mount Oil Seal In Clutch Cover.....	1	1	1
12	420 277 860	Oil Seal Insertion Jig, To Mount Oil Seal 420 230 390 in Crankcase Magneto Side.....	1	1	1
13	420 277 870	Oil Seal Insertion Jig, To Mount Oil Seal 420 230 421, For Main Shaft.....	1	1	1
	420 277 875	Oil Seal Insertion Jig, To Mount Oil Seal 420 230 420 In Disk Valve Cover.....	1	1	1
14	420 277 805	Puller Ass'y For Flywheel.....	1	1	1
15	420 277 900	Pump Gear Wrench.....	1	1	1
16	420 241 960	Locating Bolt For Crankshaft.....	1	1	1
17	420 277 885	Clutch Hub Locking Tool.....	1	1	1
18	420 840 680	Cylinder Screw w/Int. Hex. M8 X 40...	2	2	1
19	420 876 296	Puller Ass'y For Bearing On Crankshaft.....	1	1	1
20	420 977 480	Ring For Puller.....	1	1	1
21	420 277 890	Ring Half For Puller, Bearing On Crankshaft, Clutch Side.....	2	2	2
	420 276 020	Ring Half For Puller, Bearing Crankshaft, Magneto Side.....	-	-	2
22	748 033 000	Cam Adjuster Tool, S & W Shock Absorber.....	1	1	1
23	747 020 000	Loctite 271.....	6cc	6cc	6cc
24	747 018 000	Silicone Dielectric Grease Dow Corning DC-4.....	2oz	2oz	2oz
25	747 002 000	Silicone Seal Dow Corning Clear.....	3oz	3oz	3oz
	747 002 001	Silicone Seal Dow Corning Black.....	3oz	3oz	3oz
26	413 4026 00	Paint Black.....	16oz	16oz	16oz
28	420 276 190	Tool To Install Plastic Ring For Bearing in Crankcase, Clutch Side.....	1	1	1
	420 276 200	Tool To Install Plastic Ring For Bearing in Crankcase, Magneto Side.....	1	1	-
29	420 287 030	Puller Ass'y., For Rotor.....	1	1	-
30	N 747 020 001	Compound, Air Filter.....	1	1	1

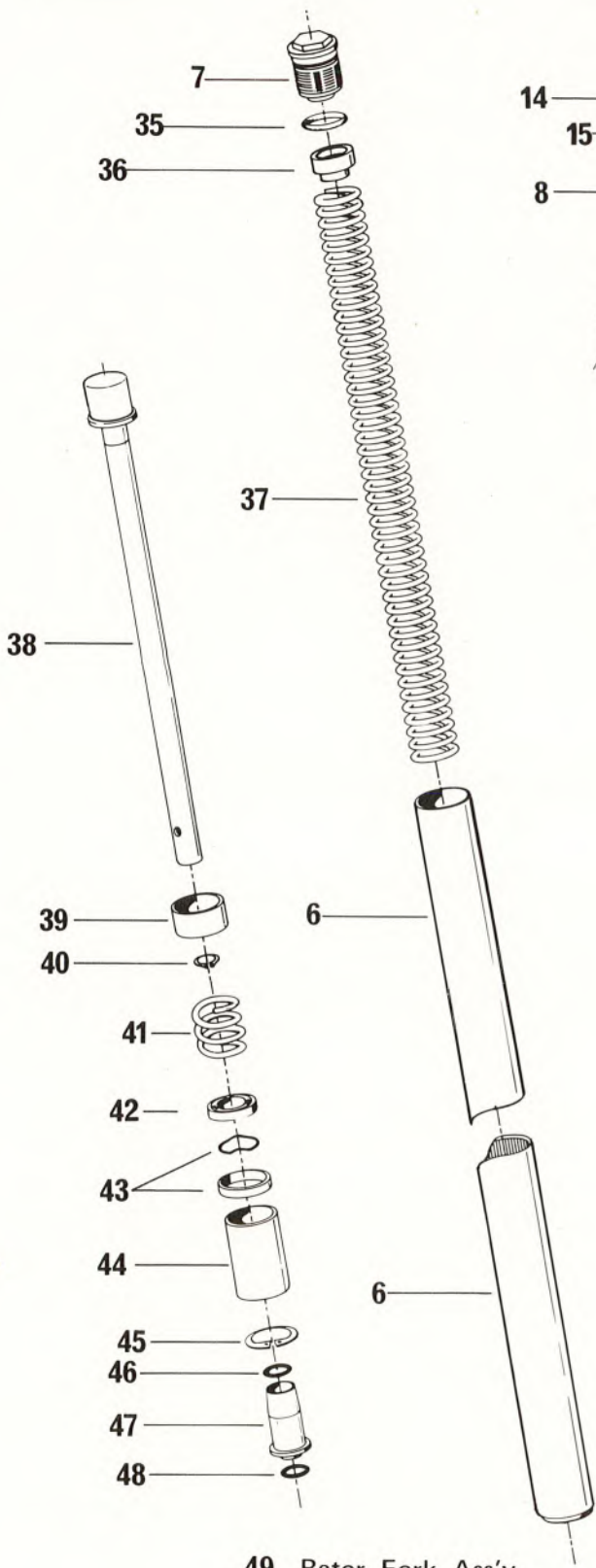


FRAME

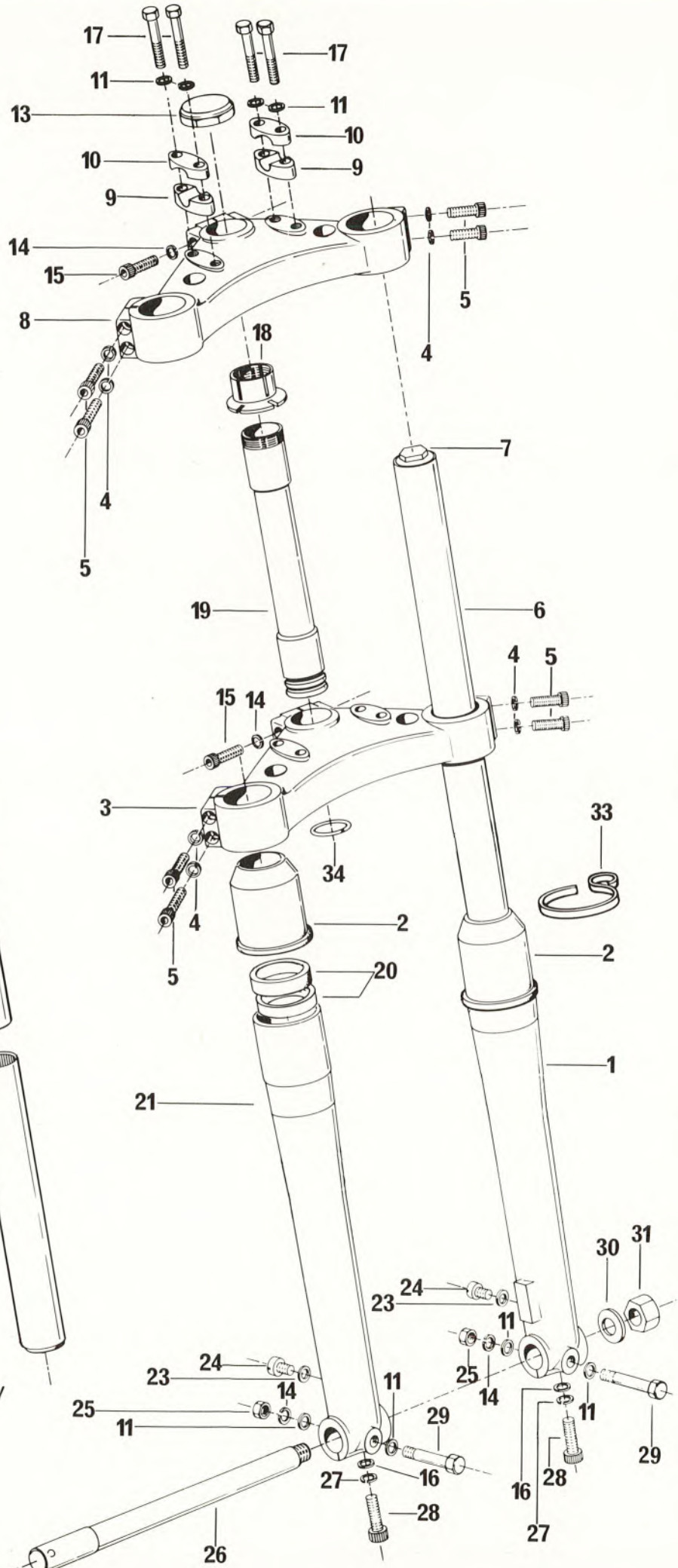




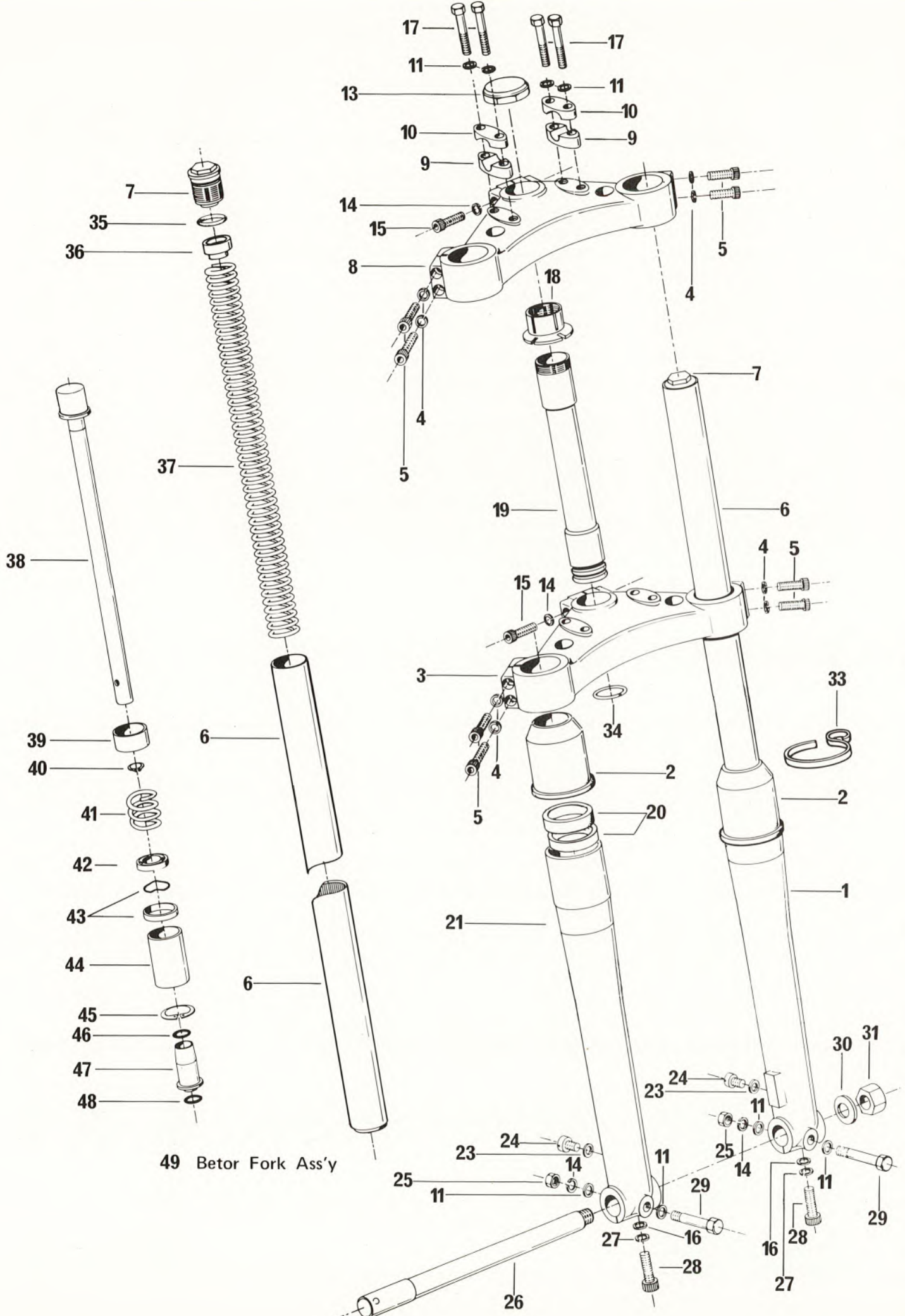
Fork



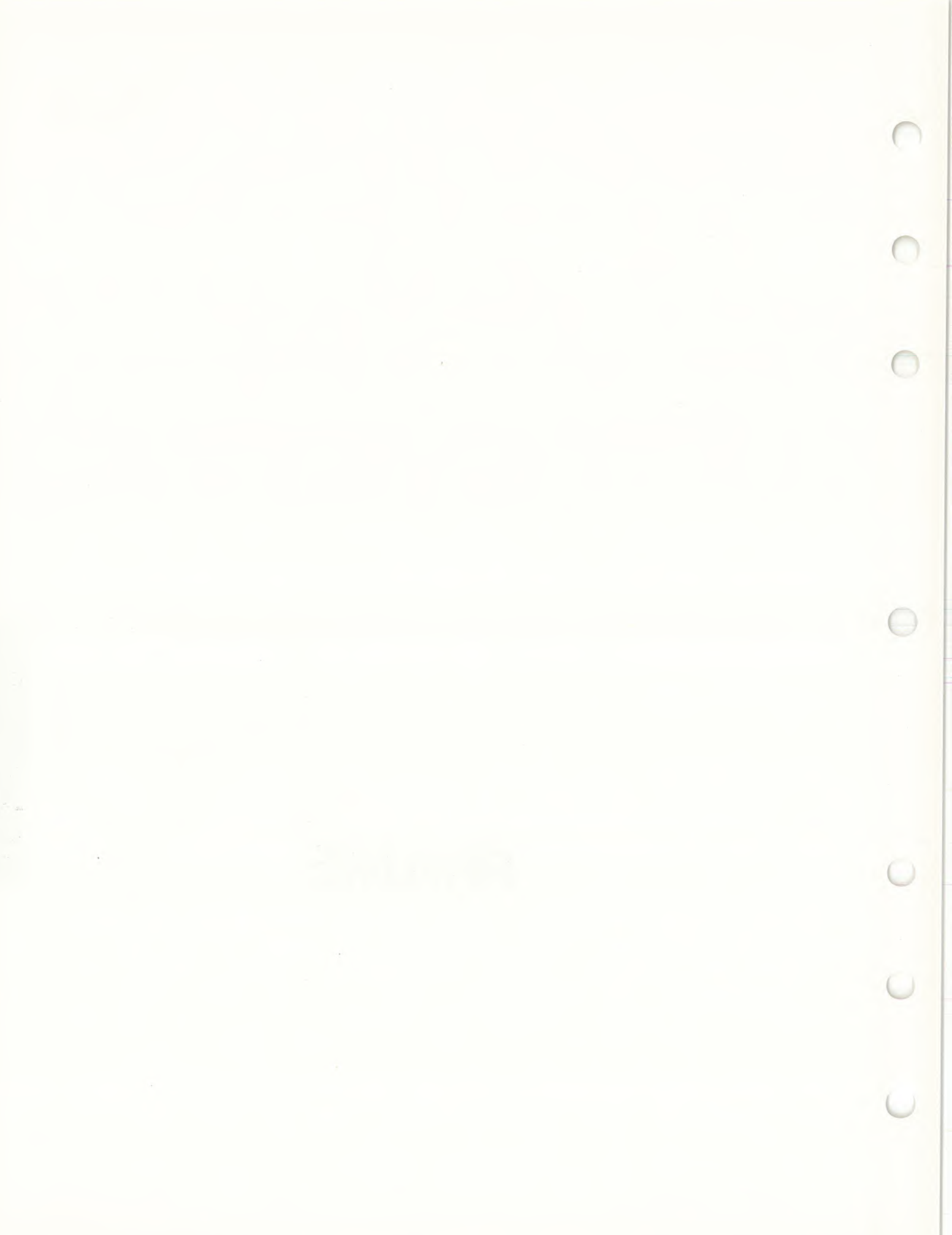
49 Betor Fork Ass'y



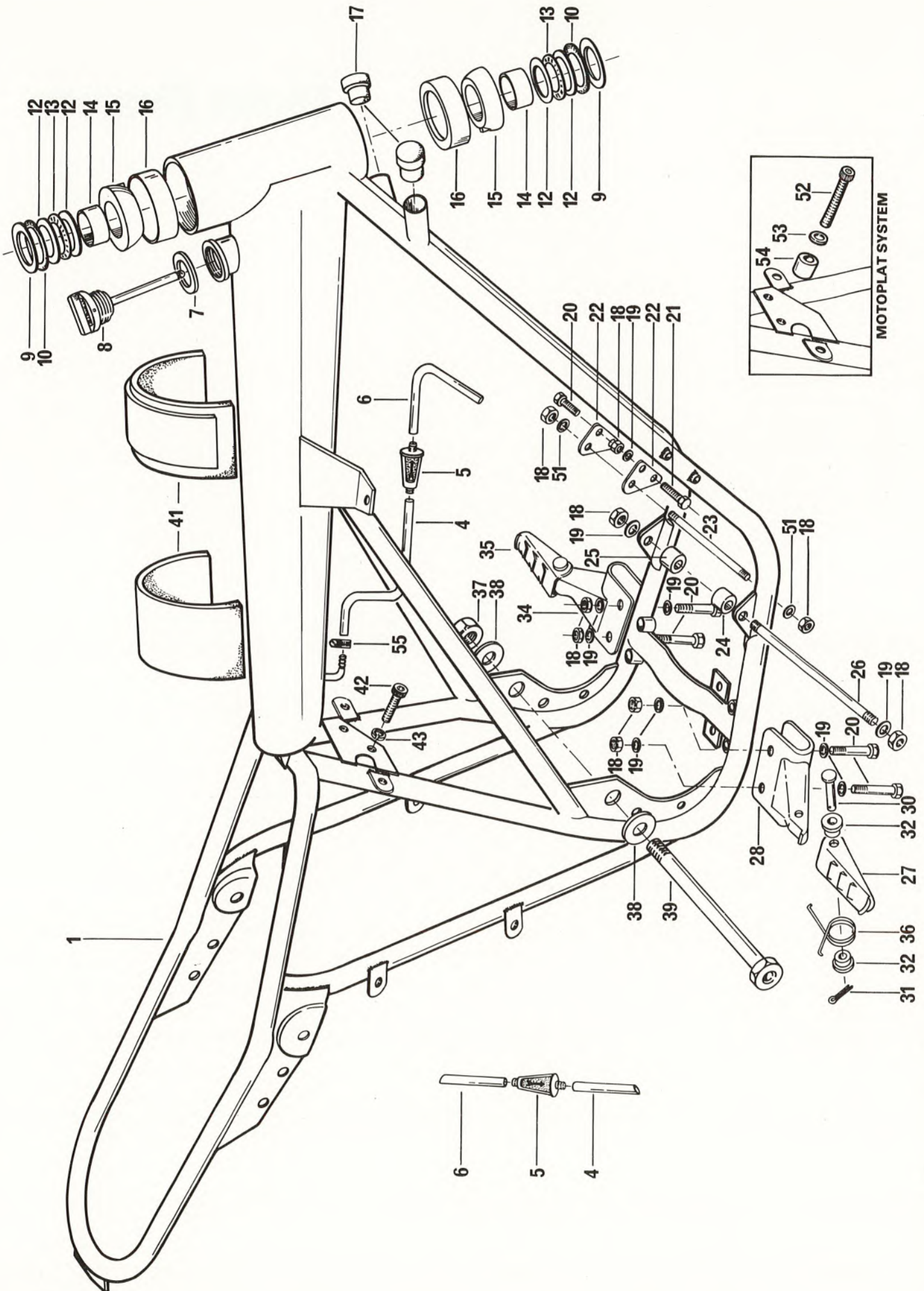
ITEM NO	PART NUMBER	DESCRIPTION	MX-11 125	MX-11 175	MX-11 250
1	742 020 002	Fork Slider Left.....	1	1	1
2	742 025 000	Dust Boot.....	2	2	2
3	742 026 001	Lower Triple Clamp.....	1	1	1
4	224 762 100	Lockwasher, 6 mm.....	8	8	8
5	222 963 015	Screw Socket Head, M6 X 1.00 X 30....	8	8	8
6	742 015 000	Fork Tube.....	2	2	2
7	742 017 000	Cap, Spring Retaining.....	Opt	Opt	Opt
	742 017 001	Cap, Spring Retaining (Vented) (Use With Spring Guide # 742 044 000).....	Opt	Opt	Opt
	N 742 017 002	Cap, Spring Retaining (Vented) (Use With Spring Guide # 742 044 000).....	2	2	2
8	N 742 030 002	Top Triple Clamp.....	1	1	1
9	742 018 000	Handlebar Clamp Bottom.....	2	2	2
10	742 019 000	Handlebar Clamp Top.....	2	2	2
11	224 081 170	Washer, 8 mm X 17 X 2.....	8	8	8
12	228 581 015	Nut, Hex. Elastic Stop, M8 X 1.25....	4	4	4
13	742 029 001	Cap Nut.....	1	1	1
14	224 782 120	Lockwasher 8 mm.....	4	4	4
15	222 983 025	Screw, Socket Head, M8 X 1.25 X 30...	2	2	2
16	224 080 140	Washer Flat, 8 mm X 14 X 1.5.....	2	2	2
17	N 222 085 515	Screw Hex. Head Cap, M8 X 1.25 X 55..	4	4	4
18	742 027 000	Adjuster Stem Nut.....	1	1	1
19	742 008 001	Steering Stem.....	1	1	1
20	742 010 001	Main Seal.....	4	4	4
21	742 024 002	Fork Slider Right.....	1	1	1
22	742 001 001	Cable Guide Speedo.....	1	1	1
23	224 061 122	Washer Fiber Special.....	2	2	2
24	223 160 725	Drain Screw.....	2	2	2
25	228 081 025	Nut, Hex. Head Cap, M8 X 1.25.....	2	2	2
26	742 034 000	Front Axle.....	1	1	1
27	224 781 140	Lockwasher, 8 mm.....	2	2	2
28	222 982 515	Screw, Socket Head, M8 X 1.25 X 25...	2	2	2
29	222 085 525	Screw, Hex. Head Cap, M8 X 1.25 X 55.	2	2	2
30	742 036 000	Washer, Special.....	1	1	1
31	742 035 000	Nut, Special.....	1	1	1
33	742 001 004	Cable Guide, Brake.....	1	1	1
34	742 028 000	Circlip.....	1	1	1
35	732 401 003	O'Ring.....	1	1	1
36	742 044 000	Guide, Spring Upper (Used With Vented Cap #742 017 001 & #742 017 002).....	2	2	2
37	742 009 000	Spring 18 Lbs (No Color Code).....	2	2	Opt
	742 009 001	Spring 19 Lbs (Color Code: Red).....	Opt	Opt	2
	742 009 002	Spring 16 Lbs (Color Code: Yellow)...	Opt	Opt	Opt
	742 009 003	Spring 14-24 Lbs (Color Code: White).	Opt	Opt	Opt
38	N 742 014 001	Rod, Damping.....	2	2	2
39	742 016 000	Bushing.....	2	2	2
40	732 802 000	Circlip.....	2	2	2



ITEM NO	PART NUMBER	DESCRIPTION	MX-11 125	MX-11 175	MX-11 250
41	742 013 000	Spring, Top Out.....	2	2	2
42	742 023 000	Valve Orifice.....	2	2	2
43	742 022 000	Valve Washer.....	2	2	2
44	N 742 021 001	Damper Support Body.....	2	2	2
45	732 801 000	Circlip.....	2	2	2
46	224 082 062	Washer Fiber.....	2	2	2
47	N 742 039 001	Valve.....	2	2	2
48	732 401 002	O'Ring.....	1	1	1
49	N 742 003 003	Front Fork Ass'y (Items Not Included 9, 10, 11, 13, 17, 18, 19, 34,).....	1	1	1

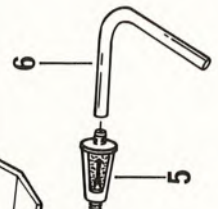
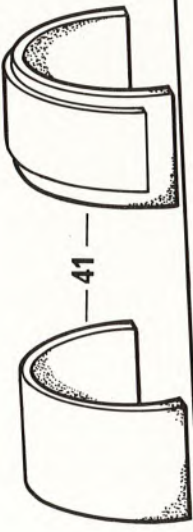
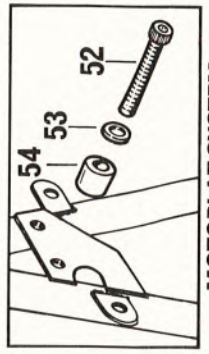


Main Frame

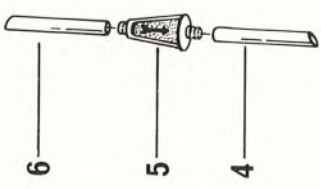
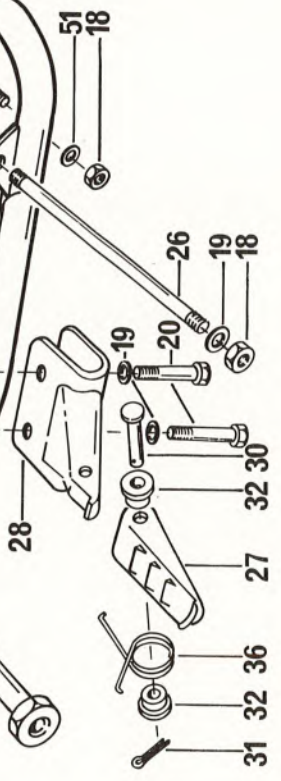
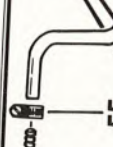
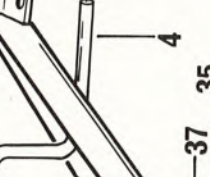


- 9
- 10
- 12
- 13
- 12
- 14
- 15
- 16

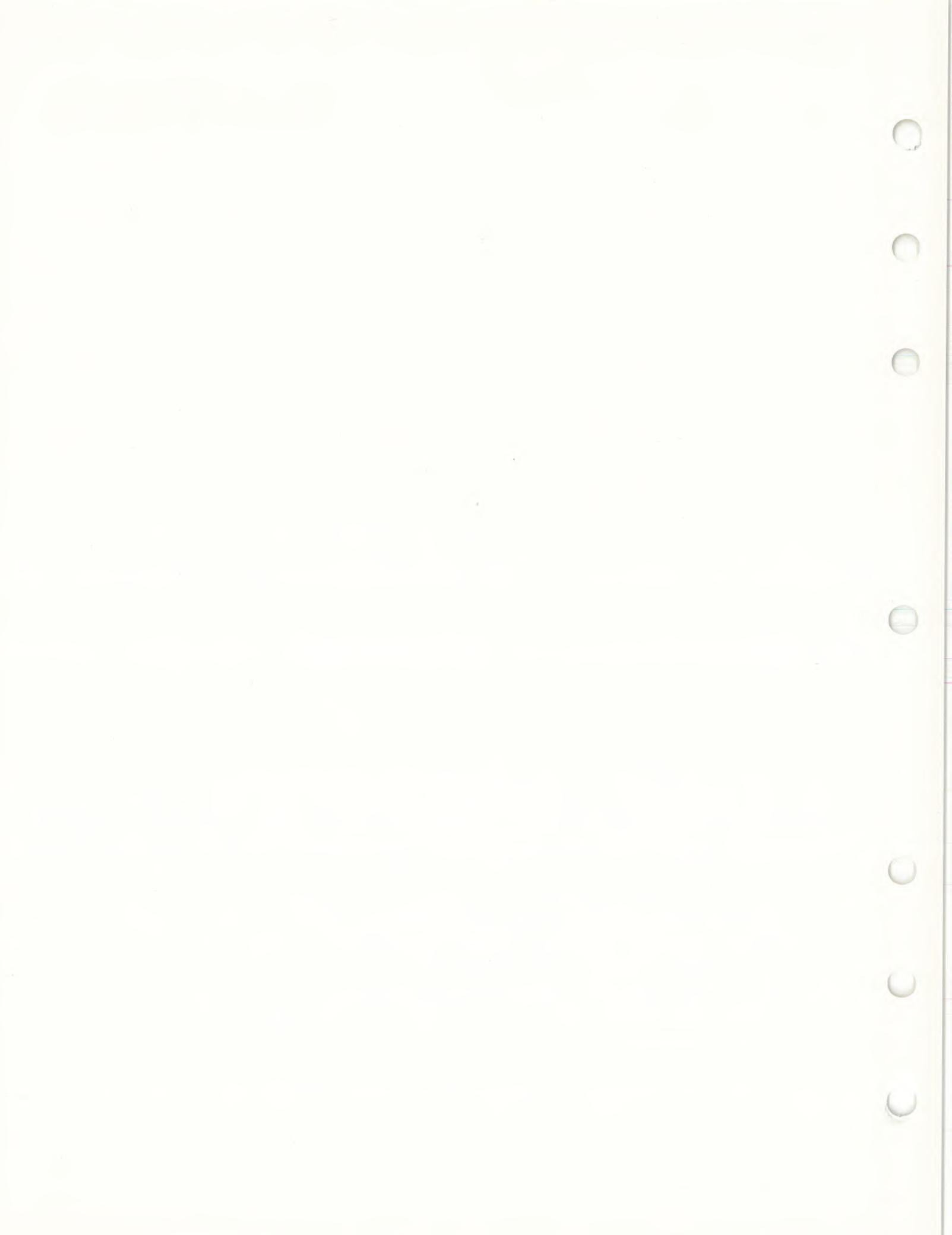
- 17
- 16
- 15
- 14
- 12
- 13
- 10
- 9



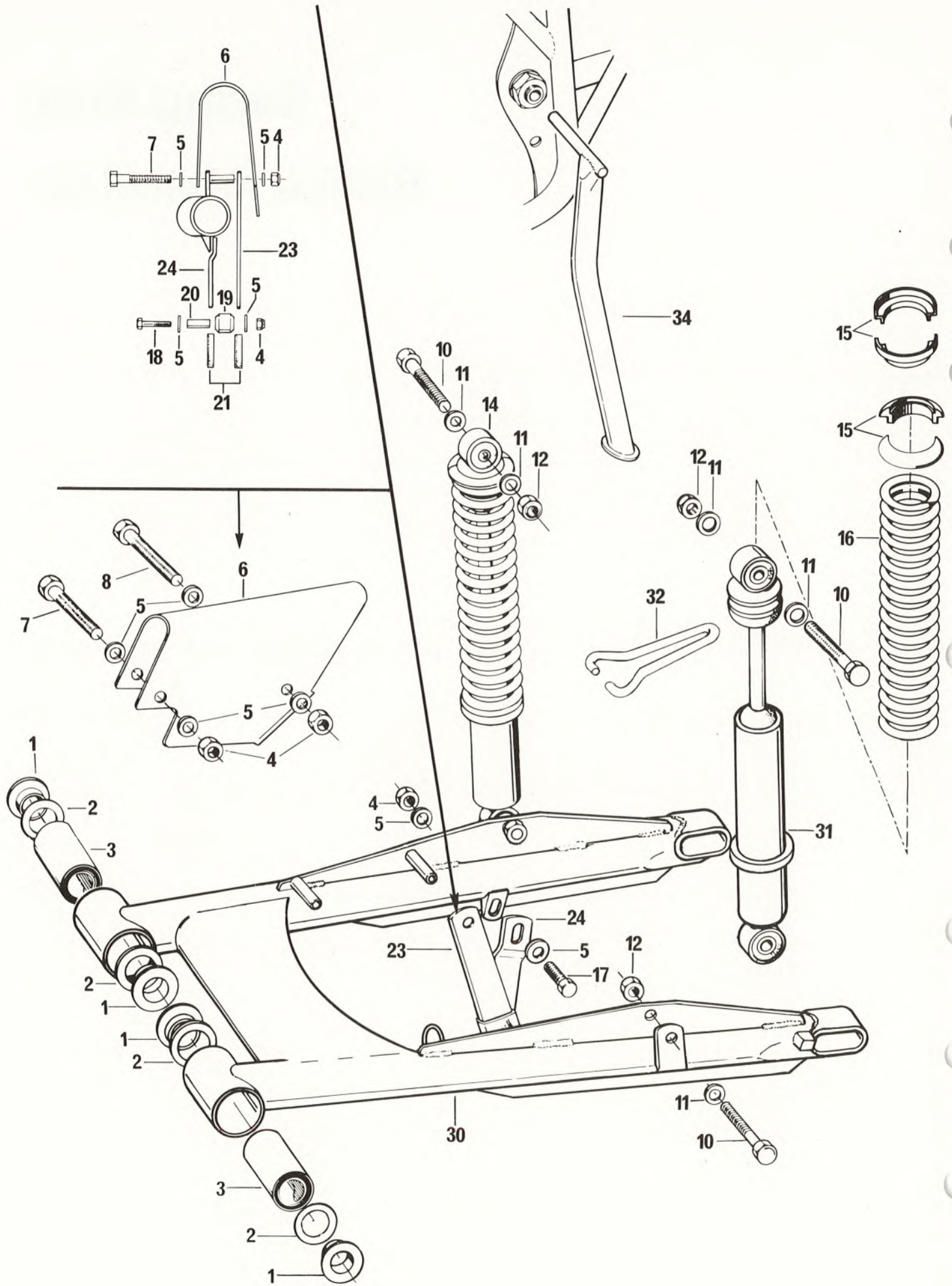
- 20
- 22
- 18
- 19
- 22
- 21
- 18
- 51



ITEM NO	PART NUMBER	DESCRIPTION	MX-11 125	MX-11 175	MX-11 250
1 to 16	746 001 017	Frame.....	1	1	1
4	414 1372 00	Oil Line, 290 mm (11 in.).....	(25 ft. Roll)		
5	744 028 000	Filter.....	1	1	1
6	414 1372 00	Oil Line, 270 mm (10 in.).....	(35 ft. Roll)		
7	744 033 000	Gasket, Oil Cap.....	1	1	1
8	N 744 032 002	Oil Tank Cap.....	1	1	1
9	746 015 000	Cover, Steering Cone.....	2	2	2
10	732 401 000	O'Ring, 1 1/2 X 1 3/4 X 1/8.....	2	2	2
12	732 901 000	Thrust Washer.....	4	4	4
13	732 701 000	Thrust Bearing.....	2	2	2
14	732 702 001	Needle Bearing.....	2	2	2
15	746 010 201	Steering Cone - 2 Degree.....	Opt	Opt	Opt
	746 010 001	Steering Cone - 0 Degree.....	Opt	Opt	Opt
	746 010 101	Steering Cone - 1 Degree.....	Opt	Opt	Opt
	746 010 301	Steering Cone - 3 Degree.....	2	2	2
16	746 052 000	Steering Cup.....	2	2	2
17	746 007 000	Bumper, Steering Rubber.....	2	2	2
18	228 581 015	Nut, Hex. Elastic Stop, M8 X 1.25....	12	12	12
19	224 081 170	Lockwasher, 8 mm.....	14	14	14
20	222 084 515	Screw Hex. Head Cap, M8 X 1.25 X 45..	6	6	6
21	222 085 015	Screw Hex. Head Cap, M8 X 1.25 X 50..	2	2	2
22	734 006 001	Front Engine Mount.....	2	2	2
23	734 005 003	Front Engine Stud.....	1	1	1
24	745 006 000	Spacer R.H.....	1	1	1
25	746 006 001	Spacer L.H.....	1	1	1
26	734 004 001	Lower Engine Stud.....	1	1	1
27	746 012 001	Footrest R.H.....	1	1	1
28	746 024 003	Foot Peg R.H.....	1	1	1
30	414 0533 00	Clevis Pin.....	2	2	2
31	371 8002 00	Cotter Pin.....	2	2	2
32	746 077 003	Spacer.....	2	2	2
34	746 025 003	Foot Peg L.H.....	1	1	1
35	746 011 001	Footrest L.H.....	1	1	1
36	732 310 001	Spring L.H.....	1	1	1
	732 310 000	Spring R.H.....	1	1	1
37	746 035 001	Nut, Hex., M16 X 1.50.....	1	1	1
38	746 034 001	Washer Flat, 17 mm X 28 X 2.....	2	2	2
39	746 002 001	Swing Arm Bolt.....	1	1	1
41	748 003 000	Rubber Pad.....	3	3	3
42	222 961 615	Screw, Socket Head Cap, M6 X 1.00 X 15.....	3	3	3
43	224 761 110	Lockwasher, 6 mm.....	3	3	3
51	732 903 000	Washer, Front Engine Stud.....	2	2	2
52	222 063 515	Screw, Hex. Head Cap, M6 X 1.00 X 35..	2	2	-
53	224 061 120	Washer Flat, 6 mm X 12 X 1.5.....	2	2	-
54	744 002 000	Spacer, Electronic Box.....	2	2	-
55	408 8011 00	Gear Clamp.....	1	1	1

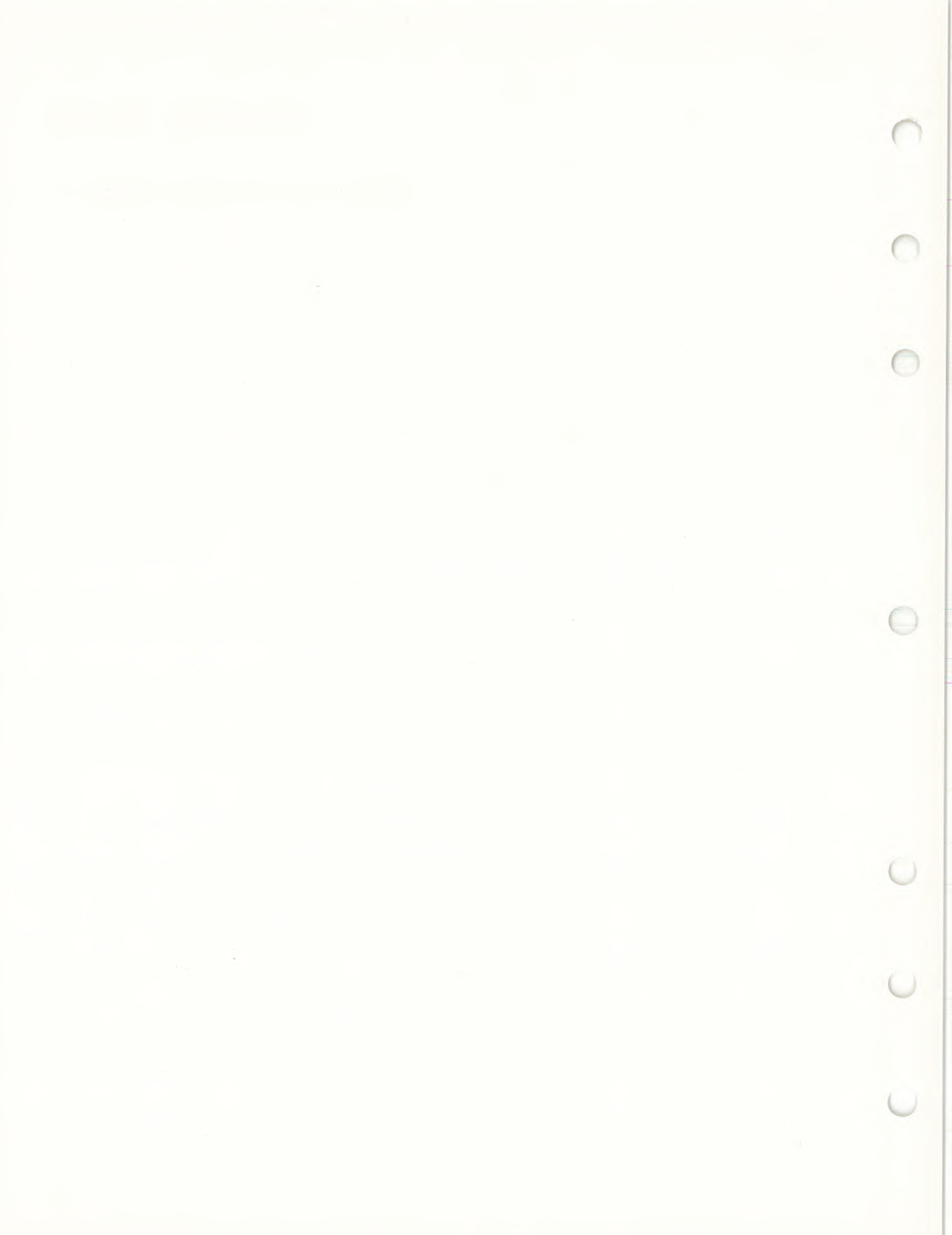


**Swing Arm,
Shock Absorber.**

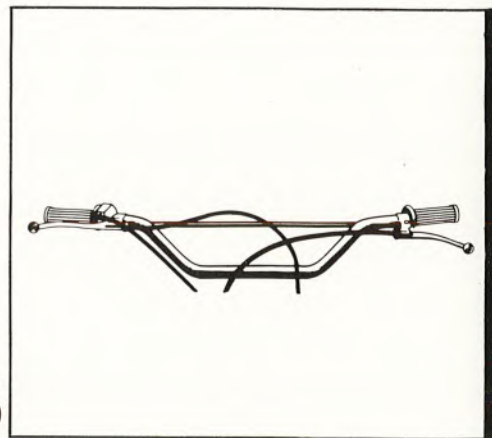


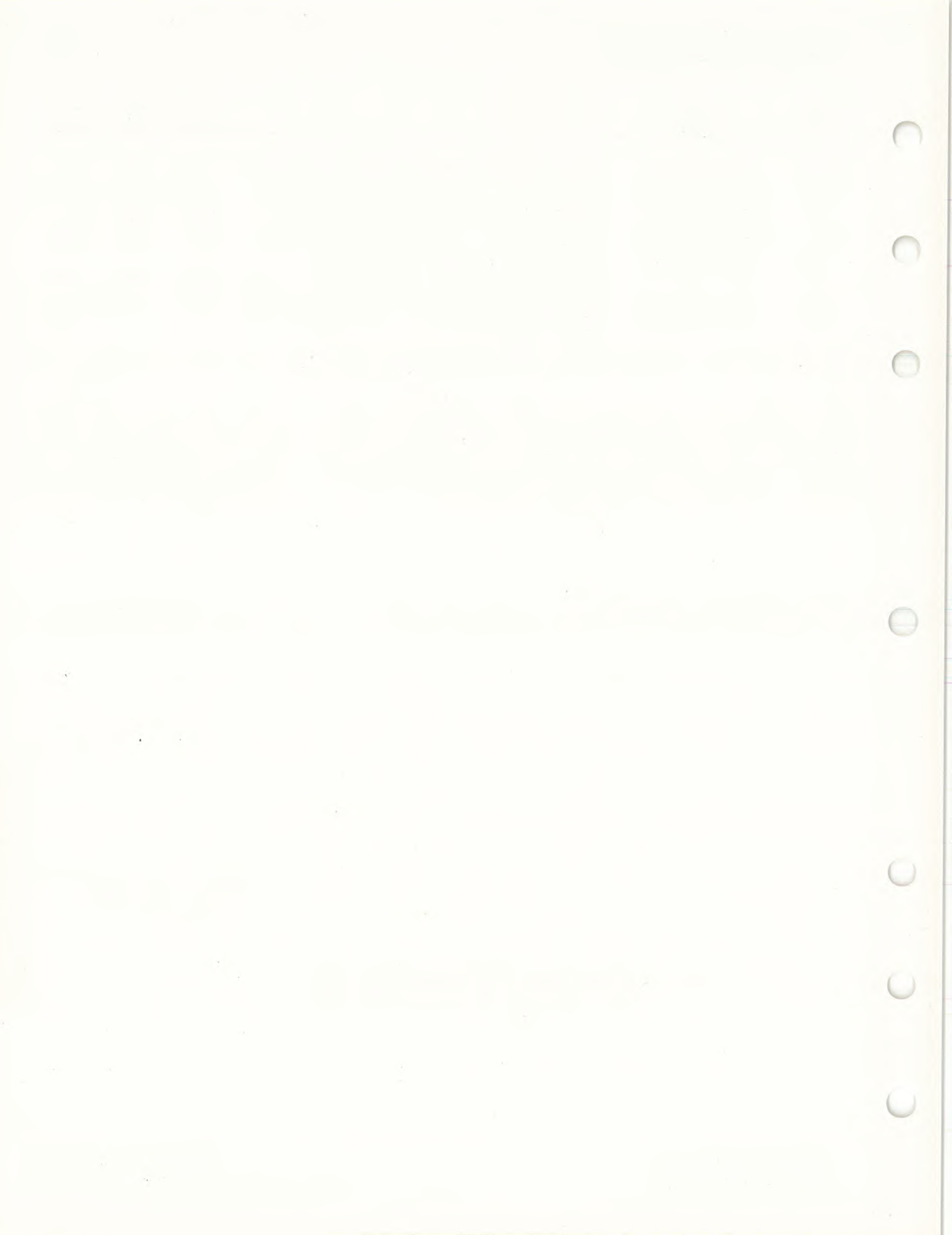
ITEM NO	PART NUMBER	DESCRIPTION	MX-11 125	MX-11 175	MX-11 250
1	746 004 000	Bushing, Flanged.....	4	4	4
	746 004 001	Bushing, Flanged.....	Opt	Opt	Opt
2	732 501 001	Shim, .036 in.....	AR	AR	AR
	732 501 000	Shim, .018 in.....	AR	AR	AR
3	746 003 001	Bushing, Swing Arm.....	2	2	2
4	228 561 015	Nut, Hex. Elastic Stop, M6 X 1.00....	4	4	4
5	224 061 120	Washer Flat, 6 mm X 12 X 1.50.....	8	8	8
6	746 040 004	Guard, Chain.....	1	1	1
7	222 065 015	Screw, Hex. Head Cap, M6 X 1.00 X 50.	1	1	1
8	222 065 515	Screw, Hex. Head Cap, M6 X 1.00 X 55.	1	1	1
10.	222 084 015	Screw, Hex. Head Cap, M8 X 1.25 X 40.	4	4	4
11	224 081 170	Washer Flat, 8 mm X 17 X 2.....	8	8	8
12	228 581 015	Nut, Hex. Elastic Stop, M8 X 1.25....	4	4	4
14	742 005 002	Shock Absorber - S & W.....	Opt	Opt	Opt
	742 005 003	Shock Absorber.....	Opt	Opt	Opt
	742 005 004	Shock Absorber.....	Opt	Opt	Opt
	742 005 005	Shock Absorber.....	Opt	Opt	Opt
	N 742 005 006	Shock Absorber.....	1	1	Opt
	N 742 005 007	Shock Absorber.....	Opt	Opt	1
15	742 033 001	Collar Spring/Steel - Girling.....	Opt	Opt	Opt
	742 033 002	Collar Spring - S & W.....	Opt	Opt	Opt
	N 742 033 003	Collar Spring.	4	4	Opt
	N 742 033 004	Collar Spring.....	Opt	Opt	2
16	742 006 000	Spring, Shock Absorber Color Code: Yellow/Yellow/Yellow.....	2	2	Opt
	742 006 001	Spring, Shock Absorber 88 Lbs Color Code: Yellow/White/Yellow.....	Opt	Opt	Opt
	742 006 003	Spring, Shock Absorber 55 Lbs No Color Code.....	Opt	Opt	Opt
	742 006 004	Spring, Shock Absorber 65 Lbs Color Code: Yellow.....	Opt	Opt	Opt
	742 006 005	Spring, Shock Absorber 45/70 Lbs Color Code: Yellow/Yellow.....	Opt	Opt	Opt
	742 006 006	Spring, Shock Absorber 60/90 Lbs Color Code: White.....	Opt	Opt	Opt
	742 006 007	Spring, Shock Absorber 82 Lbs Color Color Code: White/White.....	Opt	Opt	Opt
	742 006 009	Spring, Shock Absorber 100 Lbs Color Code: Purple/Gold.....	Opt	Opt	Opt
	N 742 006 011	Spring, Shock Absorber 100 Lbs Large, Color Code: Purple/Gold.....	Opt	Opt	2
17	222 061 615	Screw, Hex. Head Cap, M6 X 1.00 X 16.	1	1	1
18	222 064 515	Screw, Hex. Head Cap, M6 X 1.00 X 45.	1	1	1
19	746 096 000	Roller (Chain Guide).....	1	1	1
20	746 077 002	Spacer (Chain Guide).....	1	1	1
21	746 095 000	Protector (Chain Guide).....	2	2	2
23	746 038 004	Strut Inside (Chain Guide).....	1	1	1

ITEM NO	PART NUMBER	DESCRIPTION	MX-11 125	MX-11 175	MX-11 250
24	746 038 005	Strut Outside (Chain Guide).....	1	1	1
30	N 746 066 006	Swing Arm.....	1	1	-
	N 746 066 007	Swing Arm.....	-	-	1
31	742 007 004	Damper/S & W.....	Opt	Opt	2
	N 742 007 006	Damper.....	2	2	Opt
32	748 033 000	Cam Adjuster Tool, S & W Shock Absorber.....	Opt	Opt	Opt
33	742 043 000	Adjuster Ring.....	1	1	1
34	746 021 003	Side Stand.....	1	1	1

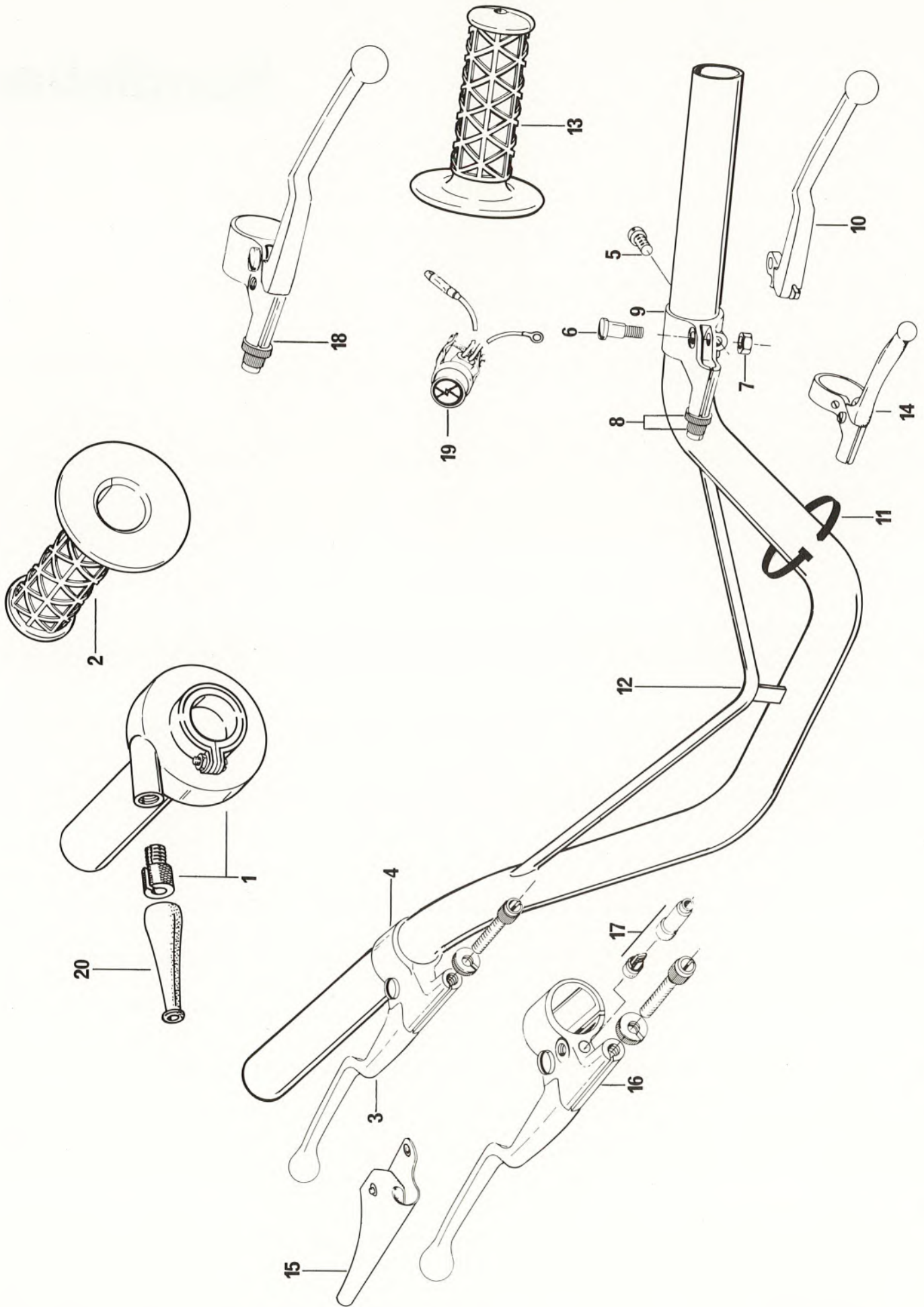


CONTROLS

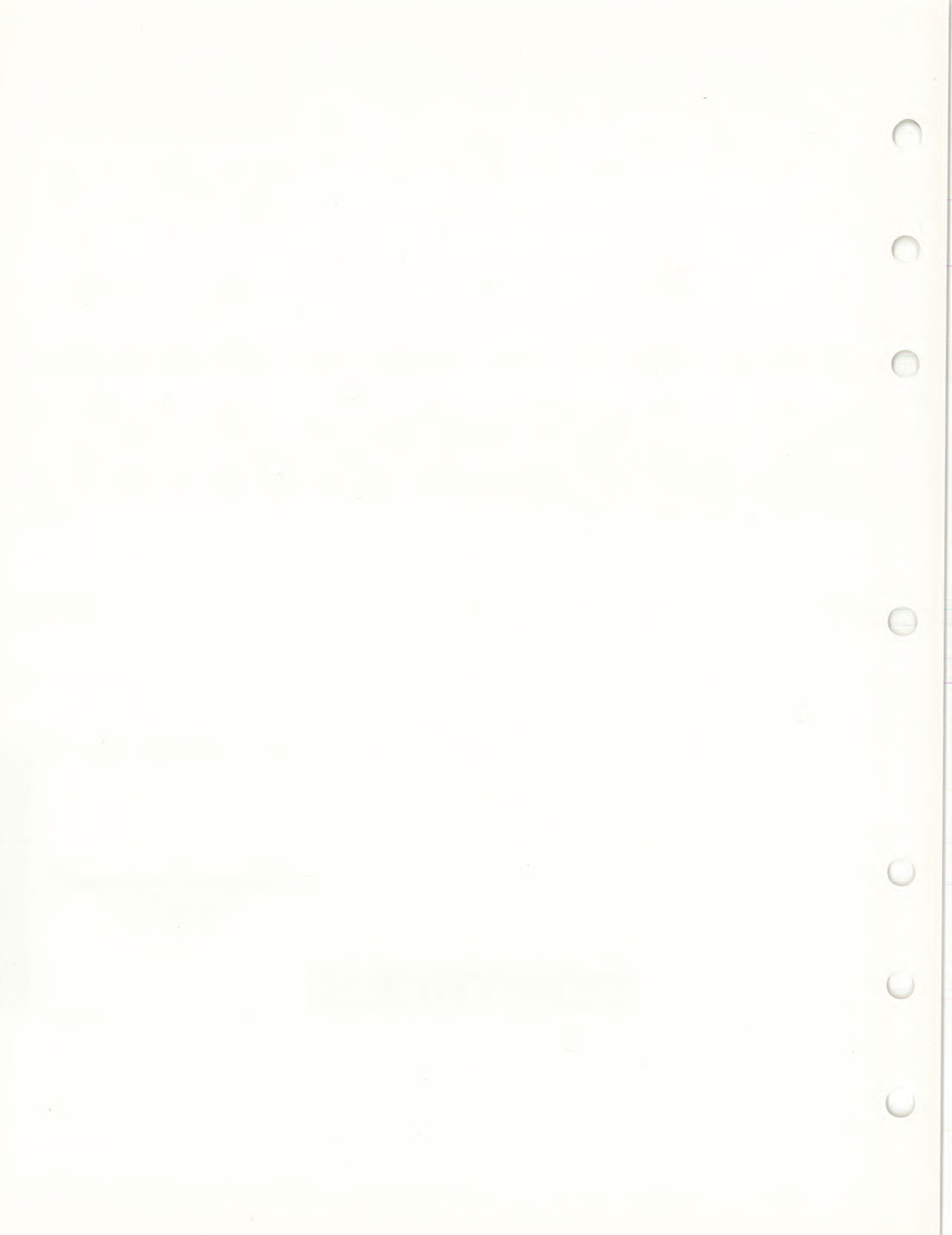




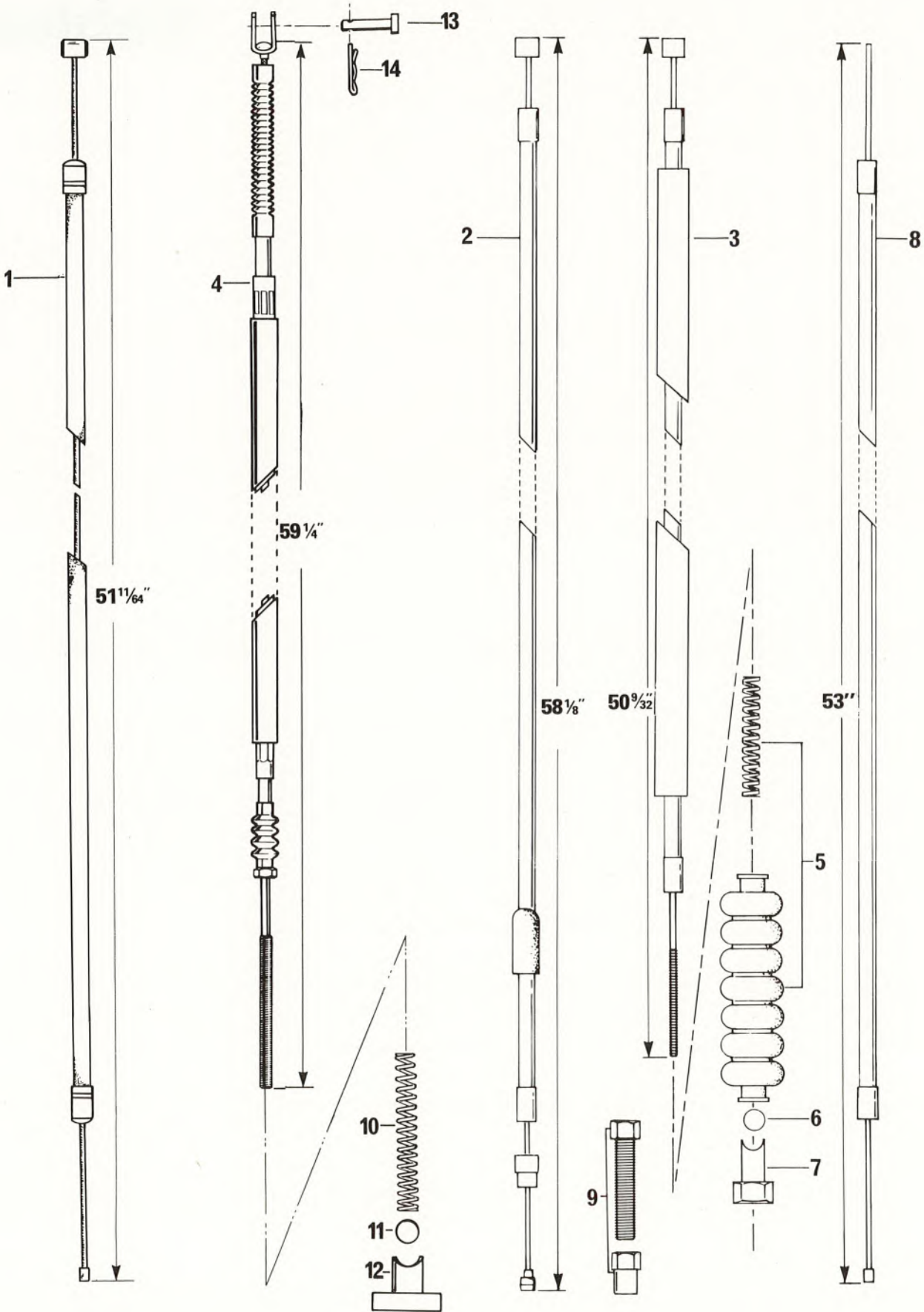
Handlebar



ITEM NO	PART NUMBER	DESCRIPTION	MX-11	MX-11	MX-11
			125	175	250
1 to 3	738 018 005	Throttle Ass'y (Use Throttle Cable 741 004 006).....	1	1	1
2	737 004 001	Grip, Rubber Right, (Surgical Rubber)	Opt	Opt	Opt
	737 004 002	Grip, Rubber Right, (Surgical Rubber)	1	1	1
	N 737 004 003	Grip, Rubber Right, Magura.....	Opt	Opt	Opt
3 to 8	737 002 004	Power Lever, Brake Ass'y Magura.....	1	1	1
3	737 007 002	Power Lever Only, Brake Magura.....	1	1	1
5	737 011 000	Screw, Clamp Brake And Clutch Magura.	1	1	1
6	737 010 001	Bolt, Pivot Clutch And Brake Magura..	1	1	1
7	228 561 015	Nut, Hex. Elastic Stop, M6 X 1.00....	1	1	1
8	741 005 001	Screw Cable Adjuster, Clutch And Brake.....	2	2	2
5 to 10	737 003 004	Power Lever, Clutch Ass'y Magura.....	1	1	1
10	737 008 002	Power Lever Only, Clutch Magura.....	1	1	1
11	748 001 000	Tie Rap 8".....	4	4	4
12	737 006 002	Handlebar Chromed.....	Opt	Opt	Opt
	737 006 004	Handlebar Black (V-Brace).....	1	1	1
13	737 005 002	Grip, Rubber Left, (Surgical Rubber).	Opt	Opt	Opt
	737 005 003	Grip, Rubber Left, (Surgical Rubber).	1	1	1
	N 737 005 004	Grip, Rubber Left, Magura.....	Opt	Opt	Opt
14	737 012 000	Lever, Choke or Compression (Used With Cable #741 008 000).....	Opt	Opt	Opt
15	737 013 001	Cover, Lever Magura.....	2	2	2
3	737 002 002	Power Lever, Brake Ass'y Magura (With Hole For Mirror & Switch).....	Opt	Opt	Opt
5 to 8		" " "			
16 - 17		" " "			
17	738 021 001	Switch, Light Front Brake Magura.....	Opt	Opt	Opt
5 to 8	737 003 002	Power Lever, Clutch Ass'y Magura (With Hole For Mirror).....	Opt	Opt	Opt
10 - 18					
19	738 066 000	Kill Switch Ass'y.....	1	1	1
20	738 065 001	Protector Tube.....	1	1	1



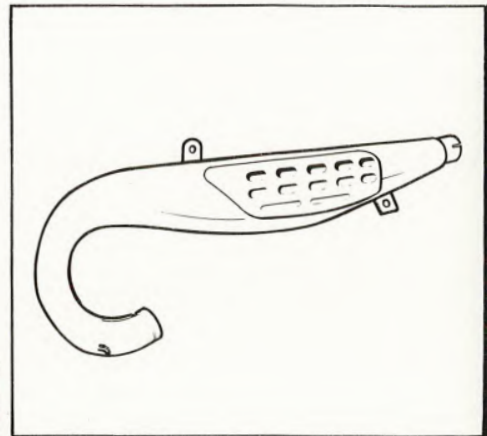
Cables



ITEM NO	PART NUMBER	DESCRIPTION	MX-11	MX-11	MX-11
			125	175	250
1	N 741 004 006	Cable, Throttle.....	1	1	1
2	741 003 000	Cable, Clutch.....	1	1	1
3	741 002 002	Cable, Brake.....	1	1	1
4	N 741 002 003	Cable Brake Rear.....	1	1	1
5	741 011 000	Spring And Boot Ass'y, Front Brake...	1	1	1
6	741 009 000	Barrel, Front Brake Cable.....	1	1	1
7	741 010 000	Screw, Adjuster, Front Brake.....	1	1	1
8	741 008 000	Cable, Choke or Compression (To Be Used With Lever # 737 012 000).....	Opt	Opt	Opt
9	741 005 000	Adjuster, Oil Pump Cable.....	1	1	1
10	732 309 000	Spring.....	1	1	1
11	746 032 000	Barrel.....	1	1	1
12	746 033 000	Adjuster Nut.....	1	1	1
13	N 732 875 000	Clevis Pin (Brake Pedal).....	1	1	1
14	N 414 1083 00	Air Pin Cotter (Brake Pedal).....	1	1	1



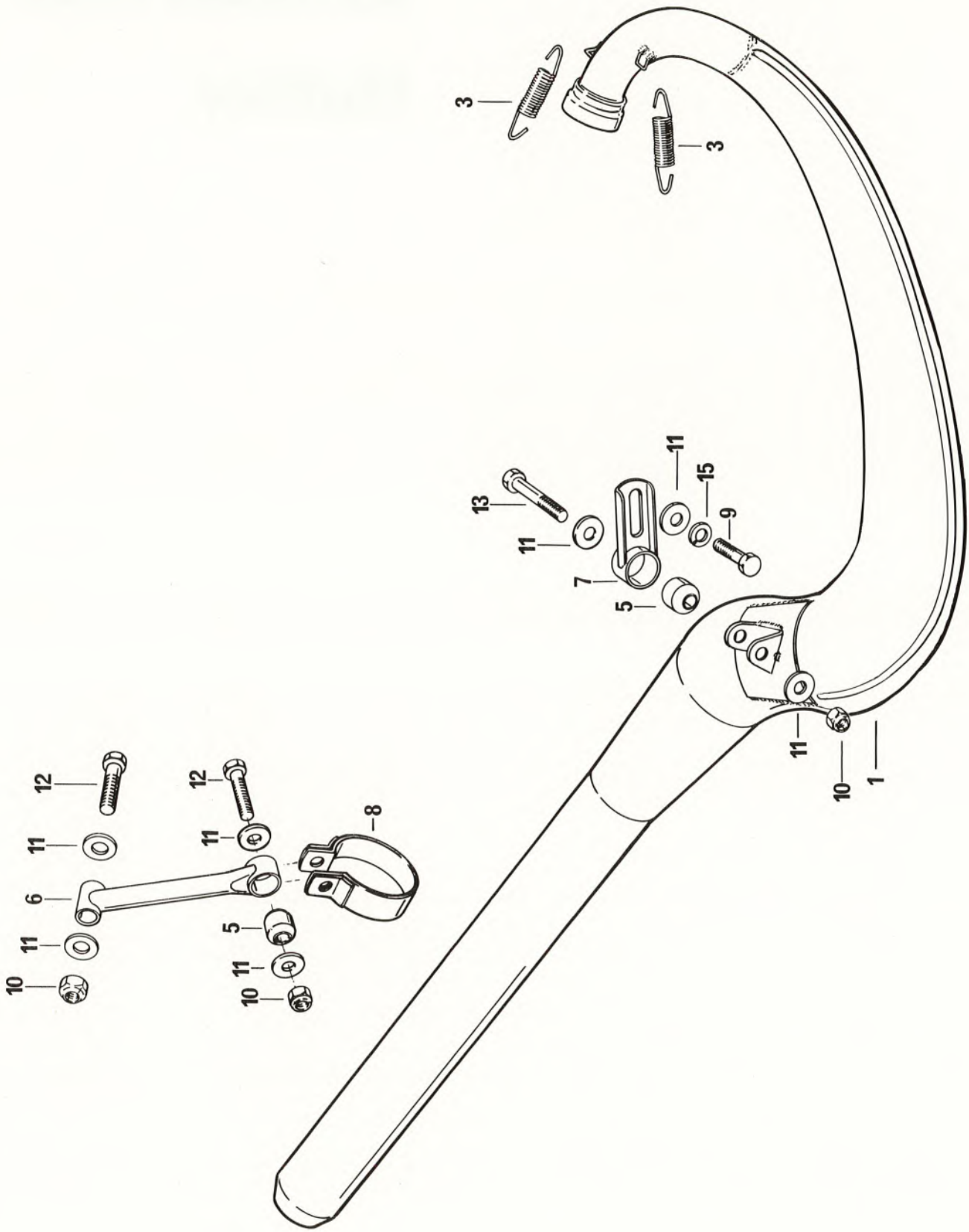
EXHAUST SYSTEM





Exhaust Pipe

Muffler

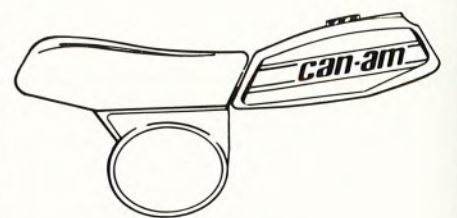


ITEM NO	PART NUMBER	DESCRIPTION	MX-11	MX-11	MX-11
			125	175	250
1	N 745 002 008	Exhaust Pipe.....	1	-	-
	N 745 002 009	Exhaust Pipe.....	-	1	-
	N 745 002 012	Exhaust Pipe.....	-	-	1
3	732 307 001	Spring, Exhaust Pipe.....	2	2	2
5	748 032 000	Center Bounded Mount.....	2	2	2
6	N 746 092 003	Exhaust Pipe Mount Rear.....	1	1	-
	746 092 004	Exhaust Pipe Mount Rear.....	-	-	1
7	746 093 001	Exhaust Pipe Mount Front.....	1	1	1
8	N 745 011 004	Clamp.....	1	1	1
9	222 081 615	Screw, Hex. Head Cap, M8 X 1.25 X 16.	1	1	1
10	228 581 015	Nut, Hex. Elastic Stop, M8 X 1.25....	3	3	3
11	224 081 170	Washer Flat, 8 mm X 17 X 2.....	7	7	7
12	222 084 015	Screw, Hex. Head Cap, M8 X 1.25 X 40.	2	2	2
13	222 083 515	Screw, Hex. Head Cap, M8 X 1.25.....	1	1	1



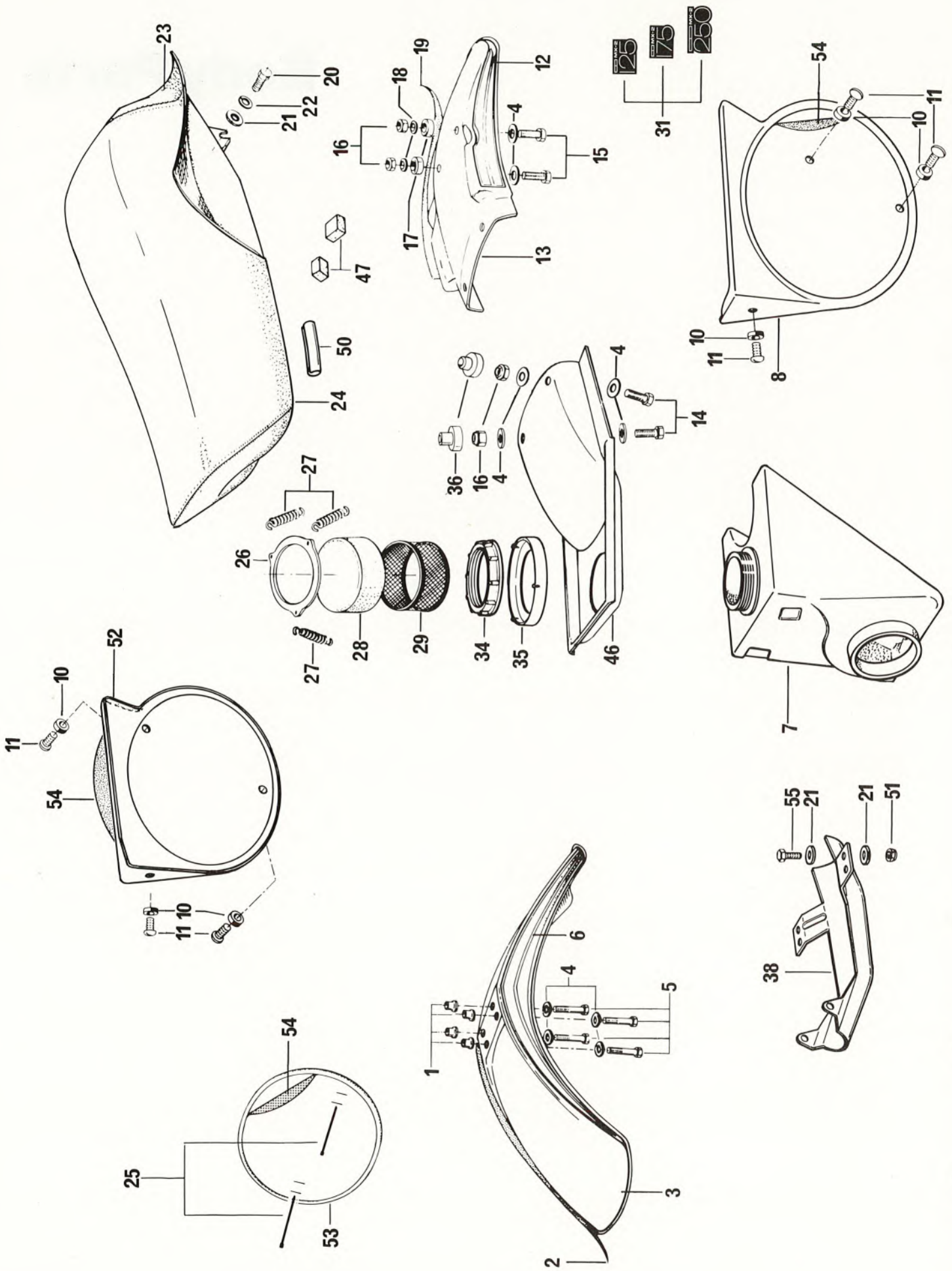
EXHIBIT 100

BODY





Body Parts

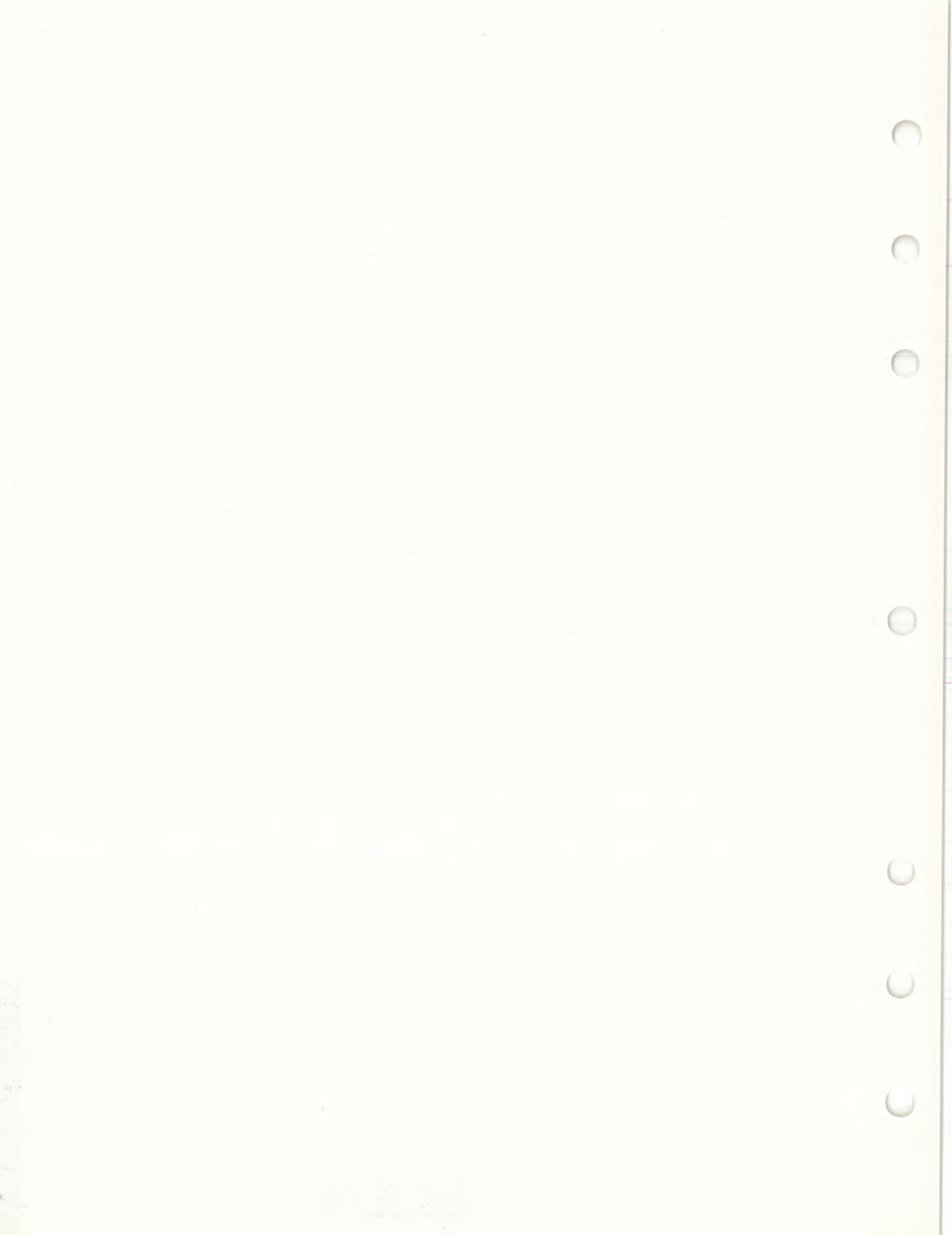


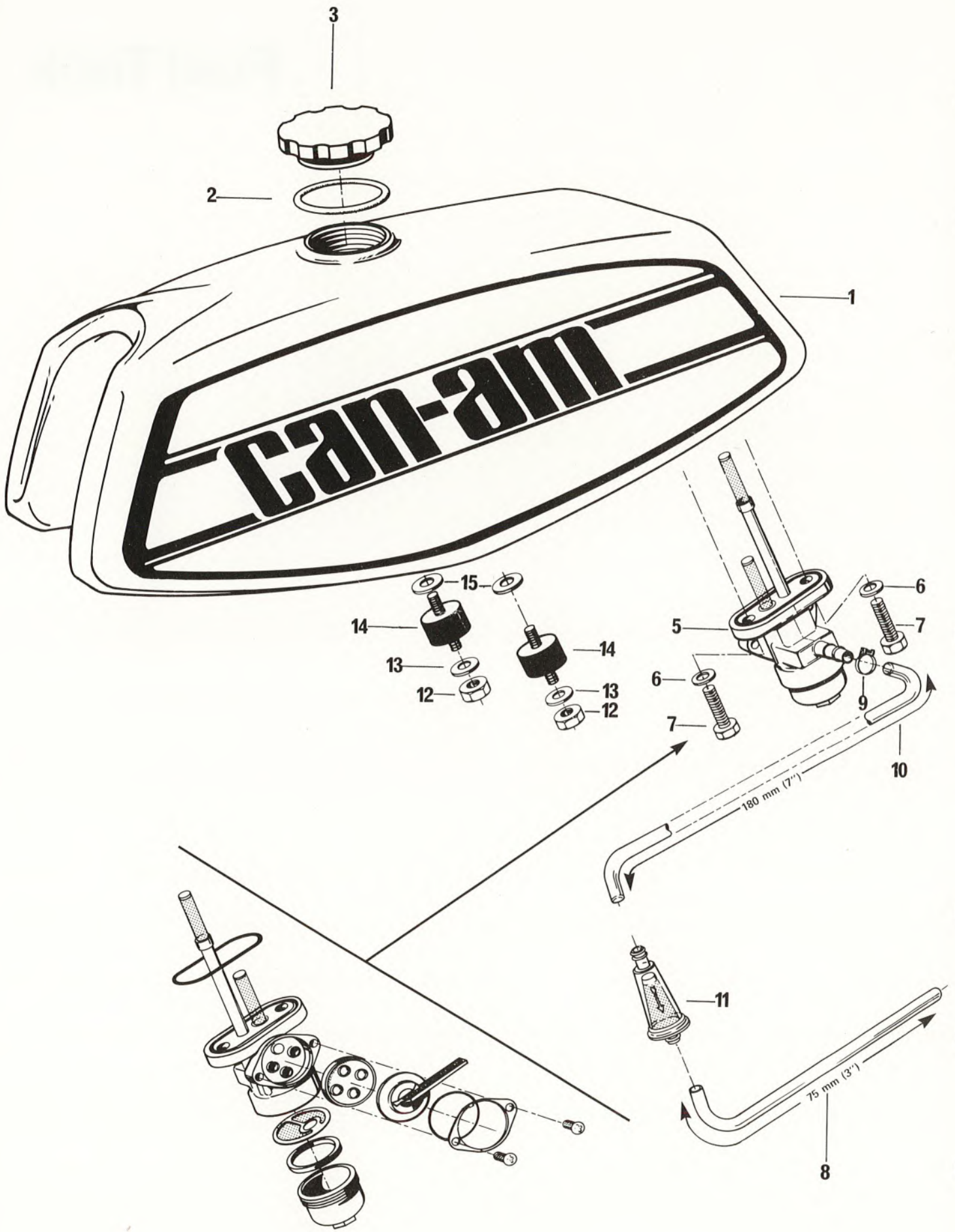
ITEM NO	PART NUMBER	DESCRIPTION	MX-11	MX-11	MX-11
			125	175	250
1	744 002 000	Spacer, Front Fender.....	4	4	4
2	744 026 002	Decal R.H., Front Fender.....	1	1	1
3	744 025 001	Front Fender.....	1	1	1
4	224 060 200	Washer Flat, 6 mm X 20 X 14.....	10	10	10
5	222 063 515	Screw, Hex. Head Cap, M6 X 1.00 X 35.	4	4	4
6	744 026 003	Decal L.H., Front Fender.....	1	1	1
7	740 006 006	Air Box.....	1	1	1
8	N 744 023 005	Side Panel L.H. (Without White Decal)	1	1	1
10	748 016 000	Rubber Washer.....	6	6	6
11	223 861 215	Screw Mach. Slotted Head, M6 X 1.00 X 12.....	6	6	6
12	744 018 005	Decal L.H., Rear Fender.....	1	1	1
13	744 017 002	Rear Fender.....	1	1	1
14	222 061 615	Screw, Hex. Head Cap, M6 X 1.00 X 16.	2	2	2
15	222 062 515	Screw, Hex. Head Cap, M6 X 1.00 X 25.	2	2	2
16	228 561 015	Nut, Hex. Elastic Stop, M6 X 1.00....	4	4	4
17	744 027 000	Spacer, Rear Fender.....	2	2	2
18	224 061 120	Washer Flat, 6 mm X 12 X 1.5.....	2	2	2
19	744 018 004	Decal R.H., Rear Fender.....	1	1	1
20	222 081 615	Screw, Hex. Head Cap, M8 X 1.25 X 16.	4	4	4
21	224 081 170	Washer, 8 mm X 17 X 2.....	6	6	6
22	224 781 140	Lockwasher, 8 mm.....	2	2	2
23	744 014 001	Cover Seat.....	1	1	1
24	744 013 002	Seat Assembly.....	1	1	1
25	414 1152 00	Tie Rap 8".....	2	2	2
26	740 010 000	Retainer, Air Filter.....	1	1	1
27	732 302 000	Spring, Air Filter.....	3	3	3
28	740 009 001	Element, Air Filter.....	1	1	1
29	740 008 000	Frame, Air Filter.....	1	1	1
31	N 744 006 014	Label Identification (Side Panel)....	2	-	-
	N 744 006 015	Label Identification (Side Panel)....	-	2	-
	N 744 006 016	Label Identification (Side Panel)....	-	-	2
34	740 017 000	Plastic Nut.....	1	1	1
35	740 018 000	Pan, Air Filter.....	1	1	1
36	570 1321 00	Grommet, Seat.....	2	2	2
38	744 051 001	Skid Plate.....	1	1	1
46	744 046 000	Splash Pan.....	1	1	1
47	744 048 000	Protector Foam, Seat.....	2	2	2
50	N 748 034 000	Rubber Strip (Long 73.8").....	1	1	1
51	228 581 015	Nut, Hex. Elastic Stop, M8 X 1.25....	2	2	2
52	N 744 022 005	Side Panel R.H. (Without White Decal)	1	1	1
53	744 003 001	Number Plate.....	1	1	1
54	744 053 000	Decal (Number Plate).....	3	3	3
55	222 082 015	Screw, Hex. Head Cap, M8 X 1.25 X 20.	2	2	2



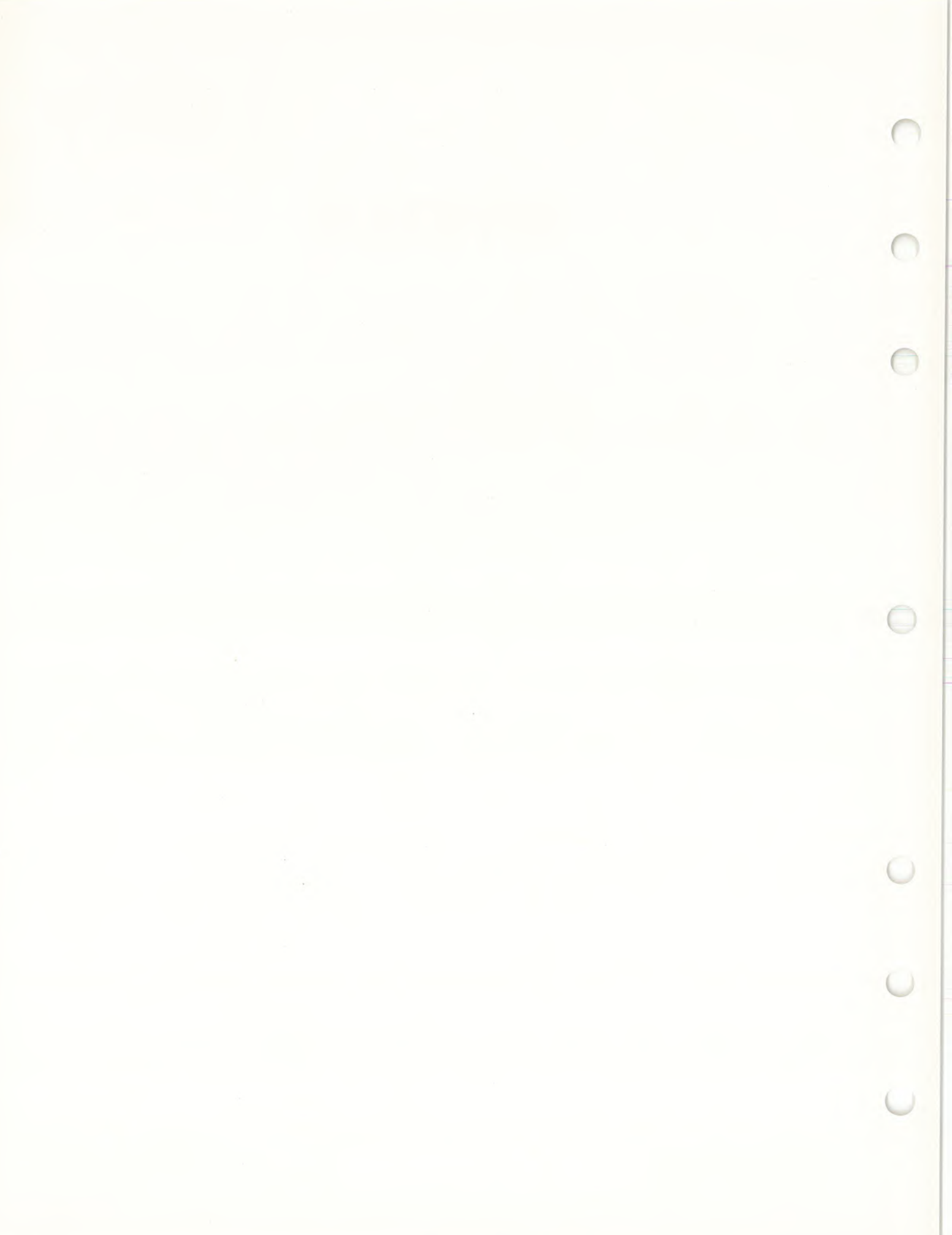
Fuel Tank



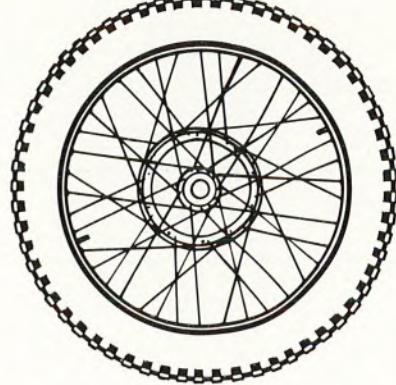


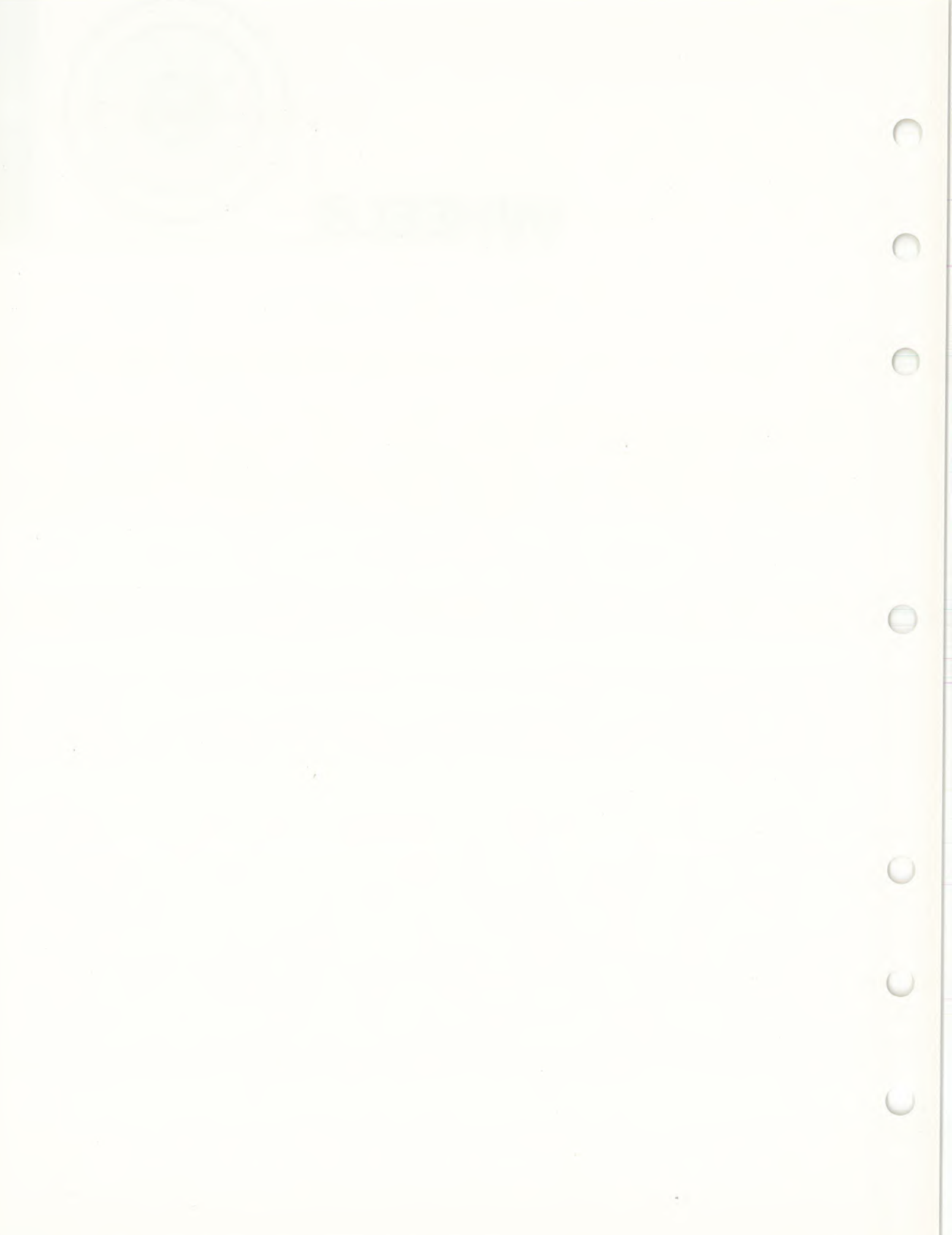


ITEM NO	PART NUMBER	DESCRIPTION	MX-11 125	MX-11 175	MX-11 250
1 to 3	N 744 019 009	Fuel Tank Silk Screened (Small).....	1	1	1
2	732 401 005	O'Ring (Tank Cap).....	1	1	1
3	744 010 001	Fuel Tank Cap.....	1	1	1
5	744 021 000	Fuel Valve.....	1	1	1
6	399 9061 00	Fiber Washer, 9/32 X 1/2 X 1/16.....	2	2	2
7	222 762 015	Screw, Mach. Fill. Slot, M6 X 1.00 X 20.....	2	2	2
8	414 1372 00	Fuel Line, 75 mm (3 in.).....	(25 ft. Roll)		
9	408 8013 00	Hose Clamp.....	1	1	1
10	414 1372 00	Fuel Line 180 mm (7 in.).....	(25 ft. Roll)		
11	744 028 000	Filter, Fuel.....	1	1	1
12	228 561 015	Nut, M6 X 1.00.....	2	2	2
13	224 060 200	Washer Flat, M6 X 1.5 X 20.....	2	2	2
14	748 004 004	Rubber Mount.....	2	2	2
15	570 1230 00	Spacer Rubber.....	AR	AR	AR

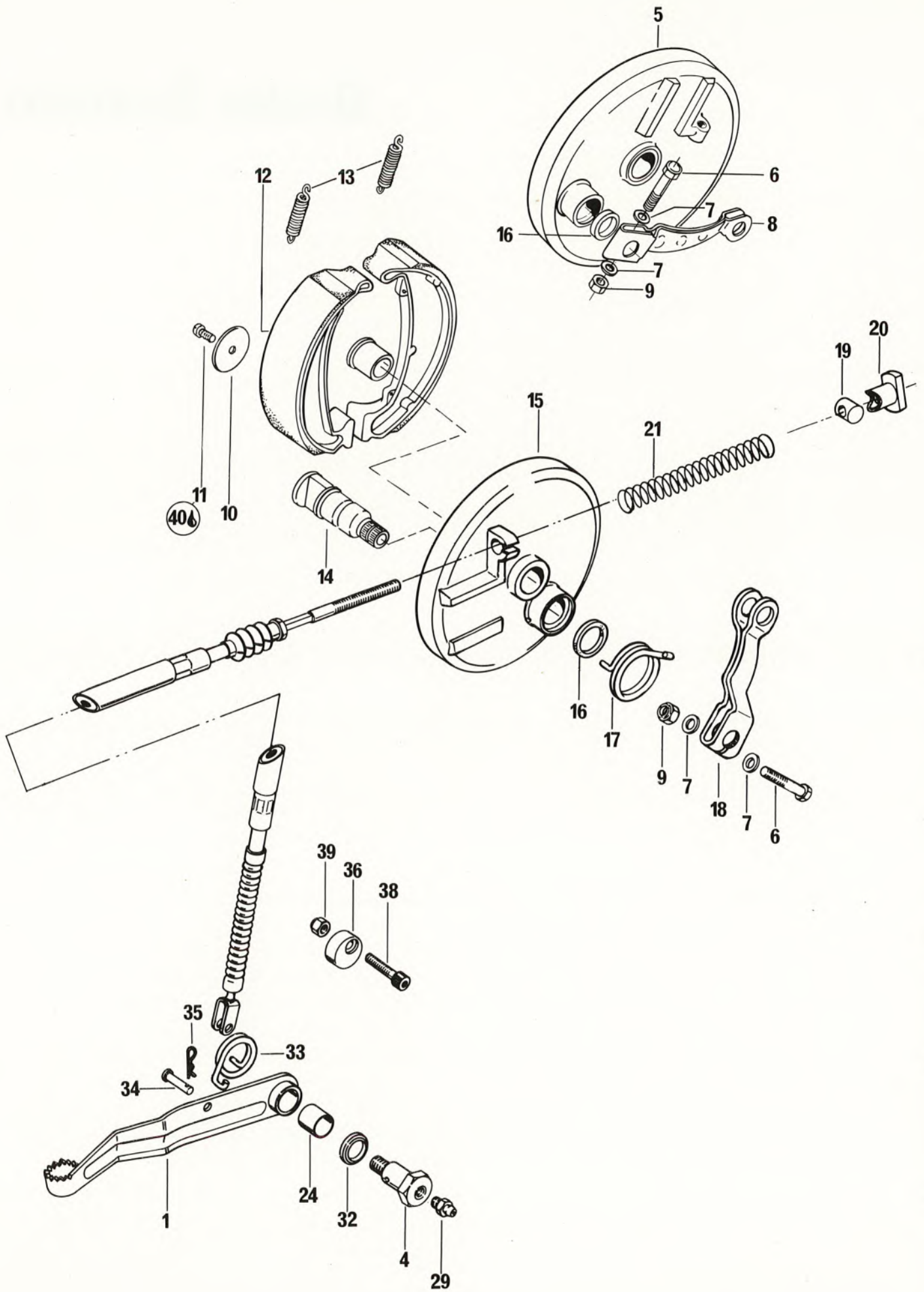


WHEELS

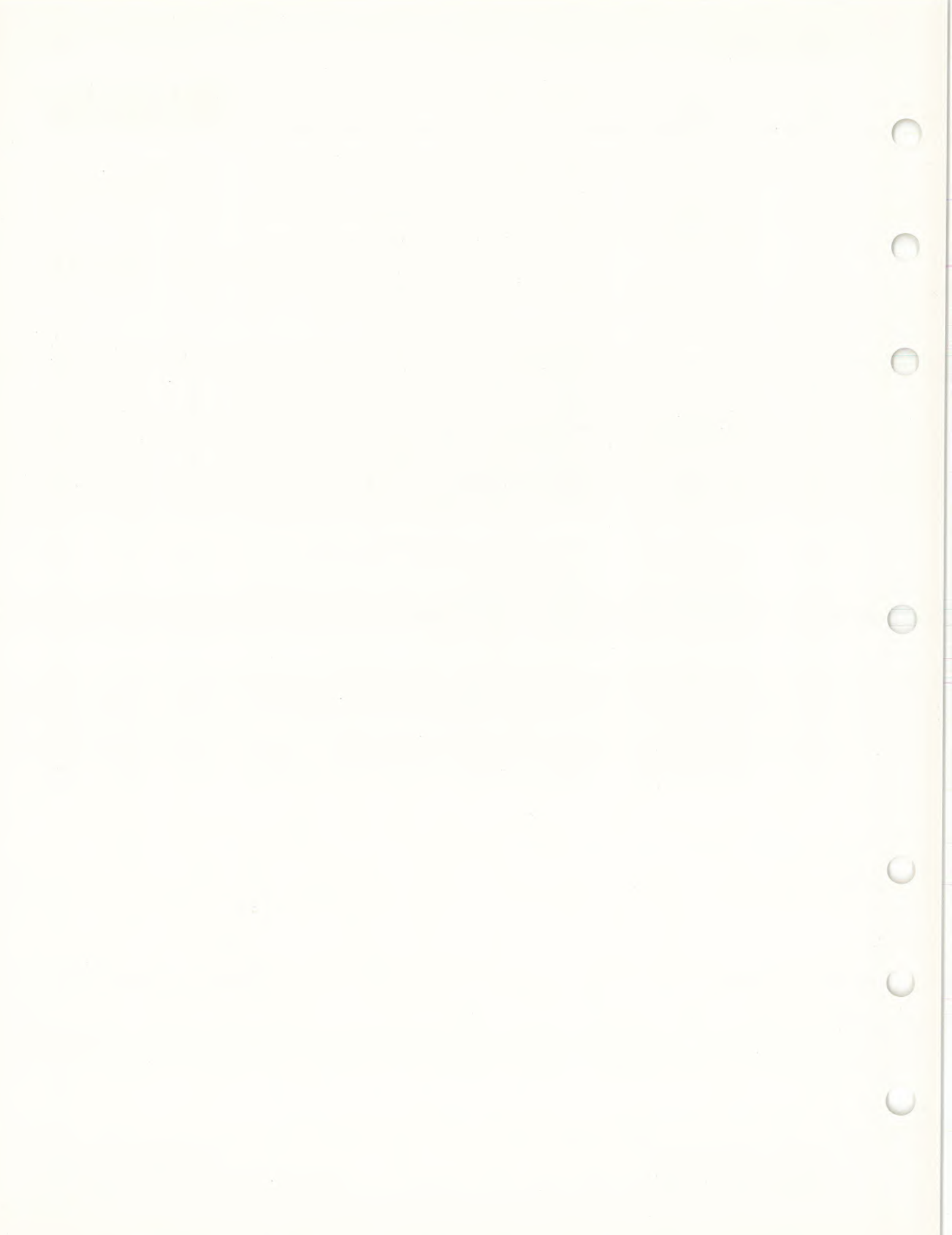




Brake System

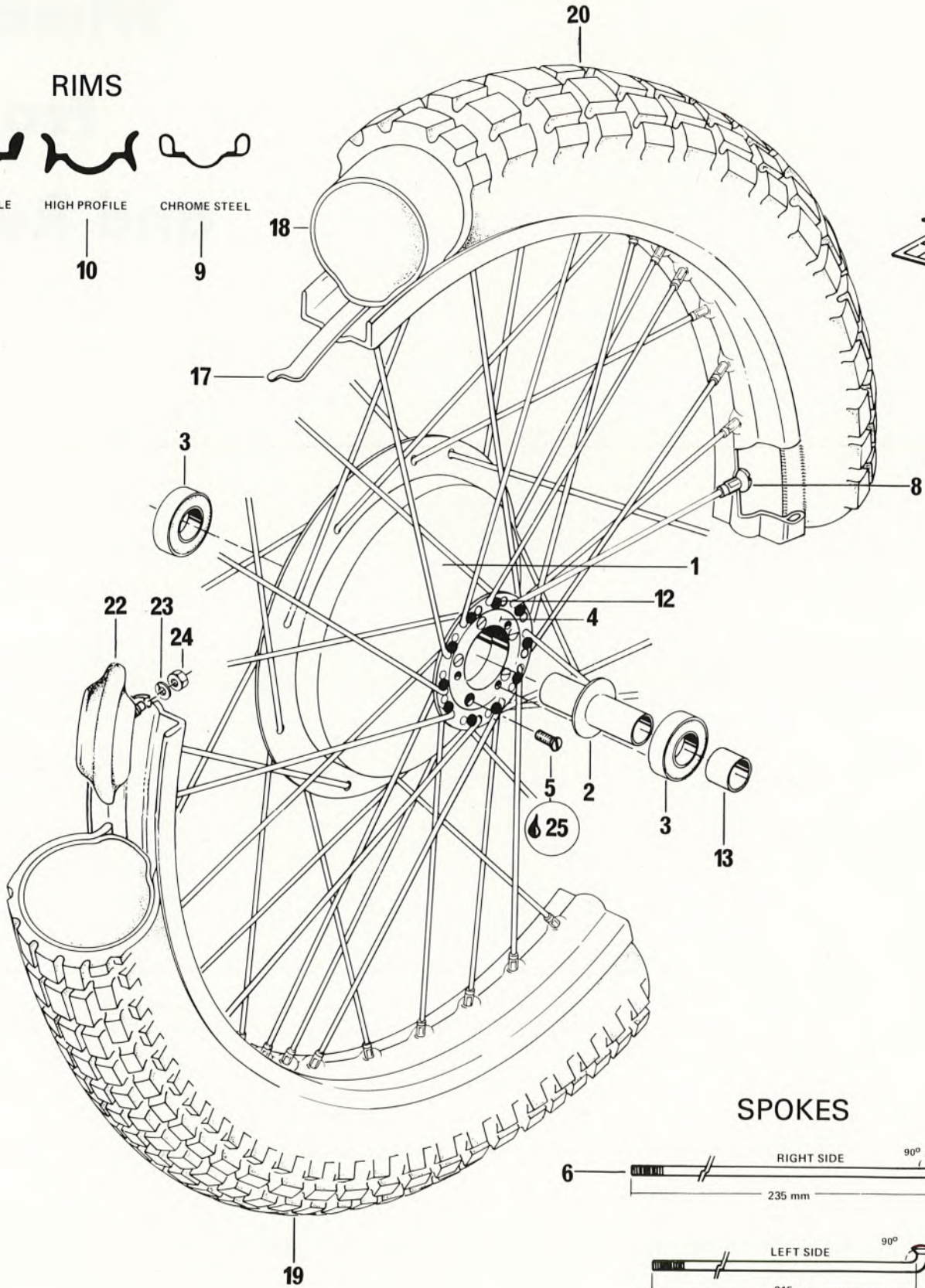
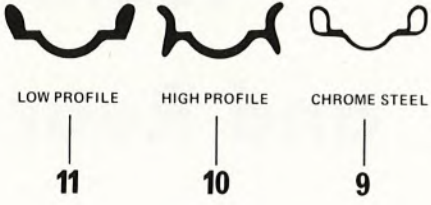


ITEM NO	PART NUMBER	DESCRIPTION	MX-11	MX-11	MX-11
			125	175	250
1	N 746 039 003	Brake Pedal.....	1	1	1
4	746 018 003	Pivot Shaft.....	1	1	1
5	743 029 002	Backing Plate, Front.....	1	1	1
6	222 063 515	Screw, Hex. Head Cap, M6 X 1.00 X 35.	2	2	2
7	224 061 120	Washer Flat, 6 mm X 12 X 1.5.....	4	4	4
8	743 039 001	Brake Arm, Front.....	1	1	1
9	228 561 015	Nut, Hex. Elastic Stop, M6 X 1.00....	2	2	2
10	743 026 000	Washer, Brake Shoe Retaining.....	2	2	2
11	222 551 015	Screw, Slotted Pan Head, M5 X 0.80 X 10.....	2	2	2
12	743 032 001	Brake Shoe.....	4	4	4
13	732 303 001	Spring, Brake Shoe.....	4	4	4
14	743 033 000	Cam.....	2	2	2
15	743 030 002	Backing Plate Rear.....	1	1	1
16	732 106 000	Felt Seal.....	2	2	2
17	732 304 001	Spring, Brake Arm Rear.....	1	1	1
18	743 038 001	Brake Arm, Rear.....	1	1	1
19	746 032 000	Barrel, Rear Brake.....	1	1	1
20	746 033 000	Adjuster Nut, Rear Brake.....	1	1	1
21	732 309 000	Spring, Brake Cable.....	1	1	1
24	746 020 003	Nylon Bushing.....	1	1	1
29	408 2001 00	Grease Fitting.....	1	1	1
32	732 903 001	Washer, Brake Pedal.....	1	1	1
33	732 311 000	Spring, Brake Pedal.....	1	1	1
34	732 872 000	Clevis, Brake Cable.....	1	1	1
35	414 1083 00	Air Pin Cotter, Brake Cable.....	1	1	1
36	N 746 100 000	Eccentric Bushing.....	1	1	1
38	222 982 015	Screw Hex. Head M8 X 1.25 X 20.....	1	1	1
39	228 581 015	Nut, Hex. Elastic Stop, M8.....	1	1	1
40	747 020 000	Loctite No 271.....	AR	AR	AR

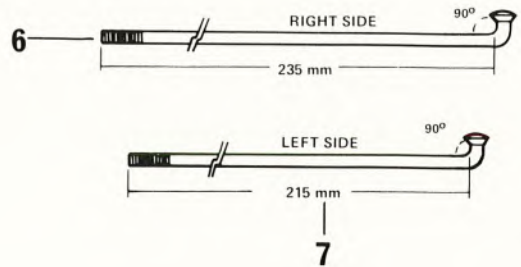


**Wheels,
Front
and Rear.**

RIMS



SPOKES



FRONT WHEEL

1975

ITEM NO	PART NUMBER	DESCRIPTION	MX-11 125	MX-11 175	MX-11 250
1 to 9	743 050 002	Front Wheel Ass'y.....	1	1	1
1	743 019 001	Front Hub.....	1	1	1
2	743 025 000	Spacer, Bearing.....	1	1	1
3	732 705 000	Bearing #6302 RS.....	2	2	2
4	743 027 001	Flange, Spoke.....	1	1	1
5	223 061 215	Screw, Flat Head, (Small hd.) M6 X 1.00 X 12.....	5	5	5
6	743 012 002	Spoke R.H.....	20	20	20
7	743 012 003	Spoke L.H.....	20	20	20
8	743 014 000	Nipple.....	40	40	40
9	743 015 000	Rim (Chrome Steel).....	Opt	Opt	Opt
10	743 015 002	Rim (Alloy High Profile).....	Opt	Opt	Opt
11	743 015 003	Rim (Alloy Low Profile).....	1	1	1
12	748 029 000	Grommet, Spoke Flange.....	10	10	10
13	746 008 000	Spacer R.H.....	1	1	1
17	743 022 000	Rim Liner.....	1	1	1
18	743 010 000	Tube, Inner 300 X 21.....	1	1	1
19	743 007 000	Tire Front, Trials Universal 300-21..	Opt	Opt	Opt
20	743 007 001	Tire Front, Knobby Trelleborg 300-21/4-544 (4 Ply).....	Opt	Opt	Opt
	743 007 002	Tire Front, Knobby Yokohama 300-21/Y-611 (4 Ply).....	Opt	Opt	Opt
	743 007 004	Tire Front, Knobby Trelleborg 300-21 (2 Ply).....	Opt	Opt	Opt
	743 007 005	Tire Front, Knobby Cheng Shin 300-21 (2 Ply).....	Opt	Opt	Opt
	743 007 006	Tire Front, Knobby Cheng Shin 300-21 (4 Ply).....	Opt	Opt	Opt
	743 007 007	Tire Front, Knobby Yokohama 300-21 (2 Ply).....	1	1	1
22	743 052 002	Rim Lock #WM1.....	1	1	1
23	224 781 140	Lockwasher, 8 mm.....	1	1	1
24	228 081 015	Nut, Hex. M8 X 1.25.....	1	1	1
25	747 020 000	Loctite No 271.....	AR	AR	AR

SPOKES

Right Side Inside

90°

197 mm

Butted

Right Side Outside

100°

197 mm

Butted

Left Side

90°

184 mm

RIMS



LOW PROFILE

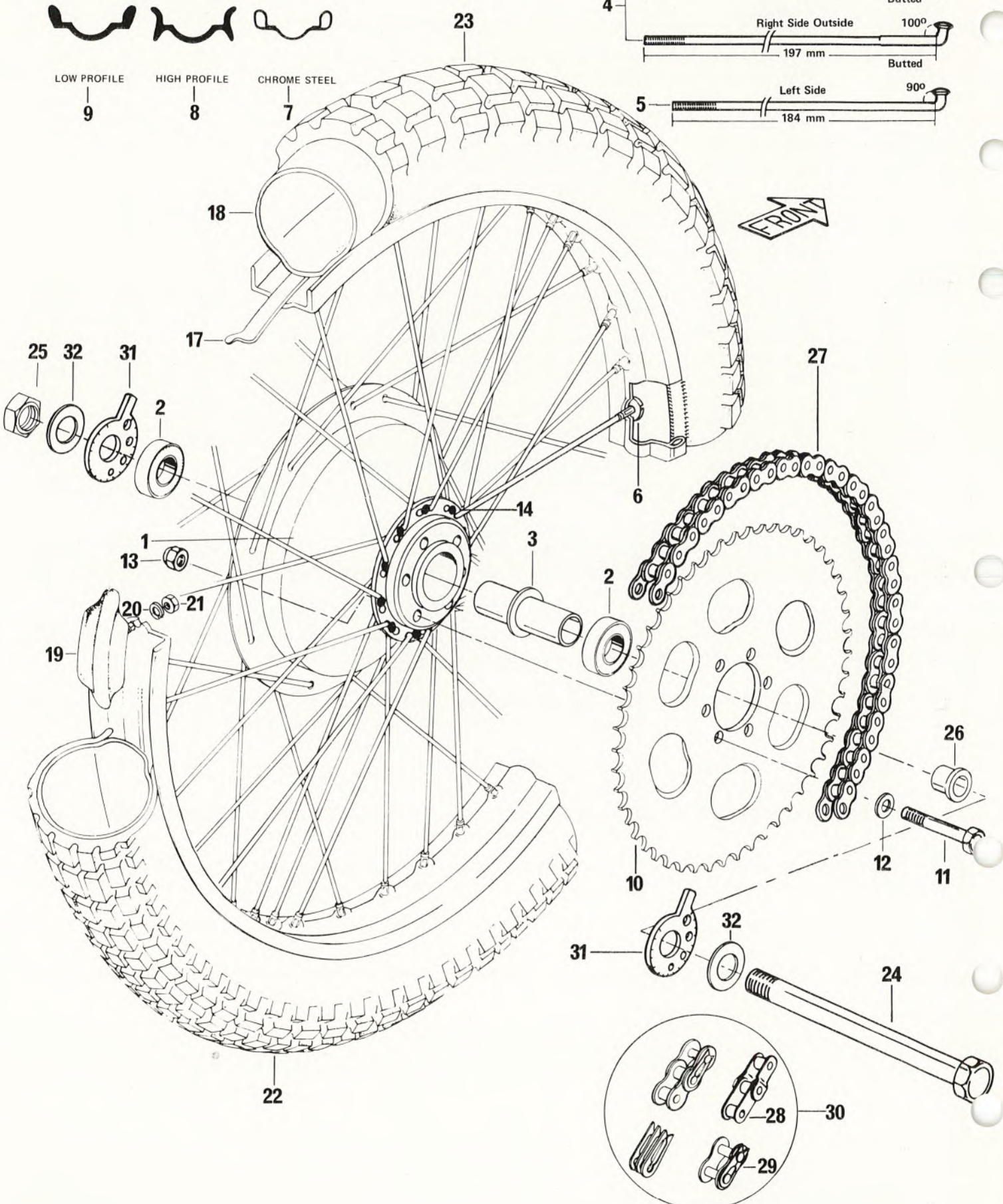
9

HIGH PROFILE

8

CHROME STEEL

7



FRONT

22

23

4

5

25

32

31

2

1

13

20

21

19

14

3

2

27

6

26

12

11

31

32

24

28

30

29

ITEM NO	PART NUMBER	DESCRIPTION	MX-11 125	MX-11 175	MX-11 250
1 to 7	743 049 002	Rear Wheel Ass'y.....	1	1	1
1	743 040 003	Rear Hub.....	1	1	1
2	732 706 000	Bearing # 6303 RS.....	2	2	2
3	743 025 001	Spacer, Bearing.....	1	1	1
4	743 012 008	Spoke R.H., Outside (Heavy Duty).....	10	10	10
	743 012 009	Spoke R.H., Inside (Heavy Duty).....	10	10	10
5	743 012 001	Spoke L.H., Outside.....	10	10	10
	743 012 007	Spoke L.H., Inside.....	10	10	10
6	743 014 000	Nipple.....	40	40	40
7	743 016 000	Rim (Chrome Steel).....	Opt	Opt	Opt
8	743 016 002	Rim (Alloy High Profile).....	Opt	Opt	Opt
9	743 016 003	Rim (Alloy Low Profile).....	1	1	1
10	743 043 021	Sprocket 38T.....	Opt	Opt	Opt
	743 043 020	Sprocket 40T.....	Opt	Opt	Opt
	743 043 010	Sprocket 42T.....	Opt	Opt	Opt
	743 043 011	Sprocket 44T.....	Opt	Opt	Opt
	743 043 012	Sprocket 46T.....	Opt	Opt	Opt
	743 043 022	Sprocket 47T.....	Opt	1	1
	743 043 013	Sprocket 48T.....	Opt	Opt	Opt
	743 043 014	Sprocket 50T.....	1	Opt	Opt
	743 043 015	Sprocket 52T.....	Opt	Opt	Opt
	743 043 016	Sprocket 54T.....	Opt	Opt	Opt
	743 043 017	Sprocket 56T.....	Opt	Opt	Opt
	743 043 018	Sprocket 58T.....	Opt	Opt	Opt
	743 043 019	Sprocket 60T.....	Opt	Opt	Opt
11	222 084 515	Screw, Hex. Head Cap, M8 X 1.25 X 45.	6	6	6
12	224 081 170	Washer Flat, 8 mm X 17 X 2.....	12	12	12
13	228 581 015	Nut, Hex. Elastic Stop, M8 X 1.25....	6	6	6
14	748 029 000	Grommet, Spoke Flange.....	10	10	10
17	743 021 000	Rim Liner.....	1	1	1
18	743 011 000	Tube.....	1	1	1
19 to 21	743 052 004	Rim Lock #WM2.....	2	2	2
	743 052 003	Rim Lock #WM3 (To Be Used With Over-size Tires or Rims).....	Opt	Opt	Opt
20	224 781 140	Lockwasher, 8 mm.....	1	1	1
21	228 081 015	Nut, Hex. M8 X 1.25.....	1	1	1
22	743 006 000	Tire Rear, Trials Universal 400-18...	Opt	Opt	Opt
23	743 006 002	Tire Rear, Knobby Yokohama 400-18/Y-612 (4 Ply).....	Opt	Opt	Opt
	743 006 001	Tire Rear, Knobby Trelleborg 400-18/4-544 (4 Ply).....	Opt	Opt	Opt
	743 006 004	Tire Rear, Knobby Trelleborg 400-18 (2 Ply).....	Opt	Opt	Opt
	743 006 005	Tire Rear, Knobby Cheng Shin 400-18 (2 Ply).....	Opt	Opt	Opt
	743 006 006	Tire Rear, Knobby Cheng Shin 400-18 (2 Ply).....	Opt	Opt	Opt

RIMS



LOW PROFILE

9

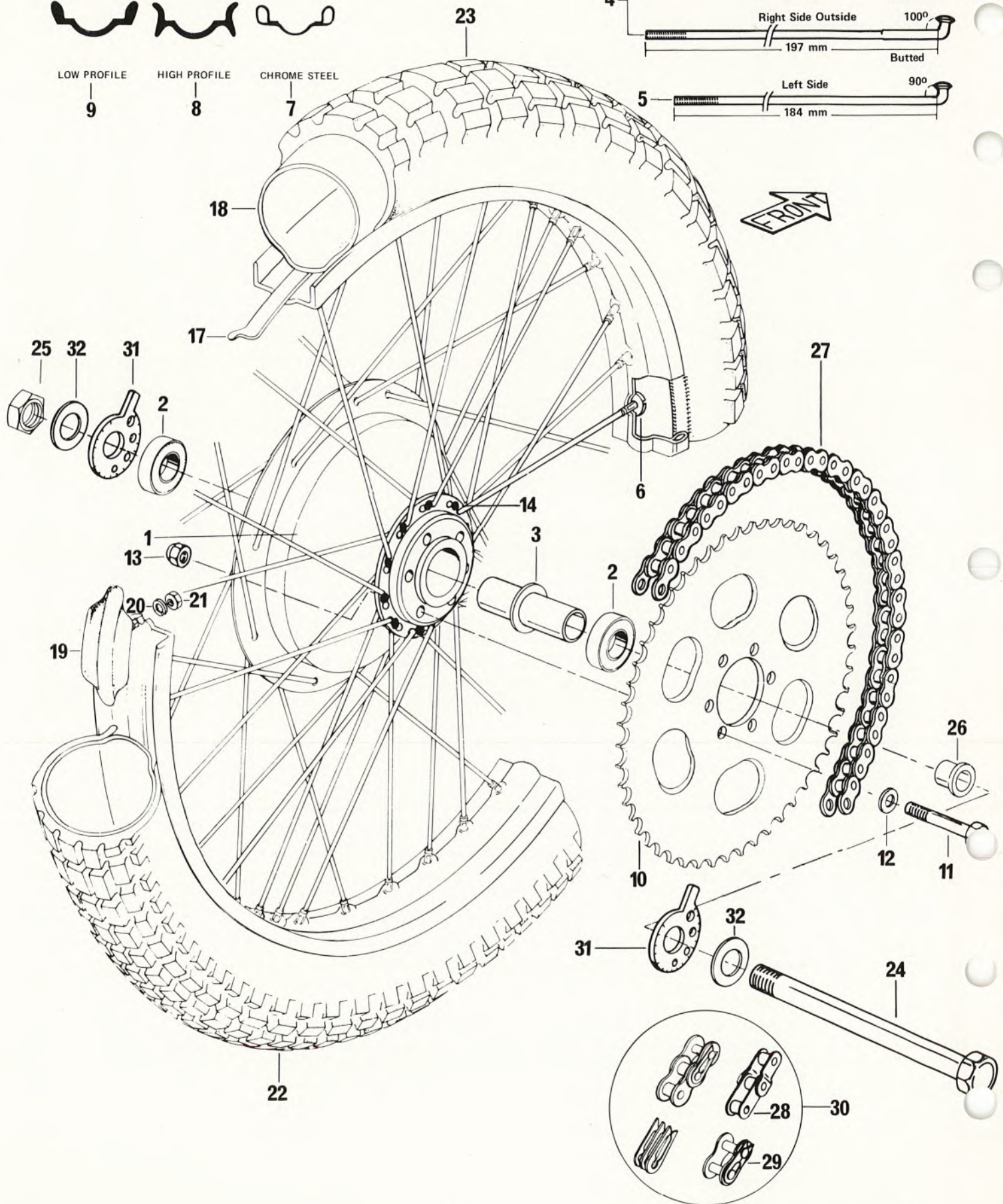
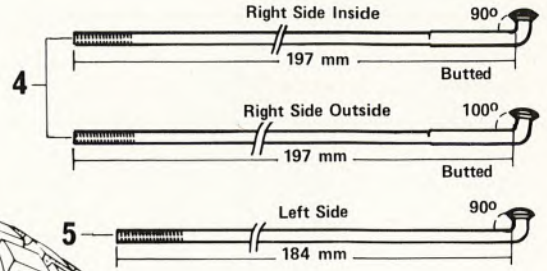
HIGH PROFILE

8

CHROME STEEL

7

SPOKES



ITEM NO	PART NUMBER	DESCRIPTION	MX-11 125	MX-11 175	MX-11 250
	743 006 007	Tire Rear, Knobby Yokohama 410-18 (2 Ply).....	1	1	Opt
	743 006 008	Tire Rear, Knobby Yokohama 460-18 (2 Ply).....	Opt	Opt	1
24	743 004 000	Rear Axle.....	1	1	1
25	746 035 001	Nut, Hex. M16 X 1.50.....	1	1	1
26	746 016 000	Spacer R.H.....	1	1	1
27	743 047 000	Chain Reynolds 110054 (25 ft. Roll)..	Opt	Opt	Opt
	734 047 001	Chain Diamond A 250/148 (25 ft. Roll)	Opt	Opt	Opt
	734 047 002	Chain Shima ES-520 (25 ft. Roll).....	Opt	Opt	Opt
	734 047 003	Chain Daido 520T (25 ft. Roll).....	1	1	1
	743 047 004	Chain Takasago 520 (25 ft. Roll).....	Opt	Opt	Opt
28	743 044 000	Half Link For Reynolds Chain 110054..	Opt	Opt	Opt
	743 044 001	Half Link For Diamond Chain A 520/148	Opt	Opt	Opt
	743 044 002	Half Link For Shima Chain ES-520.....	Opt	Opt	Opt
	743 044 003	Half Link For Daido Chain 520T.....	1	1	1
	743 044 004	Half Link For Takasago 520.....	Opt	Opt	Opt
29	743 045 000	Master Link For Reynolds Chain 110054	Opt	Opt	Opt
	743 045 001	Master Link For Diamond Chain A 520/148.....	Opt	Opt	Opt
	743 045 002	Master Link For Shima Chain ES-520...	Opt	Opt	Opt
	743 045 003	Master Link For Daido Chain 520T.....	1	1	1
	743 045 004	Master Link For Takasago Chain 520...	Opt	Opt	Opt
30	743 046 000	Link Kit For Reynolds Chain 110054...	Opt	Opt	Opt
	743 046 001	Link Kit For Diamond Chain A 520/148.	Opt	Opt	Opt
	743 046 002	Link Kit For Shima Chain ES-520.....	Opt	Opt	Opt
	743 046 003	Link Kit For Daido Chain 520T.....	1	1	1
	743 046 004	Link Kit For Takasago Chain 520.....	Opt	Opt	Opt
31	746 017 000	Adjuster Cam.....	2	2	2
32	746 034 001	Washer Flat, 16 mm X 28 X 2.....	2	2	2

* Chain Length: 102 Rollers, 175 MX-11
 104 Rollers, 125/250 MX-11

