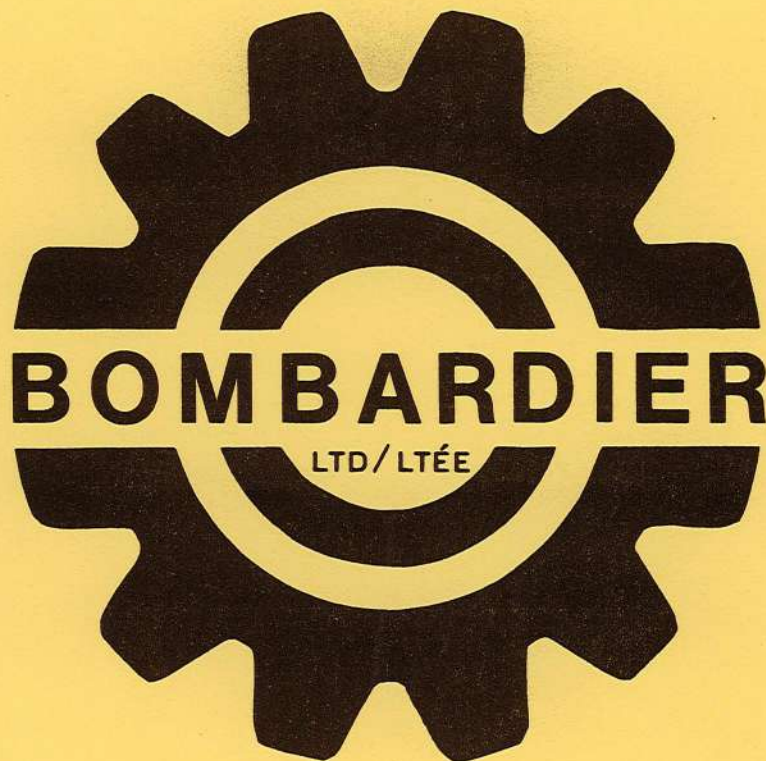


PC-SD-1970

Tous modèles
480 1011

MANUEL
ski-doo
MANUAL



PARTS CATALOG / CATALOGUE DE PIÈCES

1970

VALCOURT QUEBEC CANADA

CAT. 480 1011

ski-doo

OLYMPIC		NORDIC	
15"		18"	
1970			
OLYMPIC	12/3	NORDIC	399
OLYMPIC	335	NORDIC	399E
OLYMPIC	335E	NORDIC	640E
OLYMPIC	399	NORDIC TNT	399
OLYMPIC TNT	292	NORDIC TNT	640
OLYMPIC TNT	340	NORDIC TNT	399S
OLYMPIC TNT	292S	NORDIC TNT	640S
OLYMPIC TNT	340S		

DIVISION SKI-DOO DIVISION

PARTS MANUAL MANUEL PIÈCES

GENERAL INFORMATION PARTS CATALOGUE

ILLUSTRATIONS

The illustrations figuring in this parts catalogue show the typical construction of the different assemblies and, in all cases, may not reproduce the full detail or exact shape of the parts shown, however, they represent parts which have the same or a similar function.

BOMBARDIER Ltd./Ltée

SYMBOLS USED IN THIS PARTS CATALOGUE

AR – in the "Quantity" column means "Use as required".

ILLUSTRATIONS

Les illustrations qui figurent dans ce catalogue de pièces montrent la construction typique des ensembles variés et dans tous les cas peuvent ne pas indiquer la forme exacte, ou le détail de la pièce voulue; cependant, elles ont pour but d'identifier des pièces qui ont la même fonction ou une fonction similaire –

INFORMATION GÉNÉRALE CATALOGUE/PIÈCES

A B B R E V I A T I O N S

Abbreviations as used throughout this list are interpreted as follows:

Abs.	absorber	Freq.	frequency
Accel.	accelerator	Frnt.	front
Acc.	accessory	F/tank	fuel tank
A/cond.	air conditioning	Gen.	generator
Adj.	adjuster, adjusting	Gov.	governor
Alum.	aluminum	H/brake	hand brake
Amp.	ampere	Hd.	head
&	and	H/lp. or h/lamp	headlamp
Approx.	approximate-or-ly	Hdls.	headless
Arm.	armature	Htr.	heater
Assy.	assembly	Hex.	hexagon
As req.	as required	Hge.	hinge
Att.	attaching	Hsg.	housing
A.L.	autolife	Hydr.	hydraulic
Auto	automatic	Ign.	ignition
Bbl.	barrel	In.	inch
Brg.	bearing	I.D.	inside diameter
Brkt.	bracket	Inst.	instrument or instruction
Bush.	bushing	Inst. pnl.	instrument panel
Ca.	cadmium	Lp.	lamp
Canc.	cancelled	Lea.	leather
C/L	center line	Lt.	left
Chr.	chromium	LHD	left hand drive
C/breaker	circuit breaker	L.H. thd	left hand thread
C.A.P.	clean air package	Lgh.	length
C/nut	clinch nut	Loc.	location
Comb.	combination	L/washer	lockwasher
Compt.	compartment	L.C.	low compression
Comp.	component	Lwr.	lower
Compl.	complete	Manif.	manifold
Compr.	compressor	Man.	manual
Ck.	countersunk	M/cyl.	master cylinder
C/bar	cross bar	Mech.	mechanism
C/member	cross member	Med.	medium
Cyl.	cylinder	M.P.H.	miles per hour
Defl.	deflector	Mtr.	motor
Diag.	diagonal	Mldg.	moulding
Dia. \varnothing	diameter	Mtg.	mounting
Diff.	differential	Neg.	negative
Dir.	directional	No. or #	number
Dist.	distributor, distributing	Opng.	opening
Div.	division, divisional	Oper.	operating
Elec. or elect.	electric	Opp.	opposite
Eng.	engine	Ppt.	optional
Equip.	equipment	Orna.	ornament
Etc.	et cetera	Oz.	ounce
Exh.	exhaust	O/S	outside
Ext.	extension	O/side	outside
Fast.	fastening, fastener	O.D.	outside diameter
Fil. hd.	fillister head	O/S	oversize
Fin.	finish	Pkg.	package
Fl. hd.	flat head	Pnl.	panel
Flr.	floor	Park.	parking
Ft.	foot or feet	P/lamp	parking lamp

ABBREVIATIONS

(suite)

Pln. plain
P/washer plainwasher
Pltd plated
Pt. point
Pos. positive
Lbs. pounds
Pwr. power
Prop. propeller
Qtr. quarter
Rad. radiator
Rr. rear
Rec. receiver
Refl. reflector
Reg. regulator
Reinf. reinforcement
Rem. remote
Repl. replacement
Req. required
Ret. retainer
R.P.M. revolutions per minute
Rt. right
RHD right hand drive
R.H. thd. right hand thread
Rd. round
Sed. section
Sig. signal
S/r shaft single rocker shaft
Spd. speed
Speedo speedometer
Spec. equip. special equipment
Sq. square
Std. standard
S. steel
Strg. steering

Stght. straight
Supt. support
Susp. suspension
Sw. switch
Synch. synchronizer
Tap. tapping
T/lamp tail lamp
T/gate tail gate
T/plate. tapping plate
T/bolt. tee-bolt
Temp. temperature
Term. terminal
T. teeth
Thk. thick
Trans. transmission
Tub. turn signal
U-Body underbody
U/drive underdrive
U/S. undersize
Univ. universal
U.J. universal joint
Upr. upper
Vac. vacuum
Vari. variable
Vent. ventilator- ing
Vert. vertical
V. volt
V/wing vent wing
Vol. cont. volume control
W/strip. weatherstrip
Whl. wheel
W/shield windshield
W/ with
W/O. without

INDEX

TRACK
DRIVE
WHEEL
SUSPENSION
TRANSMISSION
SKI
STEERING

SECTION 1

ENGINE
FUEL
THROTTLE
EXHAUST

SECTION 2

ELECTRICAL

SECTION 3

FRAME
BODY

SECTION 4

ACCESSORIES

SECTION 5

MISCELLANEOUS

SECTION 6





SECTION 1

TRACK

DRIVE (AXLE)

WHEEL

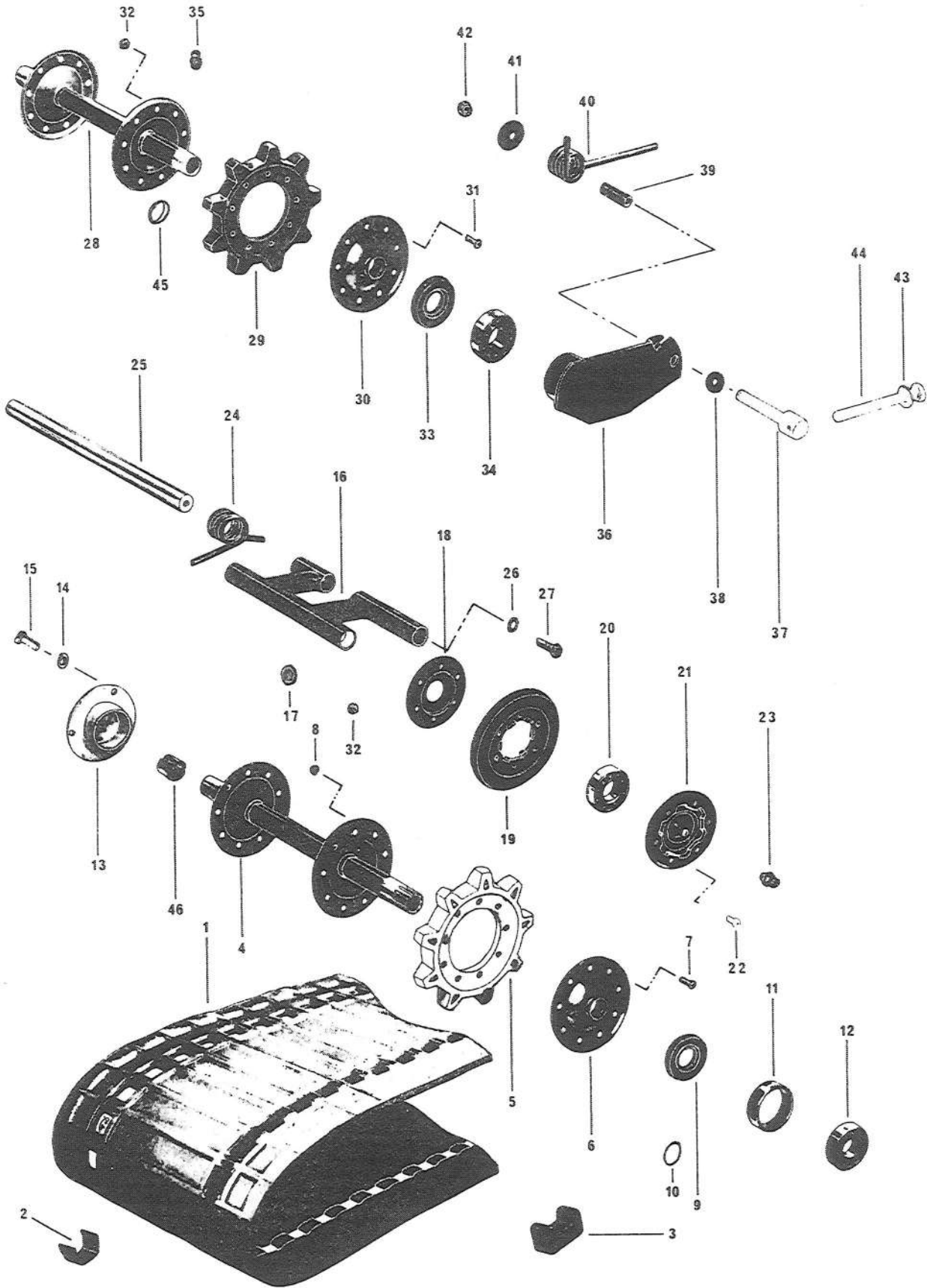
SUSPENSION

TRANSMISSION

SKI

STEERING/BRAKE

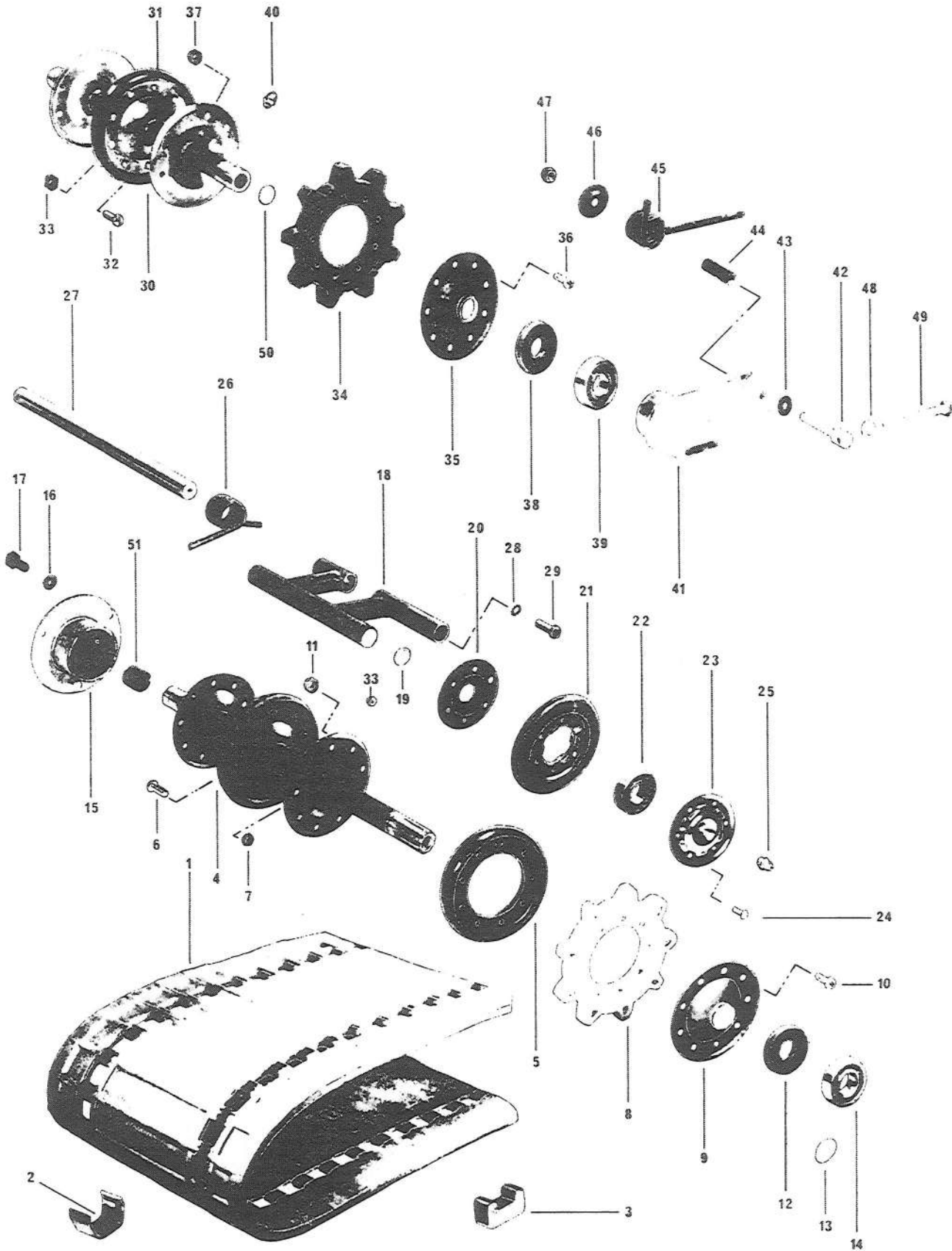
SUSPENSION (OLYMPIC)



SUSPENSION (OLYMPIC)

ITEM NO.	PART NO.	DESCRIPTION	QUANTITY					
			12/3	335	335E	399	TNT 292	TNT 340
1	570 0002	Track W/Insert	1	1	1	1	1	1
2	570 0003	Insert	AR	AR	AR	AR	AR	AR
3	529 0003	Insert Block (Tool)	AR	AR	AR	AR	AR	AR
4	501 0022	Drive Axle	1	1	1		1	1
4	501 0026	Drive Axle				1		
5	414 0001	Sprocket	2	2	2	2	2	2
6	501 0018	Mobile Flange	2	2	2	2	2	2
7	320 1102	Screw	18	18	18	18	18	18
8	387 2019	Nut	18	18	18	18	18	18
9	581 1017	Seal W/Spring	2	2	2	2	2	2
10	414 0153	Spring for Seal	2	2	2		2	2
11	501 0015	Spacer.....				1		
12	405 4002	Bearing	2	2	2	2	2	2
13	501 0007	End Bearing Housing.....	1	1	1	1		
13	501 0034	End Bearing Housing.....					1	1
14	392 0019	Washer	3	3	3	3	3	3
15	300 0000	Screw	3	3	3	3	3	3
16	502 0002	Wheel Support	6	6	6	6	6	6
17	502 0011	Cap.....	12	12	12	12	12	12
18	502 0015	Inner Flange	12	12	12	12	12	12
19	570 0205	Wheel Tire	12	12	12	12	12	12
20	405 4002	Bearing.....	12	12	12	12	12	12
21	502 0016	Outer Flange	12	12	12	12	12	12
22	320 1062	Screw	72	72	72	72	72	72
23	408 2001	Grease Fitting	12	12	12	12	12	12
24	502 0010	Spring (Front 1/4 Ø)	4	4	4	4	4	4
24	502 0020	Spring (Rear 9/32 Ø)	2	2	2	2	2	2
25	502 0008	Cross Shaft	3	3	3	3	3	3
26	399 8001	Washer	6	6	6	6	6	6
27	300 8043	Screw	6	6	6	6	6	6
28	503 0043	Rear Hub	1	1	1	1	1	1
29	570 0101	Sprocket.....	2	2	2	2		
29	414 0327	Sprocket.....					2	2
30	501 0018	Mobile Flange	2	2	2	2	2	2
31	320 1062	Screw	18	18	18	18	18	18
32	387 3013	Nut	90	90	90	90	90	90
33	570 0301	Seal	2	2	2	2	2	2
34	405 4002	Bearing	2	2	2	2	2	2
35	408 2001	Grease Fitting	2	2	2	2	2	2
36	503 0035	R.H. Link Plate	1	1	1	1	1	1
36	503 0036	L.H. Link Plate	1	1	1	1	1	1
37	503 0028	Adjuster Eye Bolt	2	2	2	2	2	2
38	503 0044	Hardener Washer.....	2	2	2	2	2	2
39	503 0040	Adjuster Sleeve	2	2	2	2	2	2
40	503 0025	R.H. Spring	1	1	1	1	1	1
40	503 0023	L.H. Spring	1	1	1	1	1	1
41	503 0016	Retainer Washer	2	2	2	2	2	2
42	389 8037	Nut	2	2	2	2	2	2
43	399 9007	Washer	2	2	2	2	2	2
44	309 8027	Screw	2	2	2	2	2	2
45	503 0049	Cap	2	2	2	2	2	2
46	414 0361	Speedo Drive Insert					1	1

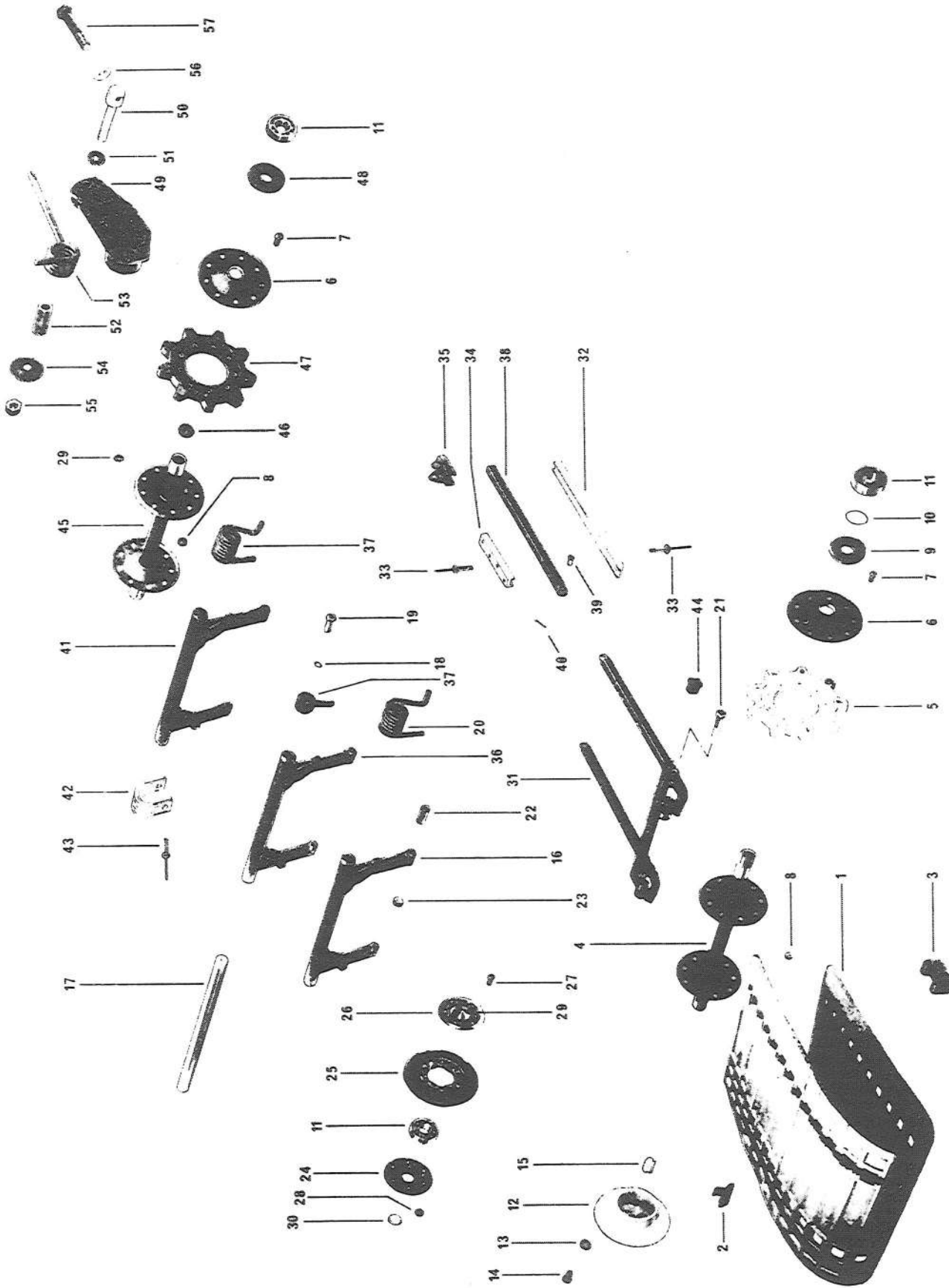
SUSPENSION (NORDIC)



SUSPENSION (NORDIC)

ITEM NO.	PART NO.	DESCRIPTION	QUANTITY				
			399	399E	640E	TNT 399	TNT 640
1	570 0004	Track W/Insert.....	1	1		1	1
1	570 0007	Track W/Insert.....			1		
2	570 0003	Insert.....	AR	AR	AR	AR	AR
3	529 0003	Insert Block (Tool).....	AR	AR	AR	AR	AR
4	501 0023	Drive Axle W/Idler.....	1	1		1	
4	501 0025	Drive Axle W/Idler.....			1		1
5	570 0304	Idler.....	1	1	1	1	1
6	320 1062	Screw.....	9	9	9	9	9
7	387 3013	Nut.....	9	9	9	9	9
8	414 0001	Sprocket.....	2	2	2	2	2
9	501 0018	Mobile Flange.....	2	2	2	2	2
10	320 1102	Screw.....	18	18	18	18	18
11	387 2019	Nut.....	18	18	18	18	18
12	581 1017	Seal W/Spring.....	2	2	2	2	2
13	414 0153	Spring for Seal.....	2	2	2	2	2
14	405 4002	Bearing.....	2	2	2	2	2
15	501 0007	End Bearing Housing.....	1	1			
15	501 0034	End Bearing Housing.....			1	1	1
16	392 0019	Washer.....	3	3	3	3	3
17	300 0000	Screw.....	3	3	3	3	3
18	502 0021	Wheel Support.....	6	6	6	6	6
19	502 0011	Cap.....	12	12	12	12	12
20	502 0015	Inner Flange.....	12	12	12	12	12
21	570 0205	Wheel Tire.....	12	12			
21	570 0206	Wheel Tire W/Cotton.....			12	12	12
22	405 4002	Bearing.....	12	12	12	12	12
23	502 0016	Outer Flange.....	12	12	12	12	12
24	320 1062	Screw.....	72	72	72	72	72
25	408 2001	Grease Fitting.....	12	12	12	12	12
26	502 0010	Spring Front 1/4 Ø.....	4	4	4	4	4
26	502 0020	Spring Rear 9/32 Ø.....	2	2	2	2	2
27	502 0014	Cross Shaft.....	3	3	3	3	3
28	399 8001	Washer.....	6	6	6	6	6
29	300 8043	Screw.....	6	6	6	6	6
30	503 0050	Rear Hub.....	1	1	1	1	1
31	570 0304	Idler.....	1	1	1	1	1
32	320 1062	Screw.....	9	9	9	9	9
33	387 3013	Nut.....	81	81	81	81	81
34	570 0101	Sprocket.....	2	2			
34	414 0327	Sprocket.....			2	2	2
35	501 0018	Mobile Flange.....	2	2	2	2	2
36	320 1062	Screw.....	18	18	18	18	18
37	387 3013	Nut.....	18	18	18	18	18
38	570 0301	Seal.....	2	2	2	2	2
39	405 4002	Bearing.....	2	2	2	2	2
40	408 2001	Grease Fitting.....	2	2	2	2	2
41	503 0035	R.H. Link Plate.....	1	1	1	1	1
41	503 0036	L.H. Link Plate.....	1	1	1	1	1
42	503 0028	Adjuster Eye Bolt.....	2	2	2	2	2
43	503 0044	Hardened Washer.....	2	2	2	2	2
44	503 0040	Adjuster Sleeve.....	2	2	2	2	2
45	503 0033	R.H. Spring.....	1	1	1	1	1
45	503 0034	L.H. Spring.....	1	1	1	1	1
46	503 0016	Retainer Washer.....	2	2	2	2	2
47	389 8037	Nut.....	2	2	2	2	2
48	399 9007	Washer.....	2	2	2	2	2
49	309 8027	Screw.....	2	2	2	2	2
50	503 0049	Cap.....	2	2	2	2	2
51	414 0361	Speedo Drive Insert.....			1	1	1

SUSPENSION (OLYMPIC)



SUSPENSION (OLYMPIC)

ITEM NO.	PART NO.	DESCRIPTION	QUANTITY	
			TNT 2925	TNT 3405
1	570 0010	Track W/Insert	1	1
2	570 0008	Insert	AR	AR
3	529 0003	Insert Block (Tool)	AR	AR
4	501 0022	Drive Axle	1	1
5	414 0001	Sprocket	4	4
6	501 0018	Mobile Flange	18	18
7	320 1102	Screw	18	18
8	387 2019	Nut	2	2
9	581 1017	Seal W/Spring	2	2
10	414 0153	Spring for Seal	2	2
11	405 4002	Bearing	6	6
12	501 0034	End Bearing Housing	1	1
13	392 0019	Washer	3	3
14	300 0000	Screw	3	3
15	414 0361	Drive Insert	1	1
16	503 0056	Cross Support (Front)	1	1
17	502 0008	Cross Shaft	4	4
18	399 8001	Washer	8	8
19	300 8043	Screw	8	8
20	414 0681	L.H. Front Spring	1	1
20	414 0680	R.H. Front Spring	1	1
21	300 1048	Screw	8	8
22	503 0054	Sleeve	8	8
23	389 8037	Nut	8	8
24	502 0015	Inner Flange	2	2
25	570 0205	Wheel Tire	2	2
26	502 0016	Outer Flange	2	2
27	320 1062	Screw	30	30
28	387 3013	Nut	30	30
29	408 2001	Grease Fitting	4	4
30	502 0011	Cap	2	2
31	503 0057	Runner Tube (Front)	1	1
32	560 3001	Slider Shoe	4	4
33	390 4022	Rivet	44	44
34	560 3002	Sliding Pad	6	6
35	503 0055	Slider	6	6
36	503 0058	Cross Support (Center)	1	1
37	414 0683	L.H. Spring	3	3
37	414 0682	R.H. Spring	3	3
38	503 0059	Runner Tube (Rear)	2	2
39	414 0340	Clevis Pin	2	2
40	371 0011	Cotter Pin	2	2
41	503 0060	Cross Support (Rear)	2	2
42	414 0526	Track Protector	4	4
43	390 4023	Rivet	8	8
44	570 1728	End Cap	2	2
45	503 0043	Rear Hub	1	1
46	503 0049	Cap	2	2
47	414 0327	Sprocket	2	2
48	570 0301	Seal	2	2
49	503 0035	R.H. Link Plate	1	1
49	503 0036	L.H. Link Plate	1	1
50	503 0028	Adjuster Eye Bolt	2	2
51	503 0044	Hardened Washer	2	2
52	503 0040	Adjuster Sleeve	2	2
53	503 0025	R.H. Spring	1	1
53	503 0023	L.H. Spring	1	1
54	503 0016	Retainer Washer	2	2
55	389 8037	Nut	2	2
56	399 9007	Washer	2	2
57	309 8027	Screw	2	2

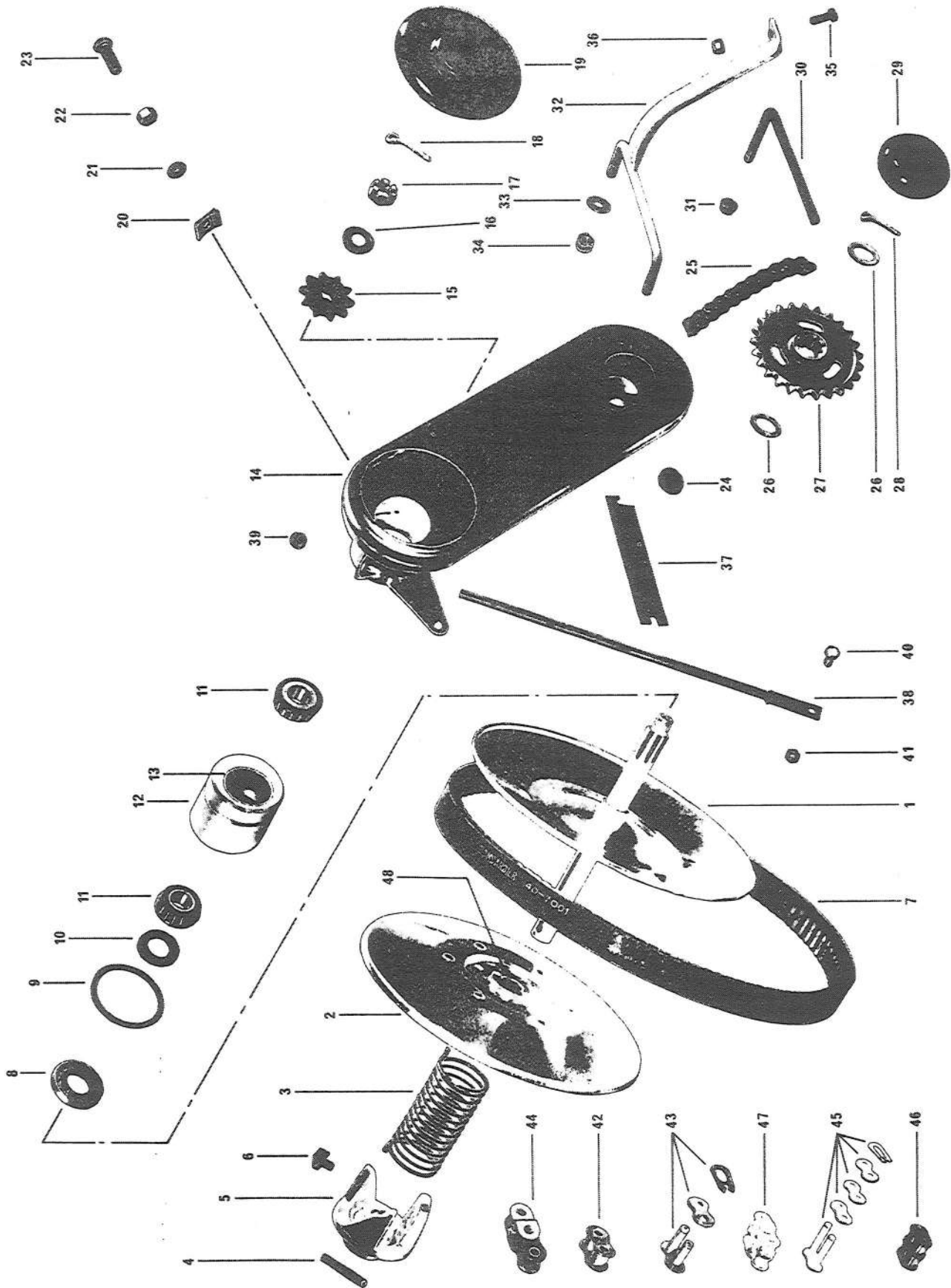
SUSPENSION (NORDIC)



SUSPENSION (NORDIC)

ITEM NO.	PART NO.	DESCRIPTION	QUANTITY	
			TNT 399S	TNT 640S
1	570 0009	Track w/Insert.....	1	1
2	570 0008	Insert.....	AR	AR
3	529 0003	Insert Block (Tool).....	AR	AR
4	501 0023	Drive Axle.....	1	
4	501 0025	Drive Axle.....		1
5	570 0304	Idler.....	2	2
6	320 1062	Screw..... (Rear Hub).....	48	48
7	387 3013	Nut..... (Rear Hub).....	48	48
8	414 0001	Sprocket.....	2	2
9	501 0018	Mobile Flange.....	4	4
10	320 1102	Screw.....	18	18
11	387 2019	Nut.....	18	18
12	581 1017	Seal w/Spring.....	2	2
13	414 0153	Spring for Seal.....	2	2
14	501 0015	Spacer.....	1	1
15	405 4002	Bearing.....	6	6
16	414 0361	Drive Insert.....	1	1
17	501 0034	End Bearing Housing.....	1	1
18	392 0019	Washer.....	3	3
19	300 0000	Screw.....	3	3
20	503 0064	Cross Support (Front).....	1	1
21	502 0014	Cross Shaft.....	4	4
22	399 8001	Washer.....	8	8
23	300 8043	Screw.....	8	8
24	414 0681	L.H. Front Spring.....	1	1
24	414 0680	R.H. Front Spring.....	1	1
25	300 1048	Screw.....	8	8
26	503 0054	Sleeve.....	8	8
27	389 8037	Nut..... (2 Retainer Washers).....	10	10
28	502 0015	Inner Flange.....	2	2
29	570 0205	Wheel Tire.....	2	2
30	502 0016	Outer Flange.....	2	2
31	408 2001	Grease Fitting.....	2	2
32	502 0011	Cap.....	2	2
33	503 0065	Runner Tube (Front).....	1	1
34	560 3001	Slider Shoe.....	4	4
35	560 3002	Sliding Pad.....	6	6
36	390 4022	Rivet.....	44	44
37	503 0055	Slider.....	6	6
38	503 0063	Cross Support (Center).....	1	1
39	414 0524	L.H. Spring.....	4	4
39	414 0531	R.H. Spring.....	4	4
40	503 0059	Runner Tube (Rear).....	2	2
41	414 0340	Clevis Pin.....	2	2
42	371 0011	Cutter Pin.....	2	2
43	503 0063	Cross Support (Rear).....	2	2
44	414 0526	Track Protector.....	4	4
45	390 4023	Rivet.....	8	8
46	570 1728	End Cap.....	2	2
47	503 0050	Rear Hub.....	1	1
48	414 0327	Sprocket.....	2	2
49	570 0301	Seal.....	2	2
50	503 0049	Cap.....	2	2
51	503 0035	R.H. Link Plate.....	1	1
51	503 0036	L.H. Link Plate.....	1	1
52	503 0028	Adjuster Eye Bolt.....	2	2
53	503 0044	Hardened Washer.....	2	2
54	503 0040	Adjuster Sleeve.....	2	2
55	503 0025	R.H. Spring.....	1	1
55	503 0023	L.H. Spring.....	1	1
56	503 0016	Retainer Washer.....	2	2
57	399 9007	Washer.....	2	2
58	309 8027	Screw.....	2	2

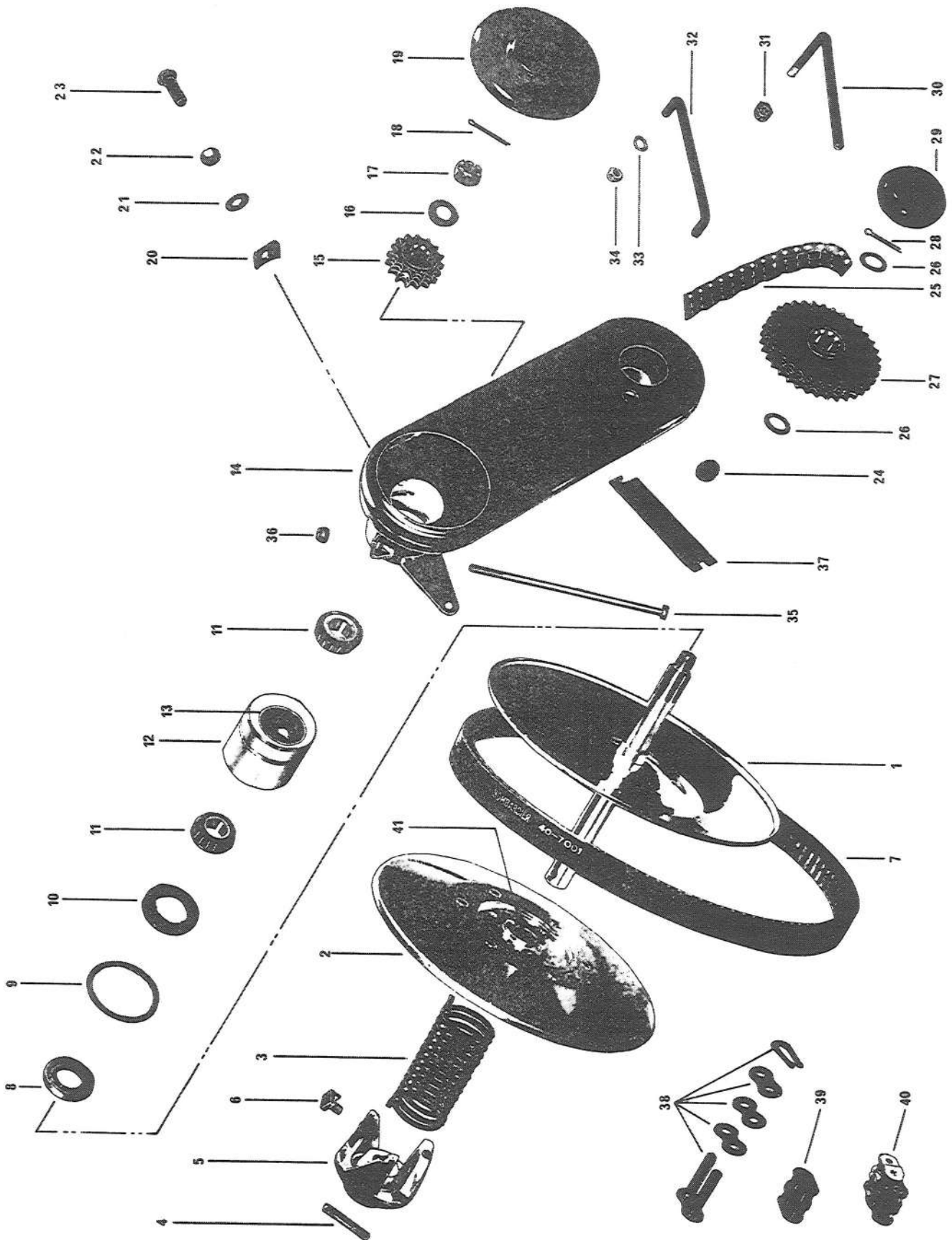
TRANSMISSION (OLYMPIC)



TRANSMISSION (OLYMPIC)

ITEM NO.	PART NO.	DESCRIPTION	QUANTITY							
			12/3	335	335E	399	TNT 292	TNT 340	TNT 292 S	TNT 340S
1	504 1037	Fixed Pulley Half	1	1	1	1	1	1	1	1
2	504 1029	Sliding Pulley	1	1	1	1	1	1	1	1
3	414 0125	Spring	1	1	1	1	1	1	1	1
4	372 1123	Roll Pin	1	1	1	1	1	1	1	1
5	560 4001	Outer Cam	1	1	1	1	1	1	1	1
6	414 0126	Cam Slider Shoe	3	3	3	3	3	3	3	3
7	570 0411	Drive Belt	1	1	1	1	1	1	1	1
8	406 3001	Oil Seal	1	1	1	1	1	1	1	1
9	406 0001	"O" Ring	1	1	1	1	1	1	1	1
10	504 0046	Oil Retainer Ring	1	1	1	1	1	1	1	1
11	405 0001	Bearing Cone	2	2	2	2	2	2	2	2
12	504 0100	Tensioner W/Cup	1	1	1	1	1	1	1	1
13	405 0002	Bearing Cup	2	2	2	2	2	2	2	2
14	504 0066	Chain Case	1	1	1		1	1	1	1
14	504 0077	Chain Case				1				
15	504 0008	Sprocket 10 Teeth	1				1		1	
15	504 0009	Sprocket 11 Teeth		1	1					
15	504 0061	Sprocket 16 Teeth Double				1		1		1
16	504 0015	Washer	1	1	1	1	1	1	1	1
17	381 2028	Nut	1	1	1	1	1	1	1	1
18	371 0011	Cotter Pin	1	1	1	1	1	1	1	1
19	570 0403	Inspection Cover	1	1	1	1	1	1	1	1
20	504 0072	Segment	1	1	1	1	1	1	1	1
21	399 8016	Washer	1	1	1	1	1	1	1	1
22	380 9024	Nut	1	1	1	1	1	1	1	1
23	300 4084	Screw	1	1	1	1	1	1	1	1
24	570 0406	Plug	1	1	1	1	1	1	1	1
25	412 1003	Driving Chain 1/2" P.	1				1		1	
25	412 1006	Driving Chain 1/2" P.		1	1					
25	412 1007	Driving Chain 3/8" P.				1		1		1
26	504 0039	Spacer	2	2	2	2	2	2	2	2
27	504 0013	Sprocket 25 Teeth	1	1	1		1		1	
27	504 0045	Sprocket 34 Teeth Double				1		1		1
28	371 0013	Cotter Pin	1	1	1	1	1	1	1	1
29	570 0413	Access Plug	1	1	1	1	1	1	1	1
30	504 0087	Bracket	1	1	1		1	1	1	1
30	504 0086	Bracket				1				
31	386 6022	Nut	1	1	1	1	1	1	1	1
32	504 0052	L.H. Footrest	1	1	1		1	1	1	1
32	504 0047	"U" Clamp				1				
33	391 0023	Washer	2	2	2	2	2	2	2	2
34	386 6022	Nut	2	2	2	2	2	2	2	2
35	300 1001	Screw	1	1	1		1	1	1	1
36	386 6019	Nut	1	1	1		1	1	1	1
37	504 0020	Shim	AR	AR	AR	AR	AR	AR	AR	AR
38	504 0050	Hinge Rod	1	1	1	1	1	1	1	1
39	386 6022	Nut	1	1	1	1	1	1	1	1
40	300 1001	Screw	1	1	1	1	1	1	1	1
41	380 6019	Nut	1	1	1	1	1	1	1	1
42	412 6010	Inner Link 1/2" P.	AR	AR	AR		AR		AR	
43	412 6001	Connecting Link 1/2" P.	AR	AR	AR		AR		AR	
44	412 6002	Cranked Link 1/2" P.	AR	AR	AR		AR		AR	
45	412 6007	Connecting Link Double 3/8" P.				AR		AR		AR
46	412 6012	Inner Link Double 3/8" P.				AR		AR		AR
47	412 6008	Cranked Link Double 3/8" P.				AR		AR		AR
48	405 6002	Bushing	1	1	1	1	1	1	1	1

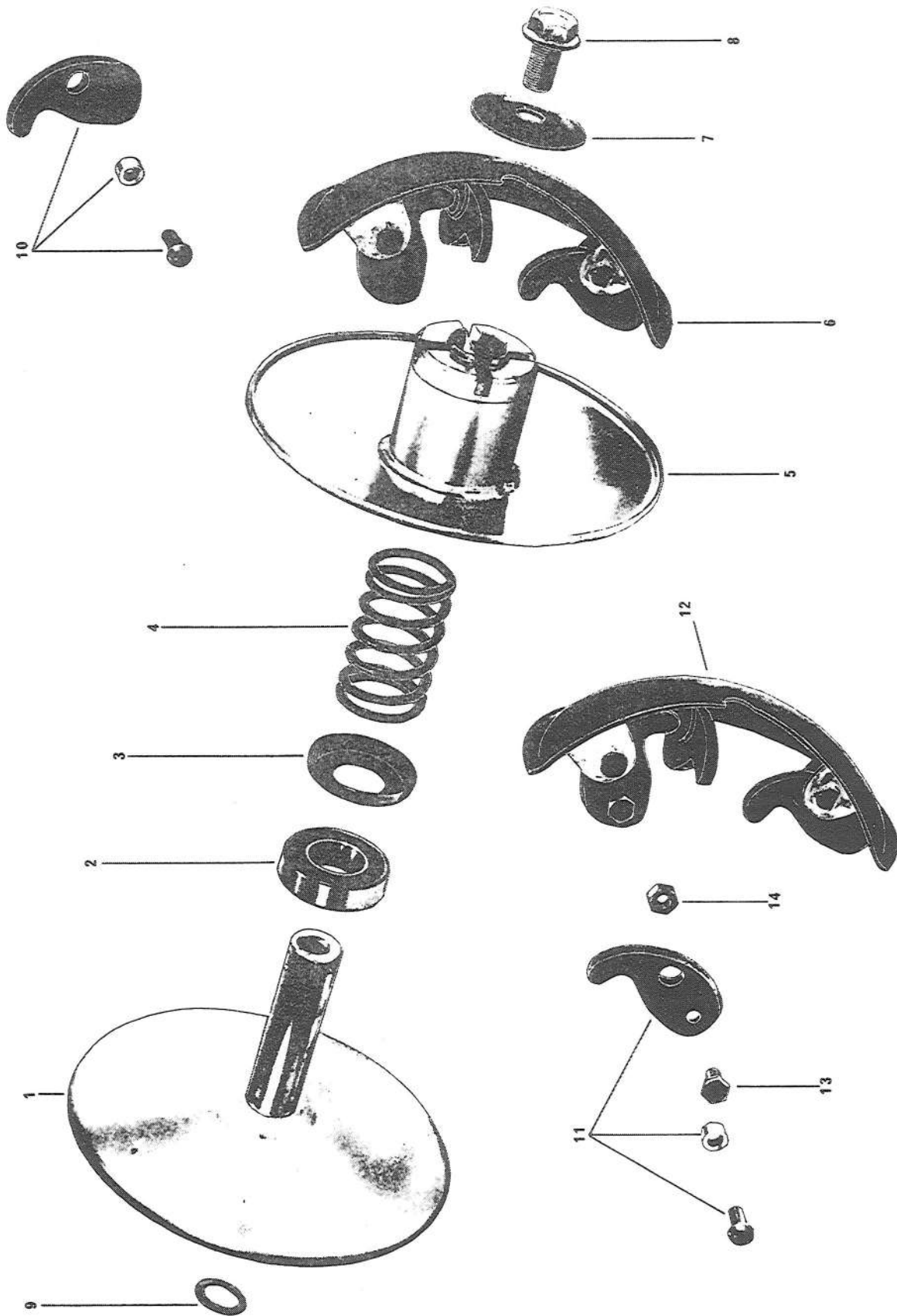
TRANSMISSION (NORDIC)



TRANSMISSION (NORDIC)

ITEM NO.	PART NO.	DESCRIPTION	QUANTITY						
			399	399E	640E	TNT 399	TNT 640	TNT 399S	TNT 640S
1	504 1037	Fixed Pulley Half.....	1	1		1		1	
1	504 1046	Fixed Pulley Half.....			1		1		1
2	504 1029	Sliding Pulley.....	1	1		1		1	
2	504 1030	Sliding Pulley.....			1		1		1
3	414 0125	Spring.....	1	1		1		1	
3	414 0138	Spring.....			1		1		1
4	372 1123	Roll Pin.....	1	1		1		1	
4	372 1124	Roll Pin.....			1		1		1
5	560 4001	Outer Cam.....	1	1		1		1	
5	504 1035	Outer Cam.....			1		1		1
6	414 0126	Cam Slider Shoe.....	3	3	3	3	3	3	3
7	570 0411	Drive Belt.....	1	1					
7	570 0414	Drive Belt.....			1	1	1	1	1
8	406 3001	Oil Seal.....	1	1		1		1	
8	406 3002	Oil Seal.....			1		1		1
9	406 0001	"O" Ring.....	1	1		1		1	
9	406 0003	"O" Ring.....			1		1		1
10	504 0046	Oil Retainer Ring.....	1	1		1		1	
10	504 0058	Oil Retainer Ring.....			1		1		1
11	405 0001	Bearing Cone.....	2	2		2		2	
11	405 0004	Bearing Cone.....			2		2		2
12	504 0100	Tensioner W/Cup.....	1	1		1		1	
12	504 0101	Tensioner W/Cup.....			1		1		1
13	405 0002	Bearing Cup.....	2	2		2		2	
13	405 0003	Bearing Cup.....			2		2		2
14	504 0074	Chain Case.....	1	1		1		1	
14	504 0073	Chain Case.....			1		1		1
15	504 0061	Sprocket 16 Teeth.....	1	1		1		1	
15	504 0083	Sprocket 20 Teeth.....			1		1		1
16	504 0015	Washer.....	1	1		1		1	
16	417 0009	Washer.....			1		1		1
17	381 2028	Nut.....	1	1		1		1	
17	389 8024	Nut.....			1		1		1
18	371 0011	Cotter Pin.....	1	1		1		1	
18	371 0032	Cotter Pin.....			1		1		1
19	570 0403	Inspection Cover.....	1	1	1	1	1	1	1
20	504 0072	Segment.....	1	1	1	1	1	1	1
21	399 8016	Washer.....	1	1	1	1	1	1	1
22	380 9024	Nut.....	1	1	1	1	1	1	1
23	300 4084	Screw.....	1	1	1	1	1	1	1
24	570 0406	Plug.....	1	1	1	1	1	1	1
25	412 1007	Driving Chain.....	1	1		1		1	
25	412 1010	Driving Chain.....			1		1		1
26	504 0039	Spacer.....	2	2	2	2	2	2	2
27	504 0045	Sprocket 34 Teeth.....	1	1	1	1	1	1	1
28	371 0013	Cotter Pin.....	1	1	1	1	1	1	1
29	570 0413	Access Plug.....	1	1	1	1	1	1	1
30	504 0087	Bracket.....	1	1		1		1	
30	504 0088	Bracket.....			1		1		1
31	386 6022	Nut.....	1	1	1	1	1	1	1
32	504 0042	"U" Clamp.....	1	1		1		1	
32	504 2038	"U" Clamp.....			1		1		1
33	391 0023	Washer.....	2	2	2	2	2	2	2
34	386 6022	Nut.....	2	2	2	2	2	2	2
35	309 8030	Special Screw.....	1	1	1	1	1	1	1
36	386 6022	Nut.....	1	1	1	1	1	1	1
37	504 0020	Shim.....	AR	AR	AR	AR	AR	AR	AR
38	412 6007	Connecting Link Double 3/8 P.....	AR	AR	AR	AR	AR	AR	AR
39	412 6012	Inner Link Double 3/8 P.....	AR	AR	AR	AR	AR	AR	AR
40	412 6008	Cranked Link Double 3/8 P.....	AR	AR	AR	AR	AR	AR	AR
41	405 6002	Bushing.....	1	1		1		1	
41	405 8003	Bushing.....			1		1		1

TRANSMISSION (NORDIC)



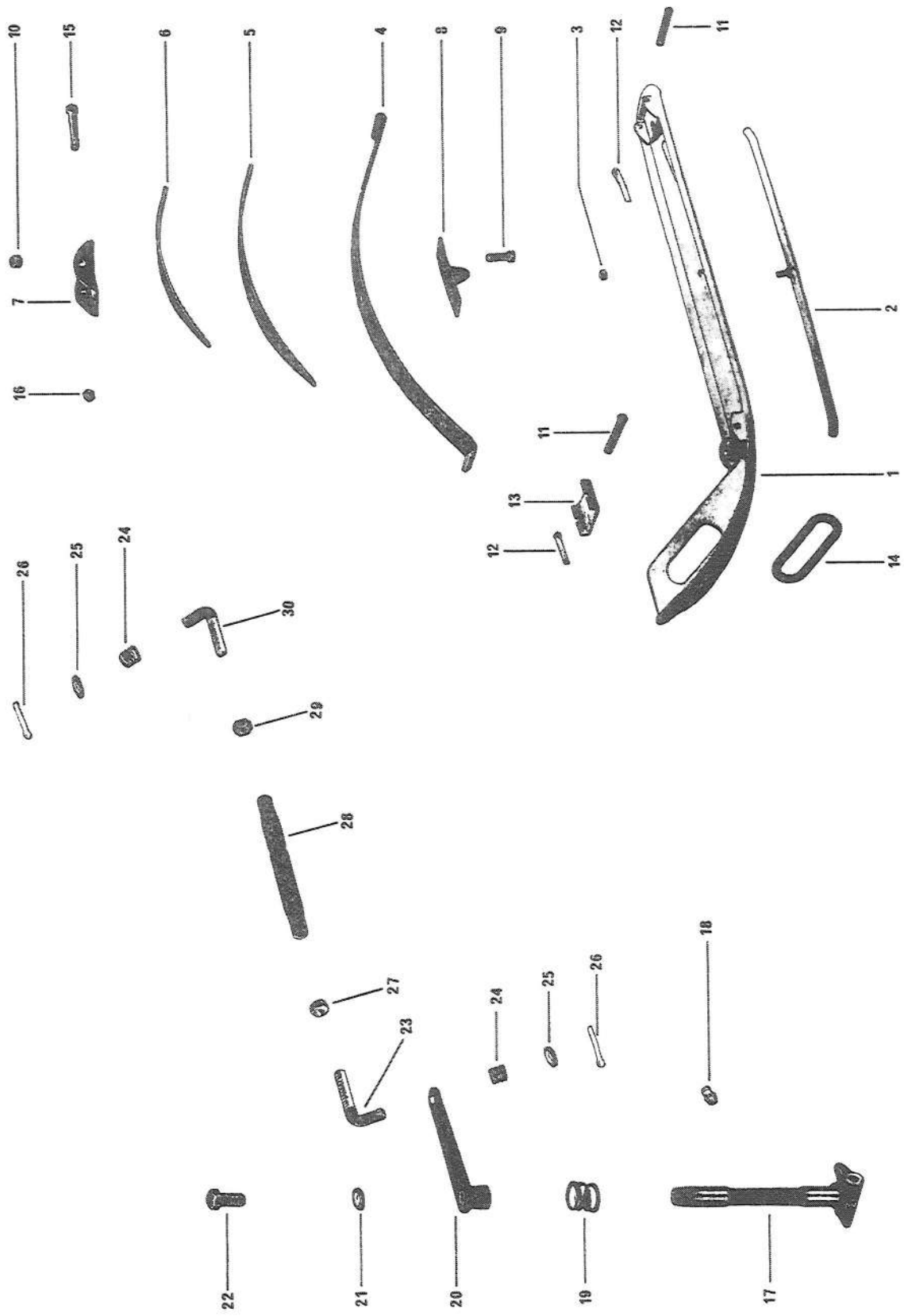
TRANSMISSION (OLYMPIC)

ITEM NO.	PART NO.	DESCRIPTION	QUANTITY							
			12/3	335	335E	399	TNT 292	TNT 340	TNT 292S	TNT 340S
1	504 2008	Inner Half.....	1	1	1	1	1		1	
1	504 2039	Inner Half.....						1		1
2	405 4005	Bearing.....	1	1	1	1	1	1	1	1
3	504 2013	Spring Seat.....	1	1	1	1	1	1	1	1
4	414 0013	Spring.....	1	1	1	1	1	1	1	1
5	504 2068	Outer Half.....	1	1	1	1	1	1	1	1
6	582 1011	Cent, Governor.....	1	1	1	1	1	1	1	1
7	504 2026	Washer.....	1	1	1	1	1	1	1	1
8	309 8010	Special Screw.....	1	1	1	1	1	1	1	1
9	504 1009	Shim (.024'')	AR	AR	AR	AR	AR	AR	AR	AR
10	504 2024	Pressure Lever Kit.....	AR	AR	AR	AR	AR	AR	AR	AR

TRANSMISSION (NORDIC)

ITEM NO.	PART NO.	DESCRIPTION	QUANTITY							
			399	399E	640E	TNT 399	TNT 640	TNT 399S	TNT 640S	
1	504 2008	Inner Half.....	1	1		1		1		
1	504 2044	Inner Half.....			1		1		1	
2	405 4005	Bearing.....	1	2		1		1		
2	405 4008	Bearing.....			1		1		1	
3	504 2013	Spring Seat.....	1	1		1		1		
3	504 0094	Spring Seat.....			1		1		1	
4	414 0013	Spring.....	1	1	1	1	1	1	1	
5	504 2068	Outer Half.....	1	1		1		1		
5	504 2045	Outer Half.....			1		1		1	
6	582 1011	Cent. Governor.....	1	1		1		1		
6	504 2034	Cent. Governor.....			1		1		1	
7	504 2026	Washer.....	1	1	1	1	1	1	1	
8	309 8010	Special Screw.....	1	1	1	1	1	1	1	
9	504 1009	Shim (.024'')	AR	AR		AR		AR		
9	504 1057	Shim (.024'')			AR		AR		AR	
10	504 2024	Pressure Lever Kit.....	AR	AR		AR		AR		
11	504 2040	Pressure Lever Kit.....			AR		AR		AR	
12	582 0210	Cent. Governor W/Screw, Nut.....			1		1		1	
13	300 0081	Screw.....			4		4		4	
14	386 6024	Nut.....			4		4		4	

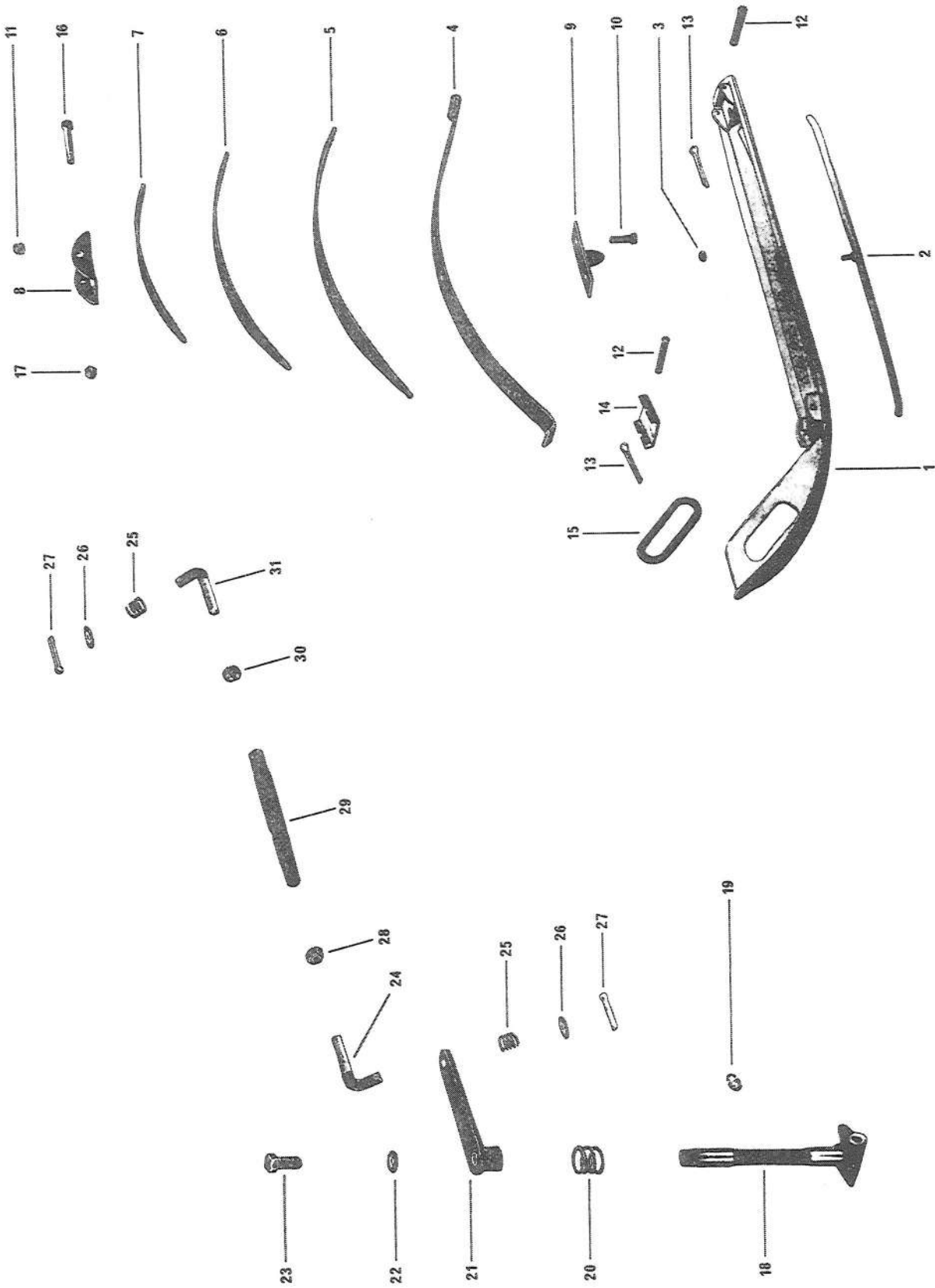
SKI (OLYMPIC)



SKI (OLYMPIC)

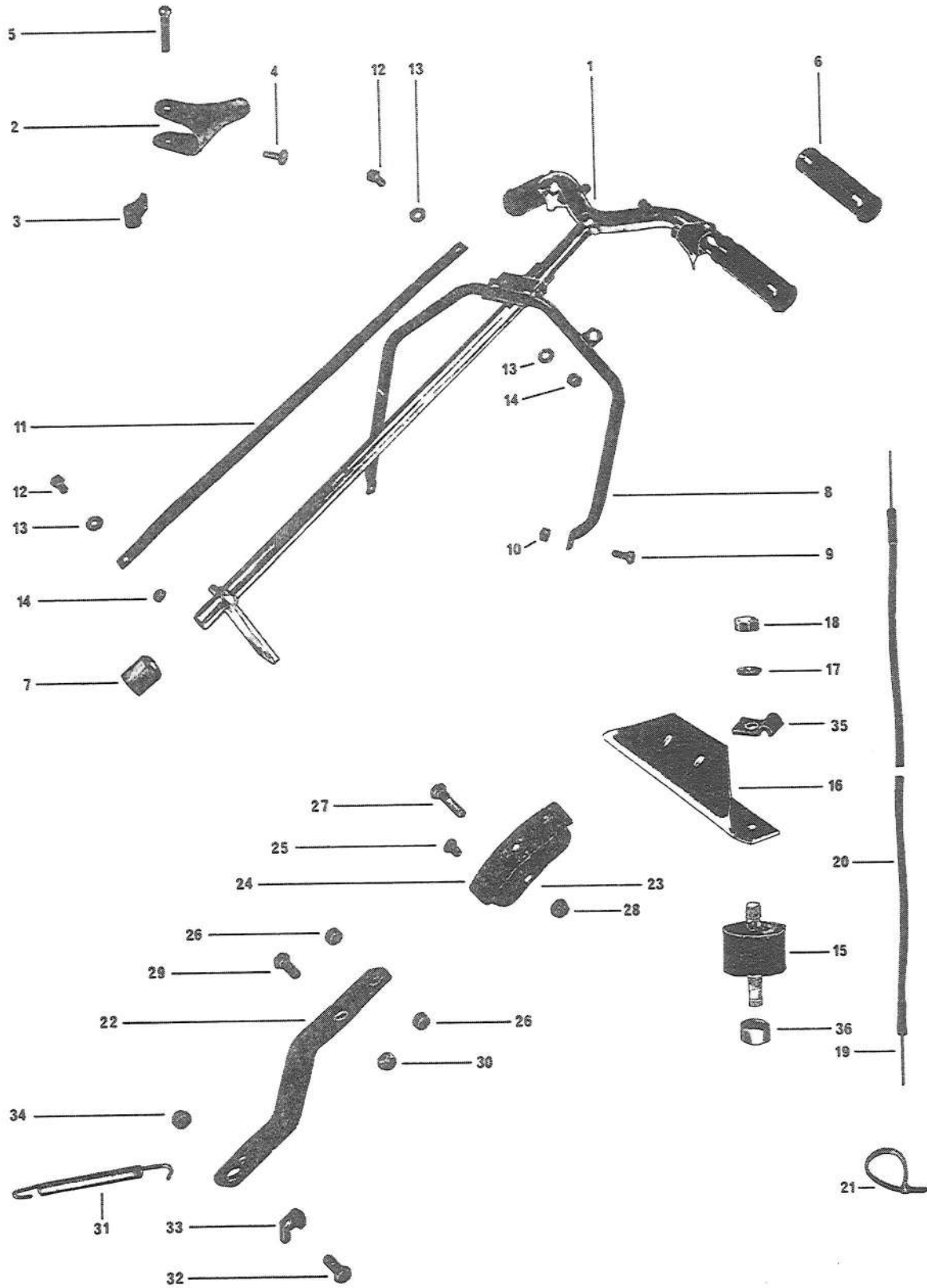
ITEM NO.	PART NO.	DESCRIPTION	QUANTITY							
			12/3	335	335E	399	TNT 292	TNT 340	TNT 292S	TNT 340S
1	505 0042	Ski Runner	2	2	2	2	2	2	2	2
2	505 0046	Runner Shoe	2	2	2	2	2	2	2	2
3	387 2022	Nut	2	2	2	2	2	2	2	2
4	505 0016	Main Leaf Spring	2	2	2	2	2	2	2	2
5	505 0013	Auxiliary Leaf Spring	2	2	2	2	2	2	2	2
6	505 0015	Auxiliary Leaf Spring	2	2	2	2	2	2	2	2
7	505 0045	Spring Coupler	2	2	2	2	2	2	2	2
8	570 0502	Rebound Leaf Spring	2	2	2	2	2	2	2	2
9	300 8084	Screw	4	4	4	4	4	4	4	4
10	389 8036	Nut	4	4	4	4	4	4	4	4
11	505 0034	Retainer Pin	4	4	4	4	4	4	4	4
12	371 0011	Cotter Pin	4	4	4	4	4	4	4	4
13	505 0033	Spring Slider Cushion	2	2	2	2	2	2	2	2
14	570 0503	Inside Protector	2	2	2	2	2	2	2	2
15	309 8007	Screw	2	2	2	2	2	2	2	2
16	389 8036	Nut	2	2	2	2	2	2	2	2
17	506 0094	Ski Leg L.H.	1	1	1	1	1	1	1	1
17	506 0093	Ski Leg R.H.	1	1	1	1	1	1	1	1
18	408 2001	Grease Fitting	2	2	2	2	2	2	2	2
19	414 0127	Spring	2	2	2	2	2	2	2	2
20	506 0014	Steering Arm	2	2	2	2	2	2	2	2
21	392 0026	Washer	2	2	2	2	2	2	2	2
22	300 8123	Screw	2	2	2	2	2	2	2	2
23	506 0017	Tie Rod End (R.H. Thread)	2	2	2	2	2	2	2	2
24	414 0364	Spring	4	4	4	4	4	4	4	4
25	391 0025	Washer	4	4	4	4	4	4	4	4
26	371 0031	Cotter Pin	4	4	4	4	4	4	4	4
27	389 8015	Nut R.H.	2	2	2	2	2	2	2	2
28	506 0043	Tie Rod	2	2	2	2	2	2	2	2
29	389 8016	Nut L.H.	2	2	2	2	2	2	2	2
30	506 0044	Tie Rod End (L.H. Thread)	2	2	2	2	2	2	2	2

SKI (NORDIC)



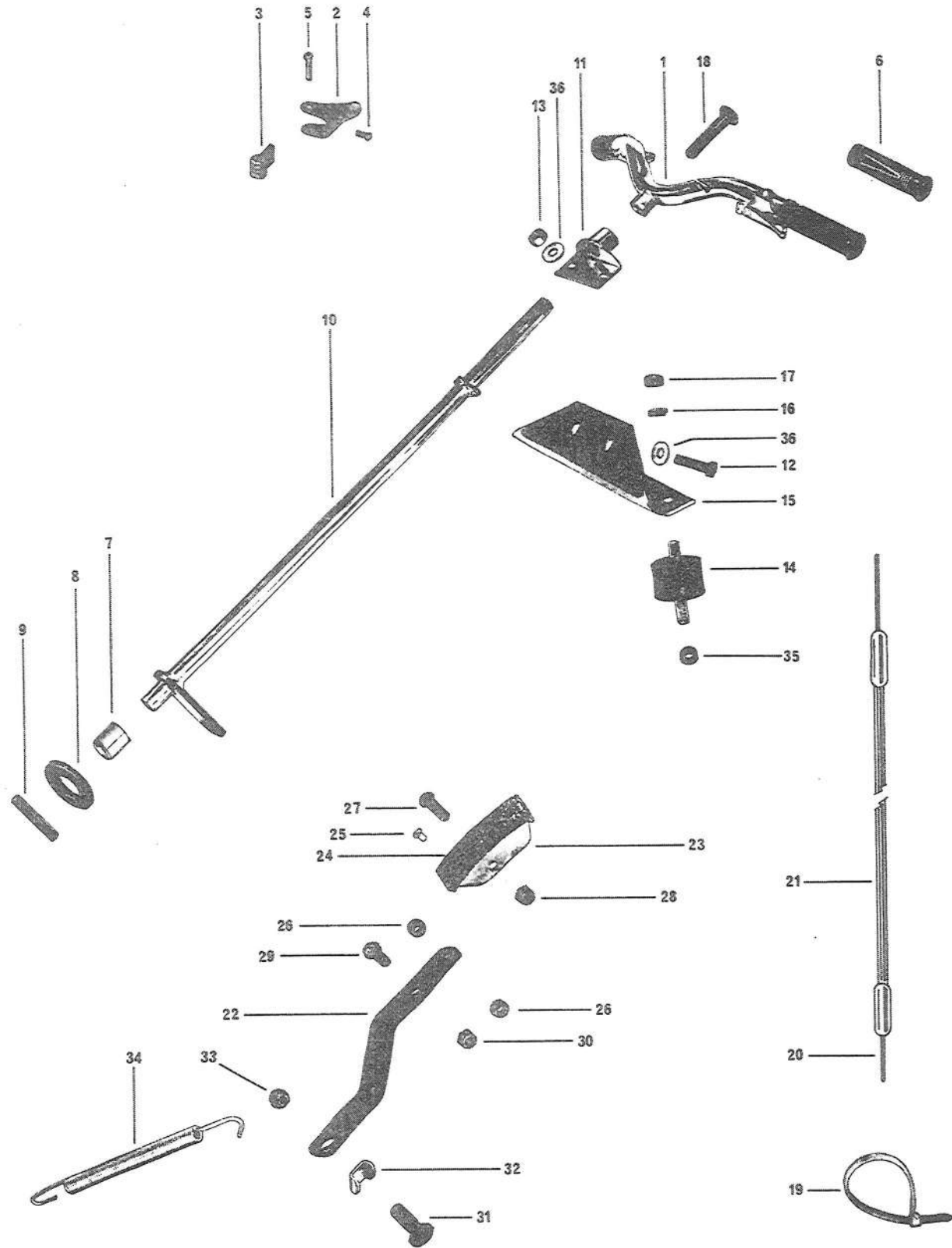
ITEM NO.	PART NO.	DESCRIPTION	QUANTITY						
			399	399E	640E	TNT 399	TNT 640	TNT 399 S	TNT 640S
1	505 0042	Ski Runner	2	2	2	2	2	2	2
2	505 0046	Runner Shoe.....	2	2	2	2	2	2	2
3	387 2022	Nut	2	2	2	2	2	2	2
4	505 0018	Main Leaf Spring.....	2	2	2	2	2	2	2
5	505 0014	Auxiliary Leaf Spring.....	2	2	2	2	2	2	2
6	505 0013	Auxiliary Leaf Spring.....	2	2	2	2	2	2	2
7	505 0015	Auxiliary Leaf Spring.....	2	2	2	2	2	2	2
8	505 0045	Spring Coupler	2	2	2	2	2	2	2
9	570 0502	Rebound Leaf Spring	2	2	2	2	2	2	2
10	300 8085	Screw	4	4	4	4	4	4	4
11	389 8036	Nut	4	4	4	4	4	4	4
12	505 0034	Retainer Pin	4	4	4	4	4	4	4
13	371 0011	Cotter Pin	4	4	4	4	4	4	4
14	505 0033	Spring Slider Cushion	2	2	2	2	2	2	2
15	570 0503	Inside Protector	2	2	2	2	2	2	2
16	309 8007	Screw	2	2	2	2	2	2	2
17	389 8036	Nut	2	2	2	2	2	2	2
18	506 0076	Ski Leg L.H.	1	1	1	1	1	1	1
18	506 0081	Ski Leg R.H.	1	1	1	1	1	1	1
19	408 2001	Grease Fitting	2	2	2	2	2	2	2
20	414 0127	Spring.....	2	2	2	2	2	2	2
21	506 0014	Steering Arm	2	2	2	2	2	2	2
22	392 0026	Washer	2	2	2	2	2	2	2
23	300 8123	Screw	2	2	2	2	2	2	2
24	506 0017	Tie Rod End (R.H. Thread)	2	2	2	2	2	2	2
25	414 0364	Spring.....	4	4	4	4	4	4	4
26	391 0025	Washer	4	4	4	4	4	4	4
27	371 0031	Cotter Pin	4	4	4	4	4	4	4
28	389 8015	Nut R.H.	2	2	2	2	2	2	2
29	506 0058	Tie Rod	2	2	2	2	2	2	2
30	389 8016	Nut L.H.	2	2	2	2	2	2	2
31	506 0044	Tie Rod End (L.H. Thread)	2	2	2	2	2	2	2

STEERING & BRAKE (OLYMPIC)



ITEM NO.	PART NO.	DESCRIPTION	QUANTITY							
			12/3	335	335E	399	TNT 292	TNT 340	TNT 292S	TNT 340S
1	506 0072	Handle Bar.....	1	1	1	1	1	1	1	1
2	506 0041	Hand Handle	2	2	2	2	2	2	2	2
3	506 0073	Cable Slug	2	2	2	2	2	2	2	2
4	390 5006	Rivet For Slug.....	2	2	2	2	2	2	2	2
5	390 9001	Rivet.....	2	2	2	2	2	2	2	2
6	572 1704	Grip	2	2	2	2	2	2	2	2
7	570 0601	Steering Bushing	1	1	1	1	1	1	1	1
8	506 0089	Upper Column	1	1	1		1	1	1	1
9	300 1001	Screw.....	2	2	2		2	2	2	2
10	386 6119	Nut	2	2	2		2	2	2	2
11	506 0069	Brace Strip	1	1	1	1	1	1	1	1
12	300 1001	Screw	3	3	3	3	3	3	3	3
13	399 9015	Washer	5	5	5	5	5	5	5	5
14	386 6119	Nut	3	3	3	3	3	3	3	3
15	570 1205	Rubber Shear Mount				2				
16	512 0072	Upper Steering Bracket				1				
17	392 0022	Washer				2				
18	380 9022	Nut				2				
19	414 0262	Cable 41"	1	1	1	1	1	1	1	1
20	414 0265	Housing 32"	1	1	1	1	1	1	1	1
21	114 0043	Hose Tie	1	1	1		1	1	1	1
22	507 0036	Brake Lever.....	1	1	1	1	1	1	1	1
23	507 0037	Shoe	1	1	1	1	1	1	1	1
24	507 0038	Lining	1	1	1	1	1	1	1	1
25	390 5001	Rivet	3	3	3	3	3	3	3	3
26	507 0046	Lug Spacer	2	2	2	2	2	2	2	2
27	309 8020	Screw	1	1	1	1	1	1	1	1
28	386 6019	Nut	1	1	1	1	1	1	1	1
29	309 8019	Screw	1	1	1	1	1	1	1	1
30	386 6019	Nut	1	1	1	1	1	1	1	1
31	414 0257	Spring.....	1	1	1	1	1	1	1	1
32	300 0001	Screw	1	1	1	1	1	1	1	1
33	507 0047	Cable Lock Bracket	1	1	1	1	1	1	1	1
34	386 6019	Nut	1	1	1	1	1	1	1	1
35	513 0053	Housing Clip				1				
36	512 0036	Spacer				2				

STEERING & BRAKE (NORDIC)



STEERING & BRAKE PARTS

ITEM NO.	PART NO.	DESCRIPTION	QUANTITY						
			399	399E	640E	TNT 399	TNT 640	TNT 399S	TNT 640S
1	506 0110	Handle	1	1	1	1	1	1	1
2	506 0041	Hand Handle	2	2	2	2	2	2	2
3	506 0073	Cable Slug	2	2	2	2	2	2	2
4	390 5006	Rivet for Slug	2	2	2	2	2	2	2
5	390 9001	Rivet	2	2	2	2	2	2	2
6	572 1704	Grip	2	2	2	2	2	2	2
7	570 0601	Steering Bushing	1	1	1	1	1	1	1
8	391 0036	Washer	1	1	1	1	1	1	1
9	372 1122	Roll Pin	1	1	1	1	1	1	1
10	506 0100	Handle Bar	1	1		1		1	
10	506 0101	Handle Bar			1		1		1
11	506 0079	Bar Bracket	1	1					
11	506 0090	Bar Bracket			1	1	1	1	1
12	300 1001	Screw	2	2	2	2	2	2	2
13	386 6019	Nut	2	2	2	2	2	2	2
14	570 1205	Rubber Shear Mount	2	2	2	2	2	2	2
15	512 0067	Upper Steering Bracket	1	1					
15	512 0073	Upper Steering Bracket			1		1		1
15	512 0087	Upper Steering Bracket				1		1	
16	392 0022	Washer	2	2	2	2	2	2	2
17	380 9022	Nut	2	2	2	2	2	2	2
18	300 3126	Screw	1	1	1	1	1	1	1
19	114 0043	Hose Tie	1	1	1	1	1	1	1
20	414 0262	Cable 41"	1	1	1	1	1	1	1
21	414 0265	Cable Housing 32"	1	1	1	1	1	1	1
22	507 0036	Brake Lever	1	1	1	1	1	1	1
23	507 0037	Shoe	1	1	1	1	1	1	1
24	507 0038	Lining	1	1	1	1	1	1	1
25	390 5001	Rivet	3	3	3	3	3	3	3
26	507 0046	Lug Spacer	2	2	2	2	2	2	2
27	309 8020	Screw	1	1	1	1	1	1	1
28	386 6019	Nut	1	1	1	1	1	1	1
29	309 8019	Screw	1	1	1	1	1	1	1
30	386 6019	Nut	1	1	1	1	1	1	1
31	300 0001	Screw	1	1	1	1	1	1	1
32	507 0047	Cable Lock Bracket	1	1	1	1	1	1	1
33	386 6019	Nut	1	1	1	1	1	1	1
34	414 0448	Spring	1	1	1	1	1	1	1
35	512 0090	Spacer				1	1	1	1
36	399 9015	Washer	4	4	4	4	4	4	4



GENERAL PRINCIPLES

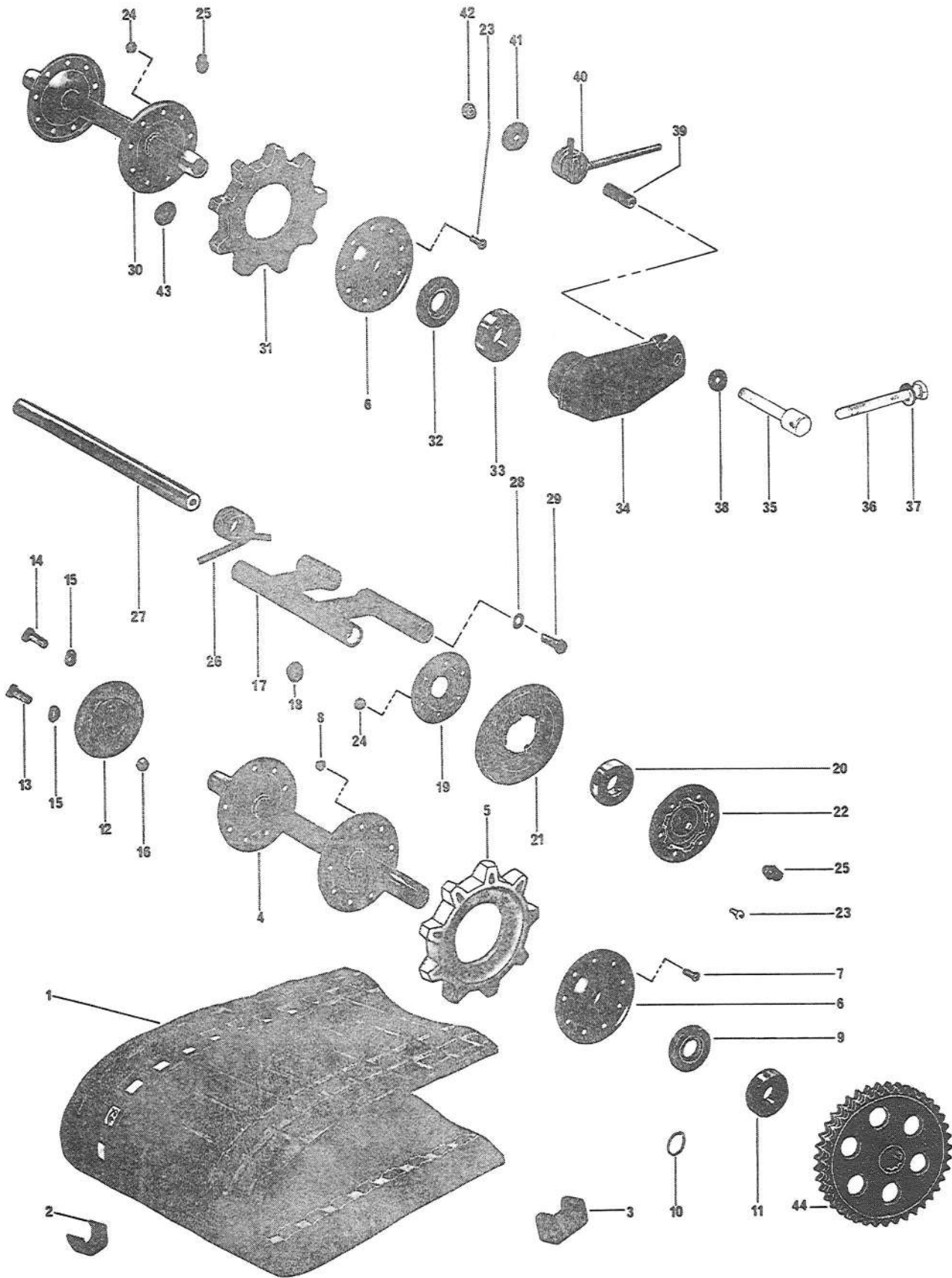


FIGURE 1

GENERAL PRINCIPLES

FIGURE 1

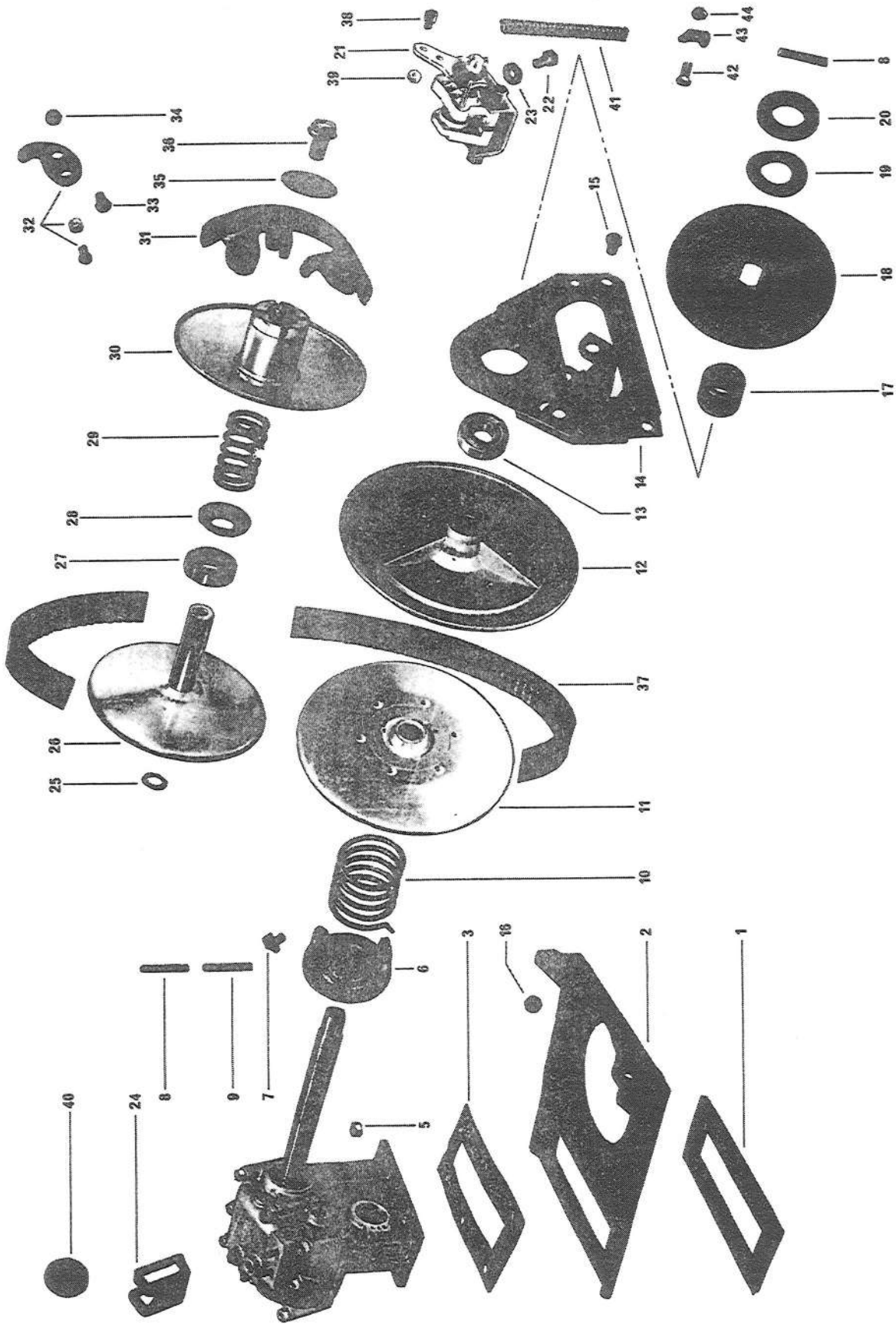
SUSPENSION (ALPINE)



SUSPENSION (ALPINE)

ITEM NO.	PART NO.	DESCRIPTION	QUANTITY		
			399R	399ER	640ER
1	570 0006	Track Ass'y	2	2	2
2	570 0003	Insert (TRACK)	AR	AR	AR
3	529 0003	Insert block (tool)	AR	AR	AR
4	501 0019	Drive Axle.....	2	2	2
5	414 0001	Sprocket	4	4	4
6	501 0018	Mobile flange	8	8	8
7	320 1102	Machine screw	36	36	36
8	387 2019	Nut.....	36	36	36
9	581 1017	Seal (with spring)	4	4	4
10	414 0153	Spring (for seal).....	4	4	4
11	405 4002	Bearing	4	4	4
12	501 0007	End bearing housing	2	2	2
13	300 1001	Cap screw	2	2	2
14	300 1000	Cap Screw.....	4	4	4
15	392 0019	Lock Washer.....	4	4	4
16	386 6019	Nut.....	2	2	2
17	502 0002	Wheel Support	12	12	12
18	502 0011	Cap	24	24	24
19	502 0015	Inner Flange	24	24	24
20	405 4002	Bearing	24	24	24
21	570 0205	Wheel Tire (w/RIB.).....	24	24	24
22	502 0016	Outer Flange.....	24	24	24
23	320 1062	Machine Screw	180	180	180
24	387 3013	Nut.....	180	180	180
25	408 2001	Grease Fitting	28	28	28
26	502 0010	Spring 1/4" Dia.....	12	12	12
27	502 0008	Cross Shaft.....	6	6	6
28	399 9036	Toot Lock Washer	12	12	12
29	300 9043	Cap Screw	12	12	12
30	503 0043	Rear Hub.....	2	2	2
31	570 0101	Sprocket	4	4	
31	414 0327	Sprocket.....			4
32	570 0301	Seal	4	4	4
33	405 4002	Bearing	4	4	4
34	503 0036	L. H. Adjustment Link Plate	2	2	2
34	503 0035	R. H. Adjustment Link Plate	2	2	2
35	503 0028	Cent. Adj. Eye Bolt	4	4	4
36	309 8027	Hex. Cap Screw	4	4	4
37	399 9007	Flat Washer	4	4	4
38	503 0044	Hardened Washer	4	4	4
39	503 0040	Adjuster Sleeve	4	4	4
40	503 0025	R. H. Spring	2	2	2
40	503 0023	L. H. Spring.....	2	2	2
41	503 0016	Retainer Washer.....	4	4	4
42	389 8037	Nut.....	4	4	4
43	503 0049	Cap	4	4	4
44	504 0014	Sprocket 39 Teeth	1	1	
44	504 0099	Sprocket 29 Teeth			1

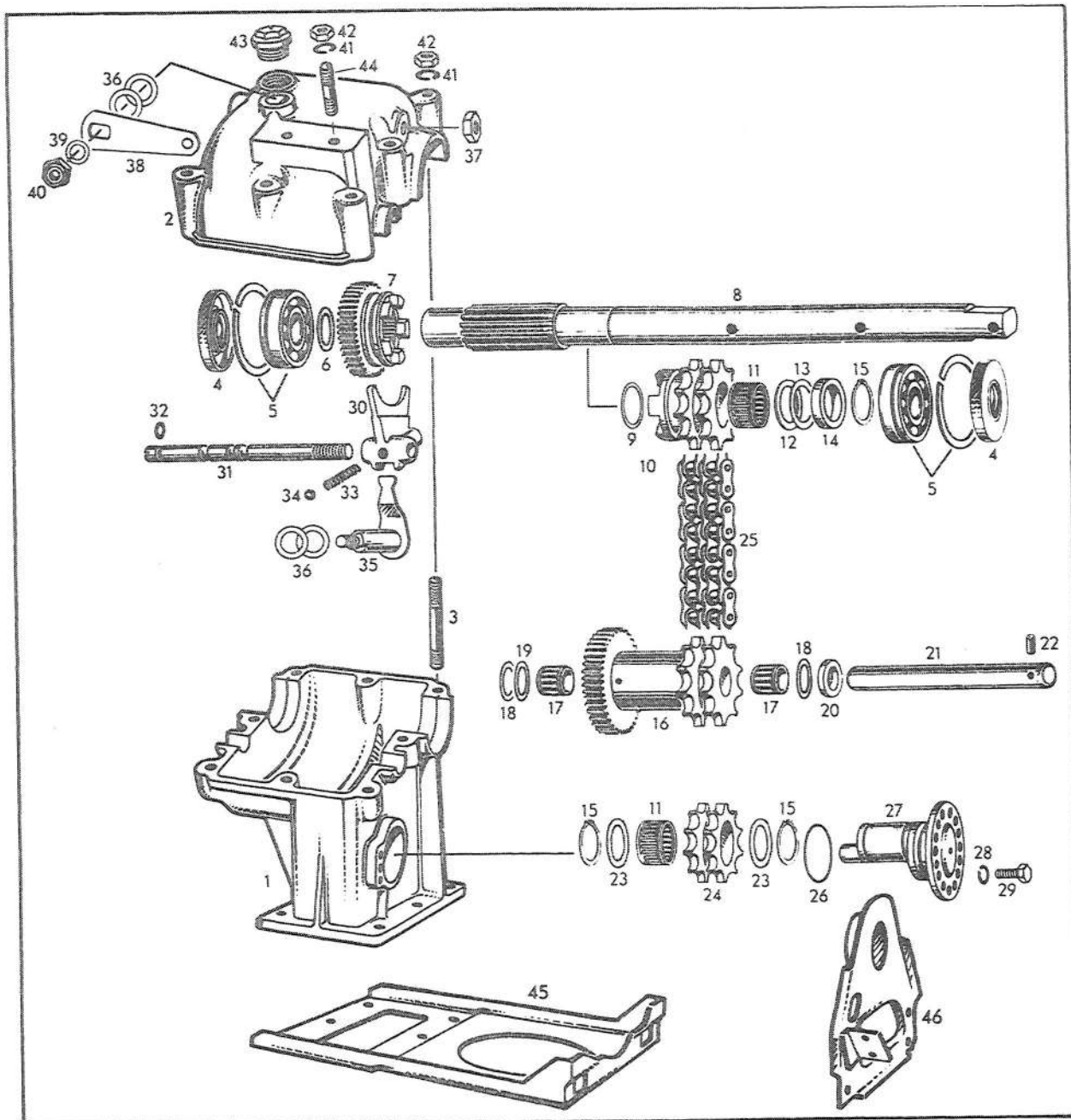
TRANSMISSION (ALPINE)



TRANSMISSION (ALPINE)

ITEM NO.	PART NO.	DESCRIPTION	QUANTITY		
			399	399E	640E
1	570 0408	Gasket	1	1	1
2	417 1039	Bottom Plate.....	1	1	1
3	504 1052	Gasket.....	1	1	1
5	389 8037	Nut	8	8	8
6	504 1035	Outer Cam.....	1	1	1
7	414 0126	Cam Slider Shoe.....	3	3	3
8	372 1124	Roll Pin.....	3	3	3
9	372 1060	Roll Pin.....	4	4	4
10	414-0138	Release Spring.....	1	1	1
11	504 1044	Sliding Pulley Half.....	1	1	1
12	504 1043	Fixed Puller Half.....	1	1	1
13	405 4004	Bearing	1	1	1
14	417 1041	Support.....	1	1	1
15	300 0041	Cap Screw	2	2	2
16	389 8037	Nut	2	2	2
17	504 1031	Spacer	1	1	1
18	504 1032	Disk	1	1	1
19	417 0008	Spring Washer.....	1	1	1
20	504 1036	Retainer Washer.....	1	1	1
21	414 0415	Disk Brake Unit.....	1	1	1
22	300 1000	Cap Screw	2	2	2
23	394 0019	Washer.....	2	2	2
24	506 0109	Steering Bracket.....	1	1	1
25	504 1009	Shim (.024)	AR	AR	AR
26	504 2008	Inner Half	1	1	
26	504 2044	Inner Half			1
27	405 4005	Bearing	1	1	
27	405 4008	Bearing			1
28	504 2013	Spring Seat	1	1	
28	504 0094	Spring Seat			1
29	414 0013	Spring.....	1	1	1
30	504 2068	Outer Half.....	1	1	
30	504 2045	Outer Half.....			1
31	582 1011	Centrifugal Governor.....	1	1	
31	504 2052	Centrifugal Governor.....			1
32	504 2024	Pressure Lever Kit.....	1	1	
32	C.S.A.	Pressure Lever Kit.....			1
33	300 0001	Cap Screw			4
34	386 6019	Nut.....			4
35	504 2026	Governor Washer.....	1	1	1
36	309 8010	Special Cap Screw.....	1	1	1
37	570 0411	Drive Belt.....	1	1	
37	570 0414	Drive Belt.....			1
38	507 0027	Brake Lever Ferrule.....	1	1	1
39	386 6019	Nut.....	1	1	1
40	570 1737	Rubber Cover	1	1	1
41	414 0064	Spring.....	1	1	1
42	300 1001	Cap Screw	1	1	1
43	507 0047	Cable Lock Bracket.....	1	1	1
44	386 6019	Nut.....	1	1	1

GEAR BOX



ITEM NO.	PART NO.	DESCRIPTION	QUANTITY		
			399	399E	640E
1-2-3	417 1005	Housing Ass'y	1	1	1
3	417 1006	Stud M8 x 52	8	8	8
4	417 1007	Oil Seal	2	2	2
5	405 4006	Ball Bearing With Groove Ring	2	2	2
6	402 1025	Shim 0.5MM	1	1	1
7	417 1008	Sliding Gear 31t	1	1	1

BOMBARDIER LTD./LTEE

LITHO'D IN CANADA

SECTION 1 - PAGE 30

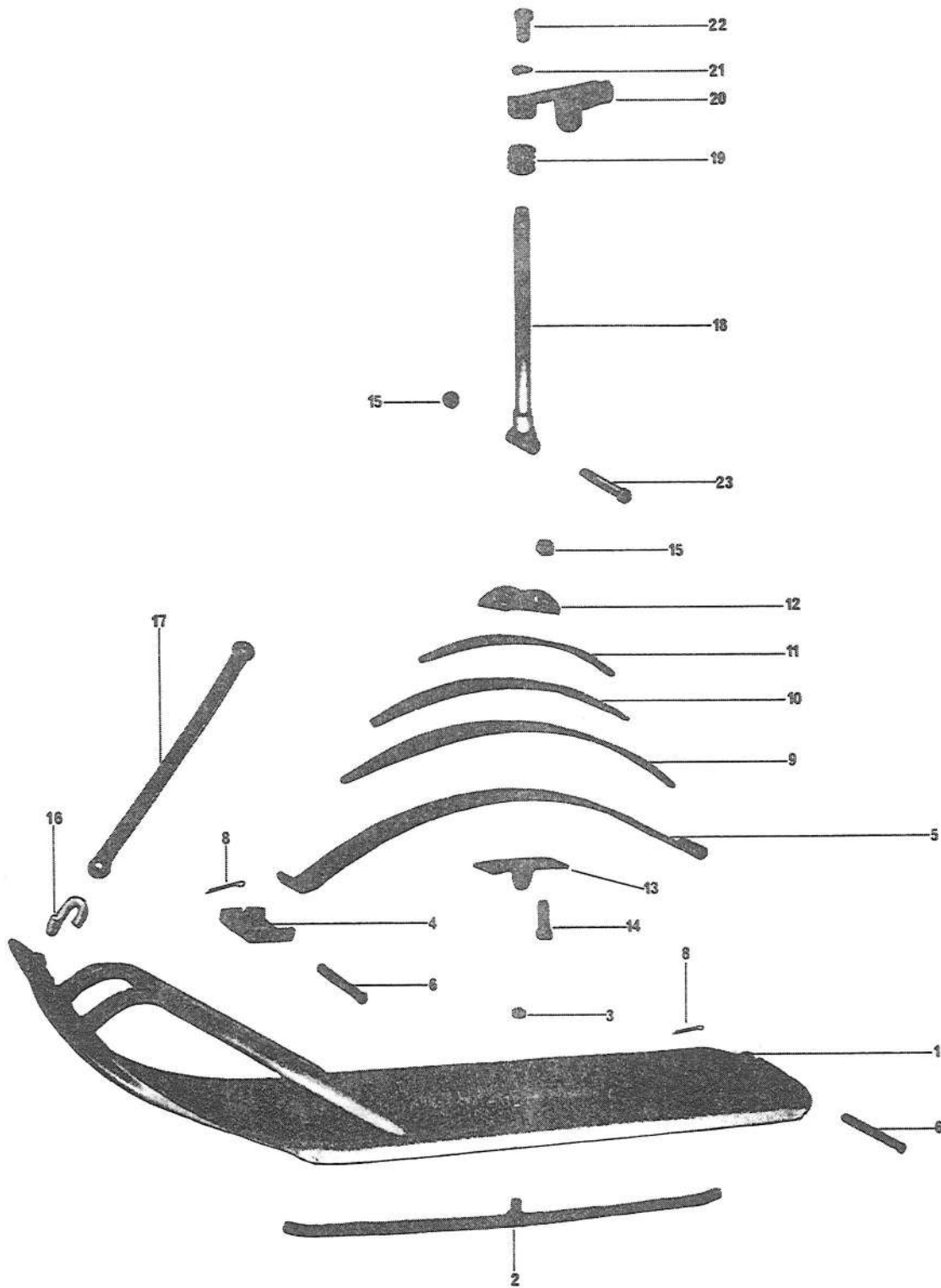
CAT. NO. 480-1012

AUGUST 1969.

GEAR BOX

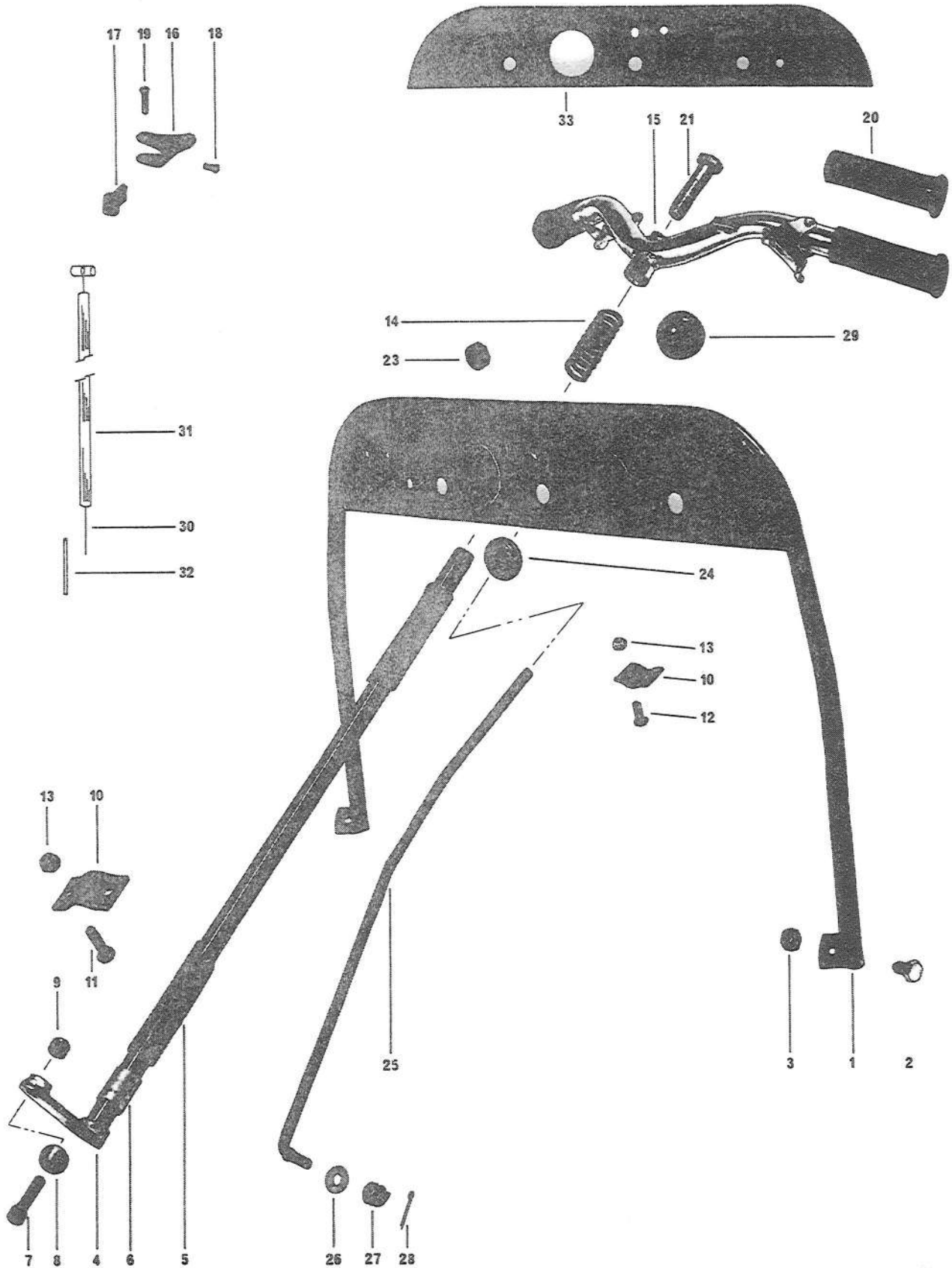
ITEM NO.	PART NO.	DESCRIPTION	QUANTITY		
			399	399E	640E
8	417 1009	Drive Shaft	1	1	1
9	417 1010	Washer 25.2MM	1	1	1
10	417 1011	Shift Sprocket 13t	1	1	1
11	417 1012	Needle Cage	2	2	2
12	402 1026	Shim 1.0MM	1	1	1
13	402 1023	Shim 0.2MM	AR	AR	AR
	402 1024	Shim 0.3MM	"	"	"
	402 1025	Shim 0.5MM	"	"	"
	402 1126	Shim 0.1MM	"	"	"
14	417 1013	Distance Sleeve 5.3MM	1	1	1
15	417 1014	Circlip	3	3	3
16	417 1015	Lay Shaft Gear Ass'y 34 & 13t	1	1	1
17	417 1016	Needle Cage	2	2	2
18	402 6016	Shim 1.0MM	2	2	2
19	417 1035	Shim 0.3MM	AR	AR	AR
	417 1036	Shim 0.5MM	"	"	"
	402 6016	Shim 1.0MM	"	"	"
	417 1037	Shim .15MM	"	"	"
20	417 1017	Distance Sleeve 7.5MM	1	1	1
21	417 1018	Lay Axle	1	1	1
22	417 1019	Dowel Tube	1	1	1
23	417 1020	Washer 25.3	2	2	2
24	417 1021	Tensioner Sprocket 12t	1	1	1
25	412 1011	Double Roller Chain 1/2 x 5/16", 64 Links For Alpine 640. As Supplied In 1969			1
25	412 1005	Double Roller Chain 1/2 x 5/16", 66 Links			1
25	412 1014	Double Roller Chain 1/2 x 5/16", 72 Links	1	1	
26	417 1022	O-Ring	1	1	1
27	417 1023	Tensioner Axle Ass'y	1	1	1
28	402 0015	Lock Washer 6	1	1	1
29	402 5012	Hex. Screw M6 x 15	1	1	1
30	417 1024	Gear Change Fork	1	1	1
31	417 1025	Index Rod	1	1	1
32	417 1026	O-Ring	1	1	1
33	417 1027	Index Spring	1	1	1
34	417 1028	Ball 1/4" Dia	1	1	1
35	417 1029	Gear Change Shaft Ass'y	1	1	1
36	417 1030	Shim 0.3MM	AR	AR	AR
	417 1031	Shim 0.5MM	AR	AR	AR
37	265 6001	Hex. Nut M10	1	1	1
38	417 1033	Gear Change Lever	1	1	1
39	402 0031	Washer 8.4MM	1	1	1
40	402 2106	Lock Nut M8	1	1	1
41	402 0016	Lock Washer 8	10	10	10
42	402 0018	Hex. Nut M8	10	10	10
43	417 1034	Vent Plug M18 x 1.5	1	1	1
44	402 2003	Stud M8 x 18	2	2	2
45	417 1039	Bottom Plate	1	1	1
46	417 1041	Support Ass'y	1	1	1

SKI (ALPINE)



ITEM NO.	PART NO.	DESCRIPTION	QUANTITY		
			399	399E	640E
1	505 0047	Ski Runner.....	1	1	1
2	505 0002	Runner Shoe	1	1	1
3	387 2022	Nut.....	1	1	1
4	505 0033	Spring Slider Cushion	1	1	1
5	505 0018	Main Leaf Spring	1	1	1
6	505 0034	Retainer Pin.....	2	2	2
8	371 0011	Cotter Pin.....	2	2	2
9	505 0014	Auxiliary Spring.....	1	1	2
10	505 0013	Auxiliary Spring	2	2	1
11	505 0015	Auxiliary Spring	1	1	1
12	505 0053	Spring Coupler	1	1	1
13	570 0502	Rebound Leaf.....	1	1	1
14	300 8085	Cap Screw	2	2	2
15	389 8036	Nut.....	3	3	3
16	505 0022	Union Link	2	2	2
17	570 0501	Ski Retaining Cable	1	1	1
18	506 0095	Ski Leg	1	1	1
19	414 0127	Spring	1	1	1
20	506 0051	Steering Arm.....	1	1	1
21	392 0026	Lock Washer.....	1	1	1
22	300 8123	Cap Screw	1	1	1
23	309 8033	Cap Screw	1	1	1

STEERING (ALPINE)



STEERING (ALPINE)

ITEM NO.	PART NO.	DESCRIPTION	QUANTITY		
			399	399E	640E
1	506 0098	Upper Column.....	1	1	1
2	300 1040	Cap Screw.....	2	2	2
3	387 2022	Nut.....	2	2	2
4	506 0083	Steering Shaft.....	1	1	1
5	506 0084	Steering Column.....	1	1	1
6	506 0029	Bushing.....	2	2	2
7	303 0126	Cap Screw.....	1	1	1
8	506 0091	Ball Bushing.....	1	1	1
9	386 6026	Nut.....	1	1	1
10	506 0085	Retainer Plate.....	2	2	2
11	300 1001	Cap Screw.....	2	2	2
12	300 0003	Cap Screw.....	2	2	2
13	386 6019	Nut.....	4	4	4
14	414 0172	Spring.....	1	1	1
15	506 0110	Handle.....	1	1	1
16	506 0041	Hand Handle.....	2	2	2
17	506 0073	Cable Slug Retainer.....	2	2	2
18	390 5006	Rivet.....	2	2	2
19	390 9001	Rivet.....	2	2	2
20	572 1704	Handle Grip.....	2	2	2
21	300 3126	Cap Screw.....	1	1	1
23	570 1503	Grommet.....	1	1	1
24	570 0603	Grommet.....	1	1	1
25	504 1053	Transmission Rod.....	1	1	1
26	391 0023	Washer.....	1	1	1
27	414 0364	Spring.....	1	1	1
28	371 8002	Cotter Pin.....	1	1	1
29	414 0513	Plastic Ball Knob.....	1	1	1
30	414 0278	Brake Cable.....	1	1	1
30	414 0277	Throttle Cable.....	1	1	1
31	414 0274	Brake Housing.....	1	1	1
31	414 0313	Throttle Housing.....	1	1	
31	414 0275	Throttle Housing.....			1
32	414 0452	Cable Protector.....	1	1	1
33	414 0477	Dash Sticker.....			1

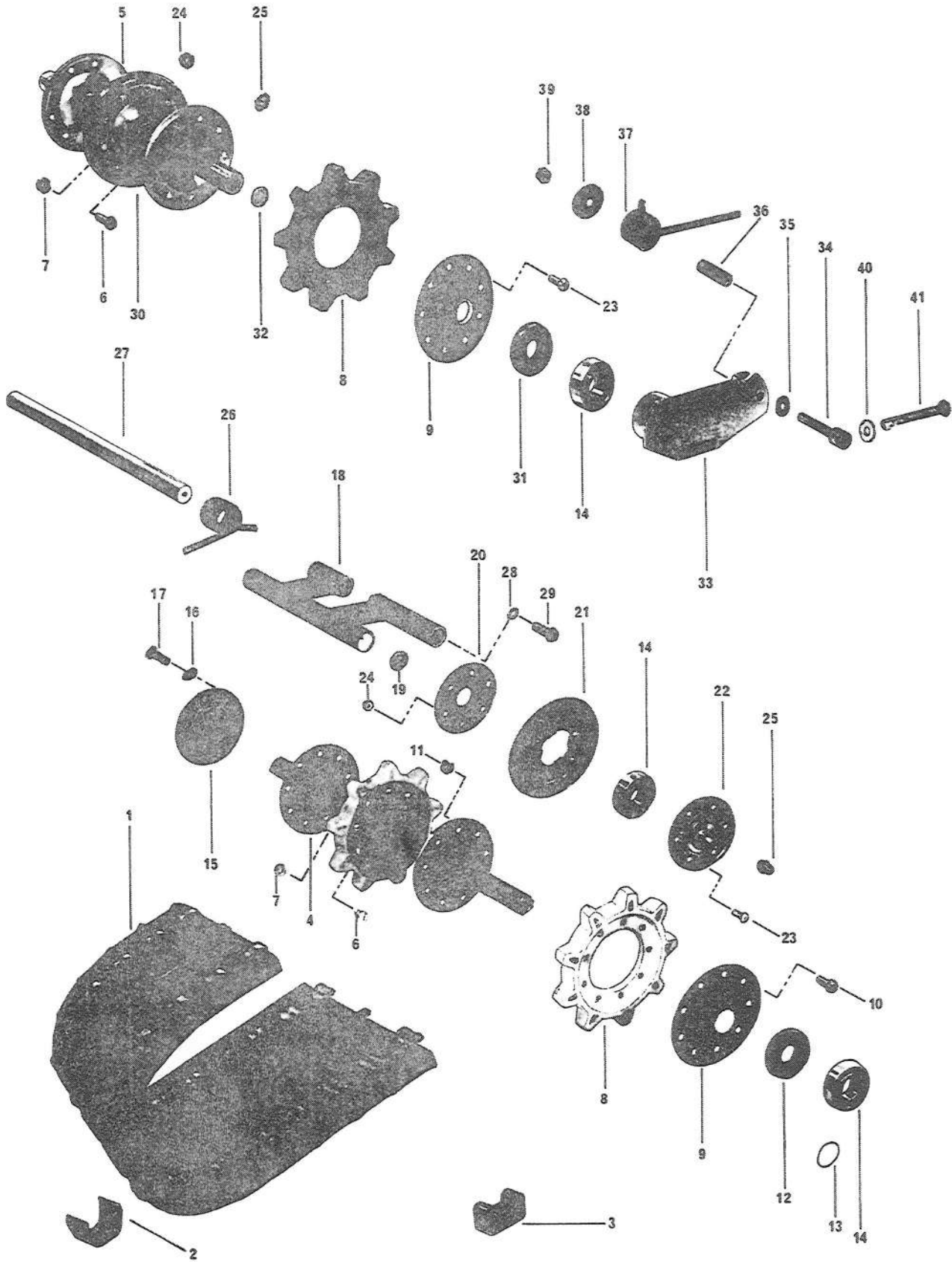


TNT 775s

1970

REFER TO TNT 640s

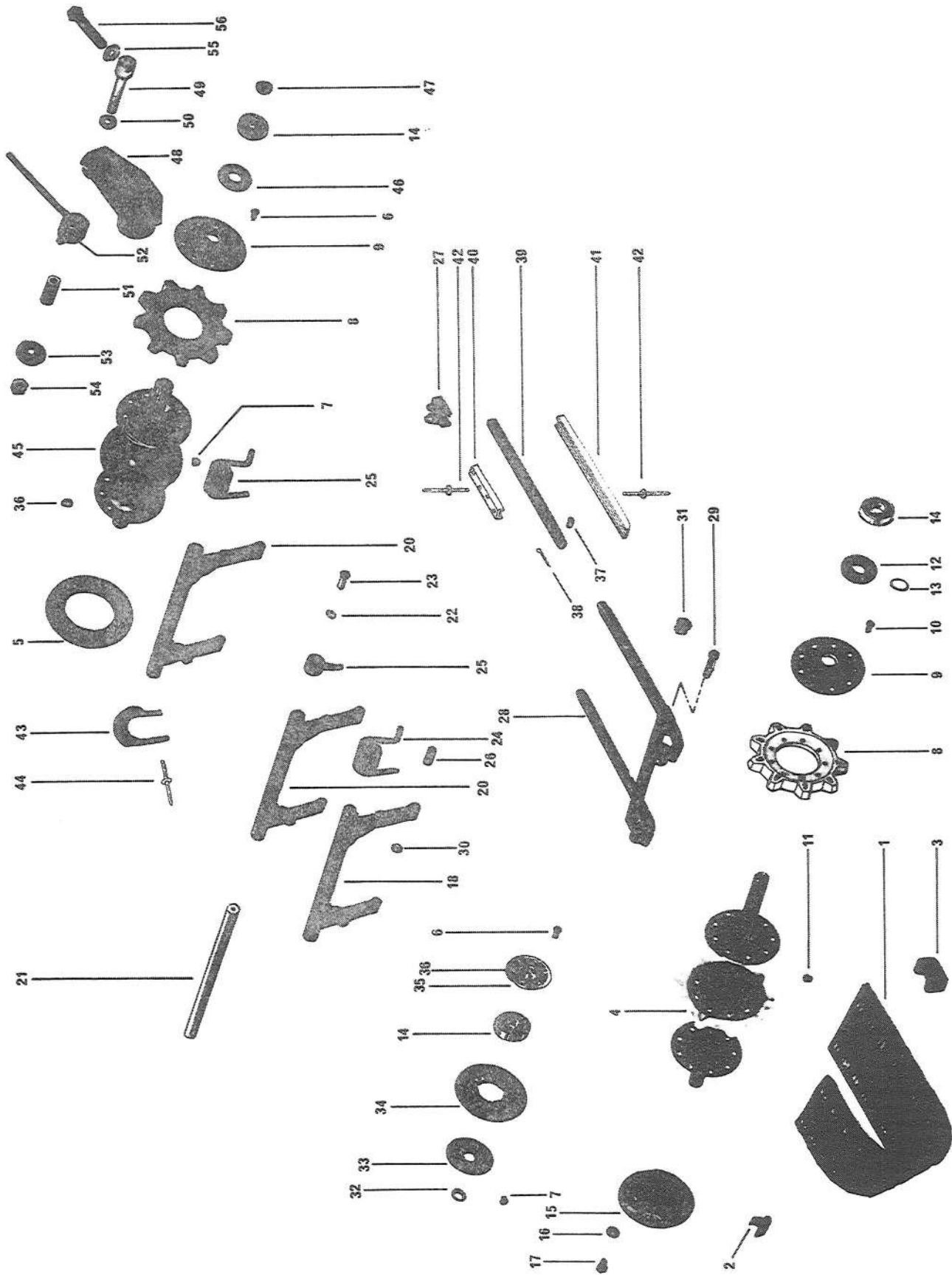
BLIZZARD SUSPENSION



BLIZZARD SUSPENSION

ITEM NO.	PART NO.	DESCRIPTION	QUANTITY				
			292	340	436	636	776
1	570 0010	Track W/Insert	1	1			
1	570 0011	Track W/Insert			1	1	1
2	570 0008	Insert	AR	AR	AR	AR	AR
3	529 0003	Insert Block (Tool)	AR	AR	AR	AR	AR
4	501 0022	Drive Axle	1	1			
4	501 0031	Drive Axle W/Idler			1	1	1
5	570 0304	Idler			1	1	1
6	320 1062	Screw			18	18	18
7	387 3013	Nut			18	18	18
8	414 0001	Sprocket	4	4	4	4	4
9	501 0018	Mobile Flange	4	4	4	4	4
10	320 1102	Screw	18	18	18	18	18
11	387 2012	Nut	18	18	18	18	18
12	581 1017	Seal W/Spring	2	2	2	2	2
13	414 0153	Spring For Seal	2	2	2	2	2
14	405 4002	Bearing	16	16	16	16	16
15	501 0007	End Bearing Housing	1	1	1	1	1
16	392 0019	Washer	3	3	3	3	3
17	300 0000	Screw	3	3	3	3	3
18	502 0002	Wheel Support	6	6			
18	502 0021	Wheel Support			6	6	6
19	502 0011	Cap	12	12	12	12	12
20	502 0015	Inner Flange	12	12	12	12	12
21	570 0205	Wheel Tire	12	12			
21	570 0206	Wheel Tire W/Cotton			12	12	12
22	502 0016	Outer Flange	12	12	12	12	12
23	320 1062	Screw	90	90	90	90	90
24	387 3013	Nut	90	90	90	90	90
25	408 2001	Grease Fitting	14	14	14	14	14
26	502 0010	Spring Front 1/4" ϕ	4	4	4	4	4
26	502 0020	Spring Rear 9/32" ϕ	2	2	2	2	2
27	502 0008	Cross Shaft	3	3			
27	502 0014	Cross Shaft			3	3	3
28	399 8001	Washer	6	6	6	6	6
29	300 8043	Screw	6	6	6	6	6
30	503 0043	Rear Hub	1	1			
30	503 0050	Rear Hub W/Idler			1	1	1
31	570 0301	Seal	2	2	2	2	2
32	503 0049	Cap	2	2	2	2	2
33	503 0066	R.H. Link Plate	1	1	1	1	1
33	503 0067	L.H. Link Plate	1	1	1	1	1
34	503 0028	Adjuster Eye Bolt	2	2	2	2	2
35	503 0044	Hardened Washer	2	2	2	2	2
36	503 0040	Adjuster Sleeve	2	2	2	2	2
37	503 0025	R.H. Spring	1	1	1	1	1
37	503 0023	L.H. Spring	1	1	1	1	1
38	503 0016	Retainer Washer	2	2	2	2	2
39	389 8037	Nut	2	2	2	2	2
40	399 9007	Washer	2	2	2	2	2
41	309 8027	Screw	2	2	2	2	2

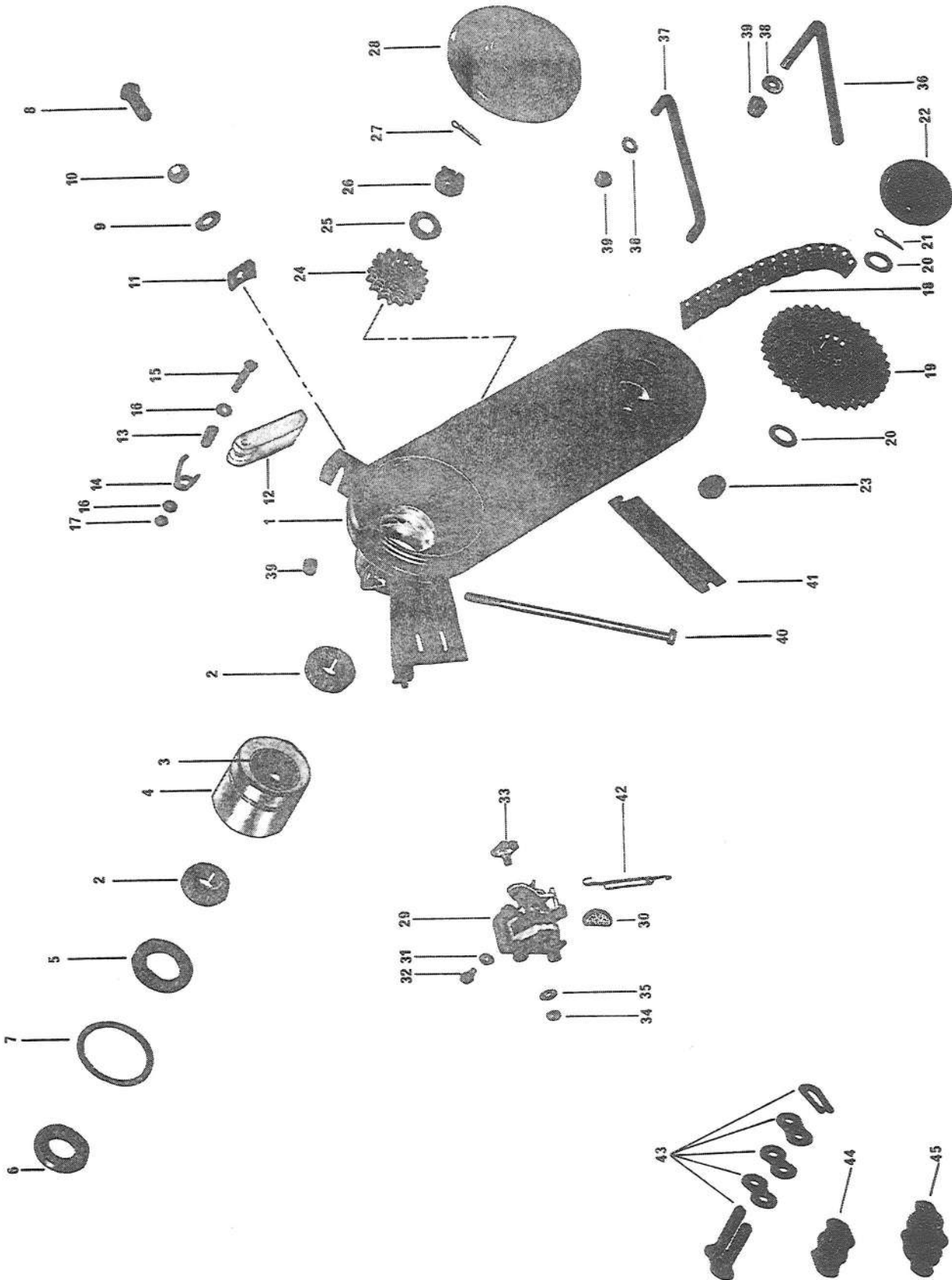
BLIZZARD SUSPENSION SLIDING



BLIZZARD SUSPENSION SLIDING

ITEM NO.	PART NO.	DESCRIPTION	QUANTITY				
			292	340	436	636	776
1	570 0010	Track W/Insert	1	1			
1	570 0011	Track W/Insert			1	1	1
2	570 0008	Insert	AR	AR	AR	AR	AR
3	529 0003	Insert Block (Tool)	AR	AR	AR	AR	AR
4	501 0022	Drive Axle	1	1			
4	501 0031	Drive Axle W/Idler			1	1	1
5	570 0304	Idler			1	1	1
6	320 1062	Screw	30	30	48	48	48
7	387 3013	Nut	30	30	48	48	48
8	414 0001	Sprocket	4	4	4	4	4
9	501 0018	Mobile Flange	4	4	4	4	4
10	320 1102	Screw	18	18	18	18	18
11	387 2019	Nut	18	18	18	18	18
12	581 1017	Seal W/Spring	2	2	2	2	2
13	414 0153	Spring For Seal	2	2	2	2	2
14	405 4002	Bearing	6	6	6	6	6
15	501 0007	End Bearing Housing	1	1	1	1	1
16	392 0019	Washer	3	3	3	3	3
17	300 0000	Screw	3	3	3	3	3
18	503 0056	Cross Support (Front)	1	1			
18	503 0064	Cross Support (Front)			1	1	1
20	503 0060	Cross Support (Rear)	3	3			
20	503 0063	Cross Support (Rear)			3	3	3
21	502 0008	Cross Shaft	4	4			
21	502 0014	Cross Shaft			4	4	4
22	399 8001	Washer	8	8	8	8	8
23	300 8043	Screw	8	8	8	8	8
24	414 0530	R.H. Spring (Front)	1	1	1	1	1
24	414 0523	L.H. Spring (Front)	1	1	1	1	1
25	414 0531	R.H. Spring	3	3	3	3	3
25	414 0524	L.H. Spring	3	3	3	3	3
26	503 0054	Sleeve	8	8	8	8	8
27	503 0055	Slider	6	6	6	6	6
28	503 0057	Runner Tube (Front)	1	1			
28	503 0065	Runner Tube (Front)			1	1	1
29	300 1048	Screw	8	8	8	8	8
30	389 8037	Nut	8	8	8	8	8
31	570 1728	End Cap	2	2	2	2	2
32	502 0011	Cap	2	2	2	2	2
33	502 0015	Inner Flange	2	2	2	2	2
34	570 0206	Wheel Tire	2	2	2	2	2
35	502 0016	Outer Flange	2	2	2	2	2
36	408 2001	Grease Fitting	2	2	2	2	2
37	414 0340	Clevis Pin	2	2	2	2	2
38	371 0011	Cotter Pin	2	2	2	2	2
39	503 0059	Runner Tube (Rear)	2	2	2	2	2
40	560 3002	Sliding Pad	4	4	4	4	4
41	560 3001	Slider Shoe	4	4	4	4	4
42	390 4022	Rivet	44	44	44	44	44
43	414 0526	Track Protector	6	6	6	6	6
44	390 4023	Rivet	12	12	12	12	12
45	503 0043	Rear Hub	1	1			
45	503 0050	Rear Hub			1	1	1
46	570 0301	Seal	2	2	2	2	2
47	503 0049	Cap	2	2	2	2	2
48	503 0066	R.H. Link Plate	1	1	1	1	1
48	503 0067	L.H. Link Plate	1	1	1	1	1
49	503 0028	Adjuster Eye Bolt	2	2	2	2	2
50	503 0044	Hardened Washer	2	2	2	2	2
51	503 0040	Adjuster Sleeve	2	2	2	2	2
52	503 0025	R.H. Spring	1	1	1	1	1
52	503 0023	L.H. Spring	1	1	1	1	1
53	503 0016	Retainer Washer	2	2	2	2	2
54	389 8037	Nut	2	2	2	2	2
55	399 9007	Washer	2	2	2	2	2
56	309 8027	Screw	2	2	2	2	2

BLIZZARD CHAIN CASE



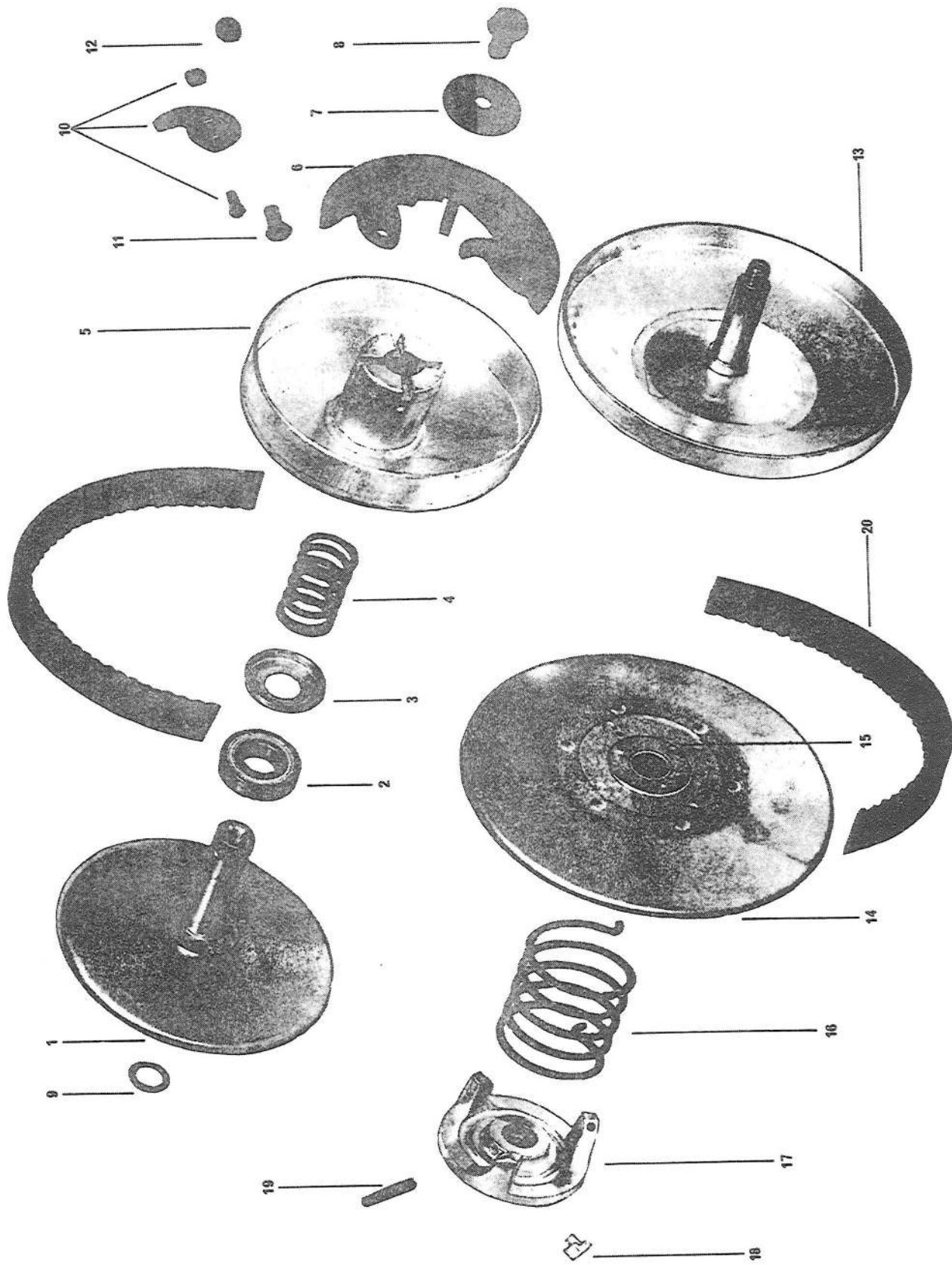
BOMBARDIER LTD./LTEE

Cat. No. 488 1014

BLIZZARD CHAIN CASE

ITEM NO.	PART NO.	DESCRIPTION	QUANTITY				
			292	340	436	636	776
1	504 0103	Chain Case	1	1			
1	504 0108	Chain Case			1	1	1
2	405 0001	Bearing Cone	2	2			
2	405 0004	Bearing Cone			2	2	2
3	405 0002	Bearing Cup	2	2			
3	405 0003	Bearing Cup			2	2	2
4	504 0100	Tensioner W/Cup	1	1			
4	504 0101	Tensioner W/Cup			1	1	1
5	504 0046	Oil Retainer Ring	1	1			
5	504 0058	Oil Retainer Ring			1	1	1
6	406 3001	Oil Seal	1	1			
6	406 3002	Oil Seal			1	1	1
7	406 0001	"O" Ring	1	1			
7	406 0003	"O" Ring			1	1	1
8	300 4084	Cap Screw	1	1	1	1	1
9	399 8016	Washer	1	1	1	1	1
10	380 9024	Nut	1	1	1	1	1
11	504 0072	Segment	1	1	1	1	1
12	572 0402	Chain Tensioner	2	2	2	2	2
13	504 0104	Bushing	2	2	2	2	2
14	414 0545	Spring	2	2	2	2	2
15	300 0006	Screw	2	2	2	2	2
16	402 0064	Washer	4	4	4	4	4
17	386 6119	Nut	2	2	2	2	2
18	412 1007	Driving Chain	1	1	1		
18	412 1010	Driving Chain				1	1
19	504 0045	Sprocket 34 Teeth	1	1	1	1	1
20	504 0039	Spacer	2	2	2	2	2
21	371 0013	Cotter Pin	1	1	1	1	1
22	570 0413	Access Plug	1	1	1	1	1
23	570 0406	Plug	1	1	1	1	1
24	504 0091	Sprocket 14 Teeth	1				
24	504 0044	Sprocket 15 Teeth		1			
24	504 0106	Sprocket 16 Teeth			1		
24	504 0083	Sprocket 20 Teeth				1	
24	504 0059	Sprocket 22 Teeth					1
25	504 0015	Shaft Washer	1	1			
25	417 0009	Shaft Washer			1	1	1
26	381 2028	Nut	1	1			
26	389 8024	Nut			1	1	1
27	371 0011	Cotter Pin	1	1			
27	371 0032	Cotter Pin			1	1	1
28	570 0403	Inspection Cover	1	1	1	1	1
29	560 7006	Disc. Brake Unit	1	1	1	1	1
30	414 0672	Puck	1	1	1	1	1
31	399 9015	Washer	2	2	2	2	2
32	300 1000	Screw	2	2	2	2	2
33	504 0105	End Housing	1	1	1	1	1
34	386 6019	Nut	1	1	1	1	1
35	399 8007	Washer	2	2	2	2	2
36	504 0087	Bracket	1	1			
36	504 0088	Bracket			1	1	1
37	504 0042	"U" Clamp	1	1			
37	504 2038	"U" Clamp			1	1	1
38	399 9007	Washer	3	3	3	3	3
39	386 6022	Nut	4	4	4	4	4
40	309 8030	Special Screw	1	1	1	1	1
41	504 0020	Shim	AR	AR	AR	AR	AR
42	414 0257	Spring	1	1	1	1	1
43	412 6007	Connecting Link Double 3/8 P	AR	AR	AR	AR	AR
44	412 6012	Inner Link Double 3/8 P	AR	AR	AR	AR	AR
45	412 6008	Cranked Link Double 3/8 P	AR	AR	AR	AR	AR

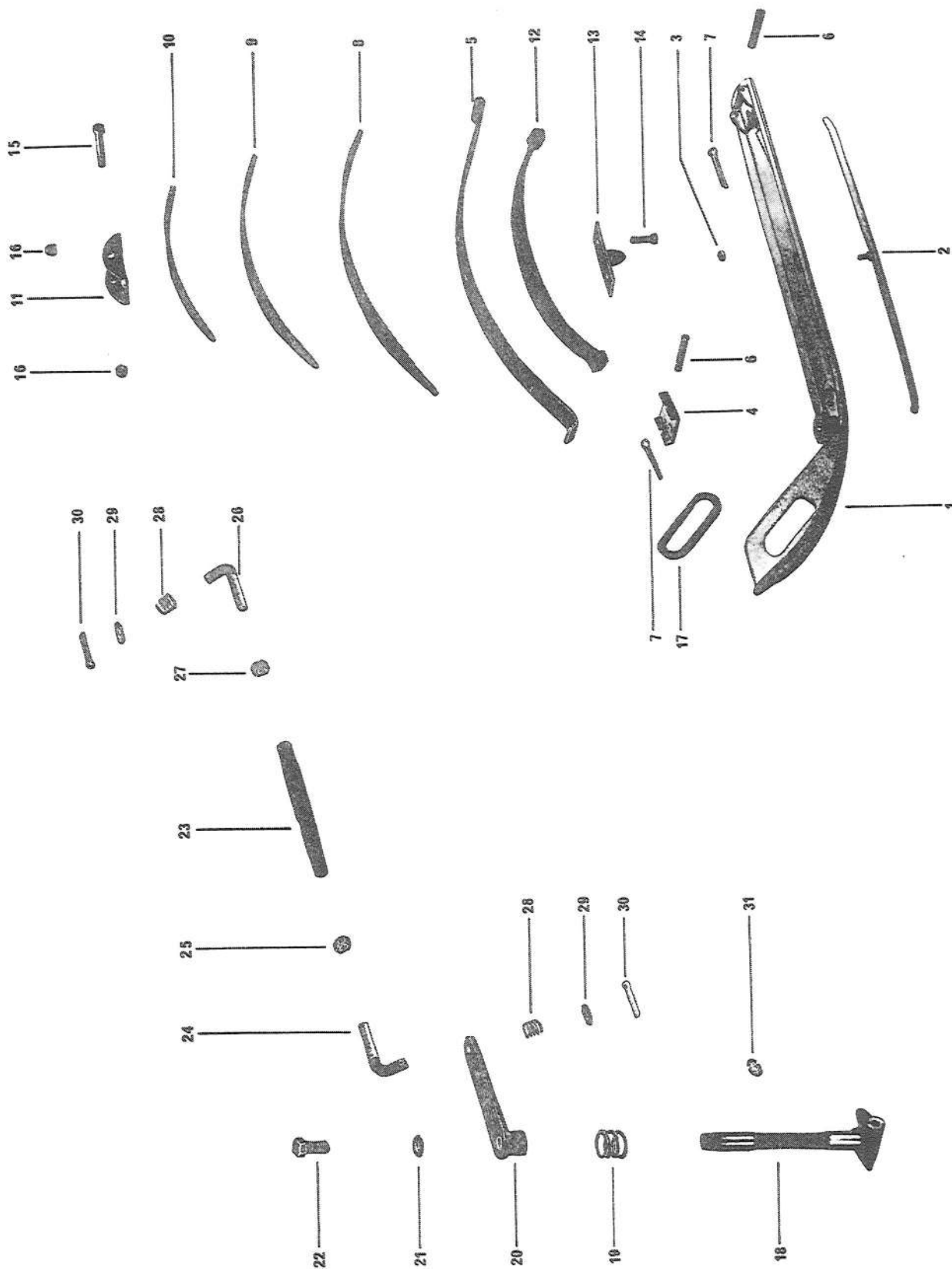
BLIZZARD TRANSMISSION



BLIZZARD TRANSMISSION

ITEM NO.	PART NO.	DESCRIPTION	QUANTITY				
			292	340	436	636	776
1	504 2044	Inner Half	1	1	1	1	1
2	405 4008	Bearing	1	1	1	1	1
3	504 0094	Spring Seat	1	1	1	1	1
4	414 0013	Spring	1	1	1	1	1
5	504 2045	Outer Half	1	1	1	1	1
6	504 2022	Cent. Governor	1	1			
6	504 2052	Cent Governor			1	1	
6	504 2034	Cent. Governor					1
7	504 2026	Governor Washer	1	1	1	1	1
8	309 8010	Special Screw	1	1	1	1	1
9	504 1009	Shim	1	1			
9	504 1057	Shim			1	1	1
10	504 2024	Pressure Lever Kit	AR	AR			
10	504 2041	Pressure Lever Kit W/1/4" Hole ...			AR	AR	
10	504 2040	Pressure Lever Kit W/3/8" Hole ...					AR
11	300 0001	Screw			4	4	
11	300 0081	Screw					4
12	386 6019	Nut			4	4	
12	386 6024	Nut					4
13	504 1037	Fixed Pulley Half	1	1			
13	504 1046	Fixed Pulley Half			1	1	1
14	504 1029	Sliding Pulley	1	1			
14	504 1030	Sliding Pulley			1	1	1
15	405 6002	Bushing	1	1			
15	405 8003	Bushing			1	1	1
16	414 0125	Spring	1	1			
16	414 0138	Spring			1	1	1
17	560 4001	Outer Cam	1	1			
17	504 1035	Outer Cam			1	1	1
18	414 0126	Cam Slider Shoe	3	3	3	3	3
19	372 1123	Roll Pin	1	1			
19	372 1124	Roll Pin			1	1	1
20	570 0411	Drive Belt	1	1	1		
20	570 0414	Drive Belt				1	1

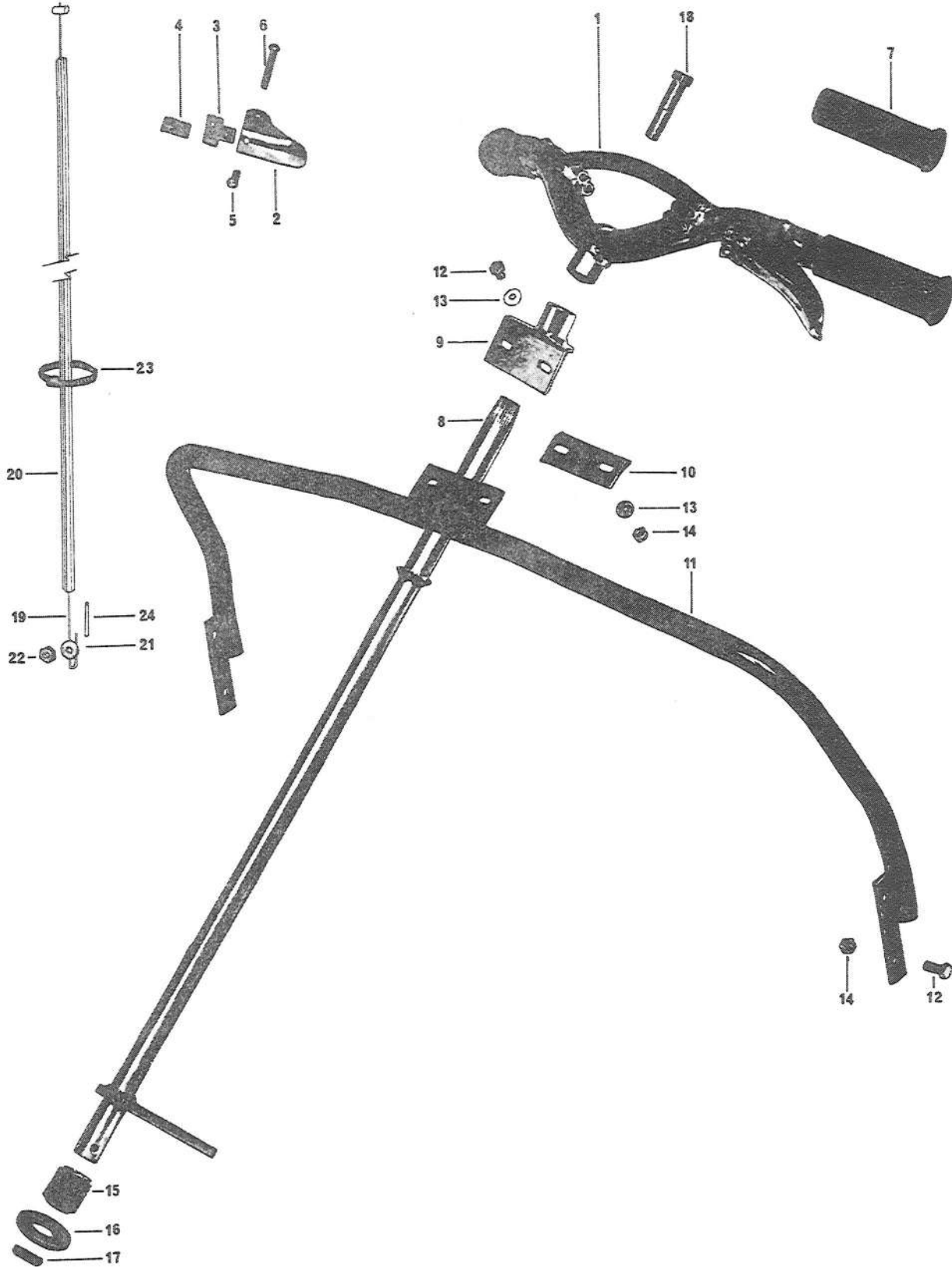
BLIZZARD SKI



BLIZZARD SKI

ITEM NO.	PART NO.	DESCRIPTION	QUANTITY				
			292	340	436	636	776
1	505 0042	Ski Runner	2	2	2	2	2
2	505 0046	Runner Shoe	2	2	2	2	2
3	387 2022	Nut	2	2	2	2	2
4	505 0033	Spring Slider Cushion	2	2	2	2	2
5	505 0016	Main Leaf Spring	2	2	2	2	2
6	505 0034	Retainer Pin	4	4	4	4	4
7	371 0011	Cotter Pin	4	4	4	4	4
8	505 0014	Auxiliary Spring	2	2	2	2	2
9	505 0013	Auxiliary Spring	2	2	2	2	2
10	505 0015	Auxiliary Spring	2	2	2	2	2
11	505 0045	Spring Coupler	2	2	2	2	2
12	505 0054	Overload Spring	2	2	2	2	2
13	570 0502	Rebound Leaf	2	2	2	2	2
14	300 8085	Screw	4	4	4	4	4
15	309 8007	Screw	2	2	2	2	2
16	389 8036	Nut	6	6	6	6	6
17	570 0503	Inside Lift Plate Protector	2	2	2	2	2
18	506 0081	R.H. Ski Leg	1	1	1	1	1
18	506 0076	L.H. Ski Leg	1	1	1	1	1
19	414 0127	Spring	2	2	2	2	2
20	506 0014	Steering Arm	2	2	2	2	2
21	392 0026	Washer	2	2	2	2	2
22	300 8123	Screw	2	2	2	2	2
23	506 0043	Tie Rod	2	2			
23	506 0058	Tie Rod			2	2	2
24	506 0017	Tie Rod End L.H.	2	2	2	2	2
25	389 8015	Jam Nut R.H.	2	2	2	2	2
26	506 0044	Center Tie Rod End	2	2	2	2	2
27	389 8016	Jam Nut L.H.	2	2	2	2	2
28	414 0364	Spring	4	4	4	4	4
29	391 0025	Flat Washer	4	4	4	4	4
30	371 0031	Cotter Pin	4	4	4	4	4
31	408 2001	Grease Fitting	2	2	2	2	2

BLIZZARD STEERING



BLIZZARD STEERING

ITEM NO.	PART NO.	DESCRIPTION	QUANTITY				
			292	340	436	636	776
1	506 0116	Handle	1	1	1	1	1
2	506 0041	Throttle Handle	1	1	1	1	1
2	506 0111	Brake Handle	1	1	1	1	1
3	506 0115	Bracket	1	1	2	2	2
4	506 0073	Cable Slug Retainer	3	3	4	4	4
5	390 5006	Rivet	4	4	6	6	6
6	390 9001	Rivet	2	2	2	2	2
7	572 1704	Handle Grip	2	2	2	2	2
8	506 0100	Handle Bar	1	1	1	1	1
9	506 0090	Bar Bracket	1	1			
9	506 0090	Bar Bracket			1	1	1
10	506 0112	Bracket	1	1			
11	506 0117	Upper Column	1	1			
11	506 0118	Upper Column			1	1	1
12	300 1001	Screw	4	4	2	2	2
12	300 1001	Screw			4	4	4
13	399 9015	Washer	4	4	4	4	4
14	386 6019	Nut	4	4	6	6	6
15	570 0601	Steering Bushing	1	1	1	1	1
16	391 0036	Washer	1	1	1	1	1
17	372 1122	Roll Pin	1	1	1	1	1
18	300 3126	Screw	1	1			
18	300 3128	Screw			1	1	1
19	414 0359	Brake Cable	2	2	2	2	2
19	414 0264	Throttle Cable	1	1			
19	414 0314	Throttle Cable			2	2	2
20	414 0358	Brake Housing	2	2	2	2	2
20	414 0263	Throttle Housing	1	1			
20	414 0313	Throttle Housing			2	2	2
21	399 9008	Washer	1	1	1	1	1
22	386 6119	Nut	1	1			
22	386 6119	Nut			1	1	1
23	114 0043	Hose Tie	1	1	1	1	1
24	414 0452	Cable Protector	1	1	2	2	2



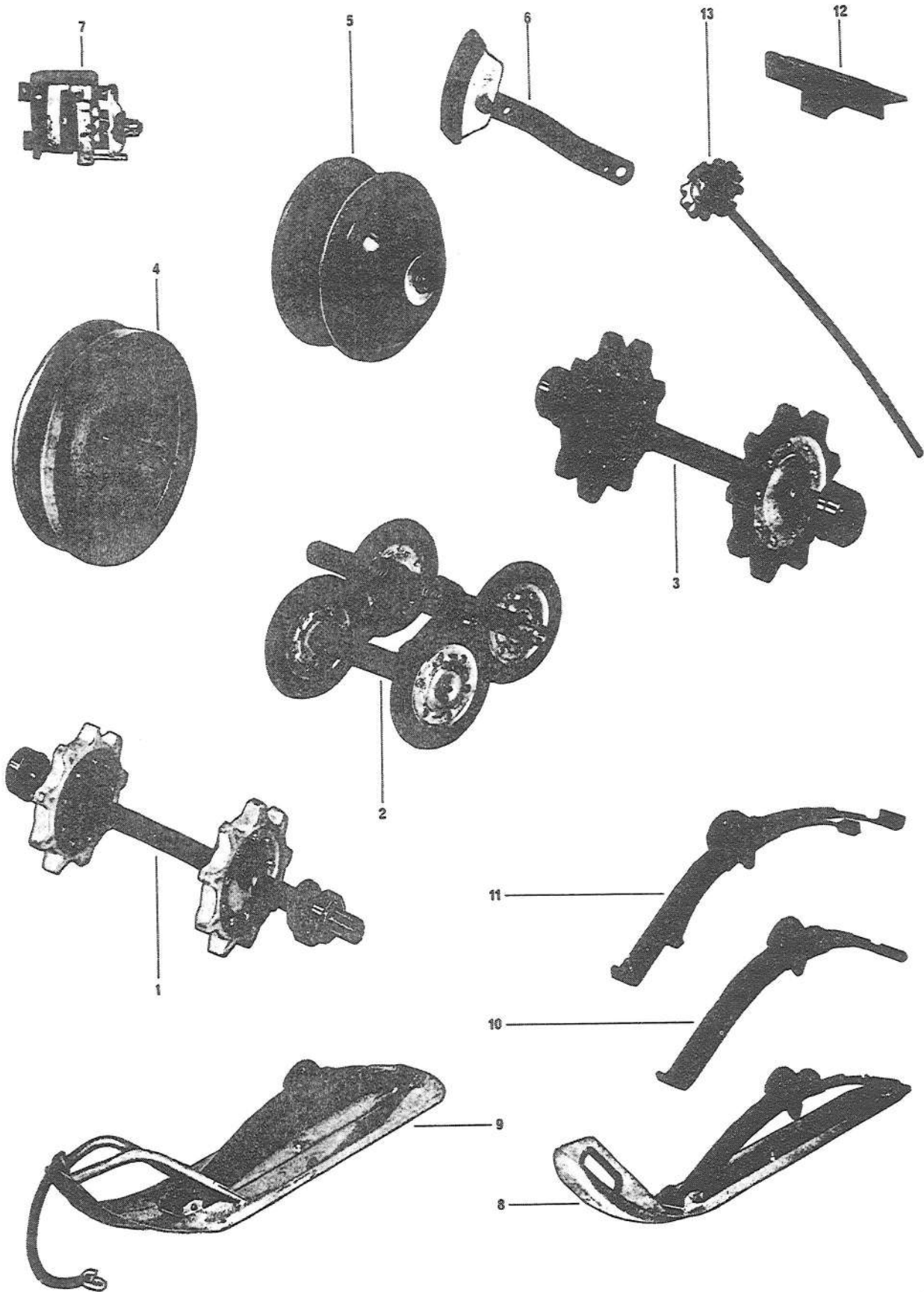


1887
MAY 10
1887

1887
MAY 10
1887

1887
MAY 10
1887

ASSEMBLY



BOMBARDIER LTD./LTEE

SECTION 1

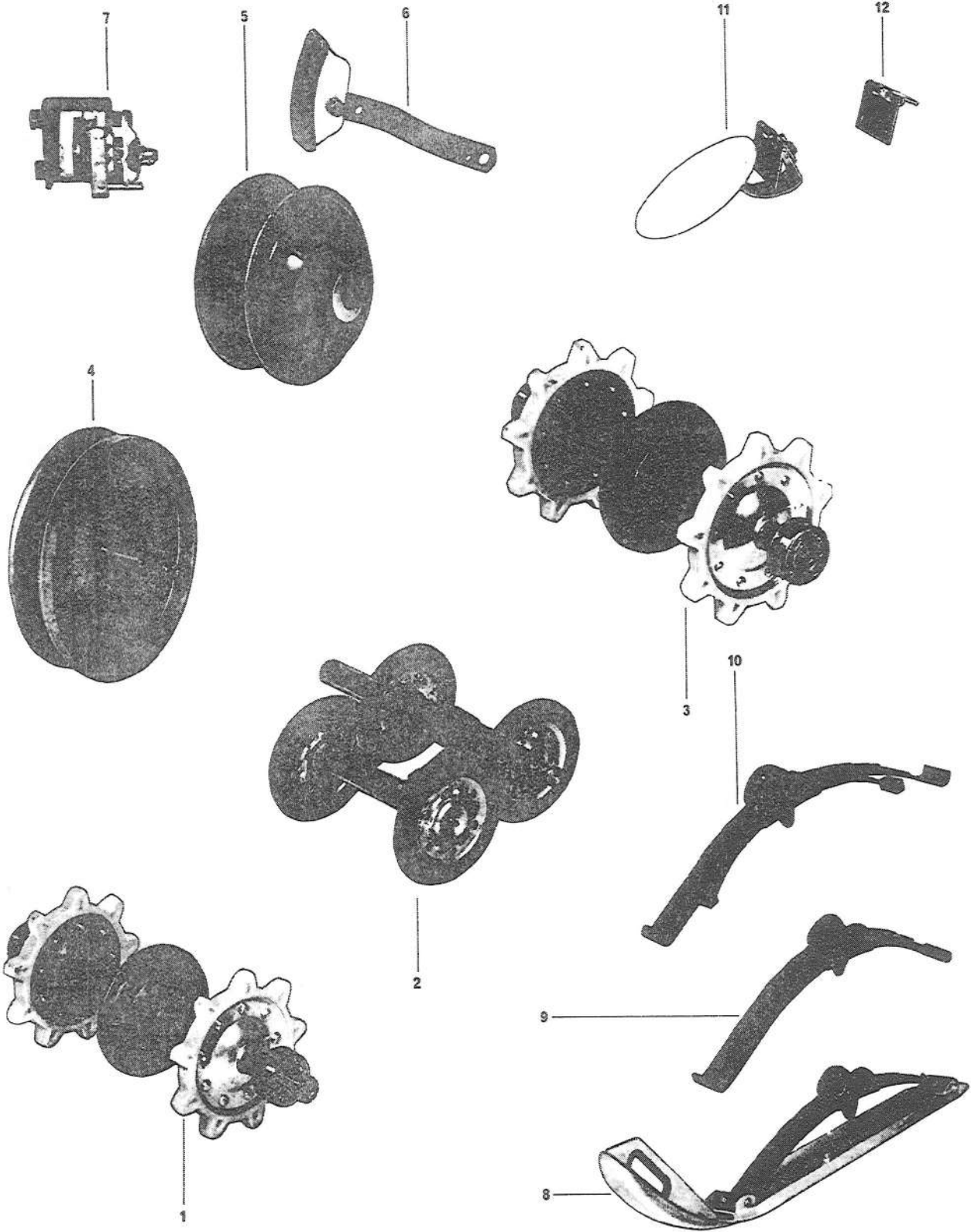
Cat. No. 480 1011

JANUARY 1970

LITHO'D IN CANADA

ITEM NO.	PART NO.	DESCRIPTION	MODEL 15"
1	580 1100	Drive Axle Ass'y	O-399
1	580 1068	Drive Axle Ass'y	O-TNT 15" -B15"
1	580 3025	Drive Axle Ass'y	Alpine
2	580 1070	Wheel Ass'y (Spring 1/4)	O-TNT15"-B15"-A
2	580 1071	Wheel Ass'y (Spring 9/32)	O-TNT15"-B15"
	580 0258	Slide Ass'y	TNT 15"-B.15"
3	581 0229	Rear Hub Ass'y	O-A399
3	581 3014	Rear Hub Ass'y	TNT 15"
3	581 0301	Rear Hub Ass'y	B. 15"
3	581 3014	Rear Hub Ass'y	A640
4	581 1022	Driven Pulley Ass'y	O-TNT15"-B.
5	581 1043	Drive Pulley Ass'y	TNT 340
5	581 1072	Drive Pulley Ass'y	O-TNT15"A399
5	581 3026	Drive Pulley Ass'y	A640
6	581 1023	Brake Lever Ass'y	O-TNT 15"
7	560 7006	Disc Brake Unit	B15"
7	414 0415	Disc Brake Unit	A-399-640
8	581 1048	R.H. Ski Ass'y	O-TNT15"
8	581 1049	L.H. Ski Ass'y	O-TNT15"
8	581 0304	R.H. Ski Ass'y	B15"
8	581 0305	L.H. Ski Ass'y	B15"
9	580 3043	Ski Ass'y	A399
9	580 3078	Ski Ass'y	A640
10	582 1020	R.H. Leaf Spring Ass'y	O-TNT15"
10	582 1021	L.H. Leaf Spring Ass'y	O-TNT15"
11	582 0301	R.H. Leaf Spring Ass'y	B15"
11	582 0302	L.H. Leaf Spring Ass'y	B15"
10	582 3004	Leaf Spring Ass'y	A399
10	582 3005	Leaf Spring Ass'y	640
12	582 1016	Head Lamp Hinge Ass'y	O335-399-TNT 340
13	580 1051	Fuel Tank Cap Ass'y	O-TNT15"
13	580 3028	Fuel Tank Cap Ass'y	A-399-640

ASSEMBLY



ASSEMBLY

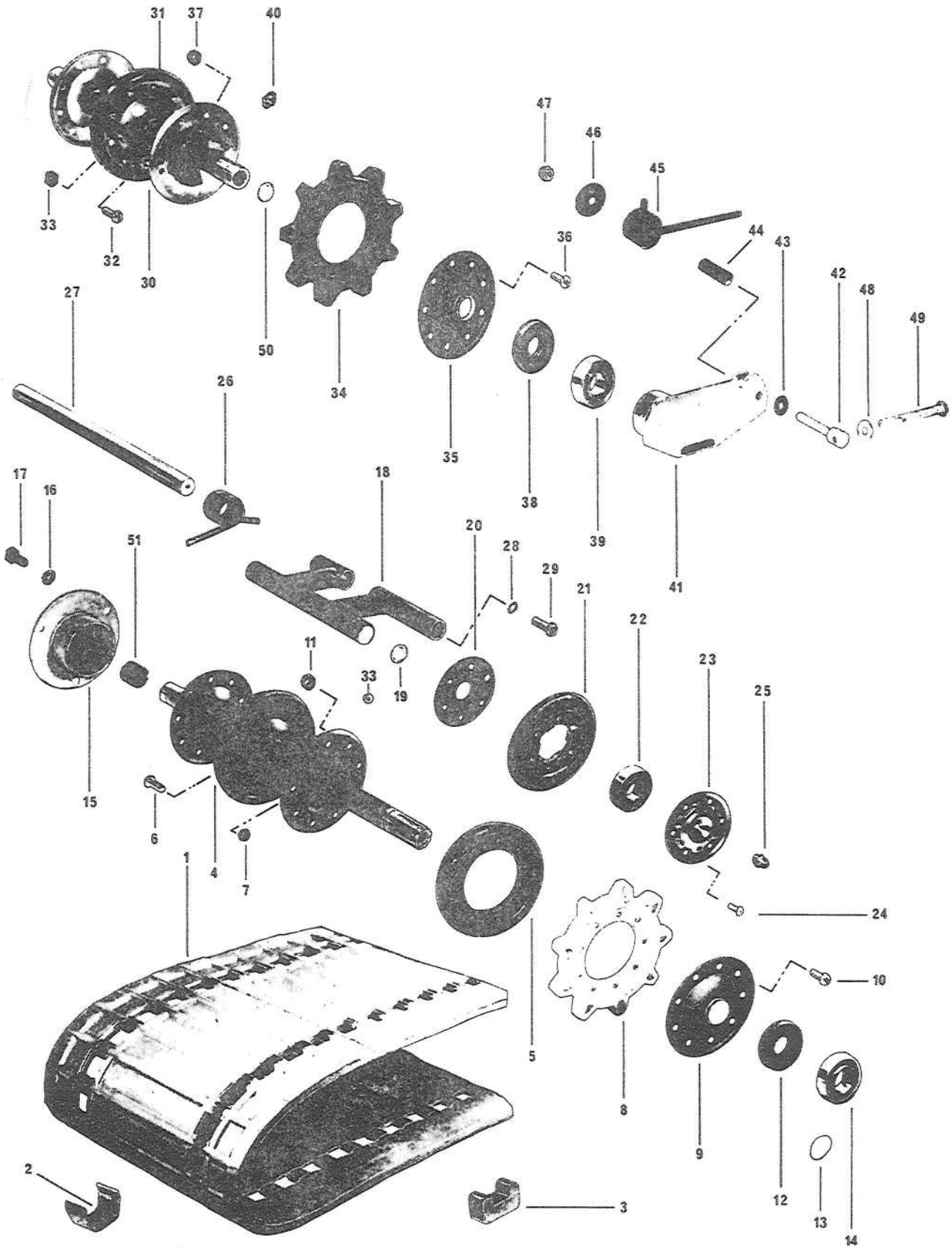
ITEM NO.	PART NO.	DESCRIPTION	MODEL 18"
1	580 0130	Drive Axle Ass'y	N-399 TNT 399
1	580 0150	Drive Axle Ass'y ..	N640 TNT640-775
1	580 0317	Drive Axle Ass'y	B-18"
2	580 0132	Wheel Ass'y (Spring 1/4")	N399
2	580 0133	Wheel Ass'y (Spring 9/32")	N399
2	580 0152	Wheel Ass'y (Spring 1/4")	N640 TNT18" B-18"
2	580 0153	Wheel Ass'y (Spring 9/32")	N640 TNT 18" B18"
	580 0259	Slide Ass'y	TNT 18" B18"
3	580 0118	Rear Hub Ass'y	N399
3	581 0125	Rear Hub Ass'y	N640 TNT 18"
3	581 0307	Rear Hub Ass'y	B18"
4	581 1022	Driven Pulley Ass'y	N399 TNT 399
4	581 0207	Driven Pulley Ass'y	N640 TNT640-775 B18"
5	581 1072	Drive Pulley Ass'y	N399 TNT 399
5	581 0143	Drive Pulley Ass'y	N640 TNT640-775 B776
5	581 0143	Drive Pulley Ass'y	B-436 636
6	581 1023	Brake Lever Ass'y	N-TNT 18"
7	560 7006	Disc Brake Unit	B18"
8	581 0116	R.H. Ski Ass'y	N TNT 18"
8	581 0117	L.H. Ski Ass'y	N TNT 18"
8	581 0304	R.H. Ski Ass'y	B18"
8	581 0305	L.H. Ski Ass'y	B18"
9	582 0105	R.H. Leaf Spring Ass'y	N-TNT18"
9	582 0106	L.H. Leaf Spring Ass'y	N TNT 18"
10	582 0301	R.H. Leaf Spring Ass'y	B18"
10	582 0302	L.H. Leaf Spring Ass'y	B18"
11	581 0110	Filler Door Ass'y	N640 TNT 18"
12	582 0103	Hinge	N640 TNT 18"



SECTION 1

**TRACK
DRIVE (AXLE)
WHEEL
SUSPENSION
TRANSMISSION
SKI
STEERING/BRAKE**

SUSPENSION



BOMBARDIER LTD./LTEE

Cat. No. 480-1613

LITHO'D IN CANADA

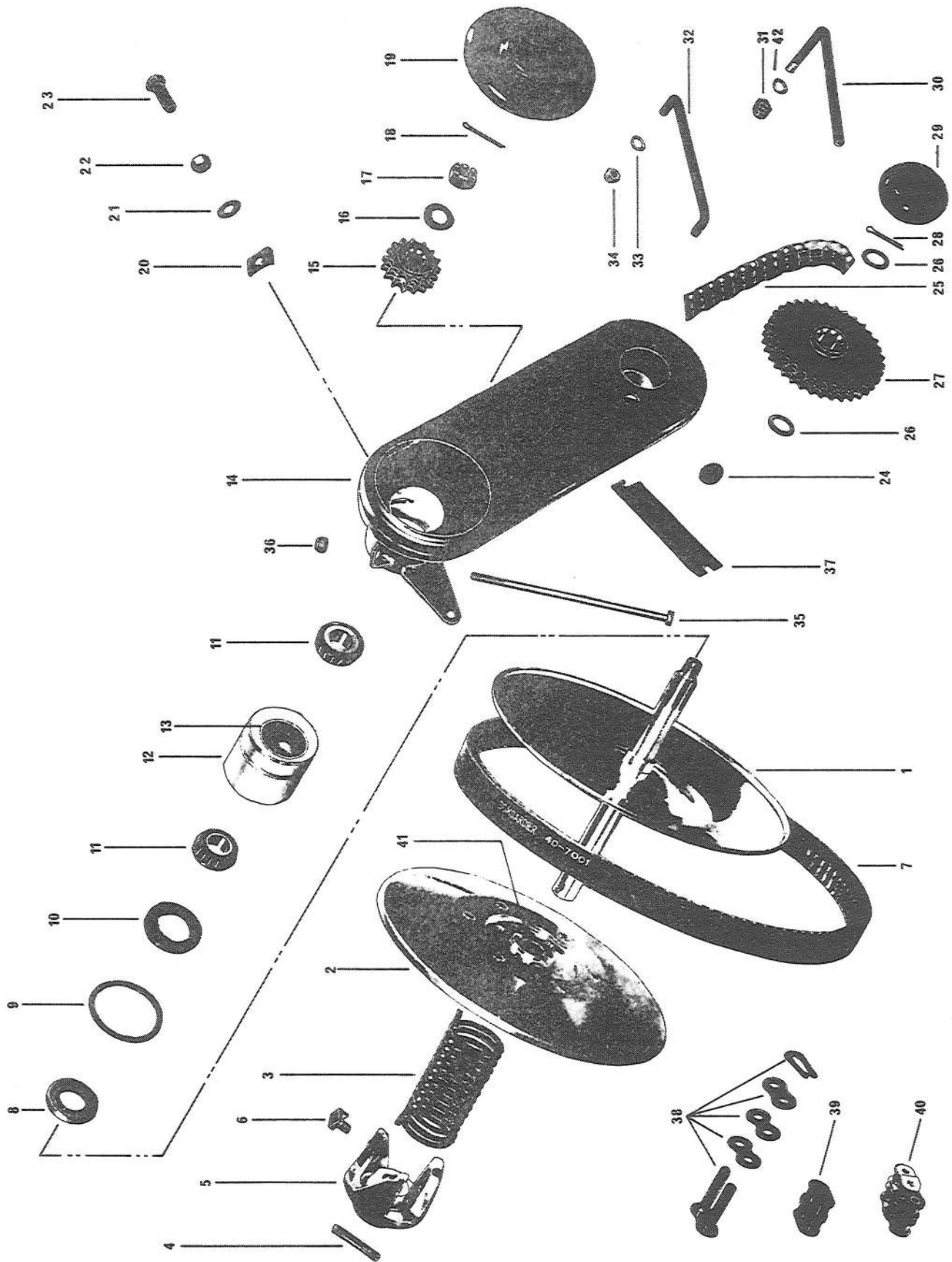
SECTION 1 - PAGE 2

OCTOBER 1969.

SUSPENSION

ITEM NO.	PART NO.	DESCRIPTION	QUANTITY
			335
1	570 0007	Track W/Insert	1
2	570 0003	Insert	AR
3	529 0003	Insert Block (Tool)	1
4	501 0023	Drive Axle W/Idler	1
5	570 0304	Idler	1
6	320 1062	Screw	9
7	387 3013	Nut	9
8	414 0001	Sprocket	2
9	501 0018	Mobile Flange	2
10	320 1102	Screw	18
11	387 2019	Nut	18
12	581 1017	Seal W/Spring	2
13	414 0153	Spring For Seal	2
14	405 4002	Bearing	2
15	501 0007	End Bearing Housing	1
16	392 0019	Washer	3
17	300 0000	Screw	3
18	502 0021	Wheel Support	6
19	502 0011	Cap	12
20	502 0015	Inner Flange	12
21	570 0205	Wheel Tire (With Rib)	12
22	405 4002	Bearing	12
23	502 0016	Outer Flange	12
24	320 1062	Screw	72
25	408 2001	Grease Fitting	12
26	502 0010	Spring 1/4 ϕ (Rear)	4
26	502 0020	Spring 9/32 ϕ (Front)	2
27	502 0014	Cross Shaft	3
28	399 8001	Washer	6
29	300 8043	Screw	6
30	503 0050	Rear Hub	1
31	570 0304	Idler	1
32	320 1062	Screw	9
33	387 3013	Nut	81
34	570 0101	Sprocket	2
35	501 0018	Mobile Flange	2
36	320 1062	Screw	18
37	387 3013	Nut	18
38	570 0301	Seal	2
39	405 4002	Bearing	2
40	408 2001	Grease Fitting	2
41	503 0035	R.H. Link Plate	1
41	503 0036	L.H. Link Plate	1
42	503 0028	Adjuster Eye Bolt	2
43	503 0044	Hardened Washer	2
44	503 0040	Adjuster Sleeve	2
45	503 0033	R.H. Spring	1
45	503 0034	L.H. Spring	1
46	503 0016	Retainer Washer	2
47	389 8037	Nut	2
48	399 9007	Washer	2
49	309 8027	Screw	2
50	503 0049	Cap	2

CHAIN CASE



BOMBARDIER LTD./LTEE

Cat No. 460-1013

LITHO'D IN CANADA

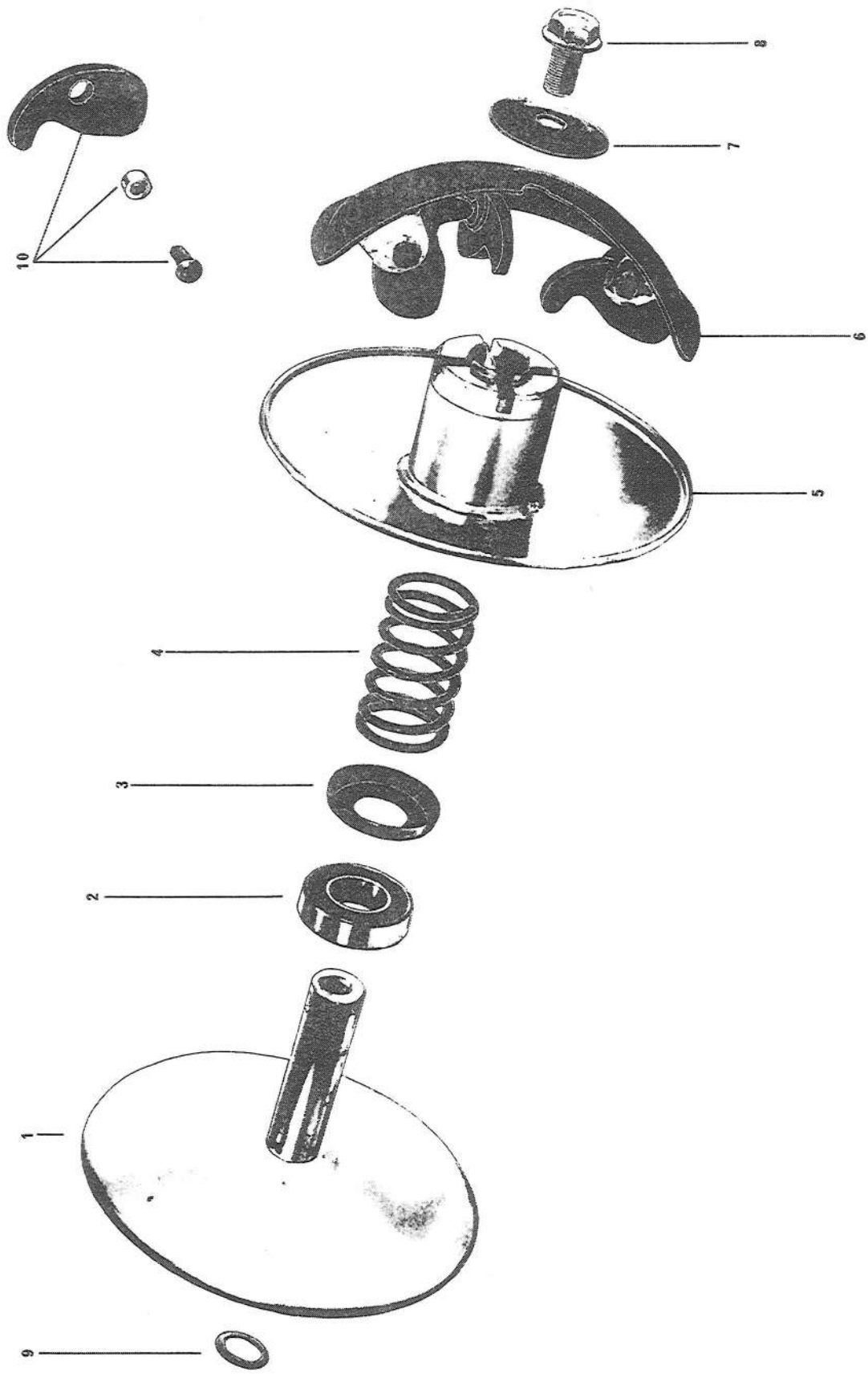
SECTION 1 - PAGE 4

OCTOBER 1969.

CHAIN CASE

ITEM NO.	PART NO.	DESCRIPTION	QUANTITY
			335
1	504 1037	Fixed Pulley Half	1
2	504 1029	Sliding Pulley	1
3	414 0125	Spring	1
4	372 1123	Roll Pin	1
5	560 4001	Outer Cam	1
6	414 0126	Cam Slider Shoe	3
7	570 0411	Drive Belt	1
8	406 3001	Oil Seal	1
9	406 0001	"O" Ring	1
10	504 0046	Oil Retainer Ring	1
11	405 0001	Bearing Cone	2
12	504 0100	Tensioner W/Cup	1
13	405 0002	Bearing Cup	2
14	504 0074	Chain Case	1
15	504 0102	Sprocket 12 Teeth	1
16	504 0015	Washer	1
17	381 2028	Nut	1
18	371 0011	Cotter Pin	1
19	570 0403	Inspection Cover	1
20	504 0072	Segment	1
21	399 8016	Washer	1
22	380 9024	Nut	1
23	300 4084	Screw	1
24	570 0406	Plug	1
25	412 1013	Driving Chain	1
26	504 0039	Spacer	2
27	504 0045	Sprocket 34 Teeth	1
28	371 0013	Cotter Pin	1
29	570 0413	Access Plug	1
30	504 0087	Bracket	1
31	386 6022	Nut	1
32	504 0042	"U" Clamp	1
33	391 0023	Washer	2
34	386 6022	Nut	2
35	309 8030	Special Screw	1
36	386 6022	Nut	1
37	504 0020	Shim	AR
38	412 6007	Connecting Link Double 3/8 P.	AR
39	412 6012	Inner Link Double 3/8 P.	AR
40	412 6008	Cranked Link Double 3/8 P.	AR
41	405 6002	Bushing	AR
42	399 9007	Washer	1

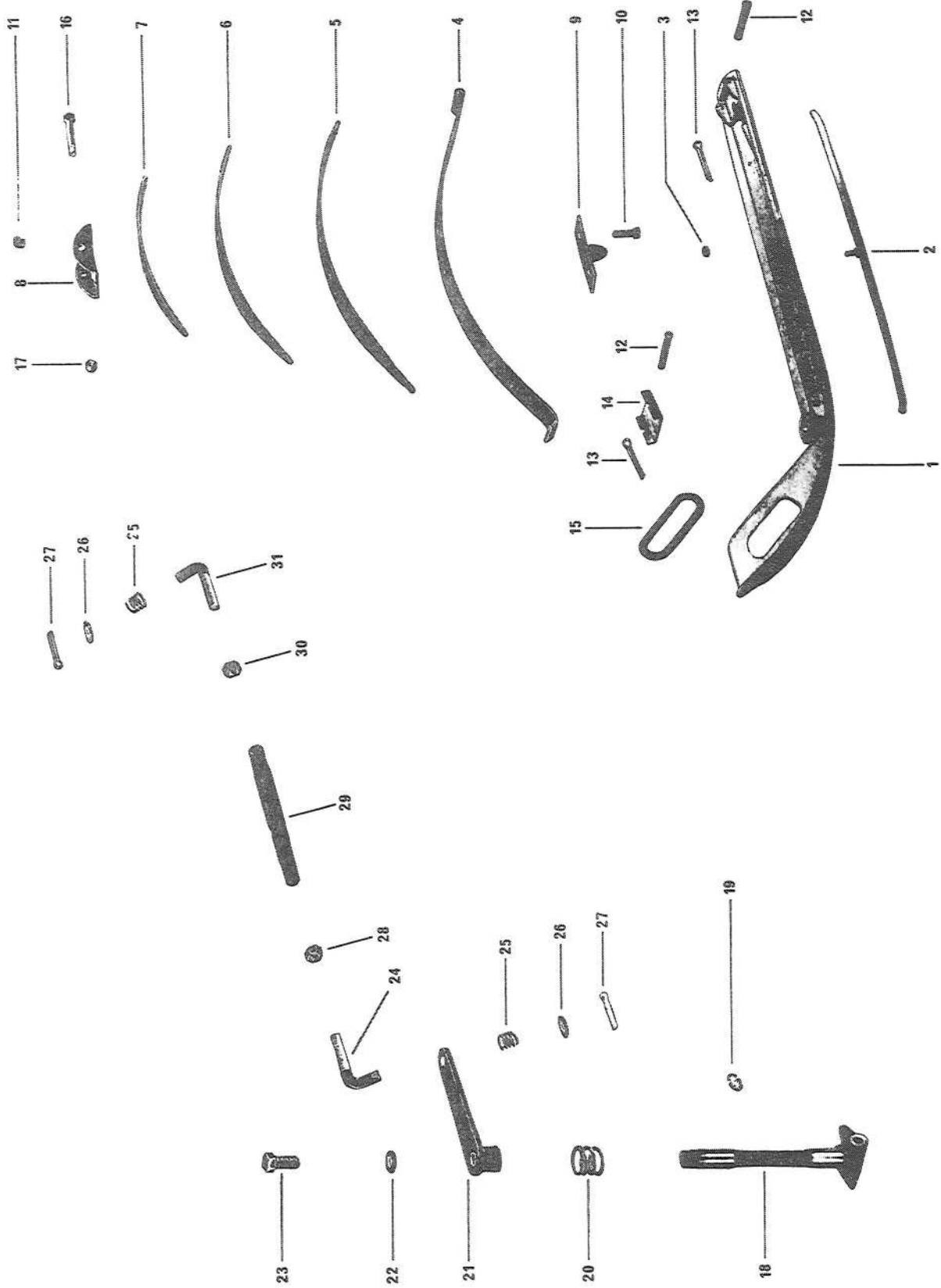
TRANSMISSION



TRANSMISSION

ITEM NO.	PART No.	DESCRIPTION	QUANTITY
			335
1	504 2008	Inner Half	1
2	405 4005	Bearing	1
3	504 2013	Spring Seat	1
4	414 0013	Spring	1
5	504 2042	Outer Half	1
6	504 2022	Cent Governor	1
7	504 2026	Governor Washer	1
8	309 8010	Special Screw	1
9	504 1009	Shim	AR
10	504 2024	Pressure Lever Kit	AR

SKI



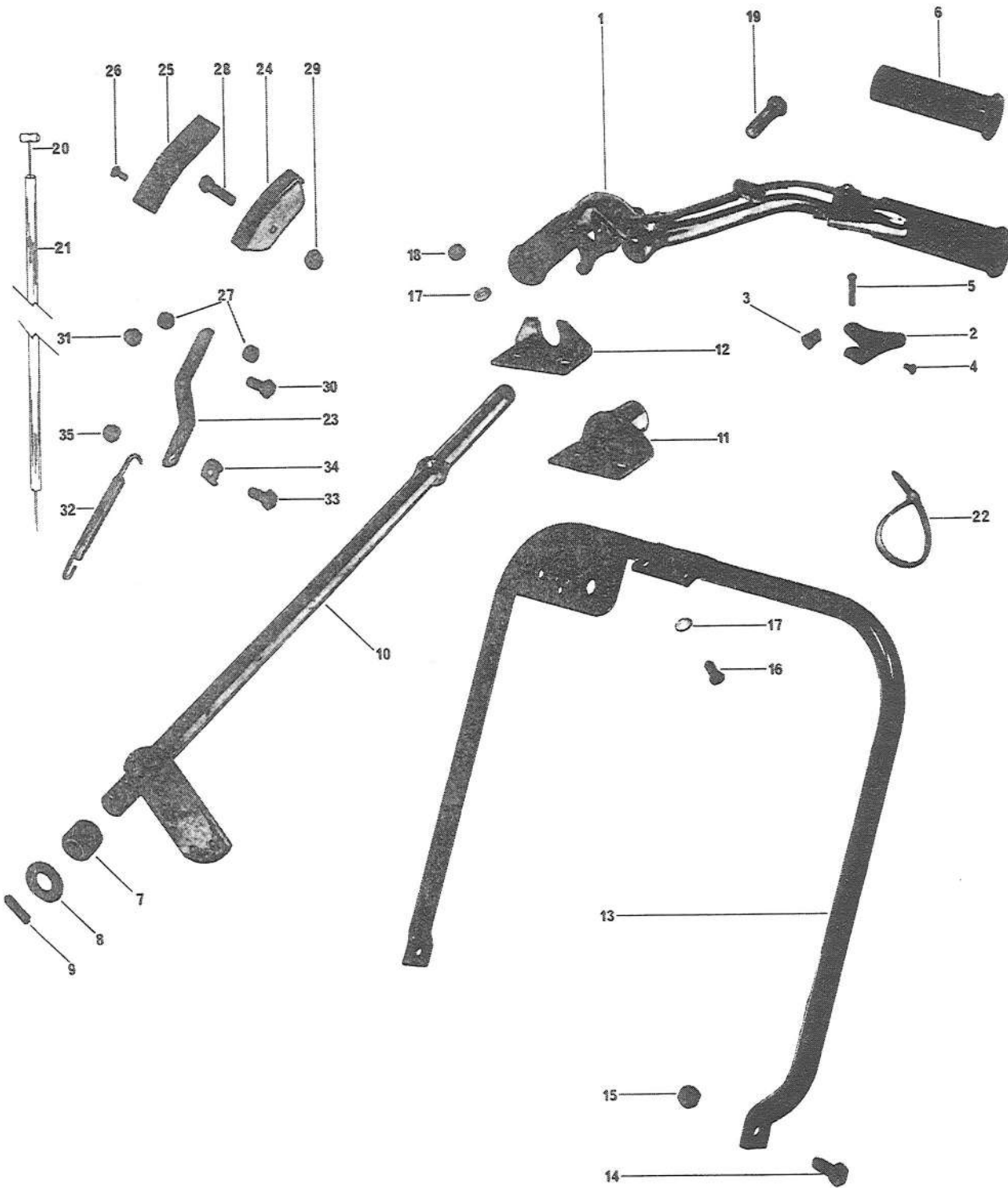
BOMBARDIER LTD./LTEE

Cat. No. 480-1013

SKI

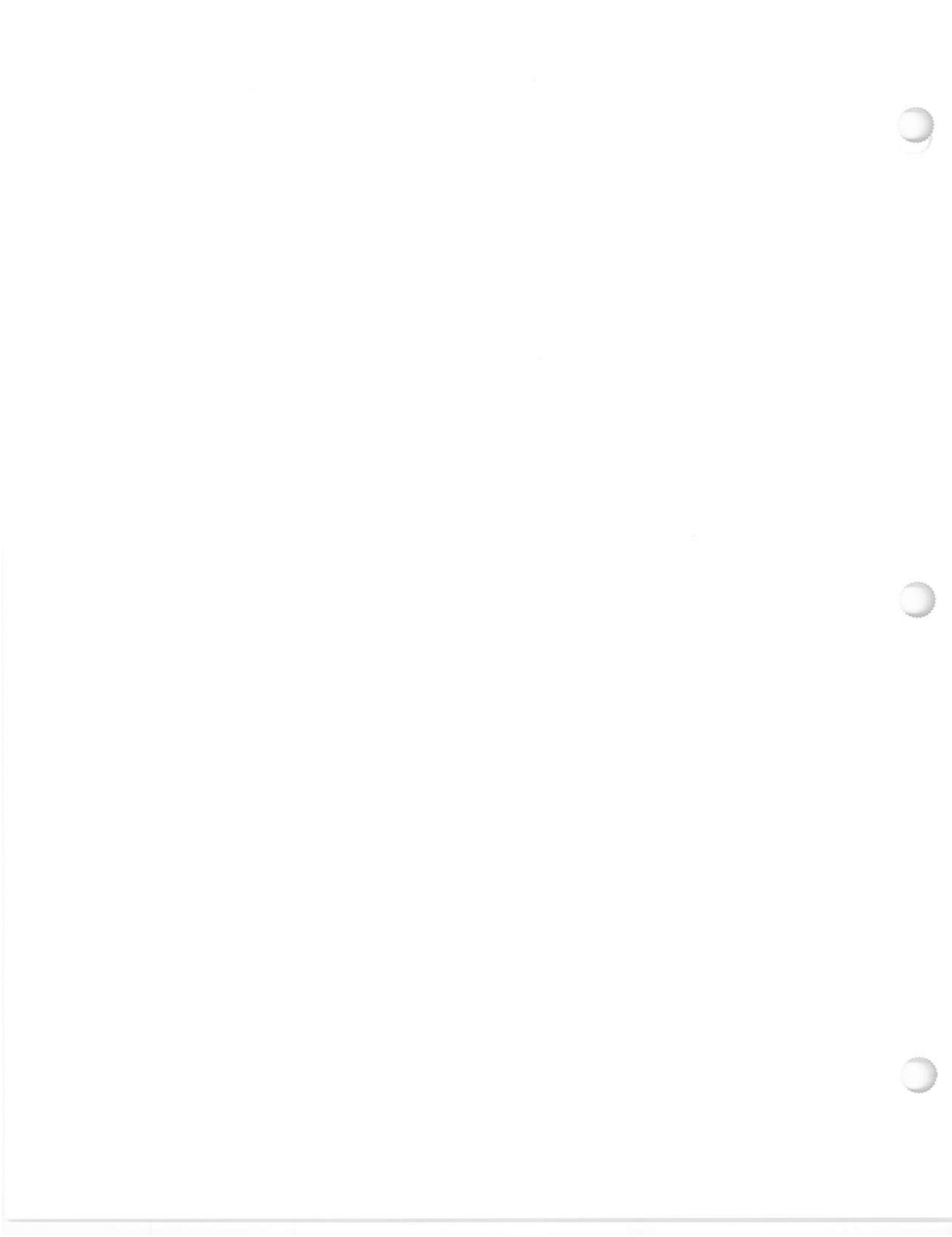
ITEM NO.	PART NO.	DESCRIPTION	QUANTITY
			335
1	505 0042	Ski Runner	2
2	505 0046	Runner Shoe	2
3	387 2022	Nut	2
4	505 0018	Main Leaf Spring	2
5	505 0014	Auxiliary Leaf Spring	2
6	505 0013	Auxiliary Leaf Spring	2
7	505 0015	Auxiliary Leaf Spring	2
8	505 0045	Spring Coupler	2
9	570 0502	Rebound Leaf Spring	2
10	300 8085	Screw	4
11	389 8036	Nut	4
12	505 0034	Retainer Pin	4
13	371 0011	Cotter Pin	4
14	503 0033	Spring Slider Cushion	2
15	570 0503	Inside Protector	2
16	309 8007	Screw	2
17	389 8036	Nut	2
18	506 0076	L.H. Ski Leg	1
18	506 0081	R.H. Ski Leg	1
19	408 2001	Grease Fitting	2
20	414 0127	Spring	2
21	506 0114	Steering Arm	2
22	392 0026	Washer	2
23	300 8123	Screw	2
24	506 0017	Tie Rod End (R.H. Thread)	2
25	414 0364	Spring	4
26	391 0025	Washer	4
27	371 0031	Cotter Pin	4
28	389 8015	Nut R.H.	2
29	506 0058	Tie Rod	2
30	389 8016	Nut L.H.	2
31	506 0044	Tie Rod End (L.H. Thread)	2

STEERING & BRAKE



STEERING & BRAKE

ITEM NO.	PART NO.	DESCRIPTION	QUANTITY
			335
1	506 0110	Handle	1
2	506 0041	Hand Handle	2
3	506 0073	Cable Slug Retainer	2
4	390 5006	Rivet For Slug	2
5	390 9001	Rivet	2
6	572 1704	Grip	2
7	570 0601	Steering Bushing	1
8	391 0036	Washer	1
9	372 1122	Roll Pin	1
10	506 0100	Handle Bar	1
11	506 0079	Bar Bracket	1
12	506 0112	Bracket	1
13	517 0187	Upper Column	1
14	300 0001	Screw	2
15	386 6019	Nut	2
16	300 1001	Screw	2
17	399 9015	Washer	4
18	386 6019	Nut	2
19	300 3126	Screw	1
20	414 0262	Brake Cable	1
21	414 0265	Cable Housing	1
22	114 0043	Hose Tie	1
23	507 0036	Brake Lever	1
24	507 0037	Shoe	1
25	507 0038	Lining	1
26	390 5001	Rivet	3
27	507 0046	Lug Spacer	2
28	309 8020	Screw	1
29	386 6019	Nut	1
30	309 8019	Screw	1
31	386 6019	Nut	1
32	414 0448	Spring	1
33	300 0001	Screw	1
34	507 0047	Cable Lock Bracket	1
35	386 6019	Nut	1



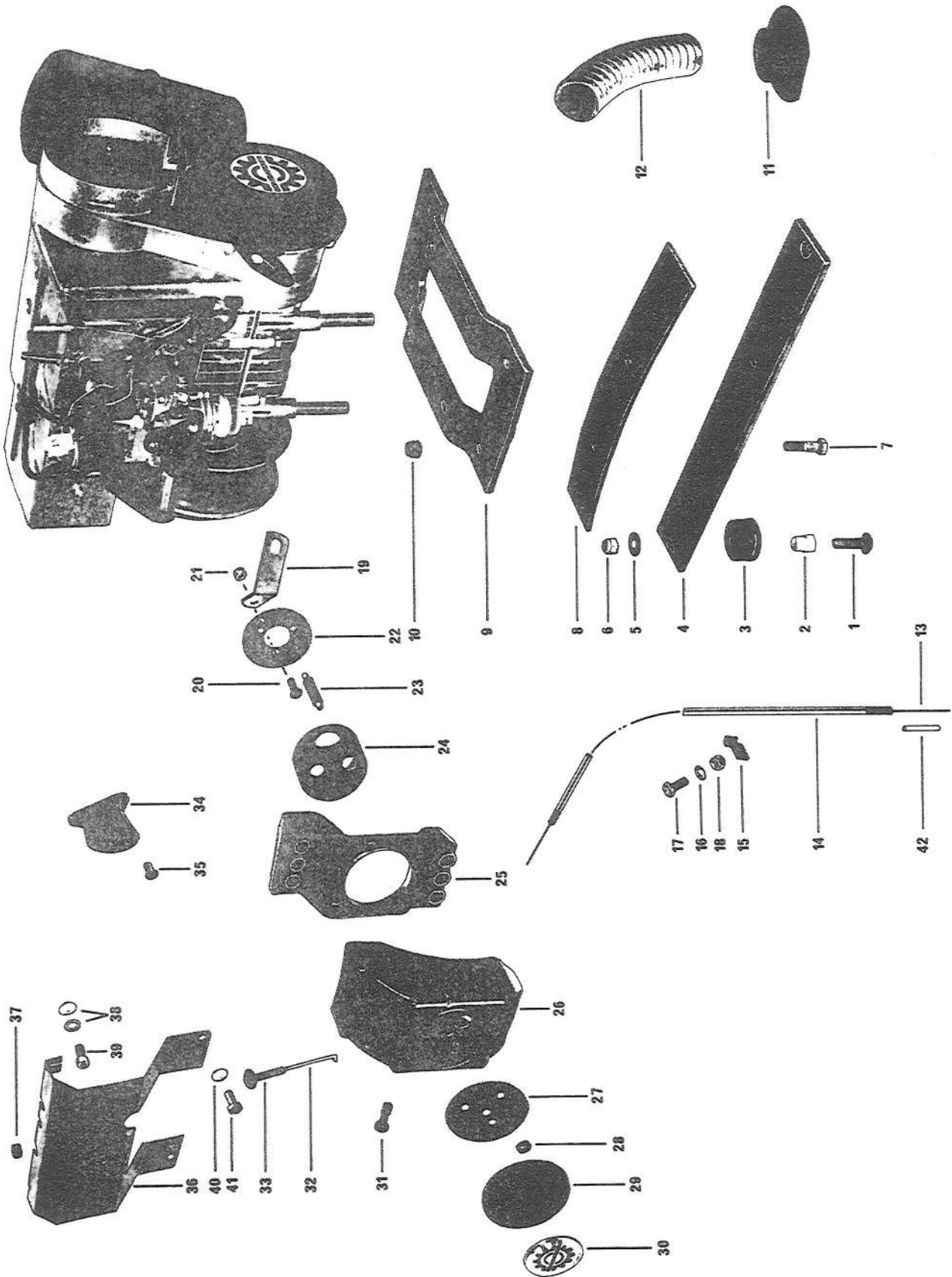
SECTION 2



SECTION 2

ENGINE THROTTLE FUEL EXHAUST

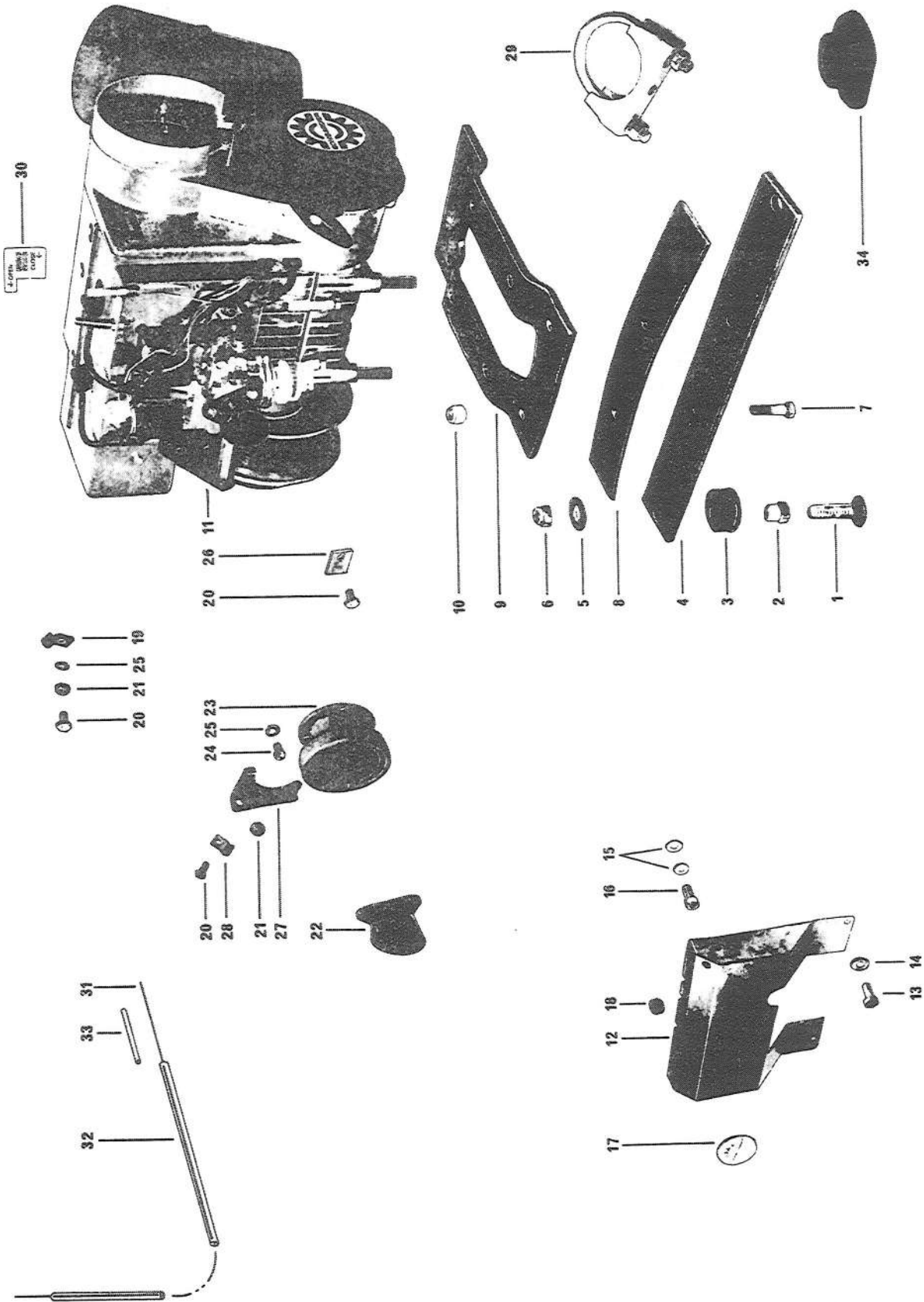
ENGINE (OLYMPIC)



ENGINE (OLYMPIC)

ITEM NO.	PART NO.	DESCRIPTION	QUANTITY							
			12/3	335	335E	399	TNT 292	TNT 340	TNT 292S	TNT 340S
1	360 8010	Screw	4	4	4	4	4	4	4	4
2	512 0011	Threaded Spacer Bushing	4	4	4	4	4	4	4	4
3	570 1202	Insulator Rubber	4	4	4	4	4	4	4	4
4	512 0012	Engine Support	2	2	2		2	2	2	2
4	512 0046	Engine Support				2				
5	399 9006	Washer	4	4	4	4	4	4	4	4
6	389 8036	Nut	4	4	4	4	4	4	4	4
7	309 8025	Screw w/knurling	4	4	4	4	4	4	4	4
8	512 0047	Engine Leaf Spring				2				
9	512 0017	Engine Bracket	1	1	1		1	1	1	1
9	512 0032	Engine Bracket				1				
10	389 8037	Nut	4	4	4	4	4	4	4	4
11	570 1403	Exhaust Grommet	1	1	1	1	1	1	1	1
12	414 0349	Exhaust Pipe				1				
12	414 0264	Throttle Cable	1	1	1		1	1	1	1
13	414 0261	Throttle Cable				1				
14	414 0263	Cable Housing	1	1	1		1	1	1	1
14	414 0288	Cable Housing				1				
15	507 0028	Housing Clip	1	1	1		1	1	1	1
15	513 0053	Housing Clip				1				
16	399 8007	Washer	1	1	1		1	1	1	1
17	300 5000	Screw	1	1	1	2				
17	321 7100	Screw				1				
18	387 5019	Nut				1				
19	513 0045	Carburator Bracket	1	1	1					
20	300 0000	Screw	1	1	1					
21	386 6119	Nut	1	1	1					
22	402 3004	Silencer Bottom	1	1	1					
22	402 3003	Silencer Bottom					1	1	1	1
23	402 3019	Collar Stud	3	3	3		3	3	3	3
24	402 3033	Silencer Socket	1	1	1					
24	402 3007	Silencer Socket					1	1	1	1
25	414 0270	Air Intake	1	1	1					
25	414 0170	Upper Air Intake					1	1	1	1
26	414 0171	Lower Air Intake					1	1	1	1
27	402 3016	Retaining Disk	1	1	1					
27	402 3015	Retaining Disk					1	1	1	1
28	386 6119	Nut	3	3	3		3	3	3	3
29	414 0271	Intake Silencer Cap	1	1	1		1	1	1	1
30	414 0411	Crest	1	1	1	1	1	1	1	1
31	402 8032	Jet Wrench	1	1	1					
32	402 3023	Choke Rod	1	1	1					
32	402 3022	Choke Rod					1	1	1	1
33	402 3020	Choke Button	1	1	1		1	1	1	1
34	570 1203	Intake Funnel				1				
34	570 1208	Intake Funnel					1	1	1	1
35	337 7100	Screw				3				
35	324 9100	Screw					3	3	3	3
36	512 0059	Engine Console				1				
37	570 1503	Grommet				2				
38	399 8007	Washer				4				
39	303 9001	Screw				2				
40	399 9015	Washer				2				
41	300 1001	Screw				2				
42	414 0452	Cable Protector	1	1	1	1	1	1	1	1
	400 2004	Engine	1							
	400 2104	Engine		1						
	400 5002	Engine			1					
	400 3104	Engine				1				
	400 2005	Engine					1		1	
	400 2105	Engine						1		1

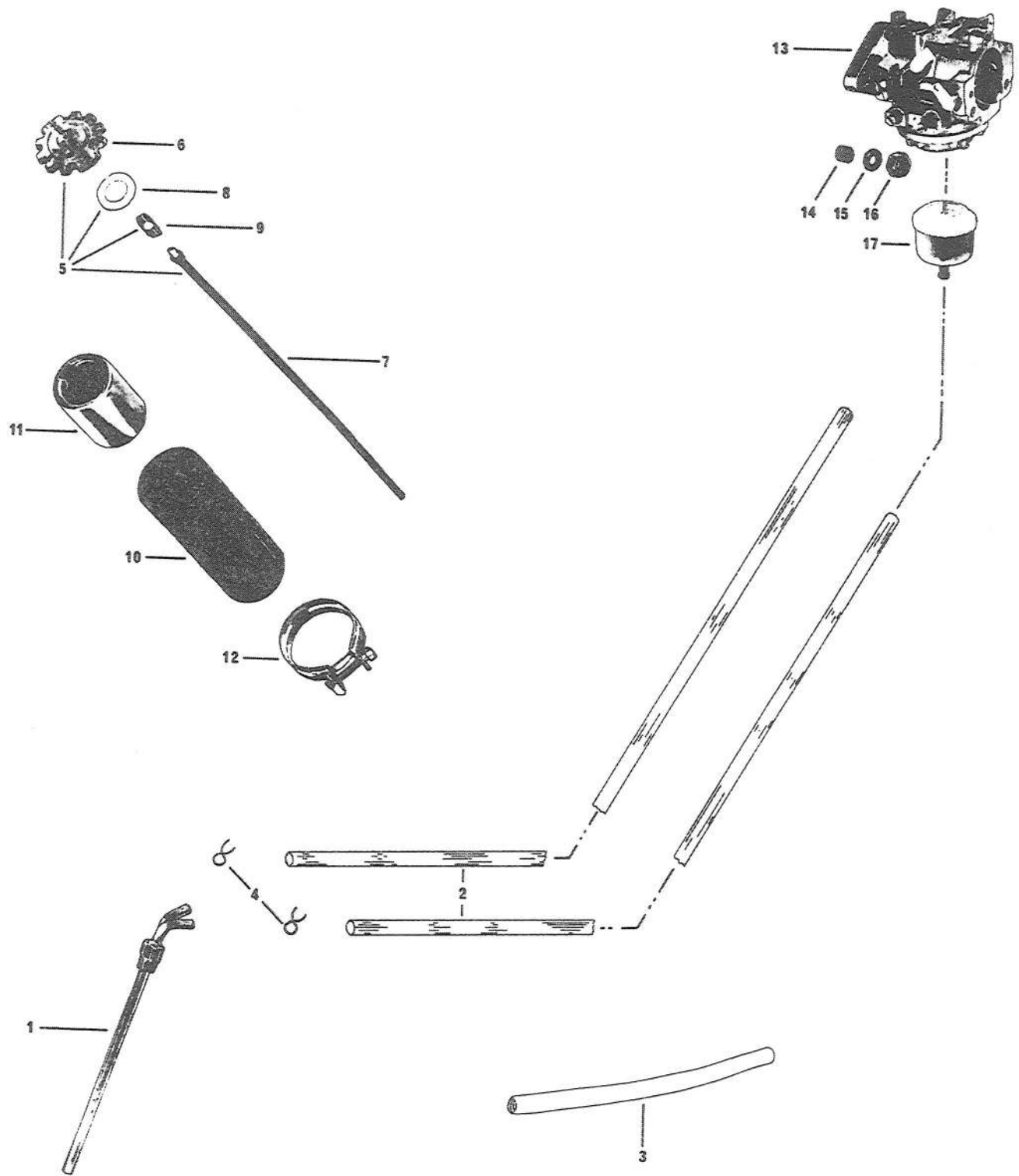
ENGINE (NORDIC)



ENGINE (NORDIC)

ITEM NO.	PART NO.	DESCRIPTION	QUANTITY						
			399	399E	640E	TNT 399	TNT 640	TNT 399S	TNT 640S
1	360 8010	Carriage Bolt	4	4	4	4	4	4	4
2	512 0011	Threaded Spacer.....	4	4	4	4	4	4	4
3	570 1202	Insulator Rubber	4	4	4	4	4	4	4
4	512 0031	Engine Support.....	2	2		2		2	
4	512 0053	Engine Support.....			2		2		2
5	399 9006	Washer.....	4	4	4	4	4	4	4
6	389 8039	Nut.....	4	4	4	4	4	4	4
7	309 8025	Screw.....	4	4	6	4	6	4	6
8	512 0045	Engine Leaf Spring	2	2		2		2	
8	512 0054	Engine Leaf Spring			2		2		2
9	512 0032	Engine Bracket.....	1	1		1		1	
9	512 0037	Engine Bracket.....			1		1		1
10	389 8037	Nut.....	4	4	6	4	6	4	6
11	400 3104	Engine.....	1						
11	400 3106	Engine.....		1					
11	400 7011	Engine.....			1				
11	400 7007	Engine.....					1		1
11	400 3105	Engine.....				1		1	
12	512 0051	Engine Console.....					1		1
12	512 0059	Engine Console.....				1		1	
13	300 1001	Screw.....				2	2	2	2
14	399 9015	Washer.....				2	2	2	2
15	399 8007	Washer (lock).....				4	4	4	4
16	303 9001	Screw.....				2	2	2	2
17	414 0411	Bombardier Crest.....				1	1	1	1
18	570 1503	Grommet.....				2	3	2	3
19	513 0053	Clip.....	2	2	1	1	1	1	1
20	300 5000	Screw.....	3	3	3				
20	321 7100	Screw.....				1	1	1	1
21	386 9003	Nut.....			2				
21	387 5019	Nut.....				1	1	1	1
22	570 1203	Intake Funnel Bonding	1	1					
22	570 1208	Intake Funnel Bonding				1	1	1	1
23	414 0397	Air Intake Silencer			1				
24	337 7100	Screw.....	3	3	3	3	3	3	3
25	392 0019	Washer.....	3	3	3				
26	512 0064	Bracket.....	1	1	1				
27	512 0084	Choke Bracket.....			1				
28	507 0028	Clip.....			1				
29	414 0222	Clamp.....			3		3		3
30	414 0504	Ventilation Label			1		1		1
31	414 0261	Throttle Cable.....	1	1		1		1	
31	414 0314	Throttle Cable.....			1		1		1
32	414 0288	Cable Housing.....	1	1		1		1	
32	414 0313	Cable Housing.....			1		1		1
33	414 0452	Cable Protector.....	1	1	1	1	1	1	1
34	570 1404	Exhaust Grommet.....			1		1		1

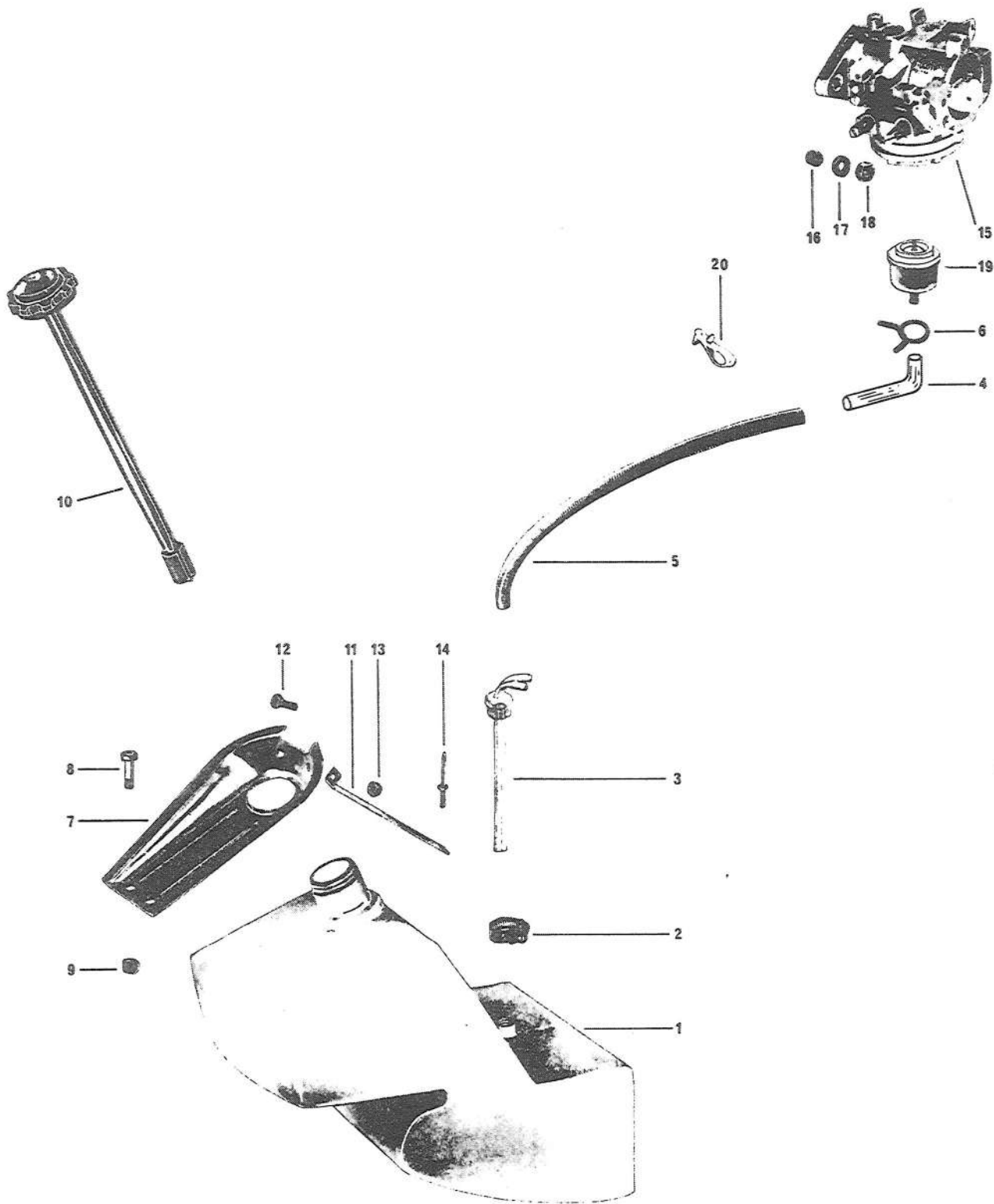
FUEL (OLYMPIC)



FUEL (OLYMPIC)

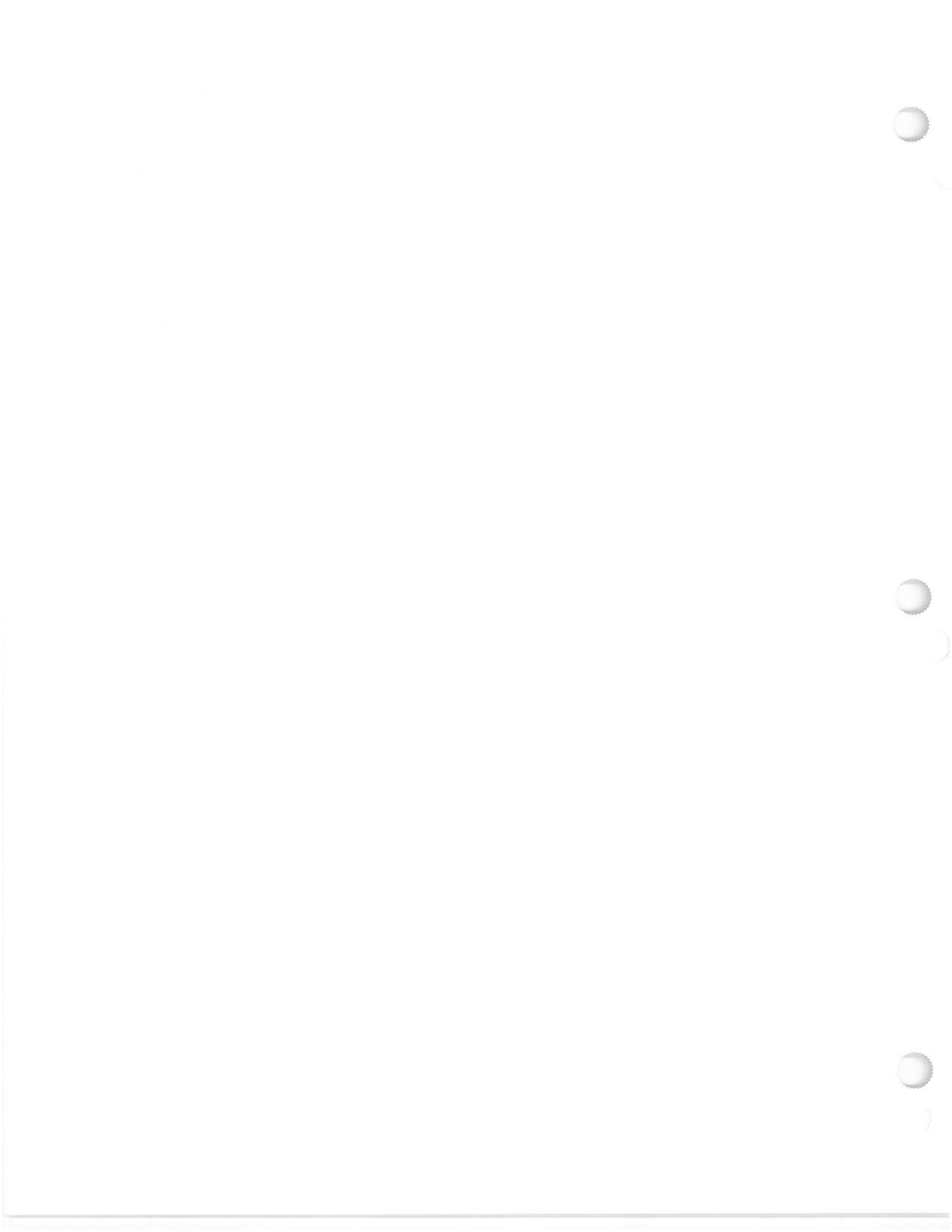
ITEM NO.	PART NO.	DESCRIPTION	QUANTITY							
			12/3	335	335E	399	TNT 292	TNT 340	TNT 292S	TNT 340S
1	513 0064	Fuel Line Adaptor	1	1	1	1	1	1	1	1
2	414 0130	Fuel Line Mult 12"	AR	AR	AR	AR	AR	AR	AR	AR
3	414 0178	Isolating Line Mult 12"	AR	AR	AR	AR	AR	AR	AR	AR
4	414 0128	Hose Clamp	4	4	4	4	4	4	4	4
5	580 1051	Fuel Tank Cap Ass'y	1	1	1	1	1	1	1	1
6	414 0290	Fuel Tank Cap	1	1	1	1	1	1	1	1
7	414 0249	Fuel Tank Gauge	1	1	1	1	1	1	1	1
8	414 0293	Gasket	1	1	1	1	1	1	1	1
9	513 0047	Spring	1	1	1	1	1	1	1	1
10	570 1302	Filler Pipe Extension	1	1	1	1	1	1	1	1
11	414 0416	Filler Neck	1	1	1	1	1	1	1	1
12	408 8002	Clamp	2	2	2	2	2	2	2	2
13	403 0016	Carburator	1							
13	403 0018	Carburator		1	1					
13	403 0012	Carburator				1				
13	403 0015	Carburator					1	1	1	1
14	404 0157	Isolating Sleeve	2	2	2	2	2	2	2	2
15	402 2072	Isolating Washer	2	2	2	2	2	2	2	2
16	402 0018	Nut	2	2	2	2	2	2	2	2
17	414 0112	Fuel Filter	1	1	1	1	1	1	1	1

FUEL (NORDIC)



FUEL (NORDIC)

ITEM NO.	PART NO.	DESCRIPTION	QUANTITY						
			399	399E	640E	TNT 399	TNT 640	TNT 399S	TNT 640S
1	414 0135	Fuel Tank	1	1	1	1	1	1	1
2	408 8004	Gear Clamp	1	1	1	1	1	1	1
3	513 0067	Fuel Line Adapter	1	1	1	1	1	1	1
4	414 0130	Fuel Line Mult 12"	AR	AR	AR	AR	AR	AR	AR
5	414 0178	Isolating Line Mult.12"	AR	AR	AR	AR	AR	AR	AR
6	414 0128	Hose Clamp.....	4	4	4	4	4	4	4
7	517 0124	Filler Neck Bib	1	1	1	1	1	1	1
8	300 5001	Screw	2	2	2	2	2	2	2
9	386 9003	Nut	2	2	2	2	2	2	2
10	414 0209	Fuel Tank Cap (gauge).....	1	1	1	1	1	1	1
11	513 0073	Retaining Strip	2	2	2	2	2	2	2
12	350 0007	Screw	2	2	2	2	2	2	2
13	386 6013	Nut	2	2	2	2	2	2	2
14	390 4021	Pop Rivet	2	2	2	2	2	2	2
15	403 0017	Carburator	1	1					
15	403 0013	Carburator			1		1		1
15	403 0014	Carburator				1		1	
16	404 0157	Insulator Sleeve	2	2	2	2	2	2	2
17	402 2072	Isolating Washer	2	2	2	2	2	2	2
18	402 0018	Nut	2	2	2	2	2	2	2
19	414 0112	Fuel Filter	1	1	1	1	1	1	1
20	114 0043	Hose Tie	1	1	1	1	1	1	1



FUEL

ITEM NO.	PART NO.	DESCRIPTION	QUANTITY
			TNT775
1	414 0135	Fuel Tank	1
2	408 8004	Gear Clamp	1
3	513 0067	Fuel Line Adapter	1
4	414 0130	Fuel Line Mult. 12"	AR
5	414 0178	Isolating Line Mult. 12"	AR
6	414 0128	Hose Clamp	4
7	517 0124	Filler Neck Bib	1
8	300 5001	Screw	2
9	386 9003	Nut	2
10	414 0209	Fuel Tank Cap (Gauge)	1
11	513 0073	Retaining Strip	2
12	350 0007	Screw	2
13	386 6013	Nut	2
14	390 4021	Pop Rivet	2
15	403 0013	Carburator	2
16	404 0157	Insulator Sleeve	4
17	402 2072	Isolating Washer	4
18	402 0018	Nut	4
19	404 0051	Fuel Strainer Cover	2
	402 0052	Retaining Screw	2
20	114 0043	Hose Tie	1



TNT 775s

1970

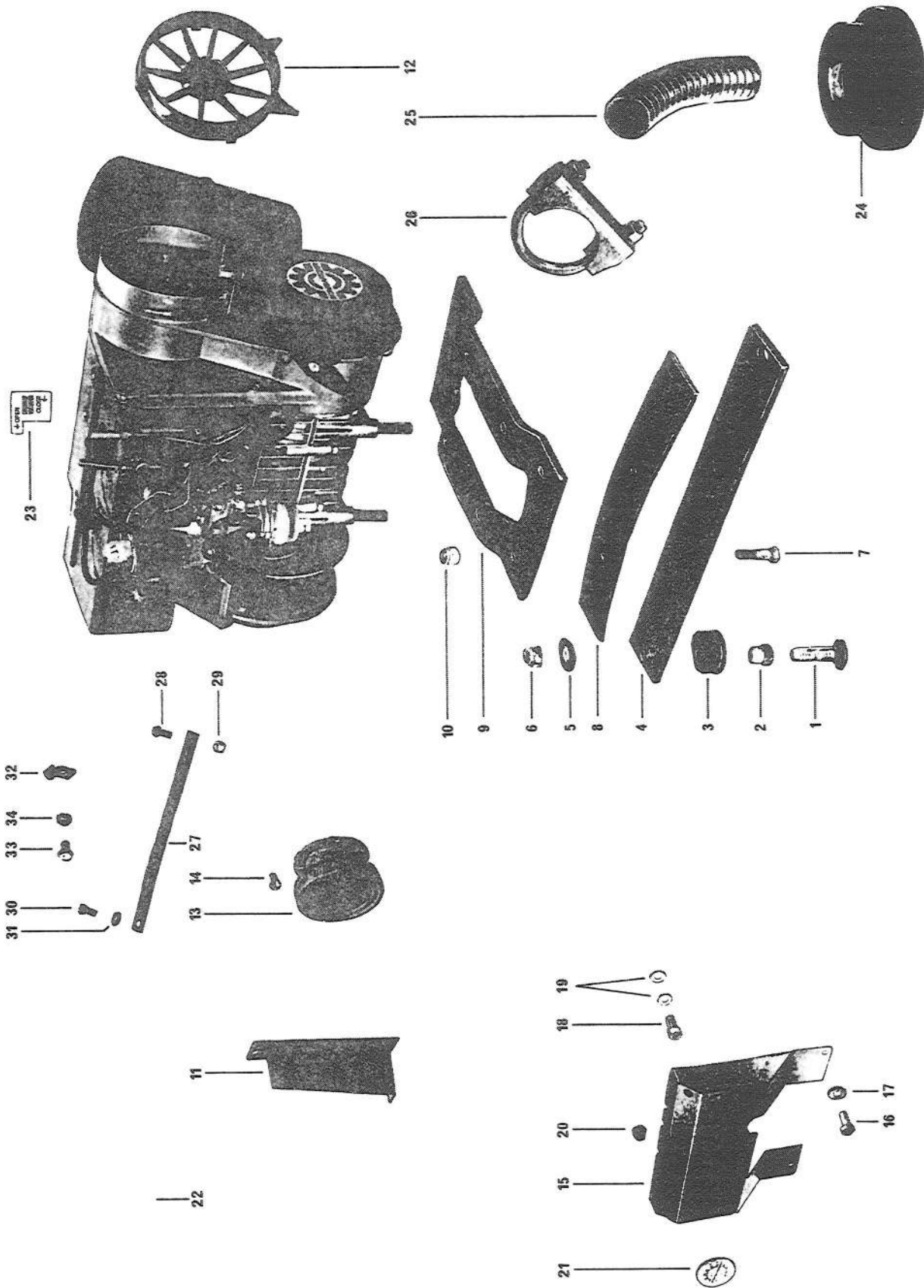
**FOR OTHER PARTS WHICH ARE NOT SHOWN IN THIS
SECTION (list) PLEASE REFER TO TNT 640s.**



ENGINE PARTS



ENGINE (ALPINE)



ENGINE (ALPINE)

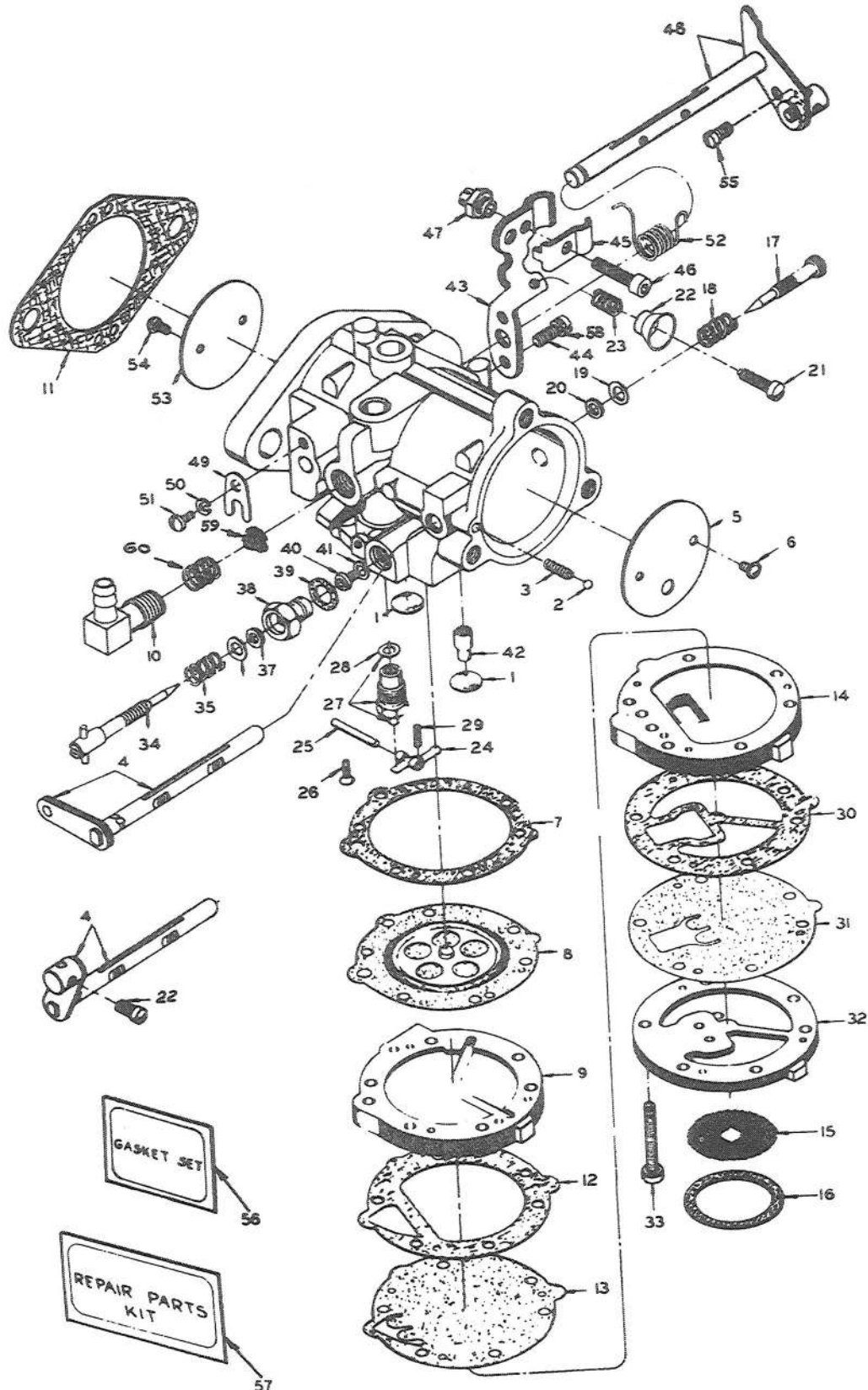
ITEM NO.	PART NO.	DESCRIPTION	QUANTITY		
			399	399E	640E
1	360 8010	Carriage Bolt	4	4	4
2	572 0011	Threaded Bushing	4	4	4
3	570 1202	Insulator Rubber	4	4	4
4	512 0069	Engine Support	2	2	
4	512 0056	Engine Support			2
5	399 9006	Flat Washer	4	4	4
6	289 8036	Nut	4	4	4
7	309 8025	Bolt W/Knurling	4	4	6
8	512 0070	Engine Leaf Spring	2	2	
8	512 0057	Engine Leaf Spring			2
9	512 0068	Engine Bracket	1	1	
9	512 0083	Engine Plate Support			1
10	389 8037	Nut	4	4	6
11	512 0085	Engine Protector	1	1	
11	512 0086	Engine Protector			1
12	402 0181	Plastic Cover	1	1	
12	402 0187	Plastic Cover			1
13	414 0465	Air Intake Silencer	1	1	
13	414 0397	Air Intake Silencer			1
14	337 7100	Screw	3	3	3
15	512 0059	Engine Console	1	1	
15	512 0051	Engine Console			1
16	300 5000	Hex Cap Screw	2	2	2
17	399 9015	Flat Washer	2	2	2
18	303 9001	Screw	2	2	2
19	399 8007	Lock Washer	4	4	4
20	570 1503	Grommet	2	2	3
21	414 0411	Crest	1	1	1
22	414 0510	Sticker	1	1	1
23	414 0504	Ventilation Label			1
24	570 1404	Exhaust Grommet	1	1	1
25	514 0035	Exhaust Pipe	1	1	
25	514 0036	Exhaust Pipe			1
26	414 0222	Clamp	1	1	4
27	512 0063	Muffler Bracket	1	1	1
28	300 0041	Screw	1	1	1
29	389 8037	Nut	1	1	1
30	300 4041	Screw	1	1	1
31	392 0022	Lock Washer	1	1	1
	400 3104	Engine	1	1	
	400 7005	Engine			1
32	513 0053	Clip	1	2	2
33	371 7100	Screw	1	1	1
34	387 5019	Nut	1	1	1

FUEL (ALPINE)

FUEL (ALPINE)

ITEM NO.	PART NO.	DESCRIPTION	QUANTITY		
			399	399E	640E
1	513 0027	Retaining Strip	4	4	4
2	390 4004	Pop Rivet	4	4	4
3	414 0355	Fuel Tank.....	1	1	1
4	414 0247	Protector Strip (mult 12'')	AR	AR	AR
5	320 1067	Mach Screw.....	2	2	2
6	387 3013	Nut	2	2	2
7	414 0106	Fuel Filter	1	1	1
8	513 0035	Fuel Line Adaptor	1	1	1
9	414 0130	Fuel Line (mult 12'')	AR	AR	AR
10	414 0130	Fuel Line (mult 12'')	AR	AR	AR
11	513 0013	Fuel Line Adaptor	1	1	1
12	570 1303	Filler Pipe	1	1	1
13	408 8002	Clamp	2	2	2
14	414 0416	Filler Neck.....	1	1	1
15	414 0128	Hose Clamp	2	2	2
16	580 3028	Fuel Tank Cap Ass'y.	1	1	1
16	414 0290	Fuel Tank Cap.....	1	1	1
17	414 0293	Gasket.....	1	1	1
18	513 0047	Spring	1	1	1
19	300 5080	Cap Screw	1	1	1
20	403 0012	Carburetor	1	1	
20	403 0013	Carburetor			1
21	404 0157	Insulator Sleeve	2	2	2
22	402 2072	Isolating Washer	2	2	2
23	402 0018	Nut.....	2	2	2
24	414 0112	Fuel Filter	1	1	1
25	414 0178	Isolating Line (Mult 12'')	AR	AR	AR

CARBURETOR

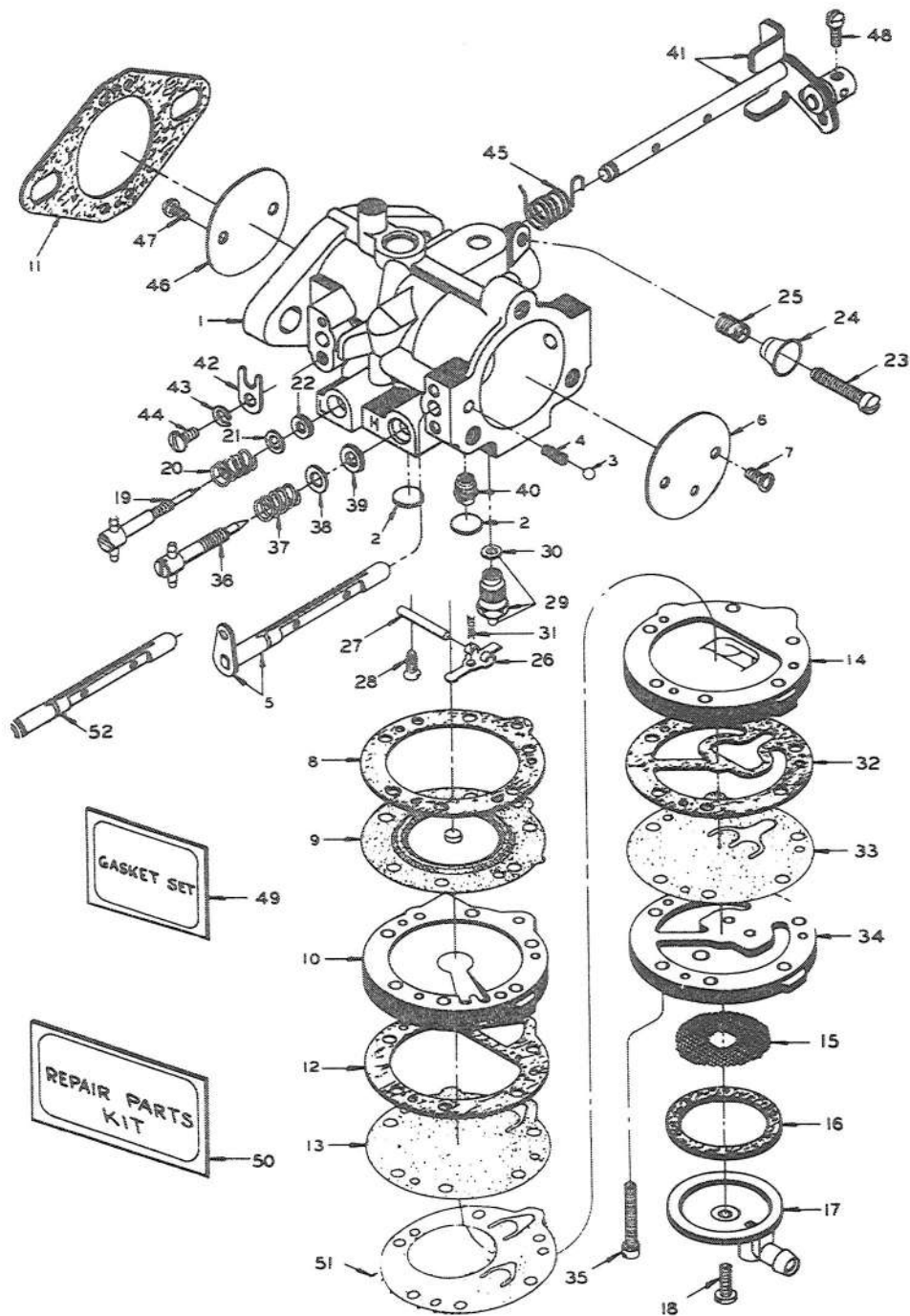


CARBURETOR

ITEM NO.	PART NO.	DESCRIPTION	QUANTITY		
			A	B	C
1	404 0011	*Body Channel Welch Plug	2	2	2
2	404 0013	Choke Friction Ball	1	1	1
3	404 0014	Choke Friction Spring	1	1	1
4	404 0246	Choke Shaft & Lever	1		
4	404 0210	Choke Shaft & Lever		1	1
5	404 0180	Choke Shutter	1	1	1
6	404 0028	Choke Shutter Screw	2	2	2
7	404 0031	Diaphragm Gasket	1	1	1
8	404 0033	*Diaphragm	1	1	1
9	404 0165	Diaphragm Cover	1	1	1
10	404 0247	Elbow Connector	1	1	1
11	404 0212	Flange Gasket	1	1	1
12	404 0166	Fuel Pump Gasket	1	1	1
13	404 0167	*Fuel Pump Diaphragm	1	1	1
14	404 0168	Fuel Pump Body	1	1	1
15	404 0181	*Fuel Strainer Screen	1	1	1
16	404 0050	Fuel Strainer Cover Gasket	1	1	1
17	404 0054	*Idle Mixture Screw	1	1	1
18	404 0068	*Idle Mixture Screw Spring	1	1	1
19	404 0058	Idle Mixture Screw Washer	1	1	1
20	404 0063	Idle Mixture Screw Packing	1	1	1
21	404 0248	*Idle Speed Screw Ass'y	1	1	1
22	404 0220	Choke Wire Ret. Screw	1		
23	404 0067	*Idle Speed Screw Spring	1	1	1
24	404 0069	*Inlet Control Lever	1	1	1
25	404 0072	*Inlet Control Lever Pin	1	1	1
26	404 0073	*Inlet Control Lever Pin Ret. Screw	1	1	1
27	404 0229	*Inlet Needle Seat & Gasket	1	1	1
28	404 0080	Inlet Seat Gasket	1	1	1
29	404 0081	*Inlet Tension Spring	1	1	1
30	404 0170	Inlet Valve Gasket	1	1	1
31	404 0171	*Inlet Valve Diaphragm	1	1	1
32	404 0213	Inlet Valve Body & Strainer	1	1	1
33	404 0173	Inlet Valve Body Screw & Lockwasher	6	6	6
34	404 0055	*High Speed Mixture Screw	1	1	1
35	404 0147	High Speed Mixture Screw Gland	1	1	1
36	404 0144	High Speed Mixture Screw Gland Gasket	1	1	1
37	404 0063	High Speed Mixture Screw Packing	1	1	1
38	404 0068	*High Speed Mixture Screw Spring	1	1	1
39	404 0058	High Speed Mixture Screw Washer	1	1	1
40	404 0223	*Main Fuel Jet	1	1	
40	404 0249	*Main Fuel Jet			1
41	404 0174	Main Fuel Jet Gasket	1	1	1
42	404 0089	Nozzle Check Valve	1	1	1
43	404 0250	Throttle Cable Bracket	1		1
43	404 0224	Idle Speed Screw Bracket		1	
44	404 0251	Throttle Cable Bracket Ret. Screw	2		2
44	404 0048	Idle Speed Screw Bracket Ret. Screw		2	
45	404 0215	Throttle Cable Clamp	1		1
46	404 0216	Throttle Clamp Ret. Screw	1		1
47	404 0217	Throttle Cable Ret. Nut	1	1	1
48	404 0252	Throttle Shaft & Lever	1	1	1
49	404 0104	Throttle Shaft Clip	1	1	1
50	404 0105	Throttle Shaft Clip Lockwasher	1	1	1
51	404 0106	Throttle Shaft Clip Ret. Screw	1	1	1
52	404 0219	*Throttle Shaft Return Spring	1	1	1
53	404 0116	Throttle Shutter	1	1	1
54	404 0028	*Throttle Shutter Screw	2	2	2
55	404 0220	*Throttle Wire Ret. Screw	1	1	1
56	404 0221	*Gasket Set	1	1	1
57	404 0222	Repair Parts Kit	1		
57	404 0226	Repair Parts Kit		1	
57	404 0228	Repair Parts Kit			1
58	404 0105	Throttle Cable Bracket Lockwasher	2		2
59	404 0235	*Inlet Screen	1	1	1
60	404 0236	*Inlet Screen Ret. Spring	1	1	1
A	403 0013	For Nordic 640E - TNT 640 - TNT 640S - Alpine 640ER			
B	403 0014	For TNT 399 - TNT 399S			
C	403 0015	For TNT 292 - TNT 292S - TNT 340 - TNT 340S			

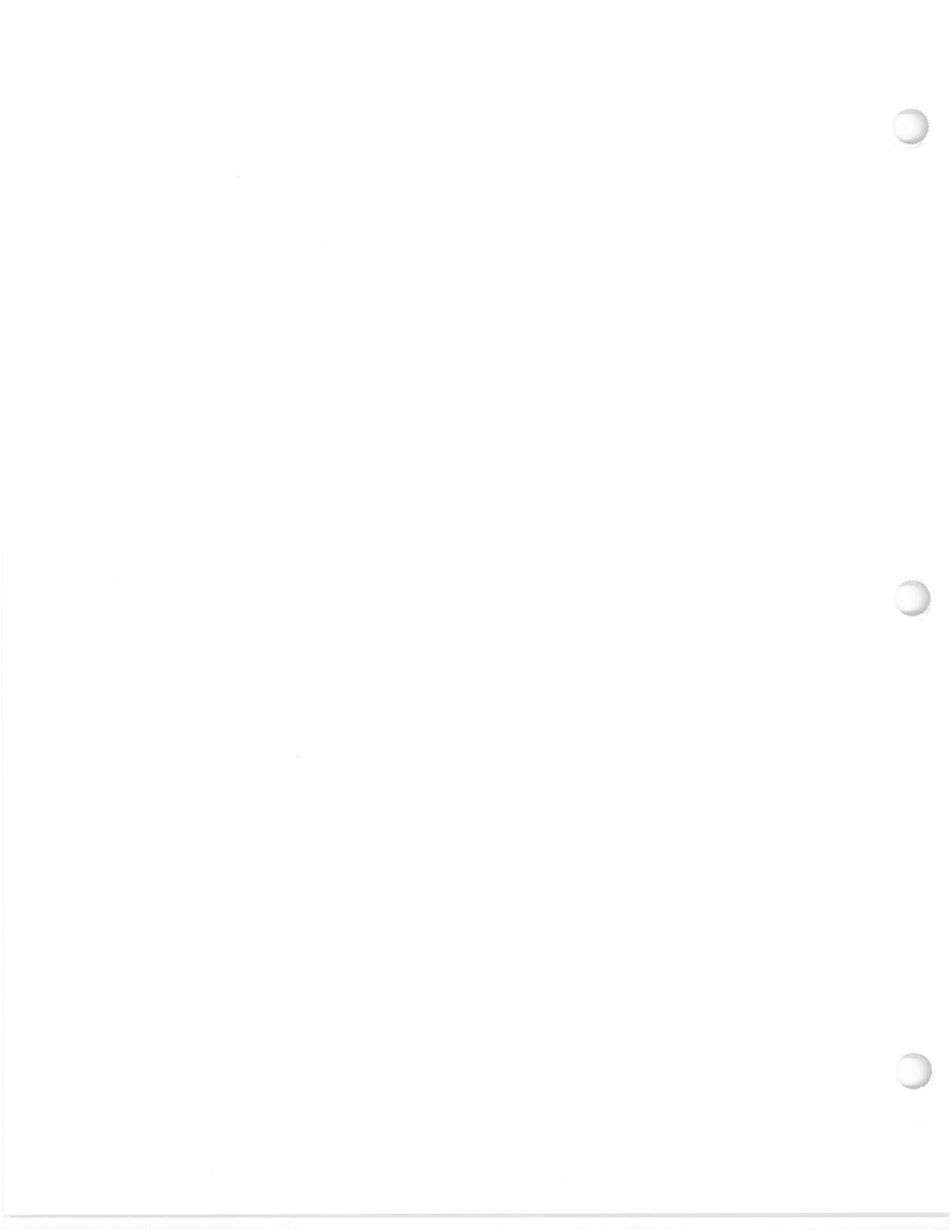
*Indicates contents of Repair Parts Kit.

CARBURETOR



CARBURETOR

ITEM NO.	PART NO.	DESCRIPTION	QUANTITY			
			A	B	C	D
1	404 0233	Body (service)	1			
1	404 0205	Body (service)		1		
1	404 0231	Body (service)			1	
1	404 0237	Body (service)				1
2	404 0010	*Body Channel Welch Plug	2	2	2	2
3	404 0013	Choke Friction Ball	1	1	1	1
4	404 0014	Choke Friction Spring	1	1	1	1
5	404 0186	Choke Shaft & Lever	1	1		
5	404 0020	Choke Shaft & Lever			1	
6	404 0187	Choke Shutter	1	1		1
6	404 0026	Choke Shutter			1	
7	404 0028	Choke Shutter Screw & Lock Washer	2	2	2	2
8	404 0030	Diaphragm Gasket	1	1	1	1
9	404 0032	*Diaphragm	1	1	1	1
10	404 0188	Diaphragm Cover	1	1		1
10	404 0036	Diaphragm Cover			1	
11	404 0039	Flange Gasket	3	3	3	3
12	404 0191	Fuel Pump Gasket	1	1		1
12	404 0041	Fuel Pump Gasket			1	
13	404 0190	*Fuel Pump Diaphragm	1	1		1
13	404 0043	*Fuel Pump Diaphragm (pulse)			1	
14	404 0189	Fuel Pump Body	1	1		1
14	404 0046	Fuel Pump Body			1	
15	404 0181	*Fuel Strainer Screen	1	1	1	1
16	404 0050	Fuel Strainer Cover Gasket	1	1	1	1
17	404 0182	Fuel Strainer Cover		1	1	
18	404 0052	*Fuel Strainer Cover Ret. Screw		1	1	
19	404 0192	*Idle Mixture Screw	1	1		1
19	404 0061	*Idle Mixture Screw			1	
20	404 0056	*Idle Mixture Screw Spring	1	1	1	1
21	404 0057	Idle Mixture Screw Washer	1	1	1	1
22	404 0059	Idle Mixture Screw Packing	1	1	1	1
23	404 0066	*Idle Speed Screw	1	1	1	1
24	404 0158	Idle Speed Screw Cup	1	1	1	1
25	404 0067	*Idle Speed Screw Spring	1	1	1	1
26	404 0069	*Inlet Control Lever	1	1	1	1
27	404 0072	Inlet Control Lever Fulcrum Pin	1	1	1	1
28	404 0073	*Fulcrum Pin Ret. Screw	1	1	1	1
29	404 0159	*Inlet Needle, Seat & Gasket	1	1	1	1
30	404 0079	Inlet Seat Gasket	1	1	1	1
31	404 0081	*Inlet Tension Spring	1	1	1	1
32	404 0196	Inlet Valve Gasket	1	1	1	1
33	404 0195	*Inlet Valve Diaphragm	1	1	1	1
34	404 0193	Inlet Valve Body	1	1	1	1
35	404 0194	Inlet Valve Body Ret. Screw	6	6		6
35	404 0047	Fuel Pump Body Screw & Lockwasher			6	
36	404 0202	*High Speed Mixture Screw	1	1		1
36	404 0062	*High Speed Mixture Screw			1	
37	404 0068	*High Speed Mixture Screw Spring	1	1	1	1
38	404 0058	High Speed Mixture Screw Washer	1	1	1	1
39	404 0063	High Speed Mixture Screw Packing	1	1	1	1
40	404 0088	*Nozzle Check Valve	1	1	1	1
41	404 0232	Throttle Shaft & Lever	1	1	1	1
42	404 0102	Throttle Shaft Clip	1	1	1	1
43	404 0105	Throttle Shaft Clip Lockwasher	1	1	1	1
44	404 0106	Throttle Shaft Clip Ret. Screw	1	1	1	1
45	404 0111	*Throttle Shaft Return Spring	1	1	1	1
46	404 0198	Throttle Shutter	1	1		1
46	404 0117	Throttle Shutter			1	
47	404 0028	*Throttle Shutter Screw & Lockwasher	2	2	2	2
48	404 0220	*Throttle Wire Ret. Screw	1	1	1	1
49	404 0199	*Gasket & Packing Set		1		
49	404 0203	*Gasket & Packing Set	1			1
49	404 0177	*Gasket & Packing Set			1	
50	404 0234	Repair Parts Kit	1			1
50	404 0206	Repair Parts Kit		1		
50	404 0162	Repair Parts Kit			1	
51	404 0044	*Fuel Pump Diaphragm (valve)			1	
52	404 0238	Choke Shaft				1
A	403 0018	Olympic 335 - 335E				
B	403 0012	Olympic 399 - Alpine 399 - 399E				
C	403 0016	Olympic 12/3				
D	403 0017	Norbic 399-399E				
		* Indicates contents of Repair parts kit.				



ROTAX ENGINE

1970

399^① FOR TNT 399 – 399S

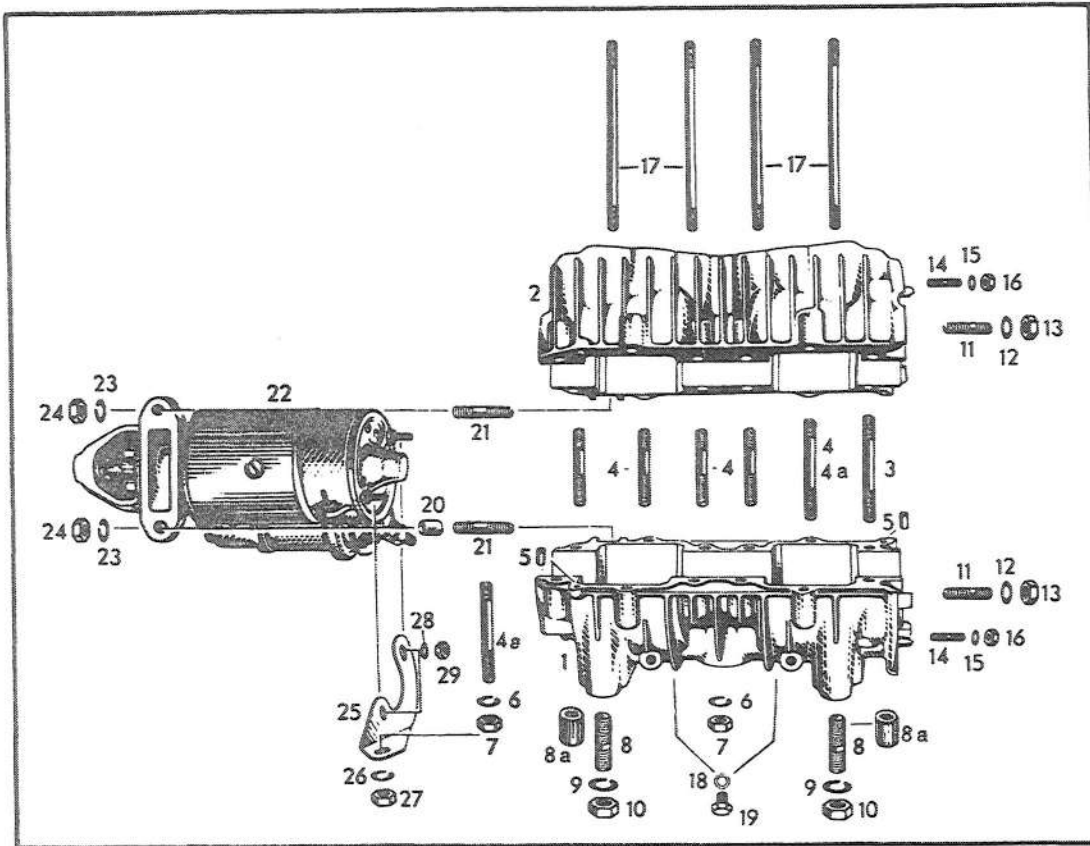
399^② FOR NORDIC 399 – 399E

OLYMPIC 399 ALPINE 399R – 399ER

640^③ FOR NORDIC 640 ALPINE 640ER

640^④ FOR TNT 640 – 640S

CRANKCASE, ELECTRIC STARTER



ITEM NO.	PART NO.	DESCRIPTION	QUANTITY			
			399 ^①	399 ^②	640 ^③	640 ^④
1-2-3-4-5	402 0165	Crankcase Ass'y	1	1		
1-2-3-4-4A-5	402 0167	Crankcase Ass'y			1	
1-2-3-4-5-	402 0289	Crankcase Ass'y				1
3	402 0007	Stud M8 x 56	2	2	2	2
4	402 0123	Stud M8 x 37	7	7	9	12
4A	402 0009	Stud M8 x 46	1	1	1	
5	402 0161	Dowel Pin 5 ϕ x 10	2	2	2	2
6	402 0016	Lock Washer 8	10	10	12	14
7	402 0018	Hex. Nut M8	10	10	12	14
8	402 0153	Stud M10 x 18, Engine Base Nordic	4	4		
8	402 0023	Stud M10 x 42, Engine Base Alpine		4		
8	402 0178	Stud M12 x 26, Engine Base Nordic			4	4
8	402 0113	Stud M12 x 42.5, Engine Base Alpine			4	
8A	402 0091	Distance Sleeve 22mm, Engine Base Alpine		4		
8A	402 0177	Distance Sleeve 6mm, Engine Base Nordic			4	4
8A	402 0173	Distance Sleeve 22mm, Engine Base Alpine			4	
9	402 0025	Lock Washer 10	4	4		
9	402 1038	Lock Washer 12			4	4
10	402 0026	Hex. Nut M10	4	4		
10	402 0117	Hex. Nut M12			4	4

BOMBARDIER LTD./LTEE

CRANKCASE, ELECTRIC STARTER

ITEM NO.	PART NO.	DESCRIPTION	QUANTITY			
			399 ^①	399 ^②	640 ^③	640 ^④
11	402 0115	Stud M8 x 16, Fan Housing	4	4		
11	402 0115	Stud M8 x 16, Fan Housing			4	4
12	402 1158	Locking Washer 8	4	4	4	4
13	402 0134	Hex. Nut M8	4	4	4	4
14	402 4117	Stud M5 x 11.5, Armature Plate	2	2	2	2
15	402 4133	Washer 5.3	2	2	2	2
16	402 0105	Hex. Stop Nut M5	2	2	2	2
17	402 2160	Stud M8, Cylinder	8	8		
17	402 0076	Stud, M8, Cylinder			8	8
18	402 0019	Sealing Ring			2	2
19	402 0020	Oil Drain Screw M8 x 9			2	2
20	402 7059	Dowel Tube 10 ϕ x 13, Electric Starter		1	1	
21	402 2002	Stud M8 x 25, Electric Starter		2	2	
22	402 7060	Electric Starter Ass'y		1	1	
23	402 0016	Lock Washer 8		2	2	
24	402 0018	Hex. Nut M8		2	2	
25	402 7072	Starter Bracket		1		
25	402 7070	Starter Bracket			1	
26	402 0016	Lock Washer 8		1	1	
27	402 0018	Hex. Nut M8		1	1	
28	402 4022	Washer 5.3/11 x 1		2	2	
29	402 0105	Lock Nut M5		2	2	

399^① For TNT 399

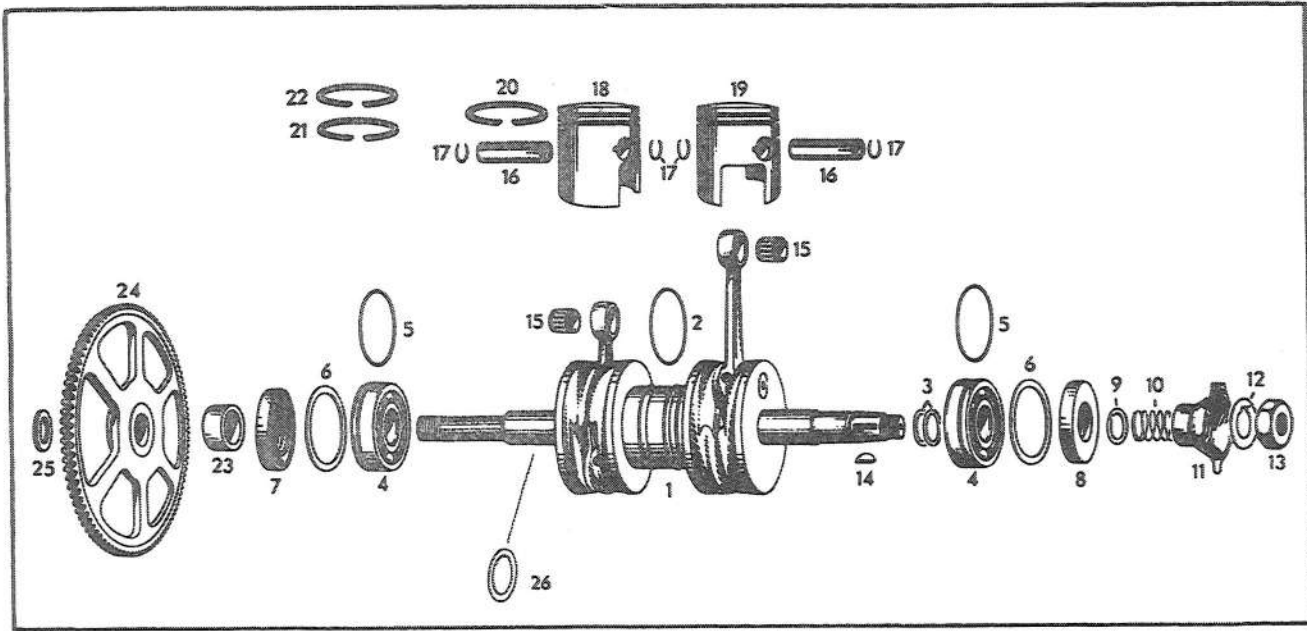
399^② For Nordic 399-399E

Olympic 399 - Alpine 399R-399ER

640^③ For Nordic 640E

640^④ For TNT 640

CRANKSHAFT, PISTONS, STARTER GEAR



ITEM NO.	PART NO.	DESCRIPTION	QUANTITY			
			399 ^①	399 ^②	640 ^③	640 ^④
1-2	402 1150	Crankshaft Ass'y	1	1		
1-2	402 1197	Crankshaft Ass'y			1	
1-2	402 1206	Crankshaft Ass'y				1
2	402 1137	O-Ring	3	3		
2	402 1119	O-Ring			3	3
3	402 1023	Shim 0.2mm	AR	AR		
3	402 1024	Shim 0.3mm	AR	AR		
3	402 1025	Shim 0.5mm	AR	AR		
3	402 1026	Shim 1.0mm	AR	AR		
3	402 1126	Shim 0.1mm	AR	AR		
3	402 1112	Shim 1mm			AR	AR
3	402 1113	Shim 0.15mm			AR	AR
3	402 1114	Shim 0.3mm			AR	AR
3	402 1115	Shim 0.2mm			AR	AR
4	402 1142	Ball Bearing	2	2		
4	402 1139	Ball Bearing			2	2
5	402 1137	O-Ring	2	2		
5	402 1119	O-Ring			2	2
6	402 1135	Retaining Washer	2	2		
6	402 1108	Retaining Disk			2	2
7	402 1138	Oil Seal	1	1		
8	402 1136	Oil Seal	1	1		
7-8	402 1101	Oil Seal			2	2
9	402 1035	Washer, Cam Spring	1	1		
9	402 1026	Washer, Cam Spring			1	1
10	402 1036	Spring, Breaker Cam	1	1	1	1
11	402 1156	Breaker Cam	1	1	1	1

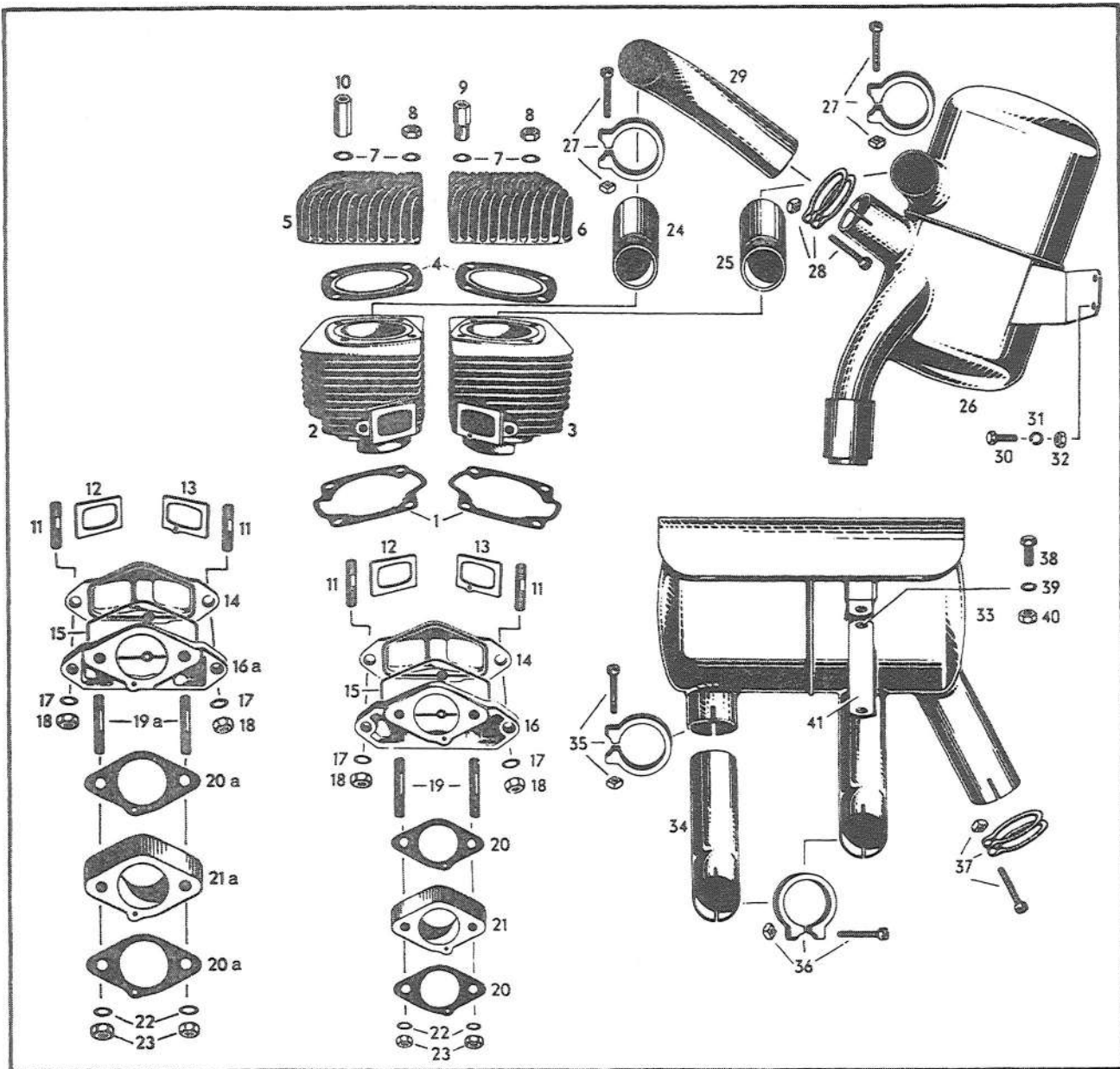
BOMBARDIER LTD./LTEE

CRANKSHAFT, PISTONS, STARTER GEAR

ITEM NO.	PART NO.	DESCRIPTION	QUANTITY			
			399 ^①	399 ^②	640 ^③	640 ^④
12	402 1040	Lock Washer	1	1	1	1
13	402 1043	Hex. Nut M18 x 1.5	1	1	1	1
14	402 1010	Woodruff Key 5 x 6.5	1	1	1	1
15	402 1033	Needle Cage	2	2	2	2
16	402 1063	Gudgeon Pin	2	2		
16	402 1064	Gudgeon Pin			2	2
17	402 1067	Circlip, Gudgeon Pin	4	4	4	4
18-20	402 1151	Piston Ass'y With Rings				
		76.0 ϕ Std. P.T.O. Side			1	
18-20	402 1152	Piston Ass'y With Rings				
		76.5 ϕ , 1st Oversize P.T.O. Side			1	
18-20-21	402 1202	Piston Ass'y with Rings 76.0 ϕ Std, P.T.O. Side				1
18-20-21	402 1203	Piston Ass'y with Rings 76.5 ϕ 1st Oversize. P.T.O. Side				1
18, 21, 22	402 1174	Piston Ass'y With Ring 64.5 ϕ Std P.T.O. Side	1			
	402 1180	Piston Ass'y With Ring 65.0 ϕ 1Std Oversize P.T.O. Side	1			
18-20	402 1198	Piston Ass'y With Rings 64.5 ϕ Std. P.T.O. Side		1		
18-20	402 1199	Piston Ass'y With Rings 65.0 ϕ Oversize P.T.O. Side		1		
19-20	402 1153	Piston Ass'y With Rings 76.0 ϕ Std. Mag. Side			1	
19-20	402 1154	Piston Ass'y With Rings 76.5 ϕ 1st O/S Mag. Side			1	
19-20	402 1200	Piston Ass'y With Rings 64.5 ϕ Std. Magneto Side		1		
19-20	402 1201	Piston Ass'y With Rings 65.0 ϕ 1st Oversize Magneto Side		1		
19-20	402 1204	Piston Ass'y With Rings 76.0 ϕ Std. Magneto Side				1
19-20-21	402 1205	Piston Ass'y With Rings 76.5 ϕ 1st Oversize, Magneto Side				1
19-21-22	402 1175	Piston Ass'y With Rings 64.5 ϕ Std Magneto Side	1			
	402 1181	Piston Ass'y With Rings 65.0 ϕ 1st Oversize, Magneto Side	1			
20-21	402 1186	Rectangular Ring 64.5 ϕ Std.	2	4		
20-21	402 1187	Rectangular Ring 65.0 ϕ 1st Oversize	2	4		
20	402 1132	Rectangular Ring 76.0 ϕ Std.			2	
20	402 1133	Rectangular Ring 76.5 ϕ 1st. Oversize			2	
20	402 1194	Rectangular Ring 76.0 ϕ Std.				2
20	402 1195	Rectangular Ring 76.5 ϕ 1st. Oversize				2
22	402 1176	L-Ring 64.5 ϕ Std.	2			
22	402 1177	L-Ring 65.0 ϕ 1st Oversize	2			
22	402 1192	L-Ring 76.0 ϕ Std.				2
22	402 1193	L-Ring 76.5 ϕ 1st. Oversize				2
23	402 1120	Distance Sleeve 21mm. Engine Without electric Starter Only	1	1		
23	402 1196	Distance Sleeve 24mm, Engine Without electric Starter Only			1	
23	402 1143	Distance Sleeve 14.5mm		1		
23	402 1110	Ball Bearing				1
24	402 5049	Starter Gear 77t		1		
24	402 7075	Starter Gear 86t			1	
25	402 1123	Washer, Crankshaft P.T.O. Side	1	1		
26	402 1114	Shim 0.3MM				AR

BOMBARDIER LTD./LTEE

CYLINDERS, INTAKE MANIFOLD, MUFFLER



ITEM NO.	PART NO.	DESCRIPTION	QUANTITY	
			399 [ⓐ]	399 [ⓑ]
1	402 2132	Gasket, Cylinder Flange	2	2
2	402 2180	Cylinder, P.T.O. Side	1	1
3	402 2181	Cylinder, Magneto Side	1	1
4	402 2133	Gasket, Cylinder Head	2	2
5	402 2155	Cylinder Head, P.T.O. Side	1	
5	402 2210	Cylinder Head, P.T.O. Side		1
6	402 2156	Cylinder Head, Magneto Side	1	
6	402 2211	Cylinder Head, Magneto Side		1
7	402 0031	Washer, Cylinder Head	8	8

BOMBARDIER LTD./LTEE

CYLINDERS, INTAKE MANIFOLD, MUFFLER

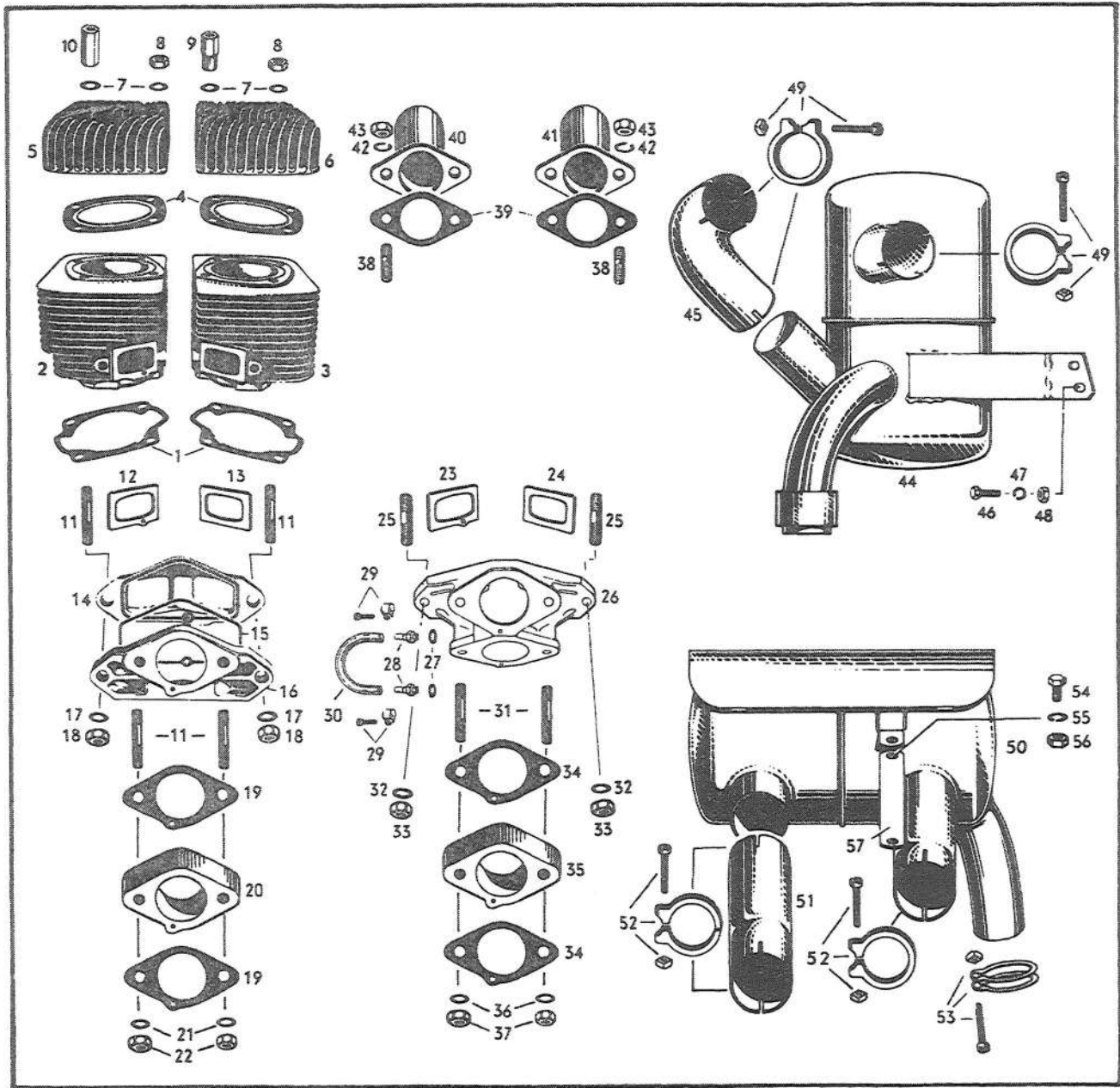
ITEM NO.	PART NO.	DESCRIPTION	QUANTITY	
			399 ^①	399 ^②
8	402 0018	Hex Nut M8	4	4
9	402 2143	Distance Nut M8/5/16"	3	3
10	402 2144	Distance Nut M8/1/8-27 NPT	1	1
11	402 2141	Stud M8 x 34	2	2
12	402 2134	Intake Gasket, P.T.O. Side Cylinder	1	1
13	402 2135	Intake Gasket, Magneto Side Cylinder	1	1
14	402 2148	Intake Manifold	1	1
15	402 2136	Ring Gasket	1	1
16	402 2149	Intake Cover		1
16A	402 2182	Intake Cover	1	
17	402 0031	Washer 2mm	2	2
18	402 2106	Lock Nut M8	2	2
19	402 0123	Stud M8 x 37, Carburetor		2
19A	402 2159	Stud M8 x 41, Carburetor	2	
20	404 0039	Tillotson Carburetor Flange Gasket		2
20A	404 0212	Tillotson Carburetor Flange Gasket	2	
21	402 2170	Isolating Flange, 18, 5mm Thick		1
21A	402 2171	Isolating Flange, 20mm Thick	1	
22	402 2072	Isolating Washer	2	2
23	402 0018	Hex. Nut M8	2	2
24	402 2163	Exhaust Socket 90mm, P.T.O. Side	1	1
25	402 2164	Exhaust Socket 107mm, Magneto Side	1	1
26	402 2199	Muffler Ass'y (Nordic)	1	1
26	402 2201	Muffler Ass'y (Olympique)		1
27	402 2166	Muffler Clamp 40 ϕ	2	2
28	402 2167	Muffler Clamp 42 ϕ	1	1
29	414 0349	Inlet Elbow	1	1
30	402 4127	Hex. Screw M6 x 20	2	2
31	402 0015	Lock Washer 6	2	2
32	402 2053	Hex. Nut M6	2	2
33	402 2216	Muffler Ass'y (Alpine)		1
34	402 2217	Inlet Tube (Alpine)		1
35	402 2167	Clamp Ass'y 42 ϕ	1	1
36	402 2166	Clamp Ass'y 40 ϕ	2	2
37	414 0222	Clamp Ass'y 48 ϕ (Alpine)		1
38	402 2190	Hex. Screw M8 x 16	1	1
39	402 0016	Lock Washer 8	1	1
40	402 0018	Hex. Nut M8	1	1
41	512 0092	Muffler Bracket	1	1

399^① For TNT 399

399^② For Nordic 399-399E

Olympic 399 - Alpine 399R-399ER

CYLINDERS, INTAKE MANIFOLD, MUFFLER



ITEM NO:	PART NO.	DESCRIPTION	QUANTITY	
			640 [®]	640 [®]
1	402 2137	Gasket, Cylinder Flange	2	2
2	402 2127	Cylinder, P.T.O. Side	1	
2	402 2202	Cylinder, P.T.O. Side		1
3	402 2128	Cylinder, Magneto Side	1	
3	402 2203	Cylinder, Magneto Side		1
4	402 2101	Gasket, Cylinder Head	2	2
5	402 2129	Cylinder Head, P.T.O. Side	1	
5	402 2204	Cylinder Head, P.T.O. Side		1
6	402 2130	Cylinder Head, Magneto Side	1	

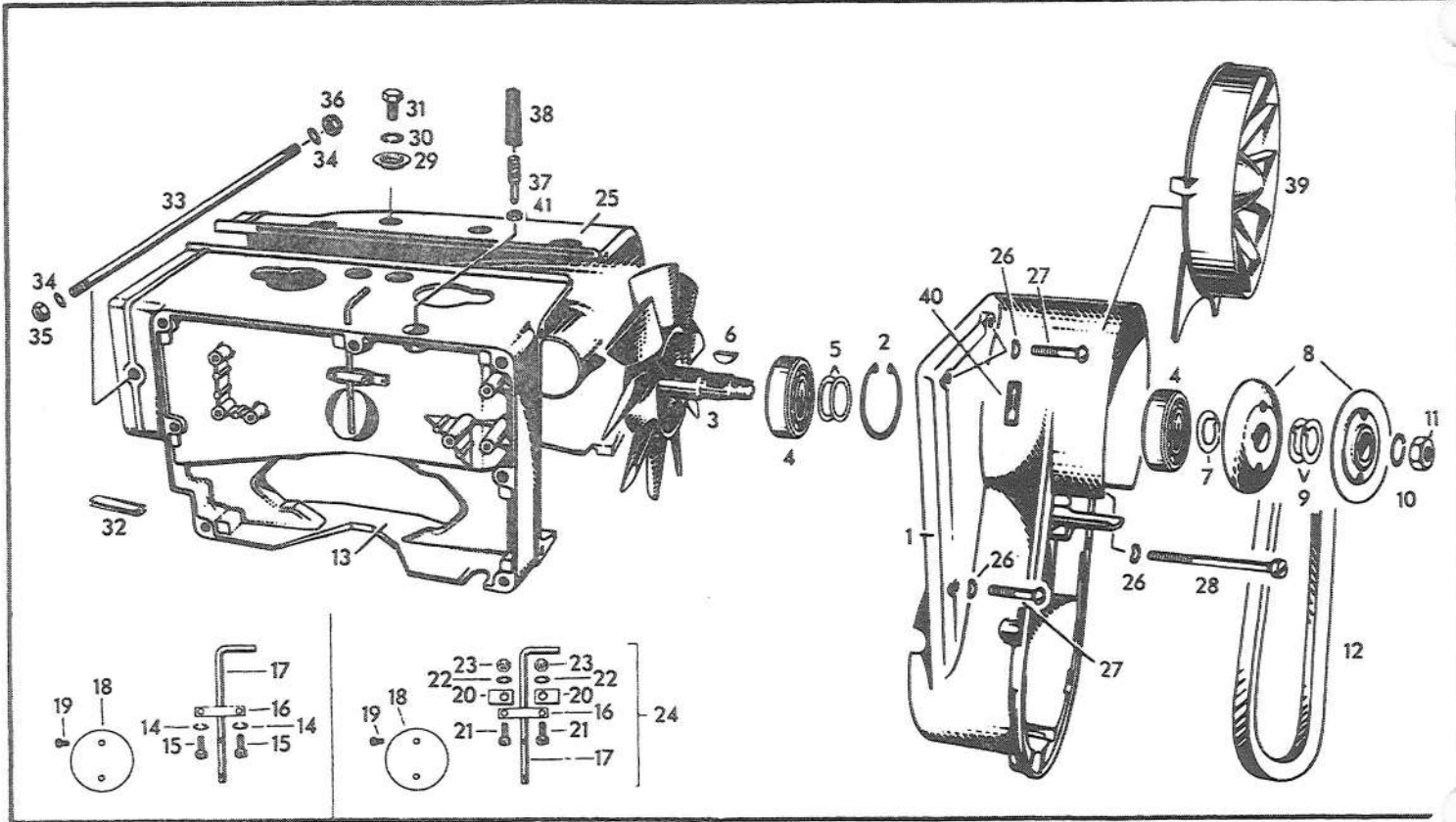
BOMBARDIER LTD./LTEE

CYLINDERS, INTAKE MANIFOLD, MUFFLER

ITEM NO.	PART NO.	DESCRIPTION	QUANTITY	
			640 [®]	640 [®]
6	402 2205	Cylinder Head, Magneto Side		1
7	402 0031	Washer, Cylinder Head	8	8
8	402 0018	Hex. Nut M8	3	3
9	402 2145	Distance Nut M8/5/16"	4	4
10	402 2146	Distance Nut M8/1/8 NPT	1	1
11	402 2159	Stud M8 x 41	4	4
12	402 2138	Intake Gasket P.T.O. Side Cylinder	1	1
13	402 2139	Intake Gasket, Magneto Side Cylinder	1	1
14	402 2150	Intake Manifold	1	1
15	402 2140	Ring Gasket	1	1
16	402 2151	Intake Cover	1	1
17	402 0031	Washer	2	2
18	402 2106	Lock Nut M8	2	2
19	404 0212	Tillotson Carb. Fl. Gasket	2	2
20	402 2171	Isolating Flange 20mm Thick	1	1
21	402 2072	Isolating Washer	2	2
22	402 0018	Hex Nut M8	2	2
23	402 2206	Intake Gasket P.T.O. Side		1
24	402 2207	Intake Gasket Magneto Side		1
25	402 2002	Stud M8 x 25		2
26-31	402 2209	Intake Manifold Ass'y		1
27	402 0064	Isolating and Sealing Washer		2
28	402 0065	Joint		2
29	402 0063	Clamp, Plastic Tube		2
30	414 0130	Plastic Line, 120mm		1
31	402 2159	Stud M8 x 41		4
32	402 0031	Washer	2	2
33	402 2106	Lock Nut M8	2	2
34	404 0212	Tillotson Carb. Fl. Gasket		4
35	402 2171	Isolating Flange, 20mm Thick		2
36	402 2072	Isolating Washer		4
37	402 0018	Hex Nut M8		4
38	402 2038	Stud M8 x 19	4	4
39	402 2100	Gasket, Exhaust Flange	2	2
40	402 2113	Exhaust Socket With Flange, P.T.O. Side	1	1
41	402 2109	Exhaust Socket With Flange, Magneto Side	1	1
42	402 0016	Lock Washer 8	4	4
43	402 0018	Hex. Nut M8	4	4
44	402 2194	Muffler Ass'y (Nordic)	1	1
45	402 2195	Inlet Elbow (Nordic)	1	1
46	402 4127	Hex. Screw M6 x 20	2	2
47	402 0015	Lock Washer 6	2	2
48	402 2053	Hex. Nut M6	2	2
49	414 0222	Clamp Ass'y 51 ϕ	3	3
50	402 2214	Muffler Ass'y (Alpine)	1	
51	402 2215	Inlet Tube (Alpine)	1	
52	414 0222	Clamp Ass'y 51 ϕ	3	
53	414 0222	Clamp Ass'y 46 ϕ	1	
54	402 2190	Hex. Screw M8 x 16	1	
55	402 0016	Lock Washer 8	1	
56	402 0018	Hex. Nut M8	1	
57	512 0063	Muffler Bracket (Alpine)	1	

BOMBARDIER LTD./LTEE

FAN HOUSING, CYLINDER COWLS, FAN V-BELT



ITEM NO.	PART NO.	DESCRIPTION	QUANTITY			
			399 ^①	399 ^②	640 ^③	640 ^④
1	402 0188	Fan Housing	1	1		
1	402 0158	Fan Housing			1	1
2	402 0118	Locking Ring	1	1	1	1
3	402 0154	Fan With Shaft Ass'y	1	1		
3	402 0126	Fan With Shaft Ass'y			1	1
4	402 0136	Ball Bearing	2	2	2	2
5	402 1018	Washer	2	2	2	2
6	402 1009	Woodruff Key 3 x 5	1	1	1	1
7	402 0129	Shim	1	1	1	1
8	402 0163	Pulley Half	2	2	2	2
9	402 0129	Shim	4	4	4	4
10	402 1084	Lock Washer 14	1	1	1	1
11	402 1086	Hex. Nut M14 x 1.5	1	1	1	1
12	402 0164	V-Belt	1	1		
12	402 0121	V-Belt			1	1
13	402 0184	Cylinder Cowl Right	1			
13	402 0183	Cylinder Cowl Right		1		
13-19	402 0199	Cylinder Cowl. Right With Shutter			1	1
14	402 4024	Lock Washer 5			2	2
15	402 0175	Cyl. Screw M5 x 12			2	2
16	402 0195	Leaf Spring Air Shutter			1	1
17	402 0194	Shaft Air Shutter			1	1

BOMBARDIER LTD./LTEE

FAN HOUSING, CYLINDER COWLS, FAN BELT

ITEM NO.	PART NO.	DESCRIPTION	QUANTITY			
			399 ^①	399 ^②	640 ^③	640 ^④
18	402 0193	Air Shutter			1	1
19	402 2212	Cyl. Screw M3.5 x 5			2	2
20	402 0192	Plate			2	2
21	402 5001	Cyl. Screw M5 x 16			2	2
22	402 4022	Washer 5.3			2	2
23	402 0105	Hex. Stop Nut M5			2	2
24	402 0200	Air Shutter Kit			1	1
25	402 0182	Cylinder Cowl Left	1	1		
25	402 0190	Cylinder Cowl Left			1	1
26	402 0133	Spring Washer B6	4	4	4	4
27	402 0151	Flat Head Screw M6 x 30	3	3	3	3
28	402 2125	Cylinder Screw M6 x 80	1	1	1	1
29	402 0185	Cowl Cover	1	1	1	1
30	402 0016	Lock Washer 8	1	1	1	1
31	402 0186	Hex. Screw 5/16" x 15	1	1	1	1
32	402 0196	Profile Rubber Strap 38mm	1	1		
32	402 0196	Profile Rubber Strap 32mm			1	1
33	402 0150	Stud M6 x 172	1	1		
33	402 2142	Stud M6 x 191			1	1
34	402 4129	Washer 6.2	2	2	2	2
35	402 2169	Locking Nut M6	1	1	1	1
36	402 2104	Lock Nut M6	1	1	1	1
37	402 0147	Adjustment Screw, Gas Cable	1	1		
37	402 0174	Adjustment Screw, Gas Cable			1	1
38	402 0138	Support Spring	1	1	1	1
39	402 0181	Fan Cover	1	1		
39	402 0187	Fan Cover			1	1
40	402 0092	Direction Plate	1	1	1	1
41	402 2053	Hex. Nut M6	1	1		

399^① For TNT 399

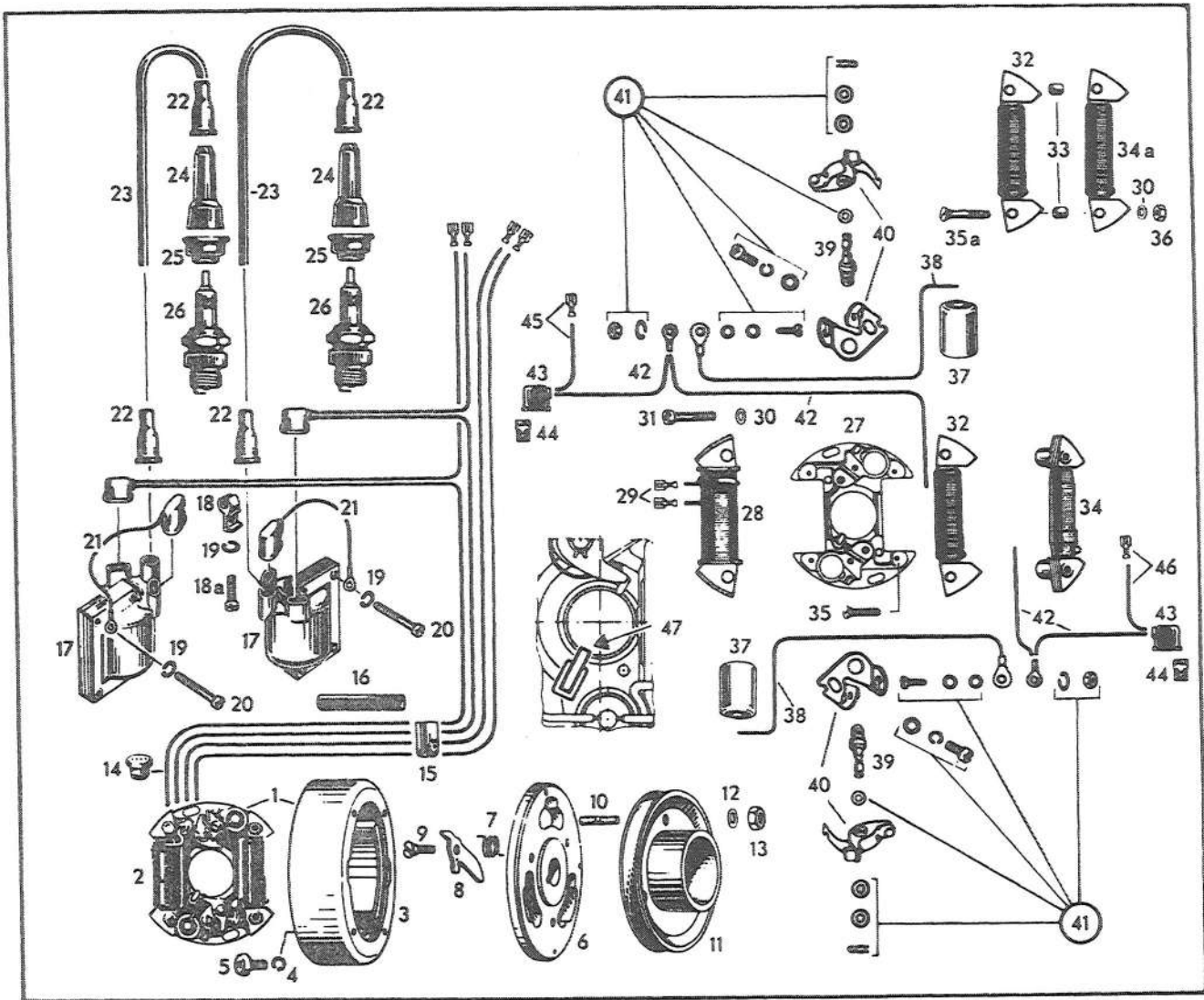
399^② For Nordic 399-399E

Olympic 399 - Alpine 399R-398ER

640^③ For Nordic 640E

640^④ For TNT 640

MAGNETO GENERATOR 12V 75W, MAGNETO HOUSING



ITEM NO.	PART NO.	DESCRIPTION	QUANTITY			
			399 ^①	399 ^②	640 ^③	640 ^④
1-16	402 4196	Magneto Generator Ass'y 12v 75w	1	1		
1	402 4197	Magneto Generator Ass'y 12v 75w			1	1
2	402 4198	Armature Plate Ass'y	1	1		
2	402 4199	Armature Plate Ass'y			1	1
3	402 4167	Magneto Ring	1	1	1	1
4	402 0015	Lock Washer	4	4	4	4
5	402 4148	Cyl. Screw With Interior Hexagon M6 x 10.5 ..	4	4	4	4
6	402 4149	Magneto Housing	1	1	1	1
7	402 4096	Spring, Centrifugal Weight	1	1	1	1
8	402 0146	Centrifugal Weight	1	1	1	1
9	402 4118	Bearing Screw, Centrifugal Weight	1	1	1	1
10	402 5050	Stud M8 x 15	3	3	3	3
11	402 0162	V-Belt Pulley	1	1	1	1
12	402 1158	Locking Washer 8	3	3	3	3
13	402 0134	Hex. Nut M8	3	3	3	3

BOMBARDIER LTD./LTEE

MAGNETO GENERATOR 12V 75W, MAGNETO HOUSING

ITEM NO.	PART NO.	DESCRIPTION	QUANTITY			
			399 ^①	399 ^②	640 ^③	640 ^④
14	402 4122	Cable Grommet	1	1	1	1
15	402 4158	Cable Grommet	1	1	1	1
16	402 0168	Rubber Sleeve 55mm	2	2	2	2
17	402 7008	Ignition Coil	2	2		
17	402 7008	Ignition Coil			2	2
18	402 4160	Plastic Clamp, Cables	1	1	1	1
18A	402 0175	Cyl. Screw M5 x 12.....			1	1
19	402 4024	Lock Washer 5	5	5	7	7
20	402 7004	Cyl. Screw M5 x 22	6	6	6	6
21	402 4153	Mass Cable Ass'y Yellow	1	1		
21	402 7062	Mass Cable Ass'y Yellow 80mm.....			2	2
22	402 7003	Protection Cap Ignition Coil	2	2	4	4
23	402 4154	Ignition Cable 145mm	2	2		
23	402 4075	Ignition Cable 200mm			2	2
24	402 4076	Spark Plug Protector	2	2		
24	402 7071	Spark Plug Protector			2	2
25	402 4182	Protection Cap			2	2
26	402 4175	Spark Plug W260 T1	2			
26	402 4145	Spark Plug W240 T1.....		2		
26	402 4080	Spark Plug M280 T31			2	2
27	402 4152	Armature Plate Alone	1	1	1	1
28	402 4155	Lighting Coil With Cables 550mm	1	1	1	1
29	402 4176	Faston Connector	2	2	2	2
30	402 4024	Lock Washer 5	2	2	2	2
31	402 4048	Cyl. Screw M5 x 28.....	2	2	2	2
32	402 4151	Generator Coil, Bottom, Right Hand Winding .	1	1	1	1
33	402 4161	Distance Sleeve	2	2	2	2
34-34A	402 4150	Generator Coil, Top, Left And Winding	1	1	1	1
35	402 4179	Countersunk Screw M5 x 25	2	2	2	2
35A	402 4146	Countersunk Screw M5 x 38	2	2	2	2
36	402 7049	Hex. Nut M5	2	2	2	2
37	402 4068	Condenser	2	2	2	2
38	402 4164	Cable Condenser	2	2	2	2
39	402 4049	Pivot Pin Contact Breaker.....	2	2	2	2
40	402 4050	Contact Points Set	2	2	2	2
41	402 7016	Parts Set, Armature Plate	2	2	2	2
42	402 4162	Generator Cable Ass'y, Blue-Black 610-80mm .	2	2	2	2
43	402 4159	Rubber Cap	2	2	2	2
44	409 2009	Faston Connector	2	2	2	2
45	402 4193	Shoring Cable, Black 260mm w.Conn.	1	1	1	1
46	402 4192	Shoring Cable, Yellow 365mm w.Conn.....	1	1	1	1
47	402 4141	Lubricating Wick	1	1	1	1

399^① For TNT 399

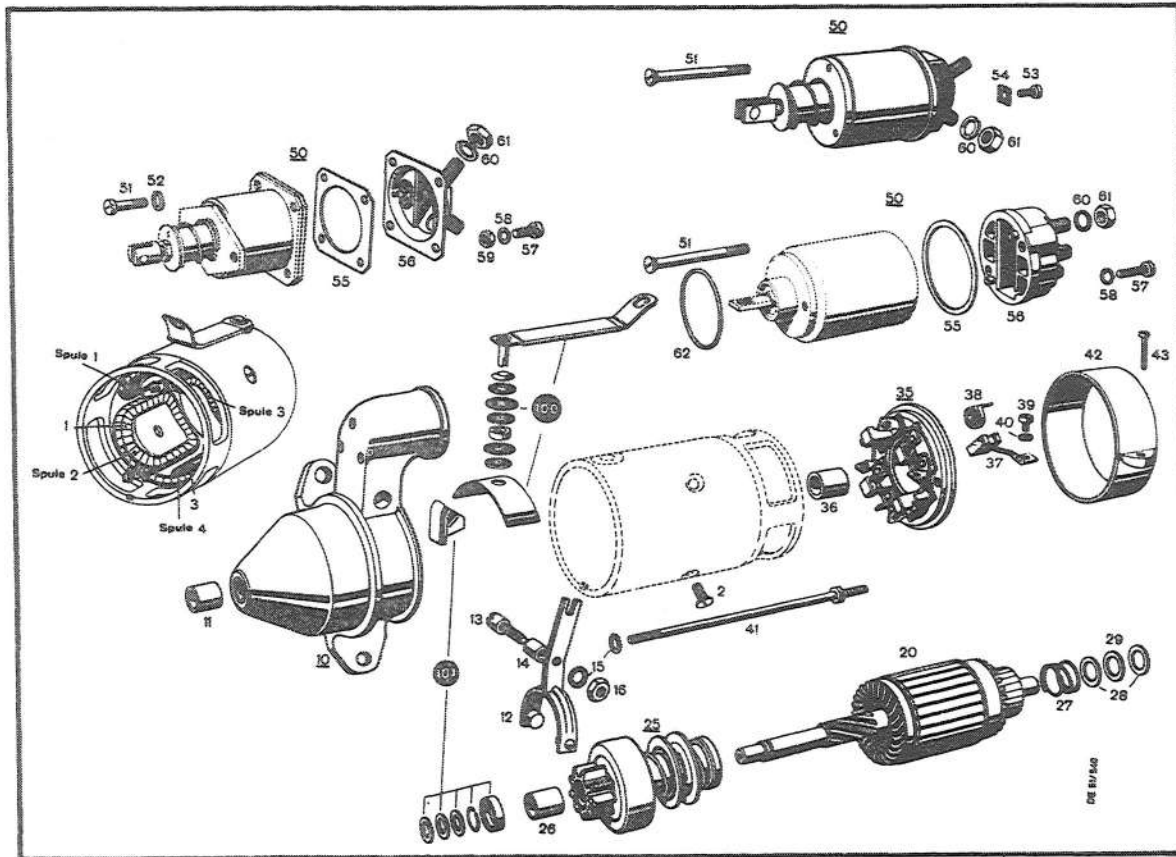
399^② For Nordic 399-399E
Olympic 399 - Alpine 399R-398ER

640^③ For Nordic 640E

640^④ For TNT 640

BOMBARDIER LTD./LTEE

ELECTRIC STARTER



ITEM NO.	PART NO.	DESCRIPTION	QUANTITY	
			399 ^②	640 ^③
1	402 7064	Field Winding Coils 3 & 4	1	1
1	402 7065	Field Winding, Coils 1 & 2	1	1
2	402 7073	Countersunk Screw M8 x 10	4	4
2	402 7020	Countersunk Screw M6 x 10	4	4
3	402 7069	Connecting Rail	1	1
10-11	402 7066	Drive End Bracket	1	1
11	402 7023	Bearing Bushing	1	1
12	402 7025	Engaging Lever	1	1
13	402 7026	Screw M5	1	1
14	402 7027	Bushing	1	1
15	402 4024	Lock Washer 5	3	3
16	402 7049	Hex. Nut M5	1	1
20	402 7067	Armature	1	1
25-26	402 7068	Drive Ass'y	1	1
26	402 7024	Bearing Bushing	2	2
27	402 7030	Helical Spring, Armature Brake	1	1
28	402 7032	Washer 10.3/20/0.5	2	2
29	402 7033	Isolating Washer 10.3/16/1	1	1
35	402 7034	Commutator End Bracket Ass'y (With Parts 111. no. 36-40)	1	1
36	402 7023	Bearing Bushing	1	1
37	402 7035	Carbon Brush Set (4 pieces)	1	1

BOMBARDIER LTD./LTEE

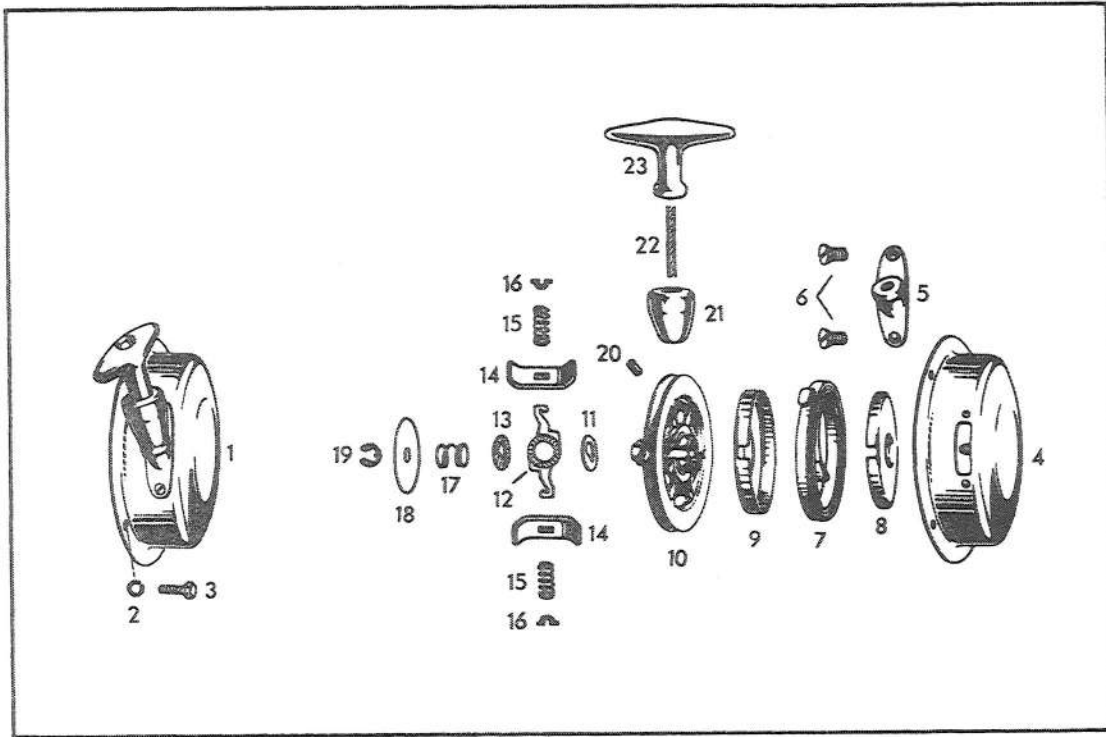
ELECTRIC STARTER

ITEM NO.	PART NO.	DESCRIPTION	QUANTITY	
			399 ^②	640 ^③
38	402 7031	Carbon Brush Spring	4	4
39A	402 7036	Cyl. Screw M4 x 8	2	2
39B	402 7037	Cyl. Screw M4 x 6	2	2
40	402 7016	Lock Washer 4	4	4
41	402 7048	Screw M5	2	2
42	402 7040	Closing Band	1	1
43	402 2158	Cyl. Screw M4 x 16	1	1
50	402 7041	Relay Ass'y (With Parts Ill. no. 53-59)	1	1
51	402 7042	Counter Sunk Screw M5 x 50	3	3
53	402 7036	Cyl. Screw M4 x 8	1	1
54	402 7043	Plate, Terminal 50	1	1
60	402 0016	Lock Washer 8	1	1
61	402 7044	Hex. Nut M8	1	1
100	402 7045	Parts Set For Terminal	1	1
101	402 7046	Parts Set For Armature	1	1

399^② For Nordic 399E
 Alpine 399ER

640^③ For Nordic 640E

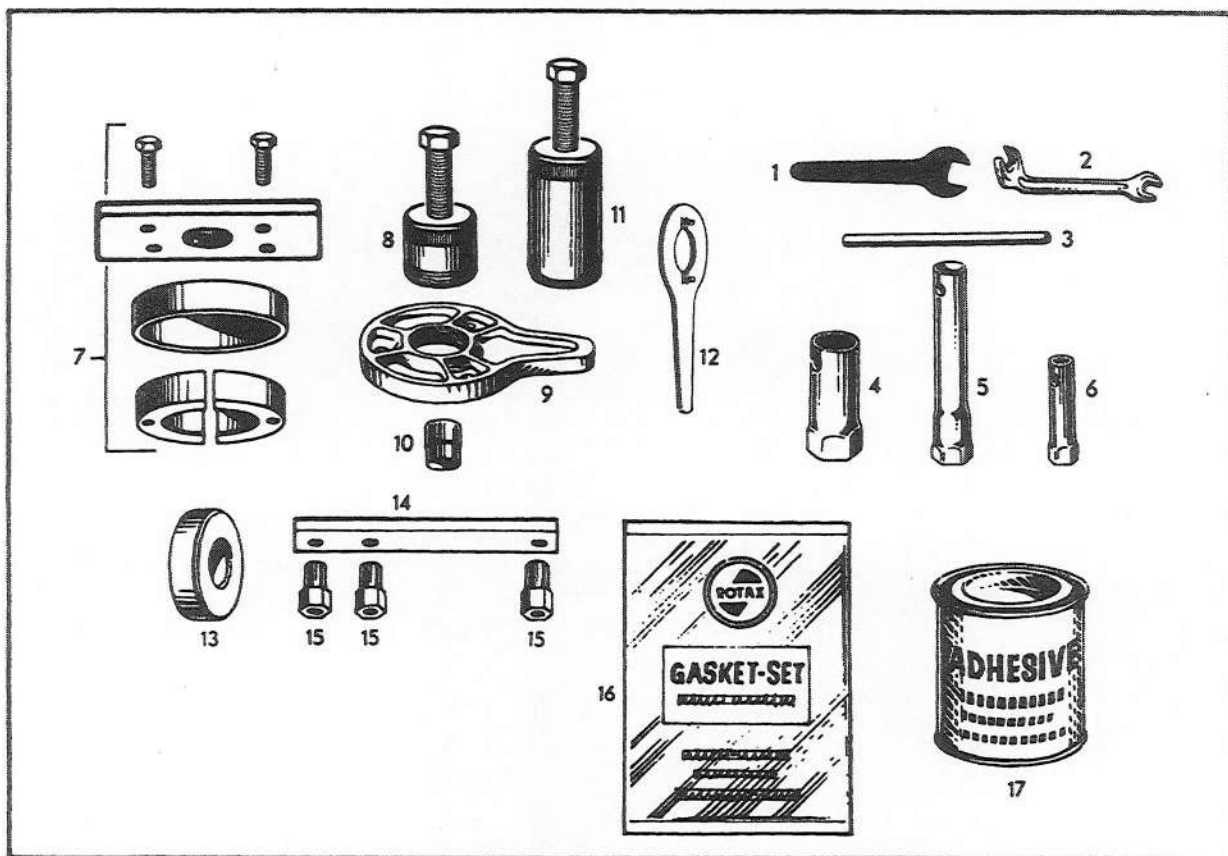
REWIND STARTER



ITEM NO.	PART NO.	DESCRIPTION	QUANTITY			
			399 ^①	399 ^②	640 ^③	640 ^④
1	402 5046	Rewind Starter Ass'y	1	1	1	1
2	402 0015	Lock Washer 6	4	4	4	4
3	402 5012	Hex. Screw M6 x 15	4	4	4	4
4	402 7058	Starter Housing	1	1	1	1
5	402 5036	Starter Stop	1	1	1	1
6	402 5037	Countersunk Screw M5 x 8	2	2	2	2
7-8-9	402 5023	Spring Cartridge Ass'y	1	1	1	1
7	402 5022	Rewind Spring	1	1	1	1
8	402 5038	Spring Guide	1	1	1	1
9	402 5044	Cover, Spring Guide	1	1	1	1
10	402 5047	Rope Sheave	1	1	1	1
11	402 5026	D-Washer	1	1	1	1
12	402 5028	Pivot Arm	1	1	1	1
13	402 5027	Friction Washer	1	1	1	1
14	402 5029	Pawl	2	2	2	2
15	402 5030	Pawl Spring	2	2	2	2
16	402 5031	Pawl Spring Stop	2	2	2	2
17	402 5032	Friction Spring	1	1	1	1
18	402 5033	Cover Washer	1	1	1	1
19	402 5034	Circlip	1	1	1	1
20	402 5016	Bolt 5 x 6 Starter Rope	1	1	1	1
21	402 5039	Rubber Buffer	1	1	1	1
22	402 5018	Starter Rope 1200mm	1	1	1	1
23	402 5019	Starter Grip	1	1	1	1

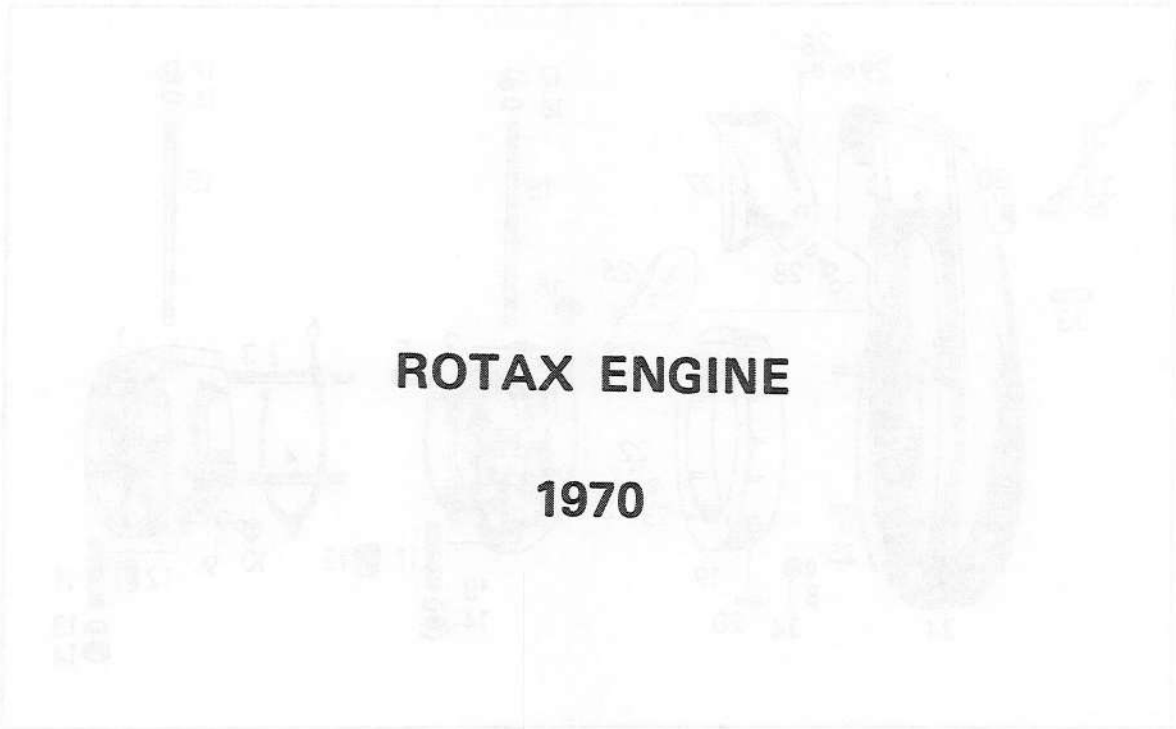
BOMBARDIER LTD./LTEE

REPAIR TOOLS



ITEM NO.	PART NO.	DESCRIPTION	QUANTITY			
			399 ^①	399 ^②	640 ^③	640 ^④
1-2-3-4-5-6	402 8054	Tool Set Ass'y	1	1		
1-2-3-4-6	402 8050	Tool Set Ass'y			1	1
1	402 8046	One-End Wrench 11mm	1	1	1	1
2	402 8049	Angular Wrench 10/13mm	1	1	1	1
3	402 8039	Bolt 8 x 130, Socket Wrench	1	1	1	1
4	402 8022	Socket Wrench Spark Plug			1	1
5	402 8048	Socket Wrench, Spark Plug	1	1		
6	402 8024	Socket Wrench 13mm	1	1	1	1
7	402 8001	Remover Ass'y, Bearing 6305	1	1		
7	402 8002	Remover Ass'y, Bearing 6306			1	1
8	402 8044	Puller Ass'y Flywheel	1	1	1	1
9	402 8045	Wrench to Hold Magneto Housing	1	1	1	1
10	402 8005	Protection Cap	1	1	1	1
11	402 8055	Puller Ass'y, Starter Gear	1	1	1	1
12	402 8053	Wrench to Hold Puller Halves	1	1	1	1
13	402 1207	Crankshaft Ring	1	1		
13	402 1208	Crankshaft Ring			1	1
14	402 8057	Cylinder Aligning Tool	1	1	1	1
15	402 8056	Nut M8 Cylinder Aligning	3	3	3	3
16	402 9013	Gasket Set Ass'y	1	1		
16	402 9014	Gasket Set Ass'y			1	1
17	402 9015	Adhesive Isarplast L700, Can.	1	1	1	1

BOMBARDIER LTD./LTEE

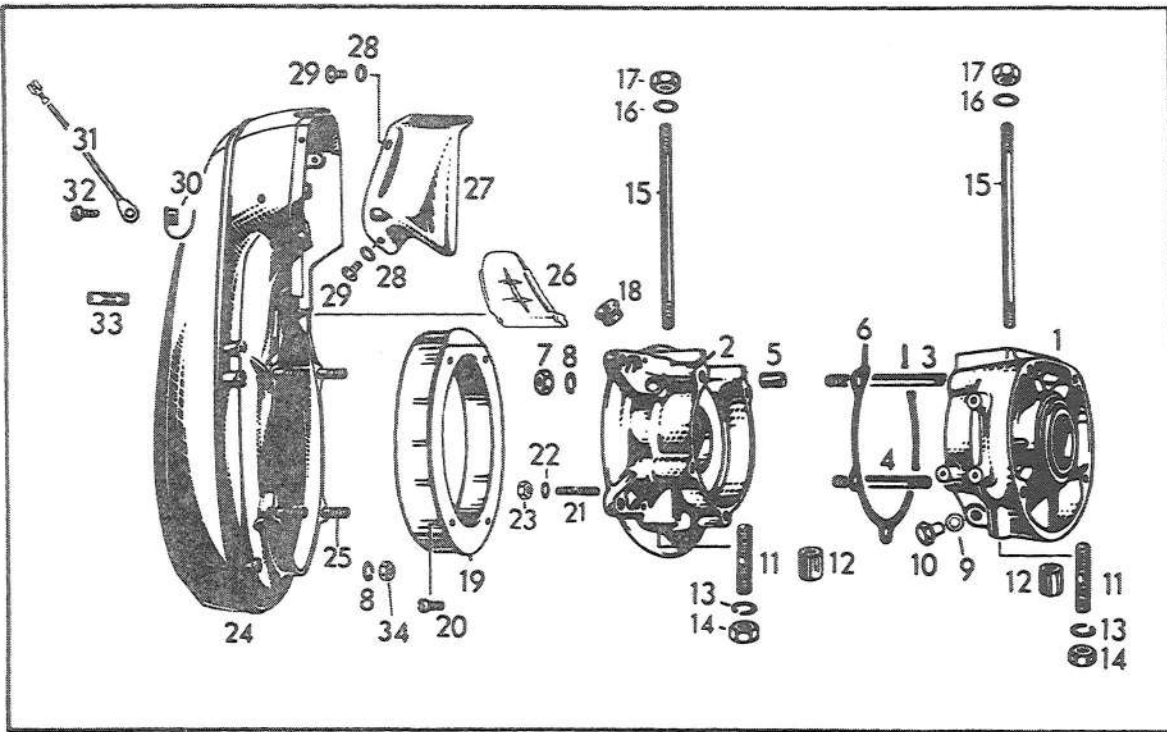


ROTAX ENGINE

1970

Model	Engine Type	Application	Power (HP)	Weight (kg)
292	FOR	TNT 292-292S	10.5	12.5
300	FOR	OLYMPIC 12/3	12.5	14.5
335	FOR	OLYMPIC 335-335E	15.5	17.5
340	FOR	TNT 340 - 340S	17.5	19.5

CRANKCASE, FAN COWL



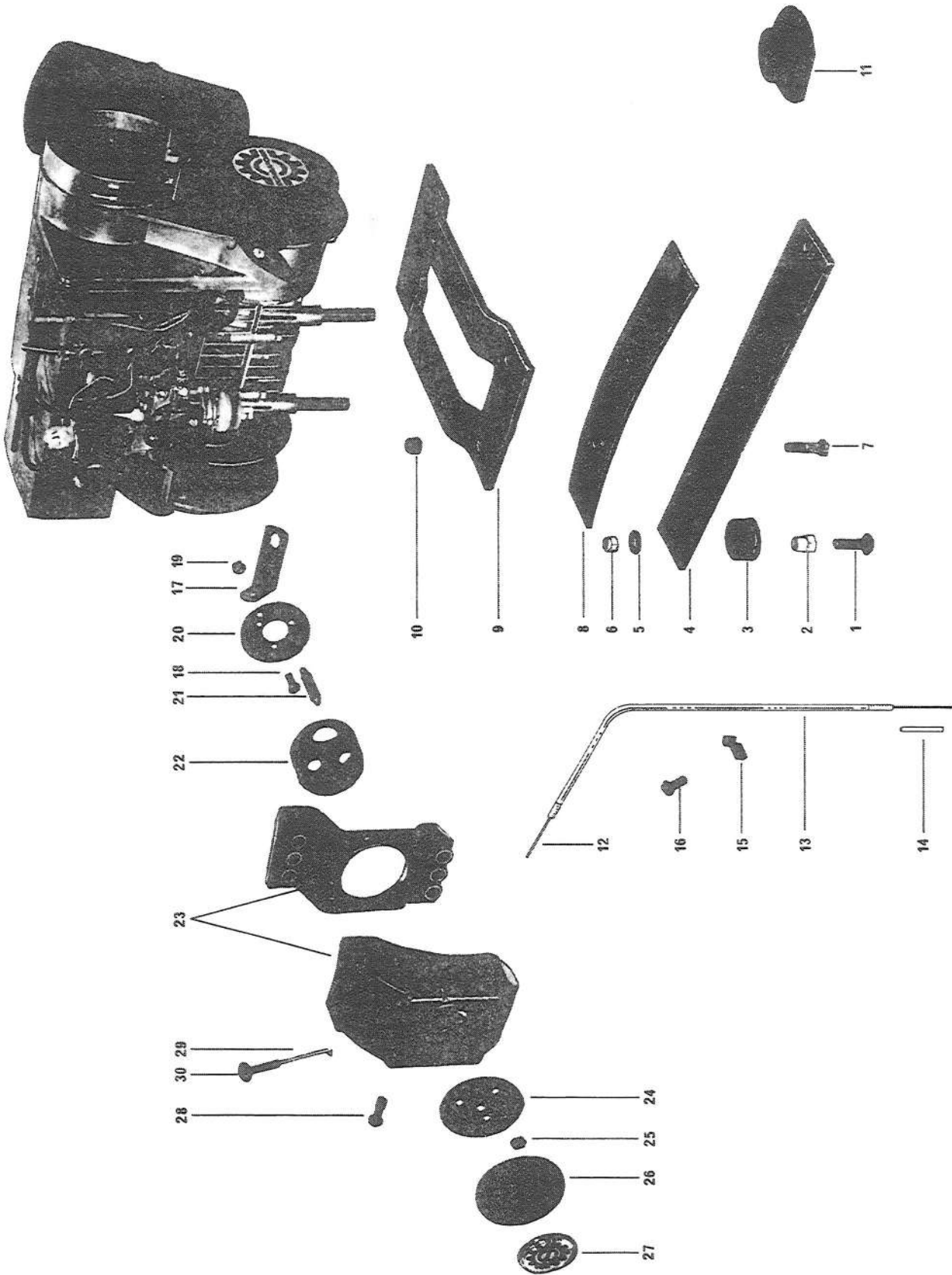
ITEM NO.	PART NO.	DESCRIPTION	QUANTITY			
			292	300	335	340
1-2-3-4-5	402 0201	Crankcase Ass'y	1			
1-2-3-4-5	402 0005	Crankcase Ass'y		1		
1-2-3-4-5	402 0166	Crankcase Ass'y, (Engine Without Electric Starter)				1
1-2-3-4-5	402 0140	Crankcase Ass'y (Engine With Electric Starter) .			1	
3	402 0007	Stud M8 x 56	2	2	2	2
4	402 0009	Stud M8 x 46	3	3	3	3
5	402 1015	Dowel Tube 10φ x 15	2	2	2	2
6	402 0014	Gasket, Crankcase	1	1	1	1
7	402 0018	Hex. Nut M8	5	5	5	5
8	402 0016	Lock Washer 8 Crankcase	5	5	5	5
9	402 0019	Sealing Ring	1	1	1	1
10	402 0020	Hex. Screw M8 x 9, Oil Drain	1	1	1	1
11	402 0023	Stud M10 x 42, Engine Base	4	4	4	4
12	402 0091	Distance Sleeve	4	4	4	4
13	402 0025	Lock Washer 10	4	4	4	4
14	402 0026	Hex. Nut M10	4	4	4	4
15	402 0076	Stud M8 x 171	4	4	4	4
16	402 0031	Washer	4	4	4	4

BOMBARDIER LTD./LTEE

SECTION 2

ENGINE THROTTLE FUEL EXHAUST

ENGINE



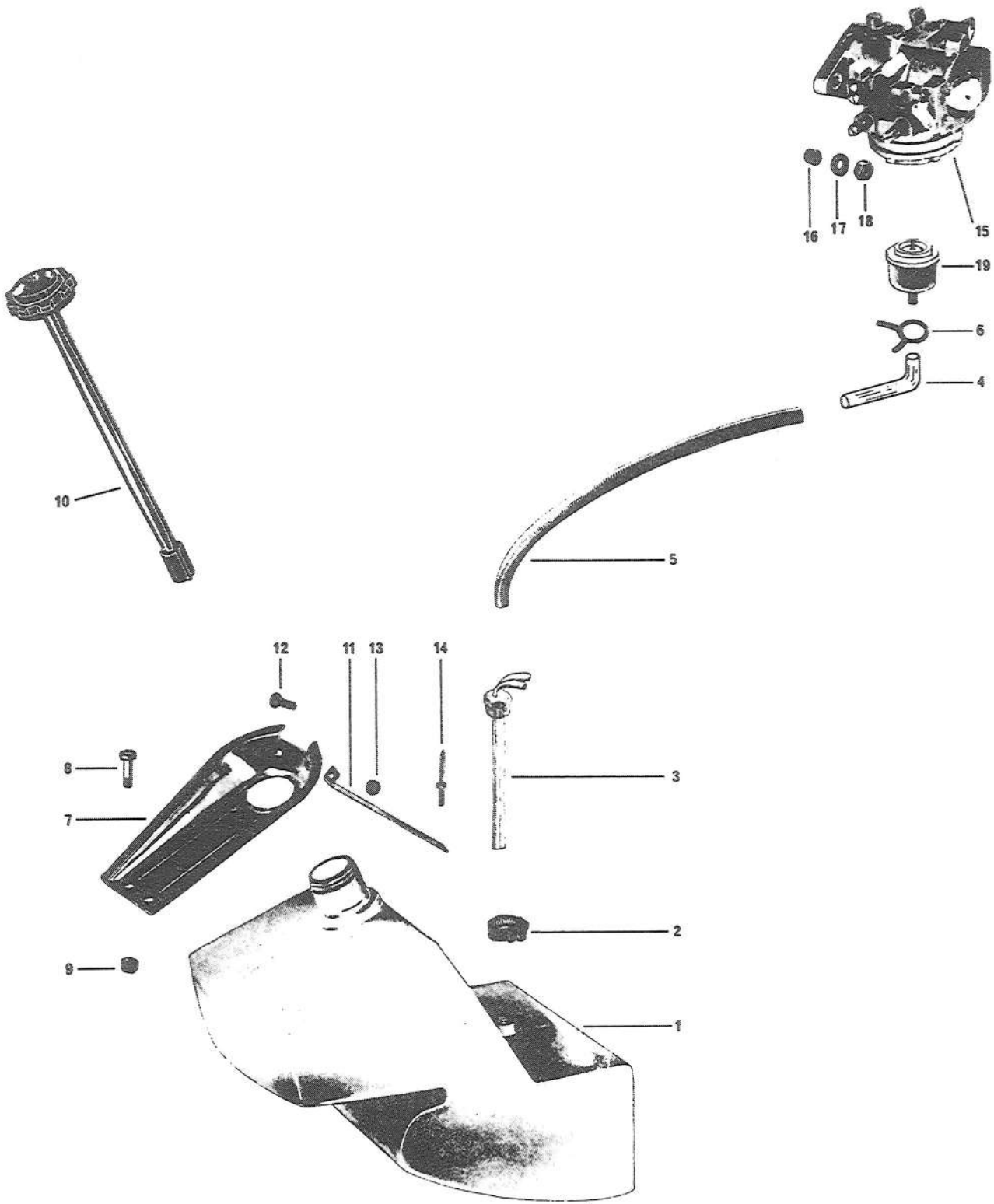
BOMBARDIER LTD./LTEE

Cat. No. 480-1013

ENGINE

ITEM NO.	PART NO.	DESCRIPTION	QUANTITY
			335
1	360 8010	Carriage Bolt	4
2	512 0011	Threaded Spacer Bushing	4
3	570 1202	Insulator Rubber	4
4	512 0088	Engine Support	2
5	399 9006	Washer	4
6	389 8036	Nut	4
7	309 8025	Screw W/Knurling	4
8	512 0089	Engine Leaf Spring	2
9	512 0017	Engine Bracket	1
10	389 8037	Nut	4
11	570 1403	Exhaust Grommet	1
12	414 0264	Throttle Cable	1
13	414 0263	Cable Housing	1
14	414 0452	Cable Protector	1
15	507 0028	Clip	2
16	300 5000	Screw	2
17	513 0045	Carburator Bracket	1
18	300 0000	Screw	1
19	386 6119	Nut	1
20	402 3004	Silencer Bottom	1
21	402 3019	Collar Stud	3
22	402 3033	Silencer Socket	1
23	414 0270	Air Intake	1
24	402 3016	Retaining Disk	1
25	386 6119	Nut	3
26	414 0271	Intake Silencer Cap	1
27	414 0411	Bombardier Crest	1
28	402 8032	Jet Wrench	1
29	402 3023	Choke Rod	1
30	402 3020	Choke Button	1

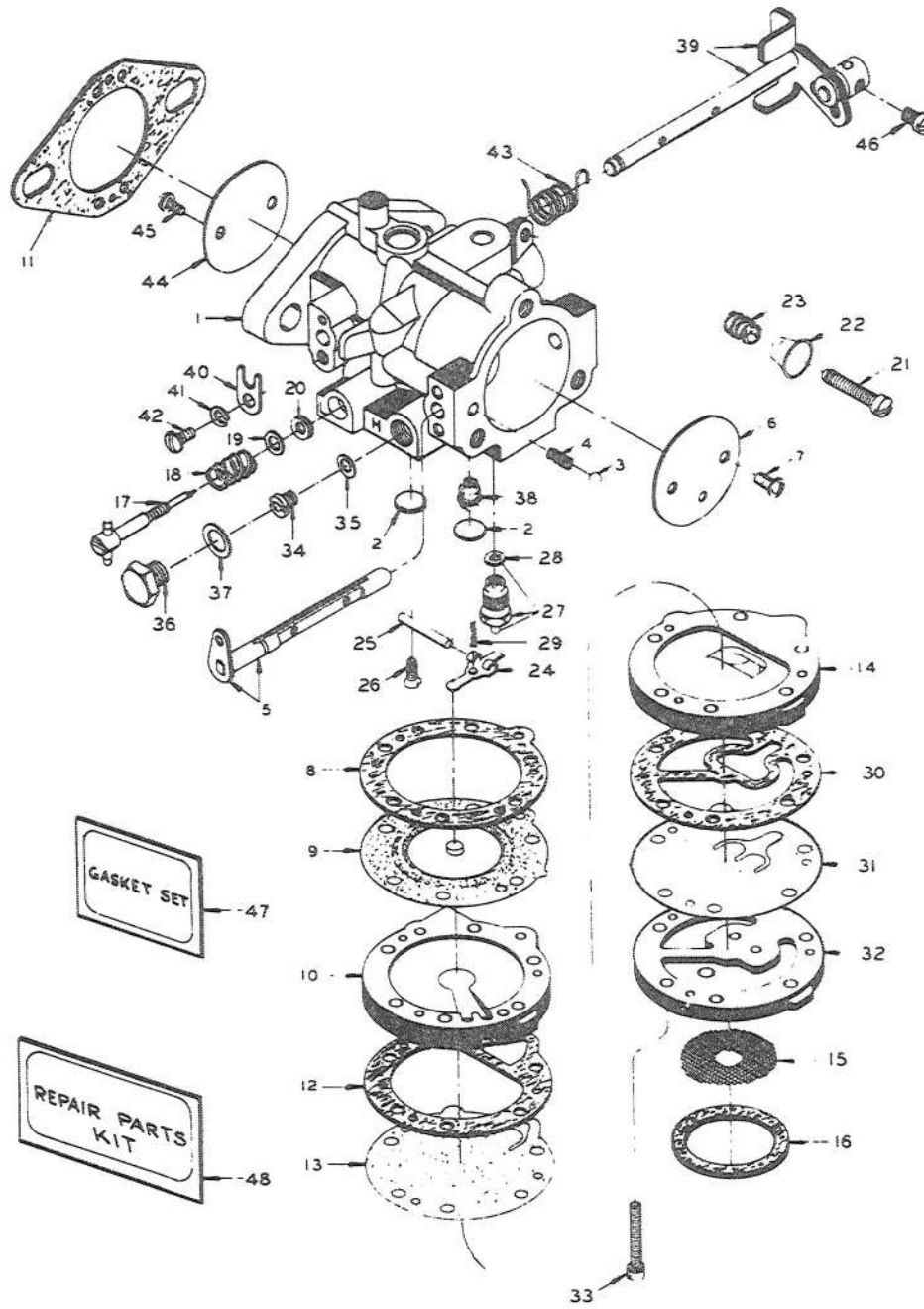
FUEL



FUEL

ITEM NO.	PART NO.	DESCRIPTION	QUANTITY
			335
1	414 0135	Fuel Tank	1
2	408 8004	Gear Clamp	1
3	513 0067	Fuel Line Adapter	1
4	414 0130	Fuel Line (Mult 12")	AR
5	414 0178	Isolating Line (Mult. 12")	AR
6	414 0128	Hose Clamp	3
7	517 0124	Filler Neck Bib	1
8	300 5001	Screw	2
9	386 9003	Nut	2
10	414 0209	Fuel Tank Cap (Gauge)	1
11	513 0073	Retaining Strip	2
12	350 0007	Screw	2
13	386 6013	Nut	2
14	390 4021	Pop Rivet	2
15	403 0019	Carburator	1
16	404 0157	Insulator Sleeve	2
17	402 2072	Isolating Washer	2
18	402 0018	Nut	2
19	414 0112	Fuel Filter	1

CABURATOR



BOMBARDIER LTD./LTEE

Cat. No. 480-1013

LITHO'D IN CANADA

SECTION 2 - PAGE 6

OCTOBER 1969.

CABURATOR

ITEM NO.	PART NO.	DESCRIPTION	QUANTITY
			335
1	404 0259	Body	1
2	404 0010	* Body Channel Welch Plug	2
3	404 0013	Choke Friction Ball	1
4	404 0014	Choke Friction Spring	1
5	404 0186	Choke Shaft & Lever	1
6	404 0187	Choke Shutter	1
7	404 0028	Choke Shutter Screw & Lockwasher	2
8	404 0030	Diaphragm Gasket	1
9	404 0032	* Diaphragm	1
10	404 0188	Diaphragm Cover	1
11	404 0039	Flange Gasket	2
12	404 0191	Fuel Pump Gasket	2
13	404 0190	* Fuel Pump Diaphragm	1
14	404 0189	Fuel Pump Body	1
15	404 0181	* Fuel Strainer Screw	1
16	404 0050	Fuel Strainer Cover Gasket	1
17	404 0192	* Idle Mixture Screw	1
18	404 0056	* Idle Mixture Screw Spring	2
19	404 0057	Idle Mixture Screw Washer	1
20	404 0059	Idle Mixture Screw Packing	1
21	404 0066	* Idle Speed Screw	1
22	404 0158	Idle Speed Screw Cup	1
23	404 0067	* Idle Speed Screw Spring	1
24	404 0069	* Inlet Control Lever	1
25	404 0072	Inlet Control Level Fulcrum Pin	1
26	404 0073	* Inlet Control Lever Fulcrum Pin Ret. Screw	1
27	404 0159	* Inlet Needle, Seat & Gasket	1
28	404 0079	Inlet Seat Gasket	1
29	404 0081	* Inlet Tension Spring	1
30	404 0196	Inlet Valve Gasket	1
31	404 0195	* Inlet Valve Diaphragm	1
32	404 0193	Inlet Valve Body	1
33	404 0194	Inlet Valve Body Ret. Screw	6
34	404 0254	* Main Fuel Jet (.049)	1
35	404 0260	Main Fuel Jet Gasket	1
36	404 0139	Main Fuel Jet Plug Screw	1
37	404 0142	Main Fuel Jet Plug Screw Gasket	1
38	404 0088	* Nozzle Check Valve	1
39	404 0232	Throttle Shaft & Lever	1
40	404 0102	Throttle Shaft Clip	1
41	404 0105	Throttle Shaft Clip Lockwasher	1
42	404 0106	Throttle Shaft Clip Ret. Screw	1
43	404 0111	* Throttle Shaft Return Spring	1
44	404 0198	Throttle Shutter	1
45	404 0028	* Throttle Shutter Screw & Lockwasher	2
46	404 0220	* Throttle Wire Ret. Screw	1
47	404 0261	* Gasket & Packing Set	1
48	404 0262	Repair Parts Kit	1

(*) Indicates Contents Of Repair Parts Kit



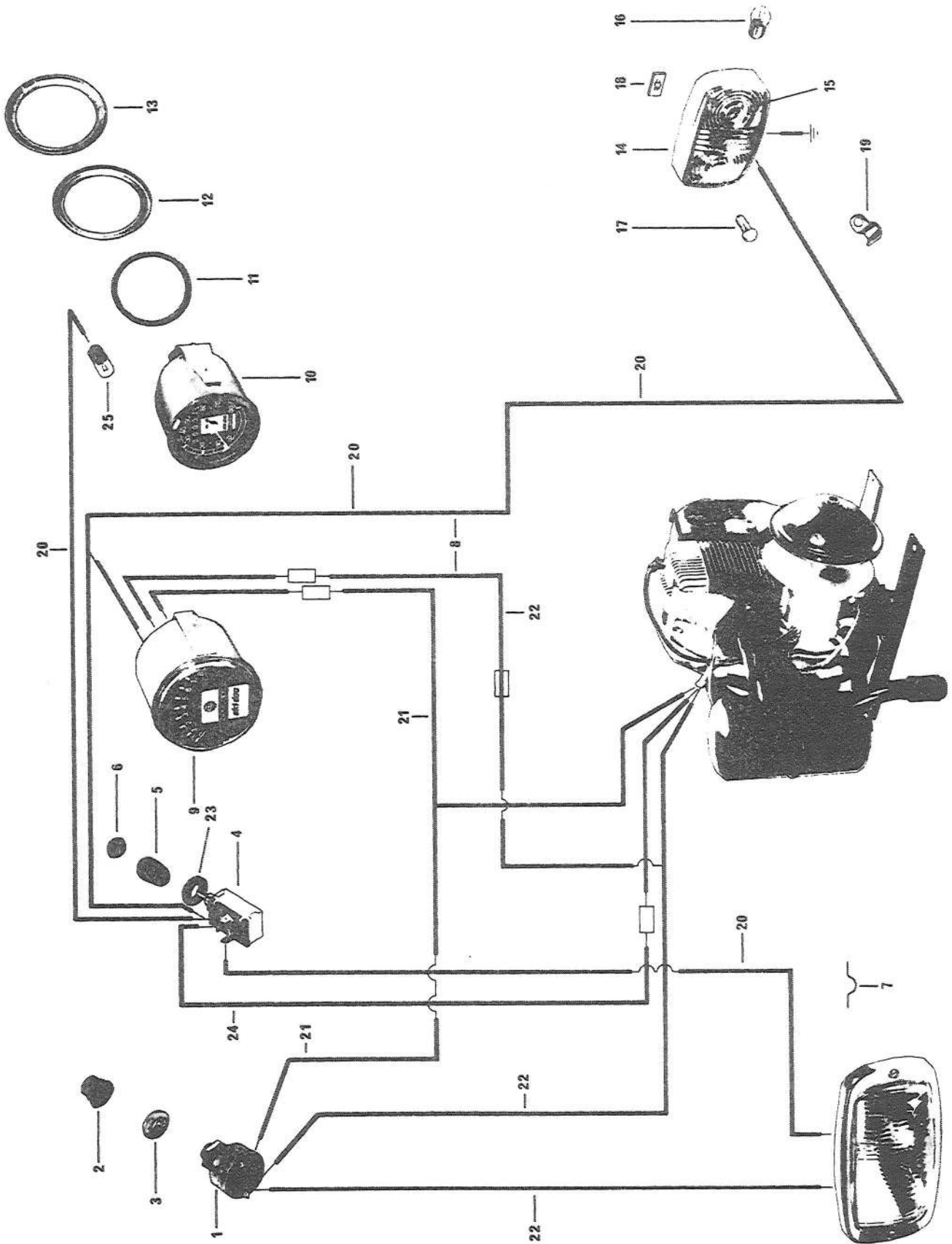
SECTION 3



SECTION 3

ELECTRICAL

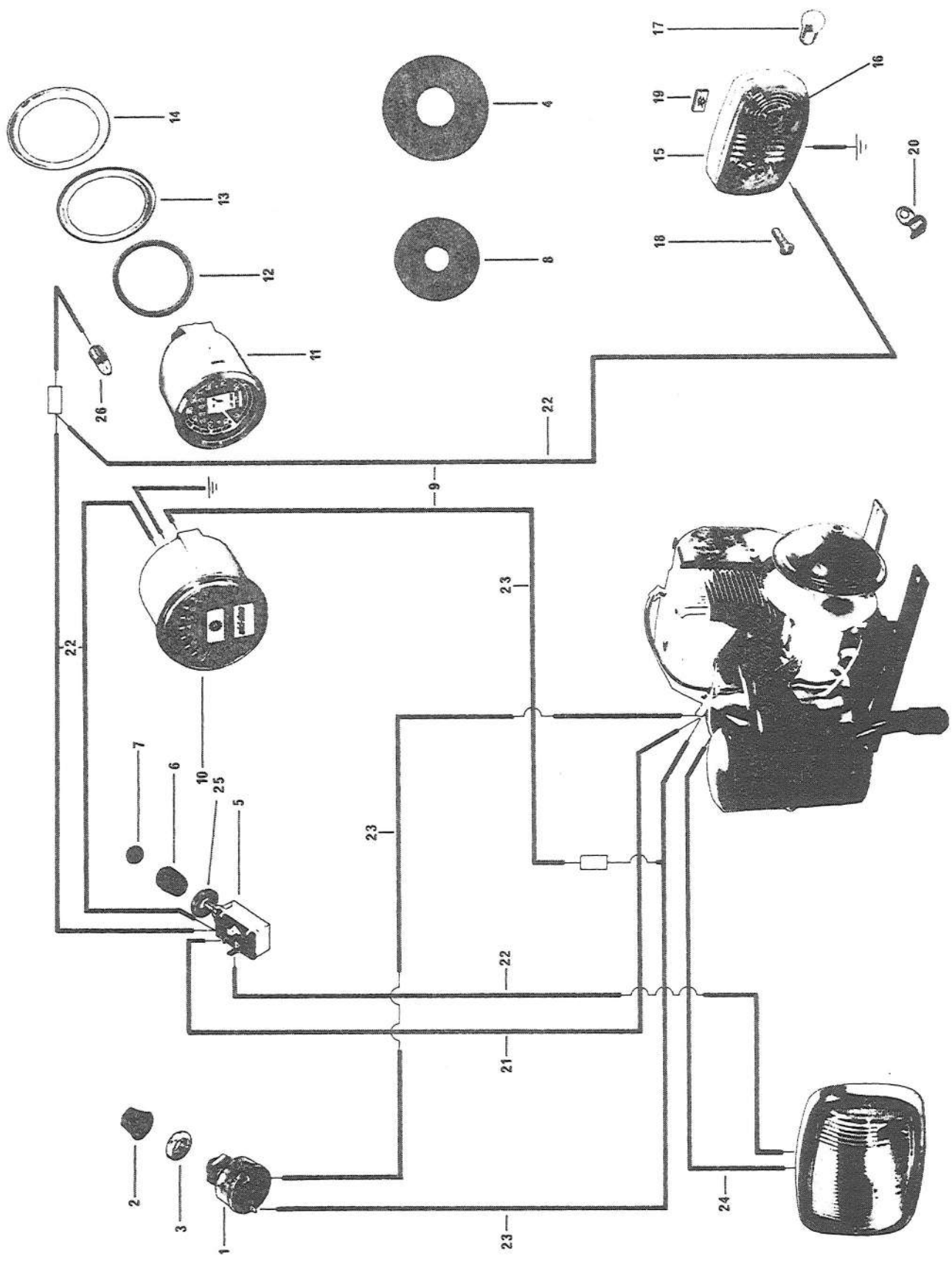
ELECTRICAL (OLYMPIC)



ELECTRICAL (OLYMPIC)

ITEM NO.	PART NO.	DESCRIPTION	QUANTITY						
			12/3	335	399	TNT 292	TNT 340	TNT 292S	TNT 340S
1	410 1006	Ignition Switch	1	1	1	1	1	1	1
2	670 1503	Ignition Switch Boot	1	1	1	1	1	1	1
3	410 1008	Face Nut	1	1	1	1	1	1	1
4	410 1004	Headlight Switch	1	1	1	1	1	1	1
5	414 0251	Headlight Switch Knob	1	1	1	1	1	1	1
6	414 0345	Knob Decal	1	1	1	1	1	1	1
7	5150102	Wire Clamp	1	1	1	1	1	1	1
8	515 0175	Harness Ass'y	1	1					
8	515 0206	Harness Ass'y			1				
8	515 0203	Harness Ass'y				1	1	1	1
9	414 0341	Tachometer				1	1	1	1
10	414 0193	Speedometer				1	1	1	1
11	414 0194	Shock Absorber				1	1	1	1
12	414 0499	Speedo Outer Ring				1	1	1	1
13	414 0500	Speedo Inner Ring				1	1	1	1
14	410 6007	Tail Lamp Ass'y	1	1	1	1	1	1	1
15	410 9019	Tail Lamp Lens	1	1	1	1	1	1	1
16	410 5006	Tail Lamp Bulb	2	2	2	2	2	2	2
17	321 6046	Screw	2	2	2				
17	321 6043	Screw				2	2	2	2
18	389 8010	Nut	2	2	2	2	2	2	2
19	517 0096	Clip	1	1	1				
20	409 6020	Wire Brown 16 Ga. Mult 12''	AR	AR	AR	AR	AR	AR	AR
21	409 6021	Wire Black 16 Ga. Mult 12''	AR	AR	AR	AR	AR	AR	AR
22	409 6022	Wire Yellow 16 Ga. Mult 12''	AR	AR	AR	AR	AR	AR	AR
23	410 1010	Headlight Switch Face Nut	1	1	1	1	1	1	1
24	409 6028	Wire Red W/Stripped White 16 Ga. Mult 12''	AR	AR		AR	AR	AR	AR
24	409 6079	Red/WStripped Violet 16 Ga. Mult 12''			1				
25	410 5010	Speedo Bulb				1	1	1	1
-	410 9040	Spirap Tubing Mult. 12''	AR	AR	AR	AR	AR	AR	AR
-	409 9001	Housing 3/16 Ø Mult 12''	AR	AR	AR	AR	AR	AR	AR
-	099 0004	Vinyl Tape	AR	AR	AR	AR	AR	AR	AR

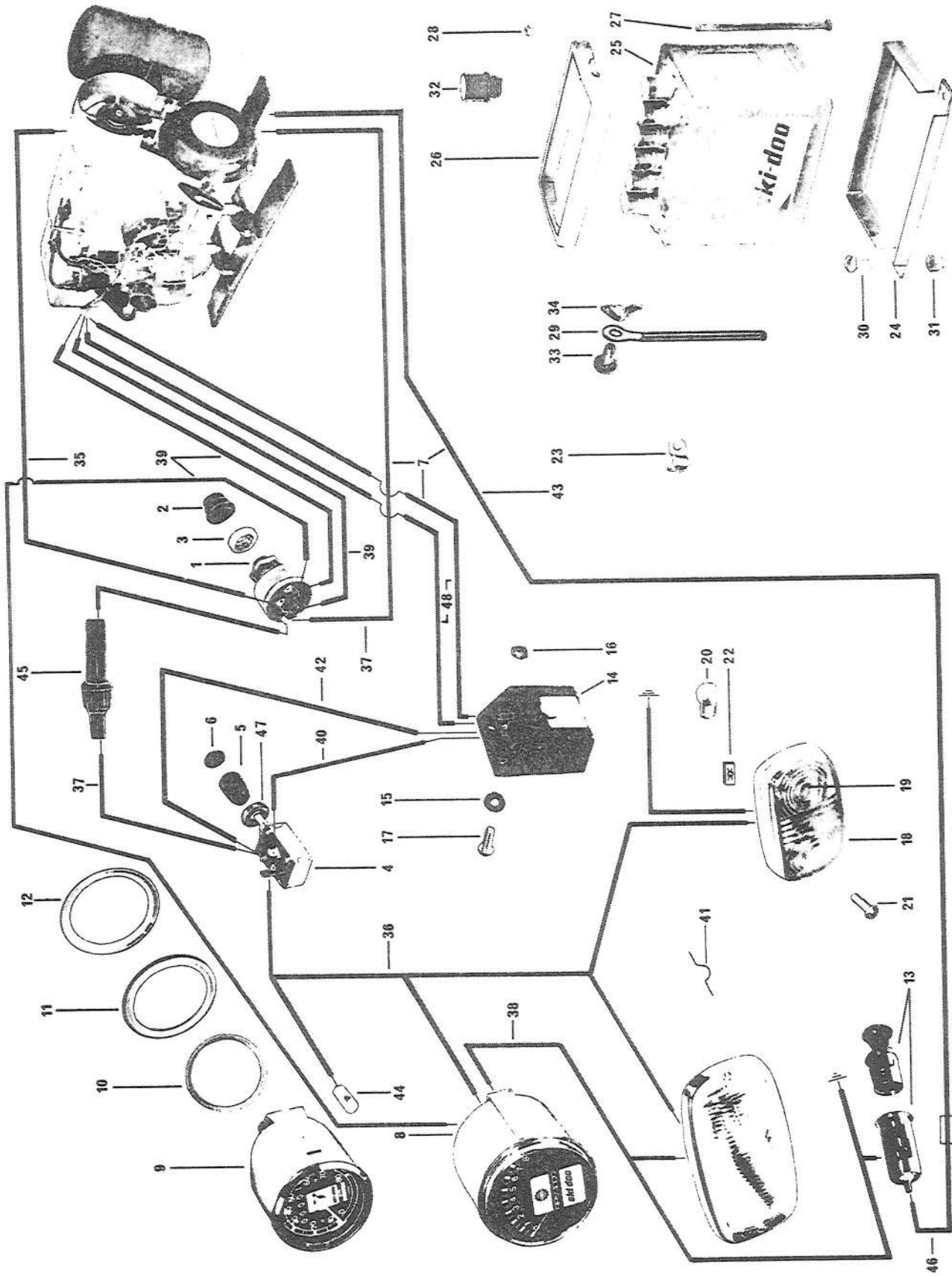
ELECTRICAL (NORDIC)



ELECTRICAL (NORDIC)

ITEM NO.	PART NO.	DESCRIPTION	QUANTITY				
			399	TNT 399	TNT 640	TNT 399S	TNT 640S
1	410 1006	Ignition Switch	1	1	1	1	1
2	670 1503	Ignition Switch Boot	1	1	1	1	1
3	410 1008	Face Nut	1	1	1	1	1
4	414 0501	Ignition Sticker		1	1	1	1
5	410 1004	Headlight Switch	1	1	1	1	1
6	414 0251	Headlight Switch Knob	1	1	1	1	1
7	414 0345	Headlight Switch Knob Decal	1	1	1	1	1
8	414 0502	Light Sticker		1	1	1	1
9	515 0178	Harness Ass'y	1				
9	515 0200	Harness Ass'y		1	1	1	1
10	414 0341	Tachometer		1	1	1	1
11	414 0193	Speedometer		1	1	1	1
12	414 0194	Shock Absorber		1	1	1	1
13	414 0499	Speedo Outer Ring		1	1	1	1
14	414 0500	Speedo Inner Ring		1	1	1	1
15	410 6007	Tail Lamp Ass'y	1	1	1	1	1
16	410 9019	Tail Lamp Lens	1	1	1	1	1
17	410 5006	Tail Lamp Bulb	2	2	2	2	2
18	321 6046	Screw	2				
18	321 6043	Screw		2	2	2	2
19	389 8010	Nut	2	2	2	2	2
20	517 0096	Clip	1				
21	409 6029	Wire Red W/Stripped Violet 16 Ga. Mult. 12''	AR	AR	AR	AR	AR
22	409 6020	Wire Brown 16 Ga. Mult. 12''	AR	AR	AR	AR	AR
23	409 6021	Wire Black 16 Ga. Mult. 12''	AR	AR	AR	AR	AR
24	409 6022	Wire Yellow 16 Ga. Mult. 12''	AR	AR	AR	AR	AR
25	410 1010	Headlight Switch Face Nut	1	1	1	1	1
26	410 5010	Speedometer Bulb		1	1	1	1
-	099 0004	Vinyl Tape	AR	AR	AR	AR	AR
-	409 9001	Housing 3/16 Ø Mult. 12	AR	AR	AR	AR	AR
-	410 9040	Spirap Tubing Mult. 12''	AR	AR	AR	AR	AR

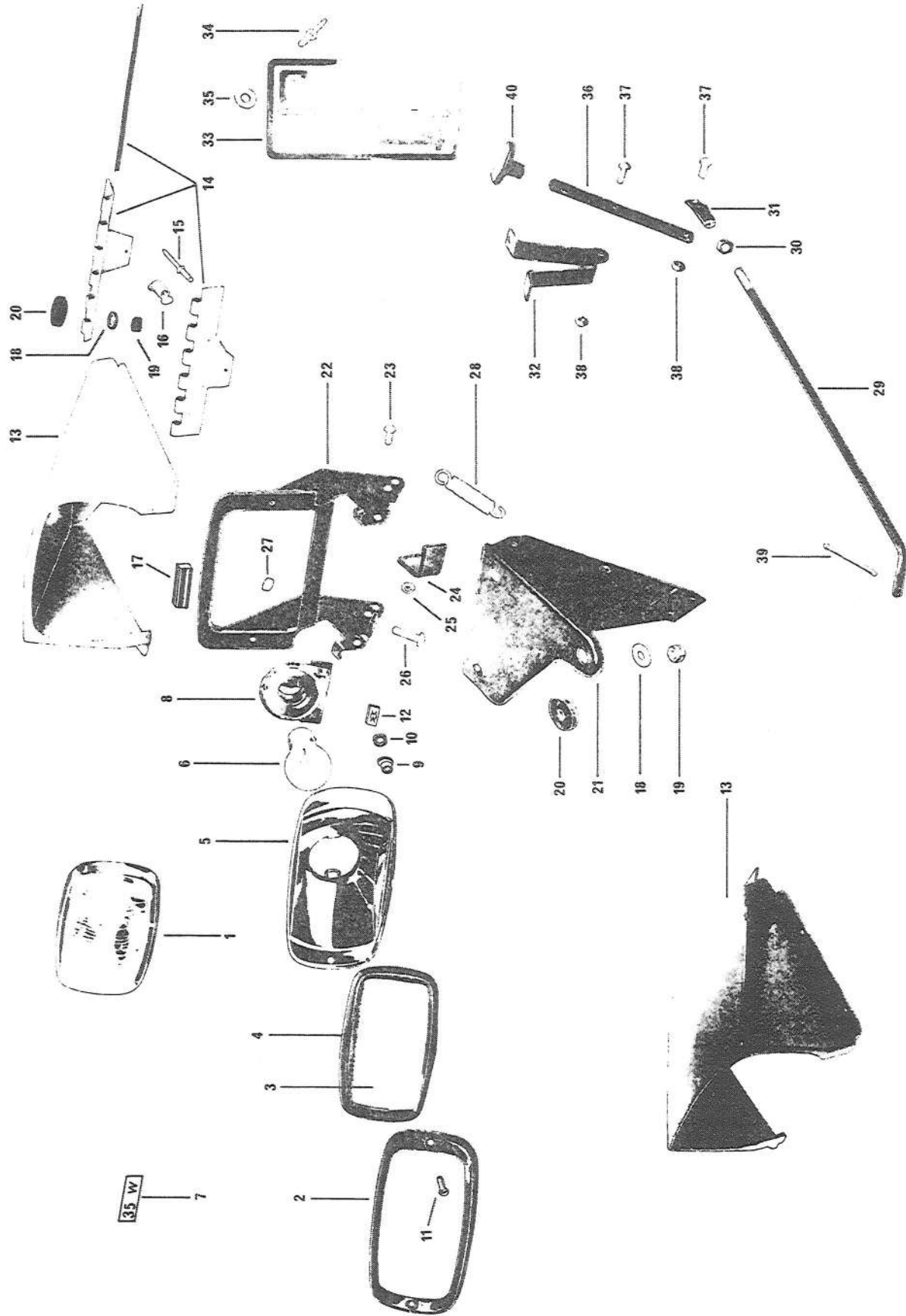
ELECTRICAL (OLYMPIC NORDIC)



ELECTRICAL (OLYMPIC NORDIC)

ITEM NO.	PART NO.	DESCRIPTION	QUANTITY		
			O 335E	N 399E	N 640E
1	410 1009	Ignition Switch	1	1	1
2	670 1503	Ignition Switch Boot	1	1	1
3	410 1008	Face Nut	1	1	1
4	410 1004	Headlight Switch	1	1	1
5	414 0251	Headlight Switch Knob	1	1	1
6	414 0345	Knob Decal	1	1	1
7	515 0183	Harness Ass'y	1		
7	515 0182	Harness Ass'y		1	
7	515 0195	Harness Ass'y			1
8	414 0341	Tachometer			1
9	414 0193	Speedometer			1
10	414 0194	Shock Absorber			1
11	414 0499	Speedo Outer Ring			1
12	414 0500	Speedo Inner Ring			1
13	414 0317	Lighter		1	1
14	410 9032	Rectifier W/Fuse	1	1	1
15	399 9015	Washer	2		
15	399 9018	Washer		2	2
16	386 9003	Nut	2		
16	387 3013	Nut		2	2
17	320 9061	Screw		2	2
18	410 6007	Tail Lamp Ass'y	1	1	1
19	410 9019	Tail Lamp Lens	1	1	1
20	410 5006	Tail Lamp Bulb	2	2	2
21	321 6046	Screw	2	2	2
22	389 8010	Nut	2	2	2
23	517 0096	Clip	1	1	1
24	515 0135	Battery Seat	1	1	1
25	410 3002	Battery	1	1	1
26	515 0156	Battery Cover	1	1	1
27	300 4026	Screw	2	2	2
28	387 0019	Nut	2	2	2
29	409 6006	Ground Wire	1	1	1
29	409 6007	Current Wire	1		
29	409 6023	Current Wire		1	1
30	321 7100	Screw	2	2	2
31	387 0019	Nut	2	2	2
32	410 3004	Battery Cap	6	6	6
33	360 5020	Bolt (N)	1	1	1
33	360 5050	Bolt (P)	1	1	1
34	386 4019	Wing Nut (N)	1	1	1
34	386 4022	Wing Nut (P)	1	1	1
35	109 5022	Wire Green 14 Ga. Mult. 12''	AR	AR	AR
36	409 6020	Wire Brown 16 Ga. Mult. 12''	AR	AR	AR
37	409 6025	Wire Red 14 Ga. Mult. 12''	AR	AR	AR
38	409 6022	Wire Yellow 16 Ga. Mult. 12''	AR	AR	AR
39	409 6021	Wire Black 16 Ga. Mult. 12''	AR	AR	AR
40	409 6028	Wire Red W/Stripped White 16 Ga. Mult 12.	AR	AR	AR
41	515 0102	Wire Clamp	1		
42	409 6029	Wire Red W/Stripped Violet 16 Ga. Mult. 12''		AR	AR
43	409 6024	Wire Violet 16 Ga. Mult 12''		AR	AR
44	410 5010	Speedometer Bulb		1	1
45	410 9038	Fuse Holder	1	1	1
46	414 0436	Wire (Lighter)		1	
46	414 0479	Wire (Lighter)			1
47	410 1010	Headlight Switch Face Nut	1	1	1
-	409 9001	Housing 3/16'' Ø Mult. 12''	AR	AR	AR
-	099 0004	Vinyl Tape	AR	AR	AR
-	570 1504	Pad Protector	1		
-	410 9040	Spirap Tubing Mult. 12''	AR	AR	AR
48	409 6019	Wire Yellow W/Stripped Red 16 Ga. Mult. 12''	AR	AR	AR

HEADLAMP (OLYMPIC)



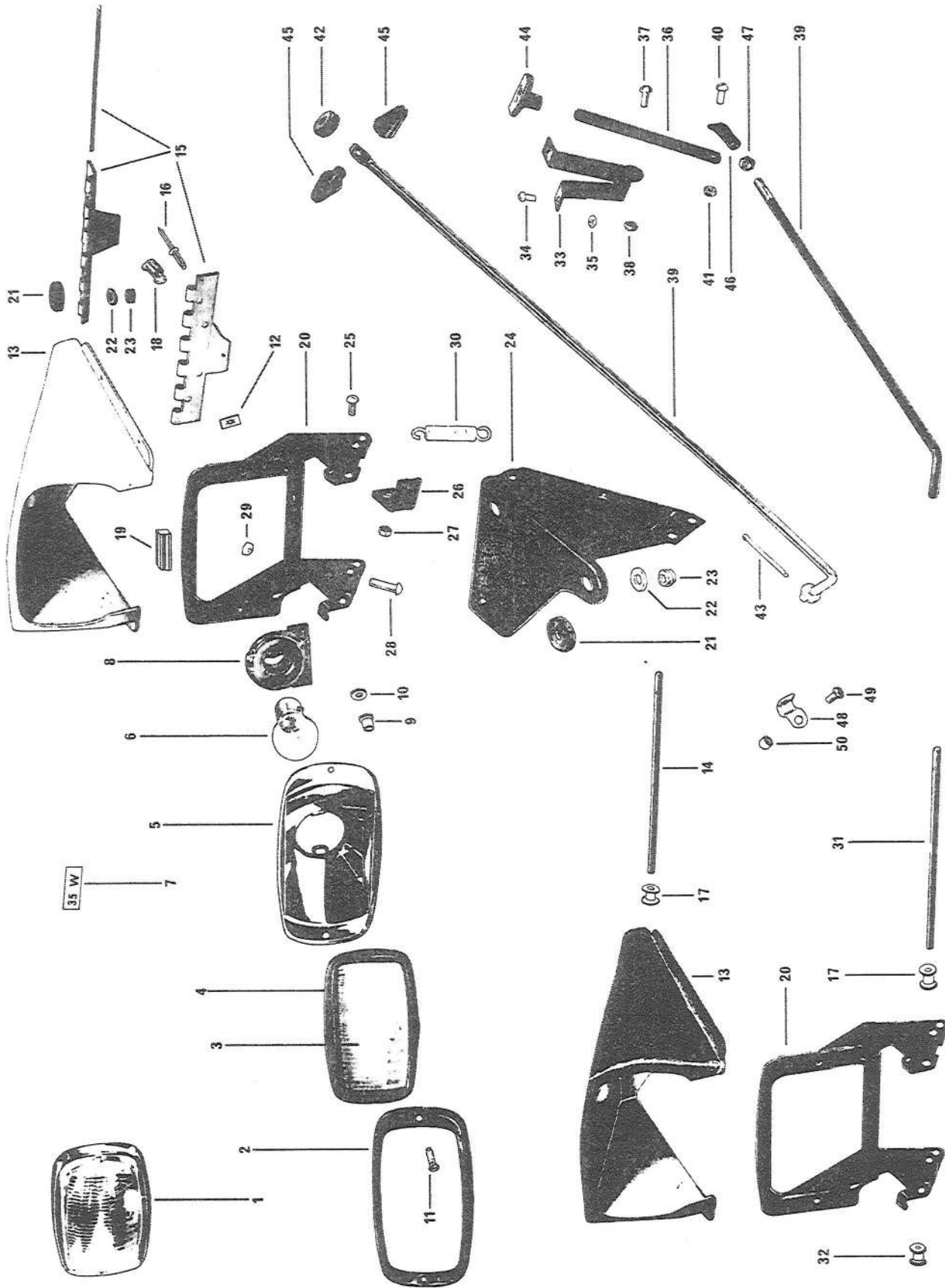
HEADLAMP (OLYMPIC)

ITEM NO.	PART NO.	DESCRIPTION	QUANTITY							
			12/3	335	335E	399	TNT 292	TNT 340	TNT 292S	TNT 340S
1	410 6010	Projector Ass'y	1	1	1	1	1	1	1	1
2	410 6012	Chromed Ring	1	1	1	1	1	1	1	1
3	410 6014	Glass	1	1	1	1	1	1	1	1
4	410 6013	Rubber Ring	1	1	1	1	1	1	1	1
5	C.S.A.	Reflector	1	1	1	1	1	1	1	1
6	410 5009	Bulb 35W	1	1	1		1	1	1	1
6	410 5011	Bulb 60W				1				
7	414 0280	Label 35W	1	1	1		1	1	1	1
7	414 0476	Label 60W				1				
8	410 6015	Socket	1	1	1	1	1	1	1	1
9	C.S.A.	Blank	2	2	2	2	2	2	2	2
10	C.S.A.	Washer	2	2	2	2	2	2	2	2
11	410 6011	Screw	2	2	2	2	2	2	2	2
12	389 8010	Nut	2	2	2	2	2	2	2	2
13	571 1733	Head Lamp Housing		1	1	1				
13	571 1760	Head Lamp Housing						1		1
14	582 1016	Hinge		1	1	1		1		1
15	390 4013	Rivet		4	4	4		4		4
16	414 0229	Housing Spring		1	1	1		1		1
17	107 7002	Spacer Strip (Mult. 12")		AR	AR	AR		AR		AR
18	399 9008	Washer		5	5	5		5		5
19	387 5019	Nut		5	5	5		5		5
20	570 1711	Insulator Rubber		10	10	10		10		10
21	515 0174	Head Lamp Support Bracket		1	1	1		1		1
22	515 0142	Head Lamp Ring		1	1	1		1		1
23	320 1062	Screw		1	1	1		1		1
23	320 1061	Screw		1	1	1		1		1
24	515 0157	Stop Bracket		1	1	1		1		1
25	387 3013	Nut		2	2	2		2		2
26	321 7103	Adjustment Screw		1	1	1		1		1
27	380 9019	Nut		1	1	1		1		1
28	414 0246	Head Lamp Spring		1	1	1		1		1
29	515 0188	Control Rod		1	1	1		1		1
30	380 9019	Nut		1	1	1		1		1
31	515 0189	Adjuster Tube		1	1	1		1		1
32	515 0190	Control Bracket		1	1	1		1		1
33	414 0326	Guide Plate		1	1	1		1		1
34	390 4003	Pop Rivet		4	4	4		4		4
35	399 9001	Flat Washer		4	4	4		4		4
36	515 0191	Control Lever		1	1	1		1		1
37	320 1063	Screw		2	2	2		2		2
38	387 3013	Nut		2	2	2		2		2
39	371 0011	Cotter Pin		2	2	2		2		2
40	414 0054	Control Knob		1	1	1		1		1

Symbol "C.S.A.": Part numbers coded "C.S.A." are for components superseded by complete. Individual parts are no longer available.

Symbole "C.S.A.": Les numéros de pièces avec le code "C.S.A." sont pour les pièces utilisées pour fabriquer une assemblée qui n'est plus disponible. Ces pièces sont remplacées par l'assemblée complète

HEADLAMP (NORDIC)



HEADLAMP (NORDIC)

ITEM NO.	PART NO.	DESCRIPTION	QUANTITY						
			399	399E	640E	TNT 399	TNT 840	TNT 399S	TNT 640S
1	410 6010	Projector Ass'y	1	1	1	1	1	1	1
2	410 6012	Chromed Ring	1	1	1	1	1	1	1
3	410 6014	Glass	1	1	1	1	1	1	1
4	410 6013	Rubber Ring	1	1	1	1	1	1	1
5	C.S.A.	Reflector	1	1	1	1	1	1	1
6	410 5009	Bulb 35W	1	1	1		1	1	1
6	410 5011	Bulb 60W				1			
7	414 0280	Label 35W	1	1	1		1	1	1
7	414 0476	Label 60W				1			
8	410 6015	Socket	1	1	1	1	1	1	1
9	C.S.A.	Blank	2	2	2	2	2	2	2
10	C.S.A.	Washer	2	2	2	2	2	2	2
11	410 6011	Screw	2	2	2	2	2	2	2
12	389 8010	Nut	2	2	2	2	2	2	2
13	572 1703	Head Lamp Housing	1	1					
13	571 1733	Head Lamp Housing			1				
13	571 1760	Head Lamp Housing				1	1	1	1
14	517 0212	Hinge Pin	1	1					
15	582 1016	Hinge Ass'y			1	1	1	1	1
16	390 4013	Rivet			4	4	4	4	4
17	570 1750	Grommet W/Groove	3	3					
18	414 0229	Housing Spring	1	1	1	1	1	1	1
19	107 7002	Spacer Strip (Mult 12'')	AR	AR	AR	AR	AR	AR	AR
20	515 0214	Head Lamp Ring	1	1					
20	515 0142	Head Lamp Ring			1	1	1	1	1
21	570 1711	Insulator Rubber			5	5	5	5	5
22	399 9008	Washer			5	5	5	5	5
23	387 5019	Nut			5	5	5	5	5
24	515 0174	Head Lamp Support			1	1	1	1	1
25	320 1062	Screw			1	1	1	1	1
25	320 1061	Screw			1	1	1	1	1
26	515 0157	Stop Bracket			1	1	1	1	1
27	387 3013	Nut			2	2	2	2	2
28	321 7103	Adjustment Screw			1	1	1	1	1
29	380 9019	Nut			1	1	1	1	1
30	414 0497	Head Lamp Spring	1	1					
30	414 0246	Head Lamp Spring			1	1	1	1	1
31	517 0188	Hinge Pin	1	1					
32	414 0512	Grommet	1	1					
33	515 0190	Control Bracket	1	1	1				
34	323 3061	Screw	2	2	2				
35	387 3013	Nut	2	2	2				
36	515 0191	Control Lever	1	1	1				
37	320 1063	Screw	1	1	1				
38	387 3013	Nut	1	1	1				
39	515 0173	Control Rod	1	1	1				
39	517 0168	Control Rod				1	1	1	1
40	320 1063	Screw	1	1	1				
41	387 3013	Nut	1	1	1				
42	414 0363	Grommet				1	1	1	1
43	371 0011	Cotter Pin	2	2	2	1	1	1	1
44	414 0054	Control Knob	1	1	1				
45	414 0295	Control Knob (Male)				1	1	1	1
45	414 0294	Control Knob (Female)				1	1	1	1
46	515 0149	Adjuster Tube	1	1	1				
47	380 9019	Nut	1	1	1				
48	517 0096	Clip			1	1	1	1	1
49	320 1061	Screw			1	1	1	1	1
50	386 7002	Nut			1	1	1	1	1



TNT 775s

1970

REFER TO TNT 640s

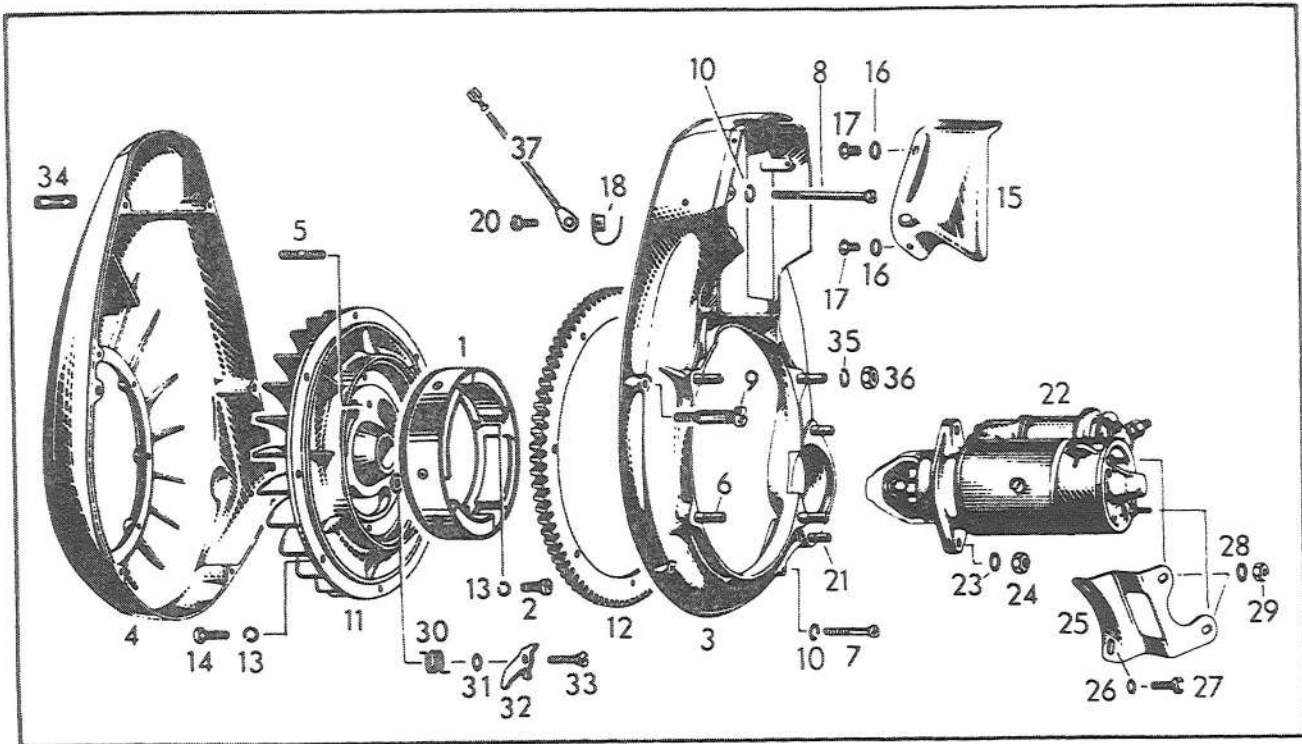


CRANKCASE, FAN COWL

ITEM NO.	PART NO.	DESCRIPTION	QUANTITY			
			292	300	335	340
17	402 0018	Hex. Nut M8	4	4	4	4
18	402 0028	Cable Grommet, Ignition Cable (Engine Without Electric Starter)	1	1	1	1
18	402 4157	Cable Grommet, Ignition Cable (Engine With Electric Starter)			1	
19	402 0141	Labyrinth Ring	1	1	1	1
20	402 0040	Cyl. Screw M6 x 10	4	4	4	4
21	402 5001	Cyl. Screw M5 x 16, Armature Plate	3	3		
21	409 2009	Stud M5 x 11.5, Armature Plate			3	3
22	402 4024	Lock Washer 5	3	3		
22	402 4133	Washer 5.3			3	3
23	402 4022	Washer 5.3	3	3		
23	402 0105	Lock Nut M5			3	3
24-25-26	402 0137	Fan Cowl Ass'y	1	1	1	1
25	402 2002	Stud M8 x 25	4	4	4	4
26	402 0100	Plastic Baffle	1	1	1	1
27	402 0094	Air Deflector	1	1	1	
28	402 3037	Spring Washer B5	2	2	2	
29	402 5045	Flat Headed Screw M5 x 8	2	2	2	
30	402 0061	Cable Clamp	1	1	1	1
31	402 0197	Mass Cable Ass'y. Yellow, 130mm	1	1	1	1
32	402 0057	Cyl. Screw M3 x 16	1	1	1	1
33	402 0092	Direction Plate	1	1	1	1
34	402 0018	Hex. Nut M8	4	4	4	4

292 FOR TNT 292
 300 FOR OLYMPIC 12/3
 335 FOR OLYMPIC 335-335E
 340 FOR TNT 340

ELECTRIC STARTER, FAN COWL AND FAN

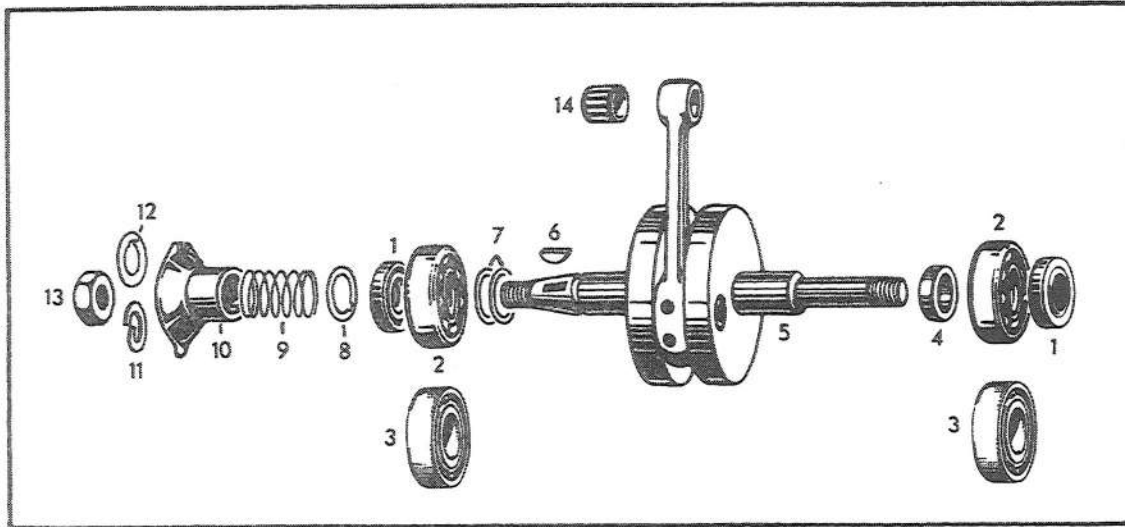


ITEM NO.	PART NO.	DESCRIPTION	QUANTITY
			335E
1	402 4167	Magneto Ring	1
2	402 2208	Cyl. Screw W. Int. Hex. M6 x 14	4
3-4-6-10	402 0143	Fan Cowl Ass'y	1
3	402 0144	Fan Cowl	1
4	402 0099	Cover, Fan Cowl	1
5	402 4089	Stud M6 x 15, Starting Pulley	2
6	402 2002	Stud M8 x 25	4
7	402 0069	Cyl. Screw M6 x 28	3
8	402 0145	Cyl. Screw M6 x 73	1
9	402 0070	Hex. Fit Bolt M6	2
10	402 0015	Lock Washer 6	4
11	402 0102	Fan Ass'y	1
12	402 4011	Gear Wheel 101t	1
13	402 0015	Lock Washer 6, Gear Wheel	8
		Magneto Ring	4
14	402 5012	Hex. Screw M6 x 15	8
15	402 0094	Air Deflector	1
16	402 3037	Spring Washer B5	2
17	402 5045	Flat Headed Screw M5 x 8	2
18	402 0061	Cable Clamp	1
20	402 0057	Cyl. Screw M3 x 16	1
21	402 2003	Stud M8 x 18	2
22	402 4005	Electric Starter Ass'y	1
23	402 0016	Lock Washer 8	2
24	402 0134	Hex. Nut M8	2

BOMBARDIER LTD./LTEE

ITEM NO.	PART NO.	DESCRIPTION	QUANTITY
			335E
25	402 0103	Starter Bracket	1
26	402 0104	Washer 6,2	2
27	402 5012	Hex. Screw M6 x 16, Starter Bracket On Crankcase	2
28	402 4022	Washer 5,3	2
29	402 0105	Lock Nut M5	2
30	402 4096	Spring Centrifugal Weight	1
31	402 7001	Washer 6,2	1
32	402 0146	Centrifugal Weight	1
33	402 4094	Bearing Screw M6	1
34	402 0092	Direction Plate	1
35	402 0016	Lock Washer 8	4
36	402 0018	Hex. Nut M8	4
37	402 0197	Mass Cable Ass'y, Yellow, 130mm	1

CRANKSHAFT, BEARINGS



ITEM NO.	PART NO.	DESCRIPTION	QUANTITY	
			292 300	335 340
1	402 1002	Oil Seal,	2	2
2	402 1005	Deep Groove Ball Bearing	2	
3	402 1124	Roller Bearing		2
4	402 1012	Distance Sleeve	1	
5	402 1030	Crankshaft Ass'y	1	
5	402 1125	Crankshaft Ass'y		1
6	402 1010	Key 5 x 6, 5	1	1
7	402 1023	Shim 0,2mm	As req'd	As Req'd
	402 1024	Shim 0,3mm	"	"
	402 1025	Shim 0,5mm	"	"
	402 1026	Shim 1,0mm	"	"
	402 1126	Shim 0,1mm	"	"
8	402 1035	Washer, Cam Spring	1	1
9	402 1036	Spring, Breaker Cam	1	1
10	402 1127	Breaker Cam	1	1
11	402 1095	Lock Washer 18, Engine With Electric Starter 335		1
12	402 1040	Lock Washer, Engine Without Electric Starter	1	1
13	402 1043	Hex. Nut M18 x 1,5	1	1
14	402 1033	Needle Cage	1	1

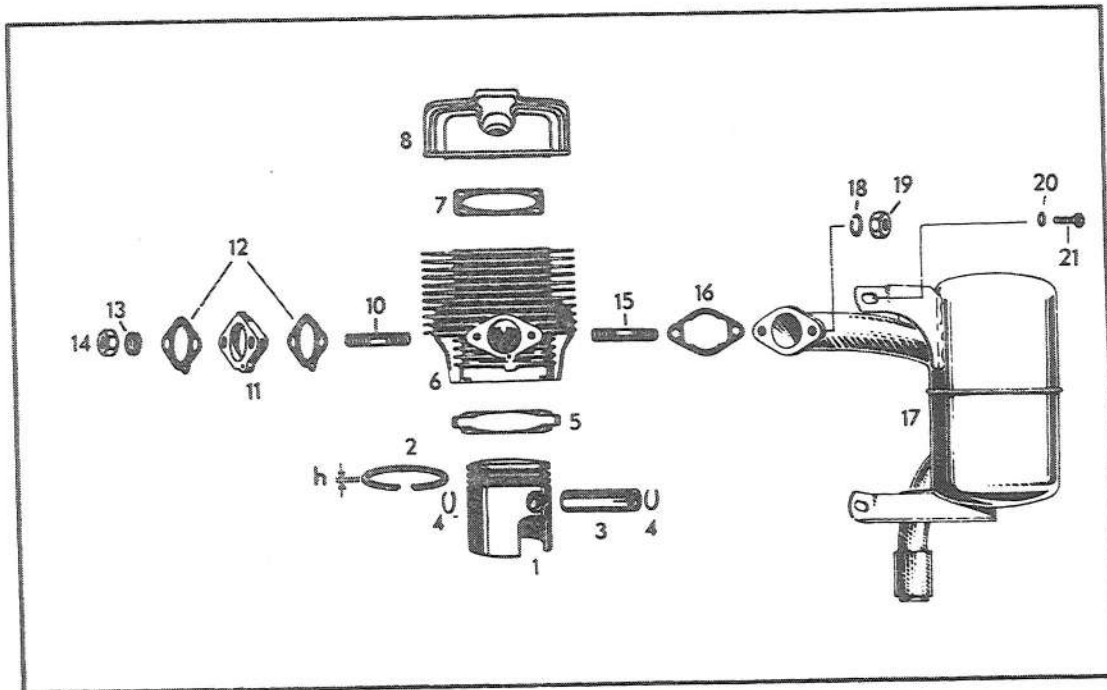
292 FOR TNT 292
 300 FOR OLYMPIC 12/3
 335 FOR OLYMPIC 335-335E
 340 FOR TNT 340

GENERAL LAYOUT DRAWING



ITEM NO.	DESCRIPTION	QTY	UNIT
1	Case	1	EA
2	Shaft	1	EA
3	Compressor Wheel	1	EA
4	Turbine Wheel	1	EA
5	Compressor Inlet Guide Vanes	1	EA
6	Turbine Inlet Guide Vanes	1	EA
7	Compressor Inlet Vanes	1	EA
8	Turbine Inlet Vanes	1	EA
9	Compressor Inlet Vanes	1	EA
10	Turbine Inlet Vanes	1	EA
11	Compressor Inlet Vanes	1	EA
12	Turbine Inlet Vanes	1	EA
13	Compressor Inlet Vanes	1	EA
14	Turbine Inlet Vanes	1	EA
15	Compressor Inlet Vanes	1	EA
16	Turbine Inlet Vanes	1	EA
17	Compressor Inlet Vanes	1	EA
18	Turbine Inlet Vanes	1	EA
19	Compressor Inlet Vanes	1	EA
20	Turbine Inlet Vanes	1	EA
21	Compressor Inlet Vanes	1	EA
22	Turbine Inlet Vanes	1	EA
23	Compressor Inlet Vanes	1	EA
24	Turbine Inlet Vanes	1	EA
25	Compressor Inlet Vanes	1	EA
26	Turbine Inlet Vanes	1	EA
27	Compressor Inlet Vanes	1	EA
28	Turbine Inlet Vanes	1	EA
29	Compressor Inlet Vanes	1	EA
30	Turbine Inlet Vanes	1	EA
31	Compressor Inlet Vanes	1	EA
32	Turbine Inlet Vanes	1	EA
33	Compressor Inlet Vanes	1	EA
34	Turbine Inlet Vanes	1	EA
35	Compressor Inlet Vanes	1	EA
36	Turbine Inlet Vanes	1	EA
37	Compressor Inlet Vanes	1	EA
38	Turbine Inlet Vanes	1	EA
39	Compressor Inlet Vanes	1	EA
40	Turbine Inlet Vanes	1	EA
41	Compressor Inlet Vanes	1	EA
42	Turbine Inlet Vanes	1	EA
43	Compressor Inlet Vanes	1	EA
44	Turbine Inlet Vanes	1	EA
45	Compressor Inlet Vanes	1	EA
46	Turbine Inlet Vanes	1	EA
47	Compressor Inlet Vanes	1	EA
48	Turbine Inlet Vanes	1	EA
49	Compressor Inlet Vanes	1	EA
50	Turbine Inlet Vanes	1	EA

CYLINDER, PISTON, MUFFLER



ITEM NO.	PART NO.	DESCRIPTION	QUANTITY	
			300	335
1-2	402 1057	Piston With 3 Rings, 76.0 ϕ Std.	1	
	402 1058	Piston With 3 Rings, 76.5 ϕ 1st Oversize	1	
	402 1091	Piston With 3 Rings, 77.0 ϕ 2nd Oversize	1	
	402 1145	Piston With 3 Rings, 77.5 ϕ 3rd. Oversize	1	
	402 1159	Piston With 3 Rings, 78.0 ϕ 4th. Oversize	1	
	402 1190	Piston With Rings 78.0 ϕ Std.		1
	402 1191	Piston With Rings. 78.5 ϕ 1st. Oversize		1
2	402 1092	Rectangular Ring 76.0 ϕ Std. (h = .08 in.)	3	
	402 1093	Rectangular Ring 76.5 ϕ 1st Oversize (h = .08in.)	3	
	402 1094	Rectangular Ring 77.0 ϕ 2nd. Oversize (h = .08 in.)	3	
	402 1157	Rectangular Ring 77.5 ϕ 3rd. Oversize (h = .08 in)	3	
	402 1188	Rectangular Ring 78.0 ϕ 4th. Oversize (h = .08 in)	3	
	402 1171	Rectangular Ring 78.0 ϕ Std.		2
	402 1172	Rectangular Ring 78.5 ϕ 1st Oversize		2
3	402 1064	Gudgeon Pin	1	1
4	402 1067	Circlip, Gudgeon Pin	2	2
5	402 2008	Gasket, Cylinder Flange	1	
5	402 2123	Gasket, Cylinder Flange		1
6	402 2014	Cylinder Without Studs	1	
6	402 2196	Cylinder With Sleeve		1
7	402 2031	Gasket, Cylinder Head	1	
7	402 2101	Gasket, Cylinder Head		1
8	402 2152	Cylinder Head.	1	
8	402 2197	Cylinder Head.		1
10	402 2002	Stud M8 x 25	2	2
11	402 2131	Isolating Flange	1	1
12	404 0039	Tillotson Carburetor Flange Gasket	2	2

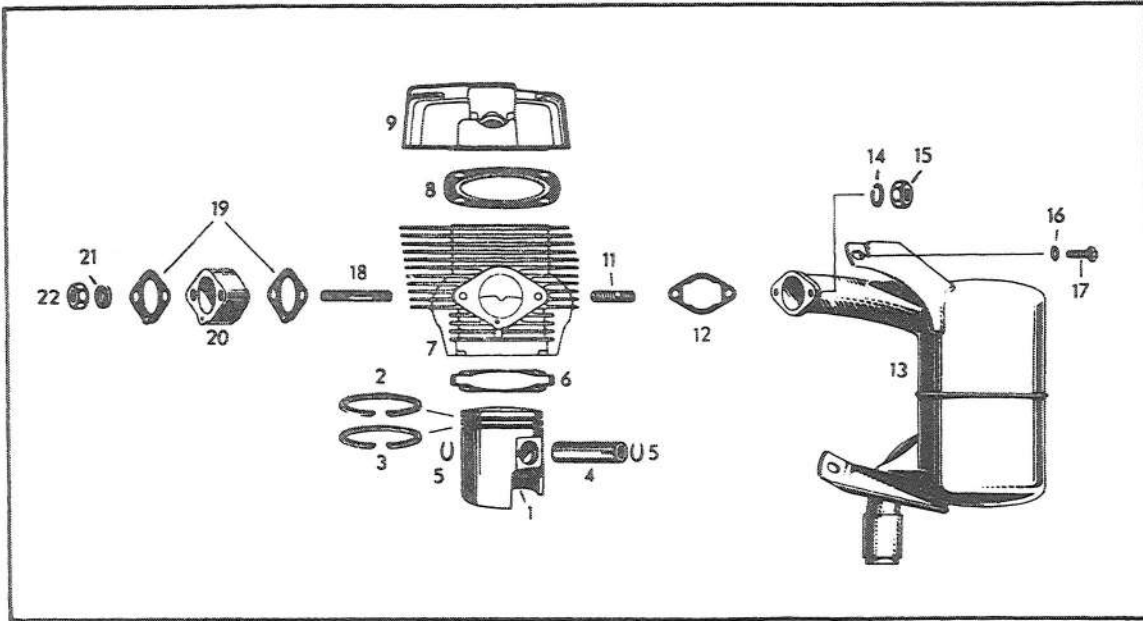
BOMBARDIER LTD./LTEE

CYLINDER, PISTON, MUFFLER

ITEM NO.	PART NO.	DESCRIPTION	QUANTITY	
			300	335
13	402 2072	Isolating Washer	2	2
14	402 0018	Hex. Nut M8	2	2
15	402 2037	Stud M8 x 19.5	2	
15	402 2038	Stud M8 x 19		2
16	402 2043	Gasket, Muffler	1	
16	402 2089	Gasket, Exhaust Flange		1
17	402 2121	Muffler Ass'y	1	
17	402 2119	Muffler Ass'y		1
18	402 0016	Lock Washer 8	2	2
19	402 0018	Hex. Nut M8	2	2
20	402 0031	Washer	1	1
21	402 2001	Hex. Screw M8 x 20	1	1

300 FOR OLYMPIC 12/3
335 FOR OLYMPIC 335-335E

CYLINDER, PISTON, MUFFLER



ITEM NO.	PART NO.	DESCRIPTION	QUANTITY	
			292	340
1-2-3	402 1161	Piston With Rings 75.0 ϕ Std.	1	
	402 1166	Piston With Rings 75.5 ϕ 1st. Oversize	1	
	402 1168	Piston Ass'y With Rings 78.0 ϕ std.		1
	402 1173	Piston Ass'y With Rings 78.5 ϕ 1st Oversize		1
2	402 1162	L-Ring 75.0 ϕ Std.	1	
	402 1163	L-Ring 75.5 ϕ 1st Oversize	1	
	402 1169	L-Ring 78.0 ϕ Std.		1
	402 1170	L-Ring 78.5 ϕ 1st Oversize		1
3	402 1164	Rectangular Ring 75.0 ϕ Std.	1	
	402 1165	Rectangular Ring 75.5 ϕ 1st Oversize	1	
	402 1171	Rectangular Ring 78.0 ϕ Std.		1
	402 1172	Rectangular Ring 78.5 ϕ 1st Oversize		1
4	402 1064	Gudgeon Pin	1	1
5	402 1067	Circlip	2	2
6	402 2088	Gasket, Cylinder Flange	1	
6	402 2123	Gasket, Cylinder Flange		1
7	402 2186	Cylinder With Sleeve	1	
7	402 2187	Cylinder With Sleeve		1
8	402 2220	Gasket, Cylinder Head	1	
8	402 2101	Gasket, Cylinder Head		1
9	402 2173	Cylinder Head	1	
9	402 2175	Cylinder Head		1
11	402 2038	Stud M8 x 19	2	2
12	402 2089	Gasket, Exhaust Flange	1	
12	402 2100	Gasket, Exhaust Flange		1
13	402 2119	Muffler Ass'y	1	
13	402 2198	Muffler Ass'y		1
14	402 0016	Lock Washer 8	2	2
15	402 0018	Hex Nut M8	2	2

BOMBARDIER LTD./LTEE

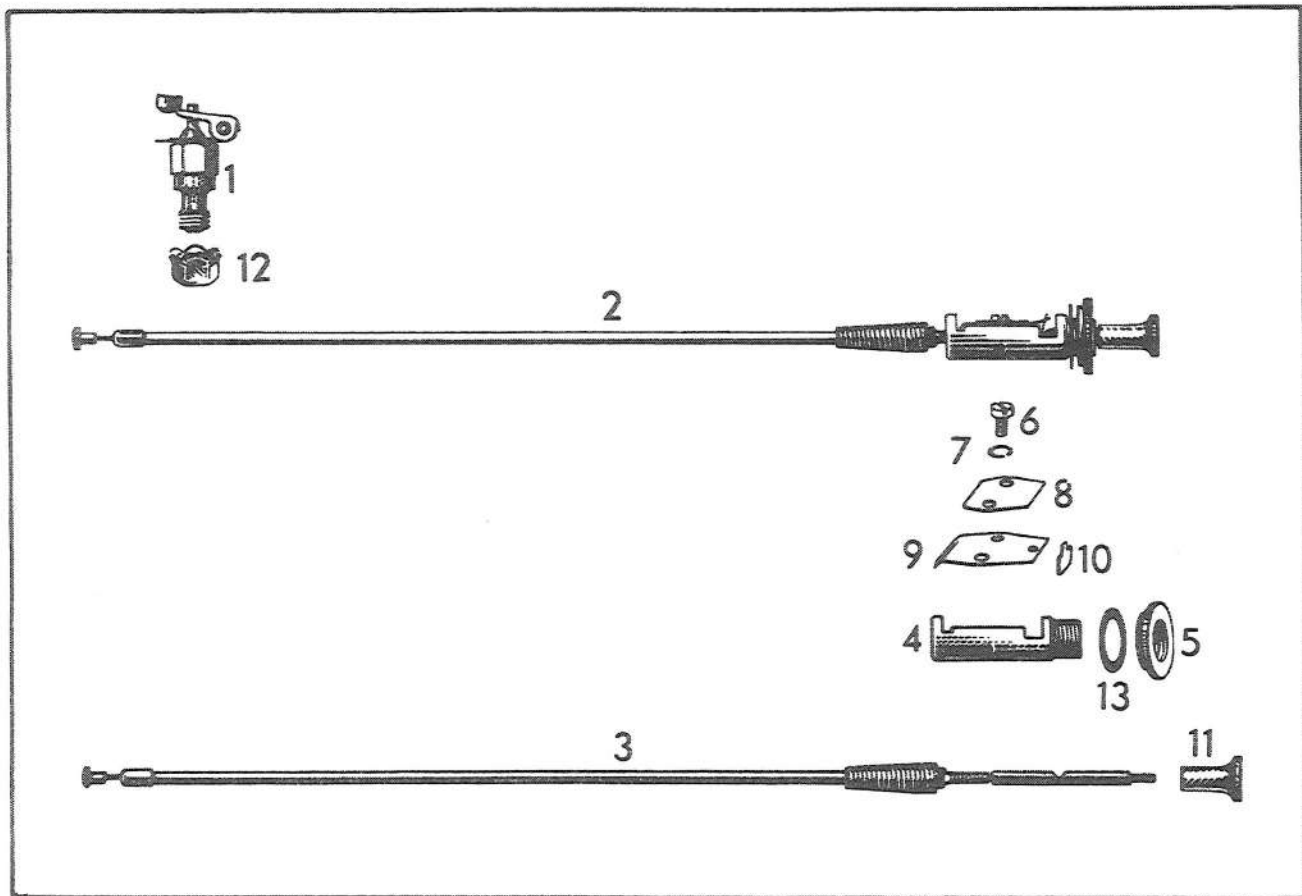
CYLINDER, PISTON, MUFFLER

ITEM NO.	ITEM NO.	DESCRIPTION	QUANTITY	
			292	340
16	402 0031	Washer	1	1
17	402 2001	Hex. Screw M8 x 20	1	1
18	402 2159	Stud M8 x 41	2	2
19	404 0212	Tillotson Carburetor Flange Gasket	2	2
20	402 2171	Isolating Flange 20mm Thick	1	1
21	402 2072	Isolating Washer	2	2
22	402 0018	Hex. Nut M8	2	2

292 FOR TNT 292
340 FOR TNT 340

ITEM NO.	DESCRIPTION	QTY	UNIT
16	Washer	1	
17	Hex. Screw M8 x 20	1	
18	Stud M8 x 41	2	
19	Tillotson Carburetor Flange Gasket	2	
20	Isolating Flange 20mm Thick	1	
21	Isolating Washer	2	
22	Hex. Nut M8	2	

DECOMPRESSOR

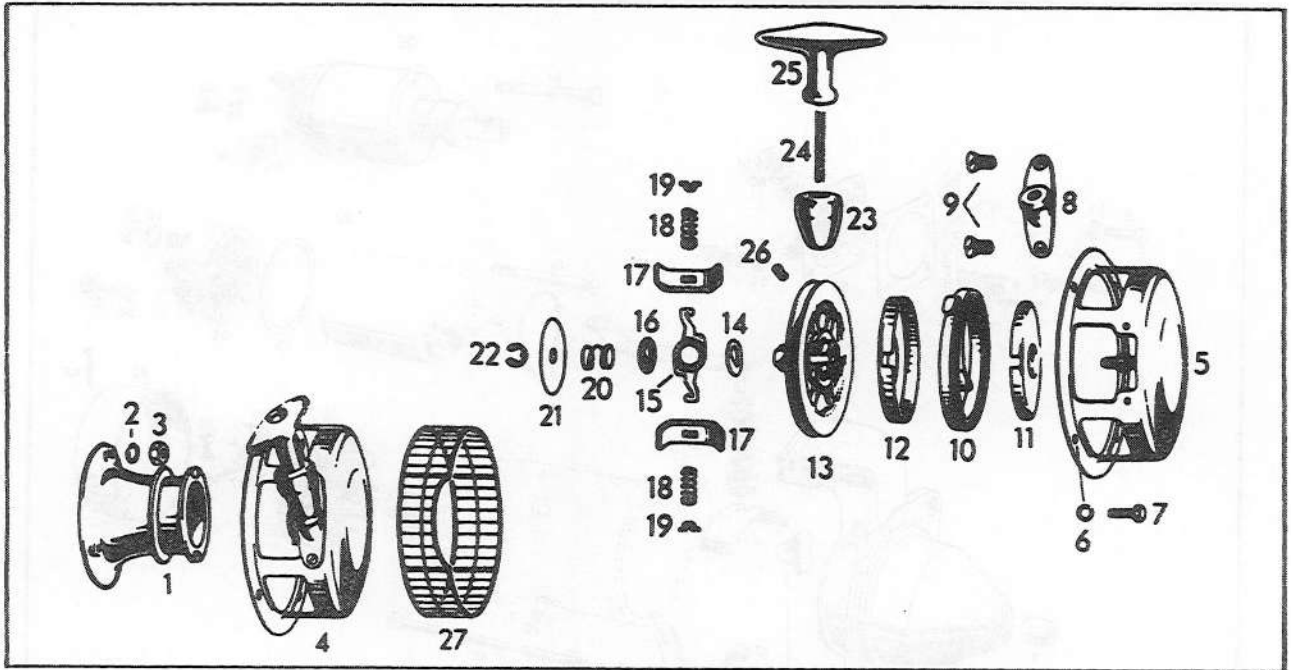


ITEM NO.	PART NO.	DESCRIPTION	QUANTITY	
			300	335
1	402 6004	Decompressor Ass'y		1
2	402 6017	Decompressor Switch Ass'y With Cable 320/372mm		1
3	402 6006	Switch Bolt With Cable 320/372mm		1
4-5-13	402 6005	Switch Housing With Washer And Nut		1
5	402 6014	Knurled Nut M16 x 1		1
6	402 6011	Cyl. Screw M4 x 7		2
7	402 4023	Lock Washer 4		2
8	402 6010	Reinforcement Spring		2
9	402 6008	Switch Spring		1
10	402 6009	Lock Spring		1
11	402 6018	Switch Button		1
12	402 6015	Locking And Sealing Sleeve		1
13	402 6016	Washer		1

300 FOR OLYMPIC 12/3
335 FOR OLYMPIC 335-335E

BOMBARDIER LTD./LTEE

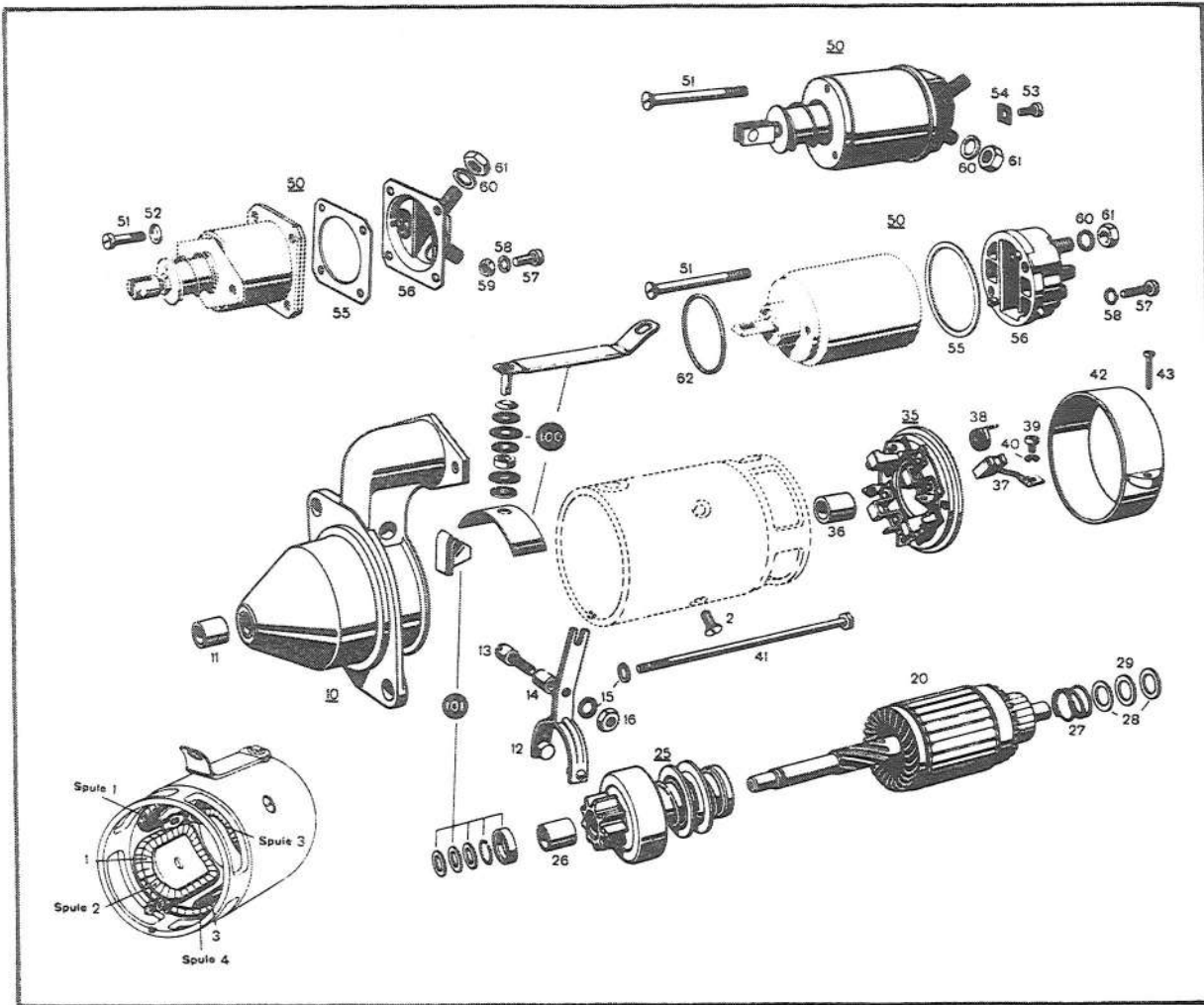
STARTING PULLEY, REWIND STARTER



ITEM NO.	PART NO.	DESCRIPTION	QUANTITY
			292 300 335 340
1	402 5003	Starting Pulley	1
2	402 0015	Lock Washer 6	3
3	402 2053	Hex. Nut M6	3
4	402 5005	Rewind Starter Ass'y	1
5	402 5035	Starter Housing	1
6	402 0015	Lock Washer 6	4
7	402 5012	Hex. Screw M6 x 15	4
8	402 5036	Starter Stop	1
9	402 5037	Countersunk Screw M5 x 8	2
10-11-12	402 5023	Spring Cartridge Ass'y	1
10	402 5022	Rewind Spring	1
11	402 5038	Spring Guide	1
12	402 5044	Cover Spring Guide	1
13	265 2003	Rope Sheave	1
14	402 5026	D-Washer	1
15	402 5028	Pivot Arm	1
16	402 5027	Friction Washer	1
17	402 5029	Pawl	2
18	402 5030	Pawl Spring	2
19	402 5031	Pawl Spring Stop	2
20	402 5032	Friction Spring	1
21	402 5033	Washer	1
22	402 5034	Circlip	1
23	402 5039	Rubber Buffer	1
24-25	402 5017	Starter Rope With Grip	1
24	402 5018	Starter Rope 1200mm	1
25	402 5019	Starter Grip	1
26	402 5016	Bolt 5/8 x 6mm, Starter Rope	1
27	402 5042	Protection Sieve	1

BOMBARDIER LTD./LTÉE

ELECTRIC STARTER, SPARE PARTS



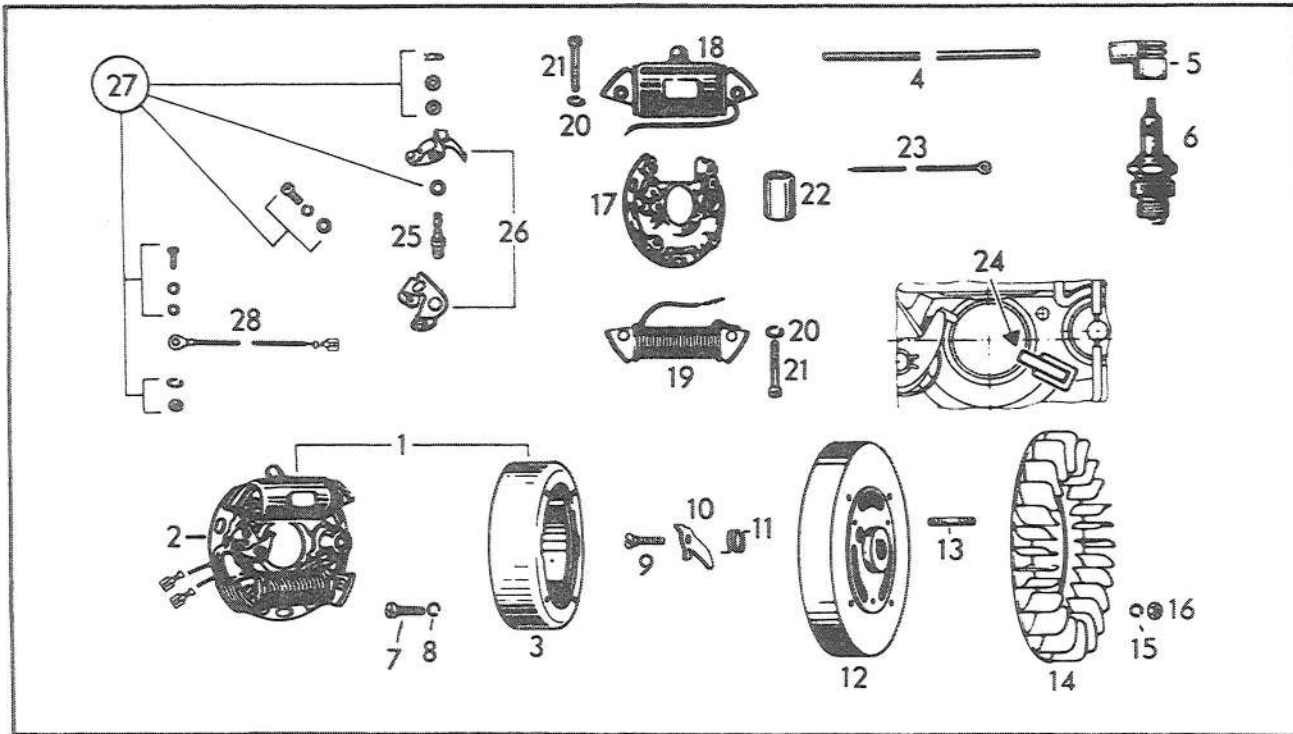
ITEM NO.	PART NO.	DESCRIPTION	QUANTITY
			335E
1	402 7052	Field Winding, Coils 1 & 2	1
1	402 7053	Field Winding, Coils 3 & 4	1
2	402 7020	Countersunk Screw M6 x 10	4
2	402 7073	Countersunk Screw M8 x 10	4
3	402 7069	Connecting Rail	1
10-11	402 7050	Drive End Bracket Ass'y	1
11	402 7023	Bearing Bushing	1
12	402 7025	Engaging Lever	1
13	402 7026	Screw M5	1
14	402 7027	Bushing	1
15	402 4024	Lock Washer 5	3
16	402 7049	Hex. Nut M5	1
20	402 7056	Armature	1
25-26	402 7029	Drive Ass'y	1
26	402 7024	Bearing Bushing	2
27	402 7030	Helical Spring, Armature Brake	1

BOMBARDIER LTD./LTEE

ELECTRIC STARTER, SPARE PARTS

ITEM NO.	PART NO.	DESCRIPTION	QUANTITY
			335E
28	402 7032	Washer 10,3	2
29	402 7033	Isolating Washer 10,3	1
35	402 7034	Commutator End Bracket Ass'y	1
36	402 7023	Bearing Bushing	1
37	402 7035	Carbon Brush Set, 4 Pieces	1
38	402 7031	Carbon Brush Spring	4
39A	402 7036	Cyl. Screw M4 x 8	2
39B	402 7037	Cyl. Screw M4 x 6	2
40	402 4023	Lock Washer 4	4
41	402 7048	Screw M5	2
42	402 7040	Closing Band	1
43	402 2158	Cyl. Screw M4 x 16	1
50	402 7041	Relay Ass'y	1
51	402 7042	Countersunk Screw M5 x 50	3
53	402 7036	Cyl. Screw M4 x 8	1
54	402 7043	Plate	1
60	402 0016	Lock Washer 8	1
61	402 7044	Hex. Nut M8	1
100	402 7045	Parts Set For Terminal	1
101	402 7046	Parts Set For Armature	1

MAGNETO GENERATOR 12V 40W



ITEM NO.	PART NO.	DESCRIPTION	QUANTITY		
			292	300	330 340
1	402 4195	Magneto Generator Ass'y 12V 40W			1
2	402 4202	Armature Plate Ass'y			1
3	402 4019	Magneto Ring			1
4	402 4106	Ignition Cable 480mm			1
5	402 4076	Spark Plug Protector			1
6	402 4080	Spark Plug M280 T31 (Engines Types 290 and 340)			1
6	402 4079	Spark Plug M240 T1 (Engines Types 300 and 335)			1
7	402 4027	Cyl. Screw W. Int. Hex. M6 x 22			4
8	402 0015	Lock Washer 6			4
9	402 4094	Screw M6, Bearing Centrifugal Weight			1
10	402 0146	Centrifugal Weight			1
11	402 4096	Spring, Centrifugal Weight			1
12	402 4032	Magneto Housing			1
9-12	402 4105	Magneto Housing Ass'y			1
13	402 4089	Stud M6 x 15, Starting Pulley			2
14	402 4034	Fan			1
15	402 0015	Lock Washer 6			4
16	402 2053	Hex. Nut M6			4
17	402 4037	Armature Plate Alone			1
18	402 4040	Ignition Coil			1
19	402 4194	Lighting Coil With Cable And Connector			1
20	402 4024	Lock Washer 5			4
21	402 4048	Cyl. Screw M5 x 28			4
22	402 4068	Condenser			1
23	402 4070	Cable, Condenser			1

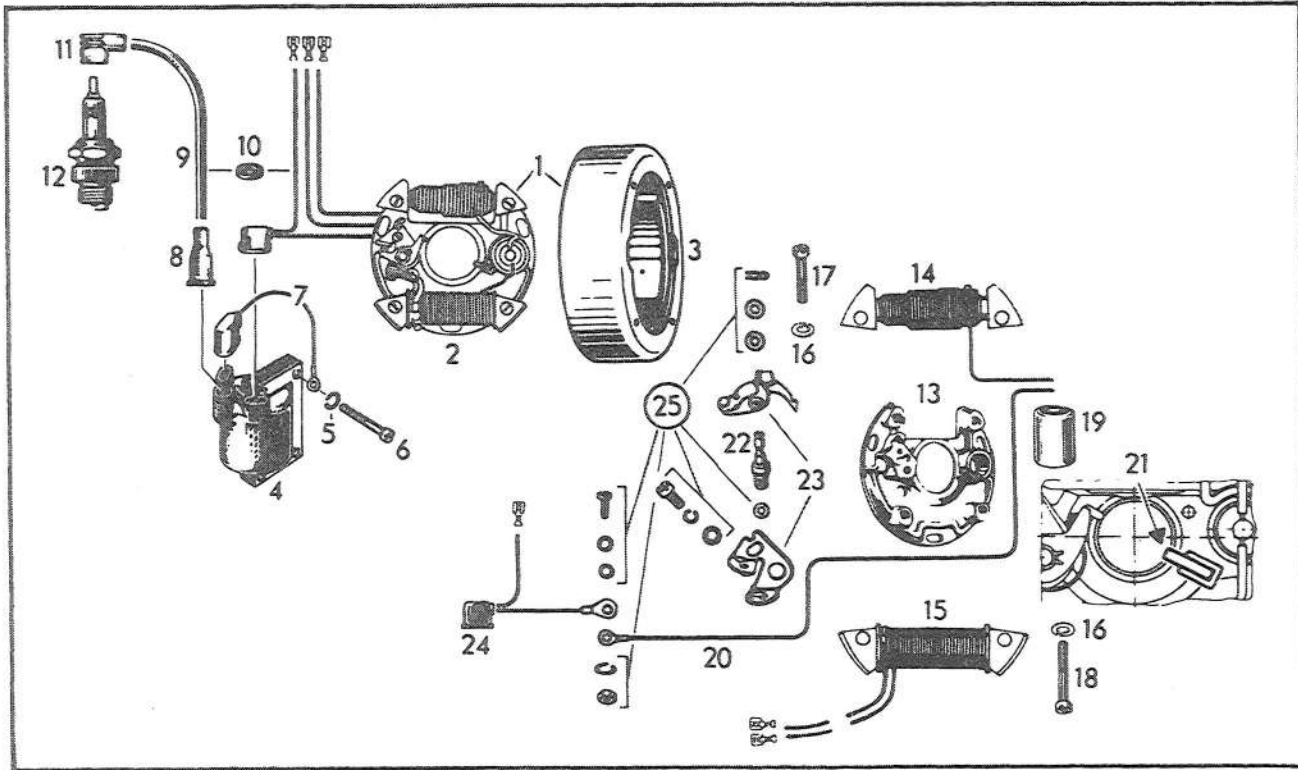
BOMBARDIER LTD./LTEE

MAGNETO GENERATOR 12V 40W

ITEM NO.	PART NO.	DESCRIPTION	QUANTITY			
			292	300	335	340
24	402 4116	Lubricating Wick (To Be Inserted)				1
25	402 4049	Pivot Pin, Contact Breaker				1
26	402 4050	Contact And Breaker Points Set				1
27	402 7016	Parts Set				1
28	402 4191	Shorting Cable 380mm With Connector				1

292 FOR TNT 292
 300 FOR OLYMPIC 12/3
 335 FOR OLYMPIC 335-335E
 340 FOR TNT 340

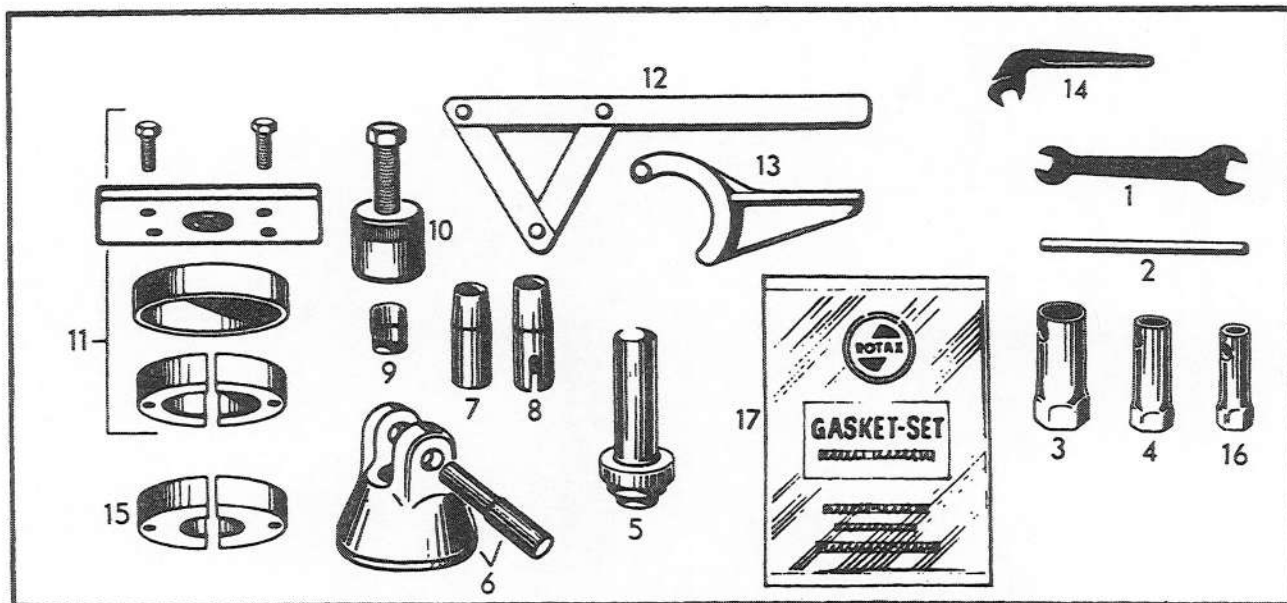
MAGNETO GENERATOR 12V 75W



ITEM NO.	PART NO.	DESCRIPTION	QUANTITY
			335E
1	402 4200	Magneto Generator Ass'y 12V 75W	1
2	402 4201	Armature Plate With Cables	1
3	402 4050	Magneto Ring	1
4	402 7008	Ignition Coil	1
5	402 4024	Lock Washer 5	3
6	402 7004	Cyl. Screw M5 x 22	3
7	402 7062	Mass Cable Ass'y, Yellow 80mm	1
8	402 7003	Protection Cap, Ignition Coil Cable	1
9	402 7006	Ignition Cable 465mm	1
10	402 0148	Rubber Ring, Cables	1
11	402 4076	Spark Plug Protector Ass'y	1
12	402 4079	Spark Plug M240 T1	1
13	402 4037	Armature Plate Alone	1
14	402 7063	Generator Coil With Cable, Black, 112mm	1
15	402 4194	Lighting Coil With 2 Cables 410mm And Conn.	1
16	402 4024	Lock Washer 5	4
17	402 4147	Cyl. Screw M5 x 20	2
18	402 4048	Cyl. Screw M5 x 28	2
19	402 4068	Condenser	1
20	402 4070	Cable, Condenser	1
21	402 4116	Lubricating Wick (To Be Inserted)	1
22	402 4049	Pivot Pin, Contact Breaker	1
23	265 4007	Contact And Breaker Points Set	1
24	402 7074	Generator & Shorting Cables Ass'y	1
25	402 7016	Parts Set	1

BOMBARDIER LTD./LTEE

REPAIR TOOLS, GASKETS



ITEM NO.	PART NO.	DESCRIPTION	QUANTITY
			292, 300, 335, 340
1-2-3-4	402 8025	Tool Set	1
1	402 8023	Fork Wrench 10/13mm	1
2	402 8039	Bolt 8 x 130	1
3	402 8012	Socket Wrench 26mm, Spark Plug	1
4	402 8024	Socket Wrench 13mm	1
5	402 8028	Stamp To Mount Oil Seal	1
6	402 8013	Holder With Bolt, Connecting Rod	1
7	402 8011	Sleeve For Oil Seal, P.T.O. Side	1
8	402 8010	Sleeve For Oil Seal, Magneto Side	1
9	402 8005	Protection Cap 18mm	1
10	402 8004	Puller For Flywheel	1
11	402 8001	Puller For Bearing 6305	1
12	402 8008	Wrench To Hold Fan, Engine Without Electric Starter	1
12	402 8034	Wrench To Hold Fan, Engine With Electric Starter	1
13	402 8038	Holder, Crankshaft	1
14	402 8042	One End Wrench 13mm, Carburetor Ass'y Nuts	1
15	402 8051	Ring Half For Roller Bearing	2
16	402 8047	Socket Wrench 11mm	1
17	402 9008	Gasket Set For Type 290	1
17	402 9009	Gasket Set For Type 300	1
17	402 9010	Gasket Set For Type 335	1
17	402 9011	Gasket Set For Type 340	1

292 FOR TNT 292-292S
 300 FOR OLYMPIC 12/3
 335 FOR OLYMPIC 335-335E
 340 FOR TNT 340



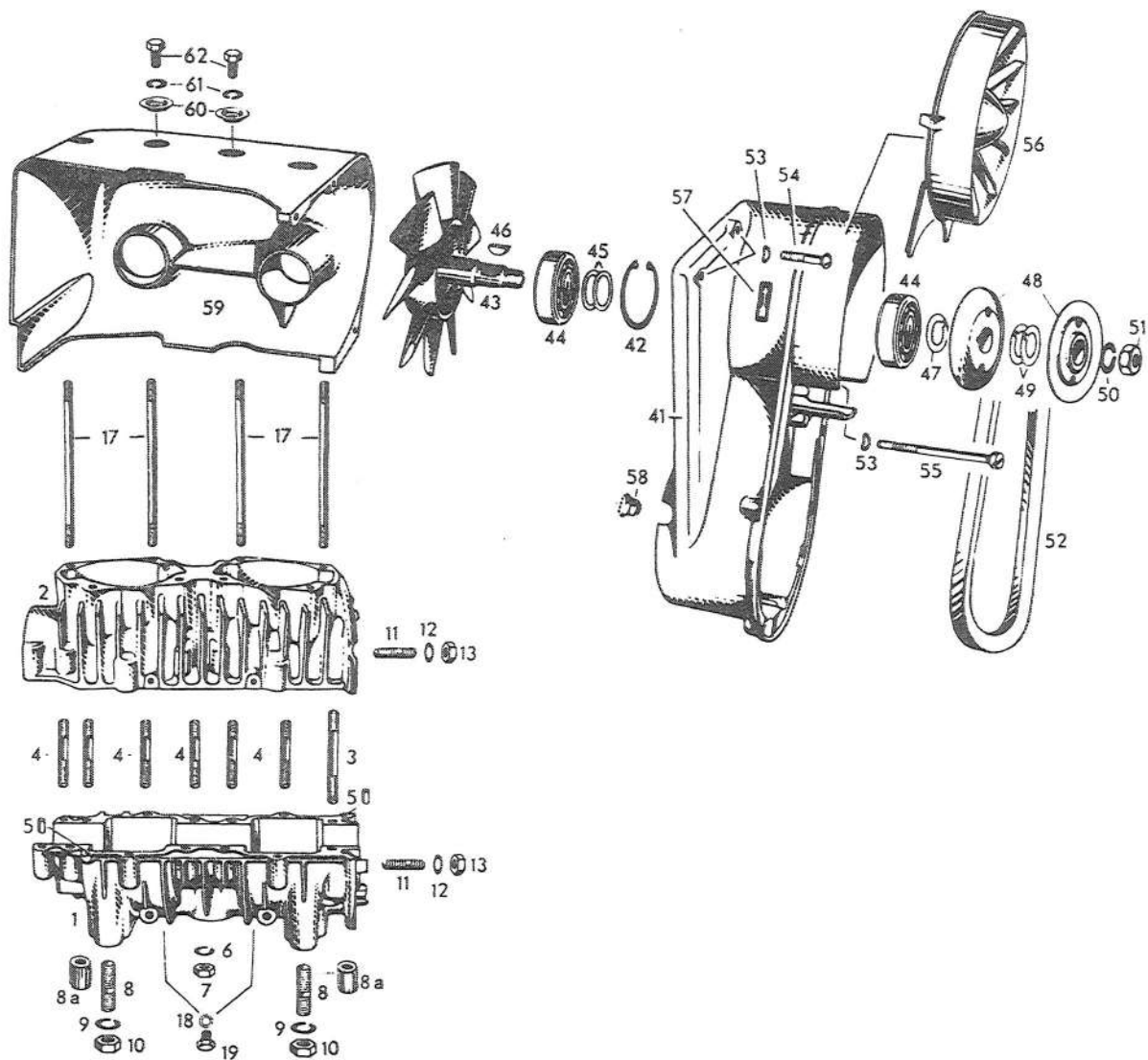
ROTAX ENGINE

1970

TNT 775

Part No.	Description	Qty	Unit
1010000	CRANKCASE	1	EA
1020000	CRANKSHAFT	1	EA
1030000	CONROD	2	EA
1040000	PISTON	2	EA
1050000	VALVE	2	EA
1060000	VALVE	2	EA
1070000	VALVE	2	EA
1080000	VALVE	2	EA
1090000	VALVE	2	EA
1100000	VALVE	2	EA
1110000	VALVE	2	EA
1120000	VALVE	2	EA
1130000	VALVE	2	EA
1140000	VALVE	2	EA
1150000	VALVE	2	EA
1160000	VALVE	2	EA
1170000	VALVE	2	EA
1180000	VALVE	2	EA
1190000	VALVE	2	EA
1200000	VALVE	2	EA

CRANKCASE, FAN HOUSING, FAN, V-BELT

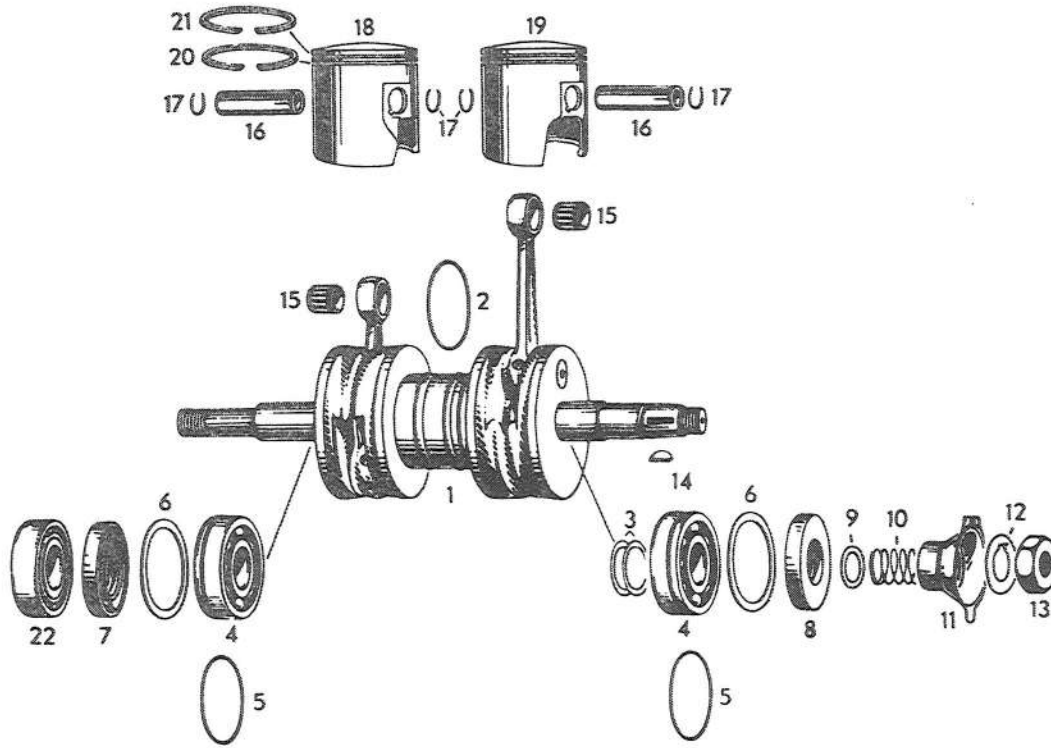


ITEM NO.	PART NO.	DESCRIPTION	QUANTITY
			775
1-2-3-4-5	402 0203	Crankcase Ass'y	1
3	402 0007	Stud M8 x 56	2
4	402 0123	Stud M8 x 37	12
5	402 0161	Dowel Pin 5 ϕ x 10	2
6	402 0016	Lock Washer 8	14
7	402 0018	Hex Nut M8	14
8	402 0178	Stud M12 x 26	4
8A	402 0177	Distance Sleeve 6MM	4
9	402 1038	Lock Washer 12	4
10	402 0117	Hex Nut M12	4

CRANKCASE, FAN HOUSING, FAN, V-BELT

ITEM NO.	PART NO.	DESCRIPTION	QUANTITY
			775
11	402 0115	Stud M8 x 16, Fan Housing	4
12	402 1158	Locking Washer 8	4
13	402 0134	Hex Nut M8	4
17	402 0076	Stud M8, Cylinder	4
18	402 0019	Sealing Ring	2
19	402 0020	Oil Drain Screw M8 x 9	2
41	402 0189	Fan Housing	1
42	402 0118	Locking Ring	1
43	402 0126	Fan With Shaft Ass'y	1
44	402 0136	Ball Bearing 6204	2
45	402 1018	Shim 1.0MM	2
46	402 1009	Woodruff Key 3 x 5	1
47	402 0129	Shim	1
48	402 0163	Pulley Half	2
49	402 0129	Shim	4
50	402 1084	Lock Washer 14	1
51	402 1086	Hex. Nut M14 x 1.5	1
52	402 0121	V-Belt	1
53	402 0133	Spring Washer B6	3
54	402 0151	Flat Head Screw M6 x 30	2
55	402 2125	Cyl. Screw M6 x 80	1
56	402 0187	Fan Cover	1
57	402 0092	Direction Plate	1
58	402 4122	Cable Grommet	1
59	402 0191	Air Cowl	1
60	402 0185	Cowl Cover	2
61	402 0016	Lock Washer	2
62	402 0186	Hex Screw 5/16" x 15	2

CRANKSHAFT PISTON

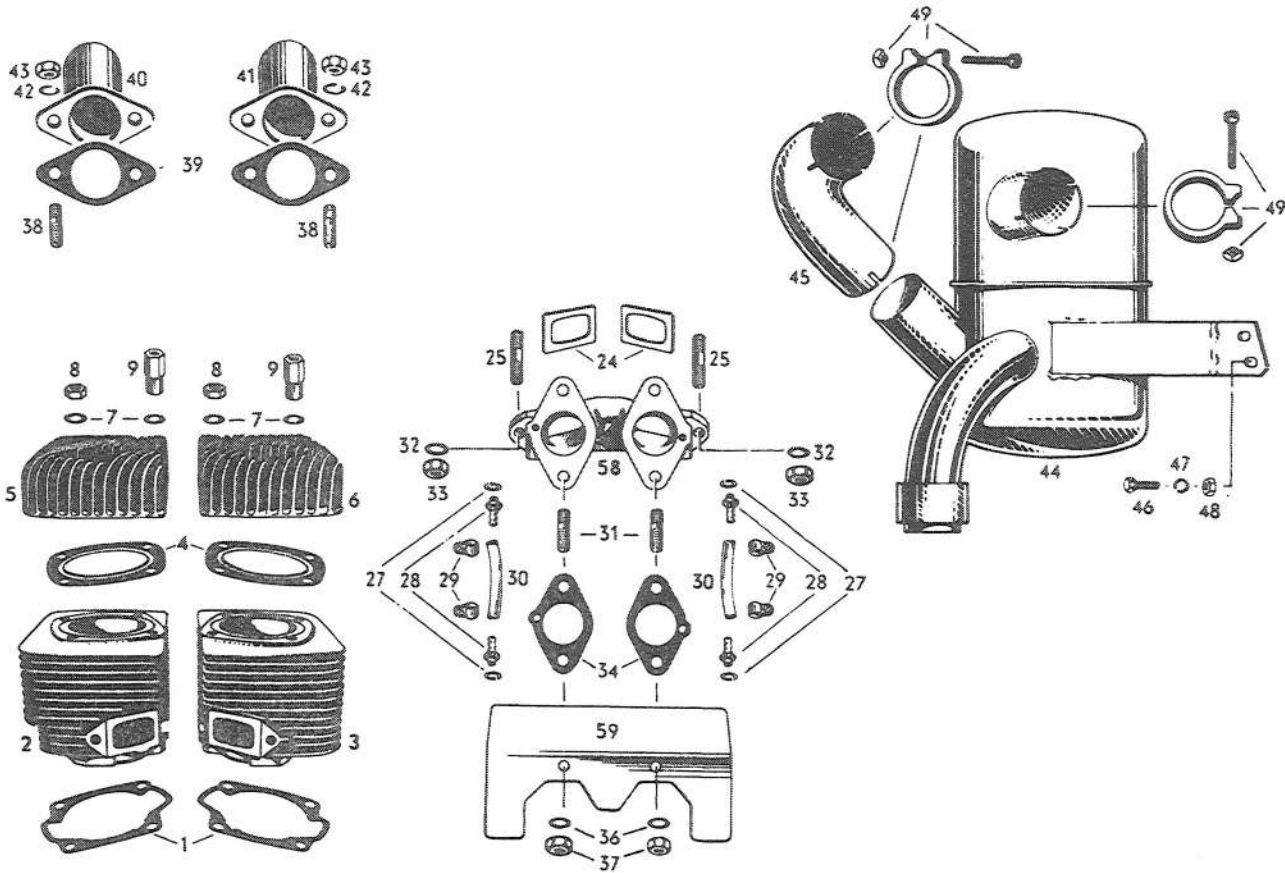


ITEM NO.	PART NO.	DESCRIPTION	QUANTITY
			TNT775
1-2	402 1221	Crankshaft Ass'y	1
2	402 1119	O-Ring	3
3	402 1112	Shim 1.0MM	AR
	402 1113	Shim 0.15MM	AR
	402 1114	Shim 0.3MM	AR
	402 1115	Shim 0.2MM	AR
4	402 1139	Ball Bearing	2
5	402 1119	O-Ring	2
6	402 1108	Retaining Disk	2
7-8	402 1109	Oil Seal	2
9	402 1026	Washer, Cam Spring	1
10	402 1036	Spring, Breaker Cam	1
11	402 1156	Breaker Cam	1
12	402 1040	Lock Washer	1
13	402 1043	Hex Nut M18 x 1.5	1
14	402 1010	Woodruff Key 5 x 6.5	1
15	402 1033	Needle Cage	2
16	402 1216	Gudgeon Pin	2

CRANKSHAFT/PISTON

ITEM NO.	PART NO.	DESCRIPTION	QUANTITY
			TNT775
17	402 1067	Circlip, Gudgeon Pin	4
18-20-21	402 1217	Piston Ass'y With Rings 82.0 ϕ Std. P.T.O. Side	1
	402 1218	Piston Ass'y With Rings 82.5 ϕ 1st Oversize P. T.O. Side	1
19-20-21	402 1219	Piston Ass'y With Rings 82.0 ϕ Std Mangeto Side	1
	402 1220	Piston Ass'y With Rings 82.5 ϕ 1st Oversize Mangeto Side	1
20	402 1214	Rectangular Ring 82.0 ϕ Std	2
	402 1215	Rectangular Ring 82.5 ϕ 1st Oversize	2
21	402 1212	L-Ring 82.0 ϕ Std	2
	402 1213	L-Ring 82.5 ϕ 1st Oversize	2
22	402 1110	Ball Bearing 6306	1

CYLINDERS, INTAKE MANIFOLD MUFFLER



ITEM NO.	PART NO.	DESCRIPTION	QUANTITY
			TNT 775
1	402 2225	Gasket, Cylinder Flange	2
2	402 2221	Cylinder, P.T.O. Side	1
3	402 2222	Cylinder Magneto Side	1
4	402 2226	Gasket, Cylinder Head	2
5	402 2223	Cylinder Head, P.T.O. Side	1
6	402 2224	Cylinder Head, Magneto Side	1
7	402 0031	Washer 8.4 Cylinder Head	8
8	402 0116	Hex Nut M8	4
9	402 2145	Distance Nut M8/5/16"	4
24	402 2207	Intake Gasket, Magneto Side	2
25	402 2002	Stud M8 x 25	2
27	402 0064	Isolating And Sealing Washer	4
28	402 0065	Joint	4
29	402 0063	Clamp, Plastic Tube	4
30	414 0130	Plastic Line 140MM	2
31	402 2037	Stud M8 x 19.5	4
32	402 0031	Washer 8.4	2
33	402 2106	Lock Nut M8	2
34	404 0212	Tillotson Carburetor Flange Gasket	2

BOMBARDIER LTD./LTEE

Cat. No. 480 1011

LITHO'D IN CANADA

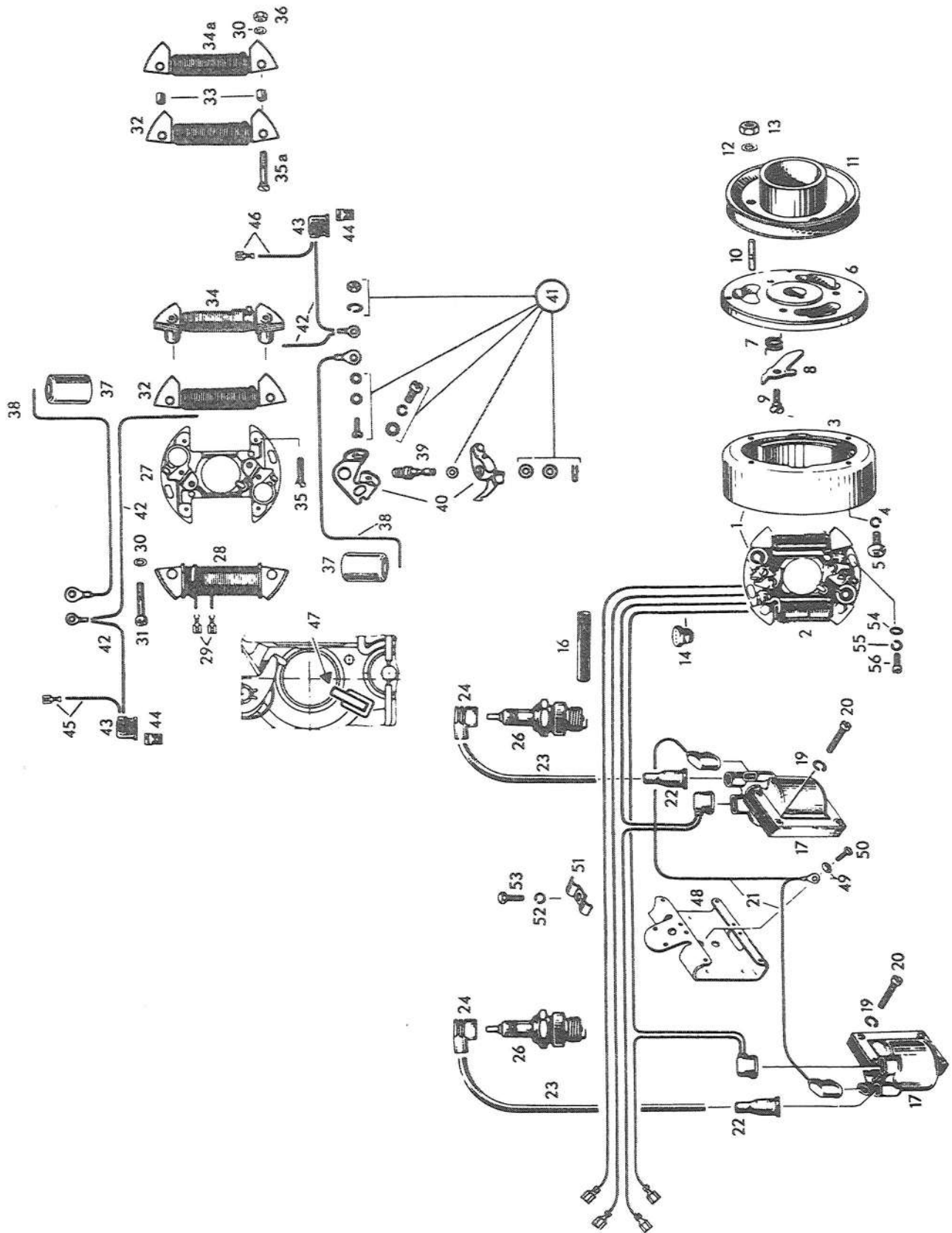
SECTION 2 - PAGE 62

December 1969.

CYLINDERS, INTAKE MANIFOLD, MUFFLER

ITEM NO.	PART NO.	DESCRIPTION	QUANTITY
			TNT775
36	402 2072	Isolating Washer	4
37	402 0018	Hex. Nut M8	4
38	402 2038	Stud M8 x 19	4
39	402 2100	Gasket, Exhaust Flange	2
40	402 2113	Exhaust Socket With Flange, P.T.O. Side	1
41	402 2109	Exhaust Socket With Flange, Magneto Side	1
42	402 0016	Lock Washer 8	4
43	402 0018	Hex. Nut M8	4
44	402 2194	Muffler Ass'y	1
45	402 2195	Inlet Elbow	1
46	402 4127	Hex. Screw M6 x 20	2
47	402 0015	Lock Washer 6	2
48	402 2053	Hex. Nut M6	2
49	414 0222	Clamp Ass'y 51 ϕ	3
58	402 0228	Double Intake Manifold	1
59	402 0202	Air Baffle Carburator	1

MAGNETO GENERATOR 12V75W, MAGNETO HOUSING



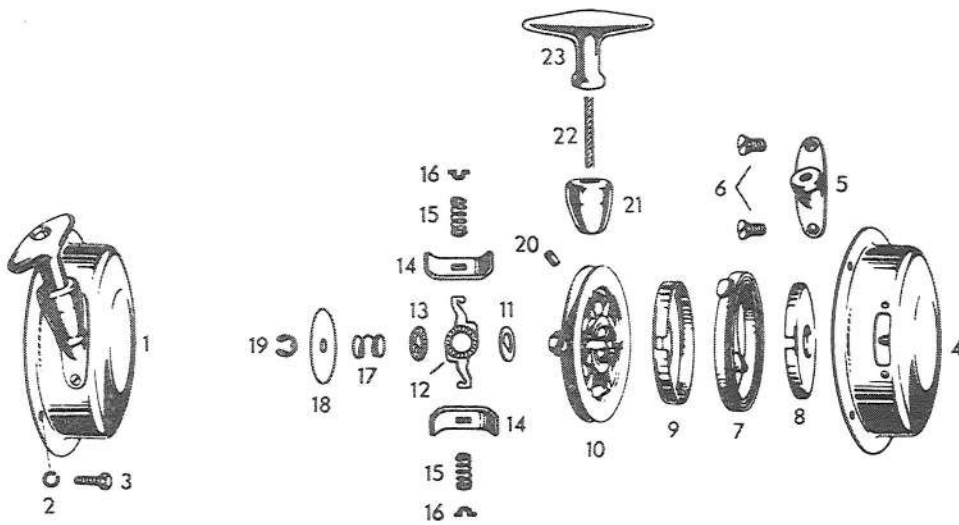
BOMBARDIER LTD./LTEE

Cat. No. 480 1011

MAGNETO GENERATOR 12V75W, MAGNETO HOUSING

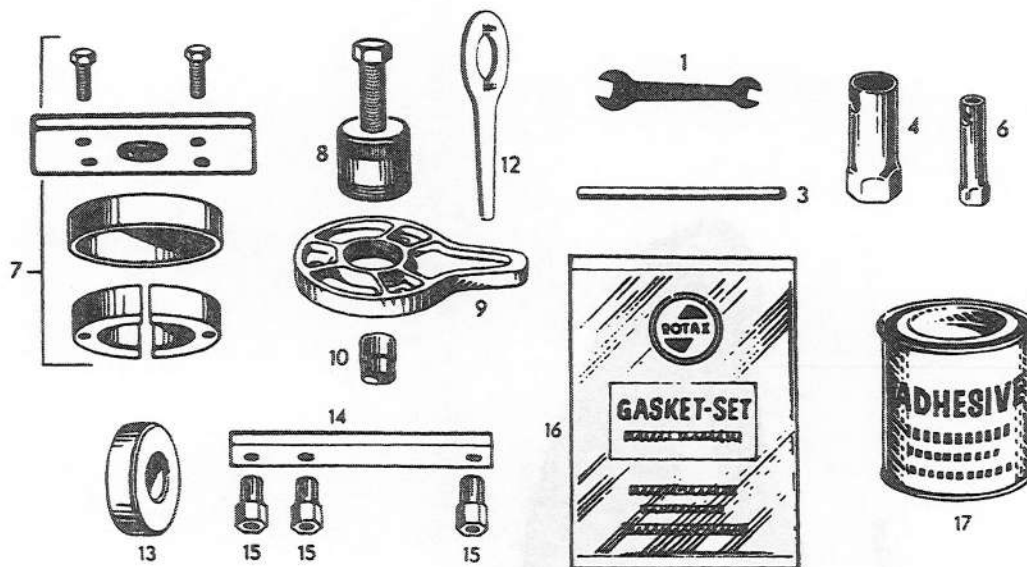
ITEM NO.	PART NO.	DESCRIPTION	QUANTITY
			TNT 775
1	402 4197	Magneto Generator Ass'y 12V 75W	1
2	402 4199	Armature Plate Ass'y	1
3	402 4167	Magneto Ring	1
4	402 0015	Lock Washer 6	4
5	402 4148	Cyl. Screw W. Int. Hex. M6 x 10.5	4
6	402 4149	Magneto Housing	1
7	402 4096	Spring Centrifugal Weight	1
8	402 0146	Centrifugal Weight	1
9	402 4118	Bearing Screw, Centrifugal Weight	1
10	402 5050	Stud M8 x 15	3
11	402 0162	V-Belt Pulley	1
12	402 1158	Locking Washer 8	3
13	402 0134	Hex. Nut M8	3
14	402 4122	Cable Grommet	1
16	402 0168	Rubber Sleeve 55MM	2
17	402 7008	Ignition Coil	2
19	402 4024	Lock Washer 5	8
20	402 2229	Cyl. Screw M5 x 20	8
21	402 4138	Mass Cable Ass'y Yellow	1
22	402 7003	Protection Cap	2
23	402 4106	Ignition Cable 480MM	2
24	402 4076	Spark Plug Protector	2
26	402 4081	Spark Plug M310T1	2
27	402 4152	Armature Plate Alone	1
28	402 4155	Lighting Coil With Cables 550MM	1
29	402 4176	Faston Connector	2
30	402 4024	Lock Washer 5	2
31	402 4048	Cyl. Screw M5 x 28	2
32	402 4151	Generator Coil, Bottom, Right Hand Winding	1
33	402 4161	Distance Sleeve	2
34-34A	402 4150	Generator Coil, Top, Left And Winding	1
35	402 4179	Countersunk Screw M5 x 25	2
35A	402 4146	Countersunk Screw M5 x 38	2
36	402 7049	Hex. Nut M5	2
37	402 4068	Condenser	2
38	402 4164	Cable Condenser	2
39	402 4049	Pivot Pin Contact Breaker	2
40	402 4142	Contact Point Set, Racing	2
41	402 7016	Parts Set, Armature Plate	2
42	402 4162	Generator Cable Ass'y, Blue-Black 610-80MM	2
43	402 4159	Rubber Cap	2
44	409 2009	Faston Connector	2
45	402 4193	Shoring Cable, Black 260MM W. Conn.	1
46	402 4192	Shoring Cable, Yellow 365MM W. Conn.	1
47	402 4141	Lubricating Wick	1
48	402 4121	Coil Mounting Flange	1
49	402 0015	Lock Washer 6	2
50	402 4127	Hex. Screw M6 x 16	2
51	402 4120	Ignition Cable Clamp	1
52	402 0015	Lock Washer 6	1
53	402 0040	Cyl. Screw M6 x 10	1
54	402 4131	Washer 5.3	2
55	402 4024	Lock Washer 5	2
56	402 2227	Cyl. Screw M5 x 16 W. Int. Hex.	2

REWIND STARTER



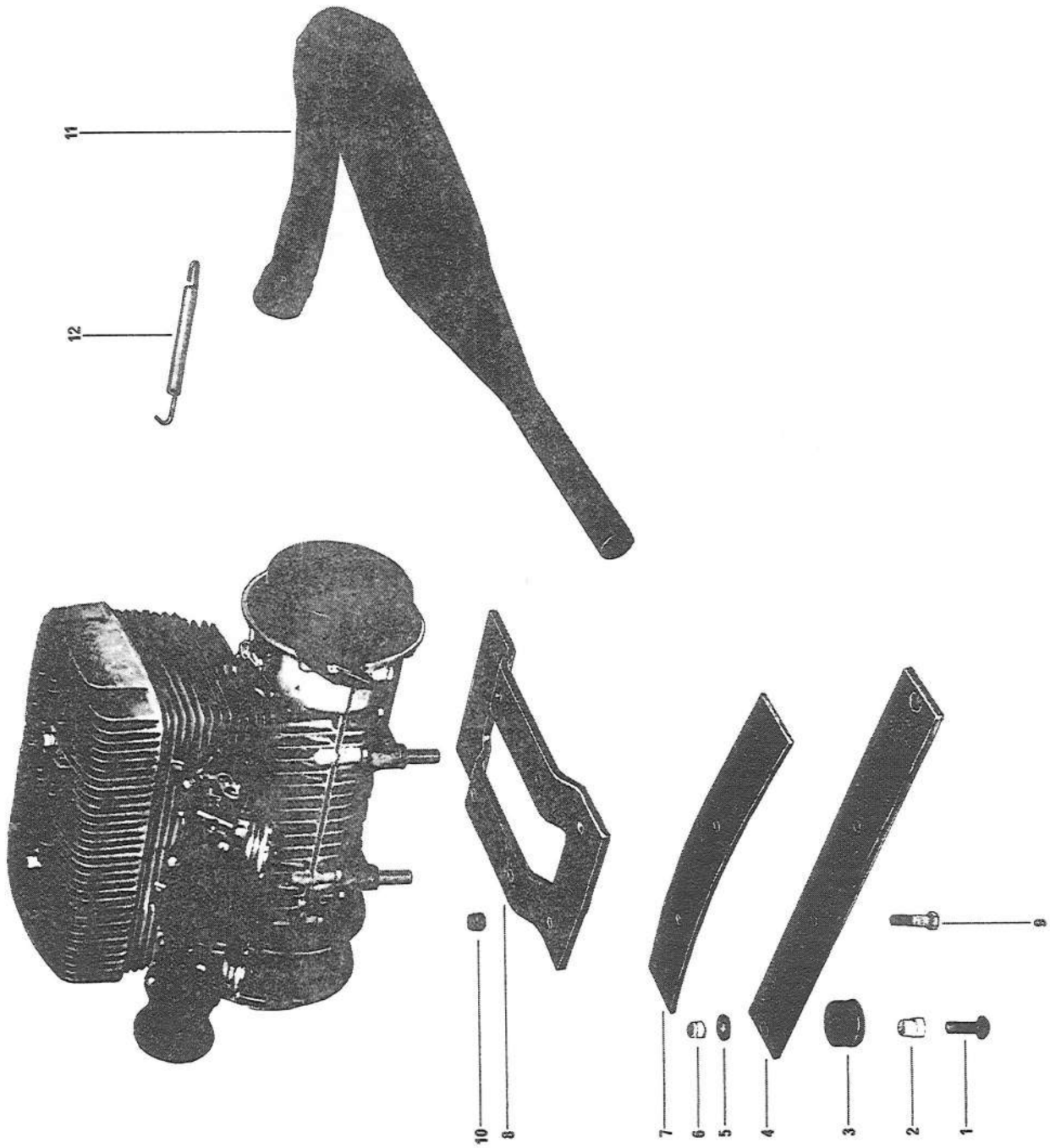
ITEM NO.	PART NO.	DESCRIPTION	QUANTITY
			TNT 775
1	402 5046	Rewind Starter Ass'y	1
2	402 0015	Lock Washer 6	4
3	402 0012	Hex. Screw M6 x 15	4
4	402 7058	Starter Housing	1
5	402 5036	Starter Stop	1
6	402 5037	Countersunk Screw M5 x8	2
7-8-9	402 5023	Spring Cartridge Ass'y	1
7	402 5022	Rewind Spring	1
8	402 5038	Spring Guide	1
9	402 5044	Cover, Spring Guide	1
10	402 5047	Rope Sheave	1
11	402 5026	D-Washer	1
12	402 5028	Pivot Arm	1
13	402 5027	Friction Washer	1
14	402 5029	Pawl	2
15	402 5030	Pawl Spring	2
16	402 5031	Pawl Spring	2
17	402 5032	Friction Spring	1
18	402 5033	Cover Washer	1
19	402 5034	Circlip	1
20	402 5016	Bolt 5 x 6 Starter Rope	1
21	402 5039	Rubber Buffer	1
22	402 5018	Starter Rope 1200MM	1
23	402 5019	Starter Grip	1

REPAIR TOOLS, GASKET SET



ITEM NO.	PART NO.	DESCRIPTION	QUANTITY
			TNT 775
1-3-4-6	402 8025	Tool Set Ass'y	1
1	402 8023	Fork Wrench 10/13MM	1
3	402 8039	Bolt 8 x 130	1
4	402 8022	Socket Wrench 26MM, Spark Plug	1
6	402 8024	Socket Wrench 13MM	1
7	402 8002	Remover Ass'y Bearing 6306	1
8	402 8044	Puller Ass'y Flywheel	1
9	402 8045	Wrench To Hold Magneto Housing	1
10	402 8005	Protection Cap 18MM	1
12	402 8053	Wrench To Hold Pulley Halves	1
13	402 1208	Crankshaft Ring	1
14	402 8057	Cylinder Aligning Tool	1
15	402 8056	Nut M8, Cylinder Aligning Tool	3
16	402 9017	Gasket Set	1
17	402 9015	Adhesive 1 Sarplast L700 (Can)	1

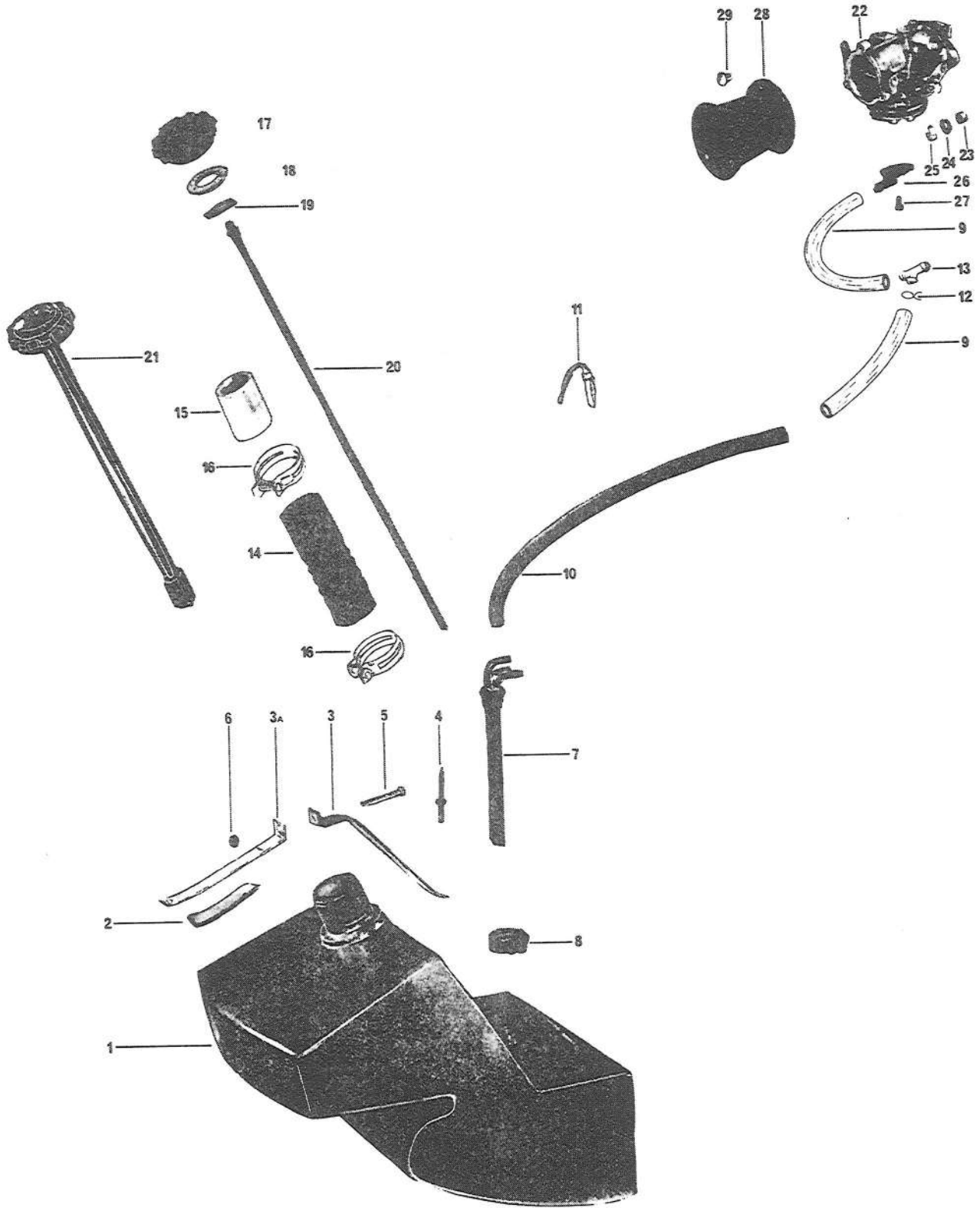
BLIZZARD ENGINE



BLIZZARD ENGINE

ITEM NO.	PART NO.	DESCRIPTION	QUANTITY				
			292	340	436	636	776
1	360 8010	Carriage Bolt	4	4	4	4	4
2	512 0011	Threaded Spacer Bushing	4	4	4	4	4
3	570 1202	Insulator Rubber	4	4	4	4	4
4	512 0012	Engine Support	2	2			
4	512 0053	Engine Support			2	2	2
5	399 9006	Washer	4	4	4	4	4
6	389 8036	Nut	4	4	4	4	4
7	512 0050	Engine Leaf Spring	2	2			
7	512 0054	Engine Leaf Spring			2	2	2
8	512 0094	Engine Bracket	1	1			
8	512 0093	Engine Bracket			1		
8	512 0037	Engine Bracket				1	1
9	309 8012	Screw	4	4			
9	309 8025	Screw			6	6	6
10	389 8037	Nut	4	4	6	6	6
11	414 0559	Tuned Exhaust R.H.			1		
11	414 0560	Tuned Exhaust L.H.			1		
11	414 0561	Tuned Exhaust R.H.				1	
11	414 0562	Tuned Exhaust L.H.				1	
11	414 0563	Tuned Exhaust R.H.					1
11	414 0564	Tuned Exhaust L.H.					1
11	414 0674	Tuned Exhaust	1				
11	414 0675	Tuned Exhaust		1			
12	414 0257	Spring	2	2	4	4	4

BLIZZARD FUEL



BLIZZARD FUEL

ITEM NO.	PART NO.	DESCRIPTION	QUANTITY				
			292	340	436	636	776
1	414 0540	Fuel Tank	1	1			
1	414 0135	Fuel Tank			1	1	1
2	414 0247	Protector Strip (Mult 12")	AR	AR	AR	AR	AR
3	513 0089	Retainer Strip	2	2			
3 A	513 0090	Retainer Strip	2	2			
3	513 0073	Retainer Strip			2	2	2
3 A	513 0091	Retainer Strip			2	2	2
4	390 9003	Rivet	4	4			
4	390 4021	Rivet			2	2	2
5	321 6046	Screw	2	2			
5	320 1067	Screw			2	2	2
6	385 7011	Nut	2	2			
6	387 3013	Nut			2	2	2
7	513 0084	Fuel Line Adaptor	1	1			
7	513 0088	Fuel Line Adaptor			1	1	1
8	408 8004	Gear Clamp	1	1	1	1	1
9	414 0130	Fuel Line (Mult 12")	AR	AR	AR	AR	AR
10	414 0178	Isolating Line (Mult 12")	AR	AR	AR	AR	AR
11	114 0043	Hose Tie	1	1	4	4	4
12	414 0128	Hose Clamp	2	2	5	5	5
13	414 0024	"T" Line			1	1	1
14	570 1302	Filler Pipe Extension	1	1			
15	414 0416	Filler Neck	1	1			
16	408 8002	Clamp	2	2			
17	414 0290	Fuel Tank Cap	1	1			
18	414 0293	Gasket	1	1			
19	513 0047	Spring	1	1			
20	561 3001	Fuel Tank Gauge	1	1			
21	414 0209	Fuel Tank Cap			1	1	1
22	403 0015	Carburator	1	1			
22	403 0021	Carburator			2		
22	403 0013	Carburator				2	2
23	404 0157	Isolating Sleeve	2	2	4	4	4
24	402 2072	Isolating Washer	2	2	4	4	4
25	402 0018	Nut	2	2	4	4	4
26	404 0051	Strainer Cover	1	1			
26	404 0182	Strainer Cover			2	2	2
27	404 0052	Screw	1	1	2	2	2
28	570 1208	Intake Funnel	1	1		2	2
28	570 1203	Intake Funnel			2		
29	337 7100	Screw	3	3	6	6	6
	403 0015	Carburator: Ref to Cat 70 Sec 2					
		Page 15					
	403 0013	Carburator: Ref to Cat 70 Sec 7					
		Page 15					
	403 0021	Carburator Ref. To Carburator no. 403 0012 Section 2 Page 17					
		Except for no. 404 0263 Body (Service) instead of 404 0205					
		404 0264 Throttle Cable Bracket					
		404 0265 Throttle Cable Bracket Ret Screw & Lock Washer					
		404 0215 Throttle Cable Clamp					
		404 0217 Throttle Cable Clamp Ret. Nut					
		404 0216 Throttle Cable Clamp Ret. Screw					

ROTAX ENGINE

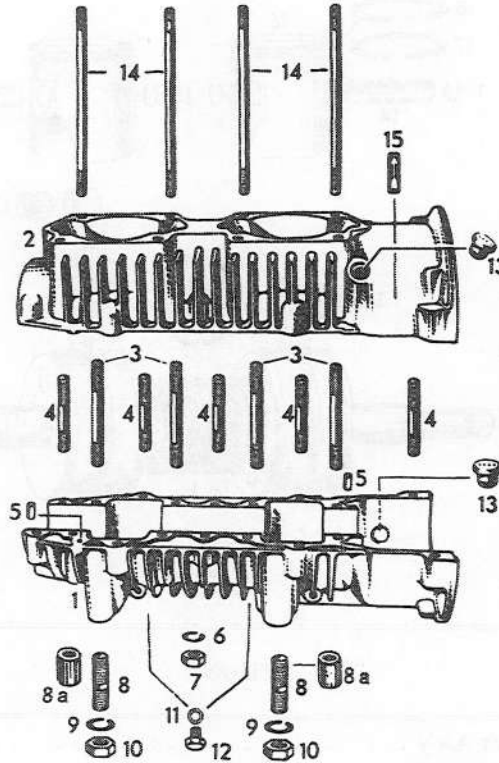
1970

BLIZZARD 436

BLIZZARD 636

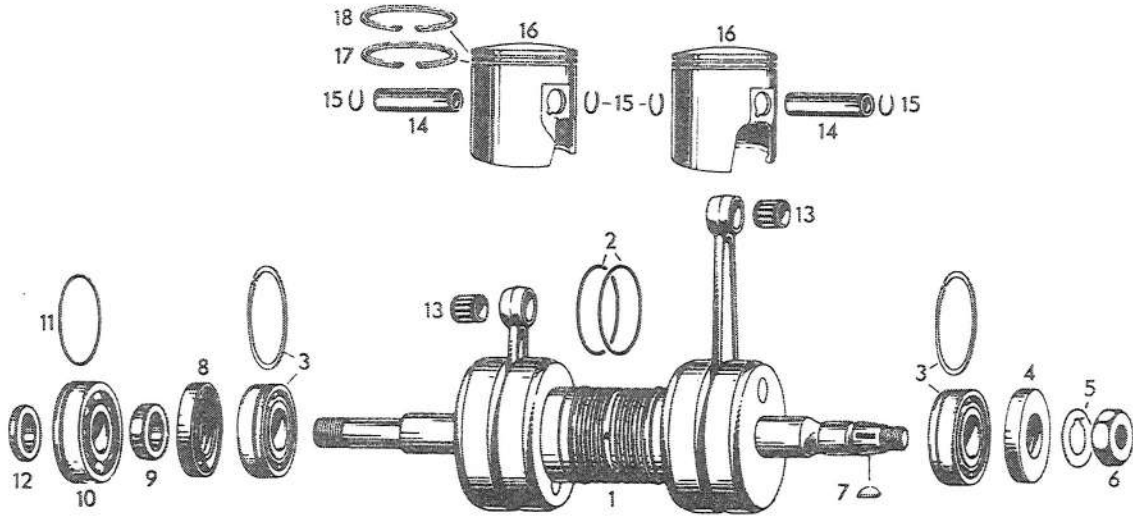
BLIZZARD 776

BLIZZARD CRANKCASE



ITEM NO.	PART NO.	DESCRIPTION	QUANTITY		
			436	636	776
1-2-3-4-5	402 0205	Crankcase Ass'y	1		
1-2-3-4-5	402 0204	Crankcase Ass'y		1	1
3	402 0007	Stud M8x56	8	8	8
4	402 0123	Stud M8x37	10	10	10
5	402 0161	Dowel Pin 5φ x 10	2	2	2
6	402 0016	Lock Washer 8	18	18	18
7	402 0018	Hex Nut M8	18	18	18
8	402 0023	Stud M10x42	4		
8	402 0178	Stud M12 x 26		4	4
8a	402 0091	Distance Sleeve 22MM	4		
9	402 0025	Lock Washer 10	4		
9	402 1038	Lock Washer 12		4	4
10	402 0026	Hex Nut M10	4		
10	402 0117	Hex Nut M12		4	4
11	402 0019	Sealing Ring	2	2	2
12	402 0020	Oil Drain Screw M8 x 9	2	2	2
13	402 4122	Cable Grommet	2	2	2
14	402 2241	Stud M8 Cylinder	8		
14	402 2239	Stud M10, Cylinder		8	8
15	402 0092	Direction Plate	1	1	1

BLIZZARD CRANKSHAFT, BEARINGS, PISTONS



ITEM NO.	PART NO.	DESCRIPTION	QUANTITY		
			436	636	776
1-2	402 1244	Crankshaft Ass'y	1		
1-2	402 1245	Crankshaft Ass'y		1	
1-2	402 1241	Crankshaft Ass'y			1
2	402 1137	O-Ring	2		
2	402 1119	O- Ring		2	2
3	402 1248	Roller Bearing NU 305W. Groove Ring	2		
3	402 1249	Roller Bearing NU 306W. Groove Ring		2	2
4	402 1224	Oil Seal	1		
4	402 1109	Oil Seal		1	1
5	402 1040	Lock Washer	1	1	1
6	402 1043	Hex Nut M18x1.5	1	1	1
7	402 1010	Woodruff Key 5x6.5	1	1	1
8	402 1225	Oil Seal	1		
8	402 1250	Oil Seal		1	1
9	402 1236	Distance Sleeve 13MM	1		
9	402 1237	Distance Sleeve 14.4MM		1	1
10	402 1251	Ball Bearing 6305	1		
10	402 1252	Ball Bearing 6306		1	1
11	402 1137	O-Ring	1		
11	402 1119	O-Ring		1	1
12	402 1223	Distance Ring 7MM	1		
12	402 1222	Distance Ring 6MM		1	1
13	402 1033	Needle Cage	2	2	
13	402 1253	Needle Cage			2
14	402 1080	Gudgeon Pin	2		
14	402 1235	Gudgeon Pin		2	
14	402 1234	Gudgeon Pin			2
15	402 1067	Circlip 18, Gudgeon Pin	4	4	
15	402 1226	Circlip 20, Gudgeon Pin			4

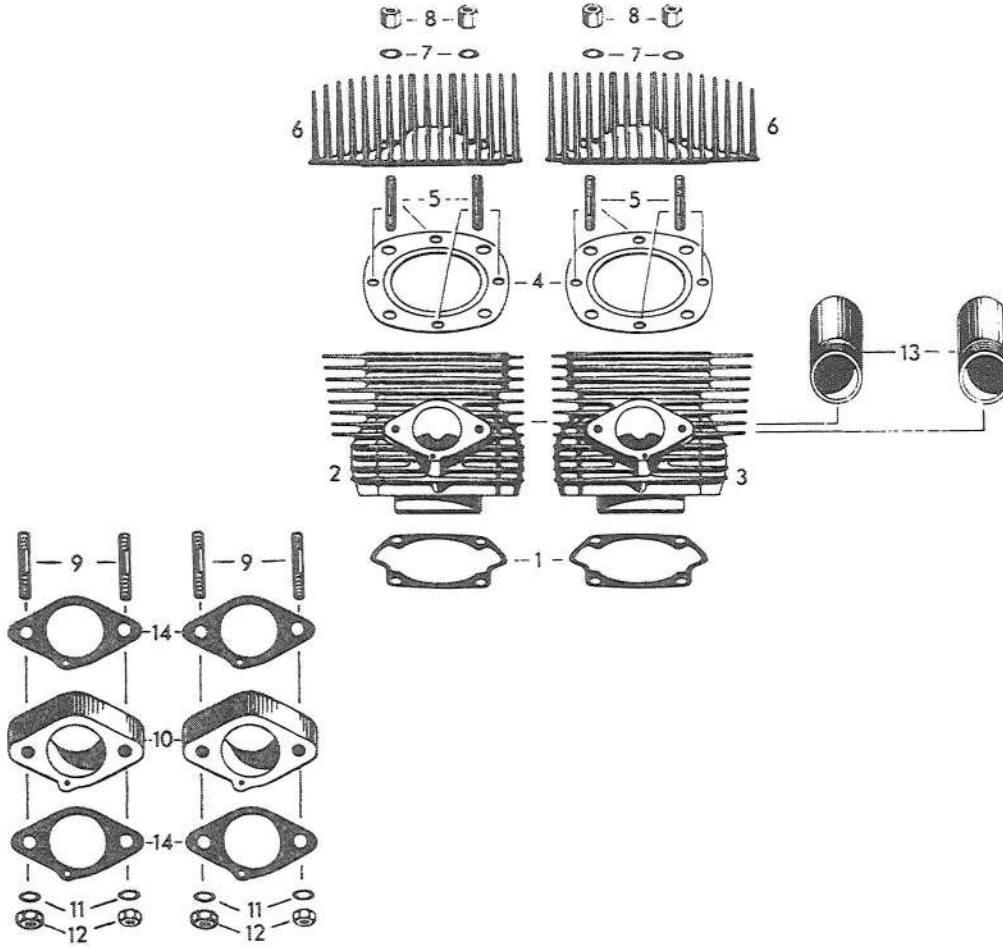
BOMBARDIER LTD./LTEE

Cat. No. 488 1014

BLIZZARD CRANKSHAFT, BEARINGS, PISTONS

ITEM NO.	PART NO.	DESCRIPTION	QUANTITY		
			436	636	776
16-17-18	402 1242	Piston Ass'y With Rings 67.0ϕ Std.	2		
	402 1243	Piston Ass'y With Rings 67.5ϕ 1st Oversize	2		
16-17-18	402 1246	Piston Ass'y With Rings 76.0ϕ Std.		2	
	402 1247	Piston Ass'y With Rings 76.5ϕ 1st Oversize		2	
16-17-18	402 1238	Piston Ass'y With Rings 82.0ϕ Std.			2
	402 1239	Piston Ass'y With Rings 82.5ϕ 1st Oversize			2
	402 1240	Piston Ass'y With Rings 83.0ϕ 2nd Oversize			2
17	402 1230	Rectangular Ring 67.0ϕ Std.	2		
	402 1231	Rectangular Ring 67.5ϕ 1st Oversize	2		
17	402 1232	Rectangular Ring 76.0ϕ Std.		2	
	402 1233	Rectangular Ring 76.5ϕ 1st Oversize		2	
17	402 1214	Rectangular Ring 82.0ϕ Std.			2
	402 1215	Rectangular Ring 82.5ϕ 1st Oversize			2
	402 1254	Rectangular Ring 83.0ϕ 2nd Oversize			2
18	402 1228	L-Ring 67.0ϕ Std.	2		
	402 1229	L-Ring 67.5ϕ 1st Oversize.	2		
18	402 1192	L-Ring 76.0ϕ Std.		2	
	402 1193	L-Ring 76.5ϕ 1st Oversize		2	
18	402 1212	L-Ring 82.0ϕ Std.			2
	402 1213	L-Ring 82.5ϕ 1st Oversize.			2
	402 1227	L-Ring 83.0ϕ 2nd Oversize			2

BLIZZARD CYLINDERS, CYLINDER HEAD, EXHAUST SOCKET



ITEM NO.	PART NO.	DESCRIPTION	QUANTITY		
			436	636	776
1	402 2250	Gasket, Cylinder Flange	2		
1	402 2251	Gasket, Cylinder Flange		2	2
2	402 2234	Cylinder W/ Sleeve, P.T.O. Side	1		
2	402 2237	Cylinder W/Sleeve, P.T.O. Side		1	
2	402 2230	Cylinder W/Sleeve, P.T.O. Side			1
3	402 2235	Cylinder W/Sleeve, Magneto Side	1		
3	402 2238	Cylinder W/Sleeve, Magneto Side		1	
3	402 2231	Cylinder W/Sleeve, Magneto Side			1
4	402 2252	Gasket, Cylinder Head	2		
4	402 2253	Gasket, Cylinder Head		2	2
5	402 2240	Stud M8x40 Cylinder Head	8	8	8
6	402 2236	Cylinder Head	2		
6	402 2233	Cylinder Head		2	
6	402 2232	Cylinder Head			2
7	402 0031	Washer 84, Cylinder Head	16	8	8
7	402 2254	Washer 10.5, Cylinder Head		8	8
8	402 2242	Hex Nut M8	16	8	8

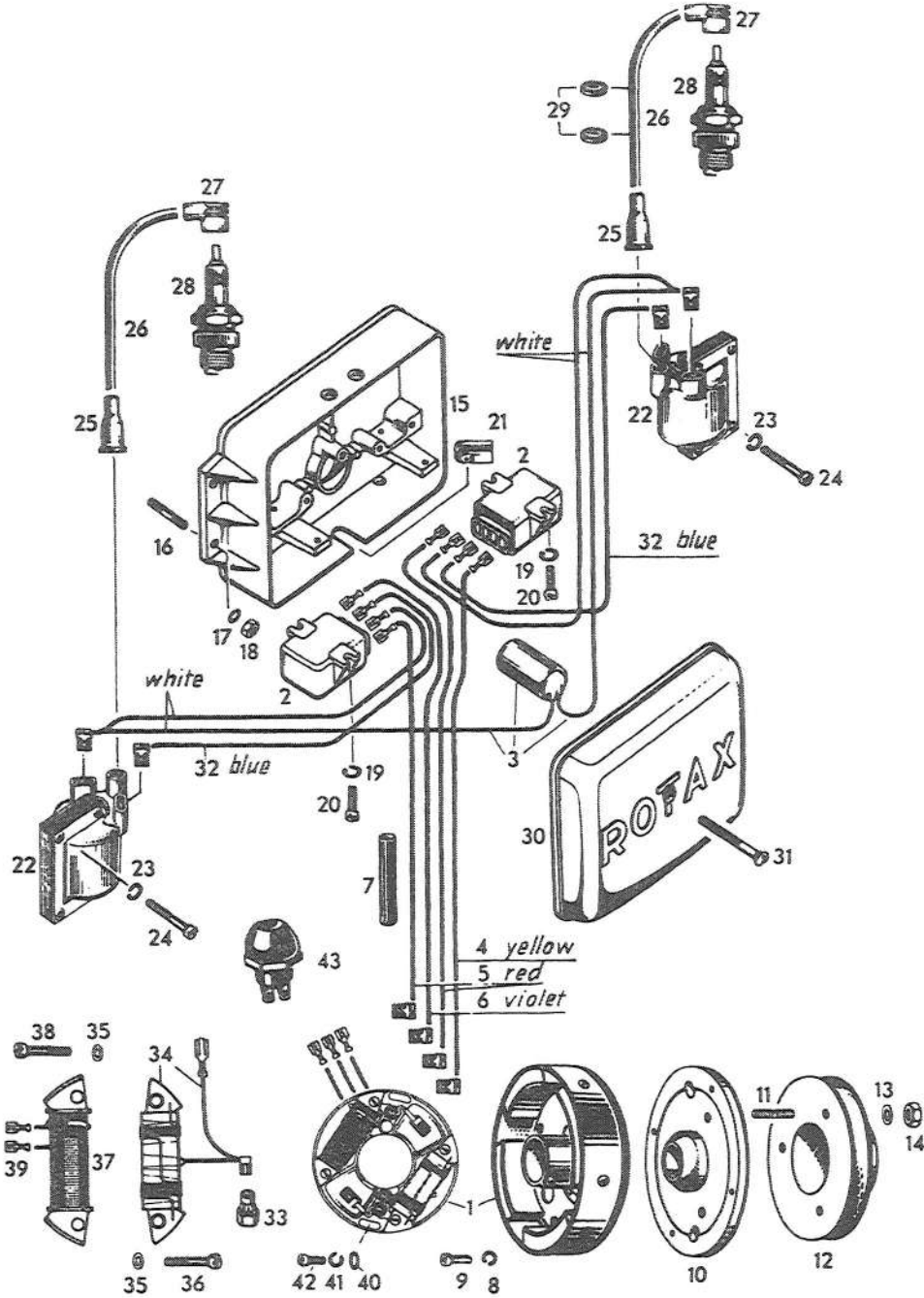
BOMBARDIER LTD./LTEE

Cat. No. 480 1014

BLIZZARD CYLINDERS, CYLINDER HEAD, EXHAUST SOCKET

ITEM NO.	PART NO.	DESCRIPTION	QUANTITY		
			436	636	776
8	402 2243	Hex Nut M10		8	8
9	402 0123	Stud M8x37	4		
9	402 2159	Stud M8x41		4	4
10	402 2170	Isolating Flange, 18.5MM Thick	2		
10	402 2171	Isolating Flange, 20MM Thick		2	2
11	402 2072	Isolating Washer	4	4	4
12	402 0018	Hex Nut M8	4	4	4
13	402 2245	Exhaust Socket	2		
13	402 2244	Exhaust Socket		2	2
14	404 0039	Tillotson Carburator Flange Gasket	4		
14	404 0212	Tillotson Carburator Flange Gasket		4	4

BLIZZARD, MAGNETO GENERATOR 12V 75W, MAGNETO HOUSING

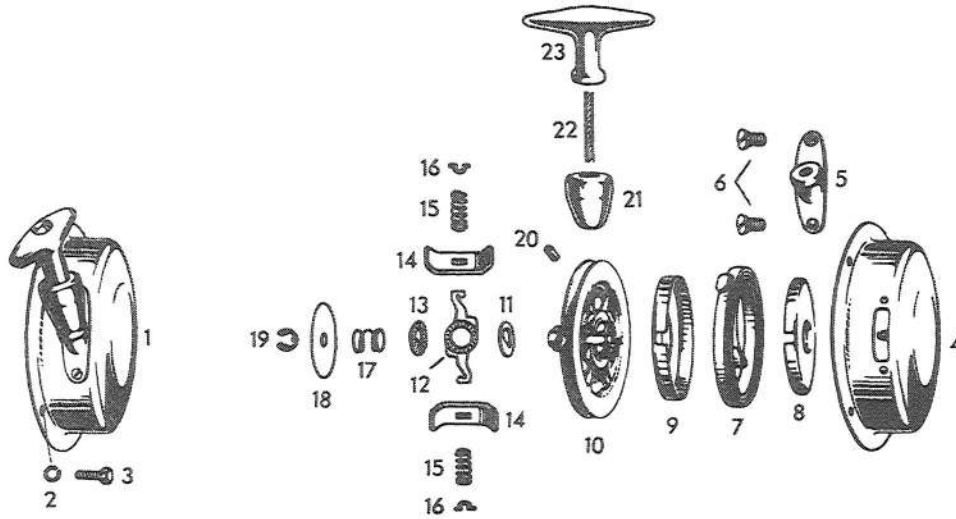


ITEM NO.	PART NO.	DESCRIPTION	QUANTITY		
			436	636	776
1-2-3-4					
5-6-7	402 4219	Magneto Generator Ass'y 12V75W	1	1	1
3	402 4213	Condenser W/Cables 110/140MM	1	1	1

BLIZZARD, MAGNETO GENERATOR 12V 75W, MAGNETO HOUSING

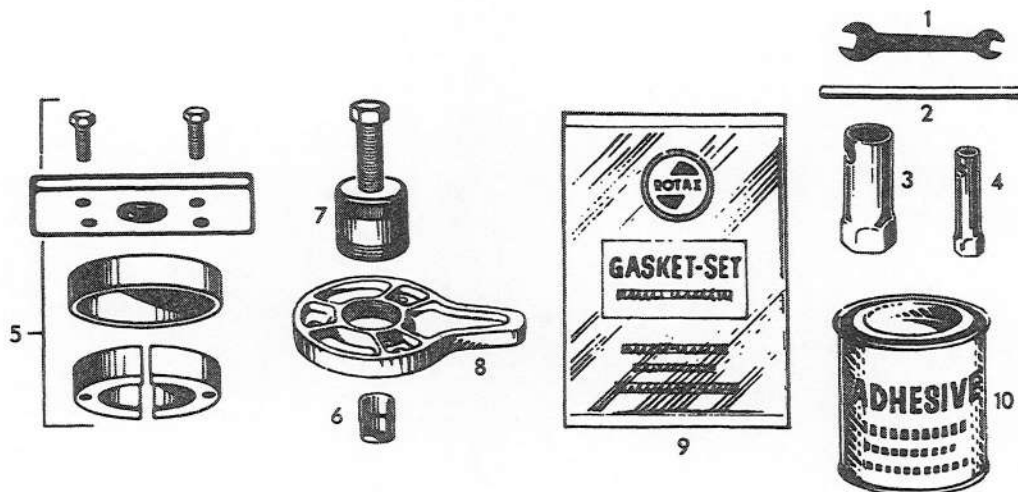
ITEM NO.	PART NO.	DESCRIPTION	QUANTITY		
			436	636	776
4	402 4211	Control Cable Ass'y Yellow 260MM	1	1	1
5	402 4209	Charging Cable Ass'y Red 260MM	2	2	2
6	402 4212	Control Cable Ass'y Violet 300MM	1	1	1
7	402 0168	Rubber Sleeve 55MM	1	1	1
8	402 0015	Lock Washer 6	4	4	4
9	402 4148	Cyl. Screw M6x10.5 W/Int. Hex	4	4	4
10	402 4208	Magneto Housing	1	1	1
11	402 5050	Stud M8x15	3	3	3
12	402 0162	V-Belt Pulley	1	1	1
13	402 1158	Locking Washer 8	3	3	3
14	402 0134	Hex Nut 8	3	3	3
15	402 4207	Ignition Box	1	1	1
16	402 2019	Stud M6x14	4	4	4
17	402 0015	Lock Washer 6	4	4	4
18	402 2053	Hex Nut M6	4	4	4
19	402 7016	Lock Washer 4 (Kit)	4	4	4
20	402 7016	Cyl. Screw M4x10 (Kit)	4	4	4
21	402 4204	Rubber Grommet	1	1	1
22	402 7008	Ignition Coil	2	2	2
23	402 4024	Lock Washer 5	6	6	6
24	402 7004	Cyl. Screw M5x22	6	6	6
25	402 7003	Protection Cap	2	2	2
26	402 4214	Ignition Cable 350MM	2		
26	402 4215	Ignition Cable 390MM		2	2
27	402 4076	Spark Plug Protector Ass'y	2	2	2
28	402 4081	Spark Plug M310T1	2	2	2
29	402 0148	Rubber Ring	2	2	2
30	402 4206	Ignition Box Cover	1	1	1
31	402 4205	Countersunk Screw M6x50	1	1	1
32	402 4210	Switch Cable Ass'y Blue 140MM	2	2	2
33	402 4217	Plug Insert Ass'y Red	1	1	1
33	402 4218	Plug Insert Ass'y Violet	2	2	2
34	402 4216	Charging Coil Ass'y W/Cables	1	1	1
35	402 4024	Lock Washer 5	4	4	4
36	402 2229	Cyl. Screw M5x20	2	2	2
37	402 4155	Lighting Coil W/Cables 700MM	1	1	1
38	402 4048	Cyl. Screw M5x28	2	2	2
39	402 4176	Faston Connector 6.3	2	2	2
40	402 4133	Washer 5.3	2	2	2
41	402 4024	Lock Washer 5	2	2	2
42	402 2227	Cyl. Screw M5x16	2	2	2
43	402 4222	Push Button Switch	1	1	1

BLIZZARD REWIND STARTER



ITEM NO.	PART NO.	DESCRIPTION	QUANTITY		
			436	636	776
1	402 5046	Rewind Starter Ass'y	1	1	1
2	402 0015	Lock Washer 6	4	4	4
3	402 5011	Hex. Screw M6x15	4	4	4
4	402 7058	Starter Housing	1	1	1
5	402 5036	Starter Stop	1	1	1
6	402 5037	Countersunk Screw M5x8	2	2	2
7-8-9	402 5023	Spring Cartridge Ass'y	1	1	1
7	402 5022	Rewind Spring	1	1	1
8	402 5038	Spring Guide	1	1	1
9	402 5044	Cover, Spring Guide	1	1	1
10	402 5047	Rope Sheave	1	1	1
11	402 5026	D-Washer	1	1	1
12	402 5028	Pivot Arm	1	1	1
13	402 5027	Friction Washer	1	1	1
14	402 5029	Pawl	2	2	2
15	402 5030	Pawl Spring	2	2	2
16	402 5031	Pawl Spring Stop	2	2	2
17	402 5032	Friction Spring	1	1	1
18	402 5033	Cover Washer	1	1	1
19	402 5034	Circlip	1	1	1
20	402 5016	Bolt 5x6, Starter Rope	1	1	1
21	402 5039	Rubber Buffer	1	1	1
22	402 5018	Starter Rope 1200MM	1	1	1
23	402 5019	Starter Grip	1	1	1

BLIZZARD REPAIR TOOLS

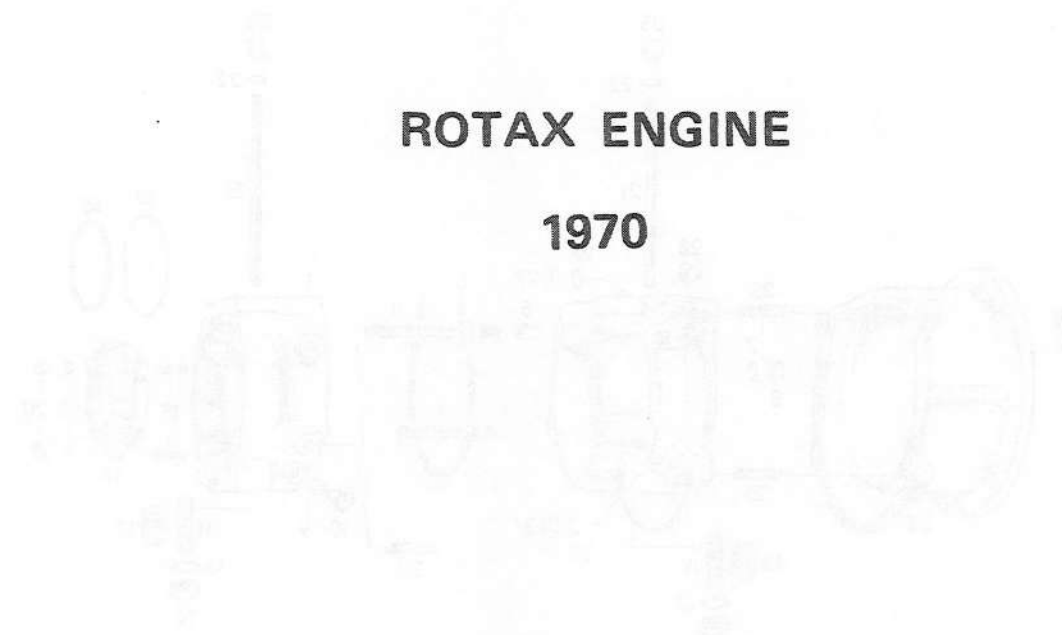


ITEM NO.	PART NO.	DESCRIPTION	QUANTITY		
			436	636	776
1-2-3-4	402 8025	Tool Set Ass'y	1	1	1
1	402 8023	Fork Wrench 10/13MM	1	1	1
2	402 8039	Bolt 8x130, Socket Wrench	1	1	1
3	402 8022	Socket Wrench 26MM, Spark Plug	1	1	1
4	402 8024	Socket Wrench 13MM	1	1	1
5	402 8001	Remover Ass'y Bearing 6305	1		
5	402 8002	Remover Ass'y Bearing 6306		1	1
6	402 8005	Protection Cap 18MM	1	1	1
7	402 8044	Puller Ass'y Flywheel	1	1	1
8	402 8045	Wrench To Hold Magneto Housing	1	1	1
9	402 9018	Gasket Set Ass'y	1		
9	402 9019	Gasket Set Ass'y		1	1
10	402 9015	Adhesive 1 Sarplast L700, Can	1	1	1



ROTAX ENGINE

1970

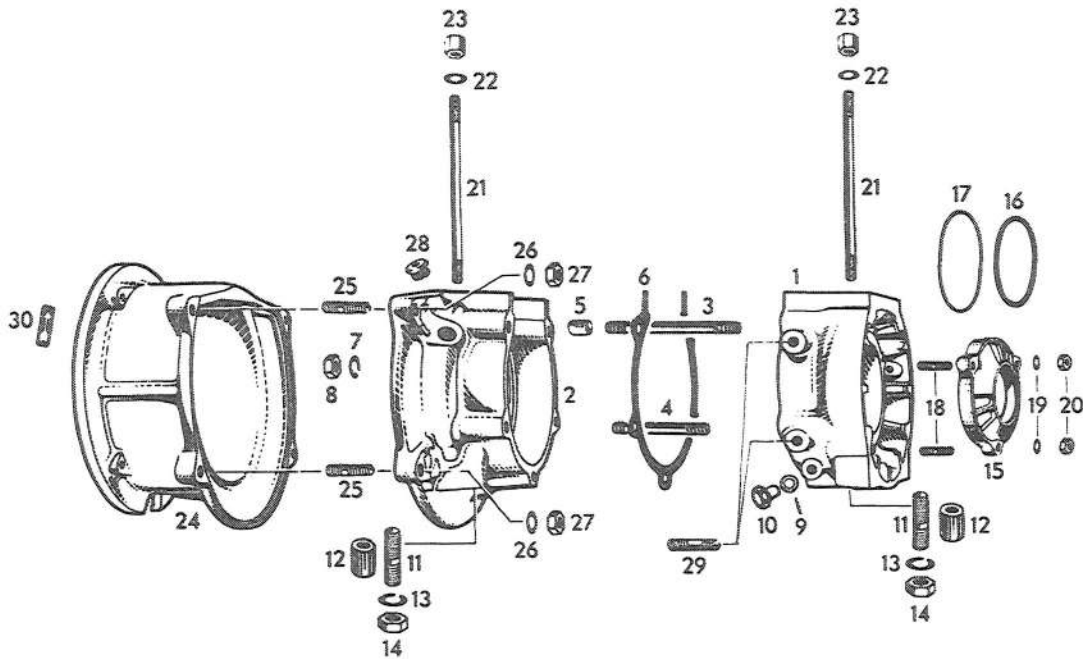


BLIZZARD 292

BLIZZARD 340

Part No.	Description	Part No.	Description
1000000	Engine Assembly	1000000	Engine Assembly
1000001	Cylinder Head	1000001	Cylinder Head
1000002	Piston	1000002	Piston
1000003	Crankshaft	1000003	Crankshaft
1000004	Carburetor	1000004	Carburetor
1000005	Ignition System	1000005	Ignition System
1000006	Clutch Assembly	1000006	Clutch Assembly
1000007	Transmission	1000007	Transmission
1000008	Output Shaft	1000008	Output Shaft
1000009	Propeller	1000009	Propeller
1000010	Propeller Nut	1000010	Propeller Nut
1000011	Propeller Washer	1000011	Propeller Washer
1000012	Propeller Lock Washer	1000012	Propeller Lock Washer
1000013	Propeller Pin	1000013	Propeller Pin
1000014	Propeller Pin Nut	1000014	Propeller Pin Nut
1000015	Propeller Pin Washer	1000015	Propeller Pin Washer
1000016	Propeller Pin Lock Washer	1000016	Propeller Pin Lock Washer
1000017	Propeller Pin Pin	1000017	Propeller Pin Pin
1000018	Propeller Pin Pin Nut	1000018	Propeller Pin Pin Nut
1000019	Propeller Pin Pin Washer	1000019	Propeller Pin Pin Washer
1000020	Propeller Pin Pin Lock Washer	1000020	Propeller Pin Pin Lock Washer

BLIZZARD CRANKCASE IGNITION HOUSING



ITEM NO.	PART NO.	DESCRIPTION	QUANTITY	
			292	340
1-2-3-4-5	402 0206	Crankcase Ass'y	1	1
3	402 0007	Stud M8 x 56	2	2
4	402 0009	Stud M8 x 46	3	3
5	402 1015	Dowel Tube 10 ϕ x 15	2	2
6	402 0014	Gasket, Crankcase	1	1
7	402 0016	Lock Washer 8	5	5
8	402 0017	Hex. Nut M8	5	5
9	402 0019	Sealing Ring	1	1
10	402 0020	Hex. Screw M8 x 9. Oil Drain	1	1
11	402 0023	Stud M10 x 42	4	4
12	402 0091	Distance Sleeve	4	4
13	402 0025	Lock Washer 10	4	4
14	402 0026	Hex Nut M10	4	4
15-16-17	402 0207	Bearing Cover W. O-Rings	1	1
16	402 0112	O-Ring	1	1
17	402 0208	O-Ring	1	1
18	402 0047	Stud M6 x 18	3	3
19	402 0015	Lock Washer 6	3	3
20	402 2053	Hex. Nut M6	3	3

BOMBARDIER LTD./LTEE

Cat. No. 486 1014

LITHO'D IN CANADA

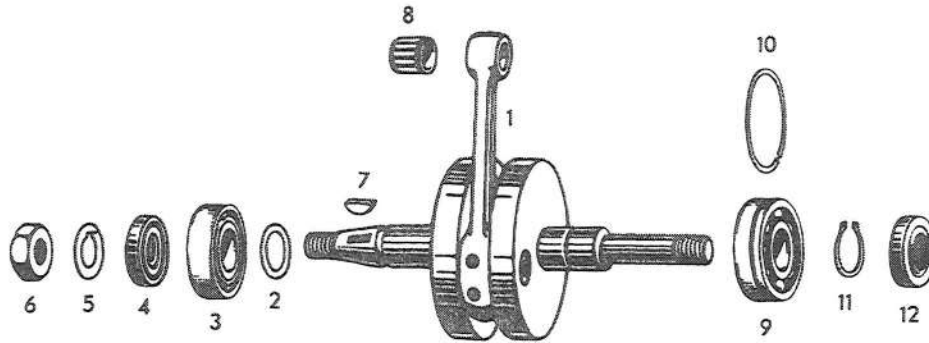
SECTION 2 - PAGE 84

December 1969.

BLIZZARD CRANKCASE, IGNITION HOUSING

ITEM NO.	PART NO.	DESCRIPTION	QUANTITY	
			292	340
21	402 0209	Stud M8	4	4
22	402 0031	Washer 8.4	4	4
23	402 2242	Hex. Nut M8	4	4
24	402 0210	Ignition Housing	1	1
25	402 0030	Stud M8 x 21.5	4	4
26	402 0016	Lock Washer 8	4	4
27	402 0018	Hex. Nut M8	4	4
28	402 0211	Cable Grommet	1	1
29	402 0212	Stud M8 x 13	2	2
30	402 0092	Direction Plate	1	1

BLIZZARD CRANKSHAFT, BEARINGS

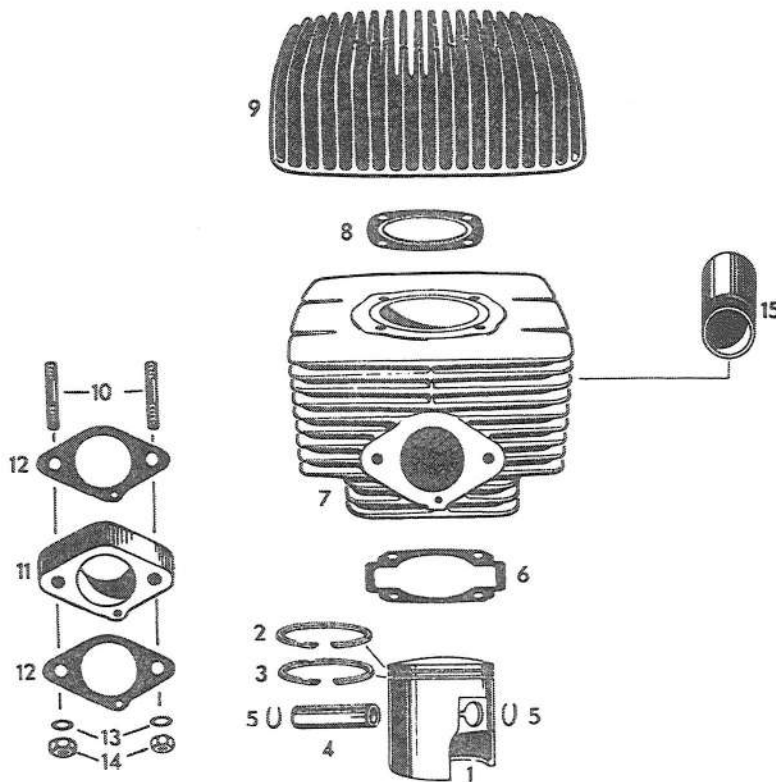


ITEM NO.	PART NO.	DESCRIPTION	QUANTITY	
			292	340
1	402 1255	Crankshaft Ass'y	1	
1	402 1256	Crankshaft Ass'y		1
2	402 1026	Shim 1.0MM	1	1
3	402 1257	Roller Bearing No 305	1	1
4	402 1258	Oil Seal :	1	1
5	402 1040	Lock Washer	1	1
6	402 1043	Hex. Nut M18 x 1.5	1	1
7	402 1010	Woodruff Key 5 x 6.5	1	1
8	402 1033	Needle Cage	1	1
9-10	402 1007	Ball Bearing 6306	1	1
10	402 1105	Groove Ring	1	1
11	402 1041	Lock Ring	1	1
12	402 1259	Oil Seal	1	1



REV	DESCRIPTION	DATE	BY
1	Initial Issue	1974-01-15	J. Smith
2	Change in material specification	1974-03-10	J. Smith
3	Change in dimensions	1974-05-20	J. Smith
4	Change in assembly sequence	1974-08-05	J. Smith
5	Change in part number	1974-10-15	J. Smith
6	Change in drawing scale	1975-01-10	J. Smith
7	Change in title block	1975-03-05	J. Smith
8	Change in revision history	1975-05-20	J. Smith
9	Change in drawing format	1975-08-10	J. Smith
10	Change in drawing title	1975-10-05	J. Smith

BLIZZARD, CYLINDER PISTON

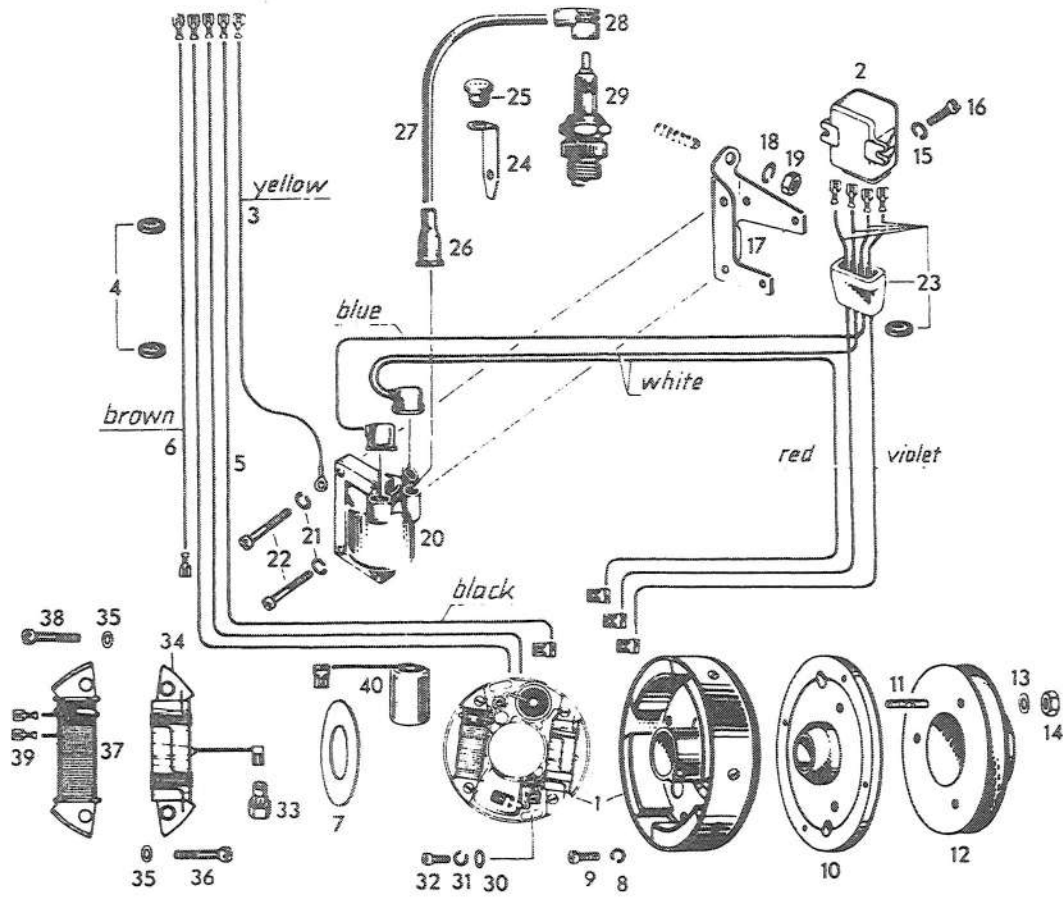


ITEM NO.	PART NO.	DESCRIPTION	QUANTITY	
			292	340
1-2-3	402 2259	Piston Ass. W. Rings 75.0ϕ Std	1	
	402 2260	Piston Ass. W. Rings 75.5ϕ 1st Oversize	1	
1-2-3	402 2261	Piston Ass. W. Rings 78.0ϕ Std		1
	402 2262	Piston Ass. W. Rings 78.5ϕ 1st Oversize		1
	402 2263	Piston Ass. W. Rings 79.0ϕ 2nd Oversize		1
2	402 2266	L-Ring 75.0ϕ Std	1	
	402 2267	L-Ring 75.5ϕ 1st Oversize	1	
2	402 2268	L-Ring 78.0ϕ Std		1
	402 2269	L-Ring 78.5ϕ 1st Oversize		1
	402 2270	L-Ring 79.0ϕ 2nd Oversize		1
3	402 2273	Rectangular Ring 75.0ϕ Std	1	
	402 2274	Rectangular Ring 75.5ϕ 1st Oversize	1	
3	402 1178	Rectangular Ring 78.0ϕ Std		1
	402 1179	Rectangular Ring 78.5ϕ 1st Oversize		1
	402 2275	Rectangular Ring 79.0ϕ 2nd Oversize		1
4	402 1064	Gudgeon Pin	1	1
5	402 1067	Circlip 18, Gudgeon Pin	2	2
6	402 2123	Gasket, Cylinder Flange	1	1
7	402 2277	Cylinder W. Sleeve	1	
7	402 2278	Cylinder W. Sleeve		1

BLIZZARD CYLINDER, PISTON

ITEM NO.	PART NO.	DESCRIPTION	QUANTITY	
			292	340
8	402 2280	Gasket, Cylinder Head	1	1
9	402 2282	Cylinder Head	1	
9	402 2283	Cylinder Head		1
10	402 2159	Stud M8 x 41	2	2
11	402 2171	Isolating Flange	1	1
12	404 0039	Tillotson Carburator Flange Gasket	2	2
13	402 2072	Isolating Washer	2	2
14	402 0018	Hex. Nut M8	2	2
15	402 2244	Exhaust Socket	1	1

BLIZZARD MAGNETO 12V 75W, MAGNETO HOUSING



ITEM NO.	PART NO.	DESCRIPTION	QUANTITY	
			292	340
1-2-3-4-5-6	402 4220	Magneto Generator Ass'y 12V 75W	1	1
3	402 4223	Mass Cable Ass'y Yellow 430MM	1	1
4	402 4224	Rubber Ring	2	2
5	402 4225	Shorting Cable Ass'y Black 525MM	1	1
6	402 4226	Rear Light Cable Ass'y Brown 510MM	1	1
7	402 4227	Isolating Plate	1	1
8	402 0015	Lock Washer 6	4	4
9	402 4148	Cyl. Screw M6 x 11.5	4	4
10	402 4208	Magneto Housing	1	1
11	402 5050	Stud M8x15	3	3
12	402 0162	V-Belt Pulley	1	1
13	402 1158	Locking Washer 8	3	3
14	402 2041	Hex. Nut M8	3	3
15	402 4023	Lock Washer 4	2	2
16	402 4056	Cyl. Screw M4 x 10	2	2

BOMBARDIER LTD./LTEE

Cat. No. 400 1014

LITHO'D IN CANADA

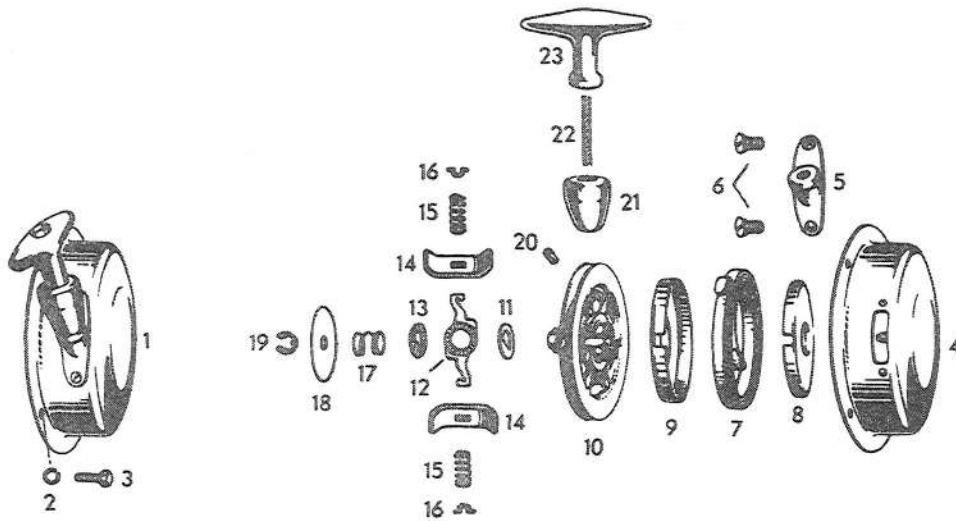
SECTION 2 - PAGE 90

December 1989.

ZARD MAGNETO 12V 75W, MAGNETO HOUSING

ITEM NO.	PART NO.	DESCRIPTION	QUANTITY	
			292	340
17	402 4228	Ignition Bracket	1	1
18	402 0016	Lock Washer 8	2	2
19	402 2041	Hex. Nut M8	2	2
20	402 7008	Ignition Coil	1	1
21	402 4024	Lock Washer 5	3	3
22	402 2229	Cyl. Screw M5 x 20	3	3
23	402 4229	Cable Set Ass'y	1	1
24	402 4230	Ignition Cable Bracket	1	1
25	402 4231	Grommet	1	1
26	402 7003	Protection Cap	1	1
27	402 4032	Ignition Cable 500MM	1	1
28	402 4076	Spark Plug Protector Ass'y	1	1
29	402 4081	Spark Plug M310 T31	1	1
30	402 4133	Washer 5.3	2	2
31	402 4024	Lock Washer 5	2	2
32	402 2227	Cyl. Screw M5 x 16 W. Int. Hex.	2	2
33	402 4217	Plug Insert Ass'y Red	1	1
33	402 4218	Plug Insert Ass'y Violet	1	1
33	402 4233	Plug Insert Ass'y White	1	1
34	402 4234	Charging Coil Ass'y W. Cable	1	1
35	402 4024	Lock Washer 5	4	4
36	402 2229	Cyl. Screw M5 x 20	2	2
37	402 4155	Lighting Coil W. Cables 700MM	1	1
38	402 4048	Cyl. Screw M5 x 28	2	2
39	402 4176	Faston Connector 6.3	2	2
40	402 4235	Condenser W. Cable	1	1

BLIZZARD - REWIND STARTER

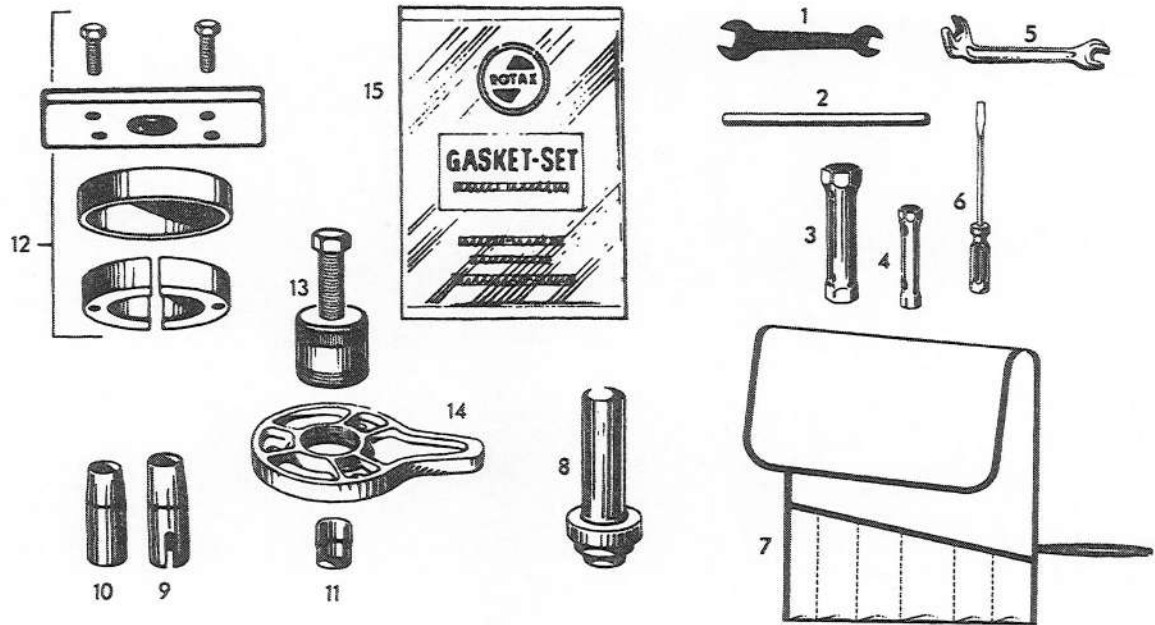


ITEM NO.	PART NO.	DESCRIPTION	QUANTITY	
			292	340
1	402 5046	Rewind Starter Ass'y	1	1
2	402 0015	Lock Washer 6	4	4
3	402 5011	Hex. Screw M6 x 15	4	4
4	402 7058	Starter Housing	1	1
5	402 5036	Starter Stop	1	1
6	402 5037	Countersunk Screw M5 x 8	2	2
7-8-9	402 5023	Spring Cartridge Ass'y	1	1
7	402 5022	Rewind Spring	1	1
8	402 5038	Spring Guide	1	1
9	402 5044	Cover Spring Guide	1	1
10	402 5047	Rope Sheave	1	1
11	402 5026	D-Washer	1	1
12	402 5028	Pivot Arm	1	1
13	402 5027	Friction Washer	1	1
14	402 5029	Pawl	2	2
15	402 5030	Pawl Spring	2	2
16	402 5031	Pawl Spring Stop	2	2
17	402 5032	Friction Spring	1	1
18	402 5033	Cover Washer	1	1
19	402 5034	Circlip	1	1
20	402 5016	Bolt 5 x 6, Starter Rope	1	1
21	402 5039	Rubber Buffer	1	1
22	402 5018	Starter Rope 1200MM	1	1
23	402 5019	Starter Grip	1	1

BOMBARDIER LTD./LTEE

Cat. No. 460 1014

BLIZZARD - REPAIR TOOLS GASKET SET

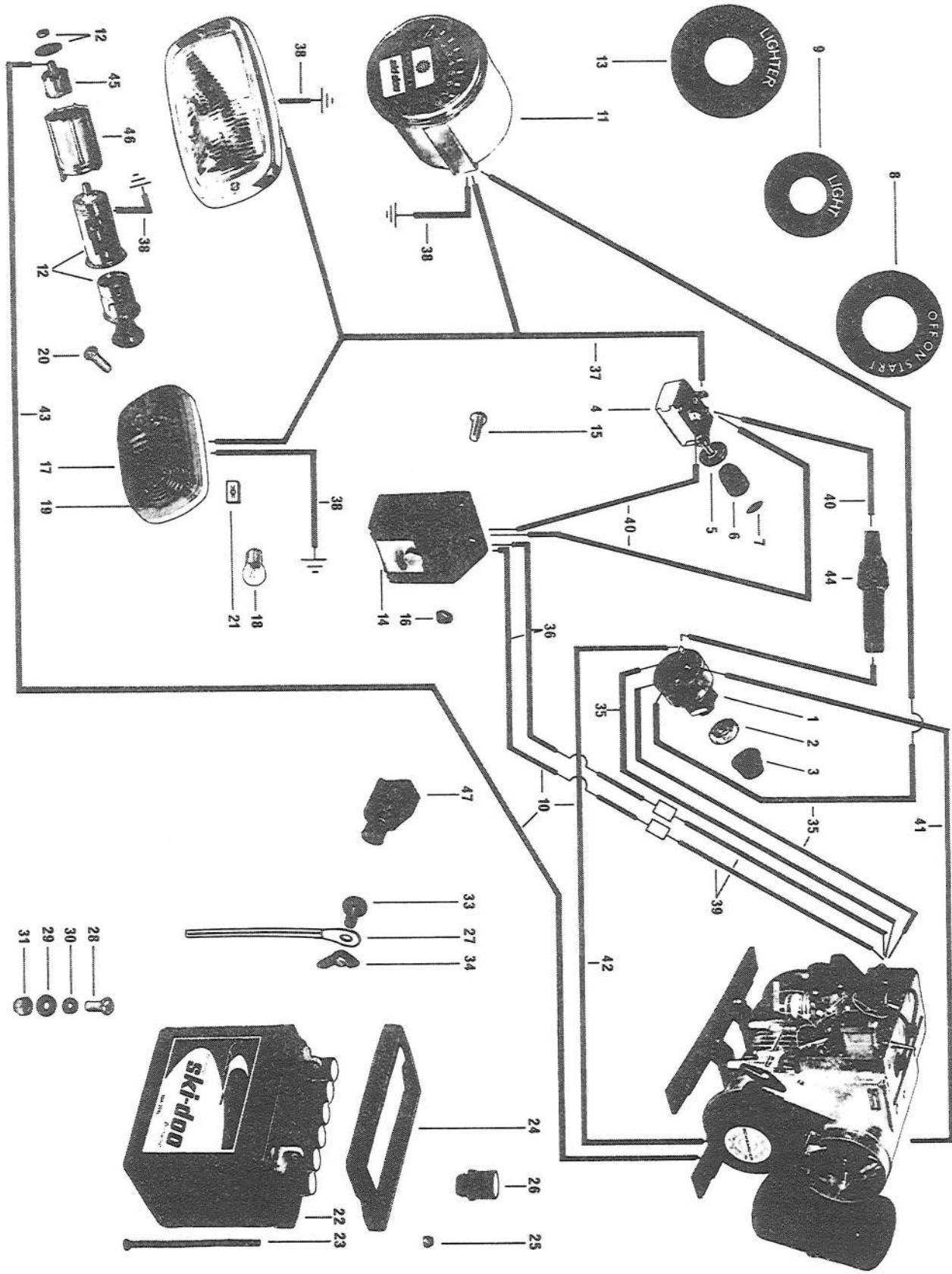


ITEM NO.	PART NO.	DESCRIPTION	QUANTITY	
			292	340
1-2-3-4				
5-6-7	402 8063	Tool Bag W. Tools Ass'y	1	1
1	402 8062	Fork Wrench 11/13MM	1	1
2	402 8039	Bolt 8 x 130, Socket Wrench	1	1
3	402 8060	Socket Wrench 21/26MM	1	1
4	402 8059	Socket Wrench 11/13MM	1	1
5	402 8049	Angular Wrench 10/13 MM	1	1
6	402 8061	Screw Driver	1	1
7	402 8058	Tool Bag	1	1
8	402 8028	Stamp To Mount Oil Seal, Magneto Side	1	1
8	402 8037	Stamp To Mount Oil Seal, P. T.O. Side	1	1
9	402 8010	Sleeve For Oil Seal, Magneto Side	1	1
10	402 8011	Sleeve For Oil Seal, P.T.O. Side	1	1
11	402 8005	Protection Cap 18MM	1	1
12	402 8002	Puller For Bearing 6306	1	1
13	402 8044	Puller Ass'y For Flywheel	1	1
14	402 8045	Wrench To Hold Magneto Housing	1	1
15	402 8064	Gasket Set Ass'y	1	1





ELECTRICAL (ALPINE)

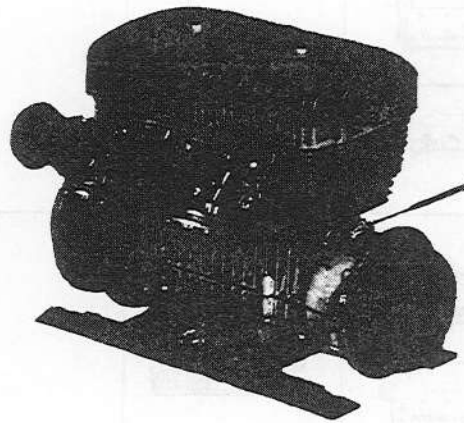
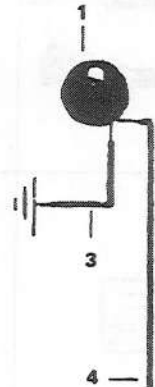


ELECTRICAL (ALPINE)

ITEM NO.	PART NO.	DESCRIPTION	QUANTITY		
			399	399E	640E
1	410 1006	Ignition Switch	1		
1	410 1009	Ignition Switch		1	1
2	410 1008	Face Nut	1	1	1
3	670 1503	Ignition Switch Boot	1	1	1
4	410 1004	Head Light Switch	1	1	1
5	410 1010	Face Nut	1	1	1
6	414 0251	Head Light Switch Knob	1	1	1
7	414 0345	Knob Decal	1	1	1
8	414 0501	Ignition Sticker	1		
8	414 0481	Ignition Sticker		1	
9	414 0502	Light Sticker	1	1	
10	515 0184	Harness Ass'y	1		
10	515 0185	Harness Ass'y		1	
10	515 0211	Harness Ass'y			1
11	414 0498	Tachometer			1
12	414 0321	Lighter		1	1
13	414 0495	Lighter Sticker		1	
14	410 9032	Rectifier		1	1
15	320 0061	Mach. Screw		2	2
16	387 3013	Nut		2	2
17	410 6016	Tail Lamp Ass'y	1	1	1
18	410 5006	Bulb	2	2	2
19	410 9019	Lens	1	1	1
20	321 6043	Screw	2	2	2
21	389 8010	Speed Nut	2	2	2
22	410 3002	Battery		1	1
23	515 0096	Rod		2	2
24	515 0156	Battery Cover		1	1
25	387 0019	Nut		2	2
26	410 3004	Battery Cap	6	6	6
27	409 6030	Ground Wire		1	1
27	409 6026	Current Wire		1	1
28	323 2102	Screw		1	1
29	399 9015	Flat Washer		1	1
30	399 8007	Lock Washer		1	1
31	387 2019	Nut		1	1
33	360 5020	Bolt (n)		1	1
33	360 5050	Bolt (p)		1	1
34	386 4019	Wing Nut (n)		1	1
34	386 4022	Wing Nut (p)		1	1
35	409 6021	Wire Black 16 GA (Mult 12'')	AR	AR	AR
36	409 6028	Wire Red/White 16 ga. (Mult 12'')	AR	AR	AR
37	409 6020	Wire Brown 16 ga. (Mult 12'')	AR	AR	AR
38	409 6022	Wire Yellow 16 ga. (Mult 12'')	AR	AR	AR
39	409 6029	Wire Red/Violet 16 ga. (Mult 12'')	AR	AR	AR
40	409 6018	Wire Red 16 ga. (Mult 12'')		AR	AR
41	109 5022	Wire Green 14 ga. (Mult 12'')		AR	AR
42	409 6025	Wire Red 14 ga. (Mult 12'')		AR	AR
43	414 0352	Lighter Wire		1	1
44	410 9038	Fuse Holder		1	1
	410 9040	Spirap Tubing	AR	AR	AR
45	414 0318	Breaker		1	1
46	414 0319	Socket Retainer		1	1
47	570 1505	Protection Cap		1	1

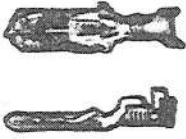
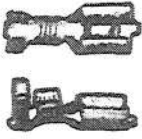
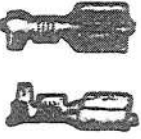





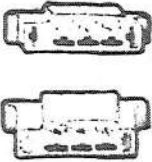




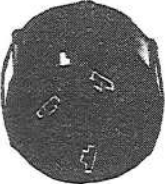

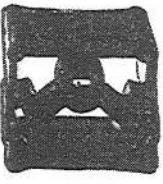


BLIZZARD ELECTRICAL



ITEM NO.	PART NO.	DESCRIPTION	QUANTITY				
			292	340	436	636	776
1	402 4222	Shorting Button	1	1	1	1	1
	402 4221	Shorting Button Clamp	1	1	1	1	1
2	414 0550	Tachometer	1	1	1	1	1
3	409 6022	Wire Yellow 16 Ga. Mult. 12" ...	AR	AR	AR	AR	AR
4	409 6021	Wire Black 16 Ga. Mult 12"	AR	AR	AR	AR	AR

TERMINAL

 1	 2	 3			
 4	 5	 6			
 7	 8				
 9	 10				
 11	 12	 13			
 14	 15	 16			

TERMINAL

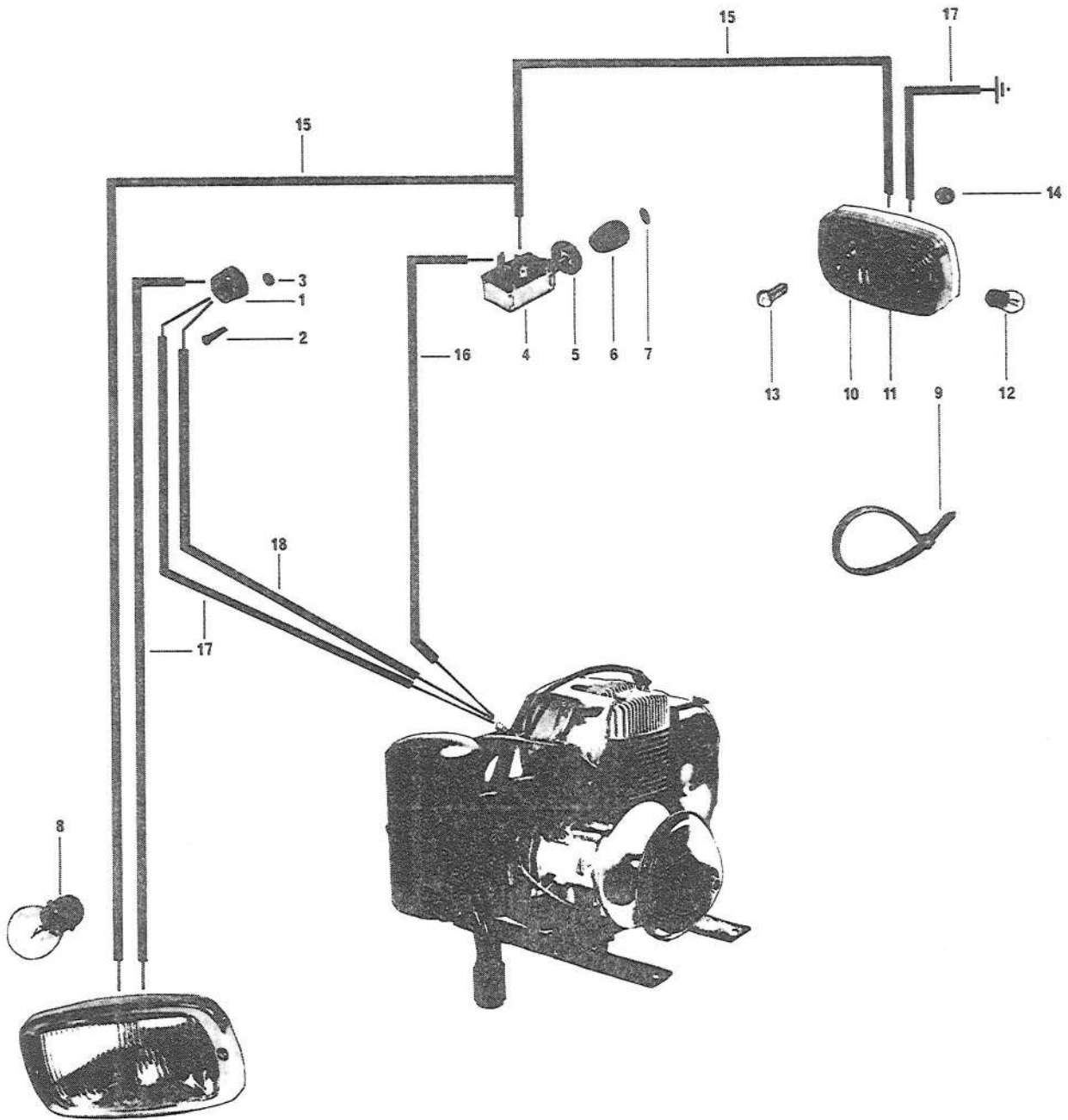
ITEM NO.	PART NO.	DESCRIPTION	QUANTITY
1	409 2010	Tab	Kit of 5
2	409 2022	Receptacle	Kit of 5
3	409 2014	Receptacle	Kit of 5
4	409 2013	Tab Housing	Kit of 5
5	409 2012	Receptacle Housing	Kit of 5
6	409 2023	Receptacle Housing (2 Circ)	Kit of 5
7	409 2019	Tab Housing (6 Circ)	1
8	409 2018	Receptacle Housing (6 Circ)	1
9	409 2021	Tab Housing (8 Circ)	1
10	409 2020	Receptacle Housing (8 Circ)	1
11	409 0018	Open Barrel	Kit of 5
12	409 0019	Open Barrel	Kit of 5
13	409 0020	Open Barrel	Kit of 5
14	410 9033	Ignition Switch Block	1
15	410 9034	Rectifier Block	1
16	410 9035	Headlight Switch Block	1



SECTION 3

ELECTRICAL

ELECTRICAL



ELECTRICAL

ITEM NO.	PART NO.	DESCRIPTION	QUANTITY
			335
1	402 4132	Shorting Button	1
2	337 7023	Screw	2
3	385 7009	Nut	2
4	410 1004	Headlight Switch	1
5	410 1010	Face Nut	1
6	414 0251	Knob	1
7	414 0345	Knob Decal	1
8	410 5009	Bulb 35W	1
9	114 0043	Hose Tie	1
10	410 9027	Tail Lamp Ass'y	1
11	410 9019	Tail Lamp Lens	1
12	410 5006	Bulb	2
13	355 0002	Screw	2
14	381 0001	Nut	2
15	409 6020	Wire Brown 16 Ga - (Mult. 12")	AR
16	409 6019	Wire Yellow W/Stripped Red 16 Ga - (Mult. 12")	AR
17	409 6022	Wire Yellow 16 Ga (Mult. 12")	AR
18	409 6021	Wire Black 16 Ga (Mult. 12")	AR
	410 9040	Spirap Tubing (Mult. 12")	AR
	409 9001	Housing 3/16 ϕ (Mult. 12")	AR
	515 0212	Harness Ass'y	1



SECTION 420-10ES

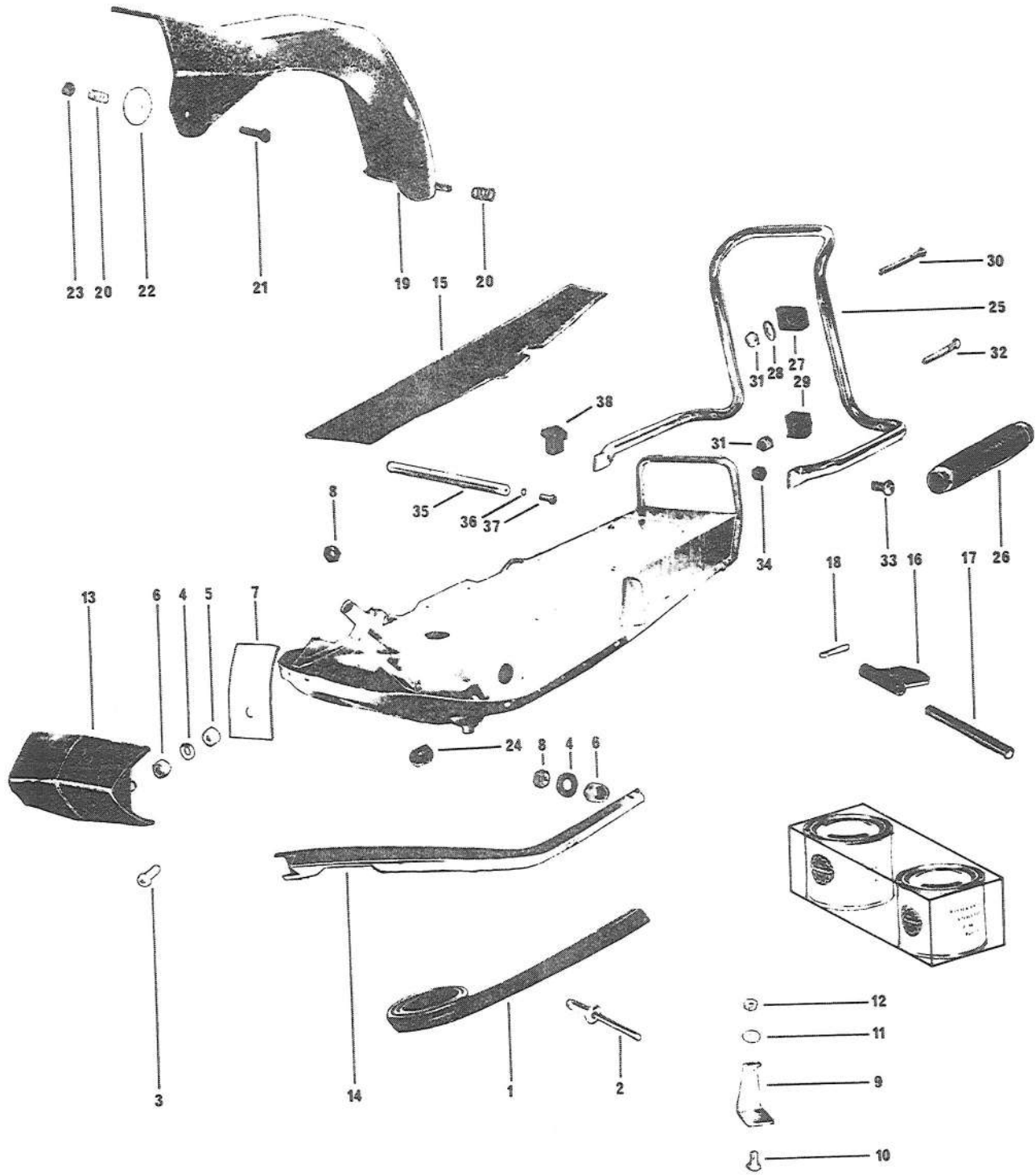


SECTION 4

FRAME

BODY

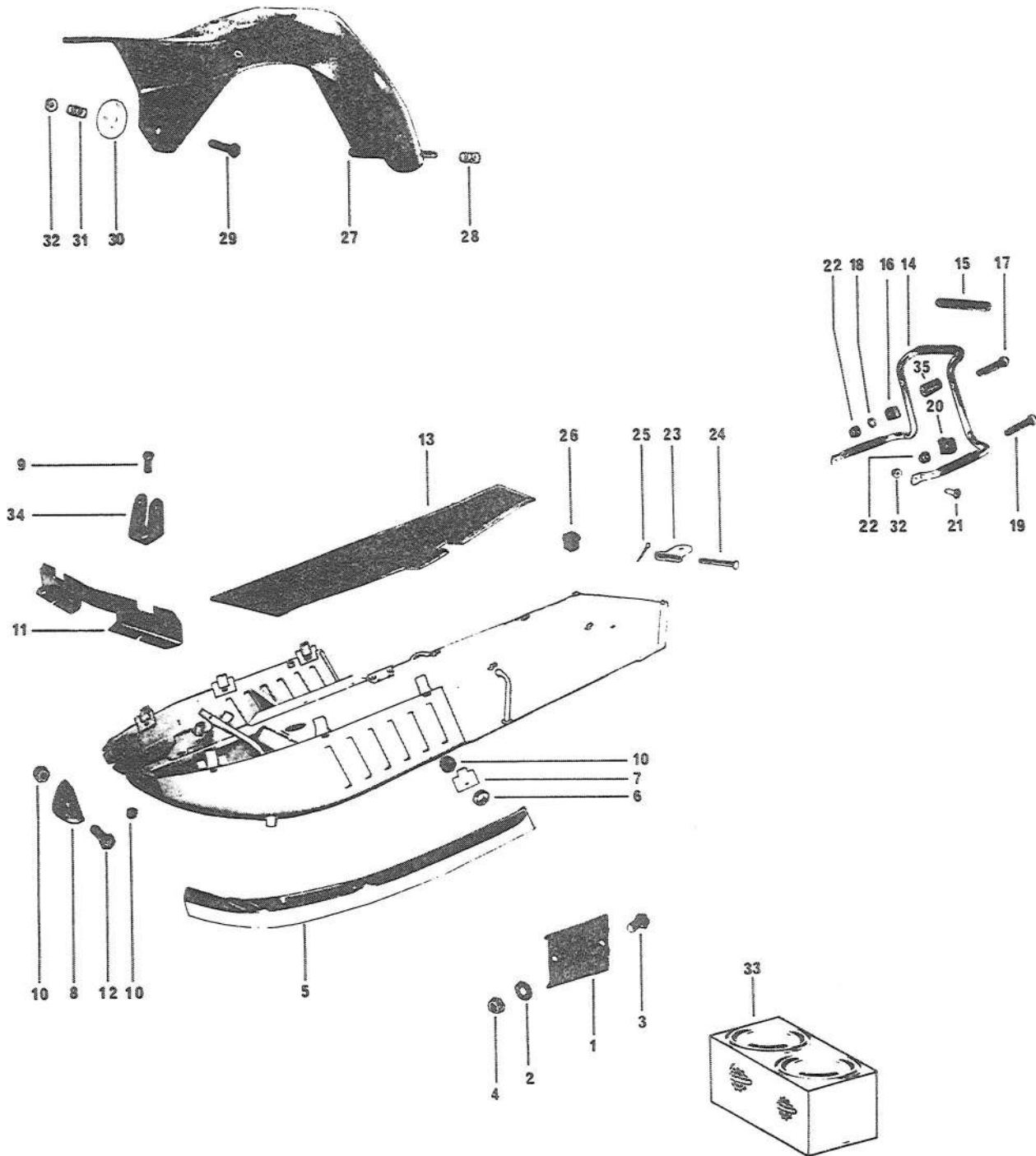
FRAME (OLYMPIC)



FRAME (OLYMPIC)

ITEM NO.	PART NO.	DESCRIPTION	QUANTITY										
			12/3	335	335E	399	TNT 292	TNT 340	TNT 292S	TNT 340S			
1	414 0779	Body Moulding	1										
2	390 9013	Rivet	22										
3	321 7133	Screw	2										
4	399 9007	Washer	2	8	8	8	8	8	8	8	8	8	8
5	517 0088	Spacer	2	2	2	2	2	2	2	2	2	2	2
6	517 0152	Spacer		6	6	6	6	6	6	6	6	6	6
7	517 0089	Cab Positioning Bracket.....	2	2	2	2	2	2	2	2	2	2	2
8	389 9011	Nut	2	8	8	8	8	8	8	8	8	8	8
9	518 0194	Latch Bracket	4	4	4	4	4	4	4	4	4	4	4
10	300 1000	Screw	4	4	4	4	4	4	4	4	4	4	4
11	399 9015	Washer	4	4	4	4	4	4	4	4	4	4	4
12	387 2019	Nut	4	4	4	4	4	4	4	4	4	4	4
13	570 1701	Front Bumper		1	1	1	1	1	1	1	1	1	1
14	517 0170	R.H. Side Bumper.....		1	1	1	1	1	1	1	1	1	1
14	517 0171	L.H. Side Bumper		1	1	1	1	1	1	1	1	1	1
15	570 1742	R.H. Foot Pad	1	1	1	1	1	1	1	1	1	1	1
15	570 1741	L.H. Foot Pad	1	1	1	1	1	1	1	1	1	1	1
16	517 0087	Hitch Plate	1	1	1	1	1	1	1	1	1	1	1
17	517 0097	Pin	1	1	1	1	1	1	1	1	1	1	1
18	371 8002	Cutter Pin	1	1	1	1	1	1	1	1	1	1	1
19	572 1722	Pulley Guard	1	1			1	1	1	1	1	1	1
19	571 1773	Pulley Guard			1								
19	561 7023	Pulley Guard				1							
20	414 0154	Spring	2	2	2	2	2	2	2	2	2	2	2
21	300 0004	Screw	1	1	1	1	1	1	1	1	1	1	1
22	517 0180	Retainer Washer	1	1	1	1	1	1	1	1	1	1	1
23	387 2019	Nut	1	1	1	1	1	1	1	1	1	1	1
24	408 7001	Drain Plug	1	1	1	1	1	1	1	1	1	1	1
25	580 2014	Rear Bumper.....		1	1	1							
25	580 0246	Rear Bumper.....					1	1	1	1	1	1	1
26	414 0016	Grip		3	3	3	3	3	3	3	3	3	3
27	570 1706	Skew Spacer	2	2	2	2							
28	391 0017	Washer	2	2	2	2							
29	570 1704	Rubber Spacer.....		4	4	4	2	2	2	2	2	2	2
30	320 1066	Screw	2										
30	327 3072	Screw		2	2	2							
31	387 3013	Nut	2	4	4	4	2	2	2	2	2	2	2
32	327 3070	Screw		2	2	2	2	2	2	2	2	2	2
33	330 5101	Screw		2	2	2							
34	387 2019	Nut		2	2	2							
35	517 0140	Cross Shaft					1	1	1	1	1	1	1
36	399 8001	Washer					2	2	2	2	2	2	2
37	300 1045	Screw					2	2	2	2	2	2	2
-	414 0066	Epoxy Glue	AR	AR	AR	AR	AR	AR	AR	AR	AR	AR	AR
38	570 1728	End Cap					2	2	2	2	2	2	2

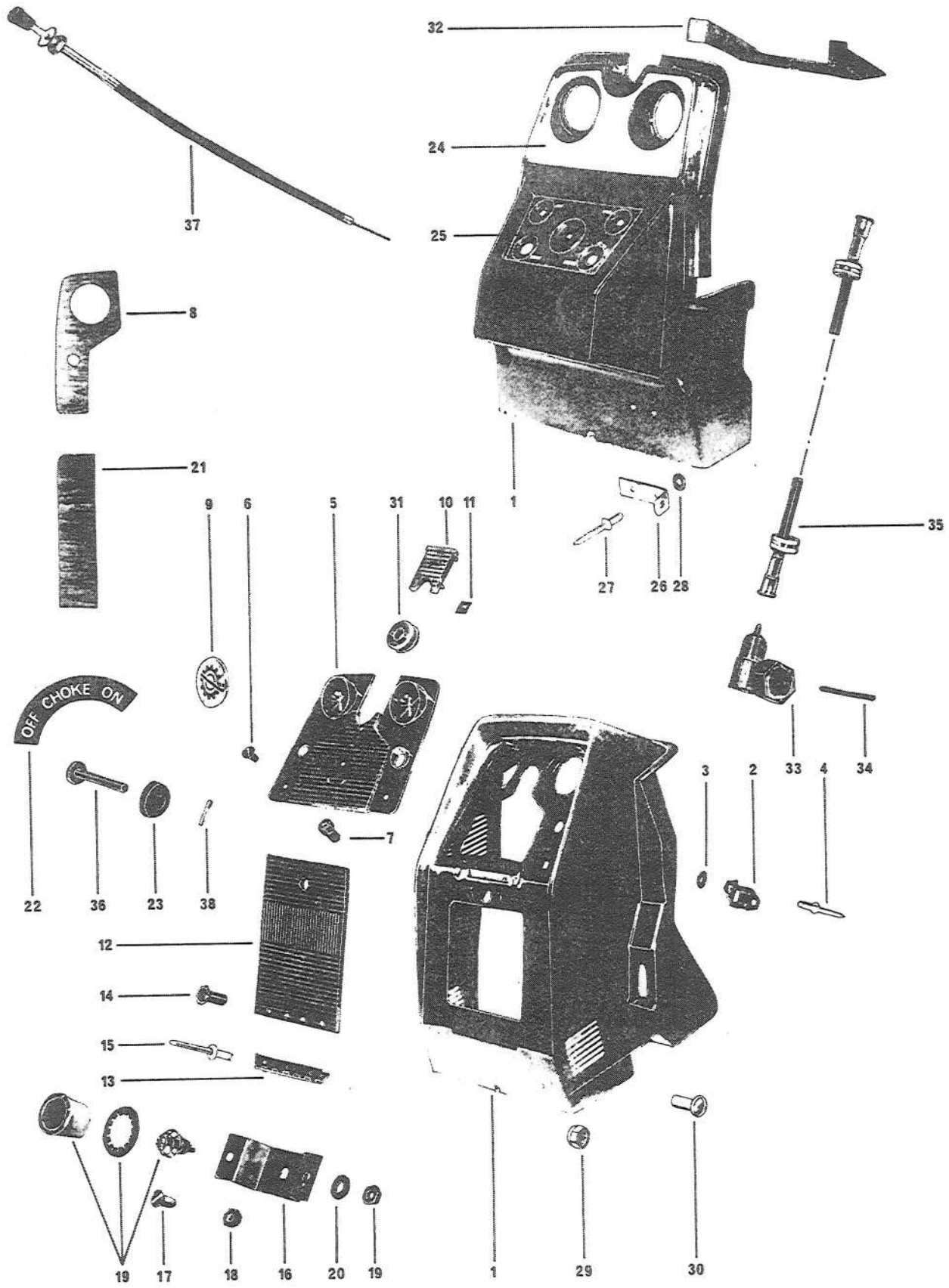
FRAME (NORDIC)



FRAME (NORDIC)

ITEM NO.	PART NO.	DESCRIPTION	QUANTITY						
			399	399E	640E	TNT 399	TNT 640	TNT 399S	TNT 640S
1	517 0117	L.H. Foot Rest	1	1		1		1	
1	517 0166	L.H. Foot Rest			1		1		1
2	399 9015	Washer	2	2	2	2	2	2	2
3	300 5001	Screw	2	2	2	2	2	2	2
4	386 9003	Nut	2	2	2	2	2	2	2
5	517 0269	R.H. Bumper	1	1	1	1	1	1	1
5	517 0120	L.H. Bumper	1	1	1	1	1	1	1
6	517 0152	Spacer	6	6	6	6	6	6	6
7	518 0103	Cabin Guide	6	6	6	6	6	6	6
8	570 1712	Front Bumper	1	1	1	1	1	1	1
9	300 5001	Screw	2	2	2	2	2	2	2
10	386 9003	Nut	9	9	9	9	9	9	9
11	517 0207	Snow Deflector	1	1	1	1	1	1	1
12	300 5003	Screw	1	1	1	1	1	1	1
13	570 1742	R.H. Foot Pad	1	1	1	1	1	1	1
13	570 1741	L.H. Foot Pad	1	1	1	1	1	1	1
14	580 0107	Rear Bumper	1	1	1				
14	580 0244	Rear Bumper				1	1	1	1
15	414 0191	Grip	1	1	1	1	1	1	1
15	414 0016	Grip	2	2	2	2	2	2	2
16	570 1706	Skew Spacer	2	2	2				
17	327 3072	Screw	2	2	2	2	2	2	2
18	399 9023	Washer	2	2	2				
19	327 3070	Screw	2	2	2				
20	570 1704	Rubber Spacer	2	2	2	2	2	2	2
21	330 5101	Screw	2	2	2	2	2	2	2
22	387 3013	Nut	4	4	4	2	2	2	2
23	517 0087	Hitch Plate	1	1	1	1	1	1	1
24	517 0097	Pin	1	1	1	1	1	1	1
25	371 8002	Cutter Pin	1	1	1	1	1	1	1
26	570 1728	End Cap	2	2	2	2	2	2	2
27	572 1722	Pulley Guard	1	1		1		1	
27	561 7023	Pulley Guard			1		1		1
28	414 0154	Spring	1	1	1	1	1	1	1
29	300 0004	Screw	1	1	1	1	1	1	1
30	517 0180	Retainer Washer	1	1	1	1	1	1	1
31	414 0154	Spring	1	1	1	1	1	1	1
32	387 2019	Nut	3	3	3	3	3	3	3
33	414 0066	Expoxy Glue	AR	AR	AR	AR	AR	AR	AR
34	517 0208	Hinge Bracket	2	2	2	2	2	2	2
35	570 1745	Rubber Spacer	2	2	2				

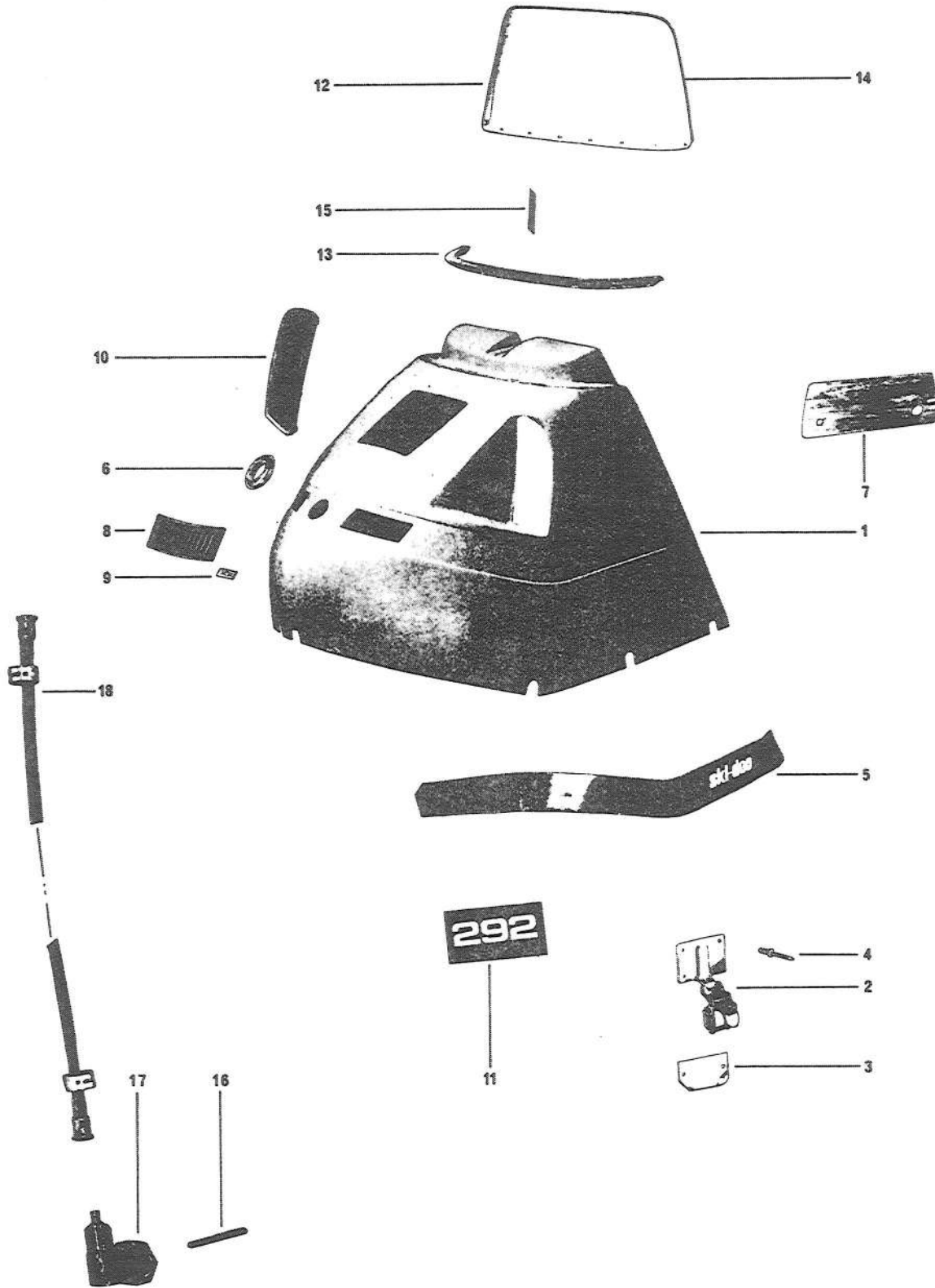
BODY (NORDIC)



BODY (NORDIC)

ITEM NO.	PART NO.	DESCRIPTION	QUANTITY						
			399	399E	640E	TNT 399	TNT 640	TNT 399S	TNT 640S
1	571 1769	Console	1						
1	571 1771	Console		1					
1	571 1788	Console			1				
2	414 0217	Anchor Clip	2	2					
3	399 9013	Washer	4	4					
4	390 4001	Pop Rivet	4	4					
5	571 1728	Upper Access Cover	1	1					
6	355 0011	Screw	2	2					
7	414 0213	Anchor Stud	2	2					
8	414 0388	L.H. Dash Panel	1	1					
8	414 0389	R.H. Dash Panel	1						
8	414 0409	R.H. Dash Panel		1					
9	414 0411	Bombardier Crest	1	1	1				
10	571 1729	Upper Cover Insert	1	1					
11	389 8027	Nut	4	4					
12	571 1730	Lower Access Cover	1	1					
13	517 0125	Hinge	1	1					
14	390 2003	Rivet	4	4					
15	390 4013	Pop Rivet	3	3					
16	517 0126	Bracket	1	1					
17	323 3061	Screw	2	2					
18	387 3013	Nut	2	2					
19	414 0199	Push Button	1	1					
20	391 0017	Washer	1	1					
21	414 0393	L.H. Console Panel	1						
21	414 0410	L.H. Console Panel		1					
21	414 0394	R.H. Console Panel	1	1					
22	414 0437	Choke Label	1	1					
23	414 0485	Grommet	1	1					
24	414 0454	Dash Panel			1				
25	414 0496	Instrument Panel			1				
26	517 0209	Hinge Bracket			2				
27	390 4013	Pop Rivet			4				
28	399 9001	Washer			4				
29	386 6019	Nut	4	4	2				
30	320 9102	Screw	4	4					
30	300 1000	Screw			2				
31	570 1713	Console Grommet	1	1	1				
32	517 0213	Console Support			1				
33	414 0195	Angle Drive			1	1	1	1	
34	414 0384	Coupling Cable			1	1	1	1	
35	414 0196	Drive Cable w/Housing			1				
35	414 0362	Drive Cable w/Housing				1	1	1	1
36	414 0396	Choke Knob	1	1					
37	414 0503	Choke Control			1				
38	371 0001	Cutter Pin	1	1					

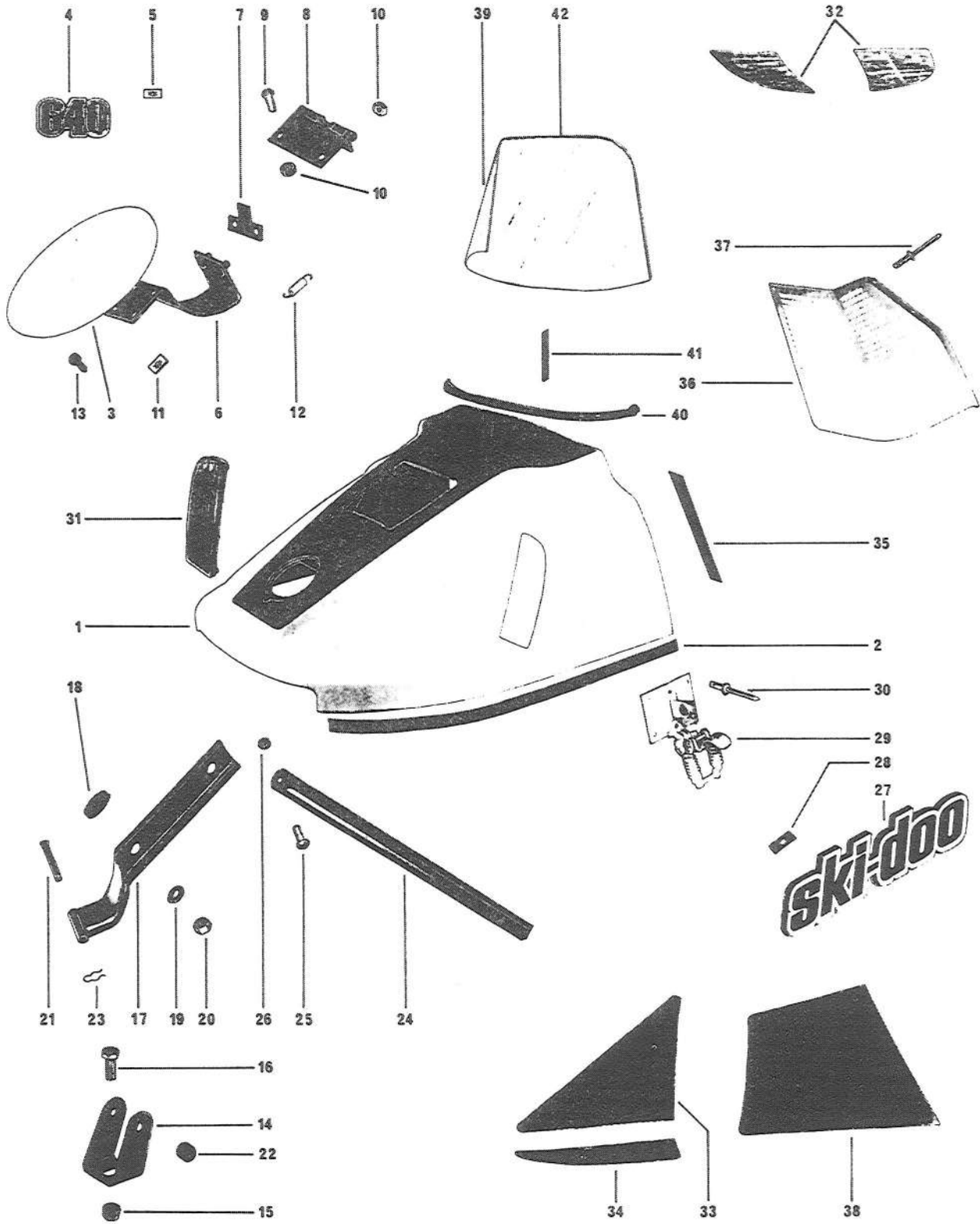
BODY (CAB OLYMPIC)



BODY (CAB OLYMPIC)

ITEM NO.	PART NO.	DESCRIPTION	QUANTITY							
			12/3	335	335E	399	TNT 292	TNT 340	TNT 292S	TNT 340S
1	571 1767	Cab	1				1		1	
1	571 1775	Cab		1		1				
1	571 1775	Cab			1			1		1
2	414 0309	Cabin Latch	4	4	4	4	4	4	4	4
3	517 0176	Guide Bracket	4	4	4	4	4	4	4	4
4	390 4019	Rivet	24	24	24	24	24	24	24	24
5	414 0598	R.H. Stripe	1	1	1	1	1	1	1	1
5	414 0599	L.H. Stripe	1	1	1	1	1	1	1	1
6	570 1719	Filler Pipe Grommet	1	1	1	1	1	1	1	1
7	414 0400	R.H. Dash Panel	1	1		1				
7	414 0407	R.H. Dash Panel			1					
7	414 0406	R.H. Dash Panel					1	1	1	1
7	414 0401	L.H. Dash Panel	1	1	1	1				
7	414 0408	L.H. Dash Panel					1	1	1	1
8	414 0232	R.H. Louvre	1	1	1	1	1	1	1	1
8	414 0233	L.H. Louvre	1	1	1	1	1	1	1	1
9	389 8019	Nut	8	8	8	8	8	8	8	8
10	414 0404	R.H. Deflector		1	1	1		1		1
10	414 0405	L.H. Deflector		1	1	1		1		1
11	414 0450	Identification Label					2		2	
11	414 0449	Identification Label						2		2
12	414 0484	Windshield	1	1	1	1	1	1	1	1
13	570 1716	Windshield Anchor Strip	1	1	1	1	1	1	1	1
14	414 0480	Windshield Protector	1	1	1	1	1	1	1	1
15	517 0142	Windshield Anchor Tab	9	9	9	9	9	9	9	9
16	414 0384	Coupling Cable					1	1	1	1
17	414 0195	Angle Drive					1	1	1	1
18	414 0196	Drive Cable & Housing					1	1	1	1

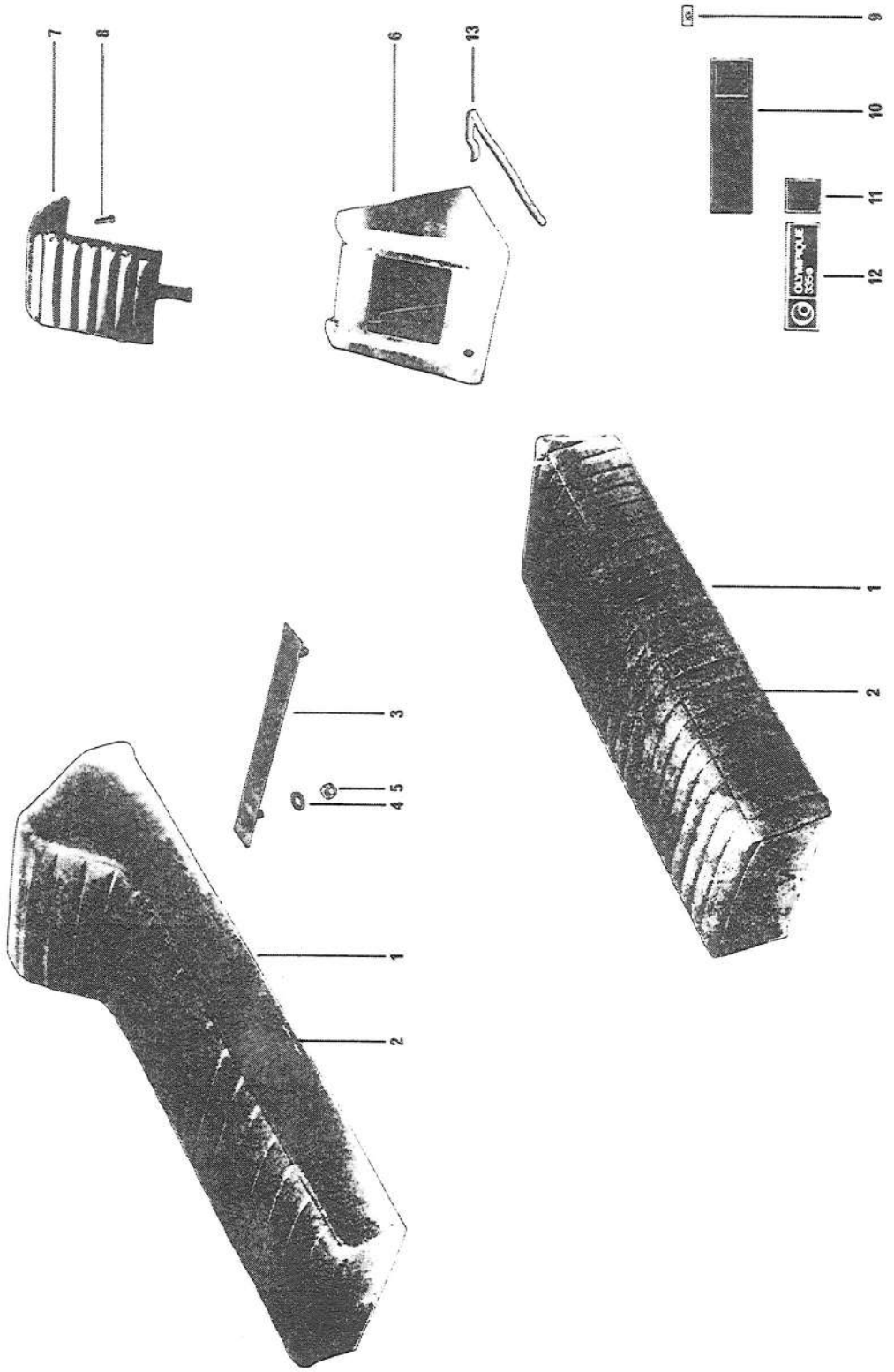
BODY (NORDIC)



BODY (NORDIC)

ITEM NO.	PART NO.	DESCRIPTION	QUANTITY							
			399	399E	640E	TNT 399	TNT 640	TNT 399S	TNT 640S	
1	561 7040	Cab (Plastic)	1	1						
1	571 1779	Cab.....			1					
1	571 1778	Cab				1	1	1	1	
2	414 0206	Cabin Stripe (Mult 12").....	2	2	2					
3	572 1702	Filler Door	1	1						
3	571 1737	Filler Door			1					
3	561 7013	Filler Door				1	1	1	1	
4	414 0456	Identification Crest.....					1			1
4	414 0455	Identification Crest.....				1		1		
5	389 8019	Speed Nut				2	2	2	2	2
6	513 0039	Hinge Bracket			1	1	1	1	1	1
7	513 0040	Spring Plate			1	1	1	1	1	1
8	582 0103	Hinge w/pin			1	1	1	1	1	1
9	320 1062	Screw	2	2	2	2	2	2	2	2
10	386 6013	Nut	2	2	2	2	2	2	2	2
10	387 3013	Nut			2	2	2	2	2	2
11	389 8030	Speed Nut			4	4	4	4	4	4
12	414 0459	Spring	1	1						
13	570 1714	Door Stop	2	2	2	2	2	2	2	2
14	517 0208	Hinge Bracket	2	2	2	2	2	2	2	2
15	386 9003	Nut	2	2	2	2	2	2	2	2
16	300 5001	Screw	2	2	2	2	2	2	2	2
17	517 0220	Cabin Hinge L.H.....			1	1	1	1	1	1
17	517 0221	Cabin Hinge R.H.....			1	1	1	1	1	1
18	570 1711	Insulator Rubber			4	4	4	4	4	4
19	399 9008	Washer			4	4	4	4	4	4
20	387 5019	Nut			4	4	4	4	4	4
21	517 0122	Hinge Pin.....	2	2						
21	517 0222	Hinge Pin			2	2	2	2	2	2
22	570 1750	Grommet	2	2						
22	414 0512	Grommet w/Groove.....	2	2						
23	414 0189	Retainer Clip	2	2	2	2	2	2	2	2
24	517 0137	Cabin Holder	1	1	1	1	1	1	1	1
25	320 1062	Screw	1	1	1	1	1	1	1	1
26	386 6013	Nut	1	1	1	1	1	1	1	1
27	414 0212	Name Plate	2	2	2					
27	414 0466	Name Plate				2	2	2	2	2
28	389 8019	Speed Nut	6	6	6	6	6	6	6	6
29	414 0309	Cabin Latch	2	2	2	2	2	2	2	2
30	390 4019	Pop Rivet	8	8	8	8	8	8	8	8
31	414 0404	R.H. deflector.....	1	1	1	1	1	1	1	1
31	414 0405	L.H. Deflector	1	1	1	1	1	1	1	1
32	414 0390	L.H. Dash Pad.....	1	1	1					
32	414 0391	R.H. Dash Pad.....	1	1	1					
33	414 0445	L.H. Side Scoop Decal	1	1	1					
33	414 0446	R.H. Side Scoop Decal	1	1	1					
34	414 0443	L.H. Bottom Scoop Decal	1	1	1					
34	414 0444	R.H. Bottom Scoop Decal.....	1	1	1					
35	414 0211	Contour CAB Moulding Mult 12"			AR					
36	517 0135	L.H. Lower Grille			1					
36	517 0136	R.H. Lower Grille			1					
37	390 4019	Pop Rivet			20					
38	414 0474	R.H. Side Inlay.....				1	1	1	1	1
38	414 0475	L.H. Side Inlay.....				1	1	1	1	1
39	414 0483	Windshield	1	1	1					
39	414 0306	Windshield.....				1	1	1	1	1
40	570 1715	Windshield Anchor Strip	1	1	1					
40	570 1734	Windshield Anchor Strip				1	1	1	1	1
41	517 0142	Windshield Anchor Tab	9	9	9	9	9	9	9	9
42	414 0480	Windshield Protector	1	1	1	1	1	1	1	1

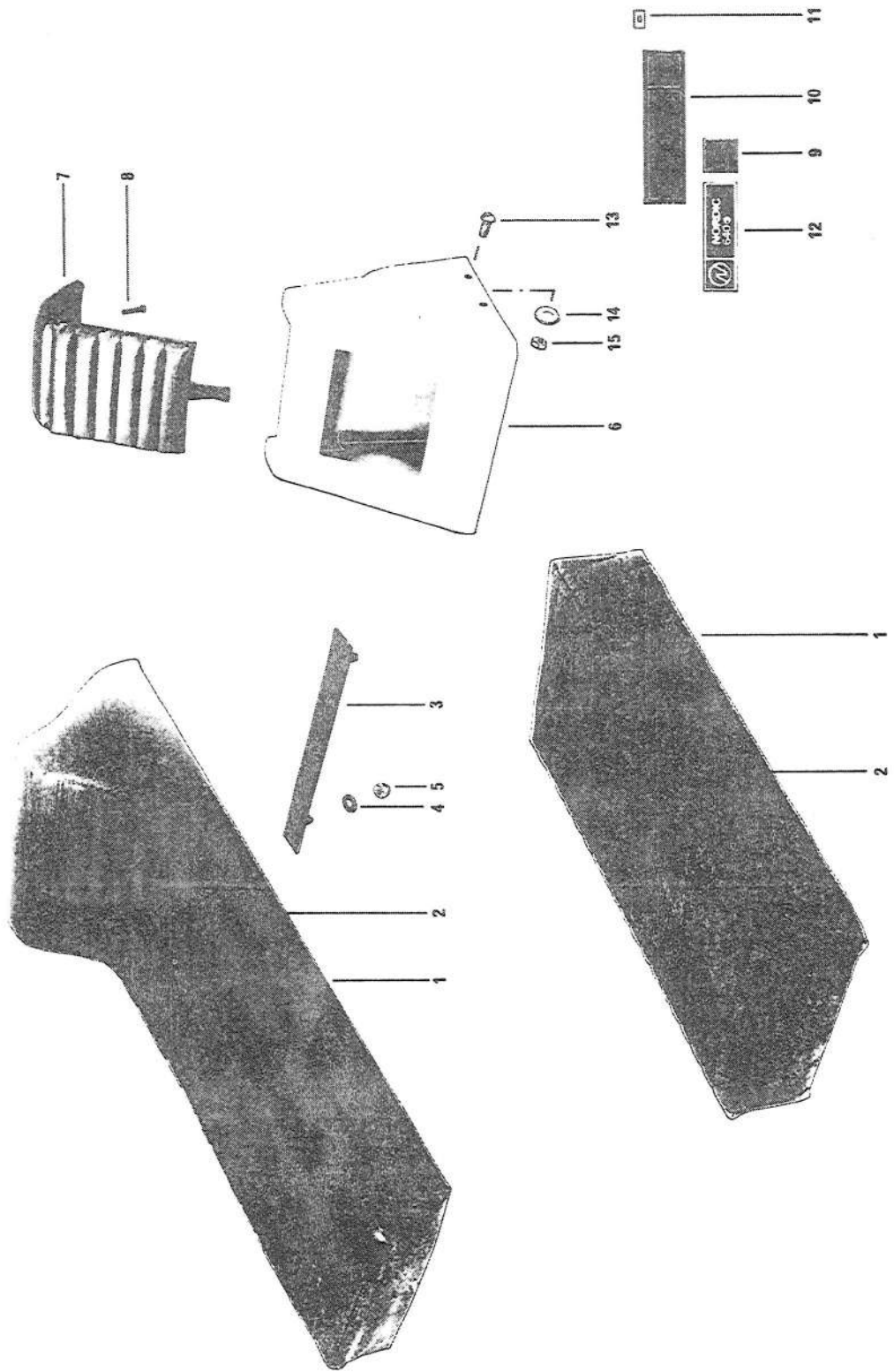
BODY (OLYMPIC)



BODY (OLYMPIC)

ITEM NO.	PART NO.	DESCRIPTION	QUANTITY										
			12 3	335	335E	399	TNT 292	TNT 340	TNT 292S	TNT 340S			
1	580 1077	Seat w/leatherette.....	1										
1	580 1086	Seat w/leatherette		1		1							
1	580 1091	Seat w/leatherette			1								
1	580 0232	Seat w/leatherette					1	1	1	1			
-	414 0438	Foam (seat)	1	1	1	1	1	1	1	1	1	1	1
2	414 0387	Leatherette	1										
2	414 0413	Leatherette		1		1							
2	414 0414	Leatherette			1								
2	414 0453	Leatherette					1	1	1	1	1	1	1
3	517 0164	Stud Plate					1	1	1	1	1	1	1
4	399 9015	Washer					2	2	2	2	2	2	2
5	386 9003	Nut					2	2	2	2	2	2	2
6	571 1777	Backrest Housing	1	1	1	1							
7	414 0417	Covering	1										
7	414 0418	Covering		1	1	1							
8	321 6043	Screw	2	2	2	2							
9	389 8019	Nut	6	6	6	6							
10	414 0412	Reflector Plate	2	2	2	2							
11	517 0325	Reflector	2	2	2	2							
12	414 0423	Identification Label	2										
12	414 0425	Identification Label		2									
12	414 0426	Identification Label			2								
12	414 0428	Identification Label				2							
13	414 0164	Backrest Strip	1	1	1	1							

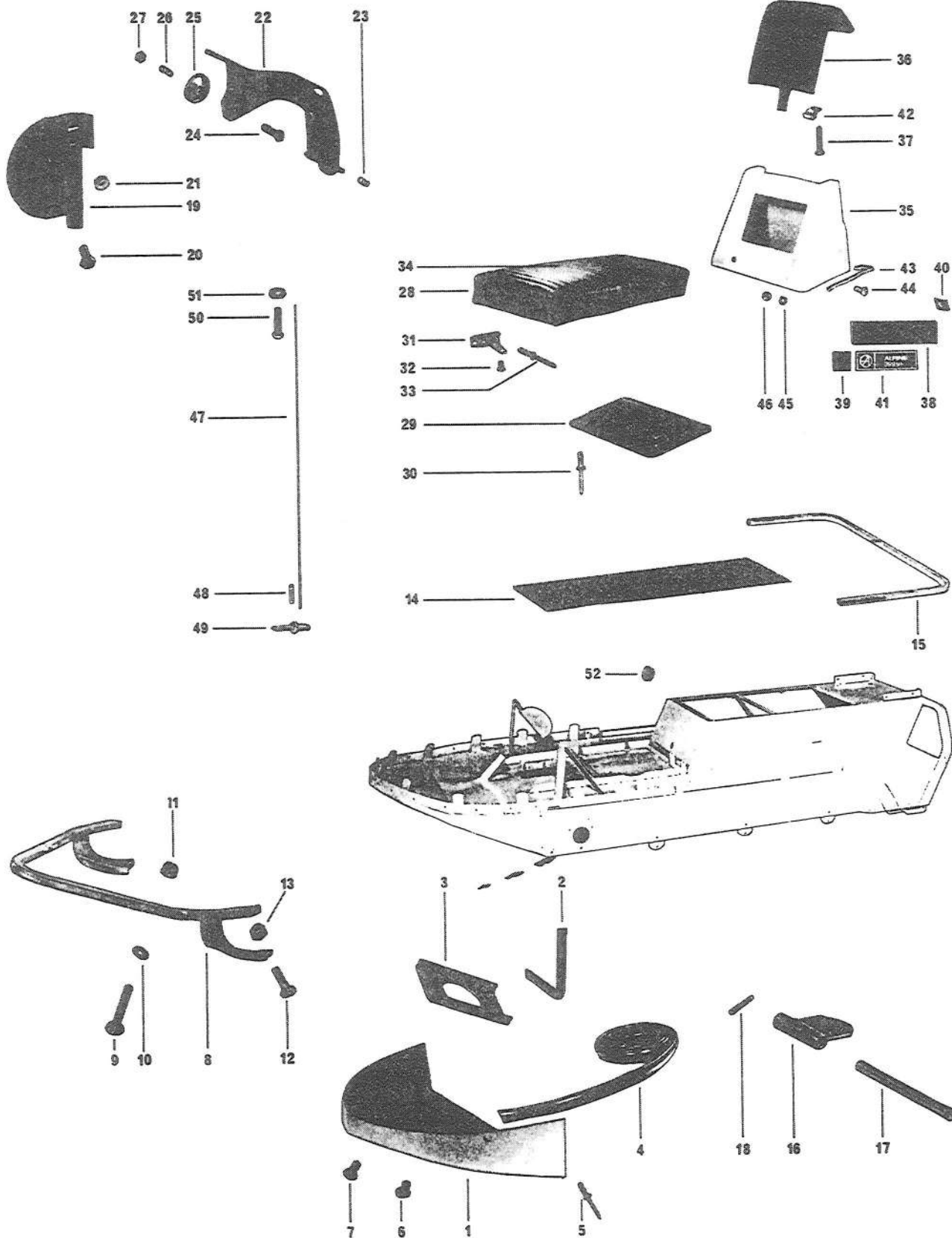
BODY (NORDIC)



BODY (NORDIC)

ITEM NO.	PART NO.	DESCRIPTION	QUANTITY						
			399	399E	640E	TNT 399	TNT 640	TNT 399S	TNT 640S
1	580 0139	Seat w/leatherette	1						
1	580 0143	Seat w/leatherette, current wire		1	1				
1	580 0226	Seat w/leatherette				1	1	1	1
2	414 0392	Leatherette	1	1	1				
2	414 0440	Leatherette				1	1	1	1
-	414 0439	Foam (seat)	1	1	1	1	1	1	1
3	517 0164	Stud Plate				1	1	1	1
4	399 9015	Washer				2	2	2	2
5	386 9003	Nut				2	2	2	2
6	571 1776	Backrest Housing	1	1	1				
7	414 0395	Covering	1	1	1				
8	321 6045	Screw	2	2	2				
9	517 0325	Reflector	2	2	2				
10	414 0412	Reflector Plate	2	2	2				
11	389 8019	Speed Nut	6	6	6				
12	414 0429	Identification Label	2						
12	414 0430	Identification Label		2					
12	414 0431	Identification Label			2				
13	320 9102	Screw	6	6	6				
14	399 9015	Washer	6	6	6				
15	387 2019	Nut	6	6	6				

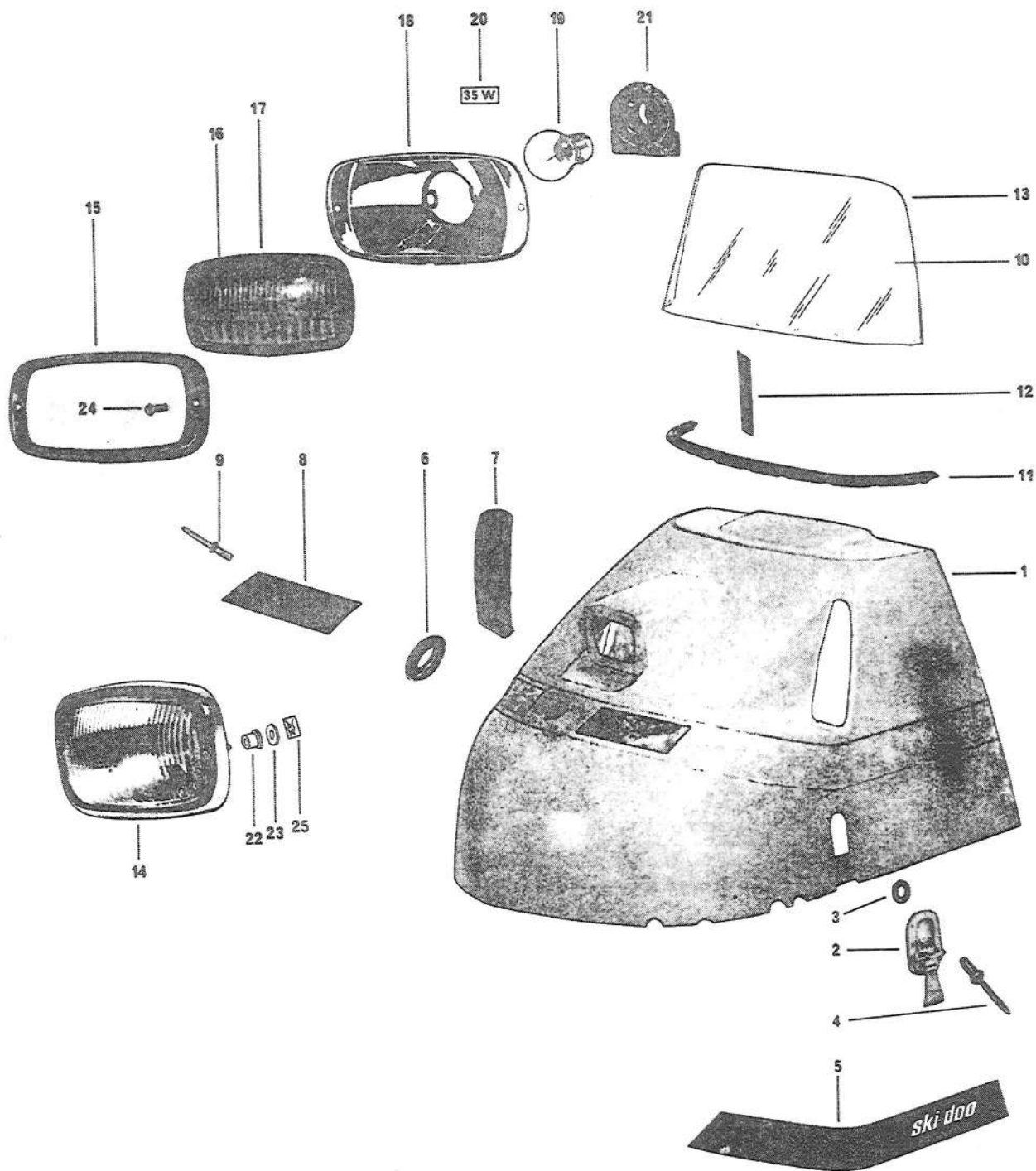
BODY (ALPINE)



BODY (ALPINE)

ITEM NO.	PART NO.	DESCRIPTION	QUANTITY		
			399	399E	640E
1	571 1762	Front Bottom Plate	1	1	1
2	414 0188	Plastic Sealer (Mult 12'')	1	1	1
3	517 0054	Plate Seal	1	1	1
4	414 0038	Body Moulding	1	1	1
5	390 4004	Pop Rivet	14	14	14
6	390 2002	Tubular Rivet	4	4	4
7	390 2001	Tubular Rivet	8	8	8
8	517 0161	Ski Holder	1	1	1
9	327 5106	Mach. Screw	4	4	4
10	399 9015	Washer	4	4	4
11	386 6019	Nut	4	4	4
12	300 3041	Cap Screw	2	2	2
13	389 8037	Nut	2	2	2
14	407 9001	Foot Pad	2	2	2
15	518 0213	Jack	1	1	1
16	517 0087	Hitch Plate	1	1	1
17	517 0097	Pin	1	1	1
18	371 8002	Cotter Pin	1	1	1
19	517 0185	Pulley Guard Holder	1	1	1
20	300 0004	Cap Screw	1	1	1
21	386 6019	Nut	1	1	1
22	581 7023	Pulley Guard	1	1	1
23	414 0154	Spring	1	1	1
24	300 0004	Screw	1	1	1
25	517 0180	Retainer Washer	1	1	1
26	414 0154	Spring	1	1	1
27	387 2019	Nut	1	1	1
28	580 3041	Seat	1	1	1
29	571 1724	Offset Cover	1	1	1
30	390 4012	Pop Rivet	6	6	6
31	414 0151	Hinge	2	2	2
32	324 1060	Screw	6	6	6
33	390 4011	Pop Rivet	6	6	6
34	414 0422	Leatherette	1	1	1
	414 0438	Foam	1	1	1
35	571 1786	Backrest Housing	1	1	1
36	414 0418	Covering	1	1	1
37	321 6046	Screw	2	2	2
38	414 0412	Reflector Plate	2	2	2
39	517 0325	Reflector	2	2	2
40	389 8019	Speed Nut	6	6	6
41	414 0432	Identification Label	2		
41	414 0433	Identification Label		2	
41	414 0434	Identification Label			2
42	517 0096	Clip	1	1	1
43	414 0164	Backrest Strip	1	1	1
44	320 9102	Machine Screw	6	6	6
45	399 9015	Washer	6	6	6
46	387 2019	Nut	6	6	6
47	414 0385	Seat Cable (Mult 12'')	AR	AR	AR
48	409 0012	Parallele Connector	2	2	2
49	390 4013	Pop Rivet	1	1	1
50	320 1061	Mach. Screw	1	1	1
51	391 0017	Washer	1	1	1
52	670 1701	Grommet	2	2	2

CABIN (ALPINE)



CABIN (ALPINE)

ITEM NO.	PART NO.	DESCRIPTION	QUANTITY		
			399	399E	640E
1	571 1772	Cab	1	1	1
2	414 0062	Hood Catch	2	2	2
3	399 9003	Washer	14	14	14
4	390 4014	Pop Rivet	14	14	14
5	414 0597	R. H. Stripe	1	1	1
5	414 0597	L. H. Stripe	1	1	1
6	570 1719	Filler Pipe Grommet	1	1	1
7	414 0404	R. H. Deflector	1	1	1
7	414 0405	L. H. Deflector	1	1	1
8	414 0283	R. H. Louvre	1	1	1
8	414 0284	L. H. Louvre	1	1	1
9	390 4007	Pop Rivet	12	12	12
10	414 0472	Windshield	1	1	1
11	570 1720	Windshield Anchor Strip	1	1	1
12	517 0142	Windshield Anchor Tab	9	9	9
13	414 0480	Windshield Protector (Mult 12'')	AR	AR	AR
14	410 6010	Projector	1	1	1
15	410 6012	Chromed Ring	1	1	1
16	410 6014	Glass	1	1	1
17	410 6013	Rubber Ring	1	1	1
18	C. S. A.	Reflector	1	1	1
19	410 5011	Bulb 60W	1		
19	410 5009	Bulb 35W		1	1
20	414 0476	Label 60W	1		
20	414 0280	Label 35W		1	1
21	410 6015	Socket	1	1	1
22	C. S. A.	Blank	2	2	2
23	C. S. A.	Washer	2	2	2
24	410 6011	Screw	2	2	2
25	389 8010	Speed Nut	2	2	2

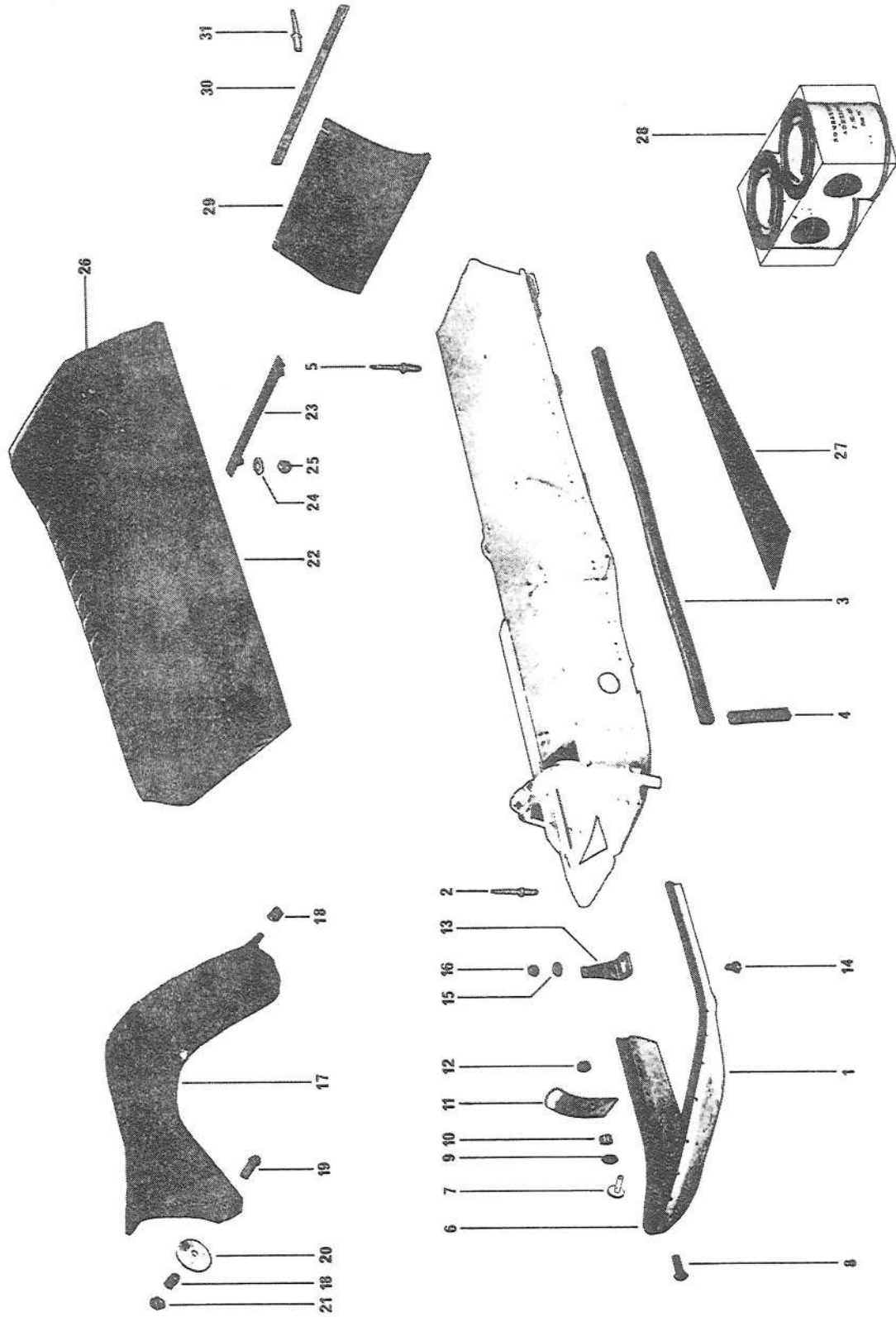


TNT 775s

1970

**REFER TO TNT 640s
EXCEPT: SECTION 4 PAGE 11 #4
WHICH IS 414-0538**

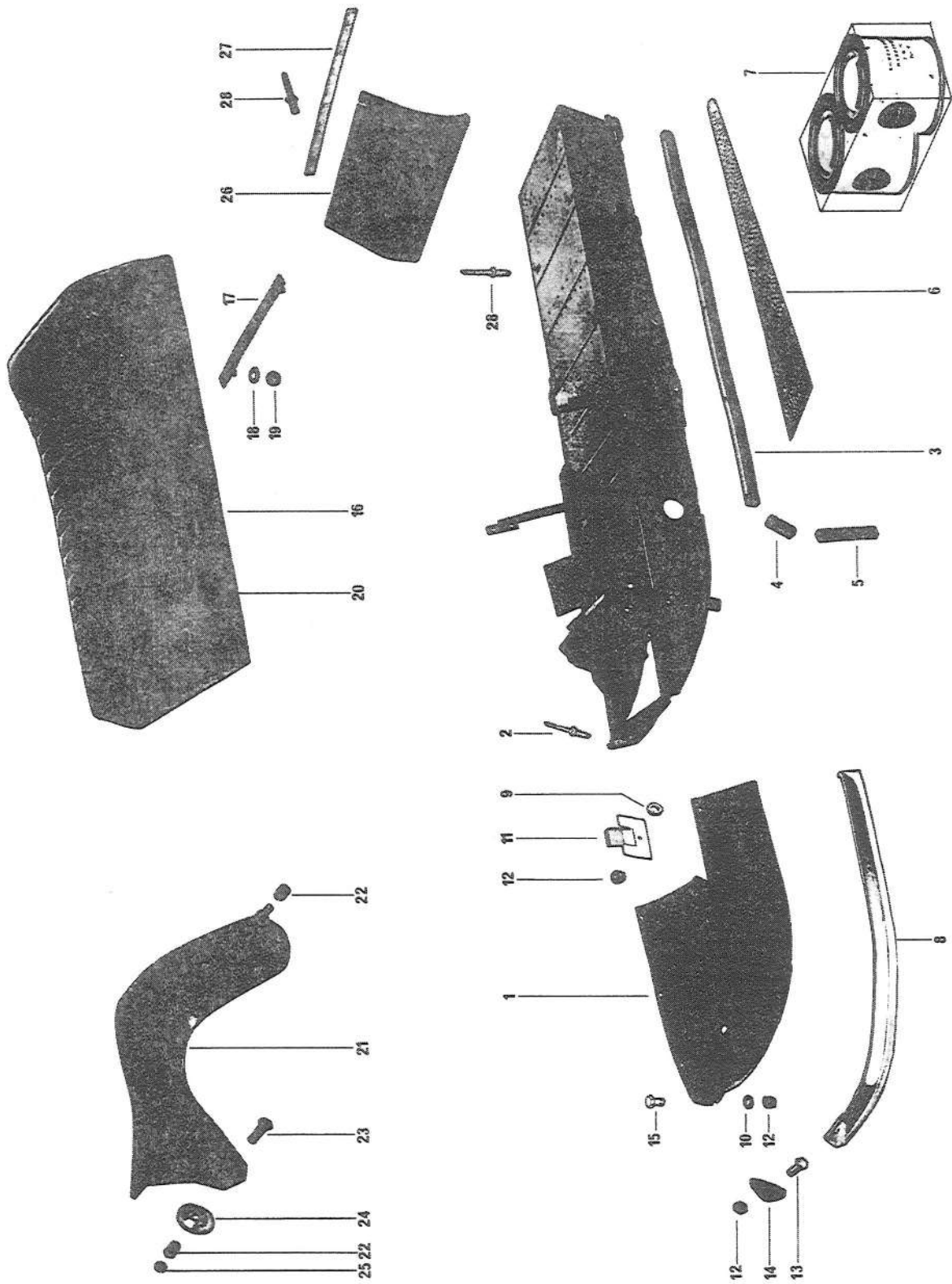
BLIZZARD FRAME



BLIZZARD FRAME

ITEM NO.	PART NO.	DESCRIPTION	QUANTITY	
			292	340
1	414 0541	Bottom Plate	1	1
2	390 4022	Rivet	AR	AR
3	414 0542	Frame Protector	2	2
4	414 0543	Bottom Plate Protector	2	2
5	390 9015	Rivet	16	16
6	414 0569	Body Moulding	1	1
7	390 2001	Rivet	22	22
8	321 7133	Screw	2	2
9	399 9007	Washer	2	2
10	517 0088	Spacer	2	2
11	517 0089	Cab Positioning Bracket	2	2
12	389 9011	Nut	2	2
13	518 0194	Latch Bracket	4	4
14	300 1000	Screw	4	4
15	399 9015	Washer	4	4
16	387 2019	Nut	4	4
17	561 7026	Pulley Guard	1	1
18	414 0154	Spring	2	2
19	300 0004	Screw	1	1
20	517 0180	Retainer Washer	1	1
21	387 2019	Nut	1	1
22	414 0551	Seat	1	1
23	517 0164	Stud Plate	1	1
24	399 9015	Washer	2	2
25	386 9003	Nut	2	2
	414 0547	Foam	1	1
26	414 0546	Leatherette	1	1
27	517 0224	Foot Pad	2	2
28	414 0066	Epoxy Glue	AR	AR
29	570 1747	Snow Guard	1	1
30	517 0229	Strip	1	1
31	390 4023	Pop Rivet	4	4
	414 0571	Identification Label	2	
	414 0572	Identification Label		2
	390 4013	Rivet	AR	AR

BLIZZARD FRAME



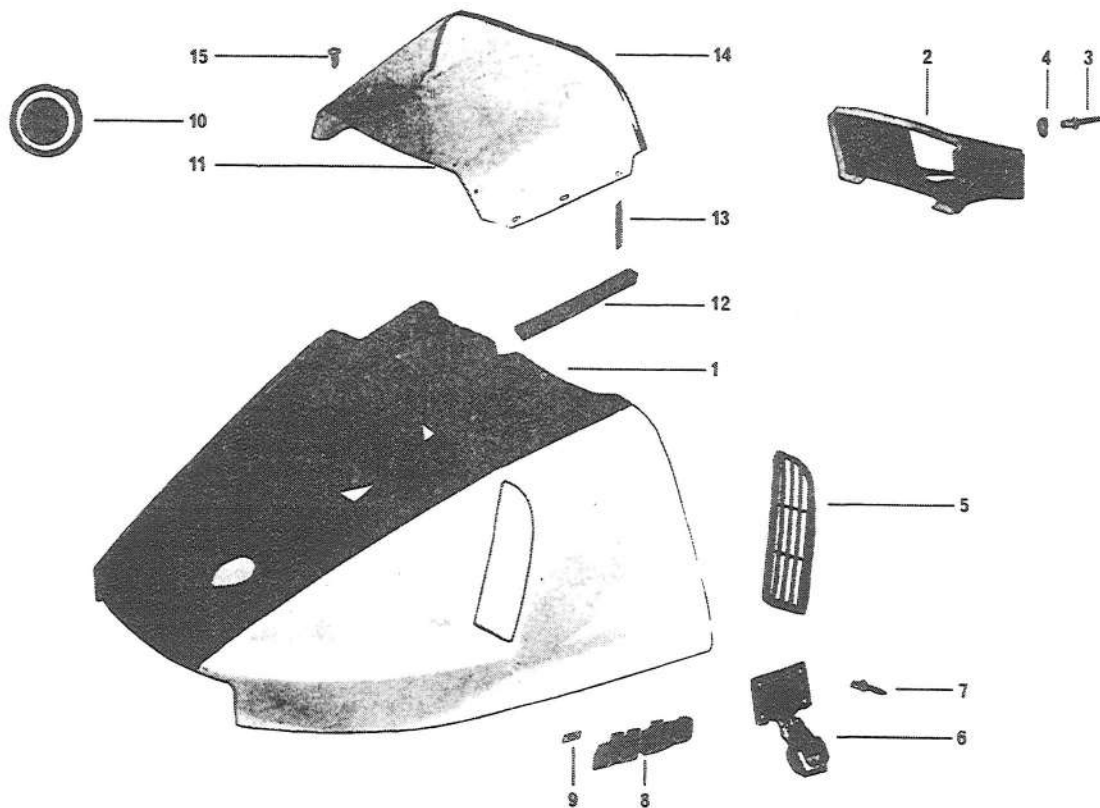
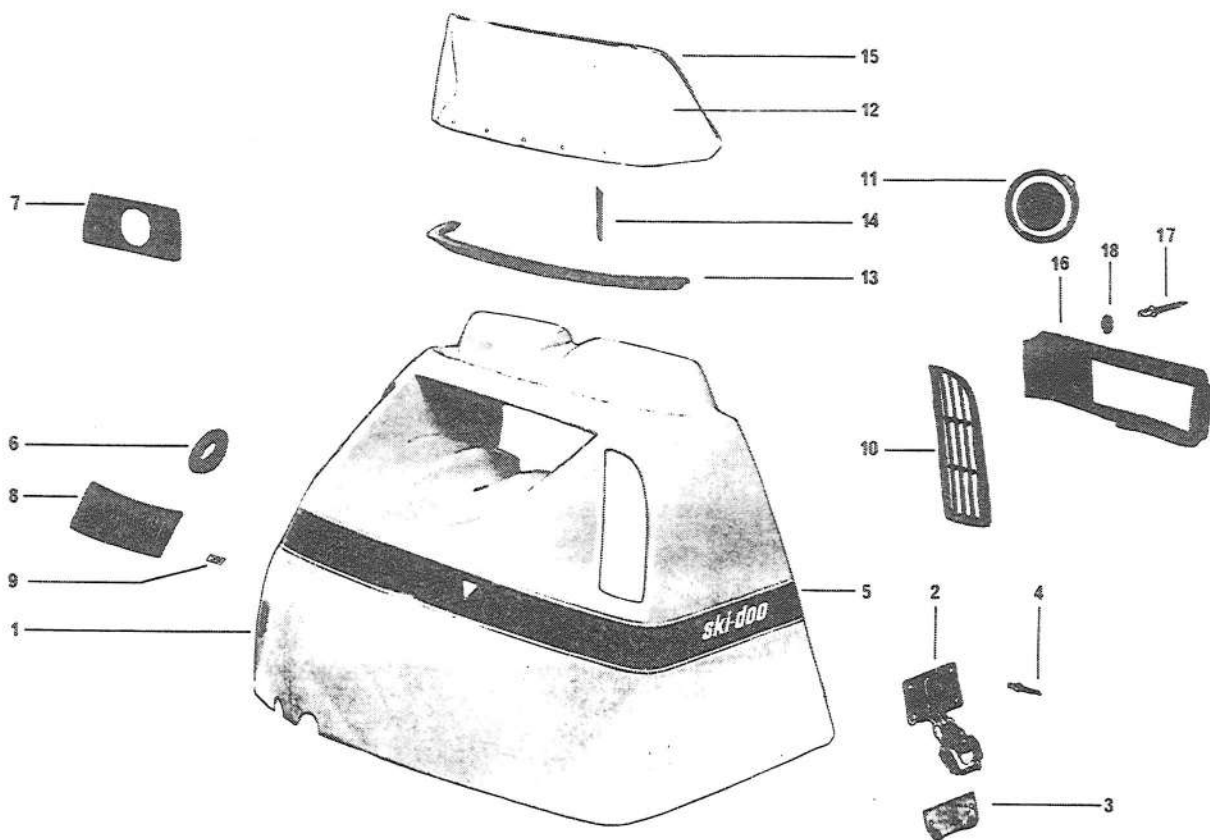
BOMBARDIER LTD./LTEE

Cat. No. 488 1014

BLIZZARD FRAME

ITEM NO.	PART NO.	DESCRIPTION	QUANTITY		
			436	636	776
1	414 0553	Bottom Plate	1	1	1
2	390 4022	Rivet	AR	AR	AR
3	414 0542	Frame Protector	2	2	2
4	414 0548	Bottom Plate Protector	2	2	2
5	414 0549	Bottom Plate Protector	2	2	2
6	517 0224	Foot Pad	2	2	2
7	414 0066	Epoxy Glue	AR	AR	AR
8	517 0269	R.H. Bumper	1	1	1
8	517 0270	L.H. Bumper	1	1	1
9	517 0152	Spacer	6	6	6
10	399 9008	Washer	8	8	8
11	518 0103	Cabin Guide	4	4	4
12	386 9003	Nut	9	9	9
13	300 5003	Screw	1	1	1
14	570 1712	Front Rubber Bumper	1	1	1
15	300 5001	Screw	2	2	2
16	414 0552	Seat	1	1	1
17	517 0164	Stud Plate	1	1	1
18	399 9015	Washer	2	2	2
19	386 9003	Nut	2	2	2
	414 0557	Foam	1	1	1
20	414 0558	Leatherette	1	1	1
21	572 1717	Pulley Guard	1	1	1
22	414 0154	Spring	2	2	2
23	300 0004	Screw	1	1	1
24	517 0180	Retainer Washer	1	1	1
25	387 2019	Nut	1	1	1
26	570 1746	Snow Guard	1	1	1
27	517 0228	Strip	1	1	1
28	390 4023	Rivet	4	4	4
	414 0565	Identification Label	2		
	414 0566	Identification Label		2	
	414 0567	Identification Label			2
	390 4013	Rivet	AR	AR	AR

BLIZZARD CAB



BOMBARDIER LTD./LTEE

Cat. No. 489 i 014

LITBO'D IN CANADA

SECTION 4 - PAGE 28

December 1968.

BLIZZARD CAB

ITEM NO.	PART NO.	DESCRIPTION	QUANTITY	
			292	340
1	571 1793	Cab	1	1
2	414 0309	Cabin Latch	4	4
3	517 0176	Guide Bracket	4	4
4	390 4019	Rivet	24	24
5	414 0598	R.H. Stripe	1	1
5	414 0598	L.H. Stripe	1	1
6	570 1719	Filler Pipe Grommet	1	1
7	414 0669	R.H. Dash Panel	1	1
7	414 0408	L.H. Dash Panel	1	1
8	414 0232	R.H. Louvre	1	1
8	414 0233	L.H. Louvre	1	1
9	389 8019	Speed Nut	8	8
10	414 0404	R.H. Deflector	1	1
10	414 0405	L.H. Deflector	1	1
11	414 0550	Tachometer	1	1
12	561 7016	Windshield	1	1
13	570 1716	Windshield Anchor Strip	1	1
14	517 0142	Windshield Anchor Tab	9	9
15	414 0480	Windshield Protector (Mult 12")	AR	AR
16	571 1601	Air Duct	1	1
17	390 4008	Pop Rivet	12	12
18	399 9003	Washer	12	12
19	414 0676	Stripe (Mult. 12")	AR	AR
	414 0677	Ski-Doo Label	1	1

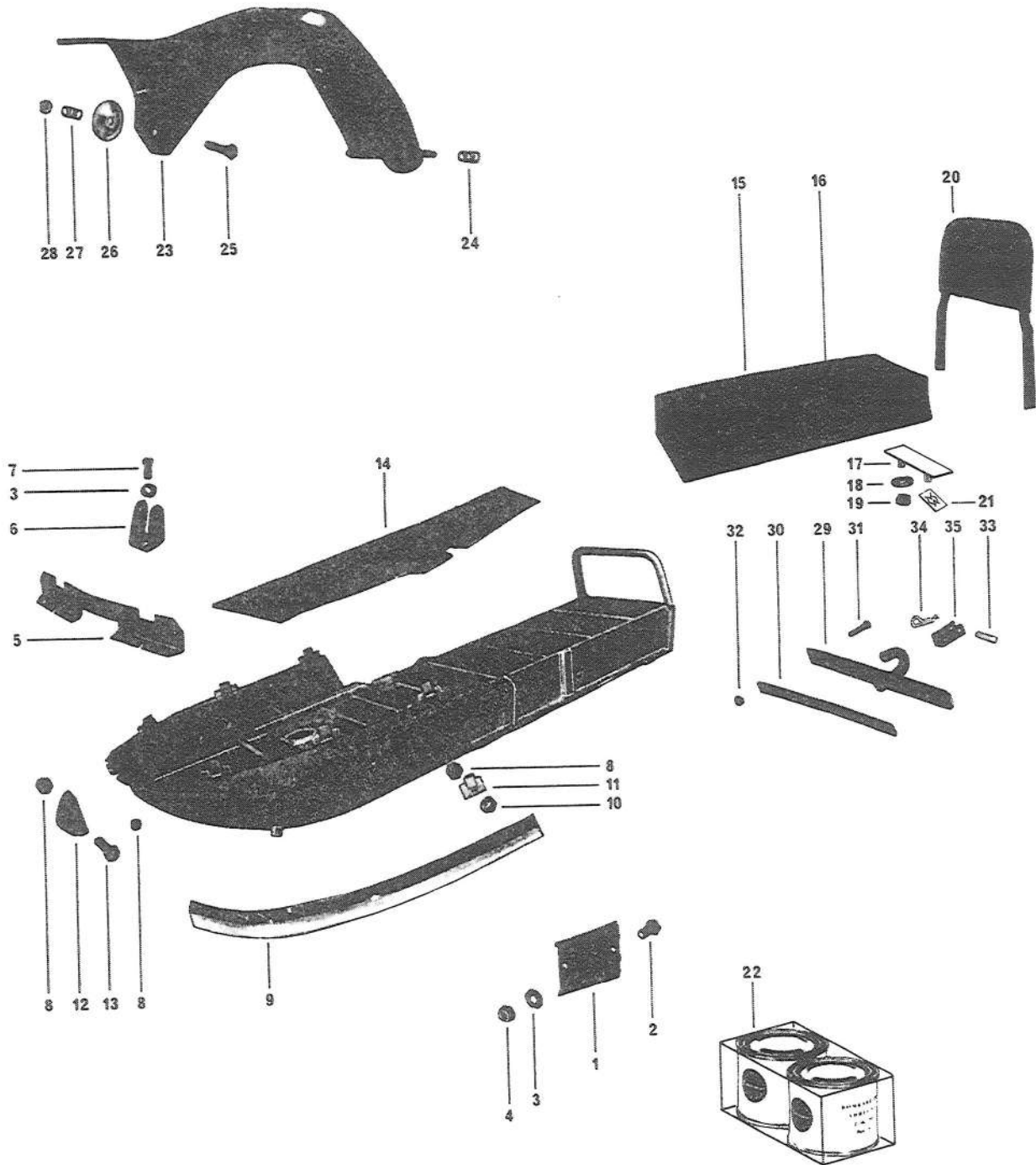
ITEM NO.	PART NO.	DESCRIPTION	QUANTITY		
			436	636	776
1	571 1794	Cab	1	1	1
2	571 1795	Air Duct	1	1	1
3	390 4008	Rivet	16	16	16
4	399 9003	Washer	10	10	10
5	414 0404	R.H. Deflector	1	1	1
5	414 0405	L.H. Deflector	1	1	1
6	414 0309	Cabin Latch	4	4	4
7	390 4019	Pop Rivet	16	16	16
8	414 0466	Name Plate	2	2	2
9	389 8019	Speed Nut	6	6	6
10	414 0550	Tachometer	1	1	1
11	414 0568	Windshield	1	1	1
12	561 7014	Windshield Anchor Strip R.H.	1	1	1
12	561 7015	Windshield Anchor Strip L.H.	1	1	1
13	517 0142	Windshield Anchor Tab	6	6	6
14	414 0480	Windshield Protector (Mult 12")	AR	AR	AR
15	363 0073	Metal Screw	7	7	7
16	414 0676	Stripe (Mult 17")	AR	AR	AR
	414 0677	Ski-Doo Label	1	1	1



SECTION 4

FRAME BODY

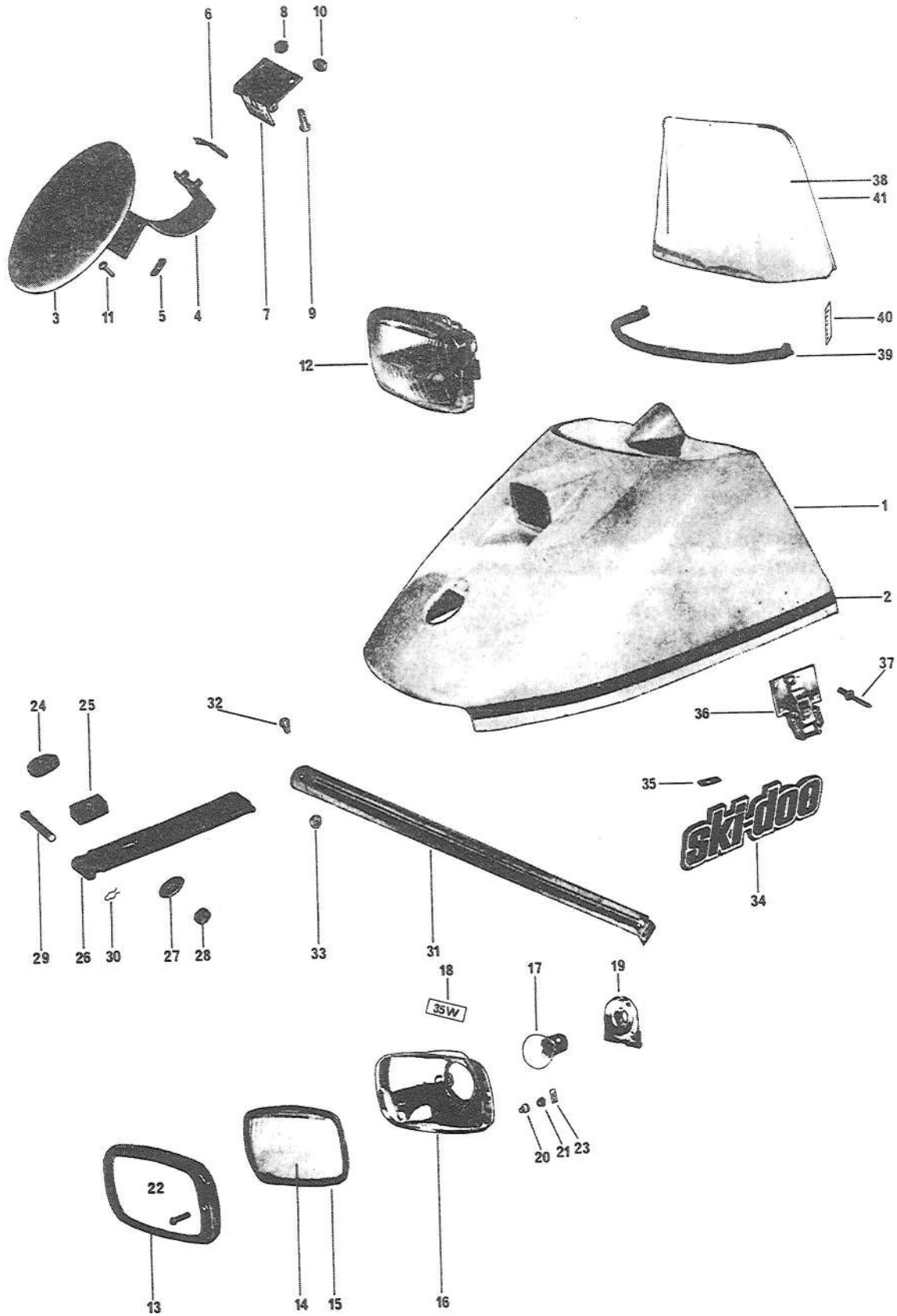
FRAME



FRAME

ITEM NO.	PART NO.	DESCRIPTION	QUANTITY
			335
1	517 0117	L.H. Footrest	1
2	300 5001	Screw	2
3	399 9015	Washer	4
4	386 9003	Nut	2
5	517 0207	Snow Deflector	1
6	517 0208	Hinge Bracket	2
7	300 5001	Screw	2
8	386 9003	Nut	9
9	517 0119	R.H. Bumper	1
9	517 0120	L.H. Bumper	1
10	517 0152	Spacer	6
11	518 0103	Cabin Guide	6
12	570 1712	Front Bumper	1
13	300 5003	Screw	1
14	570 1742	R.H. Foot Pad	1
14	570 1741	L.H. Foot Pad	1
15	580 0168	Seat W/Leatherette	1
16	414 0519	Leatherette	1
	414 0539	Foam	1
17	517 0164	Stud Plate	1
18	399 9015	Washer	2
19	386 9003	Nut	2
20	580 0169	Padded Backrest	1
21	389 8034	Speed Nut	2
22	414 0066	Epoxy Glue	AR
23	571 1770	Pulley Guard	1
24	414 0154	Spring	1
25	300 0004	Screw	1
26	517 0180	Retainer Washer	1
27	414 0154	Spring	1
28	387 2019	Nut	1
29	517 0230	Hitch Bracket	1
30	517 0231	Plate	1
31	300 1005	Screw	4
32	386 6019	Nut	4
33	414 0533	Clevis Pin	1
34	414 0322	Hair Pin	1
35	517 0232	Stop Bracket	1

CAB



CAB

ITEM NO.	PART NO.	DESCRIPTION	QUANTITY
			335
1	571 1790	Cab	1
2	414 0206	Cabin Stripe (Mult. 12")	AR
3	571 1737	Filler Door	1
4	513 0039	Hinge Bracket	1
5	389 8030	Speed Nut	4
6	513 0040	Spring Plate	1
7	582 0103	Hinge	1
8	387 3013	Nut	2
9	320 1062	Screw	2
10	387 3013	Nut	2
11	570 1714	Door Stop	2
12	410 6010	Projector	1
13	410 6012	Chrome Ring	1
14	410 6014	Glass	1
15	410 6013	Rubber Ring	1
16	C. S. A.	Reflector	1
17	410 5009	Bulb 35W	1
18	414 0280	Label 35W	1
19	410 6015	Socket	1
20	C. S. A.	Blank	2
21	C. S. A.	Washer	2
22	410 6011	Screw	2
23	389 8010	Speed Nut	2
24	570 1702	Insulator Rubber	8
25	570 1711	Insulator Rubber	4
26	517 0220	Cabin Hinge L.H.	1
26	517 0221	Cabin Hinge R.H.	1
27	399 9008	Washer	4
28	387 5019	Nut	4
29	517 0222	Hinge Pin	2
30	414 0189	Retainer Clip	2
31	517 0137	Cabin Holder	1
32	320 1062	Screw	1
33	386 6013	Nut	1
34	414 0212	Name Plate	2
35	389 8019	Speed Nut	6
36	414 0309	Cabin Latch	2
37	390 4019	Pop Rivet	8
38	414 0483	Windshield	1
39	570 1715	Windshield Anchor Strip	1
40	517 0142	Windshield Anchor Tab	9
41	414 0480	Windshield Protector (Mult. 12")	AR





SECTION 5

ACCESSORIES



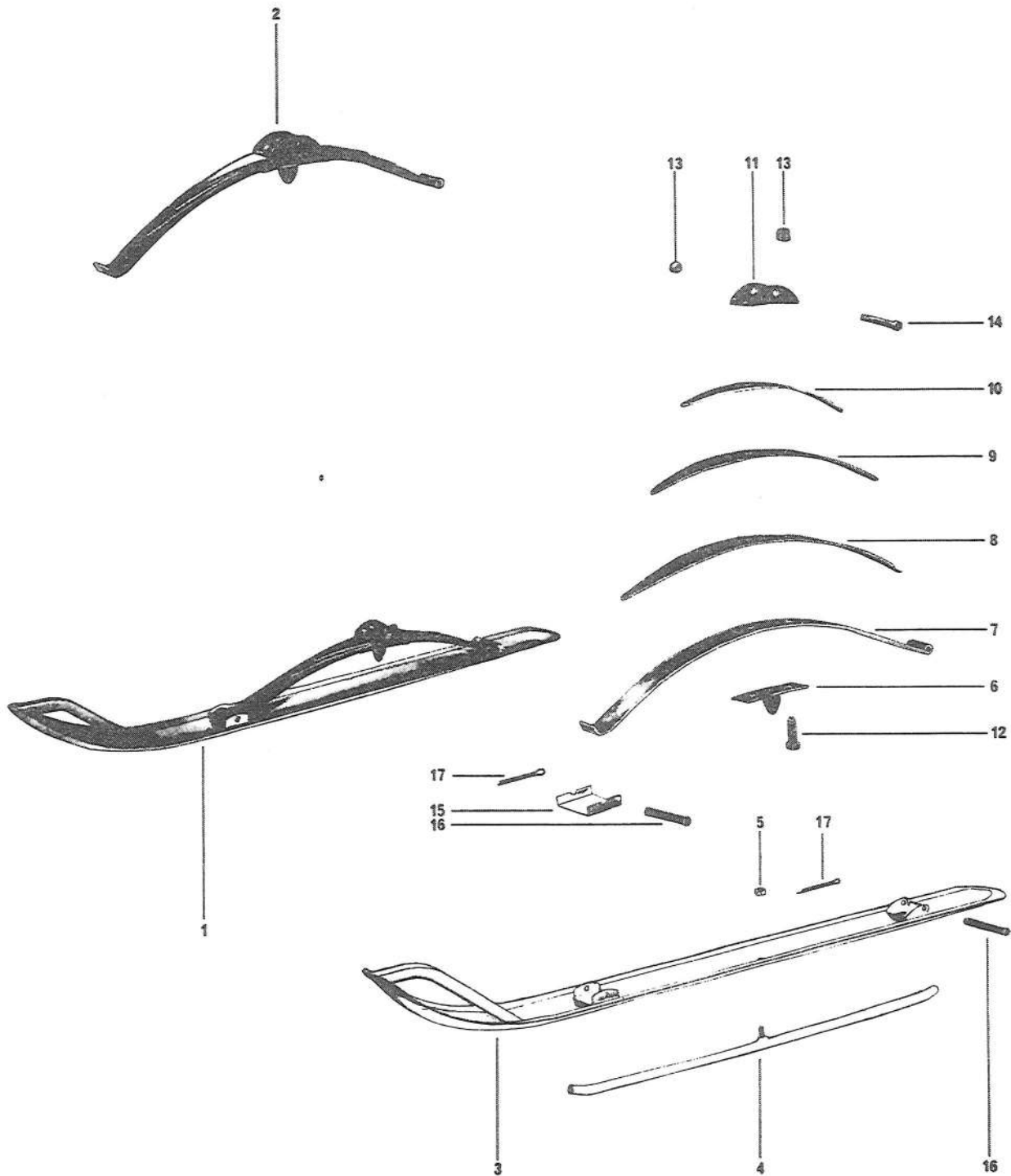
11 26 11 26 26 26 26 26 26 26 26 26 26 26 26 26 26 26 26 26 26 26

SKI-BOOSE MK I - MK II

CARRY BOOSE



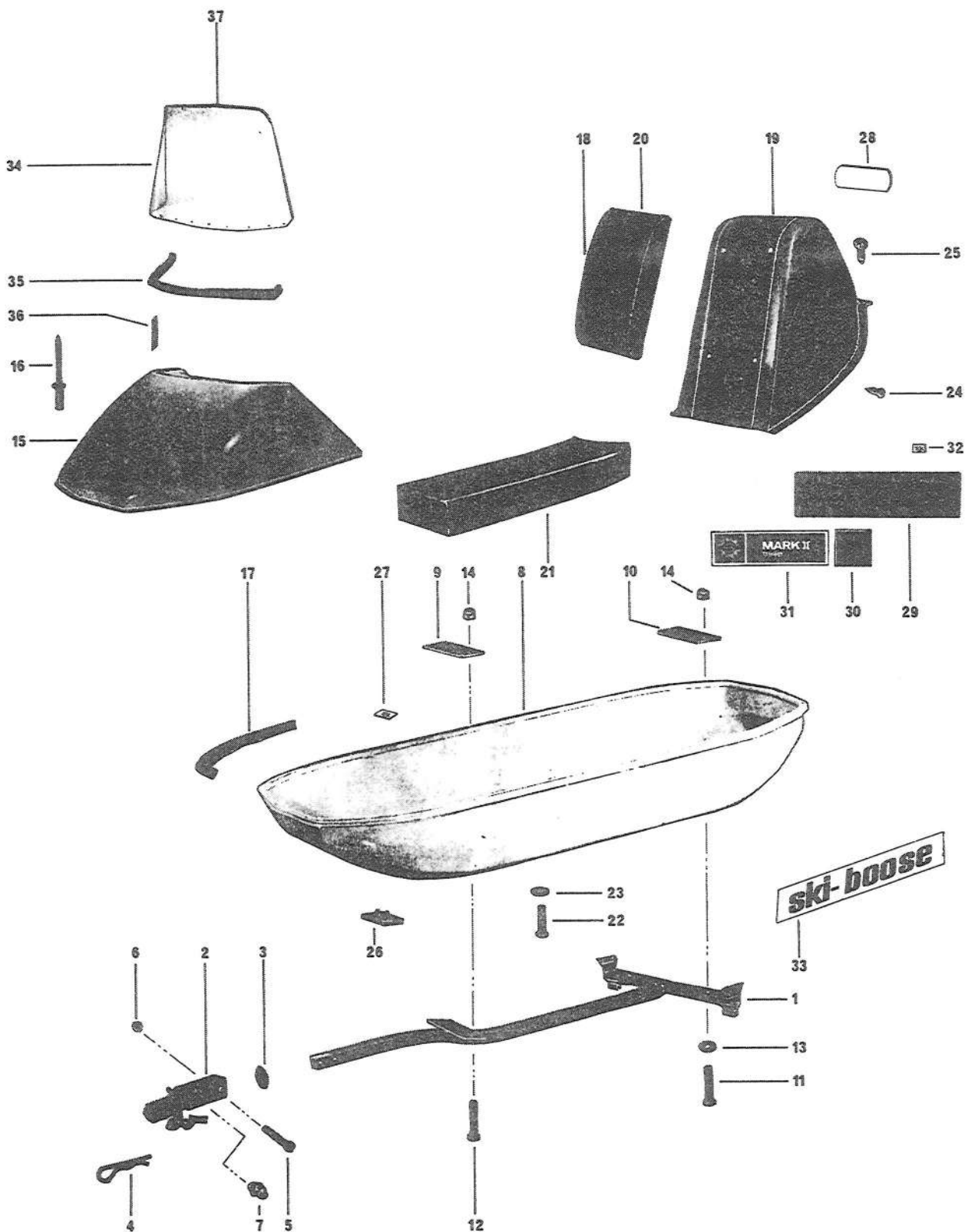
SKI SKI-BOOSE MK I - MK II



SKI

ITEM NO.	PART NO.	DESCRIPTION	QUANTITY	
			Mk I	Mk II
1	581 5011	R. H. Ski Ass'y	1	1
1	581 5012	L. H. Ski Ass'y	1	1
2	582 5006	R. H. Leaf Spring Ass'y	1	1
2	582 5007	L. H. Leaf Spring Ass'y	1	1
3	550 1019	Ski Runner	2	2
4	505 0002	Runner Shoe	2	2
5	387 2022	Nut.....	2	2
6	570 0302	Rebound Plate	2	2
7	505 0018	Main Leaf Spring	2	2
8	505 0014	Auxiliary Spring	2	2
9	505 0013	Auxiliary Leaf Spring	2	2
10	505 0015	Auxiliary Leaf Spring	2	2
11	505 0045	Spring Coupler	2	2
12	300 8085	Screw	4	4
13	389 8036	Nut.....	6	6
14	309 8007	Screw	2	2
15	505 0033	Spring Slider Cushion	2	2
16	505 0034	Retainer Pin	4	4
17	371 0011	Cotter Pin	4	4

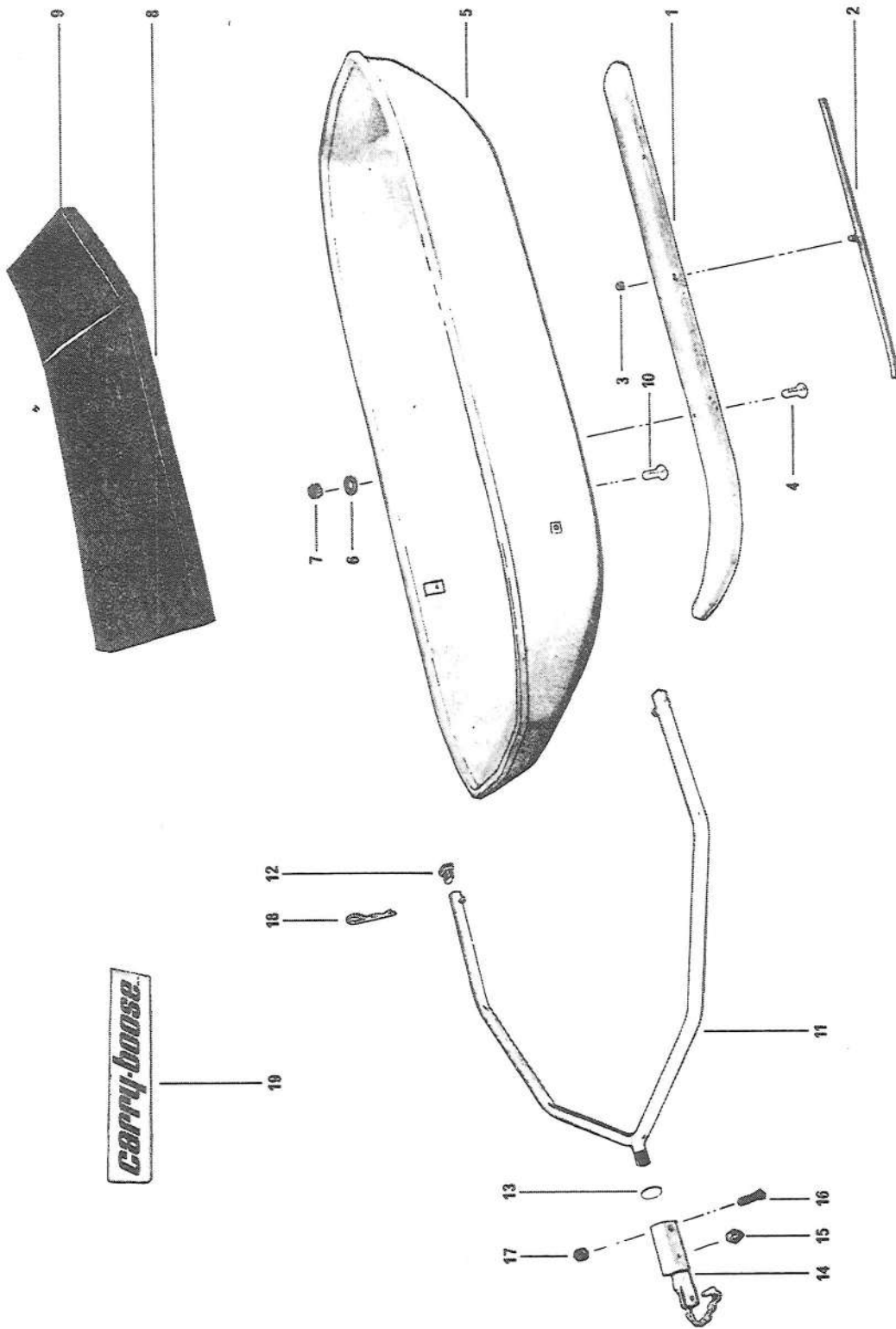
FRAME & BODY



FRAME & BODY

ITEM NO.	PART NO.	DESCRIPTION	QUANTITY	
			Mk I	Mk II
1	518 0233	Frame	1	
1	518 0160	Frame		1
2	518 0162	Hitch Bracket	1	1
3	502 0011	Cap	1	1
4	414 0322	Hair Pin Cotter	1	1
5	300 0087	Screw	1	1
6	386 6024	Nut	1	1
7	408 2001	Grease Fitting	1	1
8	571 1792	Shell	1	
8	518 0158	Shell		1
9	518 0161	Plate	1	1
10	518 0234	Plate	2	
11	300 1041	Screw	4	6
12	300 1043	Screw	2	2
13	399 9007	Flat Washer		6
14	389 8037	Nut	6	8
15	571 1791	Cab	1	
15	561 7039	Cab		1
16	390 4017	Rivet		10
16	368 9022	Staples	13	
17	570 1749	Moulding Trim	1	
17	570 1748	Moulding Trim		1
18	414 0487	Backrest	1	
19	571 1759	Backrest Housing		1
20	414 0330	Covering		1
21	414 0328	Seat		1
21	414 0486	Seat	1	
22	320 1063	Screw	10	
22	300 5001	Screw		4
23	399 9018	Washer	10	
23	399 9015	Washer		4
24	362 9103	Screw		4
25	363 0073	Screw		5
26	570 1804	Bumper Pad		2
27	389 8018	Speed Nut		4
28	410 9043	Reflector (tail lamp)	1	1
29	414 0412	Reflector Plate	2	2
30	517 0325	Reflector	2	2
31	414 0473	Identification Label	2	
31	414 0470	Identification Label		2
32	389 8019	Speed Nut	6	6
33	414 0471	Identification Label	2	2
34	414 0254	Windshield		1
34	414 0484	Windshield	1	
35	570 1716	Windshield Anchor Strip	1	
35	570 1720	Windshield Anchor Strip		1
36	517 0142	Windshield Anchor Tab	9	9
37	414 0255	Moulding (Mult 12")	AR	AR

CARRY BOOSE

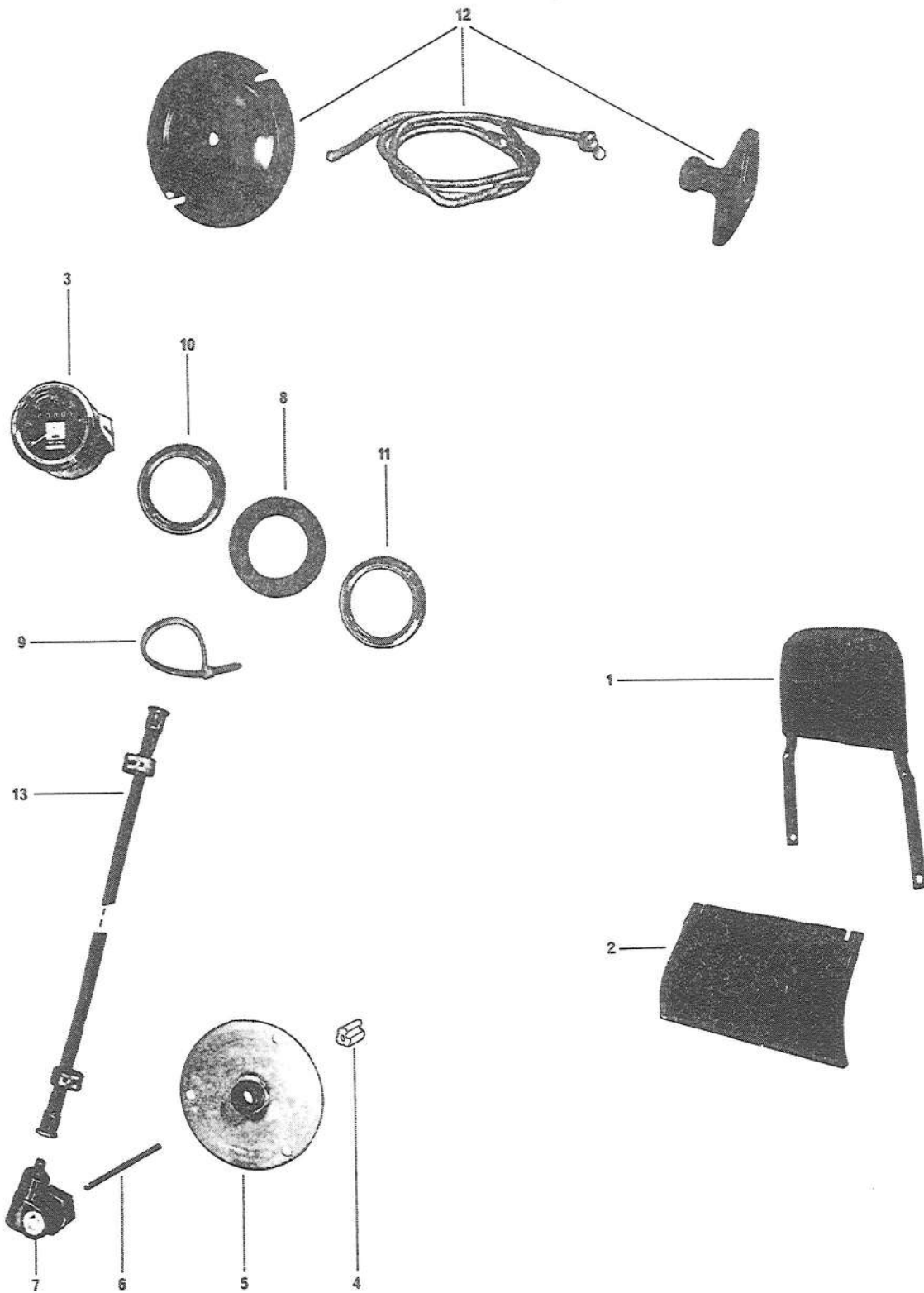


carry-boose

CARRY BOOSE

ITEM NO.	PART NO.	DESCRIPTION	QUANTITY
1	580 5019	Ski Runner	2
2	505 0002	Runner Shoe	2
3	387 2022	Nut	2
4	320 1100	Screw	8
5	518 0158	Shell	1
6	391 0021	Washer	8
7	387 2019	Nut	8
8	414 0528	Seat	1
9	414 0529	Leatherette	1
10	321 7100	Screw	2
11	550 1022	Tow Bar	1
12	570 1728	End Cap	2
13	502 0011	Cap	1
14	518 0162	Hitch Bracket	1
15	408 2001	Grease Fitting	1
16	300 0087	Screw	1
17	386 6024	Nut	1
18	414 0322	Hair Pin Cotter	3
19	414 0534	Identification Label	2

ACCESSORIES



ACCESSORIES

ITEM NO.	PART NO.	DESCRIPTION	MODEL
1	414 0058	Center Backrest	O-AI-TNT 15"
1	580 0144	Center Backrest	N-TNT 18"
2	570 1746	Snow Guard	N-TNT 18"
	861 7013	Snow Guard Kit	N-TNT 18"
2	570 1747	Snow Guard	O-TNT 15"
	861 7012	Snow Guard Kit	O-TNT 15"
	861 7006	Speedometer Kit	All
3	414 0193	Speedometer	All
4	414 0361	Drive Insert .500	All
5	501 0011	End Bearing Housing	All
6	414 0384	Coupling Cable	All
7	414 0195	Angle Drive	All
8	414 0194	Shock Absorber	All
9	114 0043	Hose Tie	All
	409 6020	Wire Brown 16Ga (Mult 12")	All
	409 2010	Tab	All
	409 2012	Receptacle Housing	All
	409 2013	Tab Housing	All
	409 2014	Receptacle	All
10	414 0499	Outer Ring	All
11	414 0500	Inner Ring	All
	580 0245	Seat Ass'y W/Fuel Tank	TNT 18"
	414 0438	Foam (Seat)	O-AI
	414 0439	Foam (Seat)	Nordic
12	860 4001	Starter Emergency Kit	All
	412 5001	Starter Rope (Mult 12")	All
	861 7001	Front Bumper Kit (See Part Cat. O)	12/3
	861 7003	Rear Bumper Kit (See Part Cat O)	12/3
	861 7010	Rear Bumper Kit	TNT 15"
	861 7011	Rear Bumper Kit	TNT 18"
13	414 0196	Drive Cable W/Housing 42"L	N-O-TNT 15"-AL
	414 0362	Drive Cable W/Housing 48"L	TNT 18"

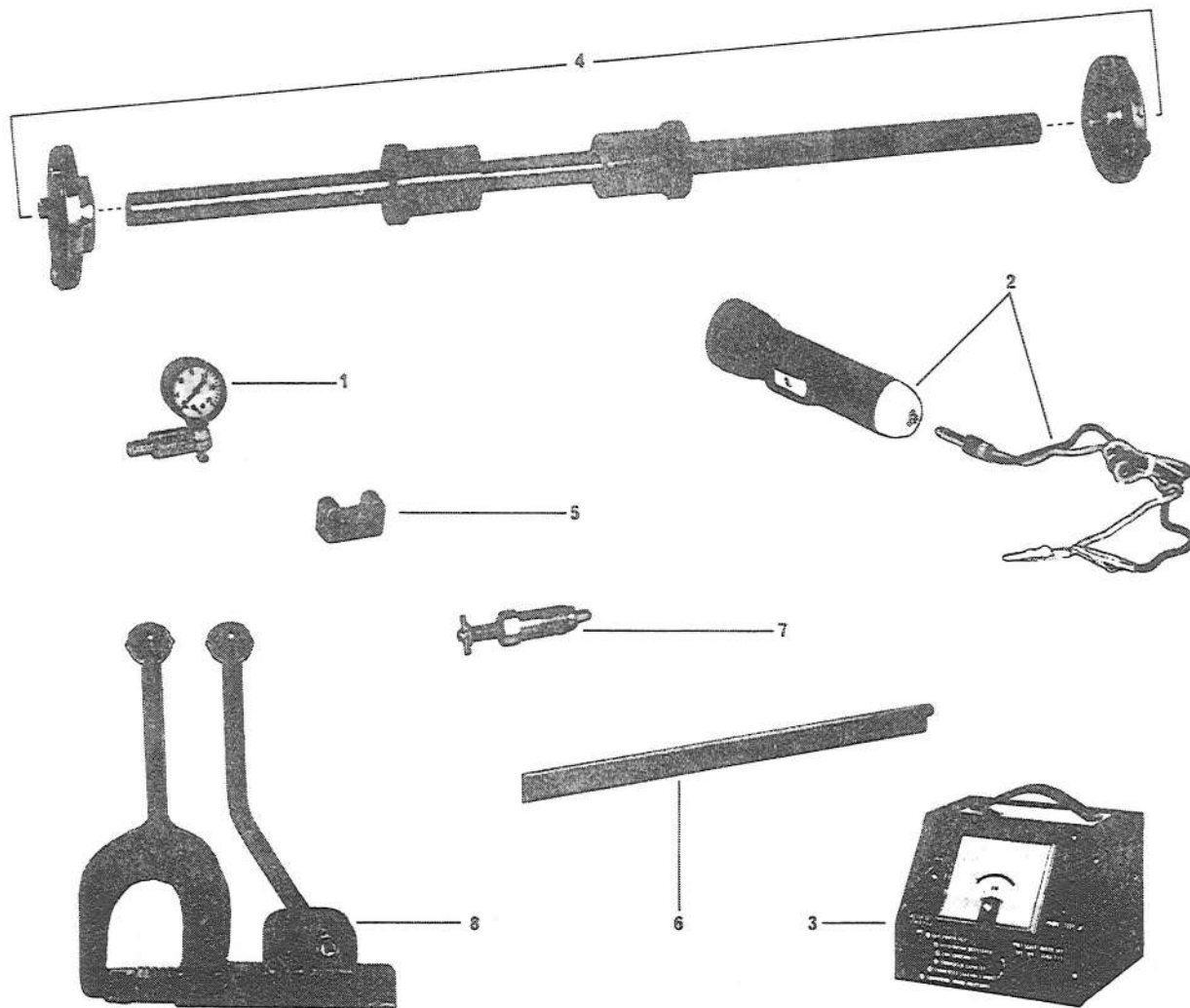
DRIVE SPROCKET

ITEM NO.	TEETH	SHAFT	PITCH	SPLINE	STANDARD ON	
OLYMPIC 12/3 - 335-TNT 292						
504 0007	9 Single	3/4"	1/2"	8	O 12/3 TNT 292 O 335	
504 0008	10 "	3/4"	1/2"	8		
504 0009	11 "	3/4"	1/2"	8		
504 0024	12 "	3/4"	1/2"	8		
504 0029	13 "	3/4"	1/2"	8		
504 0010	14 "	3/4"	1/2"	8		
504 0035	15 "	3/4"	1/2"	8		
504 0030	16 "	3/4"	1/2"	8		
504 0031	17 "	3/4"	1/2"	8		
OLYMPIC 399 TNT 340-399 NORDIC399 BLIZZARD 292-340						
504 0102	12 Double	3/4"	3/8"	8	Blizzard 292 Blizzard 340 O 399-TNT340-399 N 399	
504 0090	13 "	3/4"	3/8"	8		
504 0091	14 "	3/4"	3/8"	8		
504 0044	15 "	3/4"	3/8"	8		
504 0061	16 "	3/4"	3/8"	8		
504 0062	17 "	3/4"	3/8"	8		
504 0063	18 "	3/4"	3/8"	8		
504 0064	19 "	3/4"	3/8"	8		
504 0065	20 "	3/4"	3/8"	8		
504 0092	24 "	3/4"	3/8"	8		
504 0093	25 "	3/4"	3/8"	8		
504 0075	26 "	3/4"	3/8"	8		
504 0076	27 "	3/4"	3/8"	8		
NORDIC 640 TNT 640-775 BLIZZARD 436-636-776						
504 0128	13 Double	1"	3/8"	15		Blizzard 436
504 0127	14 "	1"	3/8"	15		
504 0124	15 "	1"	3/8"	15		
504 0106	16 "	1"	3/8"	15		
504 0089	17 "	1"	3/8"	15		
504 0085	18 "	1"	3/8"	15		
504 0082	19 "	1"	3/8"	15		
504 0083	20 "	1"	3/8"	15		
504 0084	21 "	1"	3/8"	15		
504 0059	22 "	1"	3/8"	15		
504 0067	23 "	1"	3/8"	15	Blizzard 776	
504 0068	24 "	1"	3/8"	15		
504 0069	25 "	1"	3/8"	15		
504 0070	26 26"	1"	3/8"	15		

GASKET SET

ITEM NO.	PART NO.	DESCRIPTION	QTY	MODEL
	402 9008	Gasket Set - Consisting Of		292
1	402 2088	Cylinder Flange Gasket	1	
2	402 2089	Exhaust Flange Gasket	1	
3	402 2101	Cylinder Head Gasket	1	
4	402 0014	Crankcase Gasket	1	
5	402 1002	Oil Seal	2	
6	402 0019	Sealing Ring	1	
	402 9009	Gasket Set - Consisting Of		12/3
1	402 2008	Cylinder Flange Gasket	1	
2	402 2043	Exhaust Flange Gasket	1	
3	402 2031	Cylinder Head Gasket	1	
4	402 0014	Crankcase Gasket	1	
5	402 1002	Oil Seal	2	
6	402 0019	Sealing Ring	1	
	402 9010	Gasket Set - Consisting Of		335
1	402 2123	Cylinder Flange Gasket	1	
2	402 2089	Exhaust Flange Gasket	1	
3	402 2101	Cylinder Head Gasket	1	
4	402 0014	Crankcase Gasket	1	
5	402 1002	Oil Seal	2	
6	402 0019	Sealing Ring	1	
	402 9013	Gasket Set - Consisting Of		399
1	402 2132	Cylinder Flange Gasket	2	
2	402 2133	Cylinder Head Gasket	2	
3	402 2134	Intake Gasket, P.T.O. Side	1	
4	402 2135	Intake Gasket, Magneto Side	1	
5	402 1136	Oil Seal	1	
6	402 1137	O Ring	5	
7	402 2136	Intake Manifold Ring Gasket	1	
8	402 1138	Oil Seal	1	
	402 9014	Gasket Set		640
1	402 2137	Cylinder Flange Gasket	2	
2	402 2101	Cylinder Head Gasket	2	
3	402 2138	Intake Gasket, P.T.O. Side	1	
4	402 2139	Intake Gasket, Magneto Side	1	
5	402 1101	Oil Seal	2	
6	402 1119	O-Ring	5	
7	402 2140	Intake Manifold Ring Gasket	1	
8	402 2101	Gasket Exhaust Flange	2	
9	402 2100	Isolating And Sealing Washer	3	
10	402 0019	Sealing Ring	2	

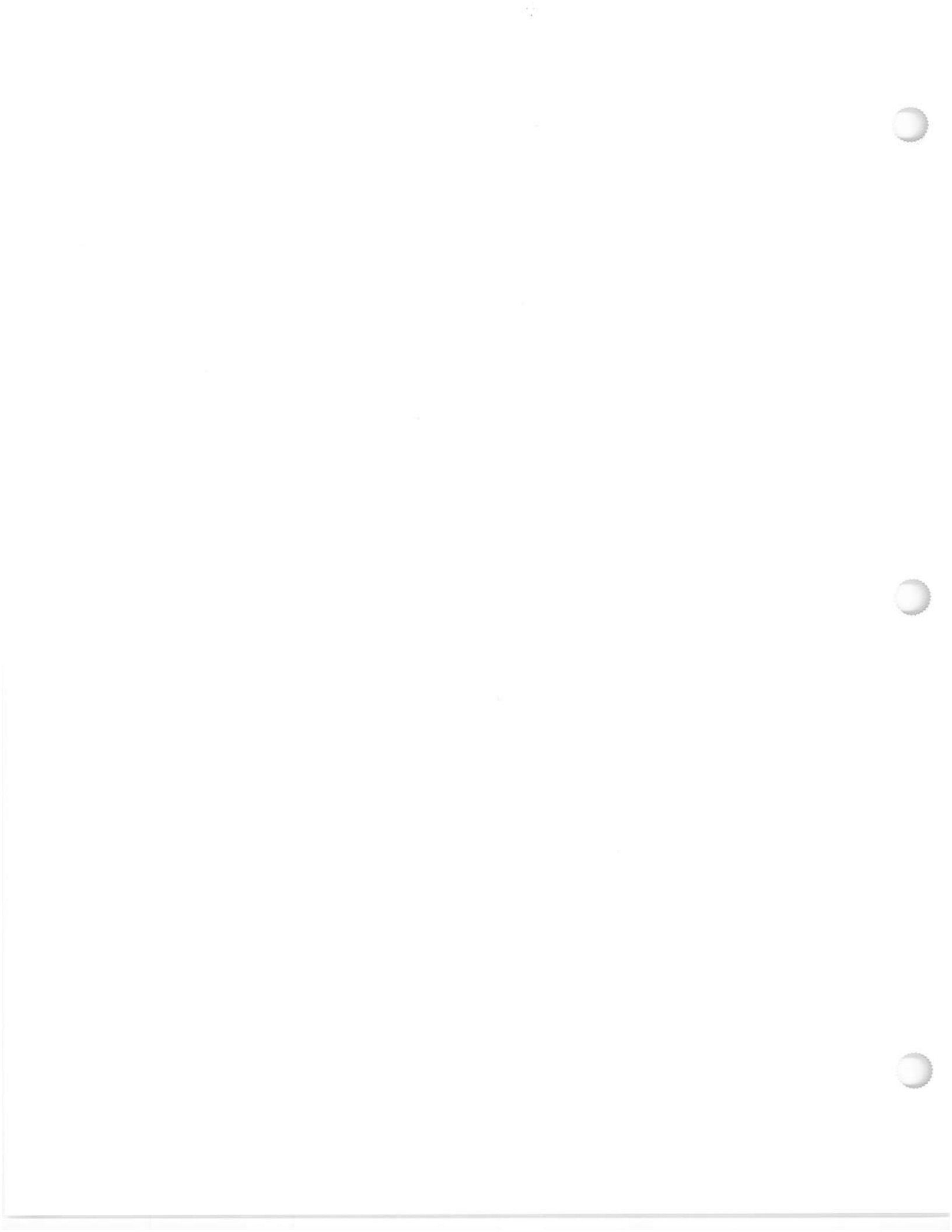
TOOLS



ITEM NO.	PART NO.	DESCRIPTION	MODEL
1	404 0163	Carburator Leak Detector	All
2	414 0122	Circuit Tester (Flashlight Type)	All
	414 0148	Chain Breaking Tool (All Pitch)	All
3	414 0192	Magneto Ignition Analyser (Mer-O-Tronic)	All
	414 0308	Coil Tester (Mer-O-Tronic)	All
4	529 0001	Bearing Housing Tool (To Adjust End Bearing Housing)	Alpine
5	529 0003	Insert Block Tool	All
6	529 0005	Adjuster Bar (To Adjust Pulley)	All
7	402 8016	Timing Gauge 155MM	All
8	414 0678	Clip-O-Matic (Tool To Ass Track Cleat)	All

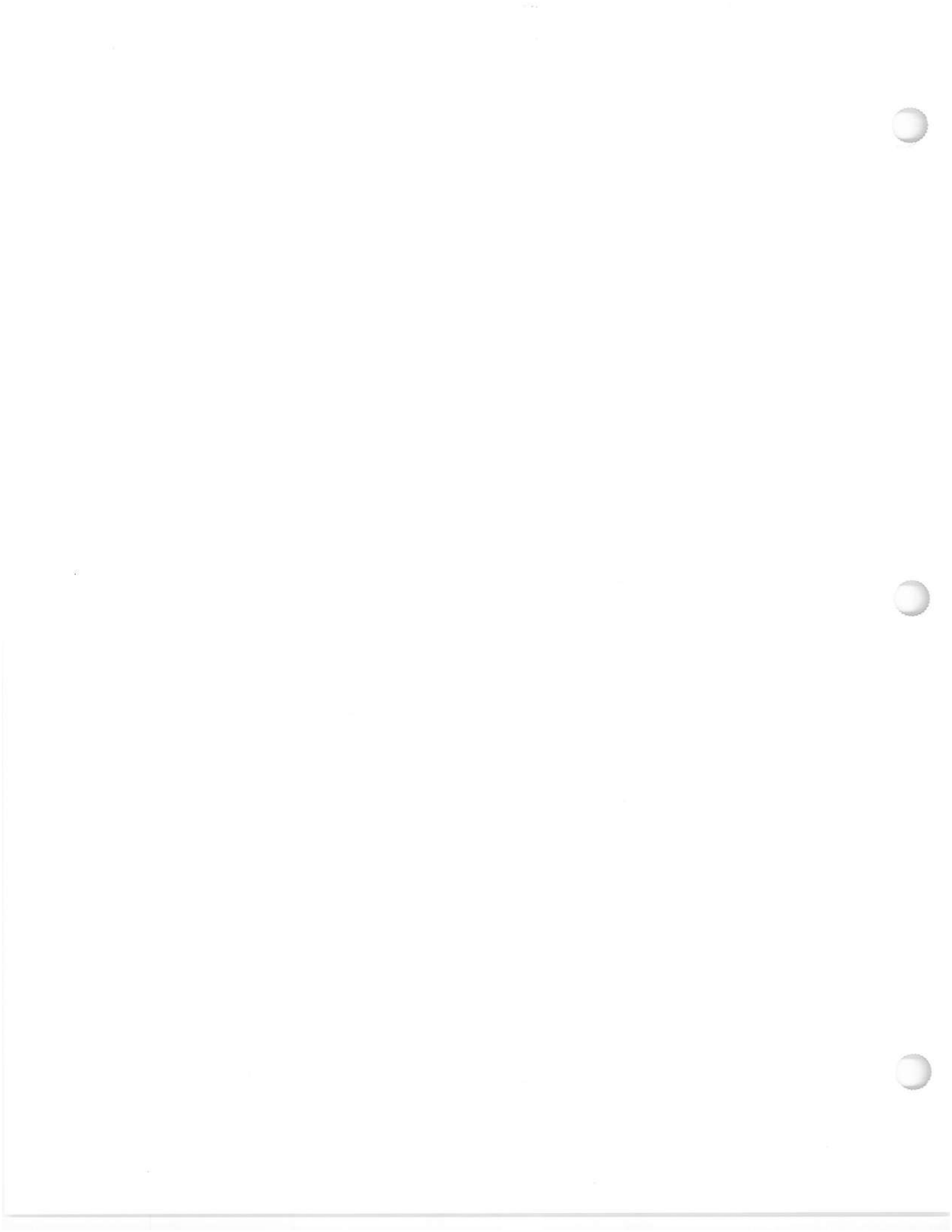
BOMBARDIER LTD/LTEE

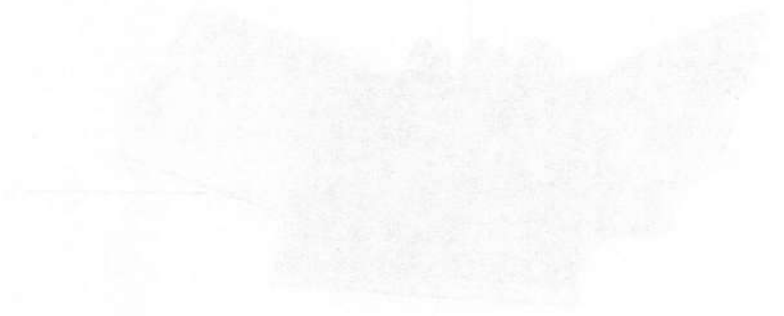
Cat. No. 480 1011



SECTION 6

MISCELLANEOUS





MISCELLANEOUS



1



2



3



4



5



6



7



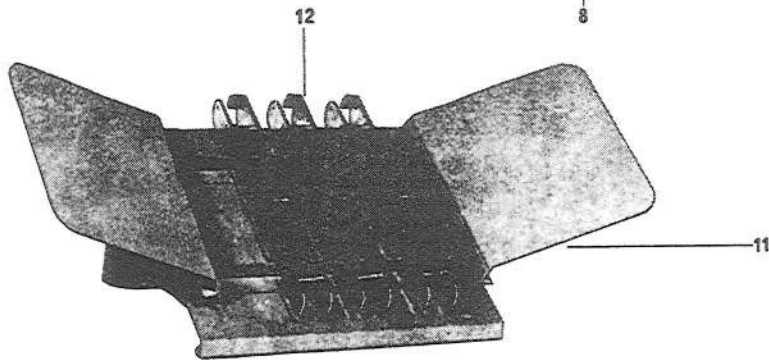
8



9



10



12

11

BOMBARDIER LTD./LTEE

Cat. No. 480 1011

LITHO'D IN CANADA

SECTION 6

JANUARY 1970

ITEM NO.	PART NO.	DESCRIPTION	MODEL
1	402 9015	Crankcase Adhesive Glue- All Two Cylinders	
2	413 4001	Yellow Enamel Paint - Per Quart	All
3	413 4005	Yellow Enamel Spray Paint Monopoxy (Fiberglass & Metal) 16oz. ...	All
4	413 4007	Black Enamel Spray Paint - 14oz Can	All
5	413 4006	Black Flat Paint (Dull Finish) - Per Quart	All
6	413 7010	Anti-Seize Lubricant Lock Tite 12oz Spray Can To Seal The Ring ... Gear On The Crankshaft For The Two Cylinders Electric Model ...	
7	413 8001	Chain Case Oil 8oz Can	All
8	413 8003	Ski-Doo Engine Mixing Oil (Imperial Quart-Canada)	All
9	413 8004	Ski-Doo Engine Mixing Oil (1 Quart U.S.A.)	All
9	413 9007	Anti-Rust Metal Protector L.P.S. Spray no3 16oz Canadian	All
10	413 9008	Anti-Rust Metal Protector L.P.S. Spray no3 - 16oz U.S.A.....	All
10	413 9014	Anti-Rust Metal Protector L.P.S. Spray no1 - 16oz Canadian	All
10	413 9012	Anti-Rust Metal Protector S.F. Lawrason 8M12 - 14oz	All
11	484 0027	Metallic Stand - Desk Type for Catalogues	
12	484 0028	Section For Stand	

