

mx-1
250cc

SERIAL NUMBERS

250 cc 5863 000001 to 5863 000600



**Parts
Catalog**

'75

can-am *
motorcycles by bombardier

HOW TO USE THE FLAT RATE TIME (F.R.T.)

This F.R.T. (Flat Rate Time) is used to determine the standard labor time allowed for replacement of parts covered by the warranty during the period the warranty is in effect. The F.R.T. for those parts which are not listed (indicated by a —) should be determined from the operation closely related to the replacement of that part.

1. THE F.R.T. IS BASED ON THE FOLLOWING SERVICING CONDITIONS:

- a) Standard times specified are based on the condition that the necessary servicing tools are available close at hand and the work performed by a mechanic with normal skill.
- b) Time required for the servicing is calculated as shown:

example: Exact repair for a reasonable mechanic 120 min.
 Plus 5% for diagnosis 6 min.
 Plus 5% internal cleaning 6 min.
 Plus 5% for parts dept. 6 min.
 Plus 5% for paperwork 6 min.
 The F.R.T. is 2.4 hours

TOTAL TIME: 144 min.

2. The F.R.T. is also a guideline for time required for normal retail repairs and may be used for estimating repair cost.

3. METHOD OF COMPUTING

The job times are listed in tenth of an hour to simplify computation.

example: $0.3 = 18$ minutes
 $5.6 = 5$ hours and 36 minutes

CONVERSION CHART

Hours	Minutes	Hours	Minutes
0.1	6	0.6	36
0.2	12	0.7	42
0.3	18	0.8	48
0.4	24	0.9	54
0.5	30	1.00	60

4. COMPUTING THE F.R.T.

When several jobs are performed at the same time, make the calculation in the following manner.

- a) Jobs of non duplicated nature:

The F.R.T. for the job is obtained by totalling the F.R.T. for each part replaced.

example: Replacement of cylinder and clutch

SERVICING DETAILS	F.R.T.
Cylinder	0.6
Clutch plate	0.7
The F.R.T. for the job is:	$0.6 + 0.7 = 1.3$

- b) Jobs of duplicated nature:

Take the F.R.T. for the last part to be replaced.
 example: Replacement of cylinder head and piston.

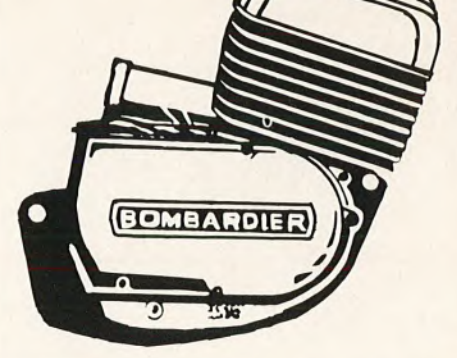
SERVICING DETAILS	F.R.T.
Cylinder head	0.5
Piston	0.7

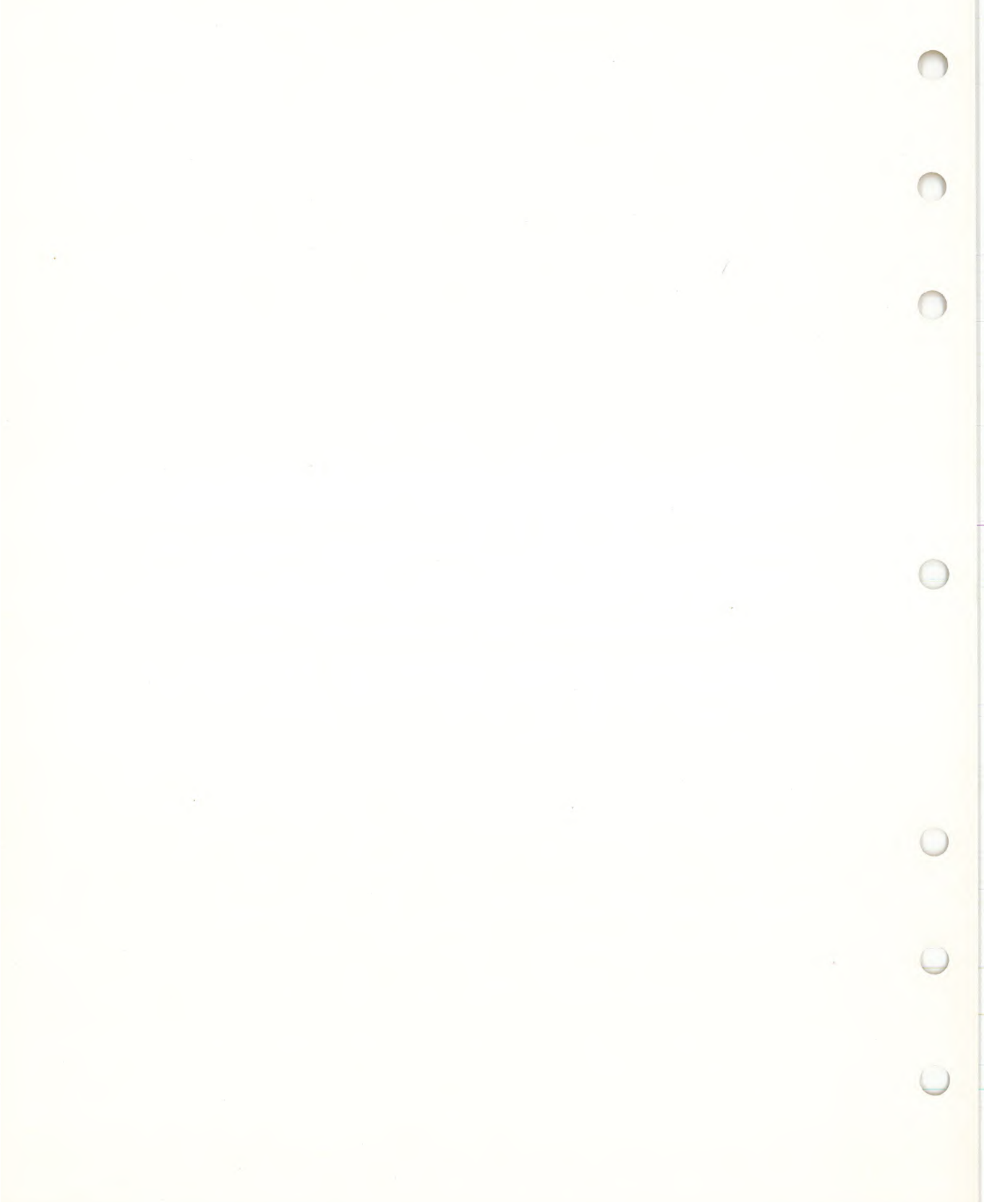
The F.R.T. for this job is the last part replaced (piston): 0.7

Table of contents

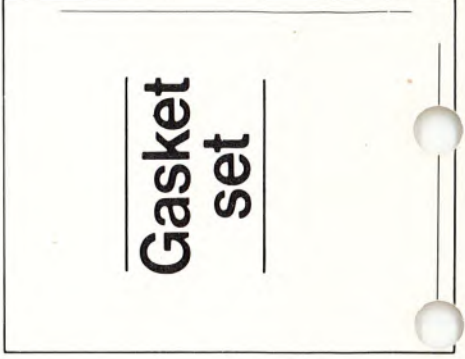
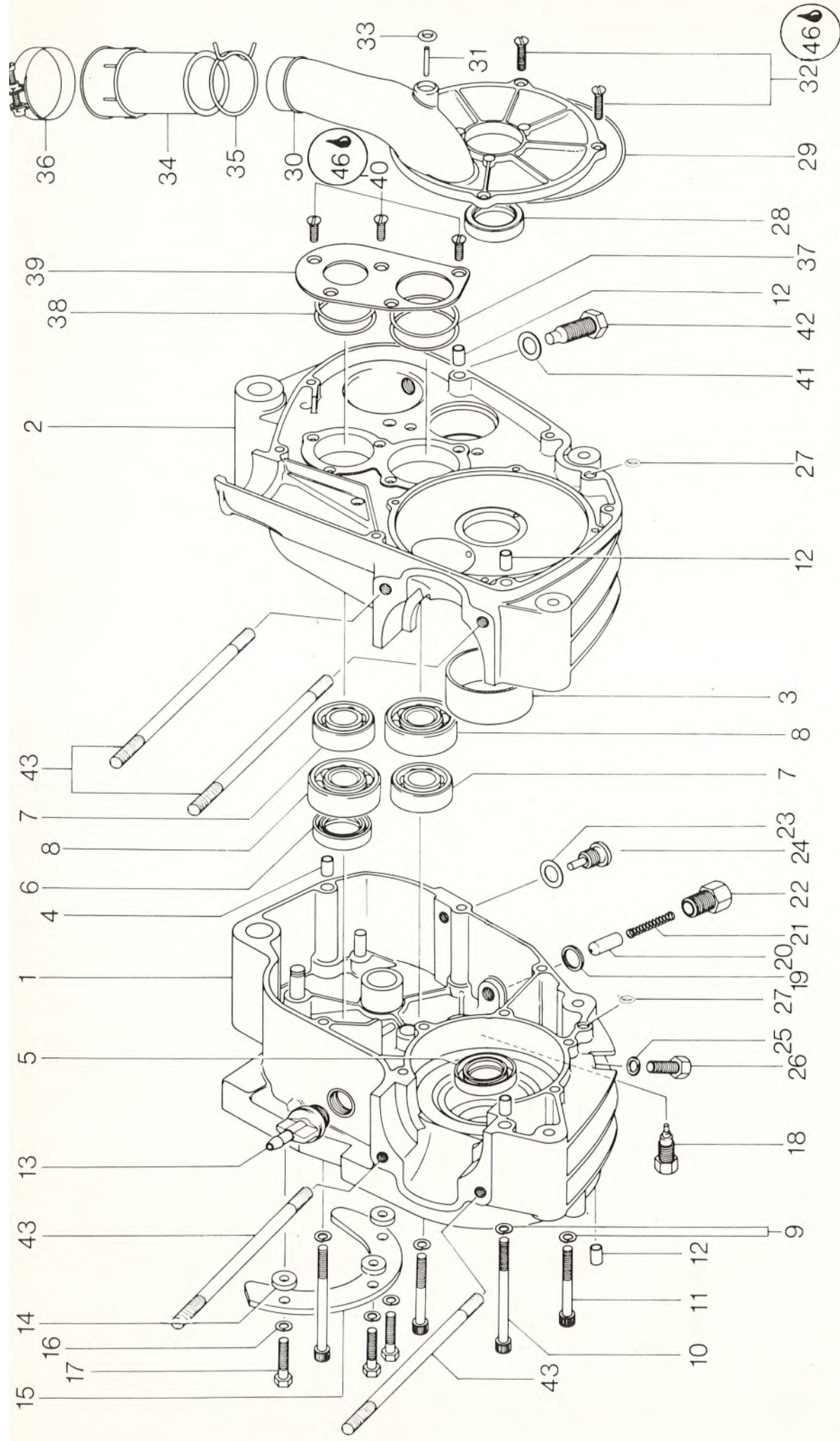
ENGINE	SECTION 1
Crankcase	
Crankshaft, cylinder, piston	
Magneto, clutch and oil pump covers	
GEAR BOX	SECTION 2
Transmission	
Clutch, kick start	
ELECTRICAL	SECTION 3
Magneto	
CARBURETION	SECTION 4
Carburetor	
SPECIAL TOOLS	SECTION 5
Tools, special and owners kit	
FRAME	SECTION 6
Fork	
Main frame	
Swing arm, rear shocks	
CONTROLS	SECTION 7
Handlebar	
Cables	
EXHAUST SYSTEM	SECTION 8
Exhaust pipe, muffler	
BODY	SECTION 9
Body parts (fenders, side covers)	
Fuel tank	
WHEELS	SECTION 10
Brake system	
Front wheel	
Rear wheel	
SPECIAL/OPTIONAL PARTS	SECTION 11
Optional parts	
Competition parts	
Service items	
NUMERICAL LIST	SECTION 15
PRICE LIST with Service bulletin	SECTION 16
PARTS BULLETINS	SECTION 17

ENGINE



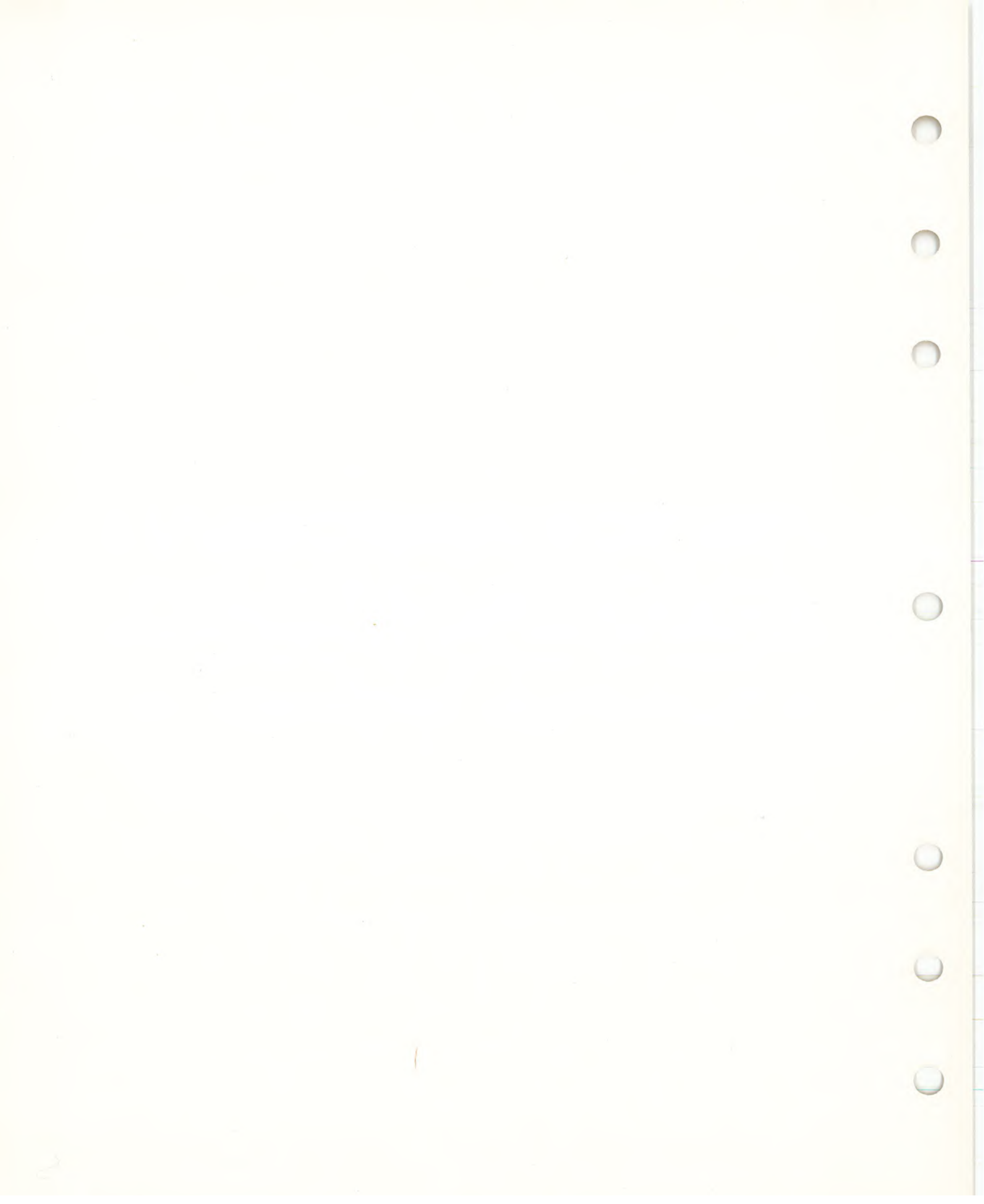


Crankcase



45 COMPLETE ENGINES
 46 LOCKTITE

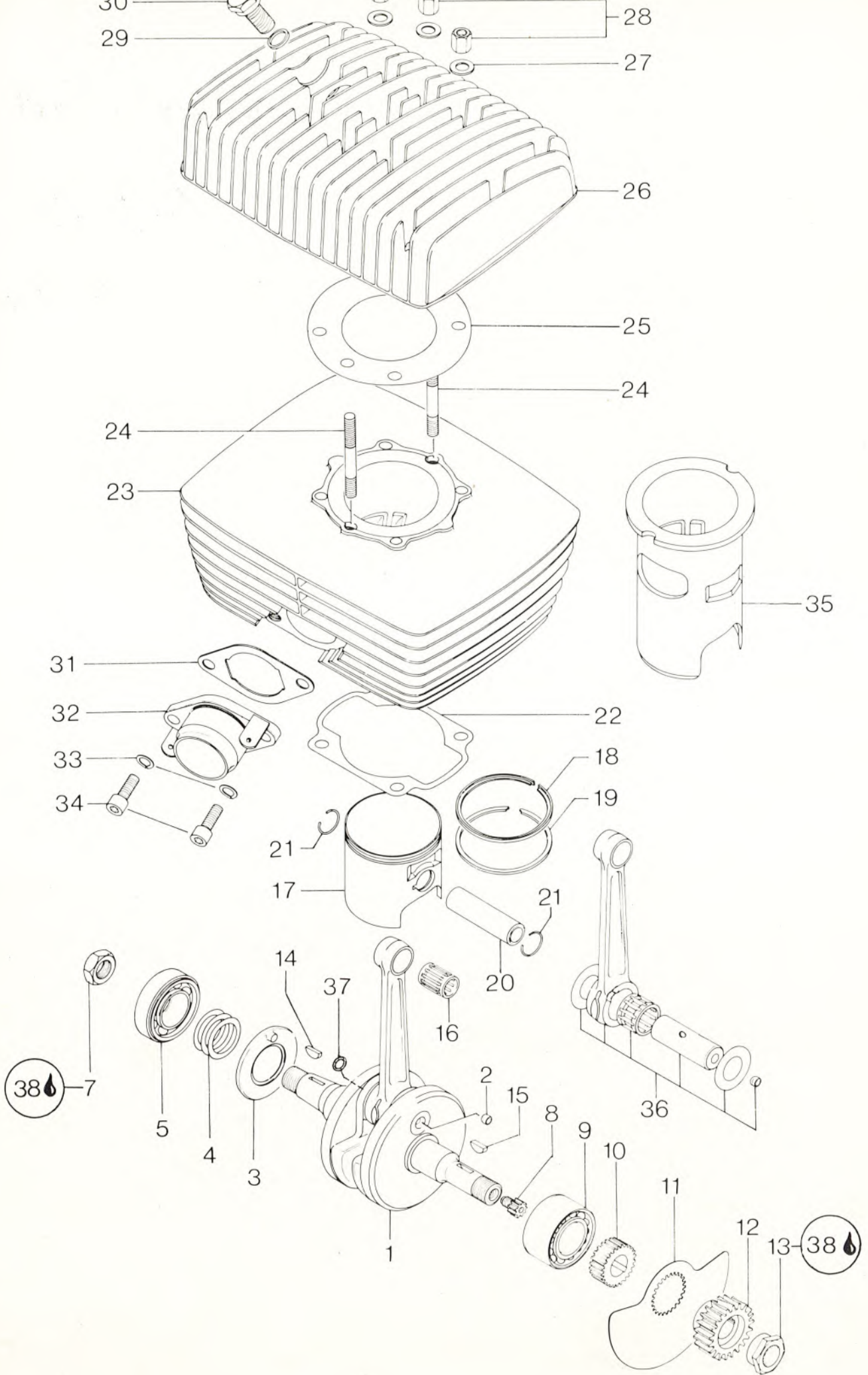
ITEM NO	PART NUMBER	DESCRIPTION	MX-1 250	Flat Rate Time
1 to 4	420 291 482	Crankcase Ass'y	1	4.0
3	420 260 400	Ring, Crankcase, Clutch Side	1	3.0
4	420 949 900	Dowel, Locating	2	-
5	420 230 421	Seal, Magneto Side	1	1.7
6	420 230 421	Seal, Transmission Main Shaft	1	1.7
7	420 232 630	Ball Bearing 6203	2	3.0
8	420 232 640	Ball Bearing 6204	2	3.0
9	420 945 751	Lockwasher 6 mm	10	-
10	420 241 870	Screw, Allen Head M6 X 70	5	-
11	420 241 820	Screw, Allen Head M6 X 45	5	-
12	420 949 900	Dowel, Locating	5	-
13	420 241 920	Oil Filler Cap M18 X 1.5	1	0.1
14	420 247 240	Spacer, Chain Guard	3	-
15	420 297 330	Chain Guard (For Sprocket 13T 420 236 950)	opt	D.N.A.
	420 297 331	Chain Guard (For Sprocket 14T 420 235 951)	opt	D.N.A.
	420 297 332	Chain Guard (For Sprocket 15T 420 235 952)	1	0.1
16	420 945 751	Lockwasher 6 mm	3	-
17	420 240 035	Screw, Hex. Head M6 X 25	3	-
18	420 241 850	Contact Screw Ass'y, Neutral Indicator	1	0.1
19	420 230 380	Gasket Ring, Index Plug	1	-
20	420 258 550	Plunger, Index	1	0.1
21	420 239 710	Spring, Index Plugger	1	-
22	420 241 785	Plug, Transmission, Index	1	0.1
23	420 650 040	Gasket Ring	1	-
24	420 241 781	Plug, Magnetic Drain	1	0.1
25	420 950 141	Gasket Ring	1	-
26	420 940 580	Screw, Hex. Head M8 X 16, Crankcase Drain	1	-
27	420 230 530	O'Ring	2	-
28	420 230 421	Seal, Clutch Side	1	1.5
29	420 230 310	O'Ring, Disc Valve Cover	1	-
30 - 31	420 212 037	Disc Valve Cover Ass'y	1	1.5
31	420 224 040	Diffuser Tube	1	0.4
32	420 940 510	Screw, Countersunk Slot. Head M5 X 16	4	-
33	420 230 260	O'Ring, Oil Injection Inlet Port	1	-
34	420 267 740	Adapter, Carburetor	1	0.4
35	420 251 845	Hose Clamp, Carburetor Adapter	1	-
36	420 251 820	Hose Clamp, Carburetor	1	-
37	420 227 610	Shim 0.5 mm, Transmission Clutch Shaft Bearing	AR	-
	420 227 611	Shim 0.3 mm, Transmission Clutch Shaft Bearing	AR	-
	420 227 612	Shim 0.1 mm, Transmission Clutch Shaft Bearing	AR	-
38	420 227 520	Shim 0.5 mm, Transmission Main Shaft Bearing	AR	-
	420 227 521	Shim 0.3 mm, Transmission Main Shaft Bearing	AR	-
	420 227 522	Shim 0.1 mm, Transmission Main Shaft Bearing	AR	-
39	420 227 550	Retaining Plate, Transmission Bearings	1	0.7
40	420 940 315	Screw, Countersunk Slot. Head M5 X 12	5	-
41	420 650 040	Gasket Ring	1	-
42	420 241 775	Screw, Kick Starter Stop	1	0.1
43	420 840 620	Stud M8, Cylinder	4	-
44	420 291 650	Gasket Set	1	-
45	734 003 007	Engine Complete Without: Electronic Box, Magneto Ass'y Carburetor & Levers	1	0.5
46	747 020 000	Loctite 271	AR	-



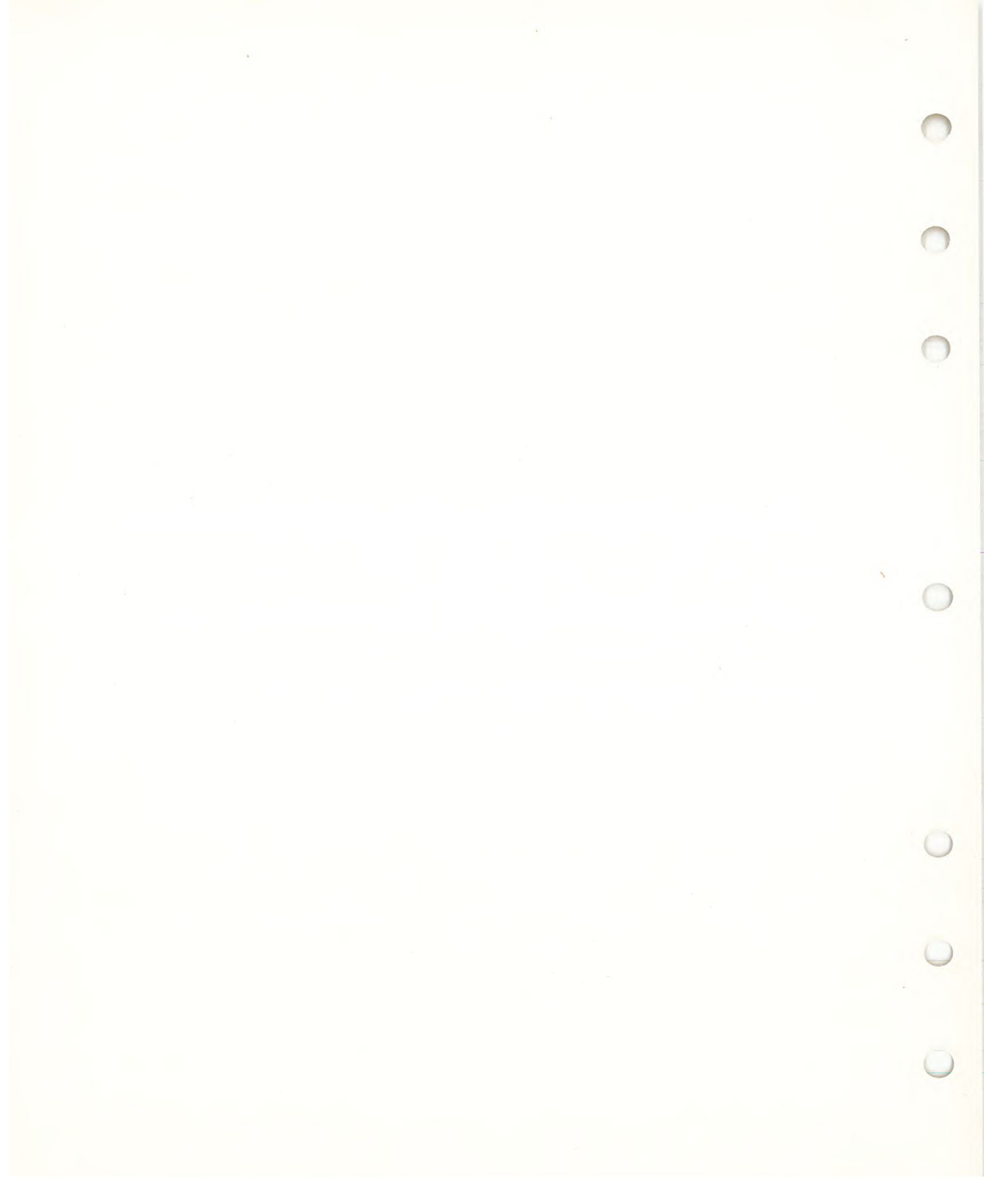
Crankshaft

Cylinder

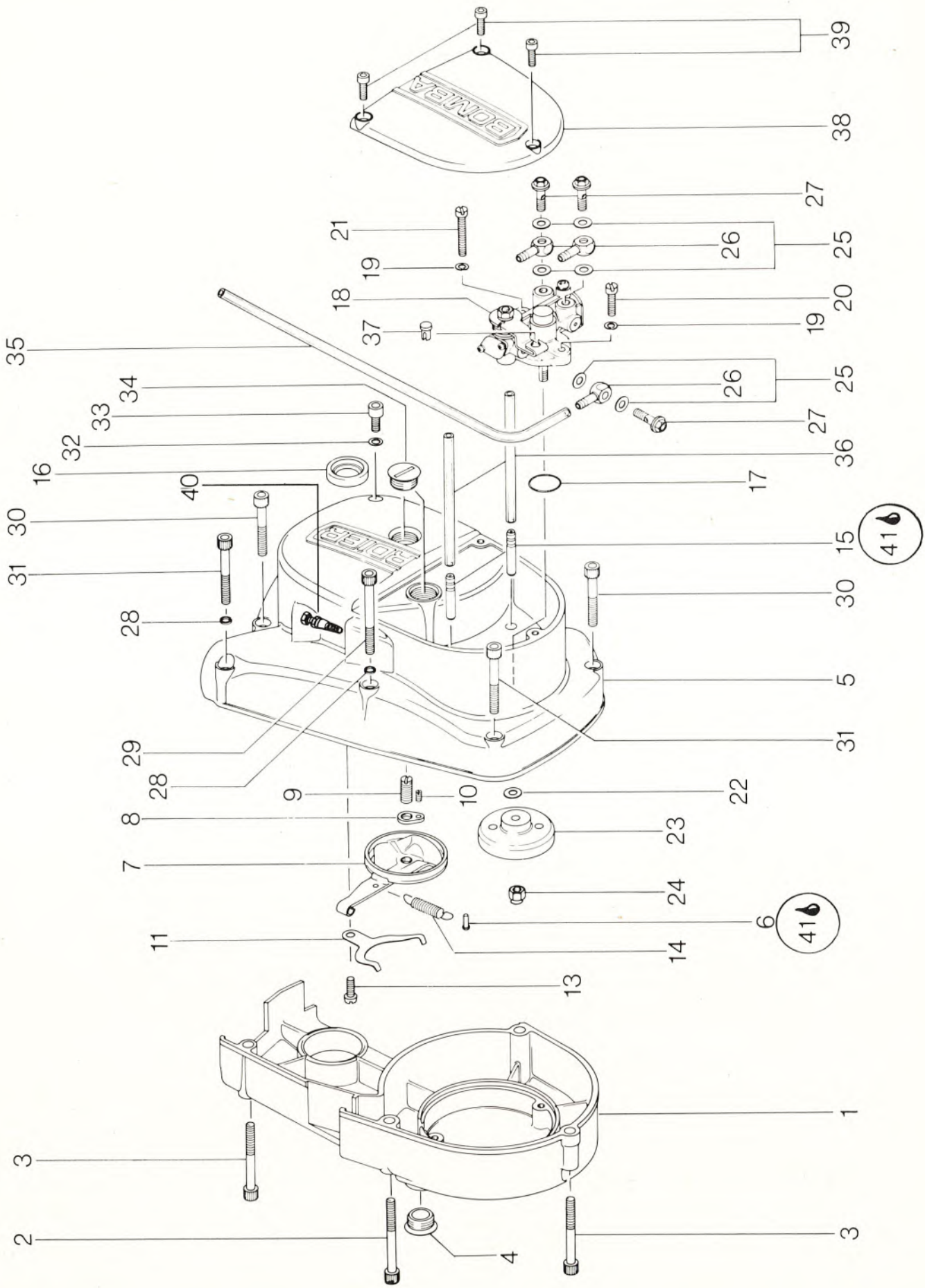
Piston



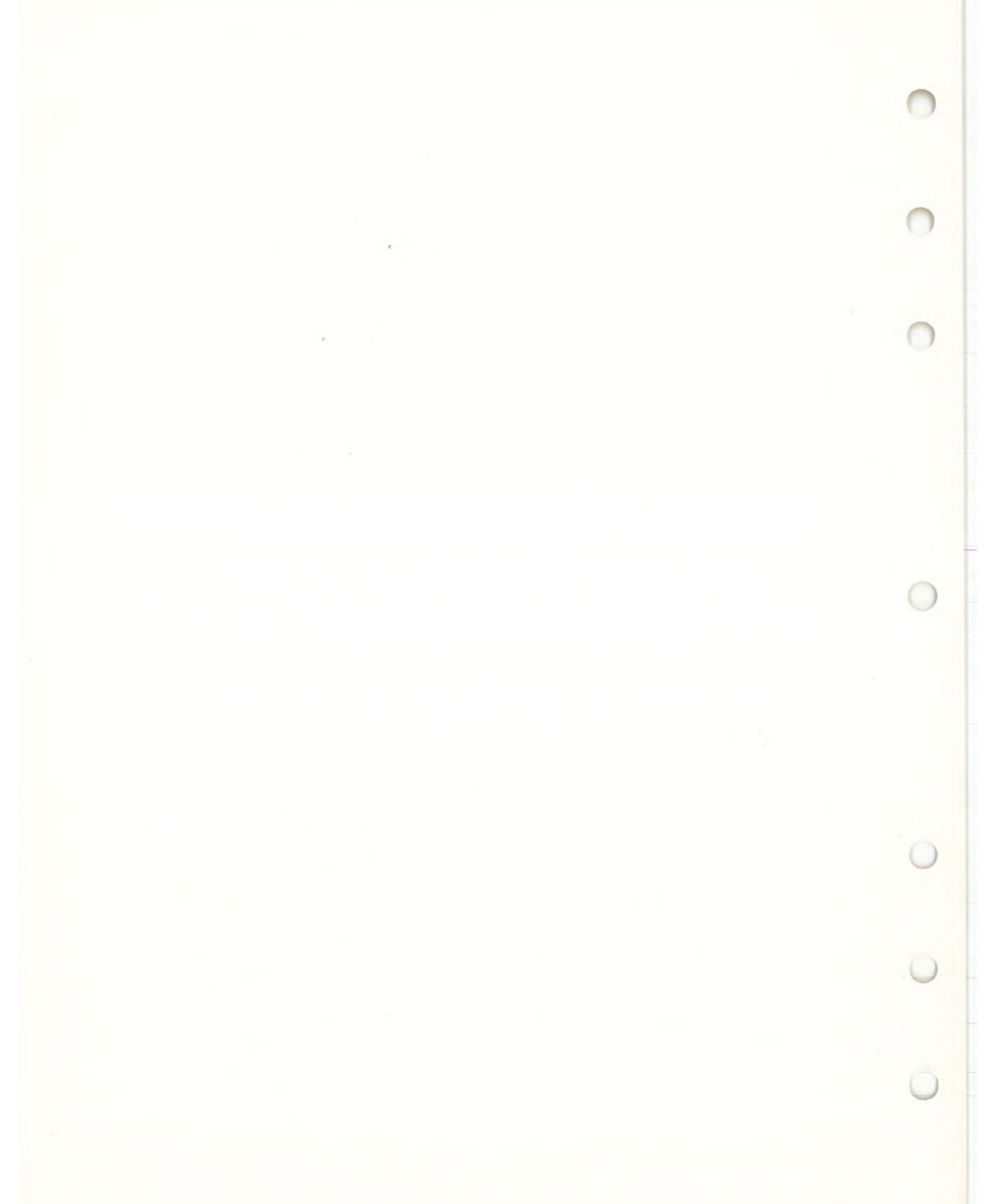
ITEM NO	PART NUMBER	DESCRIPTION	MX-1 250	Flat Rate Time
1 - 2	420 291 490	Crankshaft Ass'y	1	3.5
2	420 227 510	Filler Cap	1	0.1
3	420 224 027	Plate, Oil Guide	1	3.6
4	420 944 582	Shim 0.3 mm, Crankshaft, Magneto Side	AR	-
	420 944 583	Shim 0.1 mm, Crankshaft, Magneto Side	AR	-
	420 944 586	Shim 0.2 mm, Crankshaft, Magneto Side	AR	-
5	420 232 780	Ball Bearing 6206, Crankshaft, Magneto Side	1	3.6
7	420 942 220	Hex. Nut M18 X 1.5, Crankshaft, Magneto Side	1	0.1
8	420 234 922	Gear 9T, Oil Pump Pinion	1	0.4
9	420 232 750	Ball Bearing 3205, Double Row, Crankshaft, Clutch Side	1	3.6
10	420 247 215	Spacer, Disc Valve	1	1.5
11	420 224 015	Disc Valve	1	1.5
12	420 291 597	Drive Gear With Clutch Drum Ass'y (Replace Only Drive Gear With Clutch Drum Ass'y, See Also Section 2 Page 7 No 4	1	0.7
13	420 242 610	Nut M18 X 1.5, Crankshaft, Clutch Side	1	0.7
14	420 246 011	Key, Woodruff, Crankshaft, Magneto Side	1	-
15	420 246 570	Key, Woodruff, Crankshaft, Clutch Side	1	-
16	420 932 904	Needle Bearing, Piston Pin	1	0.7
17 to 19	420 291 505	Piston Ass'y w/Rings 74.0 Dia. Std	1	0.7
	420 291 506	Piston Ass'y w/Rings 74.25 Dia. 1st Oversize	1	D.N.A.
	420 291 507	Piston Ass'y w/Rings 74.5 Dia. 2nd Oversize	1	D.N.A.
	420 291 508	Piston Ass'y w/Rings 74.75 Dia. 3rd Oversize	1	D.N.A.
18	420 215 145	L-Trapez Ring 74.0 Dia. Std	1	D.N.A.
	420 215 146	L-Trapez Ring 74.25 Dia. 1st Oversize	1	D.N.A.
	420 215 147	L-Trapez Ring 74.5 Dia. 2nd Oversize	1	D.N.A.
	420 215 148	L-Trapez Ring 74.75 Dia. 3rd Oversize	1	D.N.A.
19	420 215 155	Rectangular Ring 74.0 Dia. Std	1	0.7
	420 215 156	Rectangular Ring 74.25 Dia. 1st Oversize	1	D.N.A.
	420 215 157	Rectangular Ring 74.5 Dia. 2nd Oversize	1	D.N.A.
	420 215 158	Rectangular Ring 74.75 Dia. 3rd Oversize	1	D.N.A.
20	420 916 185	Piston Pin	1	0.7
21	420 945 735	Circlip, Piston Pin	2	0.7
22	420 230 550	Gasket, Cylinder Base	1	0.6
23	420 213 705	Cylinder w/Sleeve Ass'y	1	0.6
24	420 840 610	Stud M8 X 49, Cylinder Head	2	0.5
25	420 230 560	Shim, Cylinder Head	AR	0.5
26	420 213 710	Cylinder Head, Std	1	0.5
27	420 250 311	Washer 8.4, Cylinder Head Nut	6	-
28	420 842 130	Hex. Nut M8, Cylinder Head	6	-
29	420 230 500	Gasket, Cylinder Head Plug	1	0.1
30	420 241 880	Plug M14 X 1.25, Cylinder Head	1	0.1
31	420 830 270	Gasket, Exhaust Socket	1	0.5
32	420 273 695	Exhaust Socket Ass'y	1	0.5
33	420 945 752	Lockwasher 8 mm	2	-
34	420 240 080	Cyl. Screw M8 X 25, Exhaust Socket	2	-
35	420 213 690	Cylinder Sleeve	1	D.N.A.
36	420 291 494	Crankshaft Repair Kit	1	D.N.A.
37	420 230 530	O'Ring	1	-
38	747 020 000	Loctite 271	AR	-



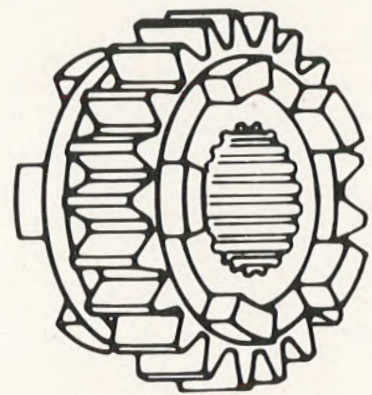
**Magneto, Clutch
and Oil Pump Covers.**



ITEM NO	PART NUMBER	DESCRIPTION	MX-1 250	Flat Rate Time
1	420 212 052	Magneto Cover	1	0.7
2	420 241 761	Cyl. Screw M6 X 50	2	—
3	420 241 821	Cyl. Screw M6 X 45	2	—
4	420 241 800	Plug, Adjustment	1	—
5 - 6 - 15	420 212 047	Clutch Cover Ass'y	1	0.4
6	420 949 030	Drive Pin 3 X 8	1	—
7	420 259 619	Cam Ass'y, Clutch Release	1	0.5
8	420 259 630	Plate, Clutch Adj. Locking	1	0.5
9	420 241 791	Screw M8 X 15, Clutch Adjustment	1	—
10	420 241 795	Screw M4 X 6, Clutch Adjustment	1	—
11	420 239 660	Spring, Clutch Cam Retaining	1	0.5
13	420 240 560	Screw, Slot Head M5 X 12	1	—
14	420 239 630	Spring, Clutch Cam Return	1	0.5
15	420 256 040	Valve Ass'y, Oil Pump Check	2	0.4
16	420 230 350	Seal, Kick Start Shaft	1	—
17	420 230 370	O'Ring, Oil Pump Mounting Flange	1	—
18	420 291 433	Oil Pump Ass'y	1	0.5
19	420 945 750	Lockwasher 5mm	2	—
20	420 240 760	Screw, Slot Head M5 X 16	1	—
21	420 240 975	Screw, Slot Head M5 X 28	1	—
22	420 927 945	Washer 6.2 mm	1	—
23	420 234 932	Gear, Oil Pump, 34 T	1	0.4
24	420 842 040	Hex. Nut M6, Oil Pump Gear	1	0.2
25	420 227 500	Gasket, Oil Banjo	6	0.2
26	420 256 020	Banjo	3	0.3
27	420 241 830	Bolt, Banjo	3	0.2
28	420 830 890	Gasket, Clutch Cover Screw	2	—
29	420 241 761	Screw, Allen Head M6 X 50	1	—
30	420 241 811	Screw, Allen Head, M6 X 35	4	—
31	420 241 816	Screw, Allen Head, M6 X 40	3	—
32	420 830 890	Gasket, Oil Level Plug	1	—
33	420 840 370	Plug, Oil Level	1	—
34	420 241 800	Plug, Adjustment	2	—
35	420 256 032	Oil Line 560 mm	1	0.3
36	420 256 031	Oil Line 90 mm	2	0.3
37	420 297 340	Nipple, Oil Cable	1	0.1
38	420 212 060	Oil Pump Cover	1	0.1
39	420 241 841	Screw, Allen Head M5 X 12	3	—
40	741 005 002	Oil Pump Cable Adjuster	1	0.1
41	747 020 000	Loctite 271	AR	—

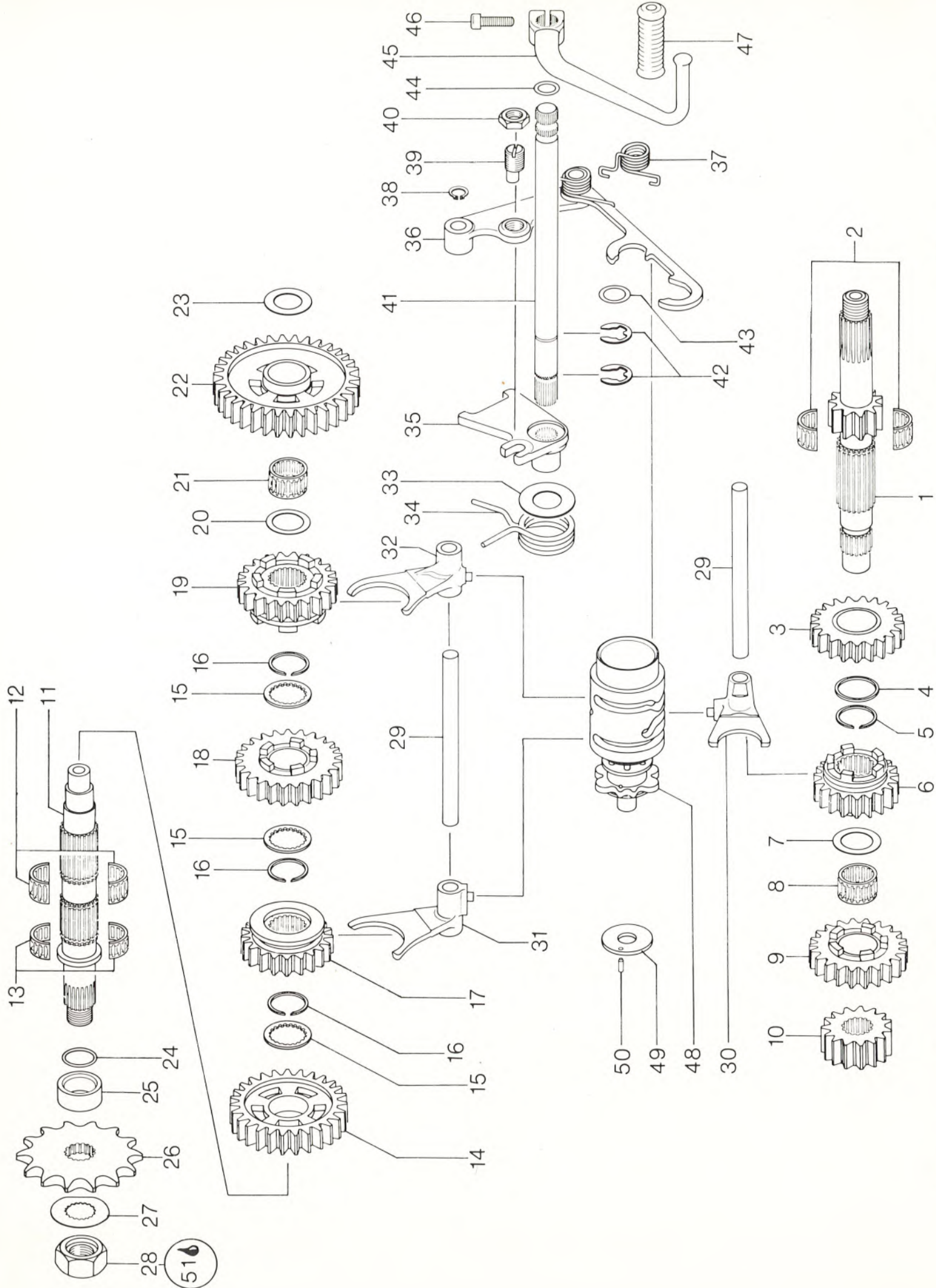


GEAR BOX

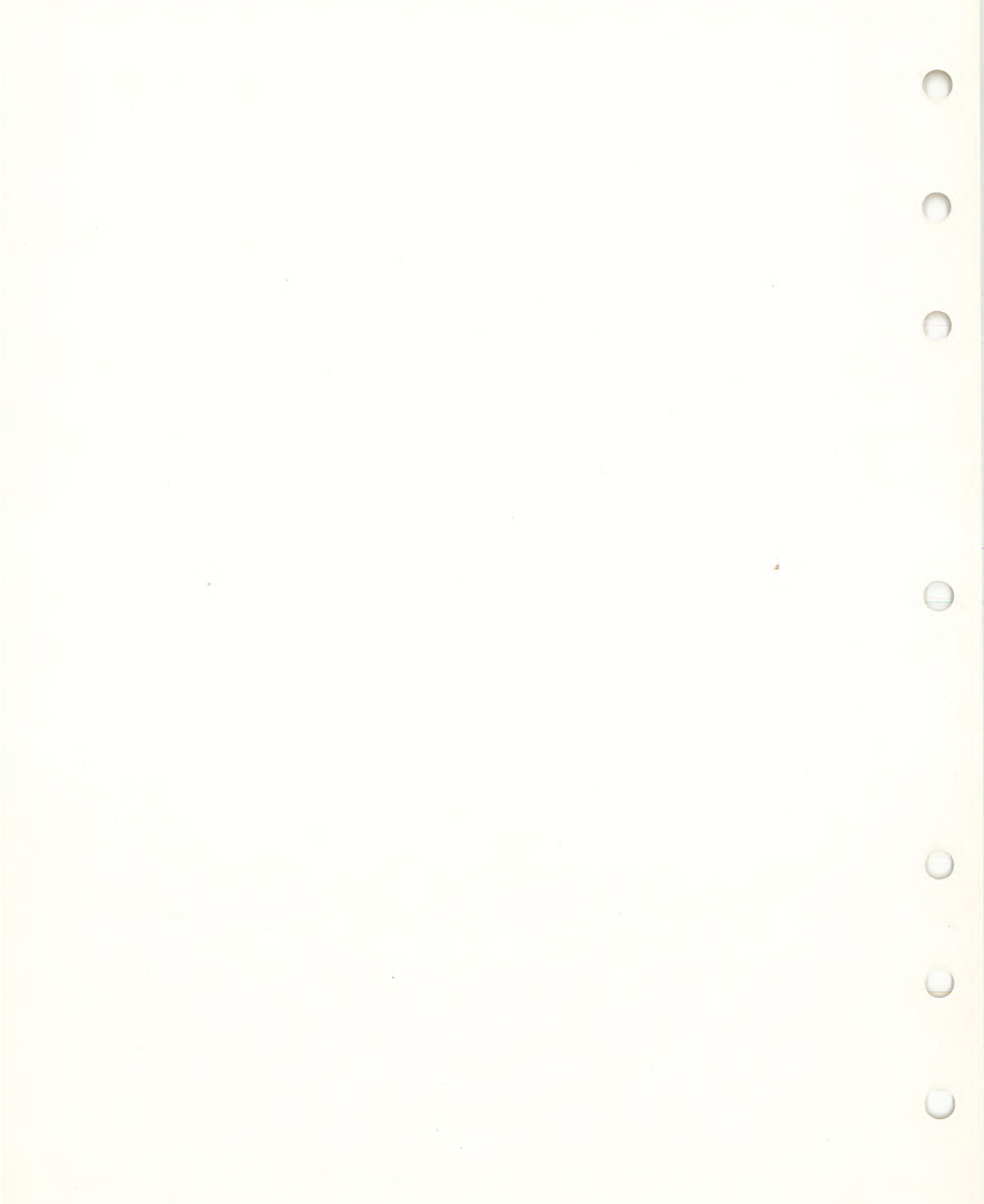




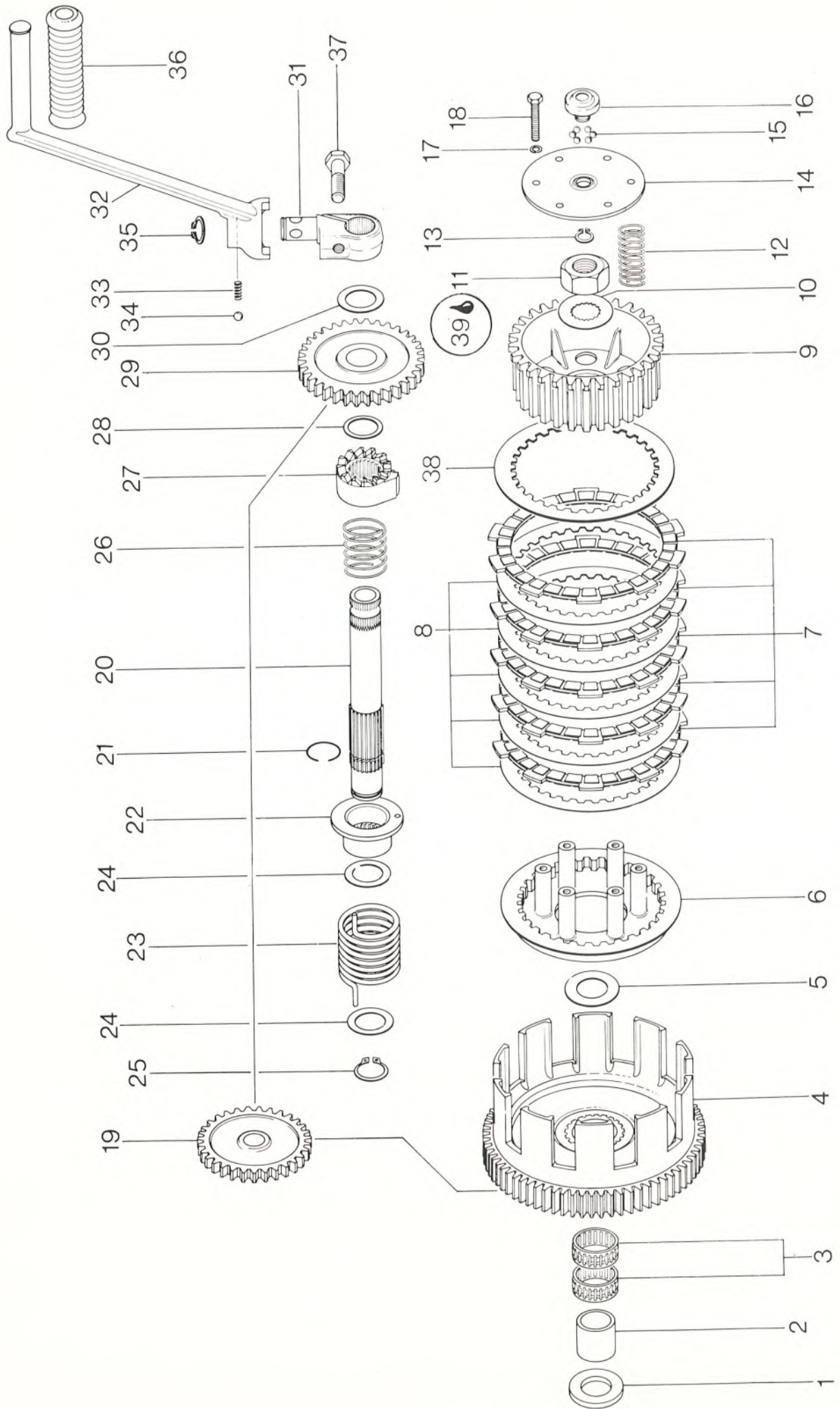
Transmission



ITEM NO	PART NUMBER	DESCRIPTION	MX-1 250	Flat Rate Time
1	420 237 470	Clutch Shaft, 13 T	1	3.2
2	420 232 795	Needle Bearing Ass'y, Clutch Shaft	2	—
3	420 235 080	Gear 4th, Clutch Shaft, 21 T	1	3.2
4	420 227 475	Thrust Washer, Clutch Shaft	1	—
5	420 245 340	Snapping, Clutch Shaft	1	—
6	420 235 060	Gear 3rd, Clutch Shaft, 18 T	1	3.2
7	420 227 440	Thrust Washer, Clutch Shaft	1	—
8	420 232 790	Needle Bearing, Clutch Shaft	1	—
9	420 235 100	Gear 5th, Clutch Shaft, 23 T	1	3.2
10	420 235 140	Gear 2nd, Clutch Shaft, 16 T	1	3.2
11	420 237 450	Main Shaft	1	3.2
12	420 232 800	Needle Bearing, Main Shaft	2	—
13	420 232 740	Needle Bearing, Main Shaft	2	—
14	420 235 150	Gear 2nd, Main Shaft, 28 T	1	3.2
15	420 227 465	Thrust Washer, Main Shaft	3	—
16	420 245 340	Snapping, Main Shaft	3	—
17	420 235 110	Gear 5th, Main Shaft, 21 T	1	3.2
18	420 235 070	Gear 3rd, Main Shaft, 25 T	1	3.2
19	420 235 090	Gear 4th, Main Shaft, 23 T	1	3.2
20	420 944 466	Thrust Washer, Main Shaft	1	—
21	420 232 790	Needle Bearing, Main Shaft	1	—
22	420 235 130	Gear 1st, Main Shaft, 31 T	1	3.2
23	420 227 430	Thrust Washer, Main Shaft	1	—
24	420 230 400	O'Ring, Main Shaft	1	—
25	420 247 225	Spacer, Sprocket	1	0.2
26	420 236 952	Sprocket, 15 T (For Chain Guard 420 297 332)	opt	0.2
	420 236 951	Sprocket, 14 T (For Chain Guard 420 297 331)	1	0.2
	420 236 950	Sprocket, 13 T (For Chain Guard 420 297 330)	opt	D.N.A.
27	420 245 320	Washer, Main Shaft Locking	1	0.2
28	420 242 600	Hex. Nut M16 X 1.5, Main Shaft	1	—
29	420 258 540	Pin, Shift Fork Guide	2	3.0
30	420 258 600	Fork, Shifting 4 - 5	1	3.2
31	420 258 590	Fork Shifting 2	1	3.2
32	420 258 580	Fork, Shifting 1 - 3	1	3.2
33	420 427 070	Thrust Washer, Transmission Actuating Lever	1	—
34	420 239 640	Spring, Transmission Actuating Lever	1	3.2
35	420 258 575	Lever, Transmission Actuating	1	3.2
36	420 258 507	Pawl Ass'y	1	3.2
37	420 239 650	Spring, Pawl	1	3.2
38	420 245 330	Snapping 10 X 1	1	—
39	420 241 805	Screw, Pawl Positioning	1	3.2
40	420 242 270	Hex. Nut M12 X 1, Pawl Positioning Locking	1	—
41	420 237 435	Shift Shaft	1	3.2
42	420 945 790	Retaining Ring, Shift Shaft	2	3.2
43	420 944 851	Thrust Washer, Shift Shaft	1	—
44	420 430 110	O'Ring, Shift Shaft	1	—
45	420 248 781	Shift Lever	1	0.1
46	420 241 930	Screw, Allen Head M6 X 20	1	—
47	420 260 200	Rubber, Shift Lever	1	0.1
48	420 258 615	Shift Drum Ass'y	1	3.2
49	420 227 560	Isolating Washer, Shift Drum	1	—
50	420 249 970	Dowel Pin, Shift Drum	1	3.2
51	747 020 000	Loctite 271	AR	—



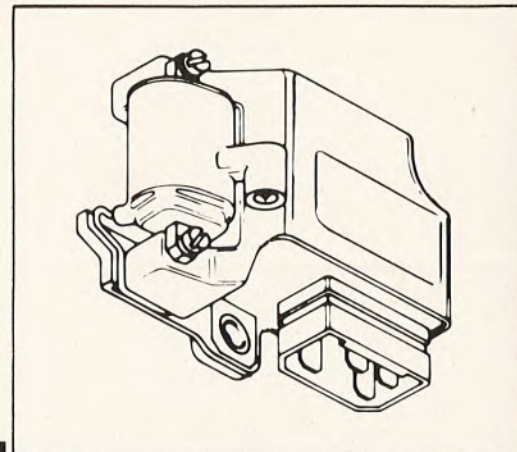
Clutch, Kick Start



ITEM NO	PART NUMBER	DESCRIPTION	MX-1 250	Flat Rate Time
1	420 227 600	Thrust Washer, Inner, Clutch Drum	1	—
2	420 232 700	Inner Race, Clutch Drum	1	0.7
3	420 232 650	Needle Bearing, Clutch Drum	2	—
4	420 291 597	Drive Gear With Clutch Drum Ass'y (Replace Only Drive Gear With Clutch Drum Ass'y, See Also Section 1 Page 7 No 12)	1	0.7
5	420 227 590	Thrust Washer, Outer, Clutch Drum	1	—
6	420 259 570	Plate, Clutch, Inner Pressure	1	0.7
7	420 259 560	Plate, Clutch, Friction	5	0.7
8	420 259 557	Plate, Clutch, Outer Pressure	5	0.7
9	420 259 540	Clutch Hub	1	0.7
10	420 245 320	Washer, Transmission Shaft Locking	1	—
11	420 242 600	Hex. Nut M16 X 1.5, Transmission Shaft	1	—
12	420 239 628	Spring, Clutch (Change Springs Only Setwise)	6	0.6
13 - 16	420 259 596	Plate, Clutch Spring Retaining, w/Hub Ass'y	1	0.6
13	420 245 330	Snapping 10 X 1	1	—
14	420 259 590	Plate, Clutch Spring Retaining	1	0.6
15	420 932 990	Ball 5/32"	12	—
16	420 259 705	Hub, Clutch Spring Retaining	1	0.6
17	420 945 750	Lockwasher 5	6	—
18	420 241 770	Screw, Hex. Head M5 X 25	6	—
19	420 234 907	Gear, Kick Start Idler, 31 T	1	0.6
20	420 237 420	Kick Start Shaft	1	3.2
21	420 245 350	Circlip, Kick Start Shaft	1	—
22	420 228 195	Retaining Hub, Kick Start Spring	1	1.7
23	420 239 381	Spring, Kick Start Return	1	1.7
24	420 944 466	Thrust Washer	2	—
25	420 945 660	Snapping, Kick Start Shaft	1	—
26	420 239 610	Spring, Kick Start Ratchet Engagement	1	0.6
27	420 228 180	Ratchet Gear, Kick Start	1	0.6
28	420 227 480	Thrust Washer, Kick Gear	1	—
29	420 234 916	Gear, Kick Start Drive, 34 T	1	0.6
30	420 944 466	Thrust Washer, Kick Start	1	—
	420 944 460	Shim 0.2	AR	—
	420 944 465	Shim 0.15	AR	—
31 - 36	420 248 796	Lever Ass'y, Kick Start	1	0.1
31	420 248 800	Hub, Kick Start	1	0.1
32	420 248 791	Lever, Kick Start	1	0.1
33	420 239 535	Spring, Kick Start Lever	1	0.1
34	420 232 440	Ball 7/32", Kick Start Lever	1	—
35	420 945 840	Snapping, Kick Start Lever	1	—
36	420 260 210	Rubber Sleeve, Kick Start	1	0.1
37	420 241 991	Screw, Hex. Head M8 X 28	1	—
38	420 259 555	Plate, Clutch, Outer Pressure	1	0.7
39	747 020 000	Loctite 271	AR	—

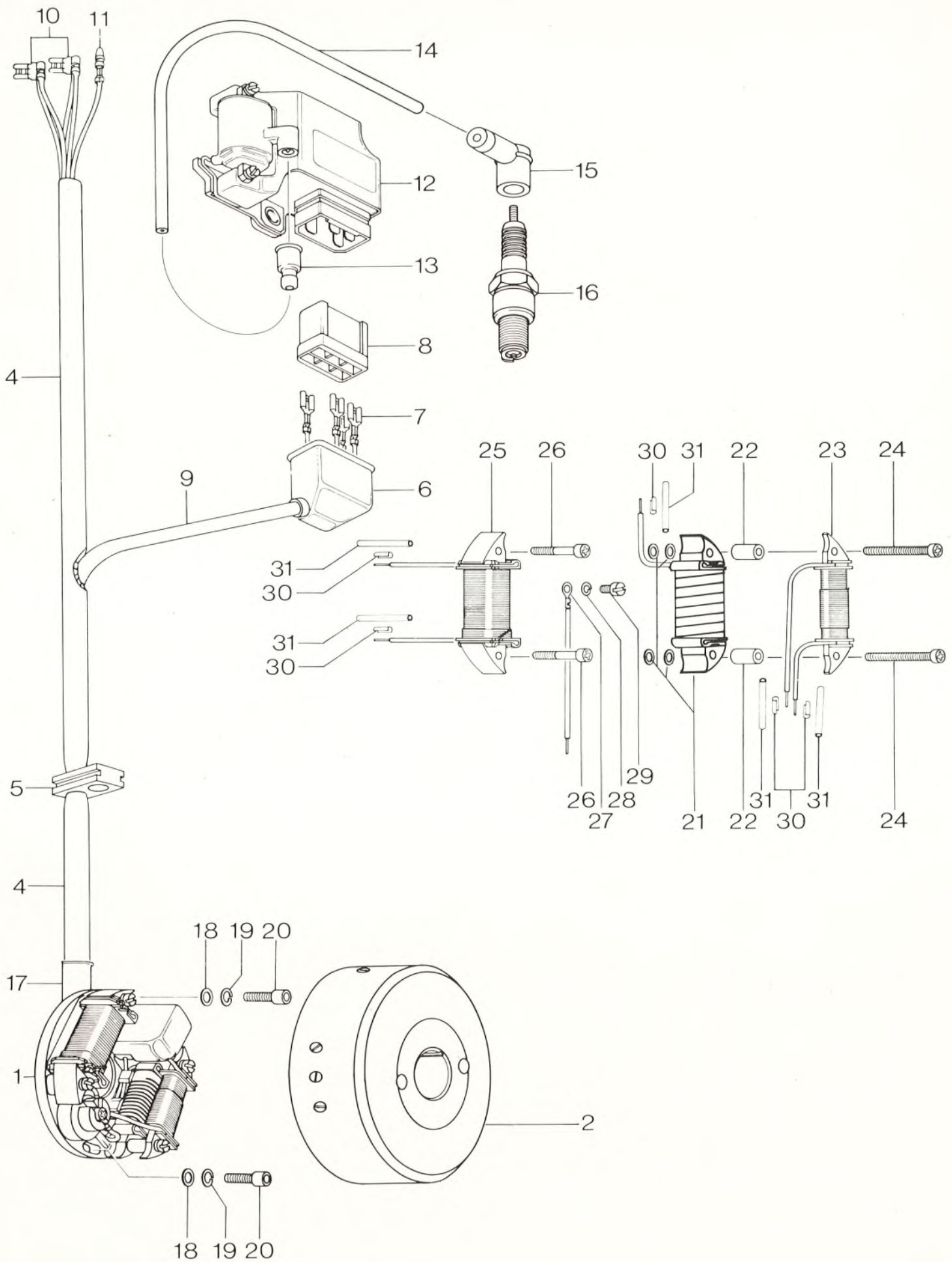


ELECTRICAL



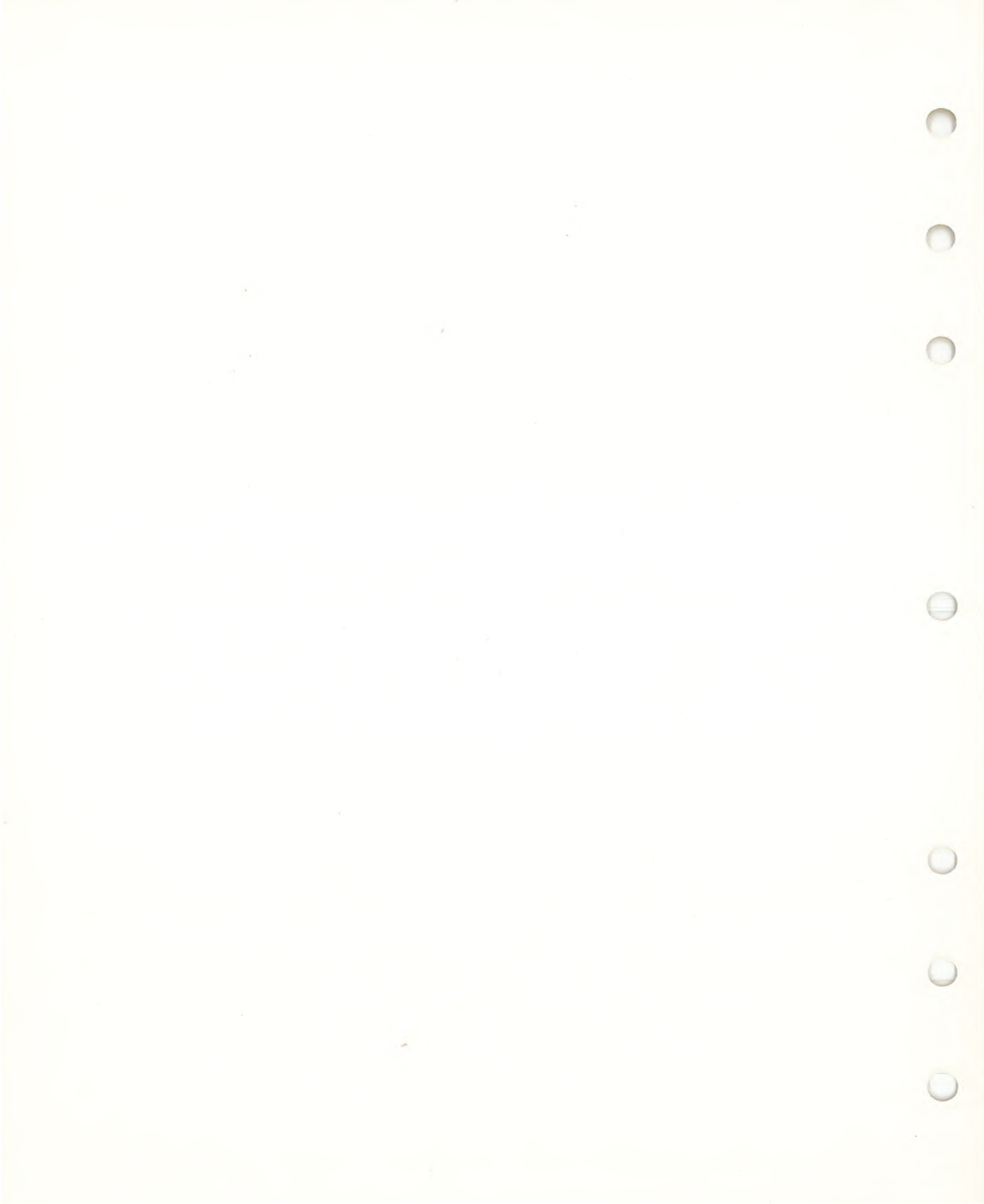


Magneto

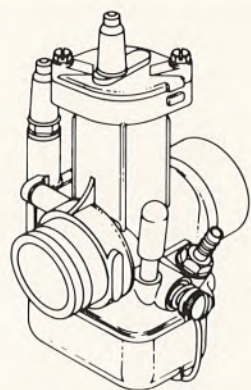


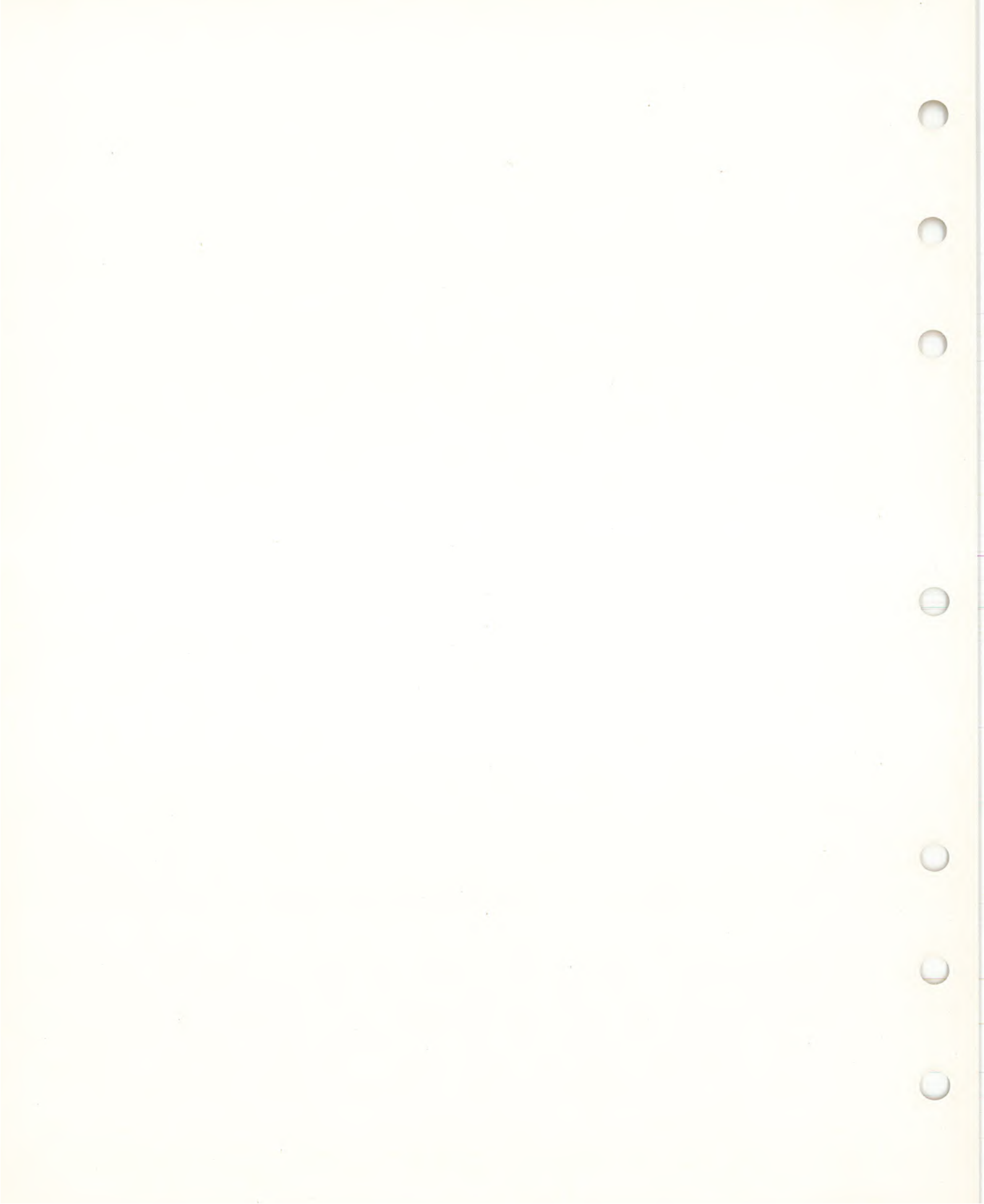
ITEM NO	PART NUMBER	DESCRIPTION	MX-1 250	Flat Rate Time
1 - 2	420 291 571	Magneto Generator Ass'y	1	—
4 to 15	"	" " "	"	"
1	420 291 462	Stator Plate Ass'y	1	—
4 to 11	"	" " "	"	"
1	420 264 560	Stator Plate Alone (Trigger Plate)	1	0.9
2	420 291 560	Flywheel	1	0.7
4	420 260 433	Protection Hose 400 mm	1	0.2
5	420 260 345	Cable Grommet	1	0.1
6	420 960 791	Protection Cap	1	0.2
7	420 864 011	Faston Connector	4	0.1
8	420 865 455	Connector Housing	1	0.2
9	420 260 462	Protection Hose 185 mm	1	0.2
10	420 864 261	Faston Connector	2	0.1
11	420 964 062	Contact Pin	1	0.2
12	420 264 470	Electronic Box	1	0.2
13	420 960 360	Protection Cap	1	0.1
14	420 265 745	Ignition Cable 440 mm.	1	0.1
15	420 865 205	Spark Plug Protector	1	0.1
16	420 899 750	Spark Plug N 57 G	opt	D.N.A.
	420 899 760	Spark Plug N 59 G	1	D.N.A.
	420 899 740	Spark Plug N 2 G	opt	D.N.A.
17	420 224 030	Holder, Cables	1	0.1
18	420 927 570	Washer 5.3 mm	2	—
19	420 945 750	Lockwasher 5 mm	2	—
20	420 840 510	Screw M5 X 16, Allen Head	2	—
21	420 264 517	Charging Coil With Wires With 4 Washers (See Note)	1	0.8
22	420 247 260	Distance Sleeve 10.5 mm	1	0.3
23	420 264 505	Brake Light Coil With Wires	1	0.8
24	420 841 025	Cyl. Screw M4 X 28	1	0.7
25	420 264 495	Lighting Coil With Wires	1	0.8
26	420 841 030	Cyl. Screw M4 X 22	2	—
27	420 965 700	Cable Shoe M4	1	0.4
28	420 945 758	Lockwasher 4 mm	1	—
29	420 941 271	Cyl., Screw M4 X 6	1	—
30	420 264 530	Cable Terminal	7	0.4
31	420 260 411	Protection Hose 25 mm	7	0.4

Note: Washer 4.3 (Install Between Armature Plate And Charging Coil, When Bosses on Starter Plate Are 10.5 mm High. Not Needed When Bosses Are Approx. 12 mm High).

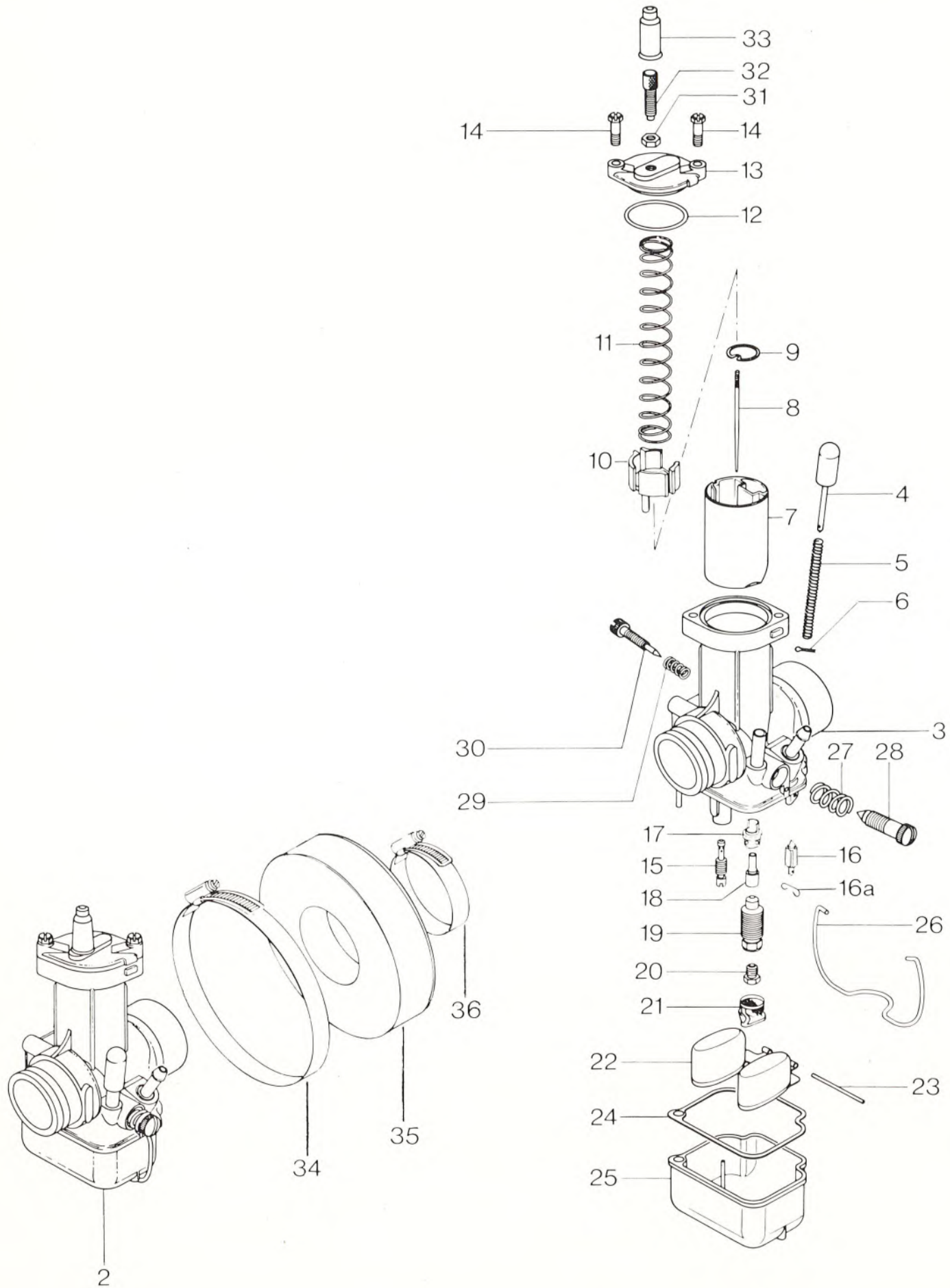


CARBURETION

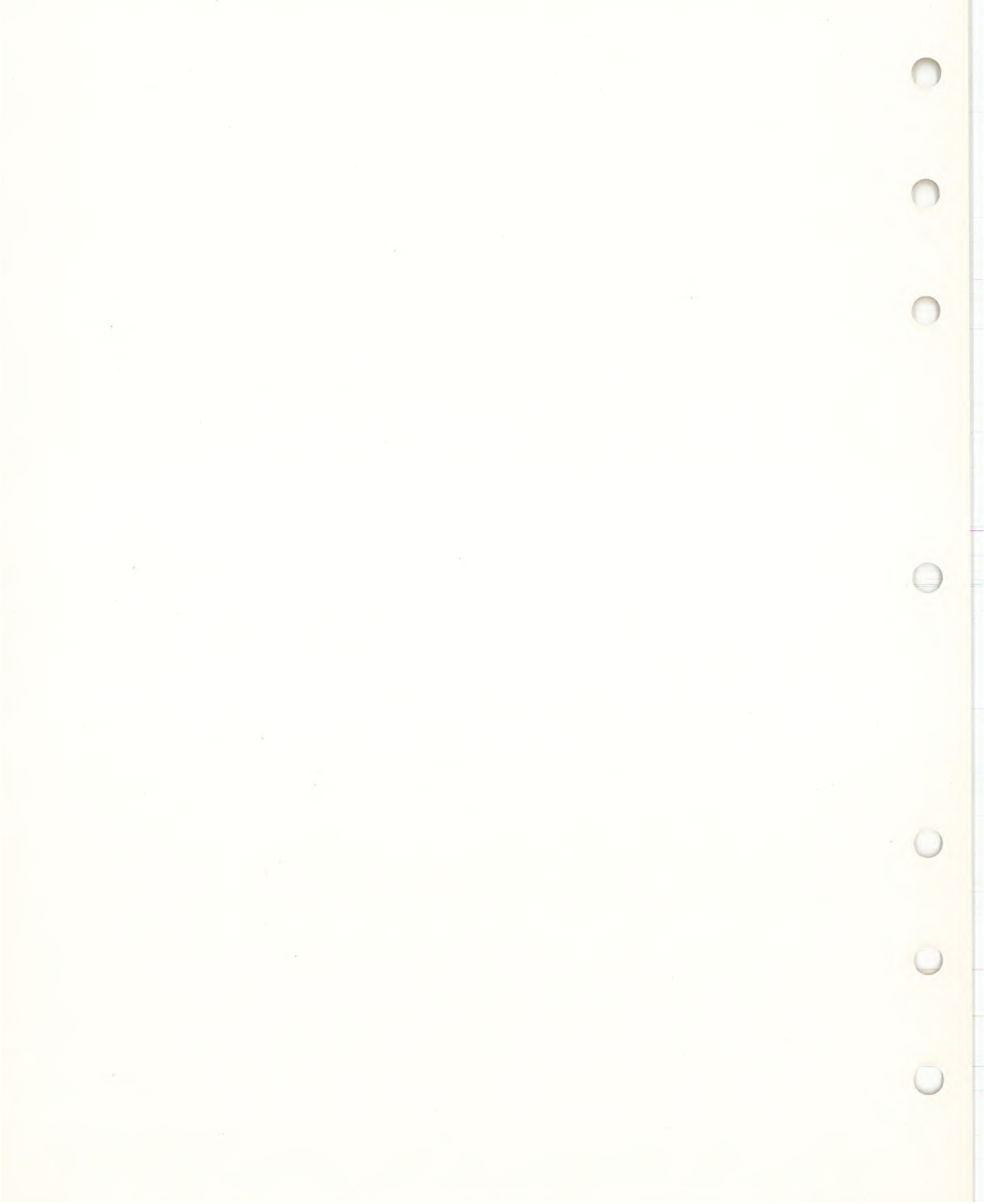




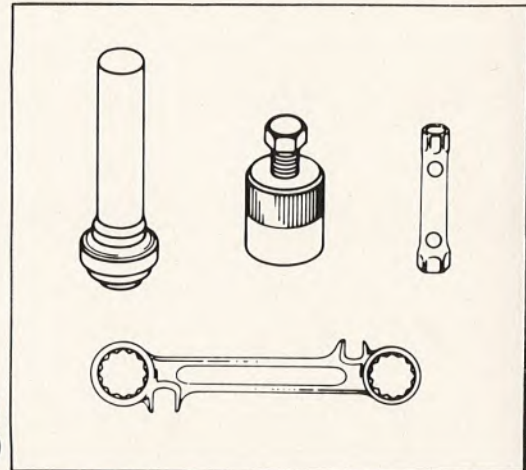
Carburetor

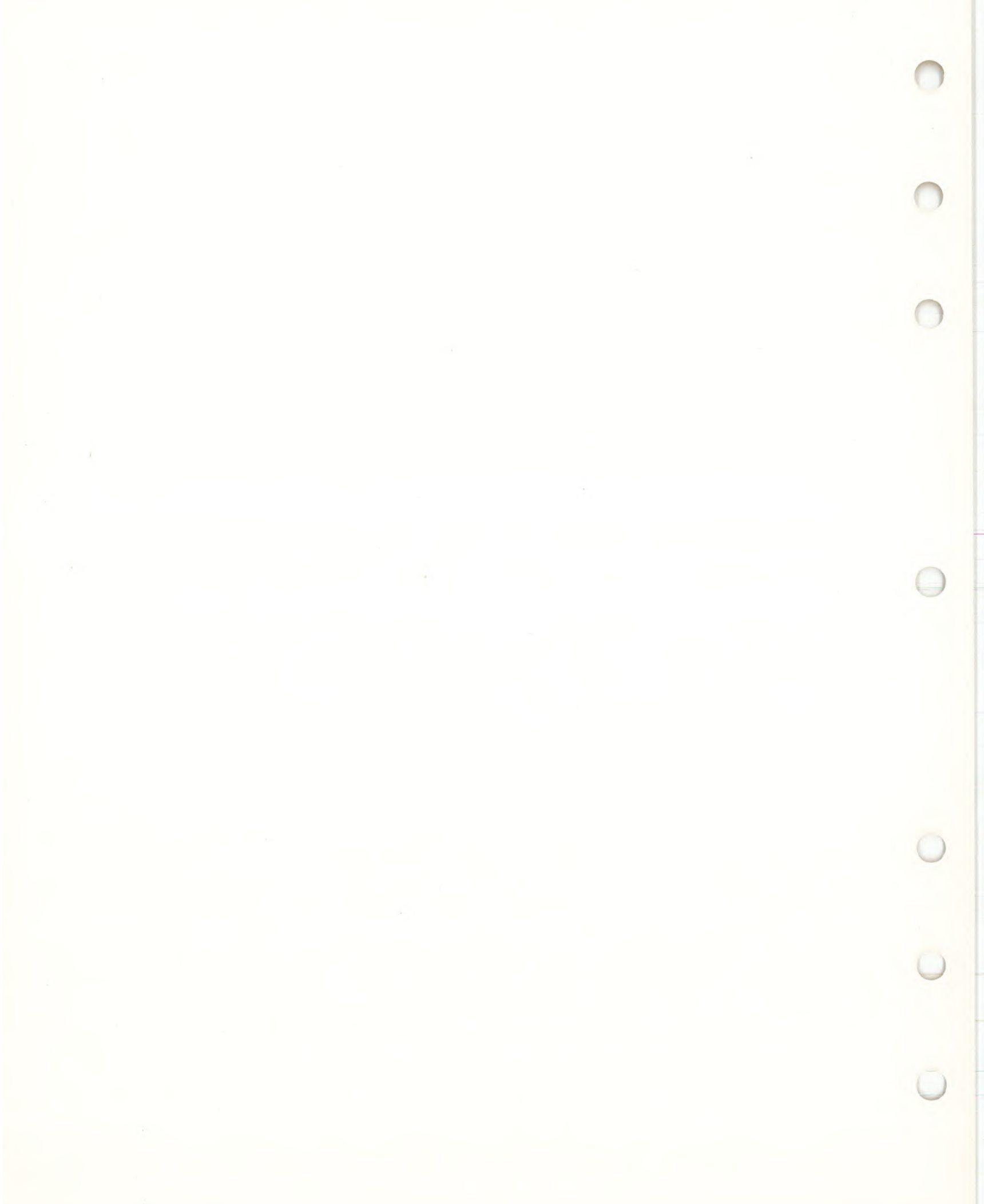


ITEM NO	PART NUMBER	DESCRIPTION	MX-1 250	Flat Rate Time
2	420 291 444	Bing Double Float Carburetor 1/32/115	1	-
3	420 261 590	Carburetor Housing Ass'y	1	0.5
4	420 963 090	Carburetor Primer	1	0.5
5	420 938 100	Spring, Primer	1	0.5
6	420 245 240	Splint Pin, Primer	1	0.5
7	420 261 631	Carburetor Piston	1	0.2
8	420 261 640	Jet Needle (1 Identifying Ring)	opt	-
	420 261 641	Jet Needle (4 Identifying Ring)	1	0.2
9	420 261 650	Needle Clip	1	-
10	420 227 635	Plastic Spring Cup	1	-
11	420 239 700	Spring, Carburetor Piston	1	0.2
12	420 261 670	Rubber Ring	1	-
13	420 261 660	Cover Plate	1	0.2
14	420 241 430	Hex. Screw M5 X 12	2	-
15	420 963 141	Idler Jet 30	opt	-
	420 963 142	Idler Jet 40	1	0.5
	420 963 143	Idler Jet 35	opt	-
16	420 261 700	Float Needle	1	0.5
16a	420 261 710	Clip, Float Needle	1	0.5
17	420 261 690	Diffuser (5 mm High/No Cutaway)	opt	-
	420 261 692	Diffuser (6 mm High/5 mm Cutaway)	1	0.5
18	420 261 600	Needle Jet 2.76	opt	-
	420 261 605	Needle Jet 2.73	1	0.5
	420 261 608	Needle Jet 2.70	opt	-
19	420 963 130	Mixing Tube	1	0.5
20	420 268 983	Main Jet 150	1	0.5
	420 268 984	Main Jet 155	opt	D.N.A.
	420 268 979	Main Jet 130	opt	D.N.A.
	420 268 980	Main Jet 135	opt	D.N.A.
	420 268 981	Main Jet 140	opt	D.N.A.
	420 268 982	Main Jet 145	opt	D.N.A.
	420 268 985	Main Jet 160	opt	D.N.A.
	420 268 986	Main Jet 165	opt	D.N.A.
	420 268 987	Main Jet 170	opt	D.N.A.
21	420 261 620	Sieve Sleeve	1	0.5
22	420 963 190	Float	1	0.5
23	420 929 700	Pin	1	0.5
24	420 830 720	Gasket, Float Chamber	1	0.5
25	420 261 610	Float Chamber	1	0.5
26	420 963 180	Spring Clip	1	0.2
27	420 938 640	Spring, Adjustment Screw	1	-
28	420 963 160	Adjustment Screw	1	0.1
29	420 939 880	Spring, Air Regulating Screw	1	0.1
30	420 963 150	Air Regulating Screw	1	0.1
31	420 942 540	Hex. Nut M6 X 0.75	1	-
32	420 241 440	Adjustment Screw M6 X 0.75	1	-
33	420 260 370	Rubber Grommet	1	-
34	740 002 004	Hose Clamp (Air Box)	1	0.1
35	740 003 000	Carburetor Boot	1	0.3
36	408 8019 00	Hose Clamp	1	0.3



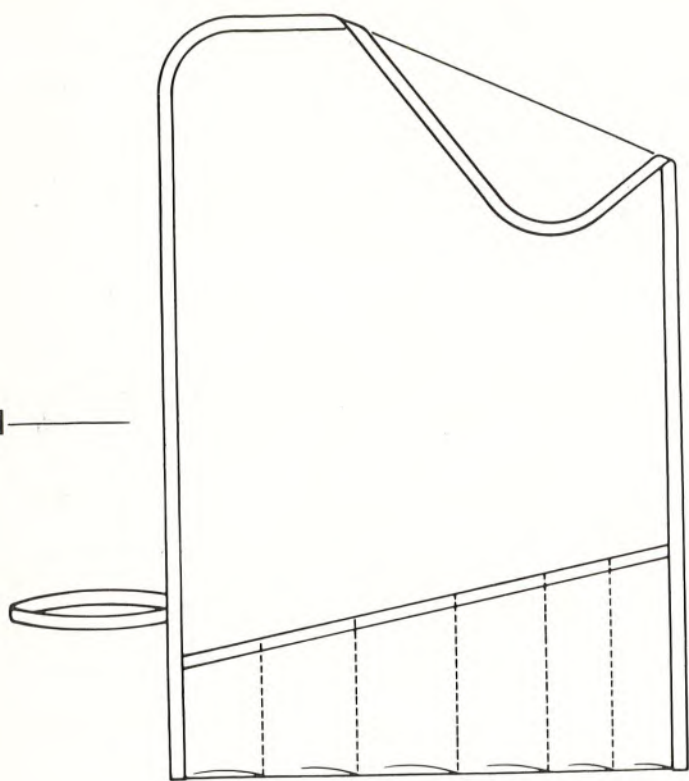
SPECIAL TOOLS





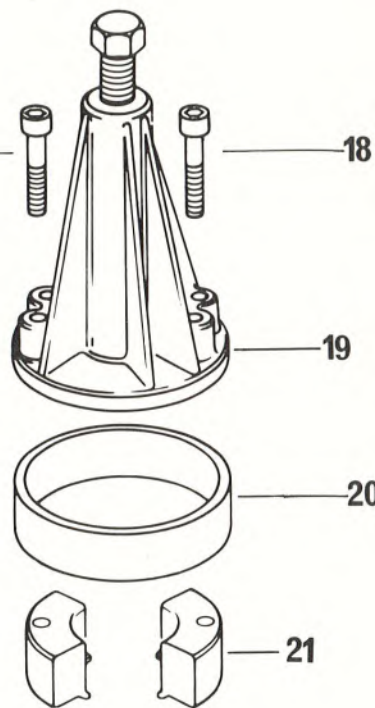
**Tools,
Special and
Owner's Kit.**

1

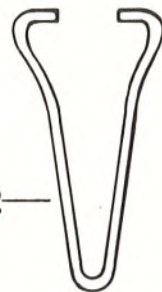


18

18



22



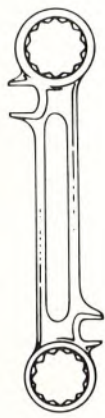
20

21

16



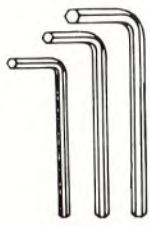
15



2



3



4

5

6



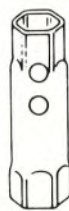
7



8



9



10



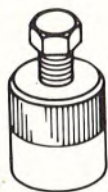
11



12



13



14



27



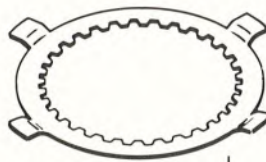
23



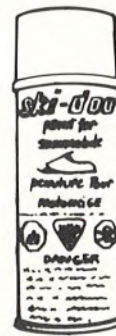
24



25



17

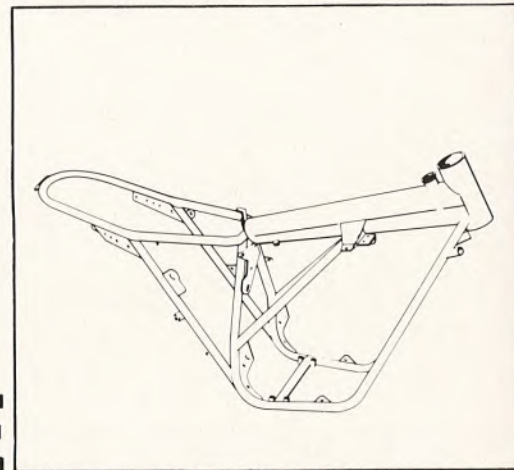


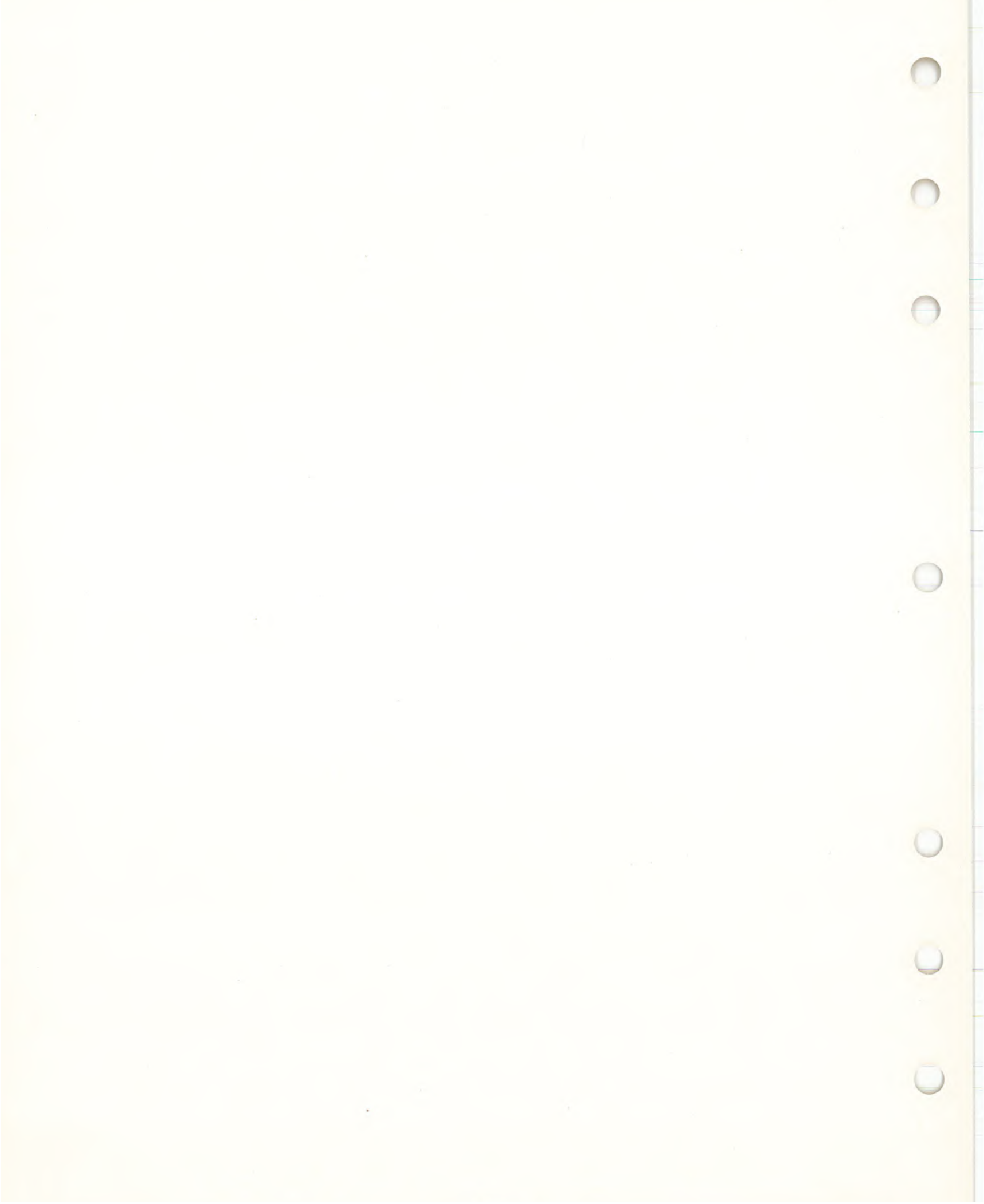
26

ITEM NO	PART NUMBER	DESCRIPTION	MX-1 250	Flat Rate Time
1 to 10	420 277 780	Tool Kit, Owners	1	—
1	420 876 190	Tool Bag	1	—
2	420 277 820	Combined Wrench	1	—
3	420 276 065	Wrench Double Open 10/13 mm	1	—
4	420 277 790	Wrench 4, Int. Hex. Screw	1	—
5	420 876 360	Wrench 5, Int. Hex. Screw	1	—
6	420 277 810	Wrench 6, Int. Hex. Screw	1	—
7	420 277 830	Insert For Screwdriver	1	—
8	420 277 840	Grip For Screwdriver	1	—
9	420 876 220	Socket Wrench 11/13 mm	1	—
10	420 277 410	Socket Wrench 17/21 mm	1	—
11	420 277 850	Oil Seal Insertion Jig (Kick Starter)	1	—
12	420 277 860	Oil Seal Insertion Jig (Crankshaft Magneto Side And Clutch Side)	1	—
13	420 277 870	Oil Seal Insertion Jig (Main Shaft Sprocket)	1	—
14	420 277 805	Puller Ass'y For Flywheel	1	—
15	420 277 900	Pump Gear Wrench	1	—
16	420 241 960	Locating Bolt For Crankshaft	1	—
17	420 277 885	Clutch Hub Locking Tool	1	—
18	420 840 680	Cylinder Screw W. Int. Hex. M8 X 40	2	—
19	420 876 296	Puller Ass'y For Bearings On Crankshaft	1	—
20	420 977 480	Ring For Puller	1	—
21	420 277 890	Ring Half For Puller	2	—
22	748 033 000	Cam Adjuster Tool, S & W Shock Absorber	1	—
23	747 020 000	Loctite 271	6cc	—
24	747 018 000	Silicone Dielectric Grease Dow Corning DC-4	2 oz	—
25	747 002 000	Silicone Seal Dow Corning Clear	3 oz	—
	747 002 001	Silicone Seal Dow Corning Black	3 oz	—
26	413 4026 00	Paint Black	16 oz	—
27	748 019 000	Vapor Plug	1	—

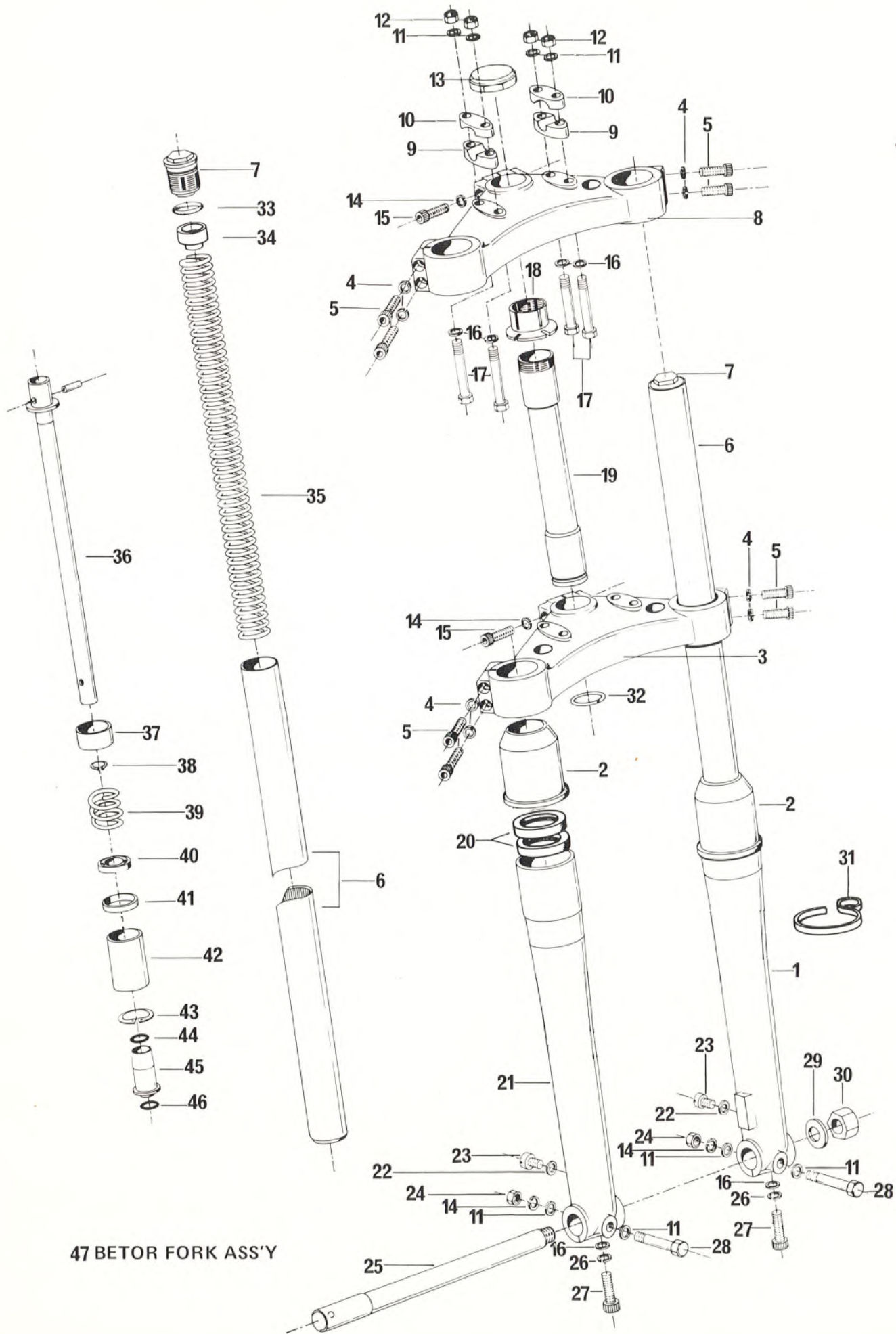


FRAME



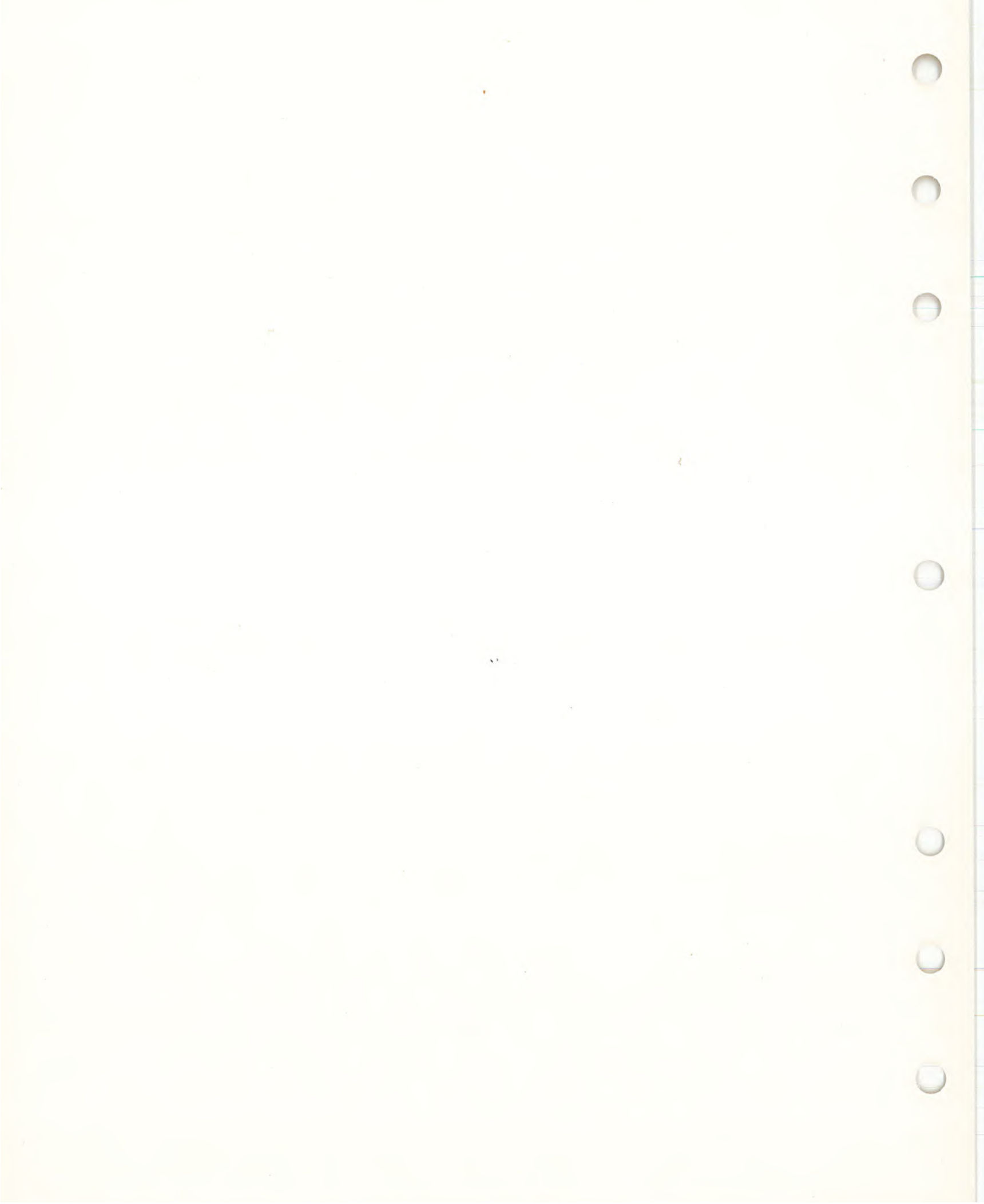


Fork

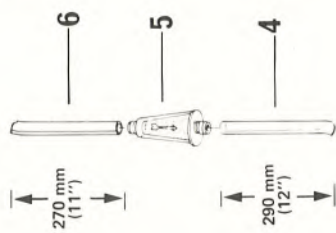
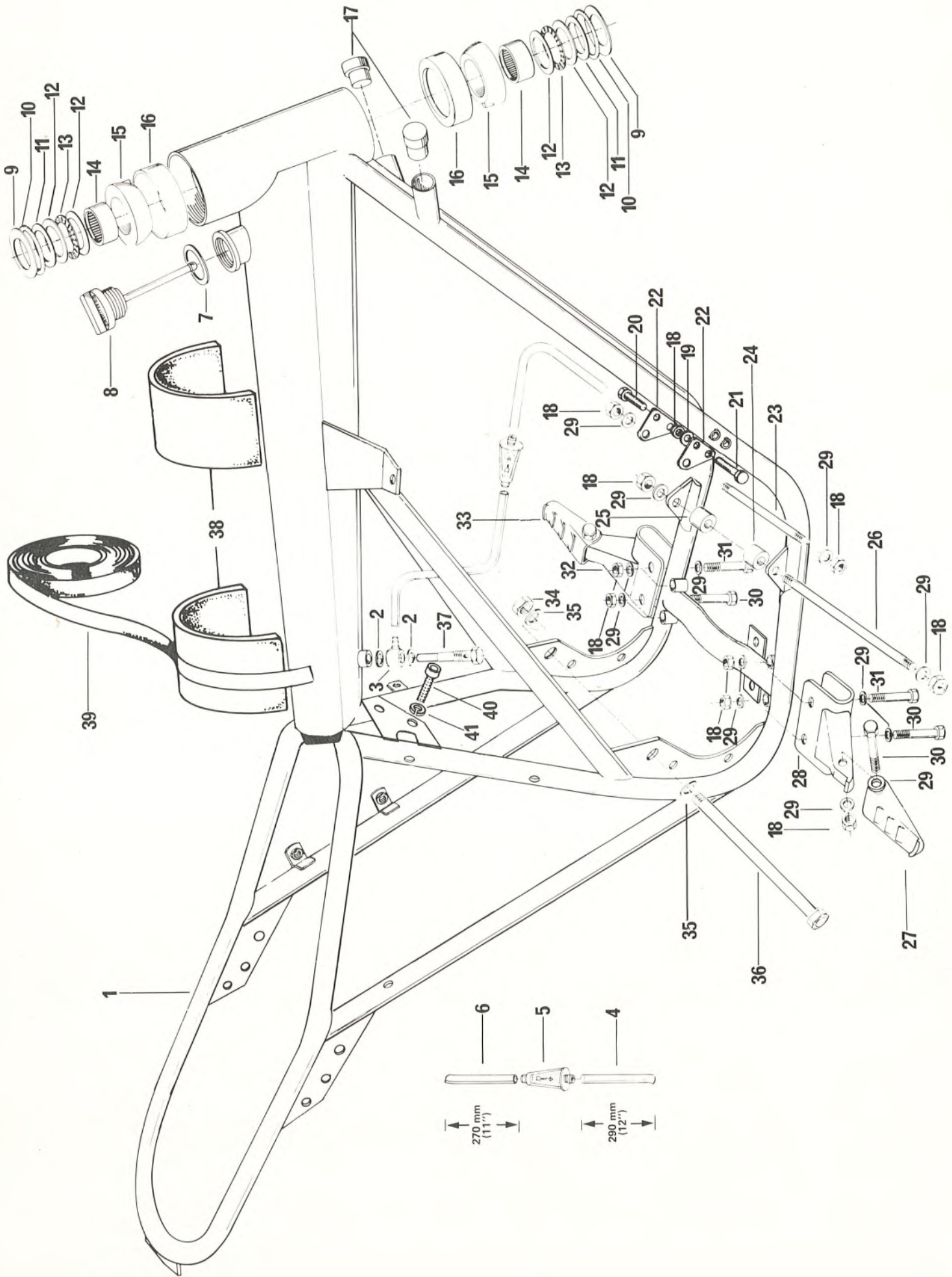


47 BETOR FORK ASS'Y

ITEM NO	PART NUMBER	DESCRIPTION	MX-1 250	Flat Rate Time
1	742 020 002	Fork Slider Left	1	0.5
2	742 025 000	Dust Boot	2	0.2
3	742 026 001	Lower Triple Clamp	1	0.7
4	224 762 100	Lockwasher 6 mm	8	-
5	222 963 015	Screw Socket Head M6 X 1.00 X 30	8	-
6	742 015 000	Fork Tube	2	0.6
7	742 017 000	Cap, Spring Retaining	opt	D.N.A.
	742 017 001	Cap, Spring Retaining (Vented) (Use With Spring Guide # 742 044 000)	2	0.1
8	742 030 001	Top Triple Clamp	1	0.4
9 to 12	742 011 000	Handlebar Clamp Ass'y	2	0.2
16 - 17		" " "		
9	742 018 000	Handlebar Clamp Bottom	2	0.1
10	742 019 000	Handlebar Clamp Top	2	0.1
11	224 081 170	Washer Flat 8 mm X 17 X 2	11	-
12	228 581 015	Nut Hex. Elastic Stop M8 X 1.25	4	-
13	742 029 001	Cap Nut	1	0.2
14	224 782 120	Lockwasher 8 mm	4	-
15	222 983 025	Screw, Socket Head M8 X 1.25 X 30	2	-
16	224 080 140	Washer Flat 8 mm X 14 X 1.5	6	-
17	222 087 525	Screw Hex. Head Cap M8 X 1.25 X 75	4	-
18	742 027 000	Adjuster Stem Nut	1	0.5
19	742 008 000	Steering Stem	1	0.7
20	742 010 001	Main Seal	4	0.6
21	742 024 002	Fork Slider Right	1	0.5
22	224 061 122	Washer Fiber Special	2	-
23	223 160 725	Drain Screw	2	0.1
24	228 081 025	Nut Hex. Head Cap M8 X 1.25	2	-
25	742 034 000	Front Axle	1	0.1
26	224 781 140	Lockwasher 8 mm	2	-
27	222 982 515	Screw, Socket Head M8 X 1.25 X 25	2	-
28	222 085 525	Screw, Hex. Head Cap M8 X 1.25 X 55	2	-
29	742 036 000	Washer, Special	1	-
30	742 035 000	Nut, Special	1	-
31	742 001 004	Cable Guide, Brake	1	0.1
32	742 028 000	Circlip	1	0.1
33	732 401 003	O'Ring	1	-
34	742 044 000	Guide, Spring Upper (Used With Vented Cap # 742 017 001)	2	0.1
35	742 009 000	Spring 18 Lbs (no Color Code)	opt	D.N.A.
	742 009 001	Spring 19 Lbs (Color Code: Red)	2	0.1
	742 009 002	Spring 16 Lbs (Color Code: Yellow)	opt	D.N.A.
	742 009 003	Spring 14 - 24 Lbs (Color Code: White)	opt	D.N.A.
36 to 45	742 031 000	Damper Ass'y	2	0.6
36	742 014 000	Rod, Damping	2	0.6
37	742 016 000	Bushing	2	0.6
38	732 802 000	Circlip	2	0.6
39	742 013 000	Spring, Top Out	2	0.6
40	742 023 000	Valve Orifice	2	0.6
41	742 022 000	Valve Washer	2	0.6
42	742 021 000	Damper Support Body	2	0.6
43	732 801 000	Circlip	2	0.6
44	224 082 062	Washer Fiber	2	-
45	742 039 000	Valve	1	-
46	732 401 002	O'Ring	1	-
47	742 003 002	Front Fork Ass'y (Items Not Included: 13, 18, 19, 32, 35)	1	-



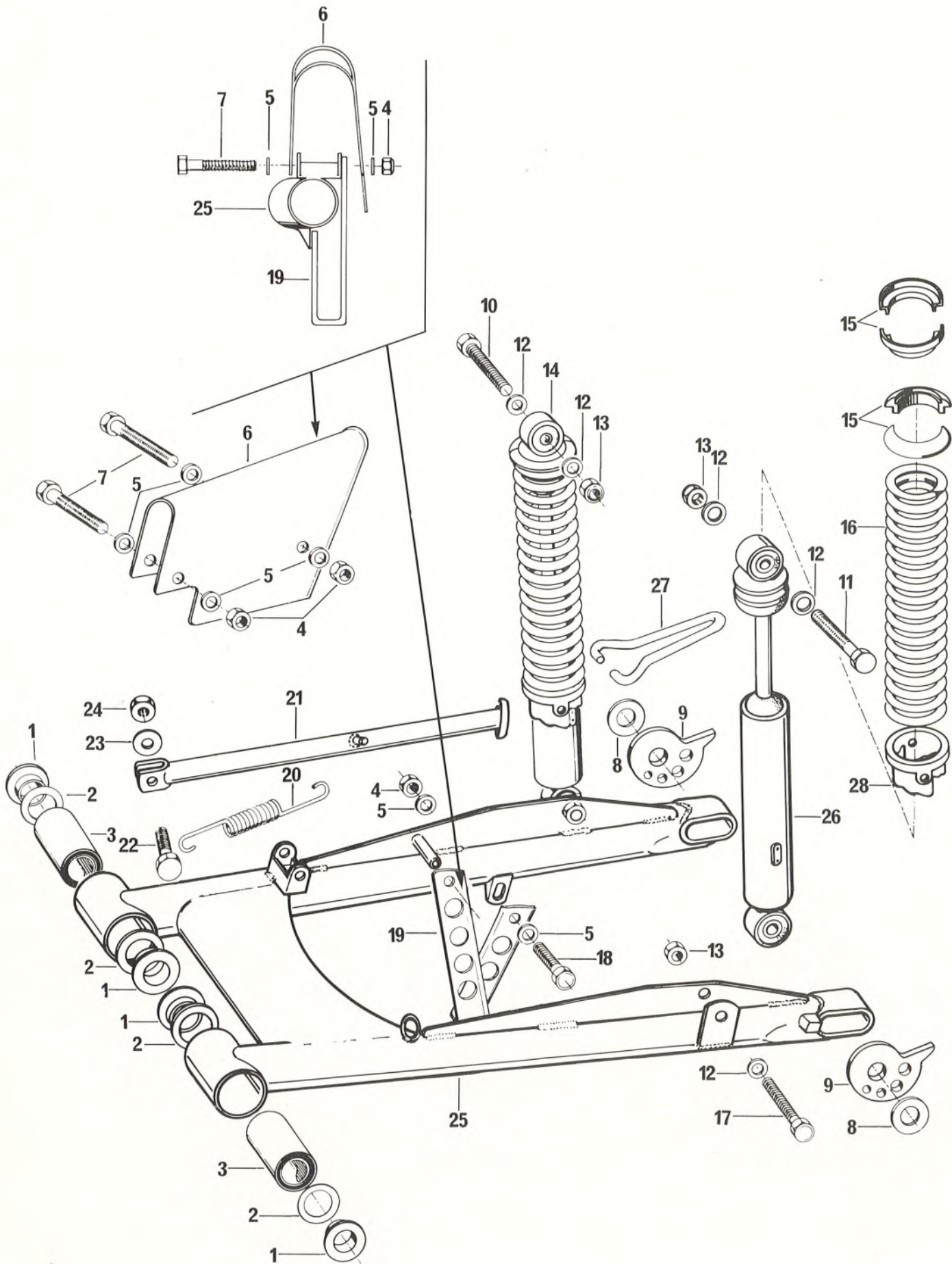
Main Frame



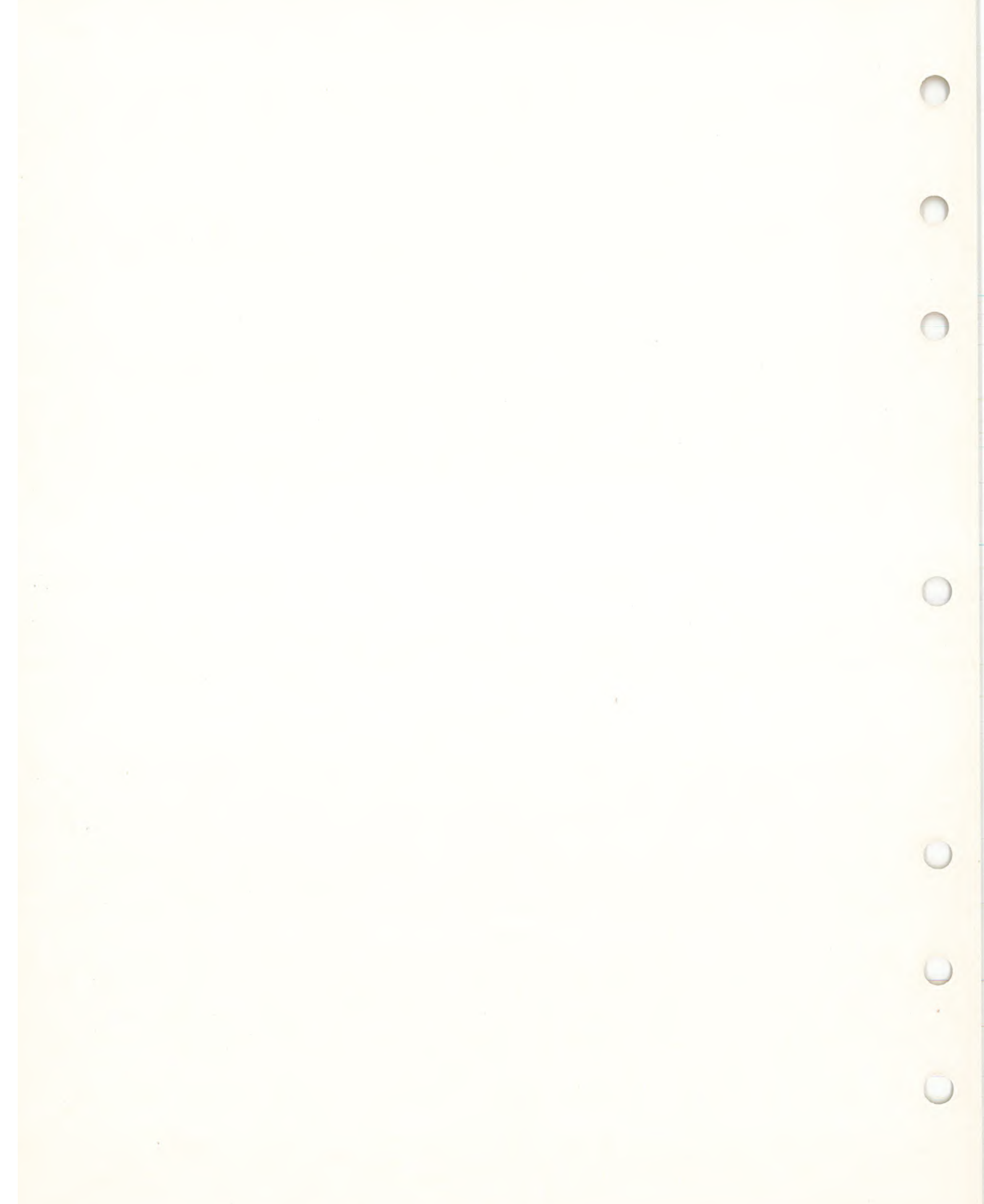
ITEM NO	PART NUMBER	DESCRIPTION	MX-1 250	Flat Rate Time
1 - 16	746 001 005	Frame	1	3.0
2	744 011 000	Washer, Banjo	2	-
3	744 004 000	Oil Outlet Banjo	1	0.1
4	414 1372 00	Oil Line, 290 mm (12 in.)	25 ft roll	0.1
5	744 028 000	Filter	1	0.1
6	414 1372 00	Oil Line, 270 mm (11 in.)	25 ft roll	0.1
7	744 033 000	Gasket, Oil Cap	1	-
8	744 032 000	Oil Tank Cap	1	0.1
9	746 015 000	Cover, Steering Cone	2	0.3
10	732 401 000	O'Ring 1 1/2 X 1 3/4 X 1/8	2	-
11	732 501 002	Shim .024"	2	-
12	732 901 000	Thrust Washer	4	-
13	732 701 000	Thrust Bearing	2	-
14	732 702 000	Needle Bearing	2	-
15	746 010 200	Steering Cone - 2 Degree	2	0.3
	746 010 000	Steering Cone - 0 Degree	opt	D.N.A.
	746 010 100	Steering Cone - 1 Degree	opt	D.N.A.
	746 010 300	Steering Cone - 3 Degree	opt	D.N.A.
16	746 052 000	Steering Cup	2	0.5
17	746 007 000	Bumper, Steering Rubber	2	0.1
18	228 581 015	Nut, Hex. Elastic Stop M8 X 1.25	14	-
19	224 081 170	Lockwasher 8 mm	4	-
20	224 084 515	Screw Hex. Head Cap M8 X 1.25 X 45	2	-
21	222 085 015	Screw, Socket Head Cap, M8 X 1.25 X 50	2	-
22	734 006 001	Front Engine Mount	2	0.1
23	734 005 000	Front Engine Stud	1	0.1
24	746 006 000	Spacer R.H.	1	0.1
25	746 006 001	Spacer L.H.	1	0.1
26	734 004 000	Lower Engine Stud	1	0.1
27	746 012 000	Footrest R.H.	1	0.1
28	746 024 001	Foot Peg R.H.	1	0.1
29	224 081 170	Washer Flat 8 mm X 17 X 2	14	-
30	222 084 015	Screw, Hex. Head Cap M8 X 1.25 X 40	2	-
31	222 084 515	Screw, Hex. Head Cap M8 X 1.25 X 45	4	-
32	746 025 001	Foot Peg L.H.	1	0.1
33	746 011 000	Footrest L.H.	1	0.1
34	746 035 001	Nut, Hex. M16 X 1.50	1	-
35	746 034 001	Washer Flat 17 mm X 28 X 2	2	-
36	746 002 000	Swing Arm Bolt	1	0.2
37	744 005 000	Bolt, Banjo Oil Outlet	1	0.1
38	748 003 000	Rubber Pad	AR	D.N.A.
39		Plastic Electrical Tape	AR	D.N.A.
40	222 961 615	Screw, Socket Head Cap, M8 X 1.00 X 15	2	-
41	224 761 110	Lockwasher 6 mm	2	-



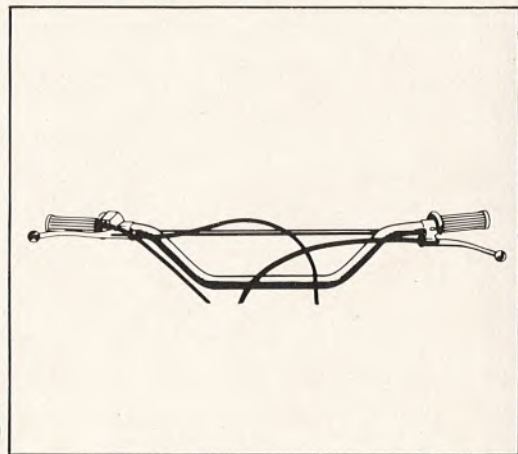
**Swing Arm,
Rear Shocks.**

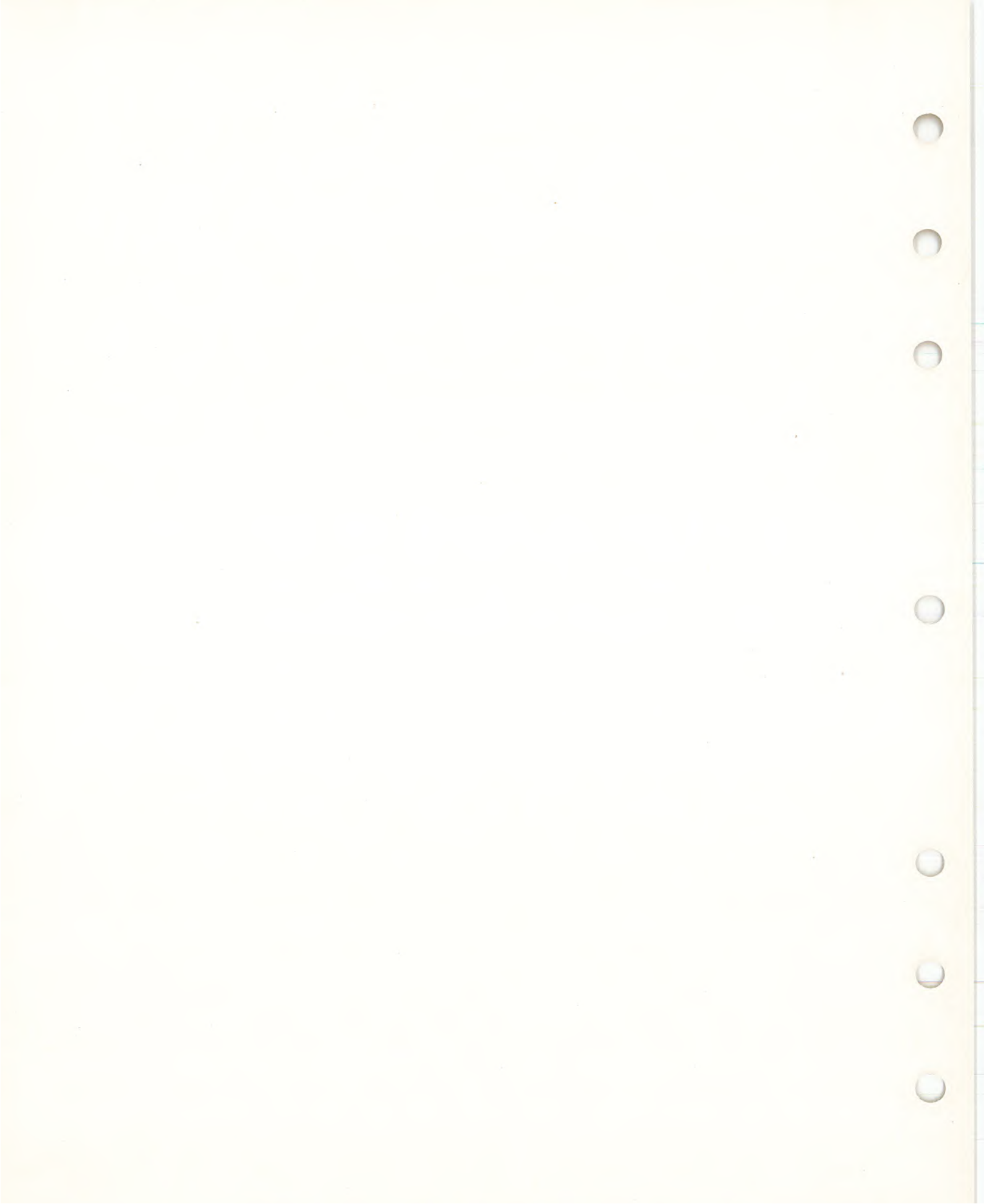


ITEM NO	PART NUMBER	DESCRIPTION	MX-1 250	Flat Rate Time
1	746 004 000	Bushing, Flanged	4	0.4
	746 004 001	Bushing, Flanged	opt	D.N.A.
2	732 501 001	Shim .036 in.	AR	—
	732 501 000	Shim .018 in.	AR	—
3	746 003 001	Bushing, Swing Arm	2	0.7
4	228 561 015	Nut, Hex. Elastic Stop M6 X 1.00	3	—
5	224 061 120	Washer Flat 6 mm X 12 X 1.50	6	—
6	746 040 000	Guard, Chain	1	0.1
7	222 065 015	Screw, Hex. Head Cap M6 X 1.00 X 50	2	—
8	746 034 001	Washer Flat 16 mm X 28 X 2	2	—
9	746 017 000	Adjuster, Cam	2	0.1
10	222 084 015	Screw, Hex. Head Cap M8 X 1.25 X 40	1	—
11	222 085 515	Screw, Hex. head Cap M8 X 1.25 X 55	1	—
12	224 081 170	Washer Flat 8 mm X 17 X 2	6	—
13	228 581 015	Nut, Hex. Elastic Stop M8 X 1.25	4	—
14	742 005 000	Shock Absorber — Girling	opt	D.N.A.
	742 005 002	Shock Absorber — S & W	opt	D.N.A.
	742 005 003	Shock Absorber	2	0.1
15	742 033 000	Collar Spring/Alloy — Girling	opt	D.N.A.
	742 033 001	Collar Spring/Steel — Girling	opt	D.N.A.
	742 033 002	Collar Spring — S & W	4	0.1
16	742 006 001	Spring, Shock Absorber 88 Lbs Color Code: Yellow/White/Yellow	opt	D.N.A.
	742 006 003	Spring, Shock Absorber 55 Lbs noColor Code	opt	D.N.A.
	742 006 004	Spring, Shock Absorber 65 Lbs Color Code: Yellow	opt	D.N.A.
	742 006 005	Spring, Shock Absorber 45/70 Lbs Color Code: Yellow/Yellow	opt	D.N.A.
	742 006 006	Spring, Shock Absorber 60/90 Lbs Color Code: White	opt	D.N.A.
	746 006 007	Spring, Shock Absorber 82 Lbs Color Code: White/White	2	0.1
17	222 083 515	Screw, Hex. Head Cap M8 X 1.25 X 35	2	—
18	222 061 615	Screw, Hex. Head Cap M6 X 1.00 X 16	1	—
19	746 038 001	Guide, Chain	1	0.1
20	732 301 000	Spring, Side Stand	1	—
21	746 021 002	Side Stand	1	0.1
22	222 003 515	Screw, Hex. Head Cap M10 X 1.50 X 35	1	—
23	224 001 210	Washer Flat 10 mm X 21 X 2.50	1	—
24	228 501 015	Nut, Hex. Elastic Stop M10 X 1.50	1	—
25	746 066 002	Swing Arm	1	0.5
26	742 007 003	Damper/S & W	1	0.1
27	748 033 000	Cam Adjuster Tool, S & W Shock Absorber	opt	D.N.A.
28	742 043 000	Adjuster Ring	1	D.N.A.

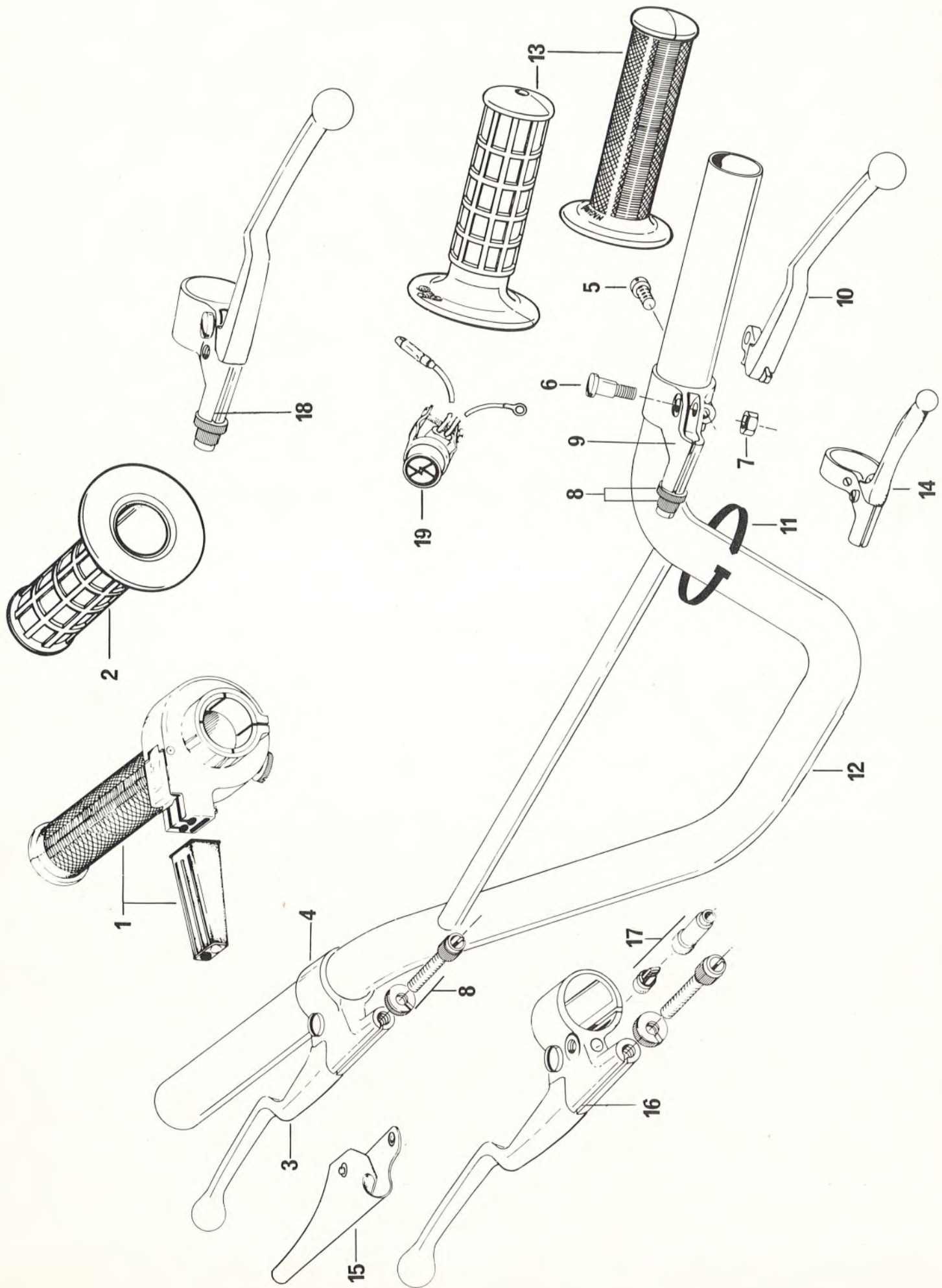


CONTROLS





Handlebar MX.



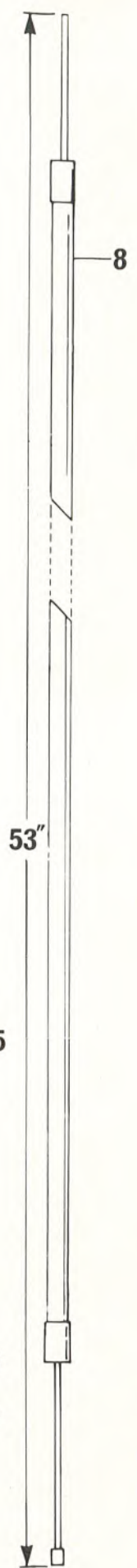
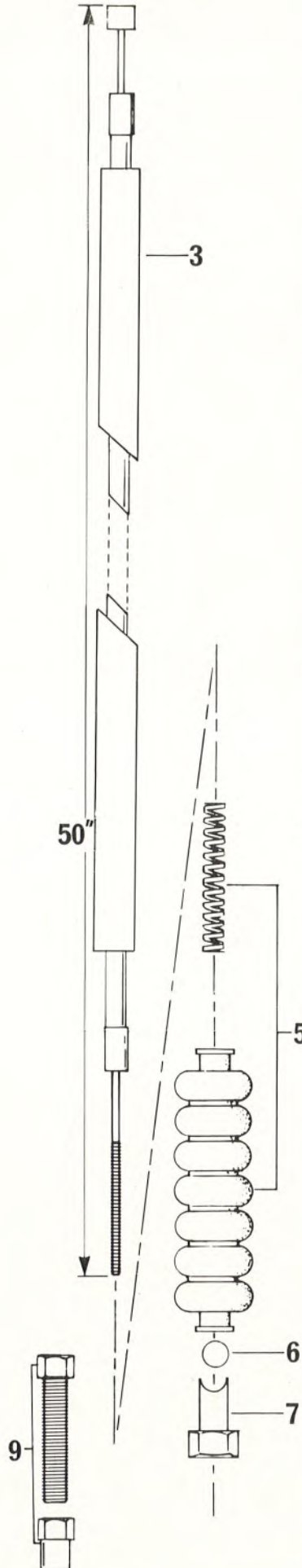
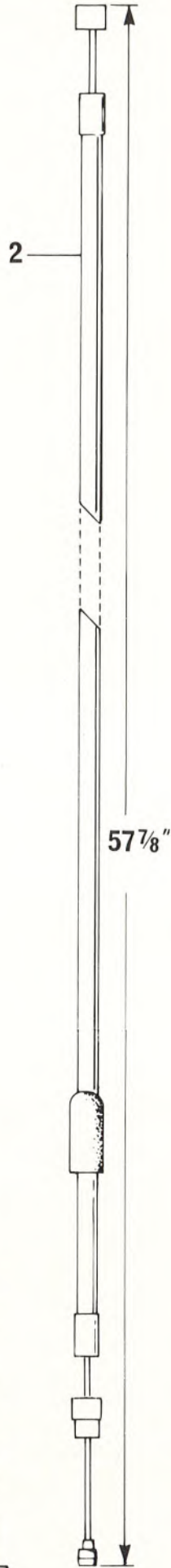
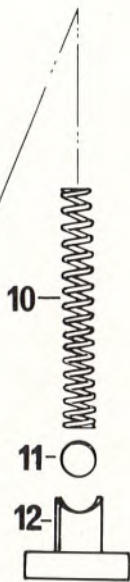
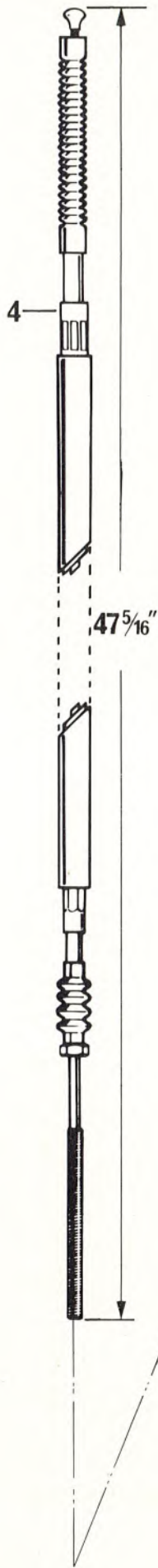
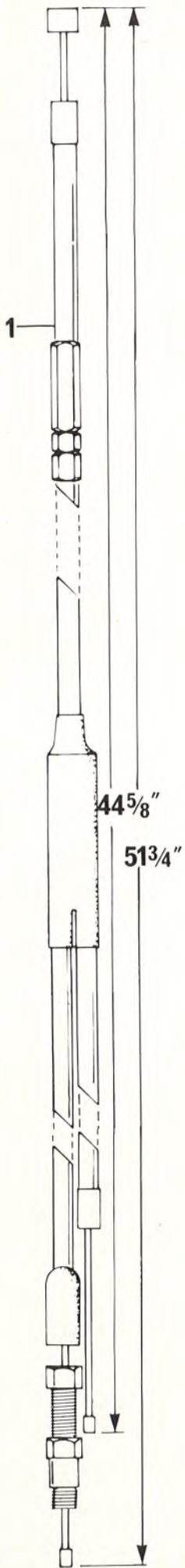
HANDLEBAR ASS'Y

1975

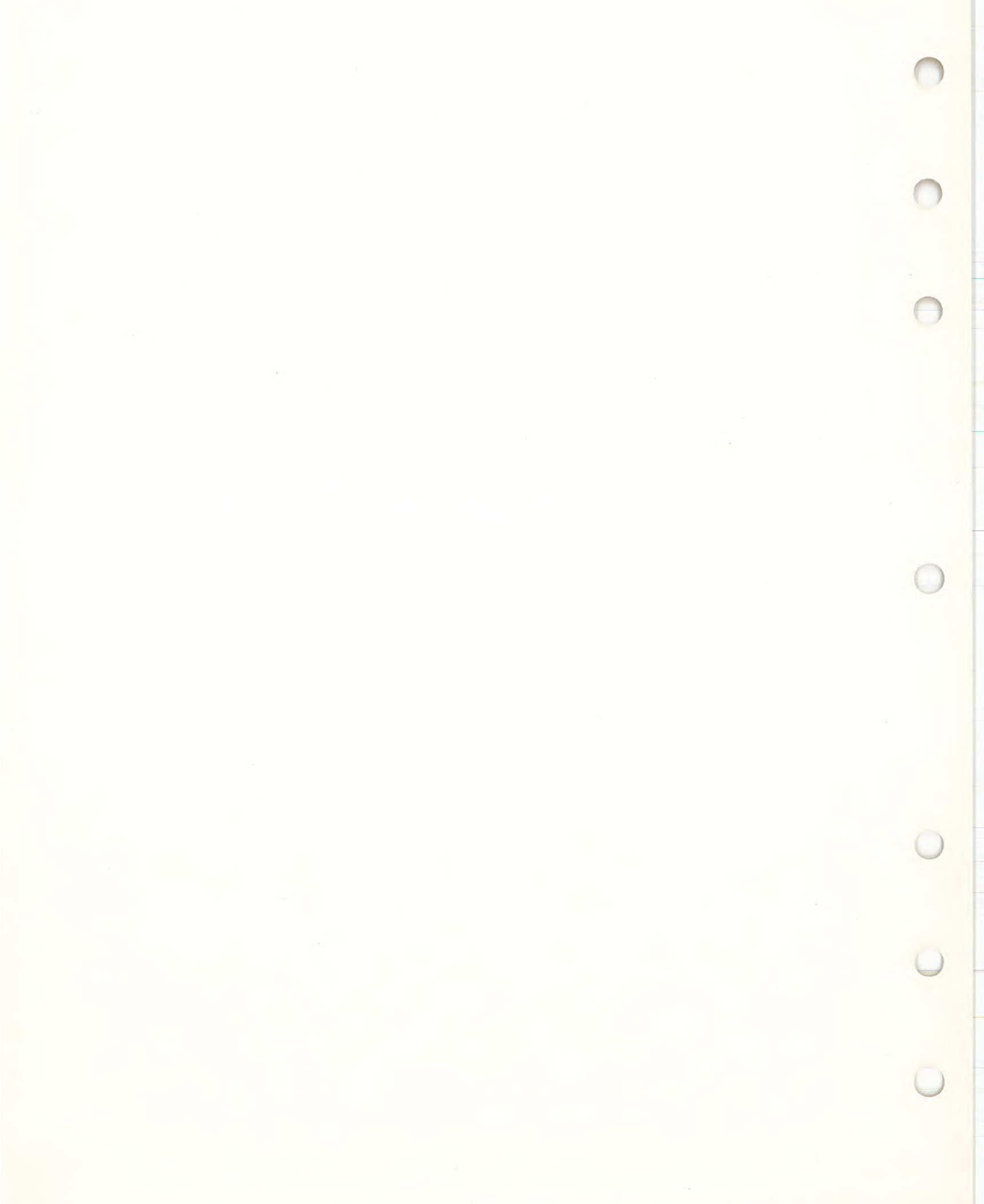
ITEM NO	PART NUMBER	DESCRIPTION	MX-1 250	Flat Rate Time
1	738 018 001	Throttle Ass'y (Use Throttle Cable 741 004 001)	1	0.3
2	737 004 001	Grip, Rubber Right, G.P. (Surgical Rubber)	opt	D.N.A.
3 to 8	737 002 004	Power Lever, Brake Assembly Magura	1	0.1
3	737 007 002	Power Lever Only, Brake Magura	1	0.1
5	737 011 000	Screw, Clamp Brake And Clutch Magura	1	0.1
6	737 010 001	Bolt, Pivot Clutch And Brake Magura	1	0.1
7	228 561 015	Nut Hex. Elastic Stop M6 X 1.00	1	—
8	741 005 001	Screw Cable Adjuster, Clutch And Brake	2	0.1
5 to 10	737 003 004	Power Lever, Clutch Assembly Magura	1	0.1
10	737 008 002	Power Lever Only, Clutch Magura	1	0.1
11	748 001 000	Tie Rap 8"	4	—
12	737 006 002	Handlebar Chromed	1	0.3
	737 006 004	Handlebar Black, G.P. (V-Brace)	opt	D.N.A.
13	737 005 001	Grip, Rubber Left Magura	1	0.1
	737 005 002	Grip, Rubber Left, G.P. (Surgical Rubber)	opt	D.N.A.
14	737 012 000	Lever, Choke or Compression (Used With Cable 741 008 000)	opt	D.N.A.
15	737 013 000	Cover, Lever Magura	opt	D.N.A.
3 - 5 - to 8	737 002 002	Power Lever, Brake Assembly Magura (With Hole For Mirror)	opt	D.N.A.
16 - 17		" " " " " "		
17	738 021 001	Switch, Light Front Brake Magura	opt	D.N.A.
5 to 8 10 - 18	737 003 002	Power Lever, Clutch Assembly Magura (With Hole For Mirror)		
19	738 066 000	Kill Switch	1	0.2



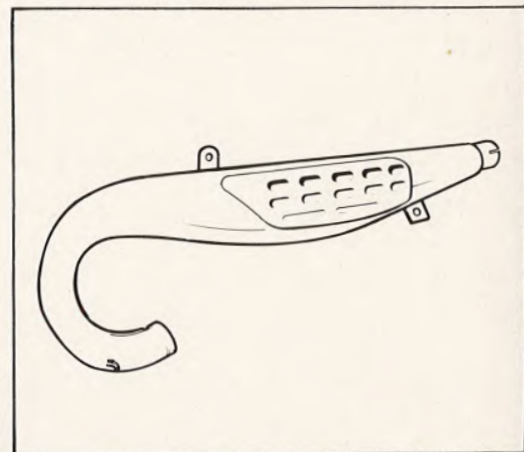
Cables



ITEM NO	PART NUMBER	DESCRIPTION	MX-1 250	Flat Rate Time
1	741 004 003	Cable, Throttle Magura to Bing (Must be Used With Throttle # 737 018 001)	1	0.3
2	741 003 000	Cable Clutch	1	0.2
3	741 002 002	Cable, Brake	1	0.1
4	741 002 001	Cable, Brake Rear	1	0.2
5	741 011 000	Spring And Boot Ass'y, Front Brake	1	0.1
6	741 009 000	Barrel, Front Brake Cable	1	0.1
7	741 010 000	Screw, Adjuster, Front Brake	1	—
8	741 008 000	Cable, Choke or Compression (to be Used With Lever # 737 012 000)	opt	D.N.A.
9	741 005 002	Adjuster, Oil Pump Cable	1	0.1
10	732 309 000	Spring	1	0.1
11	746 032 000	Barrel	1	0.1
12	746 033 000	Adjuster Nut	1	0.1



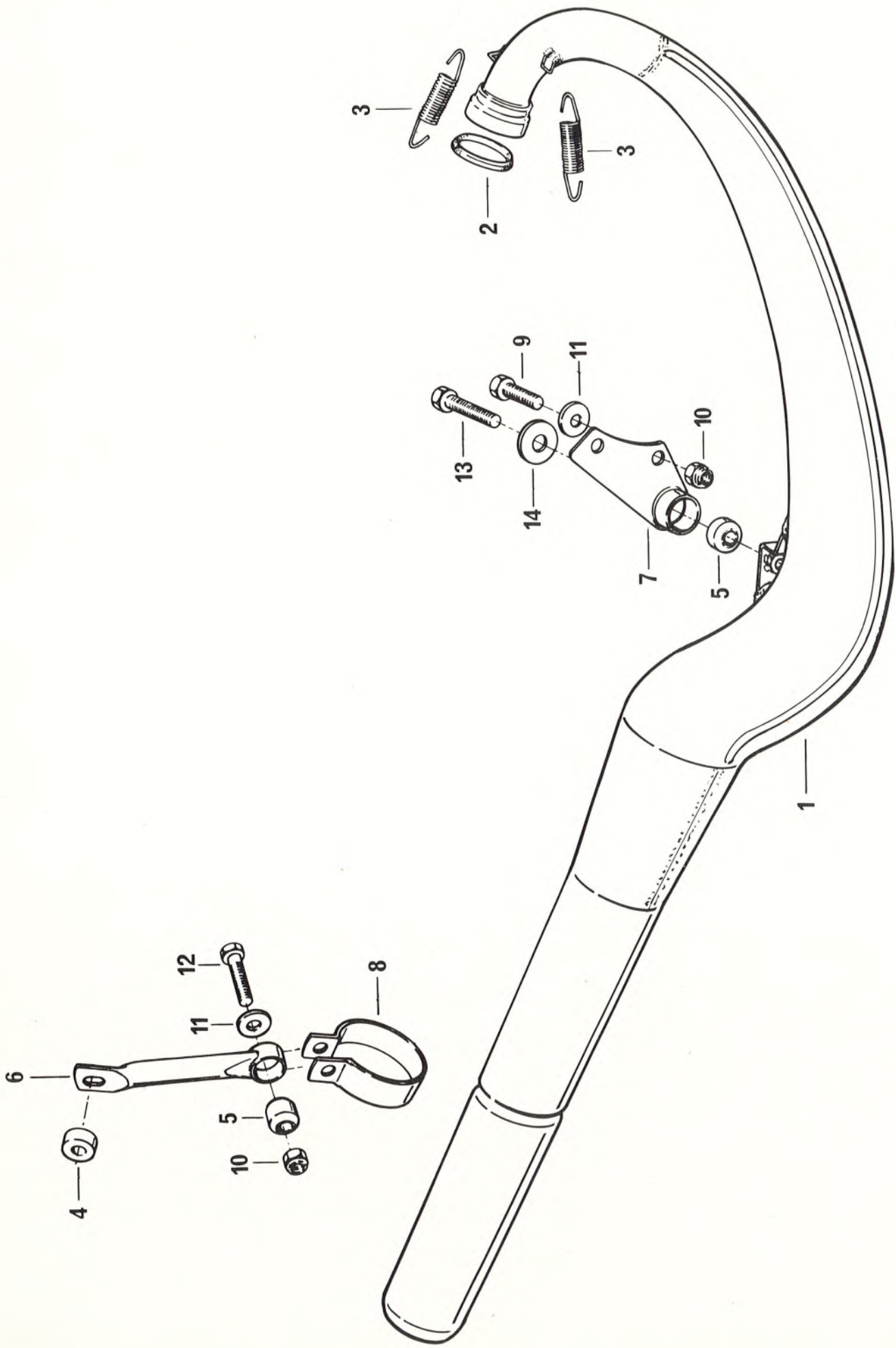
EXHAUST SYSTEM





Exhaust Pipe

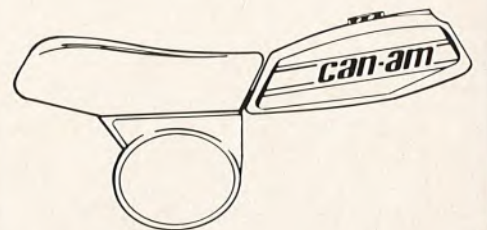
Muffler

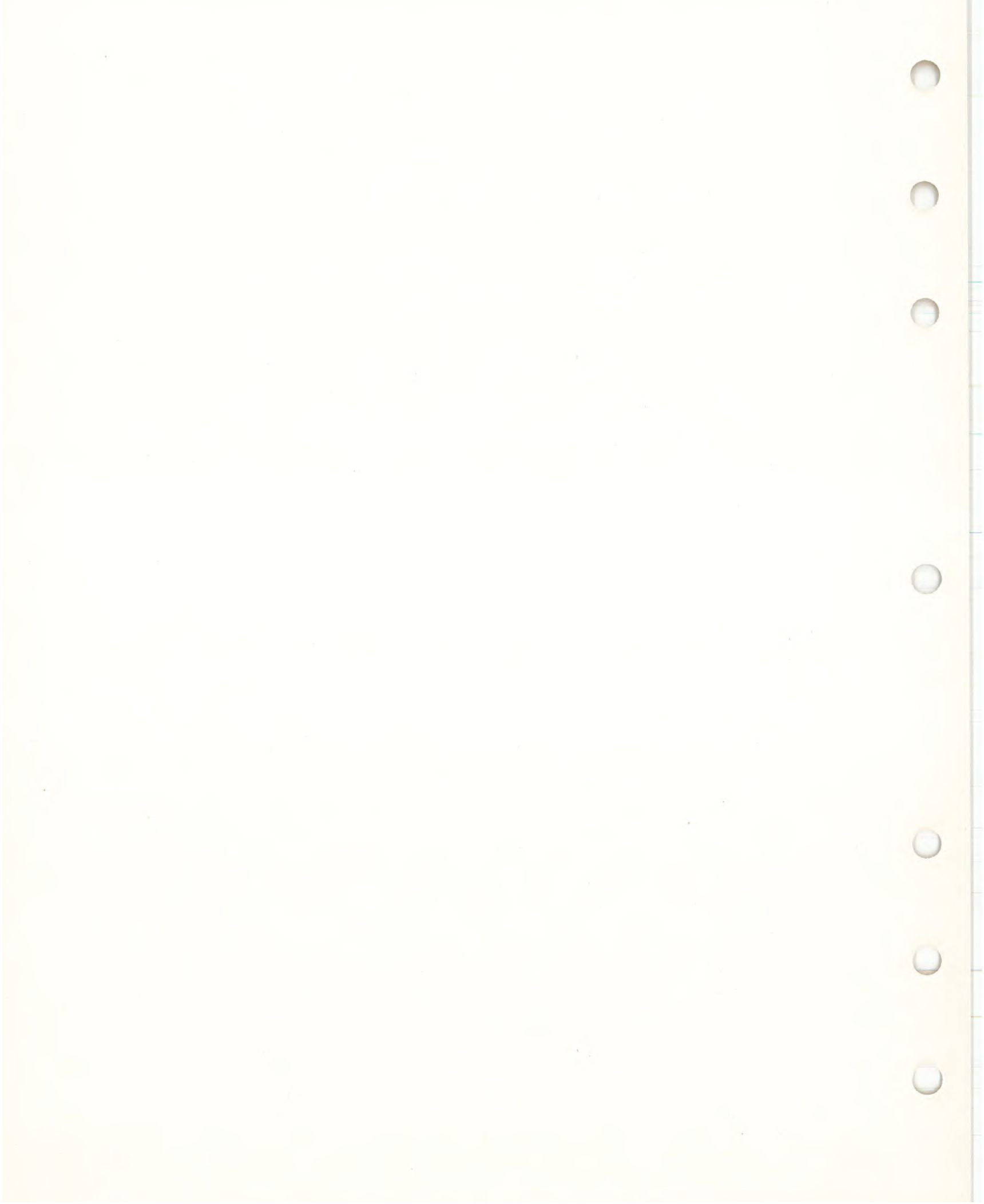


ITEM NO	PART NUMBER	DESCRIPTION	MX-1 250	Flat Rate Time
1	745 002 006	Exhaust Pipe	1	0.4
2	745 006 002	Packing	1	0.3
3	732 307 001	Spring, Exhaust Pipe	2	0.1
4	746 077 001	Spacer (Exhaust Pipe Mount Rear)	1	0.1
5	748 032 000	Center Bounded Mount	2	0.2
6	746 092 000	Exhaust Pipe Mount Rear	1	0.1
7	746 093 000	Exhaust Pipe Mount Front	1	0.1
8	745 011 002	Clamp	1	0.1
9	222 082 015	Screw Hex. Head Cap M8 X 1.25 X 20	2	—
10	228 581 015	Nut Hex. Head Cap M8 X 1.25	2	—
11	224 081 170	Washer Flat 8 mm X 17 X 2	3	—
12	222 084 015	Screw Hex. Head Cap M8 X 1.25 X 40	1	—
13	222 083 515	Screw Hex. Head Cap M8 X 1.25 X 35	1	—
14	224 080 250	Washer Flat 8 mm X 25	1	—

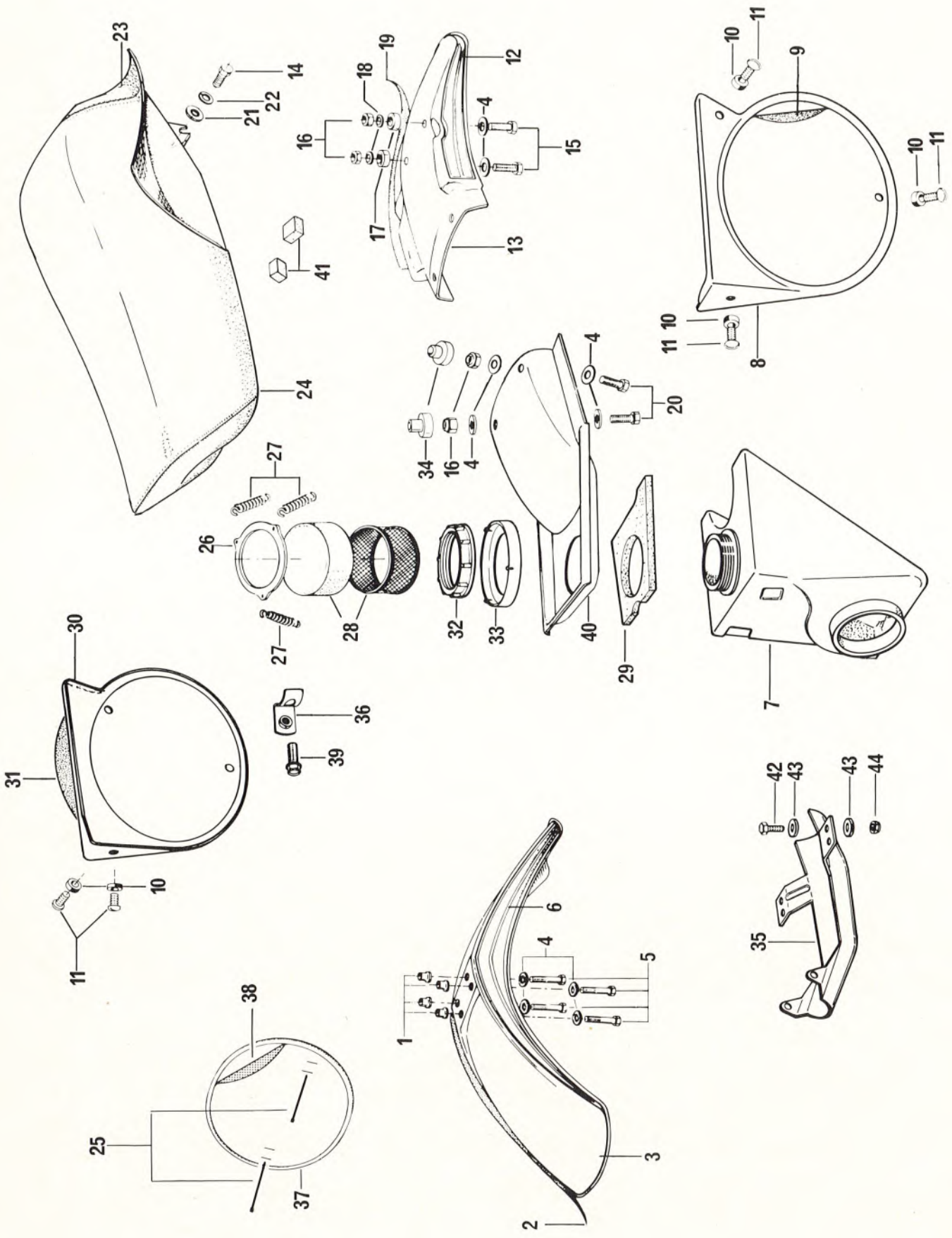


BODY





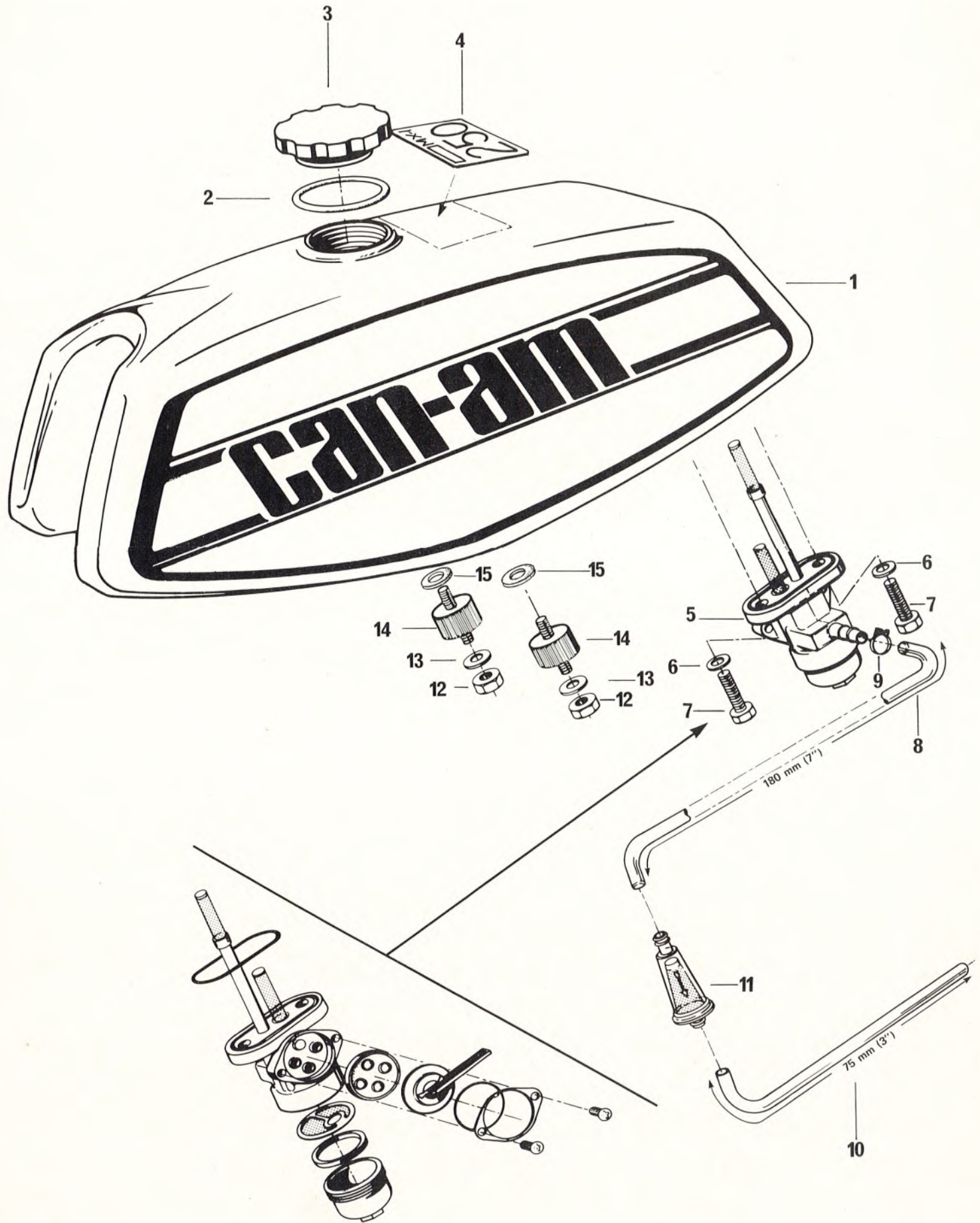
Body Parts



ITEM NO	PART NUMBER	DESCRIPTION	MX-1 250	Flat Rate Time
1	744 002 000	Spacer, Front Fender	4	0.1
2	744 026 002	Decal R.H. Front Fender	1	0.1
3	744 025 001	Front Fender	1	0.2
4	224 060 200	Washer, Flat 6 mm X 20 X 14	10	-
5	222 063 515	Screw, Hex. Head Cap M6 X 1.00 X 35	4	-
6	744 026 003	Decal L.H. Front Fender	1	0.1
7	740 006 004	Air Box	1	0.5
8	744 023 002	Side Panel L.H. (Without White Decal)	1	0.1
9	744 053 001	Decal Side Panel White	1	0.1
10	748 016 000	Rubber Washer	6	-
11	223 861 615	Screw Mach. Slotted Head M6 X 1.00 X 16	6	-
12	744 018 005	Decal L.H. Rear Fender	1	0.1
13	744 017 002	Rear Fender	1	0.3
14	222 061 615	Screw Hex. Head Cap M6 X 1.00 X 16	2	-
15	222 062 515	Screw Hex. Head Cap M6 X 1.00 X 25	2	-
16	228 561 015	Nut Hex. Elastic Stop M6 X 1.00	4	-
17	744 027 000	Spacer, Rear Fender	2	-
18	224 061 120	Washer Flat 6 mm X 12 X 1.5	2	-
19	744 018 004	Decal R.H. Rear Fender	1	0.1
20	222 081 615	Screw, Hex. Head Cap M8 X 1.25 X 16	2	-
21	224 081 170	Washer 8 mm X 17 X 2	2	-
22	224 781 140	Lockwasher 8 mm	2	-
23	744 014 001	Cover Seat	1	0.3
24	744 013 001	Seat Assembly	1	0.1
25	748 001 000	Tie Rap 8"	2	-
26	740 010 000	Retainer - Air Filter	1	0.3
27	732 302 000	Spring, Air Filter	3	-
28	740 007 000	Air Filter Assembly	1	0.1
29	744 048 001	Protector Foam (Air Box Top)	1	0.2
30	744 022 002	Side Panel R.H. (Without White Decal)	1	0.1
31	744 053 001	Decal Side Panel White	2	0.1
32	740 017 000	Plastic Nut	1	0.1
33	740 018 000	Pan (Air Filter)	1	0.1
34	570 1321 00	Grommet (Seat)	2	-
35	744 051 001	Skid Plate	1	0.2
36	744 055 000	Side Panel Mount Rear	3	0.1
37	744 003 001	Number Plate	1	0.1
38	744 053 000	Decal Number Plate	1	0.1
39	732 600 000	Screw (Battery Box)	2	-
40	744 046 000	Splash Pan	1	0.3
41	744 048 000	Protector Foam (Seat)	2	-
42	222 081 615	Screw Hex. Cap M8 X 1.25 X 16	2	-
43	224 081 170	Washer Flat 8 mm X 17 X 2	4	-
44	228 581 015	Nut Hex. Elast Stop M8 X 1.25	2	-



Fuel Tank

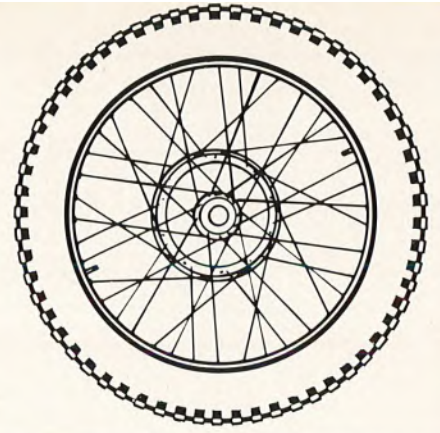


FUEL TANK

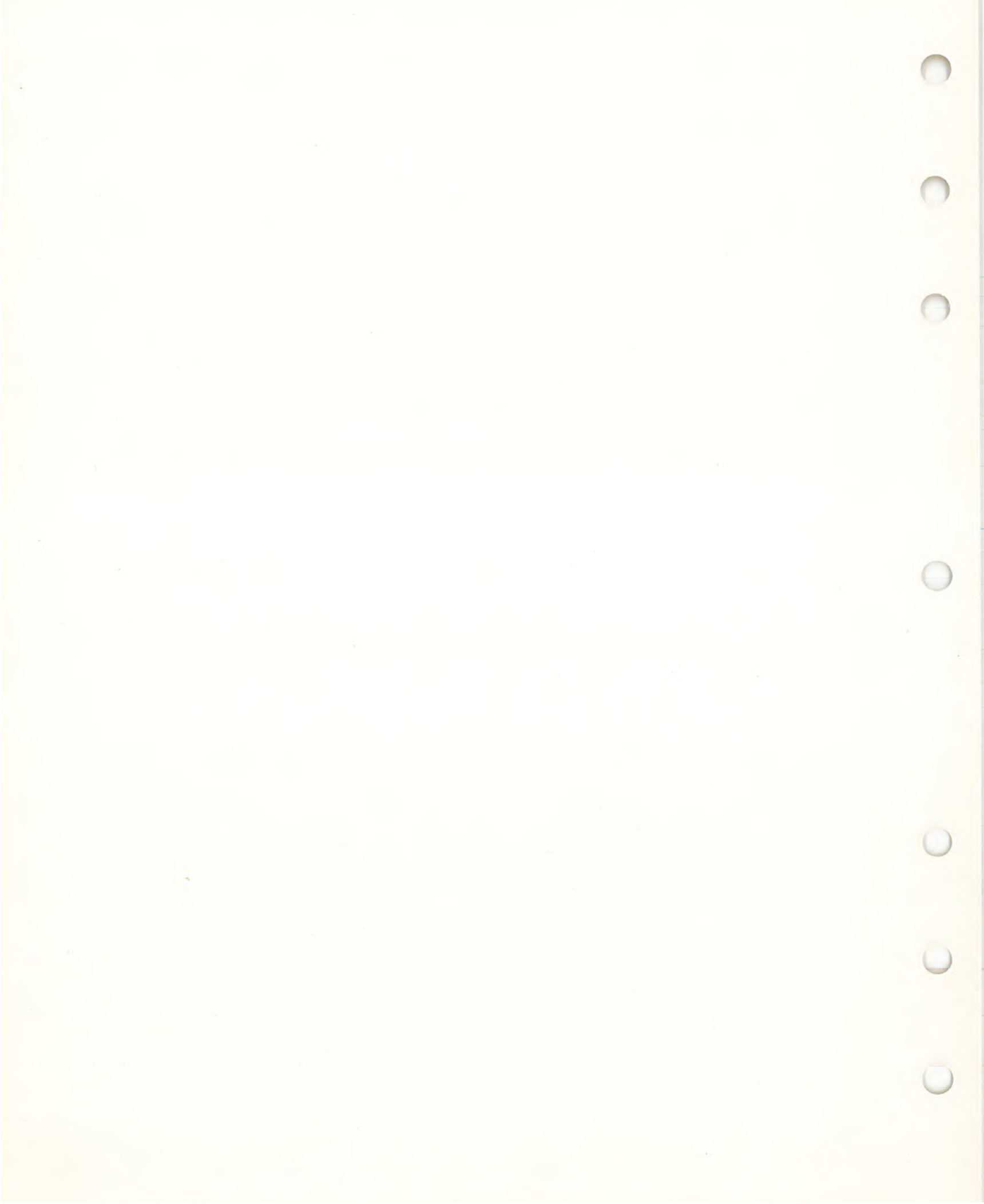
1975

ITEM NO	PART NUMBER	DESCRIPTION	MX-1 250	Flat Rate Time
1 to 3	744 019 002	Fuel Tank Sild Screened (Small)	1	0.2
2	732 401 001	O'Ring (Tank Cap)	1	-
3	744 010 001	Fuel Tank Cap	1	0.1
4	744 006 009	Label - Model And Size	1	0.1
5	744 021 000	Fuel Valve	1	0.1
6	399 9061 00	Fiber Washer 9/32 X 1/2 X 1/16	2	-
7	303 9003 00	Screw 1/4" - 20 NC X 3/4 L.G.	2	-
8	414 1372 00	Fuel Line, 75 mm (3 in.)	25 ft roll	0.1
9	408 8013 00	Hose Clamp	1	-
10	414 1372 00	Fuel Line, 180 mm (7 in.)	25 ft roll	0.1
11	744 028 000	Filter, Fuel	1	0.1
12	387 0019 00	Nut 1/4" - 20 NC Elastic Stop	2	-
13	224 060 200	Washer Flat 6 mm X 20 X 1	2	-
14	748 004 001	Rubber Mount	2	0.1
15	570 1230 00	Rubber Spacer	AR	-

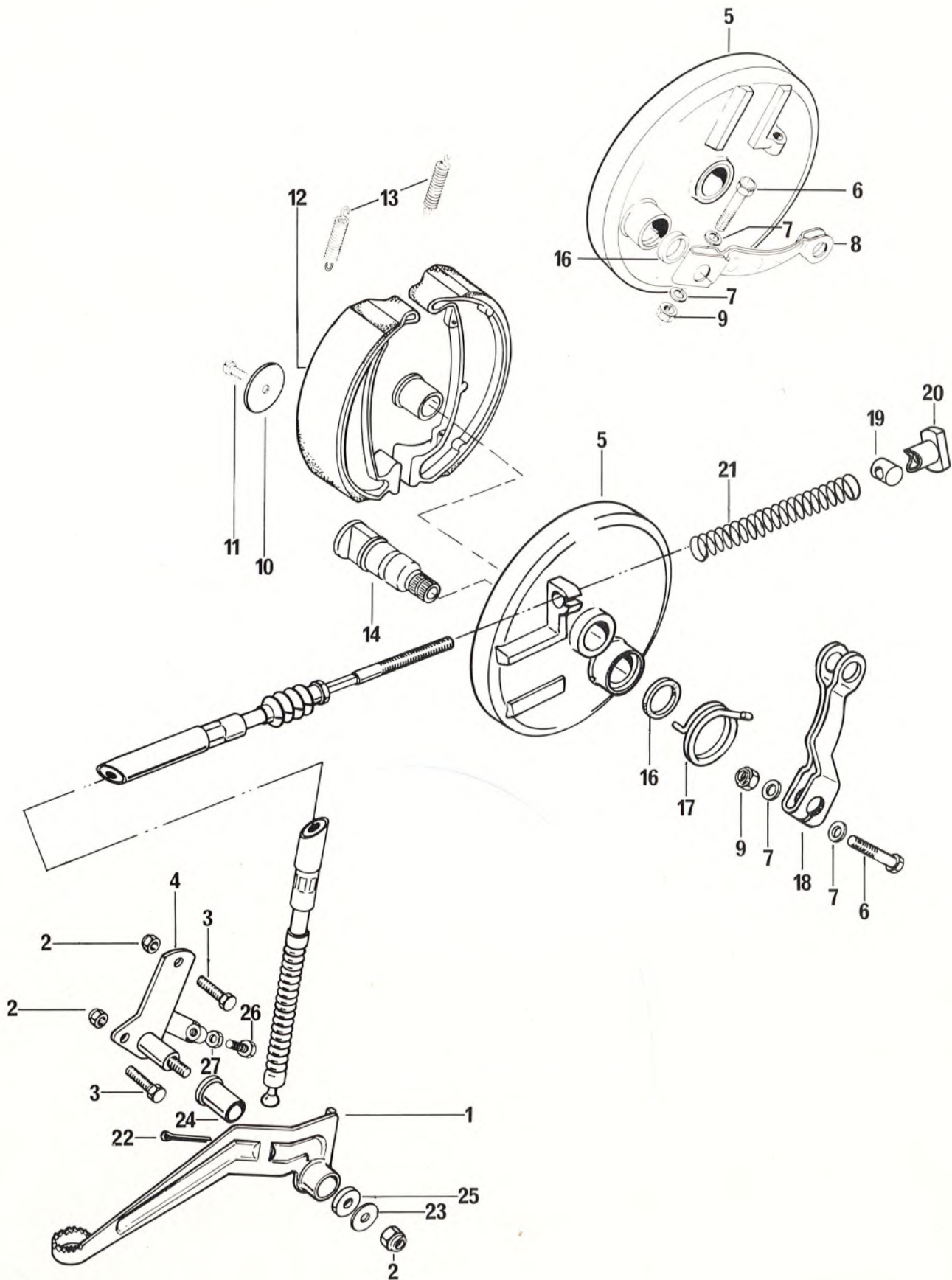




WHEELS



Brake System

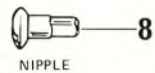
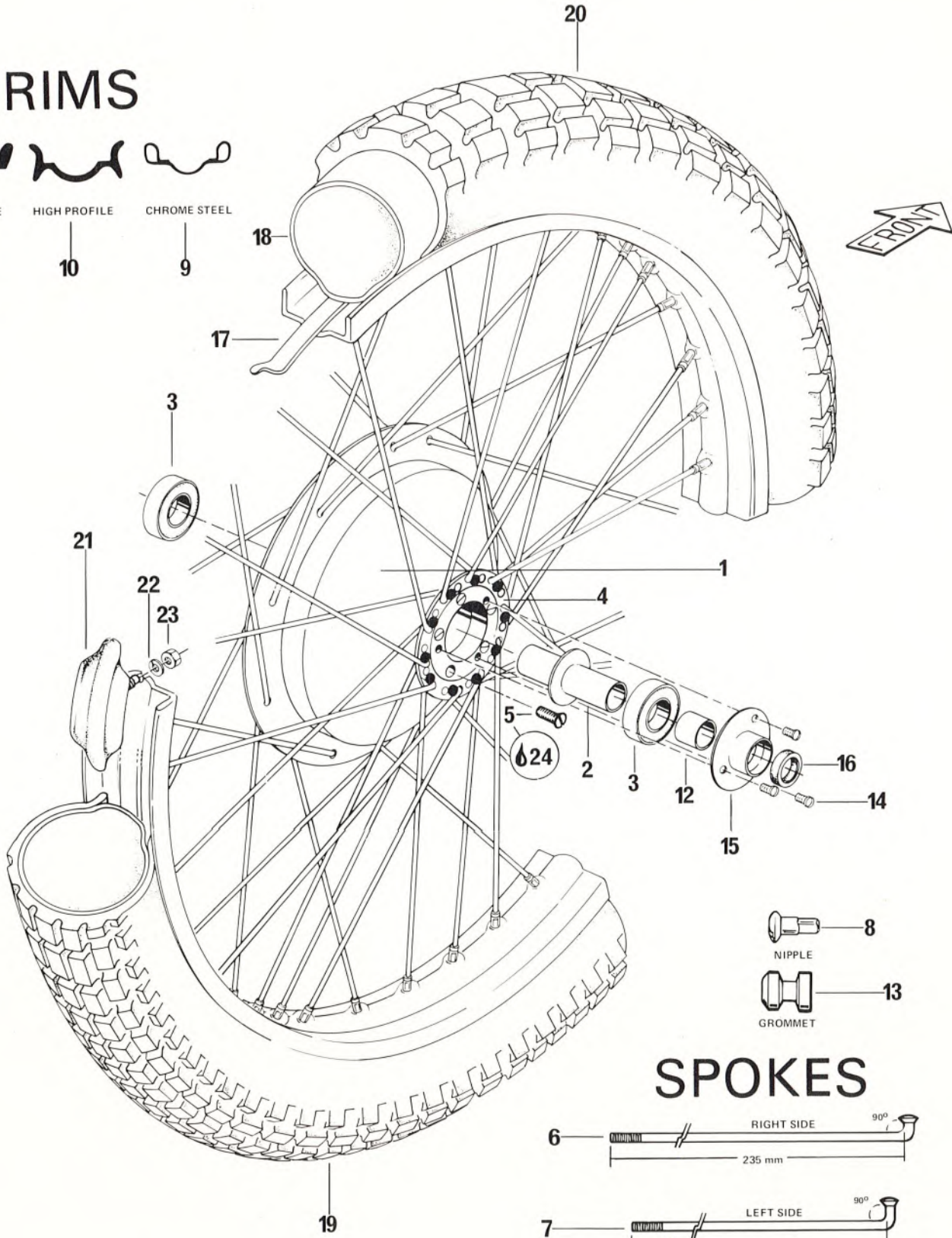
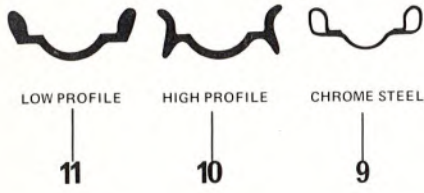


ITEM NO	PART NUMBER	DESCRIPTION	MX-1 250	Flat Rate Time
1	746 039 002	Brake Pedal	1	0.2
2	228 581 015	Nut, Hex. Elastic Stop M8 X 1.25	4	—
3	222 082 015	Screw Hex Cap Head M8 X 1.25 X 20	2	—
4	746 018 001	Pivot Mount R.H.	1	0.2
5	743 029 002	Backing Plate, Front	1	0.3
6	222 063 515	Screw, Hex. Head Cap M6 X 1.00 X 35	2	—
7	224 061 120	Washer Flat 6 mm X 12 X 1.5	4	—
8	743 039 001	Brake Arm, Front	1	0.1
9	228 561 015	Nut, Hex. Elastic Stop M6 X 1.00	2	—
10	743 026 000	Washer, Brake Shoe, Retaining	2	—
11	222 551 015	Screw, Slotted Pan Head M5 X 0.80 X 10	2	—
12	743 032 000	Brake Shoe	4	0.2
13	732 303 001	Spring, Brake Shoe	4	0.2
14	743 033 000	Cam	2	0.3
15	743 030 002	Backing Plate Rear	1	0.3
16	732 106 000	Felt Seal	2	0.2
17	732 304 001	Spring, Brake Arm Rear	1	0.2
18	743 038 001	Brake Arm, Rear	1	0.2
19	746 032 000	Barrel, Brake Rod	1	0.1
20	746 033 000	Adjuster Nut, Brake Rod	1	0.1
21	732 309 000	Spring (Brake Cable)	1	—
22	371 8007 00	Cotter Pin	1	1
23	224 080 250	Washer Flat 8 mm X 1.25 X 25	1	—
24	746 020 002	Nylon Bushing	1	—
25	746 089 000	Nylon Ring	1	—
26	222 062 015	Screw (Stop Adjuster)	1	—
27	228 061 015	Nut, Hex. M6 X 1.00	1	—
28	747 020 000	Loctite	AR	—

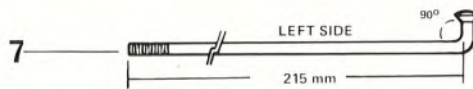
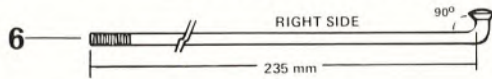


**Wheels,
Front.
and Rear**

RIMS



SPOKES



FRONT WHEEL

1975

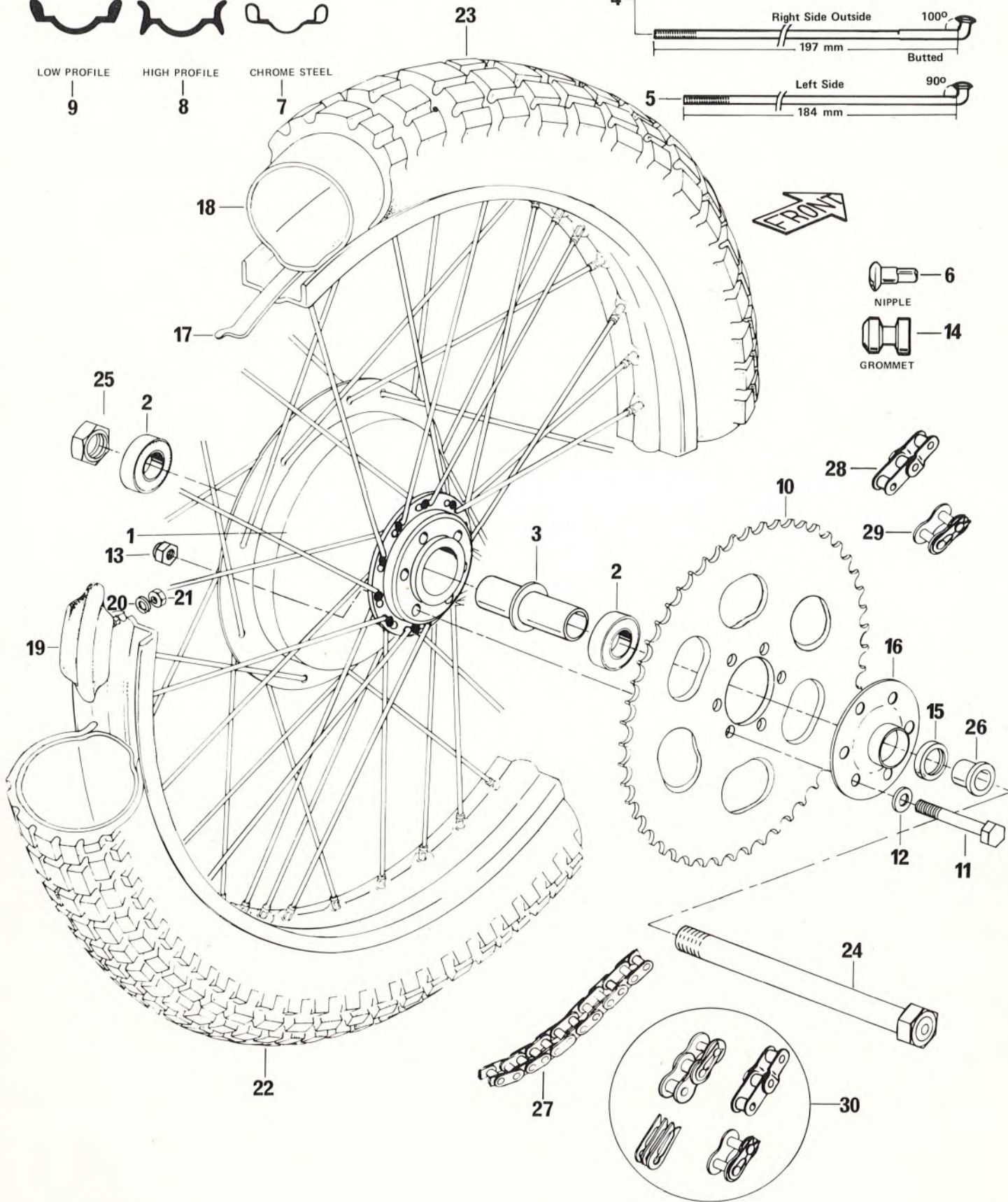
ITEM NO	PART NUMBER	DESCRIPTION	MX-1 250	Flat Rate Time
1 to 9	743 050 001	Front Wheel Ass'y (With Chrome Steel Rim)	1	D.N.A.
1	743 019 000	Front Hub	1	1.6
2	743 025 000	Spacer, Bearing	1	0.6
3	732 705 000	Bearing # 6302 RS	2	0.6
4	743 027 001	Flange, Spoke	1	1.0
5	223 061 215	Screw, Flat Head (Small Hd.) M6 X 1.00 X 12	5	—
6	743 012 002	Spoke R.H.	20	—
7	743 012 003	Spoke L.H.	20	—
8	743 014 000	Nipple	40	—
9	743 015 000	Rim (Chrome Steel)	opt	D.N.A.
10	743 015 001	Rim (Alloy High Profile, Akront)	1	1.6
	743 015 002	Rim (Alloy High Profile)	opt	D.N.A.
11	743 015 003	Rim (Alloy Low Profile)	opt	D.N.A.
12	746 008 000	Spacer R.H.	1	0.2
13	748 029 000	Grommet, Spoke Flange	10	—
14	222 530 515	Screw, Pan Head M3 X 0.50 X 5	3	—
15	743 013 001	Seal Holder	1	0.2
16	732 101 000	Seal	1	—
17	743 022 000	Rim Liner	1	0.3
18	743 010 000	Tube	1	0.3
19	743 007 000	Tire, Trials Universal 300-21	opt	D.N.A.
20	743 007 001	Tire Front Knobby Trelleborg 300-21/4-544 (4 Ply)	opt	D.N.A.
	743 007 002	Tire Front Knobby Yokohama 300-21/Y-611 (4 Ply)	1	D.N.A.
	743 007 004	Tire Front Knobby Trelleborg 300-21 (2 Ply)	opt	D.N.A.
	743 007 005	Tire Front Knobby Cheng Shin 300-21 (2 Ply)	opt	D.N.A.
21	743 052 002	Rim Lock # WM1	1	0.3
22	224 781 140	Lockwasher 8 mm	1	—
23	228 081 015	Nut Hex. M8 X 1.25	1	—
24	747 020 000	Loctite 271	AR	D.N.A.

SPOKES

RIMS



9 8 7



LOW PROFILE

HIGH PROFILE

CHROME STEEL

Right Side Inside

90°

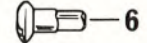
4

Right Side Outside

100°

Left Side

90°



6

NIPPLE



14

GROMMET



FRONT

REAR WHEEL

1975

ITEM NO	PART NUMBER	DESCRIPTION	MX-1 250	Flat Rate Time
1 to 7	743 049 001	Rear Wheel Ass'y (With Chrome Steel Rim)	1	D.N.A.
1	743 040 002	Rear Hub	1	2.0
2	732 706 000	Bearing # 6303 RS	2	0.6
3	743 025 001	Spacer, Bearing	1	0.6
4	743 012 005	Spoke R.H. Outside	10	-
	743 012 008	Spoke R.H. Outside (Heavy Duty)	opt	D.N.A.
	743 012 006	Spoke R.H. Inside	10	-
	743 012 009	Spoke R.H. Inside (Heavy Duty)	opt	D.N.A.
5	743 012 001	Spoke L.H.	20	D.N.A.
	743 012 007	Spoke L.H. Outside	opt	D.N.A.
6	743 014 000	Nipple	40	D.N.A.
7	743 016 000	Rim (Chrome Steel)	1 opt	2.0 D.N.A.
8	743 016 001	Rim (Alloy High Profile Akront)	1	16
	743 016 002	Rim (Alloy High Profile)	opt	D.N.A.
9	743 016 003	Rim (Alloy Low Profile)	opt	D.N.A.
10	743 043 021	Sprocket 38 T	opt	D.N.A.
	743 043 020	Sprocket 40 T	opt	D.N.A.
	743 043 010	Sprocket 42 T	opt	D.N.A.
	743 043 011	Sprocket 44 T	opt	D.N.A.
	743 043 012	Sprocket 46 T	opt	D.N.A.
	743 043 022	Sprocket 47 T	1	0.6
	743 043 013	Sprocket 48 T	opt	D.N.A.
	743 043 014	Sprocket 50 T	opt	D.N.A.
	743 043 015	Sprocket 52 T	opt	D.N.A.
	743 043 016	Sprocket 54 T	opt	D.N.A.
	743 043 017	Sprocket 56 T	opt	D.N.A.
	743 043 018	Sprocket 58 T	opt	D.N.A.
	743 043 019	Sprocket 60 T	opt	D.N.A.
11	222 084 515	Screw, Hex. Head Cap M8 X 1.25 X 45	6	-
12	224 081 170	Washer Flat 8 mm X 17 X 2	12	-
13	228 581 015	Nut, Hex. Elastic Stop M8 X 1.25	6	-
14	748 029 000	Grommet, Spoke Flange	10	-
15	732 102 000	Seal 25 X 38 X 7	1	-
16	743 037 000	Cover	1	0.6
17	743 021 000	Rim Liner	1	0.3
18	743 011 000	Tube	1	0.3
19 - 21	743 052 004	Rim Lock # WM2	1	0.3
	743 052 003	Rim Lock # WM3 (to be Used With Oversize Tires Or Rims)	opt	D.N.A.
20	224 781 140	Lockwasher 8 mm	1	-
21	228 081 015	Nut Hex. M8 X 1.25	1	-
22	743 006 000	Tire, Trials Universal 400-18	-	0.3
23	743 006 002	Tire Rear Knobby Yokohama 400-18/Y612 (4 Ply)	1	0.3
	743 006 001	Tire Rear Knobby Trelleborg 400-18/4-544 (4 Ply)	opt	D.N.A.
	743 006 004	Tire Rear Knobby Trelleborg 400-18 (2 Ply)	opt	D.N.A.
	743 006 005	Tire Rear Knobby Cheng Shin 400-18 (2 Ply)	1	0.2
24	743 004 000	Rear Axle	1	0.2
25	746 035 001	Nut Hex. M16 X 1.50	1	-
26	746 016 000	Spacer R.H.	1	-

SPOKES

RIMS



LOW PROFILE

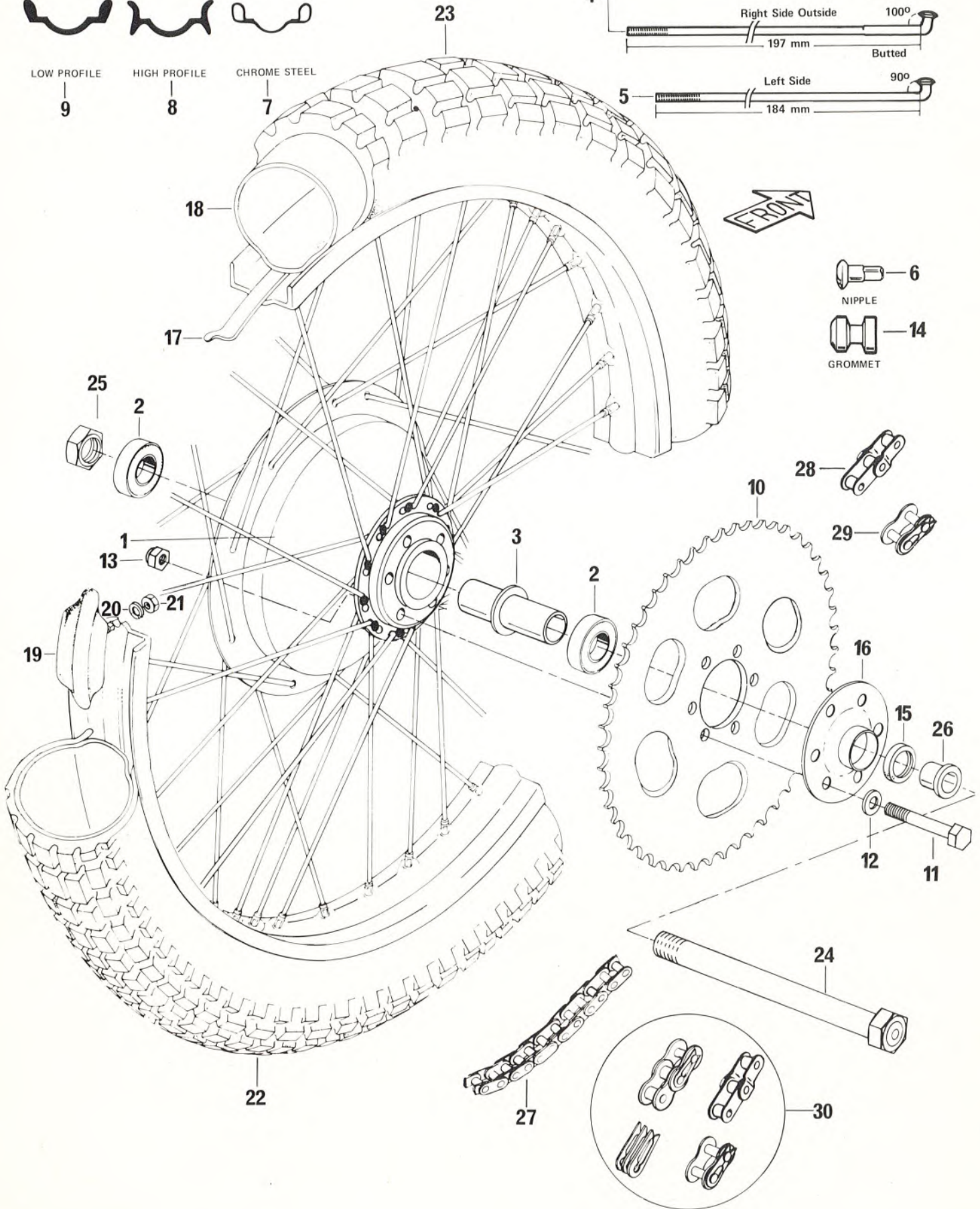
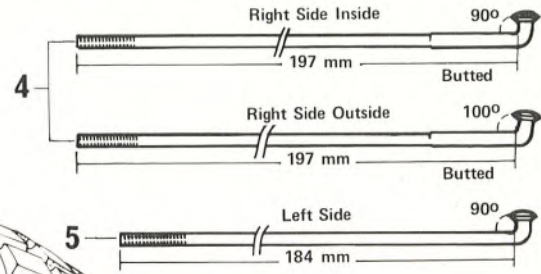
9

HIGH PROFILE

8

CHROME STEEL

7



REAR WHEEL

1975

ITEM NO	PART NUMBER	DESCRIPTION	MX-1 250	Flat Rate Time
27	743 047 000	Chain Reynolds 110054 (25 ft Roll)	opt	D.N.A.
	743 047 001	Chain Diamond A/250/148 (25 ft Roll) *	-	0.3
	743 047 002	Chain Shima ES-520	opt	D.N.A.
28	743 044 000	Half Link For Reynolds Chain 110054	opt	D.N.A.
	743 044 001	Half Link For Diamond Chain A 520/148	1	0.1
	743 044 002	Half Link For Shima Chain ES-520	opt	D.N.A.
29	743 045 000	Master Link For Reynolds Chain 110054	opt	D.N.A.
	743 045 001	Master Link For Diamond Chain A-520/148	1	0.1
	743 045 002	Master Link For Shima Chain ES-520	opt	D.N.A.
30	743 046 000	Link Kit For Reynolds Chain 110054	opt	D.N.A.
	743 046 001	Link Kit For Diamond Chain A-520/148	1	0.1
	743 046 002	Link Kit For Shima Chain ES-520	opt	D.N.A.

* Chain Length: 104 Rollers, 250 MX-1





PRINTED
IN
CANADA